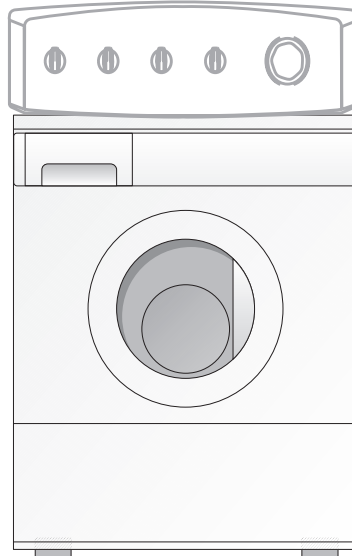


FACTORY PARTS CATALOG FRONTLOAD WASHER

Frigidaire



PRODUCT NO.	BASE MODEL NO.	COLOR
CRTR9300AS0	CRTR9300A	White

WIRING DIAGRAM - # 134093800
OWNER'S GUIDE - # 134031900
OPERATING INSTRUCTIONS - # 134165200

 **Electrolux**

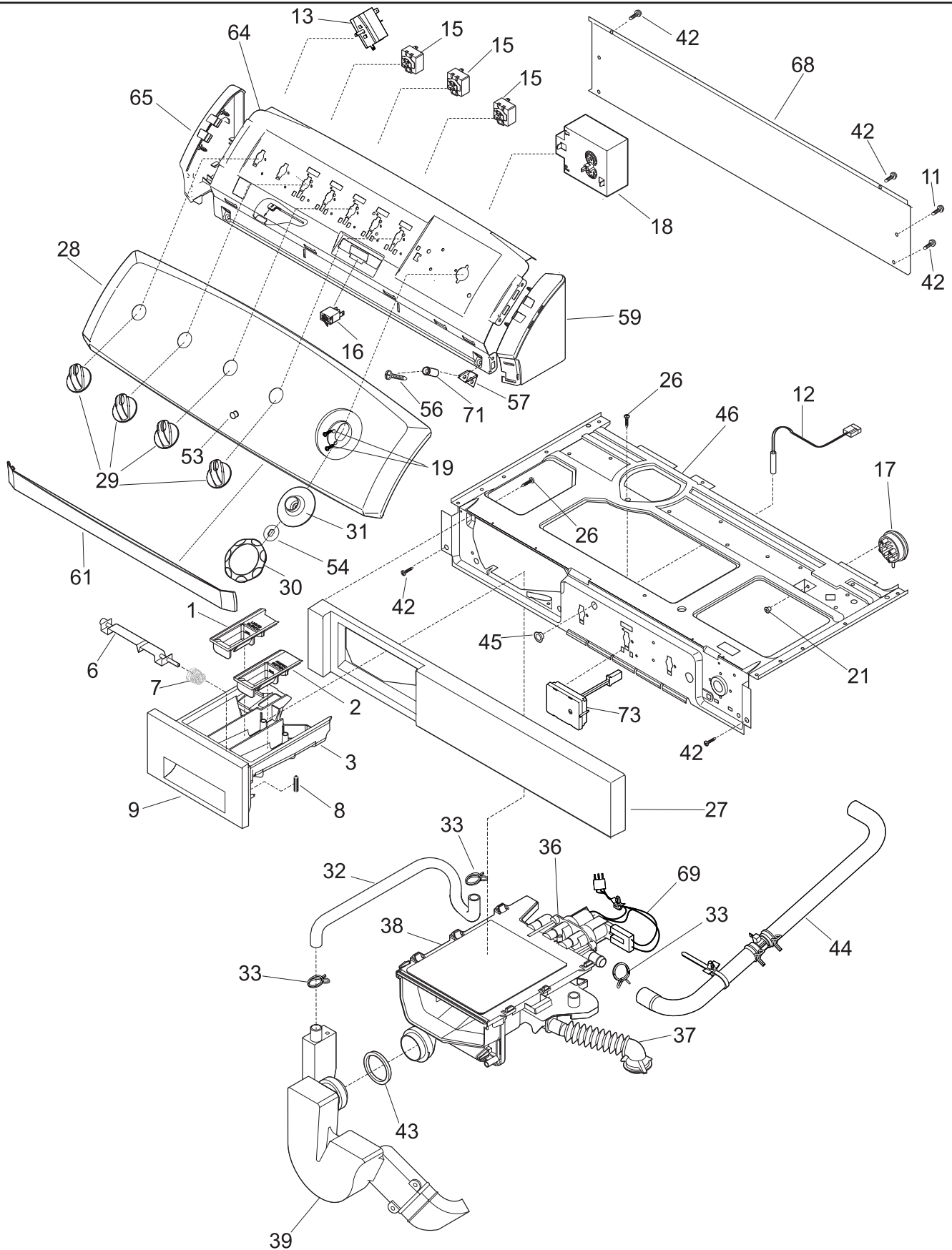
ELECTROLUX HOME PRODUCTS NORTH AMERICA
400 Des Moines St., Webster City IA 50595-1499

Publication No.
5995375846
020717
ENG/SERVICE/JAM
361

FRONTLOAD WASHER

**Model No.
CRTR9300A**

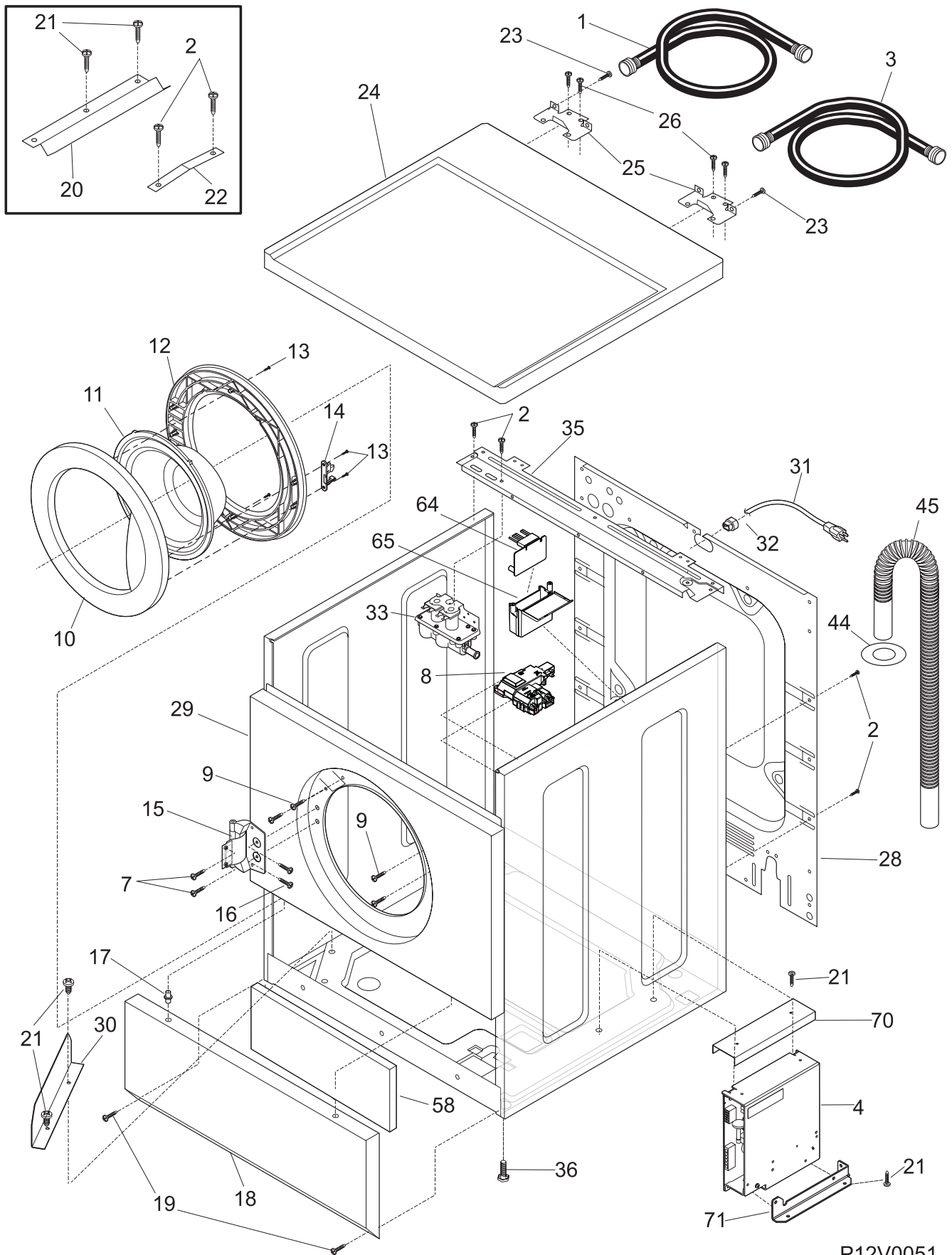
©2002 White Consolidated Industries, Inc.
All rights reserved



P12C0313FL

CONTROL PANEL

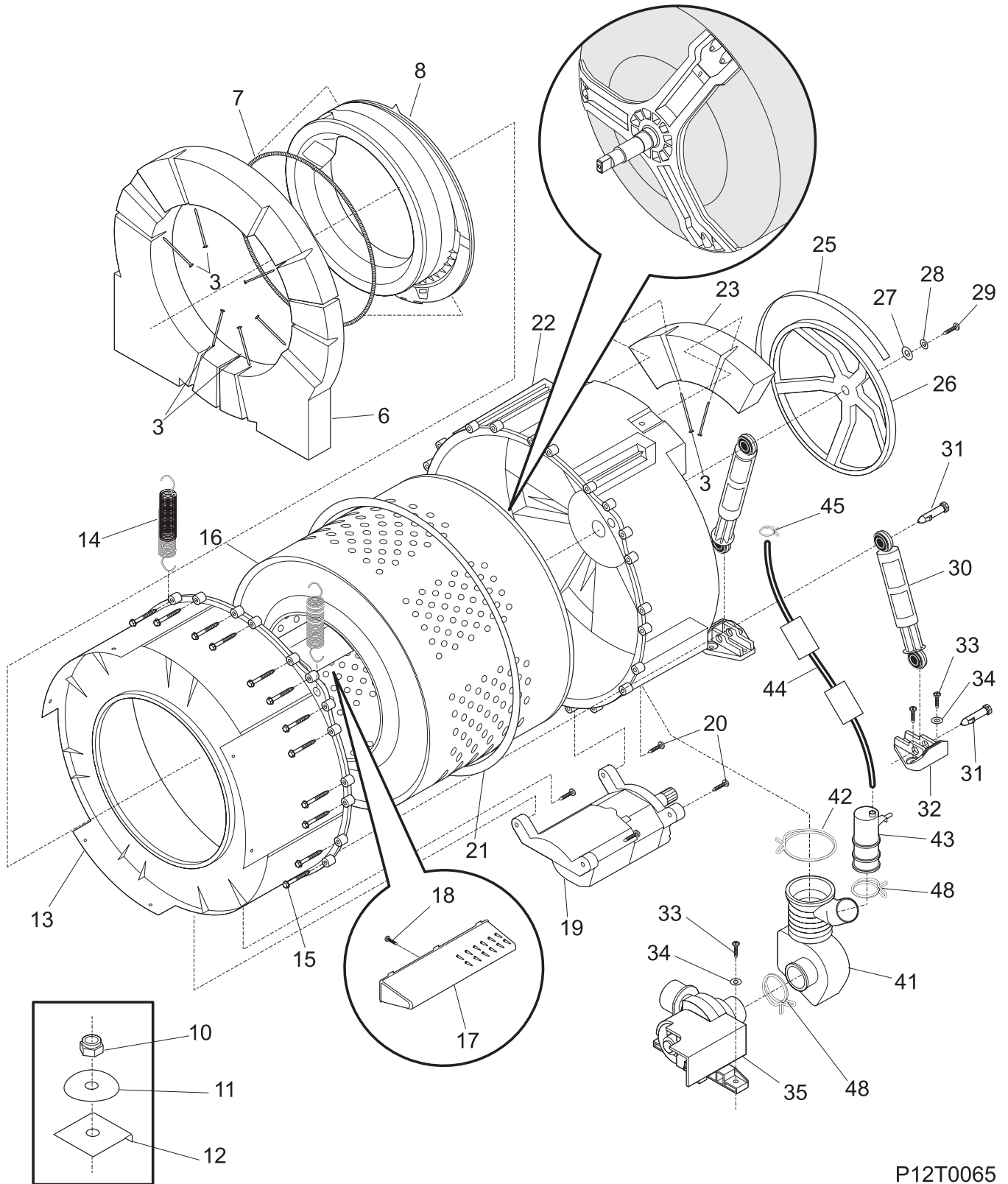
POS. NO	PART NO	DESCRIPTION
1	131272100	Cover-bleach
2	131272000	Cover-softener
3 #	131271900	Drawer-dispenser
6	131714900	Latch handle
7	131427500	Spring
8	131373800	Magnet
9	131729500	Handle-dispenser
11	131205100	Screw, #8 pan head, 10-10B x 0.50, cr/sq drive
12 #	131505901	Switch-reed
13 #	131891800	Switch-4 pos ATC
15 #	131243200	Switch-2pos temp/bzr/xtra rins
16 #	131724700	Light-pilot
17 #	131273700	Switch-pressure
18 #	134014700	Timer L TAW Washer
19	131243800	Screw-brkt top, pan hd locking, 8-32CA x 0.375, cr/sq drive
21	131243700	Screw, pan head, 8-18AB x 0.375, cr/sq drive
26	131823400	Scr 8-18 x 2.000
27	131870600	Panel-dispenser drawer
28	134155100	Trimplate CRTR9300AS
29	134034900	Knob-rotary-wht "Z" cons
30	134034800	Asmy-timer knob-white
31	134034700	Pointer-timer
32	131786100	Hose-dispenser
33	131306216	Clamp
36 #	131974700	Asmy-disp valve/seal
37	131271600	Hose-tub
38	131803700	Asmy-detergent dispenser
39	131863300	Siphon
42	131168200	Screw, 8-18 x 0.31
43	131749200	Gasket-seal
44 #	131899800	Asmy-thermistor/hose/clamp
45	5303321107	Bushing
46	131810012	Panel-cont mtg-wing bend
53	131724800	Lens-pilot light
54	5308015493	Spacer-timer shaft
56	131266310	Screw-end cap, poh ab wht hd, 8-18 x 1.250
57	131197000	Clip-control panel
59	134019600	End cap-RH-wht "Z" cons
61	134019900	Closure-front-wht "Z" cons
64	131993010	Brkt-cont mtg M520
65	134019610	End cap-LH-wht "Z" cons
68	131992900	Backsheet "Z" cons-FSD/TAW
69 #	131908000	Harness-disp valve-HAW W/ATC
71	134096100	Spacer-console mounting
73 #	131963800	Beeper cont HI w/pig tail
*	131307900	Clamp-siphon to bellows
*	131931201	Vibration dampener
* #	134092200	Harness-console
* #	131908800	Harness-rear cons TAW W/ATC



P12V0051

CABINET,DOOR &TOP

POS. NO	PART NO	DESCRIPTION
1	131279602	Asmy-Inlet Hose Cold
2	131168200	Screw, 8-18 x 0.31
3	131279603	Asmy-Inlet Hose-Hot
4 #	134058400	Controller-SCU GEN-2
7	131205300	Screw, 10-16 x .75
8	131763200	Door lock/switch USCC
9	131303300	Screw-lock, ph ab, 10-16 x .50
10	131278700	Door-outer
11	131278800	Glass-door
12	131278900	Door-inner
13	131302901	Screw, 10-16 x .75
14	131763300	Catch, door/lock sw, intr door frame
15	131269300	Hinge-door
16	131696300	Screw 10-16 x .312 quad pn hd
17	131346400	Pin-locating
18	131279300	Panel-service, white
19	131358400	Screw-panel, hwhd ab, 8-18 x 1.125
20	131460900	Bracket-top front
21	131243700	Screw, pan head, 8-18AB x 0.375, cr/sq drive
22	131279500	Retainer-spring
23	131243800	Screw-brkt top, pan hd locking, 8-32CA x 0.375, cr/sq drive
24	134086832	Panel-top wht RR cons-Alliance
25	131668200	Bracket-top pnl
26	131311900	Screw, quadrex ph ab, 8-18 x 1/2
28	131978500	Panel-back
29	131752020	Panel-front-painted white
30	131859600	Shield-overflow
31	134100800	Cord-service
32	5303209428	Bushing-cord
33 #	5303207418	Valve-water
35	131732901	Reinforcement brkt
36	131841600	Asmy-foot bolt/pad/nut
44	131707800	Ring-drain hose
45	134049200	Hose-drain
58	131800410	Noise absorber
64 #	131944900	Automatic temp cont board
65	131894600	Housing-ATC board
70	134048600	Drip shield
71	134048400	SCU mounting base



P12T0065

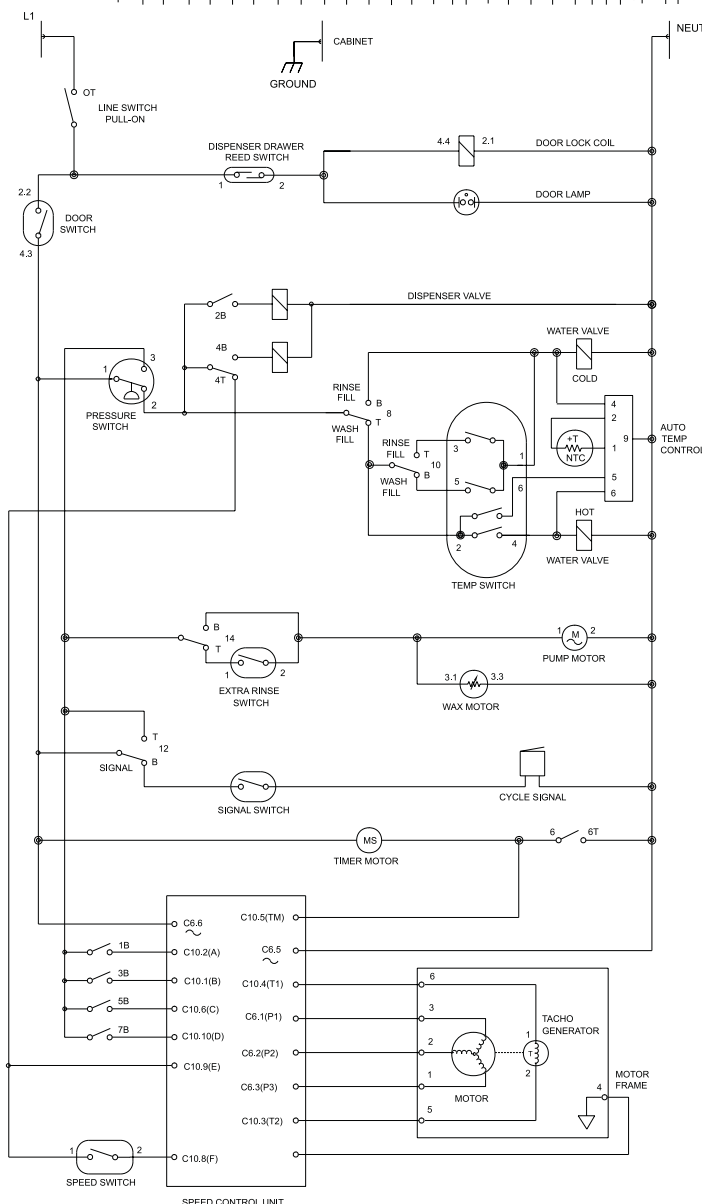
TUB & MOTOR

POS. NO	PART NO	DESCRIPTION
3	131793302	Bolt-carriage 1/4-20 x 4.0
6	131975300	One piece counterweight
7	131277300	Spring-boot
8	131277100	Bellows
10	131304700	Nut
11	131276900	Washer-spring
12	131793500	Plate-weight
13	131618600	Shell-front tub
14	131663600	Spring/sleeve
15	131303900	Screw, hxwhd a, 1/4-10 x 2.165
16	131618500	Tub-spin
17	131274600	Vane
18	131302800	Screw-vane, quad ph ab, 10-16 x .375
19 #	131770600	Motor-Sole
20	131303500	Screw-motor, hwhd ab, 12-14 x 1.50
21	134146100	O-ring-tub
22	131462800	Shell-rear/bearing
23	134125900	Counterweight-rear D
25	134051000	Belt-6 rib
26	131883400	Pulley-drum-reinforced
27	131304400	Washer .41 x 1.500 x .120
28	131304500	Washer-lock, 3/8
29	131303700	Screw-pulley, m10 x .92
30	131268200	Level-shock
31	131268300	Pin-level
32	131268100	Bracket-shock
33	131303100	Screw, hwhd ab, 10-16 x .625
34	131304300	Washer .21 x .71 x .06
35	134051100	Pump-Askoll
41	134044200	Hose-coin trap-tub to pump
42	131333101	Clamp
43	131277500	Chamber-air
44	131277600	Tube-pressure
45	131306202	Clamp
48	131306234	Clamp-pump
*	131638800	Adhesive-service tube/bellows
*	131560000	Sleeve-lower spring, tub

WIRING DIAGRAM

TERM. NO.	CIRCUIT	REGULAR					OFF	QUICK WASH			OFF	EASY CARE			OFF	DELICATE & HAND WASH CYCLE			OFF
		HEAVY WASH	MED WASH	LIGHT WASH	RINSES & SPINS	FINAL SPIN	WASH	RINSES & SPINS	FINAL SPIN	WASH	RINSES & SPINS	FINAL SPIN	WASH	RINSES & SPINS	FINAL SPIN				
0/0	DETENT																		
0	1	MACHINE POWER																	
1	23	22																	
2	5	24																	
3	23	4																	
4	5	6																	
5	23	19																	
6	11	21																	
7	23	7																	
8	14	9																	
9	23	10																	
10	17	12																	
11	23	13																	
12	20	15																	
13	23	17																	
14	19	15																	
14	19	10																	
14	19	12																	
14	19	16																	
14	19	18																	
14	19	10																	
14	19	12																	
14	19	7																	
14	19	9																	
14	19	21																	
14	19	22																	
14	19	24																	

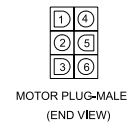
* CIRCUIT NOT USED IN ALL MODELS.
STEP TIME (MIN.)



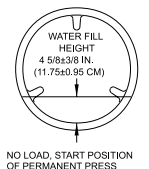
ELECTRICAL COMPONENT	RESISTANCE Ω @ 77°F (25°C)
WATER VALVE SOLENOIDS	880 ±10%
DOOR LOCK SOLENOID	380 ±10%
TIMER MOTOR	2425 ±6%
PUMP MOTOR	15 ±7%
DISPENSER VALVE SOLENOIDS	1100 ±7%
MOTOR	
M1 TO M2	2.6 ±7%
M2 TO M3	2.6 ±7%
M1 TO M3	2.6 ±7%
M5 TO M6	184 ±7%

	CIRCUIT			
WASH/ RINSE	1-3	1-5	2-6	2-4
H/C			X	X
W/C*		X	X	X
C/C*		X	X	X
W/W*	X	X	X	X
REG C/C		X	X	X
REG W/C		X	X	X
REG W/W	X	X	X	X

H=HOT W=WARM C=COLD
REG=REGULATED X=CLOSED
*OPTIONAL (NOT IN ALL MODELS)

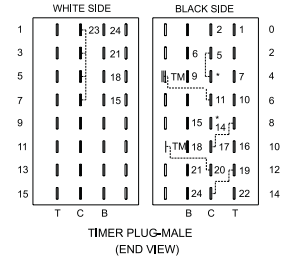


⊥	CONNECTION
+	NO CONNECTION
⏏	CABINET GROUND
⏏	LOCAL GROUND



CIRCUIT	1-2
NORMAL	X
FAST	

X = CONTACTS CLOSED



WARNING TO REDUCE THE RISK OF ELECTRICAL SHOCK DISCONNECT THIS APPLIANCE FROM THE POWER SUPPLY BEFORE ATTEMPTING ANY USER MAINTENANCE. TURNING THE CONTROLS TO THE OFF POSITION DOES NOT DISCONNECT THIS APPLIANCE FROM THE POWER SUPPLY.

WIRING DIAGRAM
P/N 134093800 A