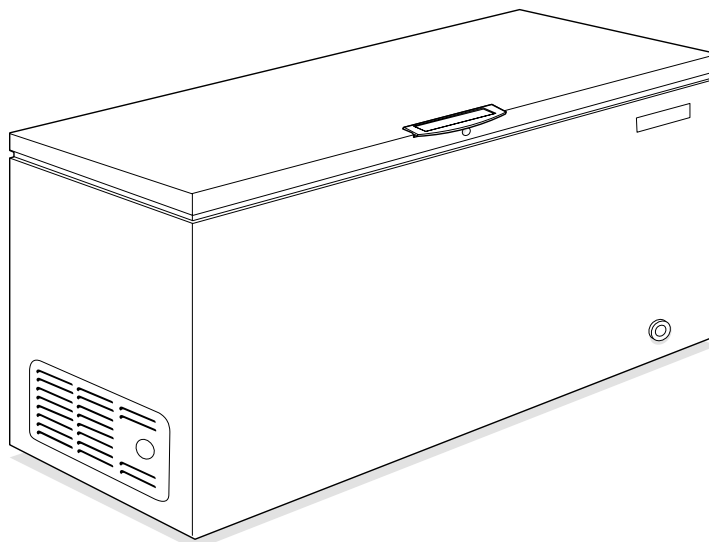


FACTORY PARTS CATALOG FREEZER

Frigidaire



PRODUCT NO.	BASE MODEL NO.	SERIES	COLOR	VOLTS
FFC09C4AW1	FFC09C4AW	134A	white	115
FFC13C4AW1	FFC13C4AW	134A	white	115
FFC15C4AW1	FFC15C4AW	134A	white	115
MARKET				
North America				

WIRING DIAGRAM - # 216787900-216803900
 OWNER'S GUIDE - # 216802800
 SERVICE DATA SHEET - #216787900-216803900

 **Electrolux**

ELECTROLUX HOME PRODUCTS NORTH AMERICA
 P.O BOX 212378, AUGUSTA , GA 30917

Publication No.
 5995362653
 011218
 -EN/SERVICE /BLT
 365

CHEST FREEZER

Model numbers:

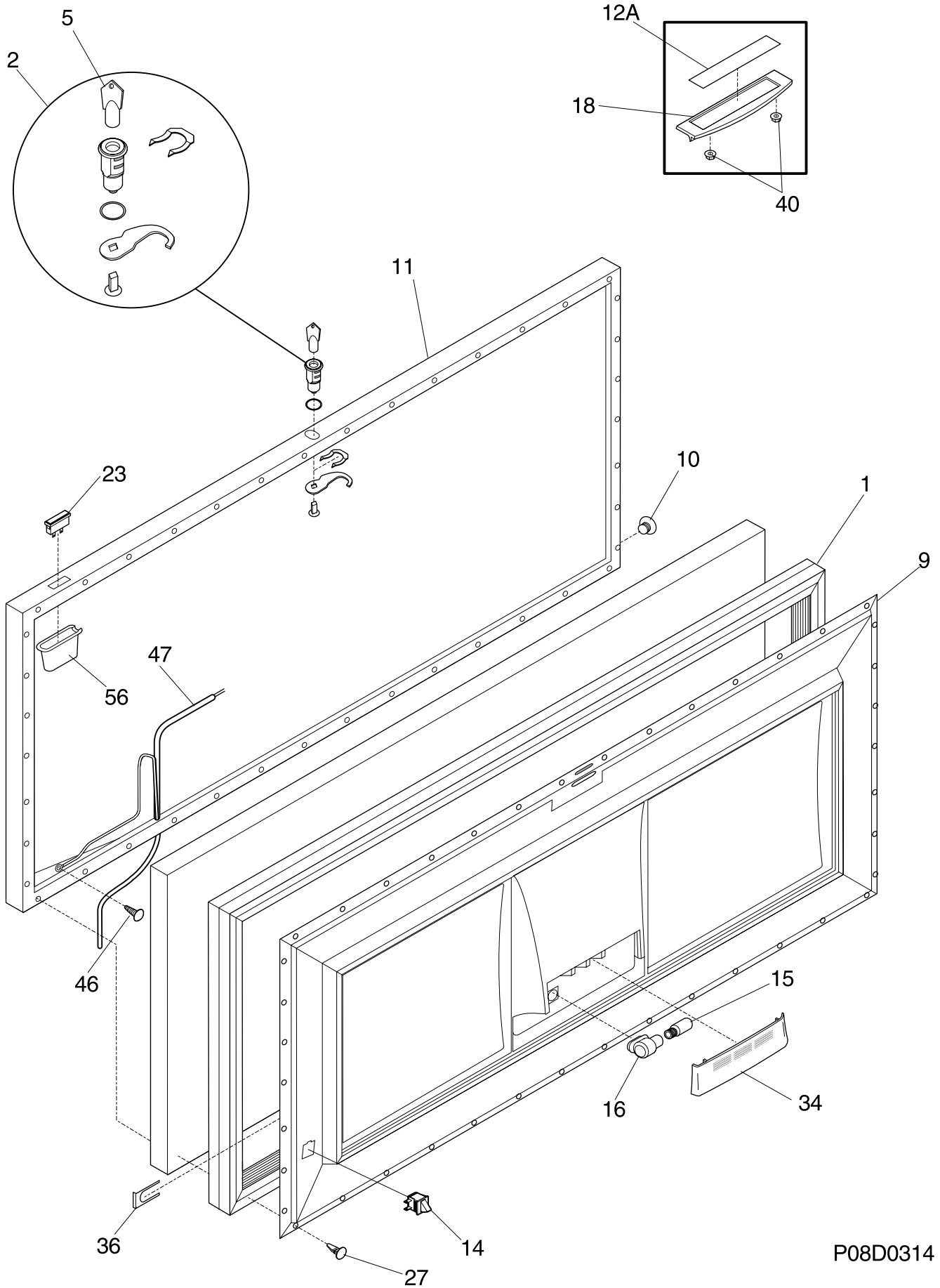
FFC09C4AW

FFC13C4AW

FFC15C4AW

©2001 White Consolidated Industries, Inc.
 All rights reserved

DOOR



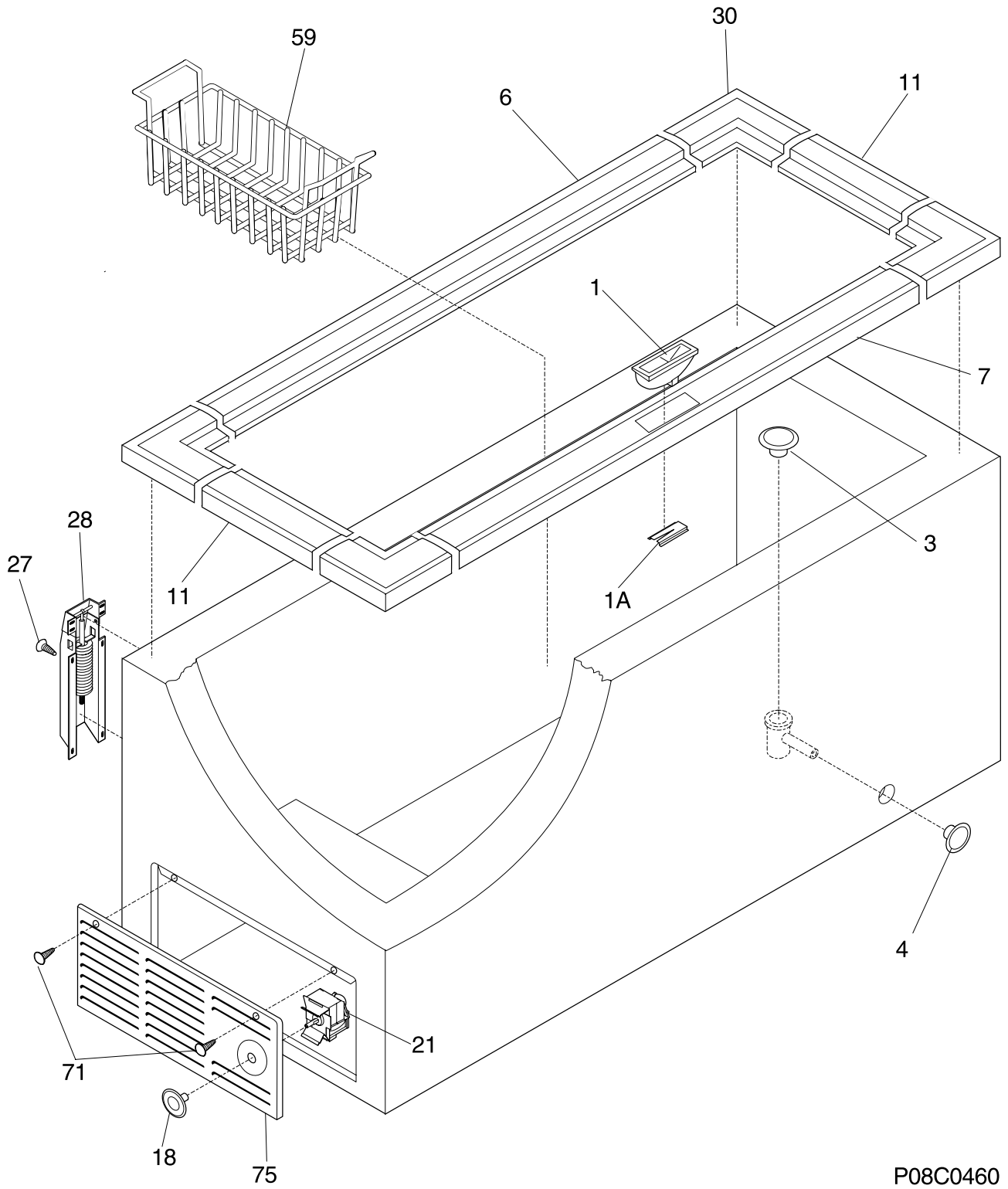
P08D0314

DOOR

A = FFC09C4A (FFC09C4AW1)
B = FFC13C4A (FFC13C4AW1)
C = FFC15C4A (FFC15C4AW1)

POS. NO	PART NO		DESCRIPTION
1	216481001	A - -	Gasket-door,white
1	216481101	- B -	Gasket-door,white
1	216481201	- - C	Gasket-door,white
2	5303925107	A B C	Lock Assy
5 #	216702900	A B C	Key,lock
9	216829800	A - -	Panel-lid
9	216828904	- B -	Panel-lid
9	216829104	- - C	Panel-lid
10	216141101	A B C	Plug button,white
11	216117929	A - -	Panel-lid
11	216129821	- B -	Panel-lid
11	216129920	- - C	Lid,white
12A	216816801	A B C	Nameplate
14	216822900	A B C	Light/Lamp,ramp
15 #	216608600	A B C	Lamp,light bulb ,40 W , 120 V
16	216817600	A B C	Light/Lamp,indicator
18	216446600	A B C	Handle
23	5308002706	A B C	Light-signal,amber
27	5303212828	A B C	Clip,panel
34	216160400	A B C	Shield-light
36	5306599968	A B C	Plate,backup ,light switch
40	5309948647	A B C	Fastener,handle
46	216707800	A B C	Screw,PH ,8-32 x 1/2 ,wiring harness
47	216819800	A - -	Harness-lid/defrost
47	216819900	- B C	Harness-lid/defrost
56	216694200	A B C	Sealing cap
*	5303917276	A - -	Insulation-door, fiberglass ,(bulk)
*	5303925098	- B C	Insulation
*	5309948955	A B -	Clip-panel

CABINET



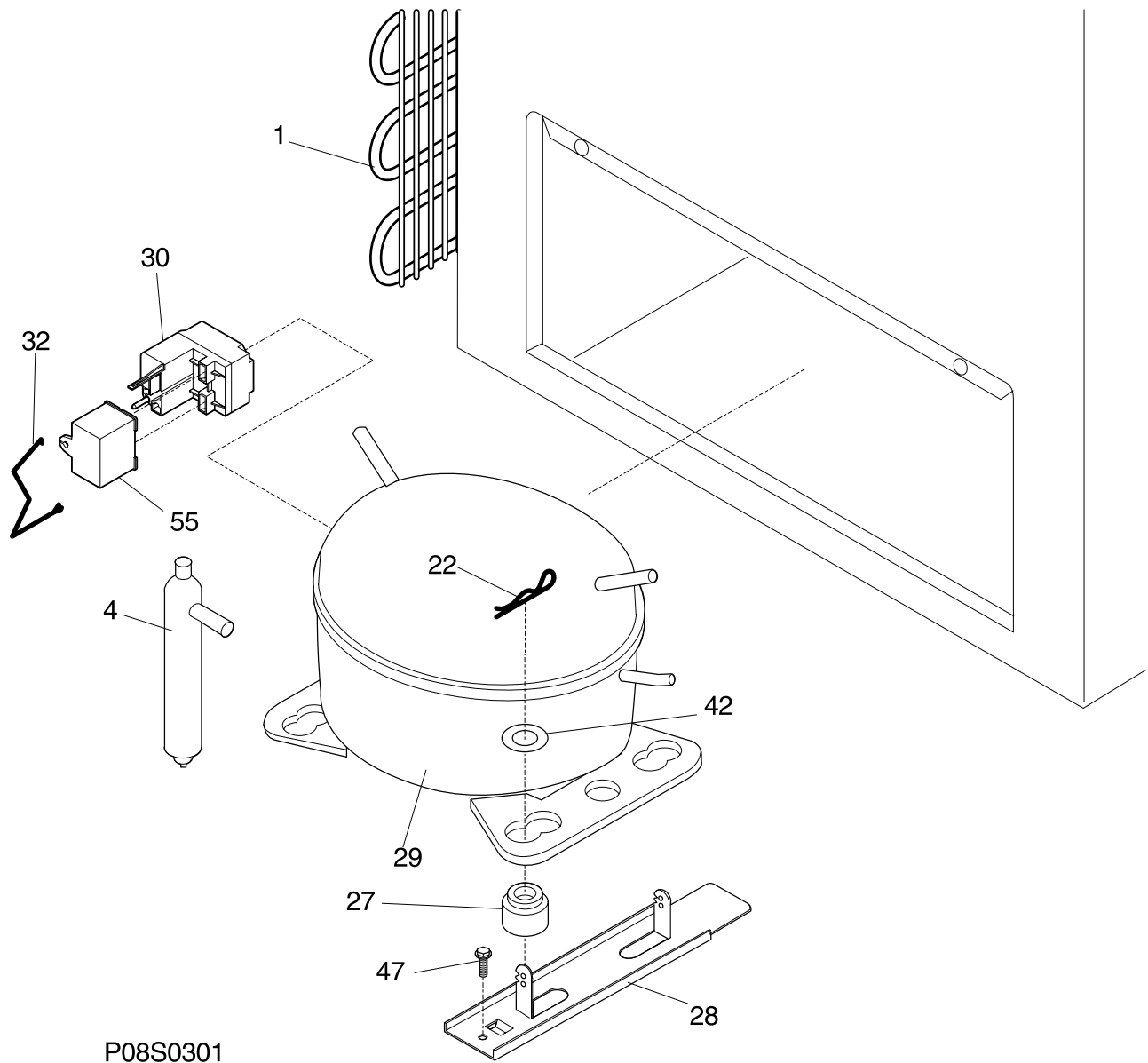
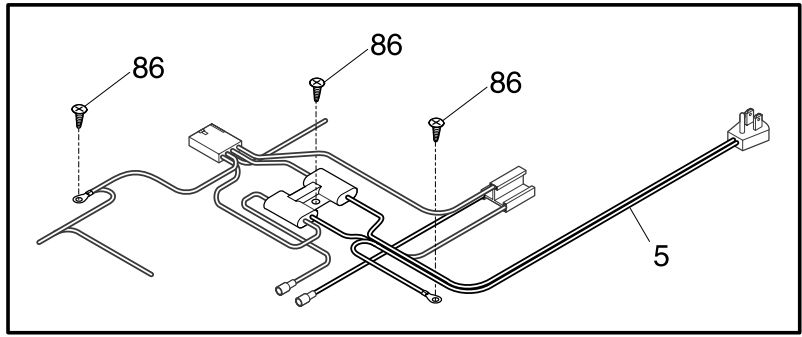
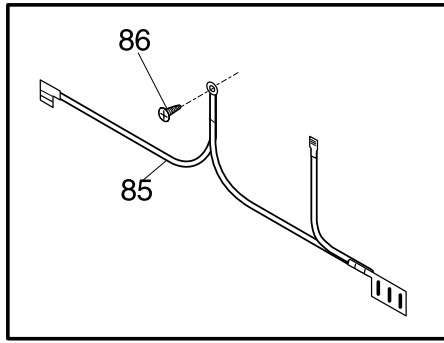
P08C0460

CABINET

A = FFC09C4A (FFC09C4AW1)
B = FFC13C4A (FFC13C4AW1)
C = FFC15C4A (FFC15C4AW1)

POS. NO	PART NO		DESCRIPTION
1	216117700	A - -	Catch-lock
1	5303208488	- B C	Latch-door
1A	216818900	- B C	support-lock
3	216502600	A B C	Plug-drain, interior, interior
4	216073905	A B C	Plug-drain, exterior
6	216117500	A - -	Breaker-hinge side, white
6	216110900	- B -	Breaker
6	216111000	- - C	Breaker, hinge side
7	216117600	A - -	Breaker-lock side
7	216111500	- B -	Breaker, lock side
7	216111600	- - C	Breaker, lock side
11	216105600	A - -	Breaker-ends, white
11	216110800	- B C	Breaker, white ,ends
18	216707200	A B C	Knob-control cold
21 #	216787700	A - -	Control-temperature
21 #	216714600	- B C	Control-temperature
27	216337700	A B -	Screw, hex washer head , 10-24 x 0.500
27	216629600	- - C	Screw-hinge
28	216478800	A - -	Hinge Assy
28	216039600	- B -	Hinge
28	216035200	- - C	Hinge
30	216105500	A - -	Breaker-corners, white
30	216110700	- B C	Breaker, white ,corners
59	216078600	A - -	Basket
59	216080300	- B C	Basket
71	5303302714	A B C	Screw, 8-18x3/4 ,(2)
75	216782000	A - -	Panel-access, white
75	216034301	- B C	Panel-access, white
*	216802800	A B C	Owners guide
*	5303305324	A B C	Paint, touch-up, white

SYSTEM



P08S0301

SYSTEM

A = FFC09C4A (FFC09C4AW1)
B = FFC13C4A (FFC13C4AW1)
C = FFC15C4A (FFC15C4AW1)

POS. NO	PART NO		DESCRIPTION
1 #	5300120781	A - -	Condenser
1 #	5303925238	- B C	Condenser
4	216634500	A B C	Drier-filter
5	216830600	A - -	Harness-main
5	216806900	- B C	Harness-main
22	216056400	A B C	Clip-spring mtg
27	5308002681	A B C	Grommet,compressor
28	5303212615	- B C	Support-compressor
29 #	216784200	A - -	Compressor,w/o electricals
29 #	216784300	- B C	Compressor,w/o electricals
30	216649314	A - -	Controller
30	216649313	- B C	Controller
32	216649200	A B C	Clip,controller
42	216232700	- B C	Washer-flat
47	216337700	A B -	Screw,hex washer head ,10-24 x 0.500
47	216629600	- - C	Screw-hinge
55 #	216787800	A B C	Capacitor-run
85	216533500	- B C	Wire,ground
86	216707700	A - -	Screw,8-18 X 1/2
86	216036600	- B C	Screw,rwhd (gx-ca) ,8-32 x 1/2
*	5303212614	- B C	Clip-harness