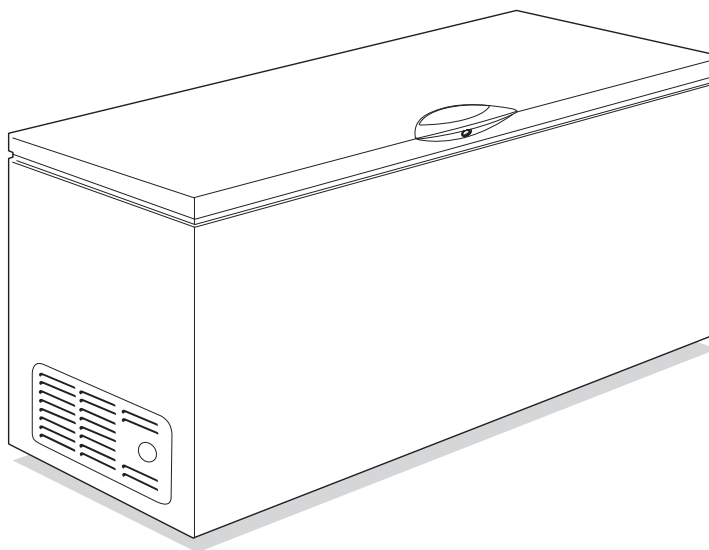


# FACTORY PARTS CATALOG FREEZER

*Frigidaire*

 Electrolux



PRODUCT NO.	BASE MODEL NO.	SERIES	COLOR	VOLTS
FFC18C8CW0	FFC18C8CW	134A	white	115
<b>MARKET</b>				
North America				

WIRING DIAGRAM - # 216902100  
OWNER'S GUIDE - # [216802800](#) / ENERGY GUIDE - # 216794306  
SERVICE DATA SHEET - # 216902100

**CHEST FREEZER**

**Base Model:**

**FFC18C8CW**

 **Electrolux**

ELECTROLUX HOME PRODUCTS, INC.  
P.O BOX 212378, AUGUSTA , GA 30917

Publication No.

5995392957

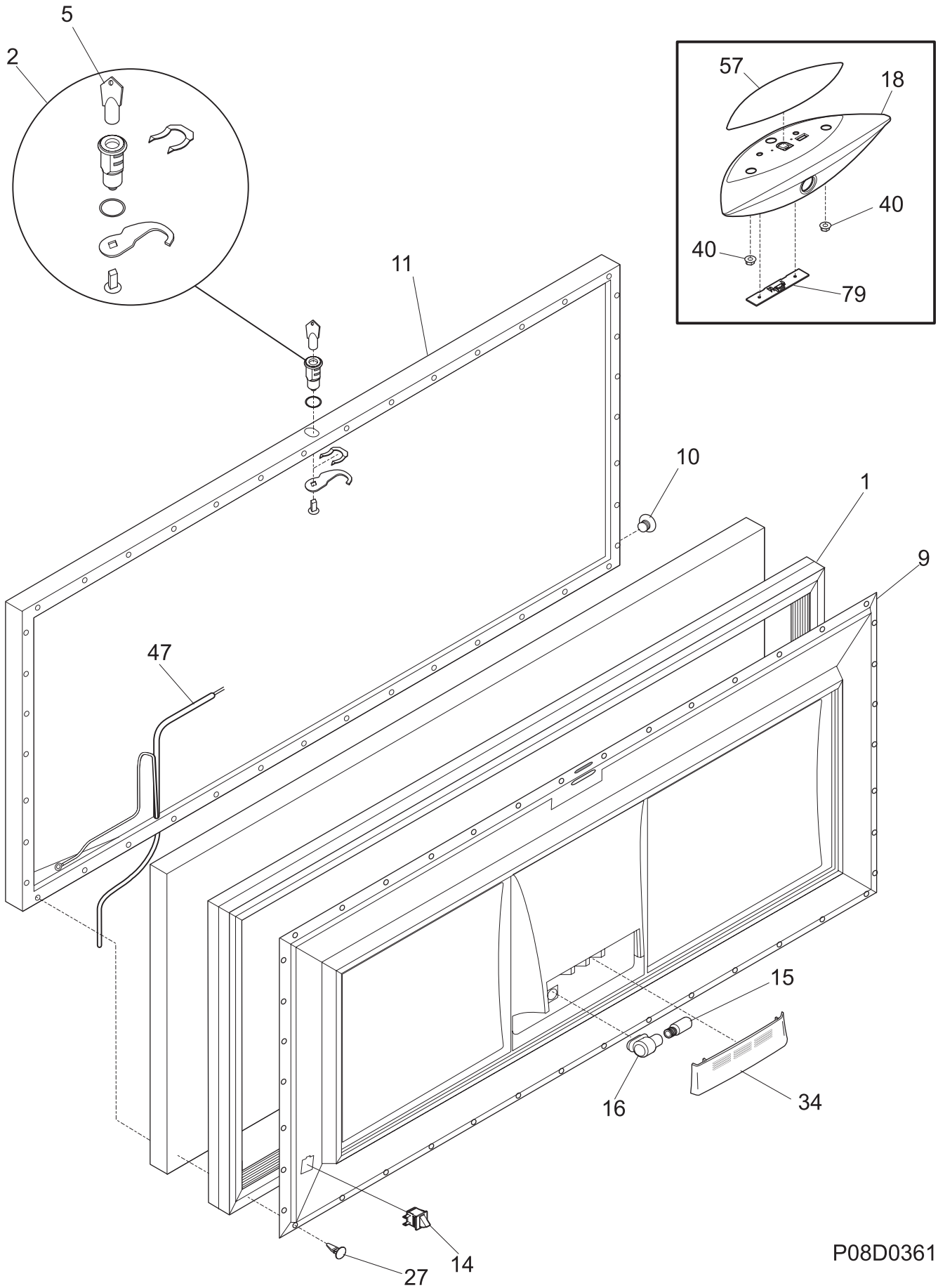
030721

-EN/SERVICE /MLR

365

©2003 Electrolux Home Products, Inc.  
All rights reserved

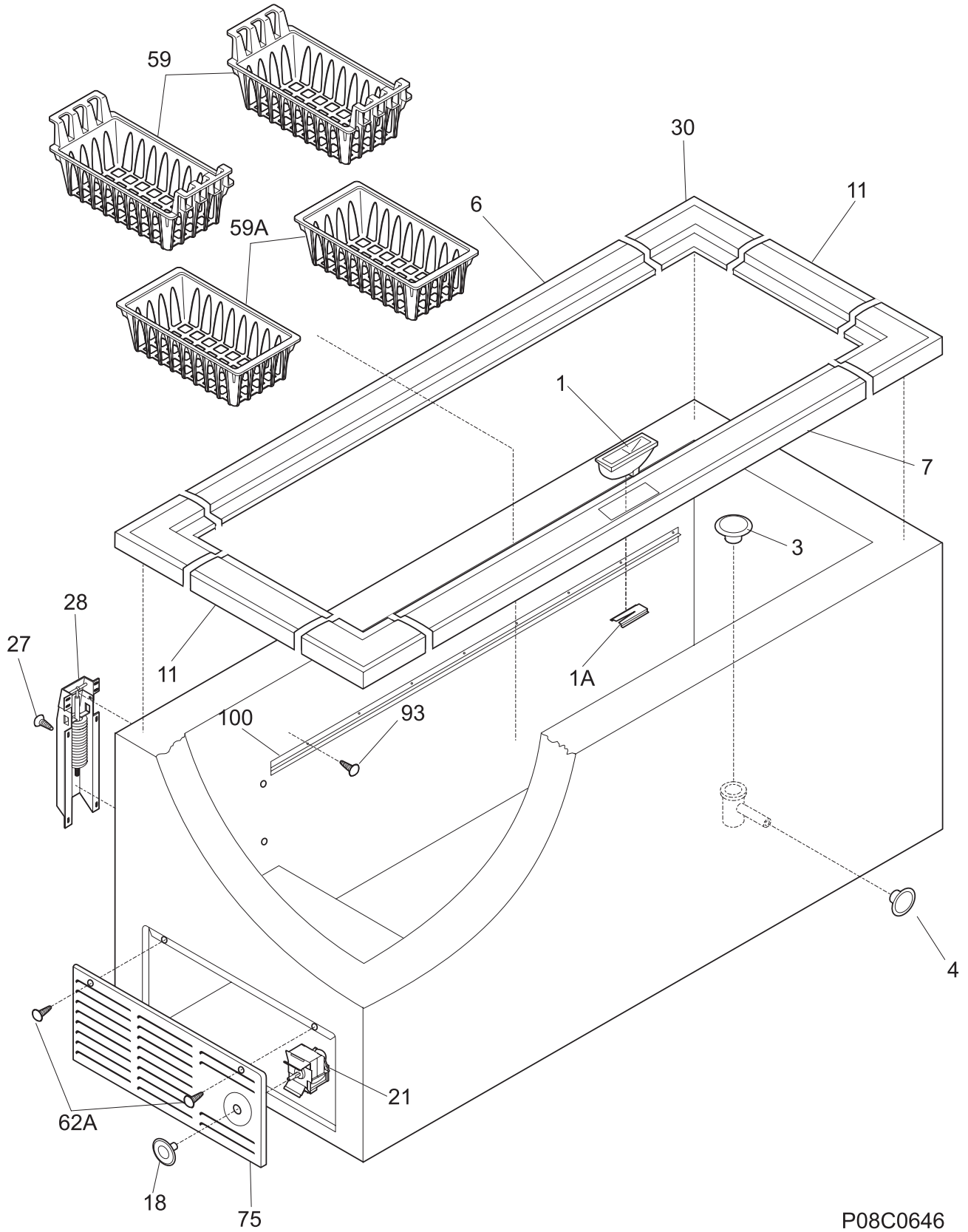
DOOR



## DOOR

POS. NO	PART NO	DESCRIPTION
1	216481301	Gasket-door,white
2	5303925107	Lock Assy
5 #	216702900	Key,lock
9	216893202	Panel-inner doorlid,white
10	216141101	Plug button,white
11	216130022	Panel-outer doorlid,white
14	216822900	Switch,light/lamp ,ramp
15	216846400	Light Bulb/Lamp
16	216817600	Socket,light/lamp ,25 W
18	216897600	Handle,white
27	5303212828	Clip,panel mtg
34	216578502	Shield,light
40	5309948647	Fastener,handle
47 #	216889600	Harness-lid
57	216899500	Overlay,white
79 #	216898700	Control Board,electronic
*	216905300	Screw,control board ,#3-24 x .25

CABINET

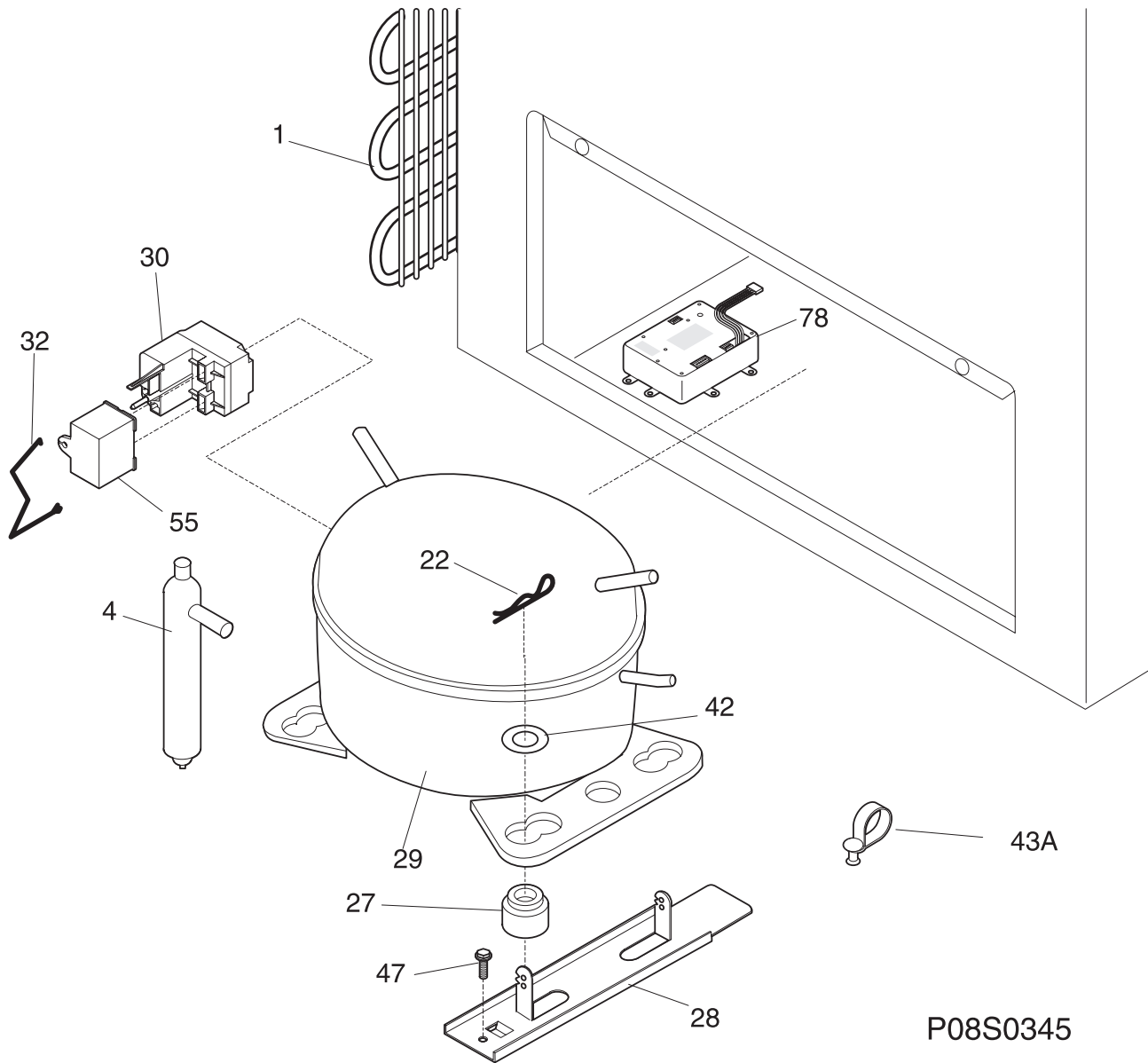
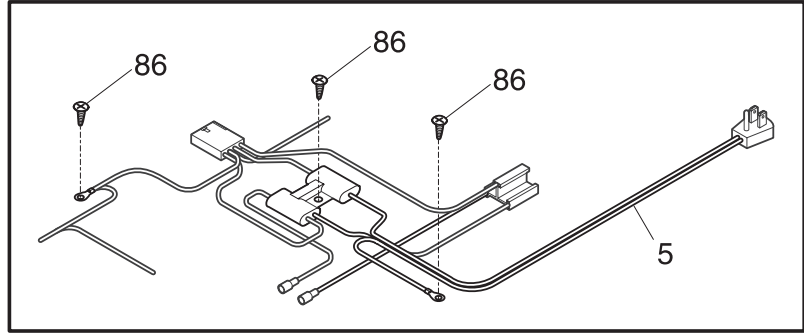


P08C0646

## CABINET

POS. NO	PART NO	DESCRIPTION
1	216909800	Catch-lock,white
1A	216818900	Support,lock catch clip
3	216502600	Plug,drain ,interior
4	216073905	Plug-drain,exterior
6	216111100	Breaker
7	216111700	Breaker,lock side
11	216110800	Breaker,chest end ,(2)
18	216707200	Knob,temp control
21 #	216844500	Control-temperature
27	216629600	Screw,hex washer head ,10-16 x 0.500 ,tapping
28	216035300	Hinge
30	216110700	Breaker,corners
59	216916200	Basket,upper ,(2)
59A	216867400	Basket,lower ,(2)
62A	131420300	Screw,cr truss head ,8-18AB x 0.750
75	216034301	Panel,access ,white
93	5303161215	Screw,ph truss head ,8-18AB x 0.500
100	216205102	Track-basket
*	216794306	Energy Guide
*	5303305324	Paint,touch-up ,white

SYSTEM



P08S0345

## SYSTEM

POS. NO	PART NO	DESCRIPTION
1 #	5303280307	Condenser
4	216634500	Drier-filter
5 #	216890300	Harness-main
5 *	216890200	Harness,low voltage- ,w/thermistor
22	216056400	Clip,compressor mtg ,SPRING
27	5308002681	Grommet,compressor
28	5303212615	Support,compressor
29 #	216784500	Compressor,w/o electricals
30	216649300	Controller-regulator LP
32	216649100	Clamp,elec cont mtg ,compressor
42	216232700	Washer,flat ,1"OD x 0.531"ID
43A	5303212614	Clip,harness mount
47	216629600	Screw,hex washer head ,10-16 x 0.500 ,tapping
55 #	218909901	Capacitor,run ,50/60 Hz ,220 VAC ,15 microfarad
78	216893100	Assy-High Voltage
86	216036600	Screw,ph washer head ,8-32CA x 0.500 ,thread forming
*	5303298960	Spacer-tube,0.237" ID