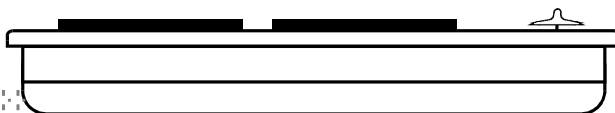
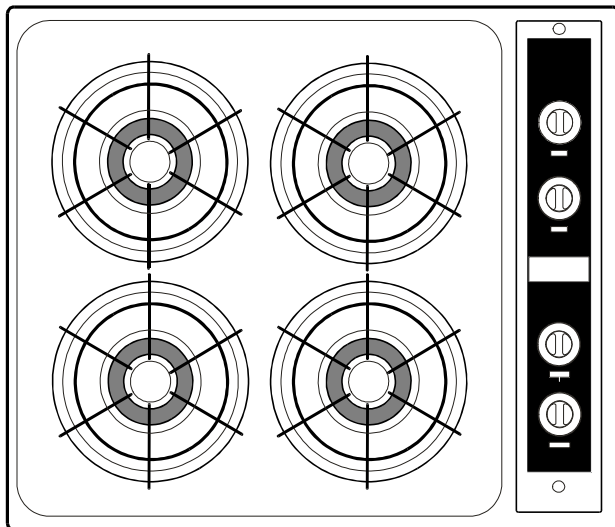


# FACTORY PARTS CATALOG GAS COOKTOP

# FRIGIDAIRE



PRODUCT NO.	FACTORY NO.	COLOR	MARKET
FGC26C3HWA	3775411140011	WHITE	U.S.A.
FGC26C3HDA	3775411140031	ALMOND	U.S.A.
FGC26C3HCA	37754111400C1	CHROME	U.S.A.

WIRING DIAGRAM # - 318047105  
OWNER'S GUIDE # - 318068140  
INSTALLATION INSTR. # - 318201404

 **FRIGIDAIRE**  
**HOME PRODUCTS**

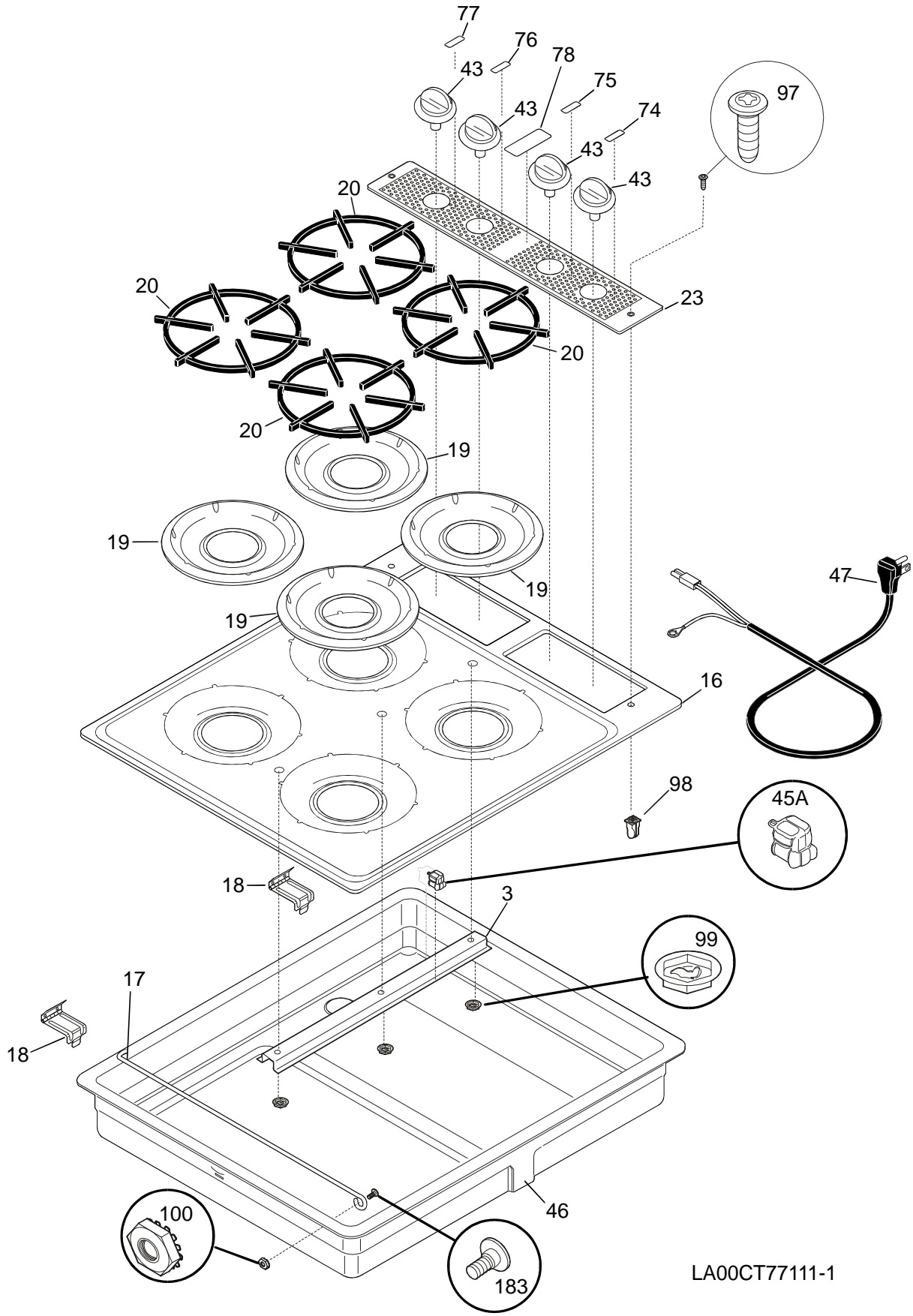
FRIGIDAIRE HOME PRODUCTS  
7075 ORDAN DRIVE  
MISSISSAUGA, ONTARIO  
CANADA, L5T 1K6  
TEL: (905) 565-9200

Publication No.  
5995332334  
000124  
-EN/SERVICE  
377

**GAS COOKTOP**

Model No.  
**FGC26C3H**

©1998 White Consolidated Industries,  
Inc.



LA00CT77111-1

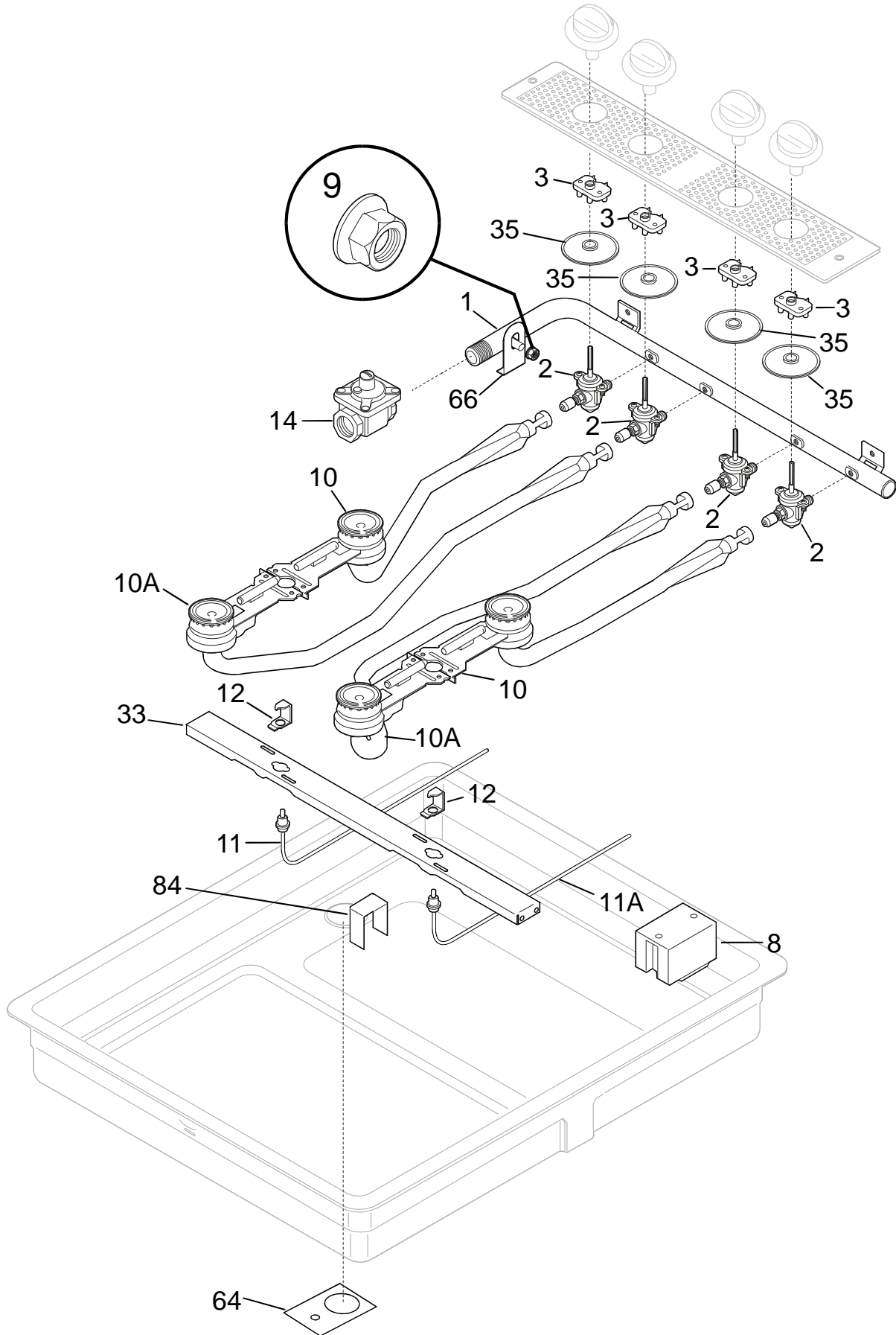
## COOKTOP

A= FGC26C3H (FGC26C3HWA)

B= FGC26C3H (FGC26C3HDA)

C= FGC26C3H (FGC26C3HCA)

POS. NO.	PART NO.	A	B	C	DESCRIPTION
3	5303305547	A	B		Channel-top stiffener
16	318159105	A			Main Top white
16	318159106		B		Main Top almond
16	318159104			C	Main Top chrome
17	3016817	A	B	C	Rod-maintop support
18	318074310	A	B	C	Hinge-maintop (2)
19#	318067300	A	B	C	Pan-burner black
20	316040807	A	B	C	Grate
23	318021400	A	B	C	Panel-control
43	318164713	A	B	C	Knob-control black
45A	3201437	A	B	C	Strain relief
46	318077301	A	B	C	Burner Box
47#	5303311311	A	B	C	Cord,electric
74	318101504	A	B	C	Plate-control, LF
75	318101505	A	B	C	Plate-control, RF
76	318101506	A	B	C	Plate-control, LR
77	318101507	A	B	C	Plate-control, RR
78	318075801	A	B	C	Nameplate
97	5303300265	A	B	C	Screw, 8-18 X 1/2
98	5303326255	A	B	C	Grommet, plastic
99	5303324192	A	B		Nut
100	5303325982	A	B	C	Nut, 10-32
183	5304410665	A	B	C	Shoulder screw, 10-32 X 5/8



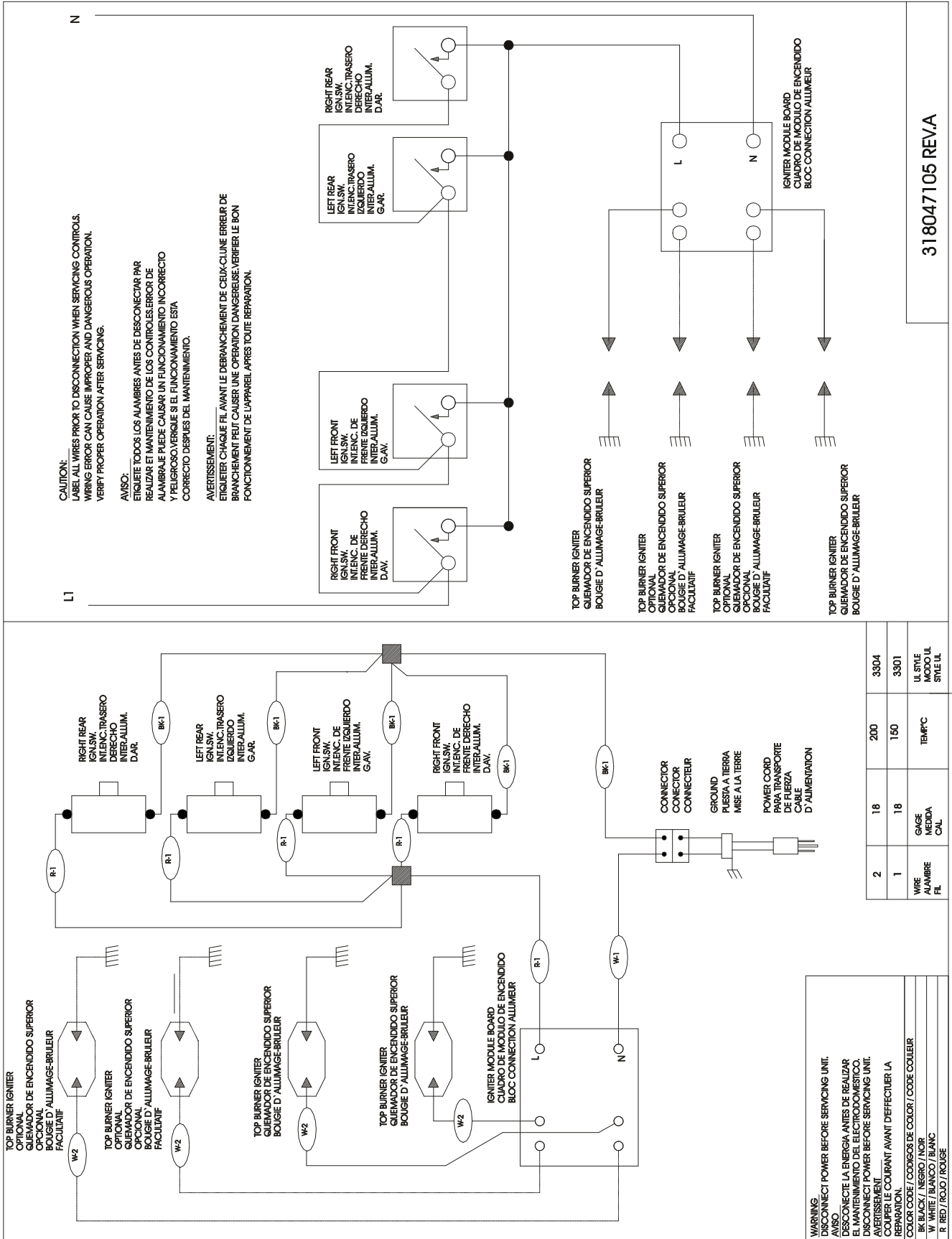
LA00BR77111-1

A= FGC26C3H (FGC26C3HWA)

B= FGC26C3H (FGC26C3HDA)

C= FGC26C3H (FGC26C3HCA)

POS. NO	PART NO				DESCRIPTION
1 #	5303294450	A	B	C	Manifold Pipe
2 #	318087030	A	B	C	Valve-top burner
3 #	316032001	A	B	C	Switch-igniter
8 #	5303912606	A	B	C	Spark Module
9	5303311307	A	B	C	Nut, angle, 1/4-20
10#	318176300	A	B	C	Burner Assy-front
10A #	318176301	A	B	C	Burner Assy-back
11#	318148500	A	B	C	Ignitor-top burner, base, 7.25"
11A#	318148501	A	B	C	Ignitor-top burner, base, 16.25"
12	3016993	A	B	C	Retainer-igniter
14 #	5308007974	A	B	C	Regulator-pressure
33	5303294764	A	B	C	Channel-burner support
35	318146300	A	B	C	Bushing
64	5303294750	A	B	C	Retainer/bracket
66	5303294765	A	B	C	Angle, manifold pipe, mtg
84	5303294763	A	B	C	Bracket-support
*	08016432	A	B	C	Screw, 8-18 X 3/8
*	5303311306	A	B	C	Screw, 8-18 X3/8
*	5303311532	A	B	C	Screw, 6-32 X 1/4
*	5303324191	A	B	C	Washer
*	5304403070	A	B	C	Screw, 6-32 X 5/16





# FACTORY PARTS CATALOG

## ELECTRIC RANGE

**WIRING DIAGRAM # - 316002069**

FRIGIDAIRE HOME PRODUCTS  
7075 ORDAN DRIVE  
MISSISSAUGA ONTARIO  
CANADA L5T1K6  
TEL (905)565-9200

**ELECTRIC - RANGE**

**Model No.  
GEF357CB**







BODY

---

