

Induction RTCS 3.5 kW Models

Countertop/ Built-In Line/ Module-Line Single Hob & Wok

Parts List

Counter-top models

BH/BA.....*single baby hob*

SH/BA.....*single cook-top*

SH/WO.....*wok*

SH/MU.....*digital control*

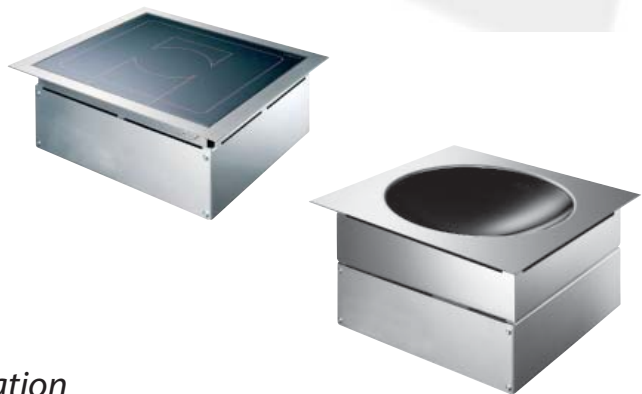


Built-In Line models

SH/IN.....*single cook-top*

SH/WO/IN....*wok, Standard Model*

SH/WO/IN....*wok, Designer Series Pasta Station*



Module-Line models

MO/WO.....*wok (generator IN/MO/WO)*



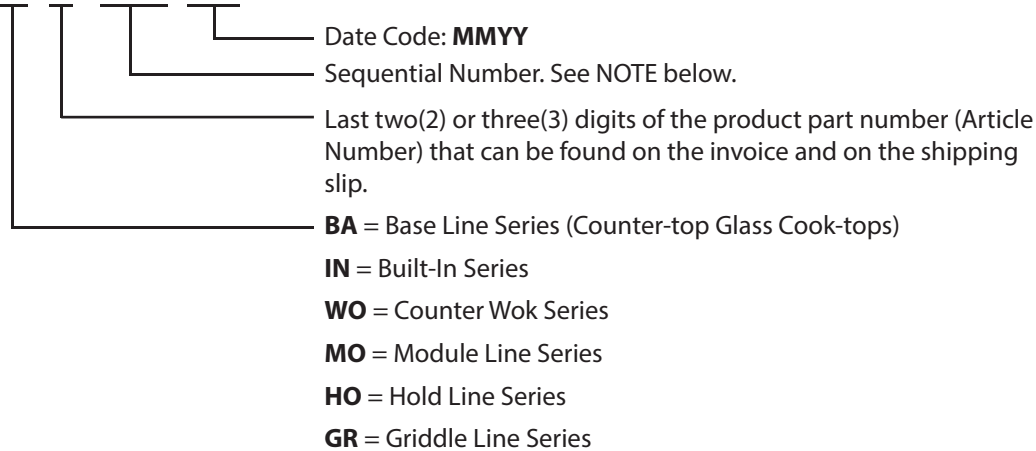
Rating Plate Location



Serial Number (S/N) Explained

The serial number of your unit is listed on the rating plate.

Example: IN 01 . 00014 . 1213



NOTE: non-RTCS / RTCS / RTCSmp models

- A non-RTCS/RTCSmp unit has a 4-Digit Sequence Number.
- A RTCS or RTCSmp unit has a 5-Digit Sequence Number.
- A RTCSmp unit is indicated as such on the Rating Plate.

Nomenclature and Models

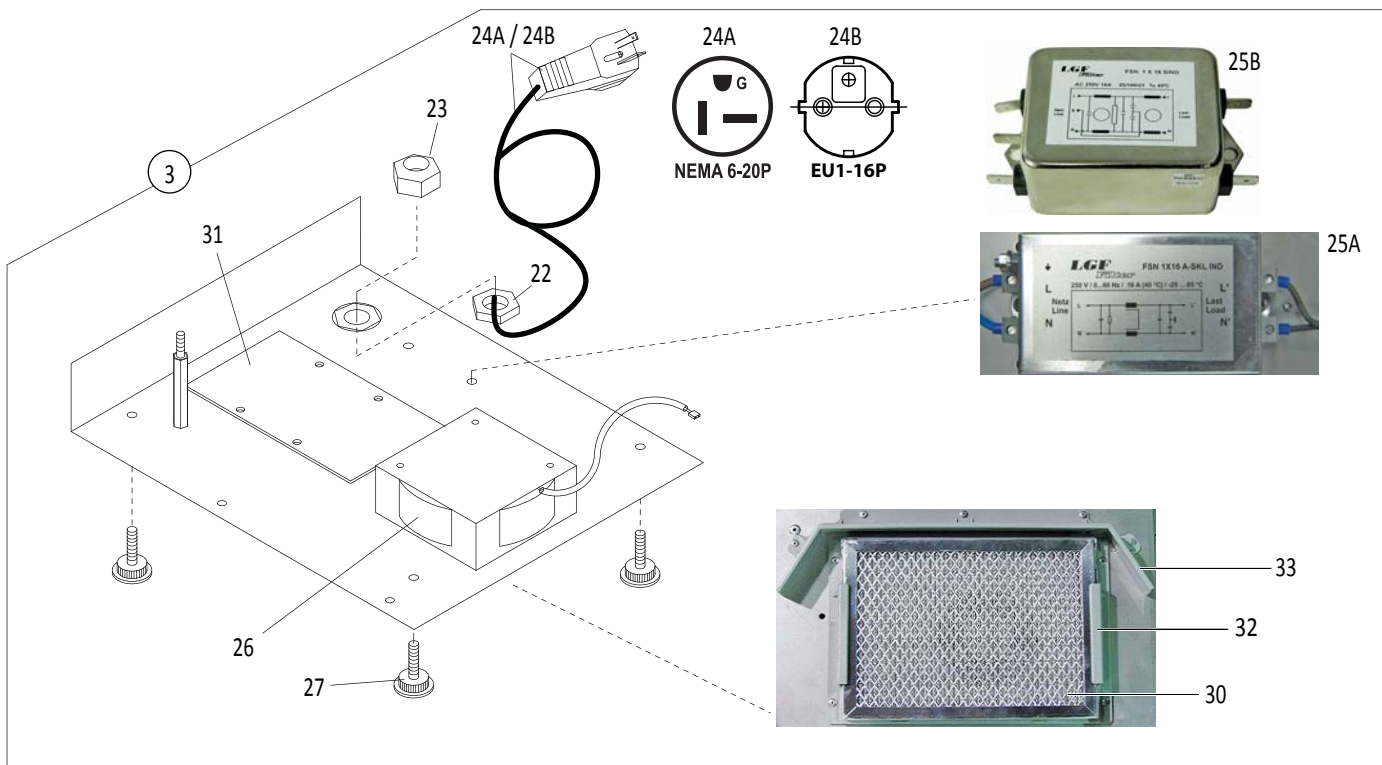
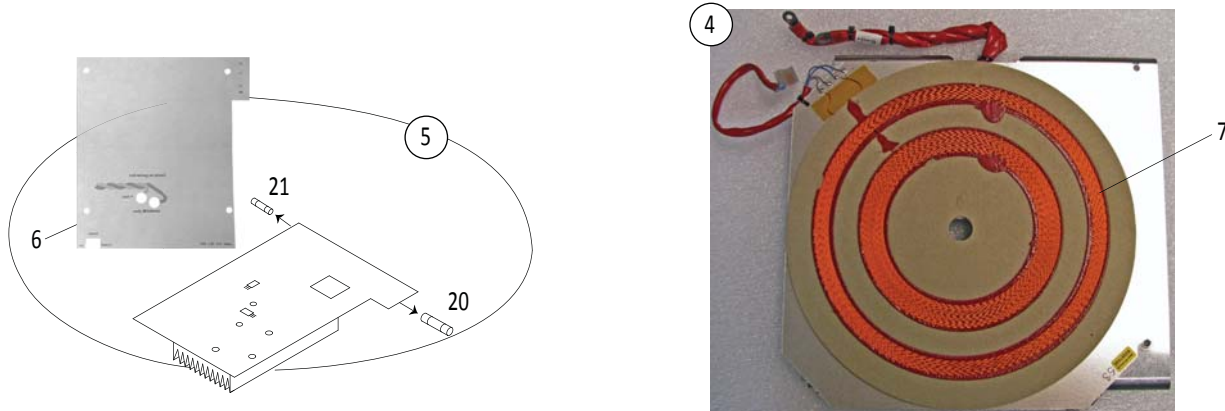
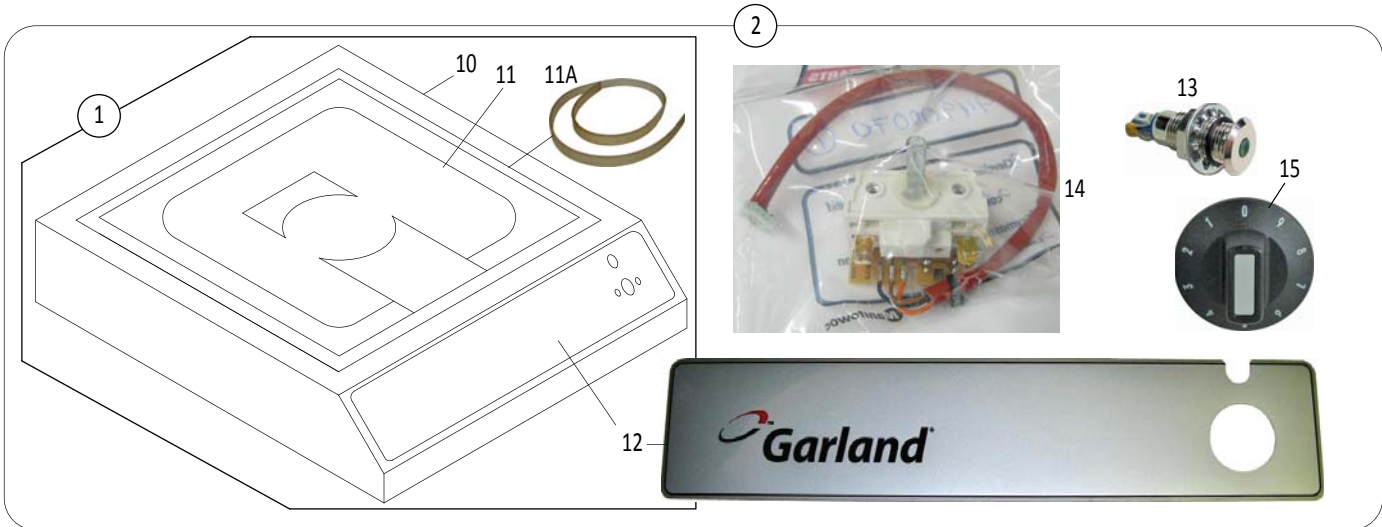
Series	Function	Built-in	Power (Watt)	Models*
BH = Baby Hob	BA = Base Line		1800, 2500, 3500	BH/BA 1800, BH/BA 2500, BH/BA 3500
SH = Slim Hob	BA = Base Line		2500, 3500, 5000	SH/BA 2500, SH/BA 3500, SH/BA 5000
		IN = Built-In Line	2500, 3500, 5000	SH/IN 2500, SH/IN 3500, SH/IN 5000
	WO = Wok Line		3500, 5000, 8000	SH/WO 3500, SH/WO 5000, SH/WO 8000
	WO = Wok Line	IN = Built-In Line	3500, 5000, 8000	SH/WO/IN 3500, SH/WO/IN 5000, SH/WO/IN 8000
	MU = Multi Line		5500	SH/MU 5500
MO = Module-Line	WO = Wok Line		3500 5000 8000	MO/WO 3500 (with Generator model IN/MO/WO 3500) MO/WO 5000 (with Generator model IN/MO/WO 5000) MO/WO 8000 (with Generator model IN/MO/WO 8000)

* Please refer to other part manuals for RTCS 1.8/2.5/5.0/8.0kW models.

Table of Contents

Rating Plate Location	2
Serial Number (S/N) Explained	2
Nomenclature and Models	2
Counter Cook-Top Single Baby Hob BH/BA 3500	4
Counter Cook-Top Single Hob SH/BA 3500	6
Counter Wok SH/WO 3500	8
Counter Multi-Function (Digital Control) Line, SH/MU3500 or GMIU 3.5kW	10
Built-In Line Single Hob SH/IN 3500	12
Built-In Line Wok SH/WO/IN 3500	14
Built-In Line Wok SH/WO/IN 3500 for Pasta Station F18MR68R-BP (DIPS68")	16
Built-In Line Wok SH/WO/IN 3500 for Pasta Station F18RC93-BPL (DIPS93")	18
Module-Line Wok MO/WO 5000 (Standard Model)	20
Repair Accessories	22
Cooking Accessories	23

Counter Cook-Top Single Baby Hob BH/BA 3500



99560109 99560110 99560111

Induction RTCS Counter Cook-Top Single Baby Hob, 3.5kW

models

208V: BH/BA 3500, 3.5kW 16A 60Hz 1Phase, Article No. 99560109

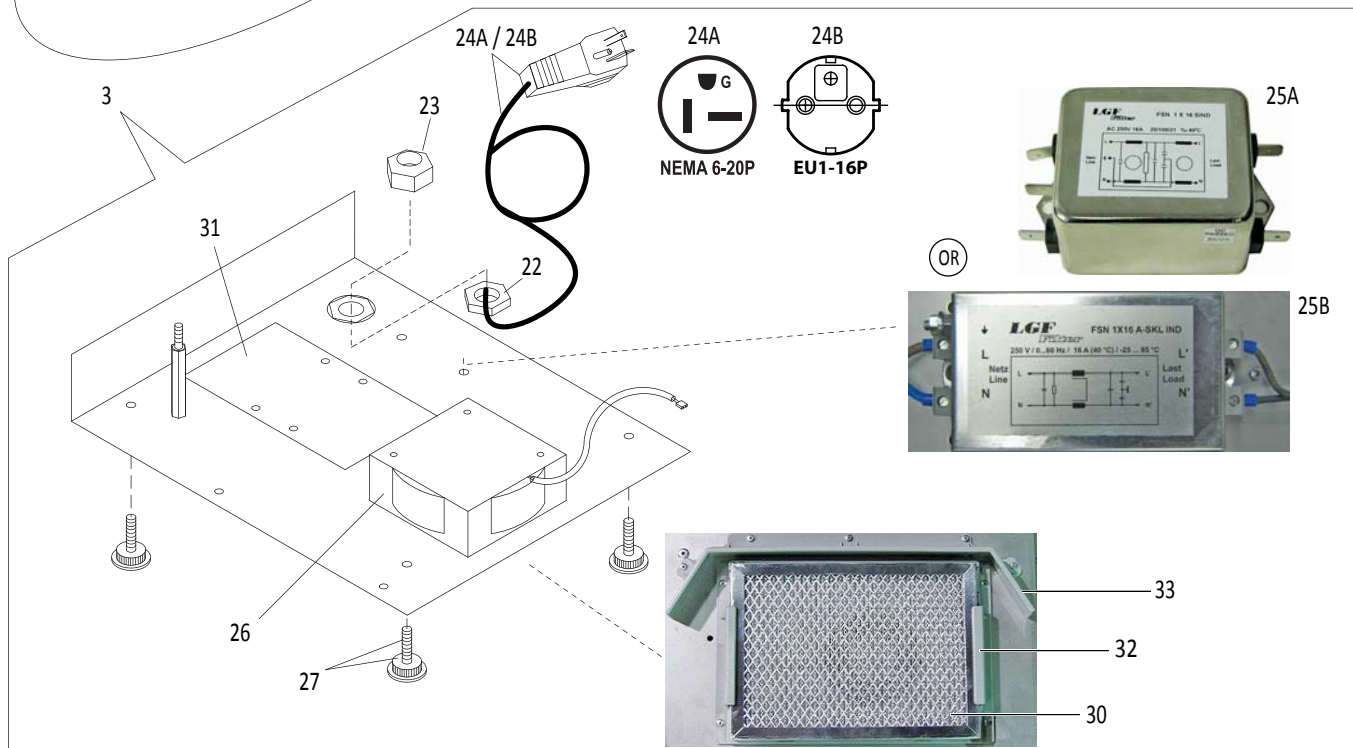
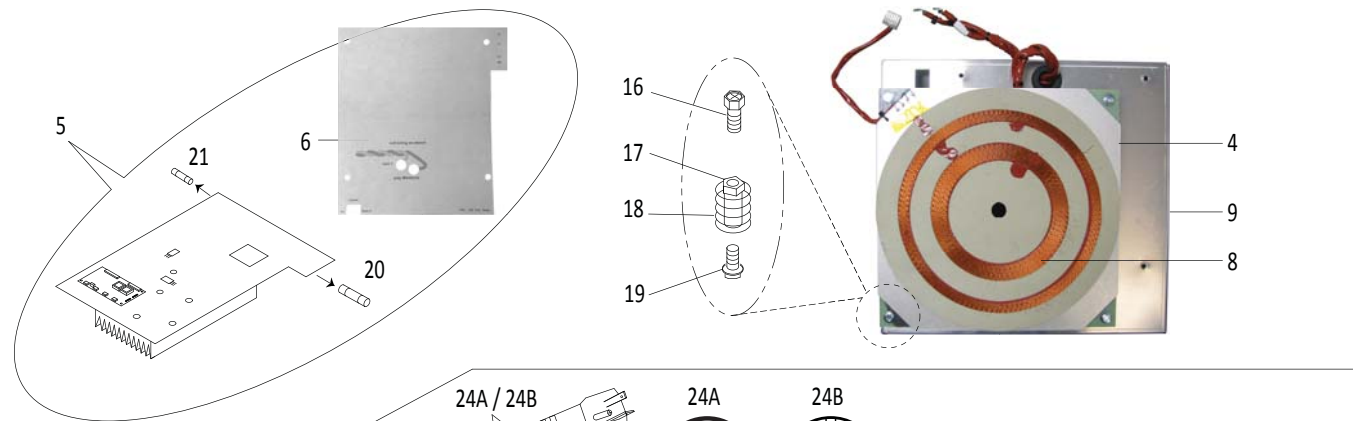
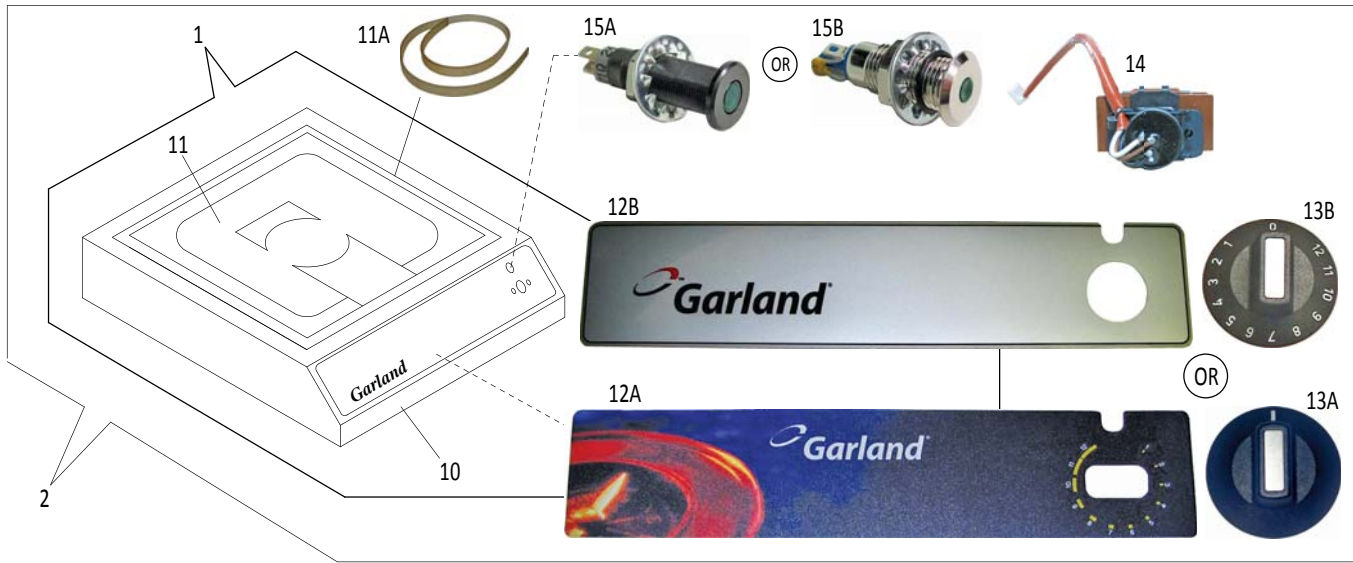
230V: BH/BA 3500, 3.5kW 15A 50Hz 1Phase, Article No. 99560110

240V: BH/BA 3500, 3.5kW 14A 60Hz 1Phase, Article No. 99560111

Item	Part Number	Description	Quantity			R C*
			208V	230V	240V	
1	98300100	Upper Case BH/BA Assembly (Includes items 10, 11 & 12)	1	1	1	
2	98300031	Case Complete Top BH/BA Assembly (Includes items 1, 13, 14 & 15)	1	1	1	
3	98200003	Base Assembly (Includes items 22 - 28 & 30 - 33)	1	1	1	
4	93061040	Induction Coil #61.04 with RTCS CU Sensors and metal carrier	1	1	1	RC
5	98021721	Power Board 2.5 kW & 3.5 kW (I217 Version). Includes items 6, 20 & 21.	1		1	RC
	98021703	Power Board Complete Assembly 2.5-3.5kW. Includes items 6, 20 & 21.		1		RC
6	72291131	Protective Sheet	1	1	1	
7	94040050	CU1/CU2 Sensors NOTICE: When replacing the CU sensor only, ensure to initialize with a short circuit plug (P/N 94900096, see Repair Accessories). Refer to service manual for instructions.	1	1	1	RC
10	72184020	Upper Case "BH/BA"	1	1	1	
11	77262001	Ceran Glass 260 x 260 x 4mm	1	1	1	RC
11A	70000001	Silicone Gasket (for glass installation) 250x 6x 4mm	4	4	4	RC
12	66000000	Overlay	1	1	1	
13	35624009	LED 24V Green - Chrome	1	1	1	R
14	94900070	Step Switch With Cable	1	1	1	RC
15	39400003	Knob 0-9	1	1	1	R
20	34120159	Fuse SUT 15Amps 250V-6.3x32	2	2	2	RC
21	34110019	Fuse T1.0A	1	1	1	RC
22	39500003	Screw Nut PG 16	1	1	1	
23	39500009	Screwed Cable Gland PG 16	1	1	1	
24A	38614035	Mains Cable with Plug USA Type NEMA 6-20P	1		1	RC
24B	38615030	Mains Cable with Plug EU 1-16P		1		RC
25A	39311603	Mains Line Filter 16A	1	-	1	
25B	39311602	Mains Line Filter 16A	-	1	-	
26	94090011	Radial Fan 24V DC	1	1	1	RC
27	95000120	Foot Complete Assembly, Adjustable	4	4	4	R
30	71000003	Air Intake Filter 200x 150x 12mm	1	1	1	R
31	72291120	Heat Sink Pad 215 x 98 x 5 mm	1	1	1	
32	72261030	Frame for Air Intake Filter	1	1	1	R
33	72142470	Air Deflector	1	1	1	R

* R=Recommended Stock Part / C=Critical Part

Counter Cook-Top Single Hob SH/BA 3500



99560004 99560005 99560006

Induction RTCS Counter Cook-Top Single Hob, 3.5kW

models

208V: SH/BA 3500, 3.5kW 16A 60Hz 1Phase, Article No. 99560004

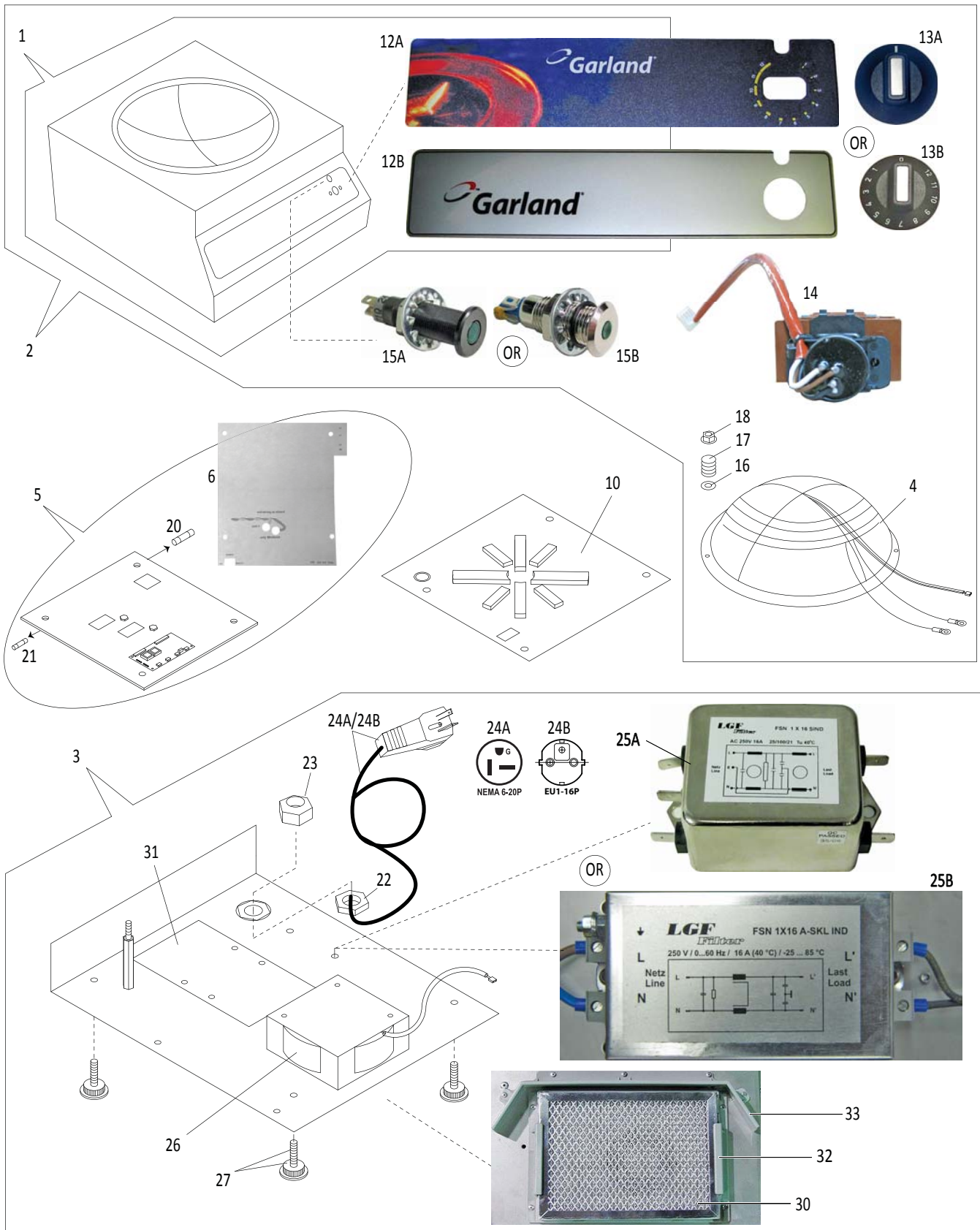
230V: SH/BA 3500, 3.5kW 15A 50Hz 1Phase, Article No. 99560005

240V: SH/BA 3500, 3.5kW 14A 60Hz 1Phase, Article No. 99560006

Item	Part Number	Description	208V	230V	240V	R C*
1	98300101	Upper Case SH/BA Assembly (Includes items 10, 11, 11A & 12)	1	1	1	
2	98300032	Case Complete Top SH/BA Assembly (Includes items 1, 13, 14 & 15)	1	1	1	
3	98200027	Base Assembly (Includes items 22 - 28, 30 - 33)	1	1	1	
4	93003080	Induction Coil #3.08 includes CU Sensors	1	1	1	R C
5	98021721	Power Board 3.5kW (I217 Version). Includes items 6, 20 & 21.	1	-	1	R C
	98021703	Power Board Complete Assembly 2.5-3.5kW. Includes items 6, 20 & 21.	-	1	-	R C
6	72291131	Protective Sheet	1	1	1	
8	94040050	CU1/CU2 Sensors NOTICE If replacing the CU sensor only, ensure to initialize with a short circuit plug (P/N 94900096, see Repair Accessories). Refer to service manual for instructions.	1	1	1	R C
9	72115028	Coil Carrier Sheet (Aluminum Plate) – Single, Counter-Top	1	1	1	
10	72140130	Upper Case "SH/BA"	1	1	1	
11	77322001	Ceran Glass (or use item 1)	1	1	1	R C
11A	70000002	Silicone Gasket 306 x 6 x 4mm (for glass installation)	4	4	4	R C
12A	3012601	Overlay (0-12). Use with Knob item 13A.	1	1	1	
12B	66000002	Overlay. Use with Knob item 13B.	1	1	1	
13A	39400004	Knob, Plain. Use with Overlay item 12A.	1	1	1	R
13B	39400001	Knob (0-12). Use with Overlay item 12B.	1	1	1	R
14	94010011	Power Switch - includes Potentiometer & Cable (4-pole) SH	1	1	1	R C
15A	35624001	LED 24V Green - Black Housing (NOT interchangeable with item 15B)	1	1	1	R
15B	35624009	LED 24V Green - Chrome (NOT interchangeable with item 15A)	1	1	1	R
16	60595006	Screw M5 x 10mm (was 60595004 M5 x 12mm)	4	4	4	
17	65840001	Coil Pin M5 x 23mm	4	4	4	
18	73000002	Compression Spring 1.1 x 13 x 45.7	4	4	4	
19	60595006	Screw M5 x 10mm (was 60528501, Plastic Screw M5x8mm)	4	4	4	
20	34120159	Fuse SUT 15amp 250v 6.3x32	2	2	2	R C
21	34110019	Fuse T1.0A	1	1	1	R C
22	39500003	Screw Nut PG 16	1	1	1	
23	39500009	Screwed Cable Gland PG 16	1	1	1	
24A	38614035	Mains Cable with Plug USA Typ NEMA 6-20P	1		1	R C
24B	38615030	Mains Cable with Plug EU 1-16P		1		R C
25A	39311602	Mains Line Filter 16A Note: 208V - Used UP TO serial# BA04.00103.1011	1	-	1	
		Note: 240V - Used UP TO serial# BA06.00098.0211				
Mains Line Filter 16A						
25B	39311603	Mains Line Filter 16A Note: 208V - Used FROM serial# BA04.00104.1011	1	-	1	
		Note: 240V - Used FROM serial# BA06.00099.1111				
26	94090011	Radial Fan 24V DC	1	1	1	R C
27	95000120	Foot Complete Assembly, Adjustable	4	4	4	R
30	71000003	Air Intake Filter 200x 150x 12mm	1	1	1	R
31	72291120	Heat Sink Pad 215 x 98 x 5 mm	1	1	1	
32	72261030	Frame for Air Intake Filter	1	1	1	R
33	72142470	Air Deflector	1	1	1	R

* R=Recommended Stock Part / C=Critical Part

Counter Wok SH/WO 3500



99570001 99570002 99570003

Induction RTCS Counter Wok, 3.5kW

models

208V: SH/WO 3500, 3.5kW 16A 60Hz 1Phase, Article No. 99570001

230V: SH/WO 3500, 3.5kW 15A 50Hz 1Phase, Article No. 99570002

240V: SH/WO 3500, 3.5kW 14A 60Hz 1Phase, Article No. 99570003

Item	Part Number	Description	Quantity			R C*	
			208V	230V	240V		
1	98300108	Upper Case SH/WO Assembly. Includes overlay and Ceran wok bowl (77302001, not sold separately)	1	1	1		
2	98300033	Top Case Complete Assembly (Includes items 1, 4, 13 to 18)	1	1	1		
3	98200027	Base Assembly (Includes items 22 - 30, 31 - 33)	1	1	1		
4	93203011	Induction Wok Coil #203.01 with Sensor	1	1	1	RC	
5	98021722-208V	Power Board WOK 3.5kW (I217 Version). Includes items 6, 20 & 21.	1	-	-	RC	
	98021704	Power Board Wok, Complete Assembly. Includes items 6, 20 & 21.	-	1	-	RC	
	98021722-240V	Power Board WOK 3.5kW (I217 Version). Includes items 6, 20 & 21.	-	-	1	RC	
6	72291131	Insulation Sheet	1	1	1		
10	98100101	Sheet Metal with Ferrite	1	1	1		
12A	3012601	Overlay (0-12). Use with Knob item 13A.	1	1	1		
12B	66000002	Overlay. Use with Knob item 13B.	1	1	1		
13A	39400004	Knob, Plain. Use with Overlay item 12A.	1	1	1	R	
13B	39400001	Knob (0-12). Use with Overlay item 12B.	1	1	1	R	
14	94010011	Control Switch with Potentiometer, 4-Pol, with Cable, SH	1	1	1	RC	
15A	35624001	LED 24V Green - Black Housing (NOT interchangeable with item 15B)	1	1	1	R	
15B	35624009	LED 24V Green - Chrome (NOT interchangeable with item 15A)	1	1	1	R	
16	60056702	Washer (No longer required; used in units built before May, 2006 / serial# INXX.XXXXX.0506)	4	4	4		
17	73000004	Compression Spring	4	4	4		
18	60678301	Nut	4	4	4		
20	34120159	Fuse SUT 15amp 250v 6.3x32	2	2	2	RC	
21	34110019	Fuse T 1.0A	1	1	1	RC	
22	39500003	Screw Nut PG 16	1	1	1		
23	39500009	Screwed Cable Gland PG 16	1	1	1		
24A	38614035	Mains Cable with Plug USA Typ NEMA 6-20P	1	-	1	RC	
24B	38615030	Mains Cable with Plug EU 1-16P	-	1	-	RC	
25A	39311602	Mains Line Filter 16A Note: 208V - Used UP TO serial# WO01.00148.0911 Note: 240V - Used UP TO serial# WO03.00033.0611	NOTICE Line Filters 25A and 25B are NOT interchangeable. When ordering a replacement part, ensure you check both the serial# and the type of filter installed in your unit.	1	-	1	
		Mains Line Filter 16A		-	1	-	
25B	39311603	Mains Line Filter 16A Note: 208V - Used FROM serial# WO01.00149.0911 Note: 240V - Used FROM serial# WO03.00034.1111		1	-	1	
26	94090011	Radial Fan 24V DC	1	1	1	RC	
27	95000120	Foot Complete Assembly, Adjustable	4	4	4	R	
30	71000003	Air Intake Filter 200x 150x 12mm	1	1	1	R	
31	72291120	Heat Sink Pad 215 x 98 x 5 mm	1	1	1		
32	72261030	Frame for Air Intake Filter	1	1	1	R	
33	72142470	Air Deflector	1	1	1	R	

* R=Recommended Stock Part / C=Critical Part

Induction RTCS Counter Multi-Function (Digital Control) Line Single Hob, 3.5kW

models

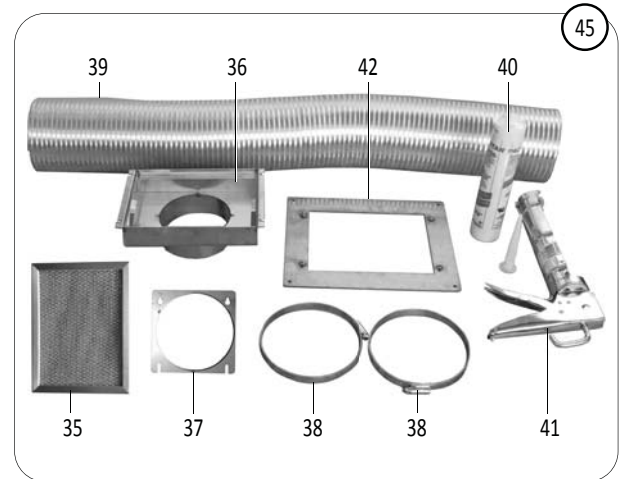
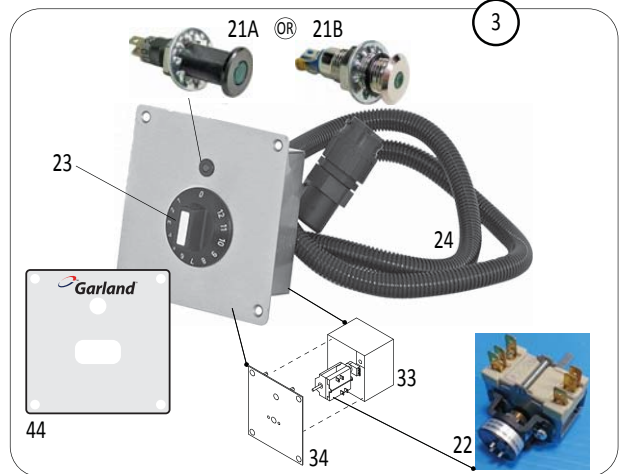
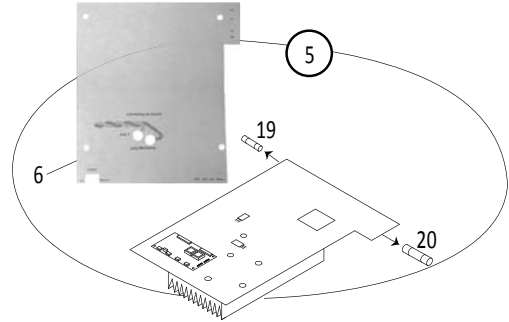
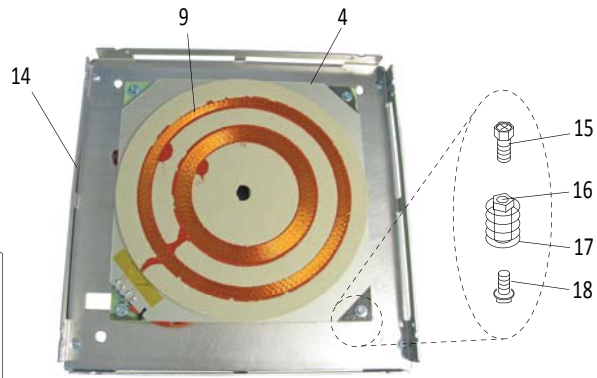
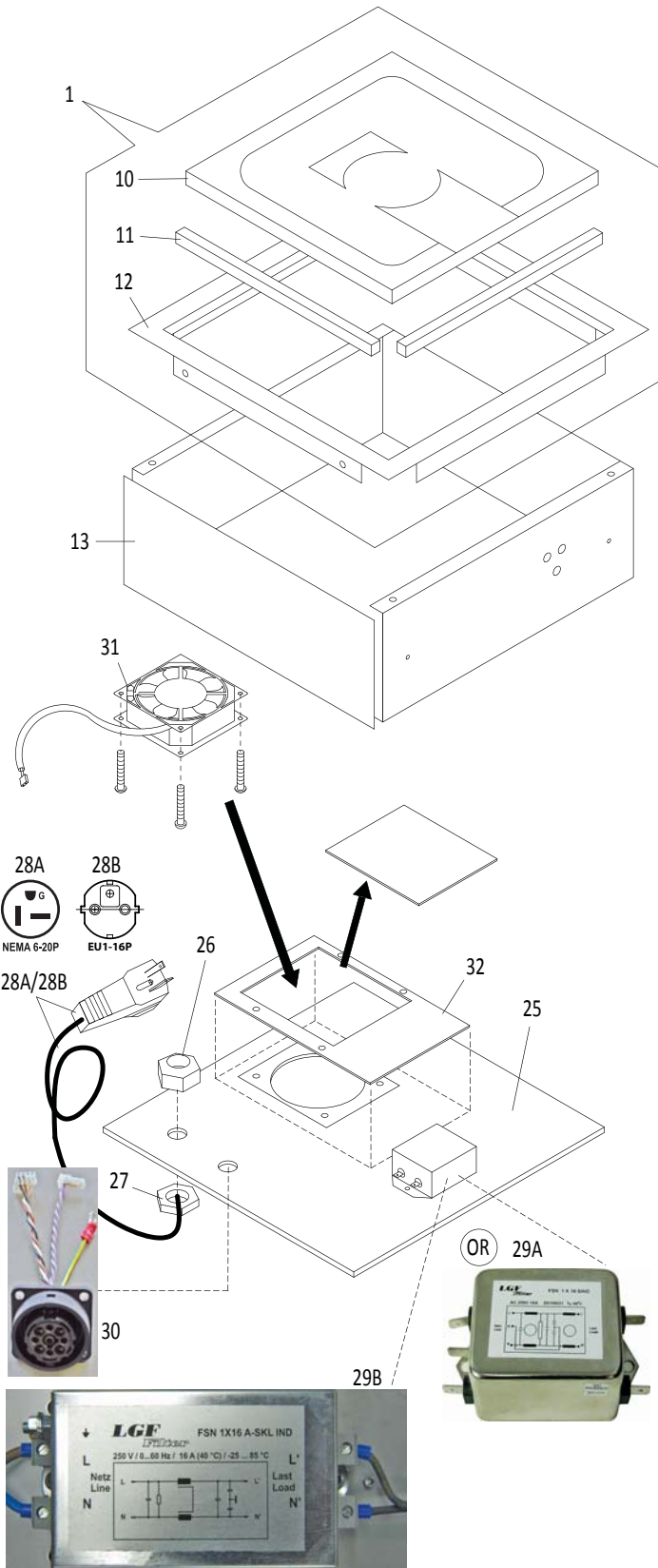
208V: SH/MU 3500, 3.5kW 60Hz, Article No. 99590001

240V: SH/MU 3500, 3.5kW 60Hz, Article No. 99580003

Item	Part Number	Description	Quantity		R C*
			208V	240V	
1	98300008	Case Upper Part Complete (Includes items 9,10,11,12,13 &14)	1	1	
2	93003041	Coil # 3.04 With PTC-sensing Element And Sensor Coil (Includes items 15 - 22)	1		
	93003031	Coil # 3.03 With PTC-Sensing Element And Sensor Coil (Includes items 15 - 22)		1	
8	94900005	4-Pin Cable for Multi-Line Keyboard	1	1	
9	3012603	Garland Overlay	1	1	
10	72185081	Case Upper Part	1	1	
11	77322001	Ceran Glass 322x 322mm	1	1	R C
12	70000002	Silicone Gasket 306 x 6 x 4mm (for glass installation)	4	4	R C
13	98403301	Keyboard	1	1	
14	61404901	Spacer	4	4	
15	94040010	PTC-Sensor with Insulation and Plug 1-Kohms	1	1	R
16	69000011	Spacer 4mm	4	4	
17	30000110	Ferrite 110mm	4	4	
18	60595004	Hexagon Screw M5x12	4	4	
19	73000002	Compression Spring 1.1x13.6x45.7	4	4	
20	65840001	Distance Bolt M5x23	4	4	
21	60528501	Cup Bolt M5x8	4	4	
22	72115028	Coil Carrier Sheet Single	1	1	
23	33143021	Heat Sink SH Single	1	1	
24	42403010	Rectifier 1Ph	1	1	
25	95000005	Screws For Rectifier	4	4	
26	47301000	IGBT C5 - Transistor Module	1	1	
27	95000007	Screws for IGBT - Transistor Module	3	3	
28	94040001	NTC 20KOhm Heat Sink Sensor - 160mm	1	1	
29	72116012	Side Sheet	1	1	
30	91031050	Power Print 1N208/3.5 SH/W (Power Board)	1		
	91031030	Power Print 1N230/3.5 SH/W (Power Board)		1	
31	94900001	Cable Single CPU (Logic Board - Power PCB Cable) 10Pin	1	1	
32	34110019	Fuse T1A 250V 5x20	1	1	R C
33	34120159	Fuse SUT 15amp 250v 6.3x32 (was 34120109 Fuse T10A 250V 6.3 x32)	1	1	R C
34	98401808	CPU-Print Multi-Line (Logic Board)	1	1	
35	64070001	Spacer M4x8			
36	64070007	Spacer Double Locking			
37	64070005	Spacer M4x70	2	2	
38	39500003	Screw Nut PG 16	1	1	
39	39500009	Screwed Cable Gland PG 16	1	1	
40	38614035	Mains Cable with Plug USA Type NEMA 6-20P (was 38614030 Mains Cable with Plug USA Type NEMA 6-20)	1	1	R C
41	72142011	Air Duct Single	1	1	
42	39223001	Radial Fan 230V	1	1	R C
43	72185039	Bottom Sheet	1	1	
45	71000003	Air Intake Filter 200x 150x 12mm	1	1	R
46	95000120	Foot Complete Assembly, Adjustable	4	4	R
48	90101000	Measuring Amplifier	1	1	
49	72261030	Frame for Air Intake Filter	1	1	R
50	72142470	Air Deflector	1	1	R

* R=Recommended Stock Part / C=Critical Part

Built-In Line Single Hob SH/IN 3500



99580004 99580005 99580006

Induction RTCS Built-In Line Single Hob, 3.5kW

208V: SH/IN 3500, 3.5kW 16A 60Hz 1Phase, Article No. 99580004

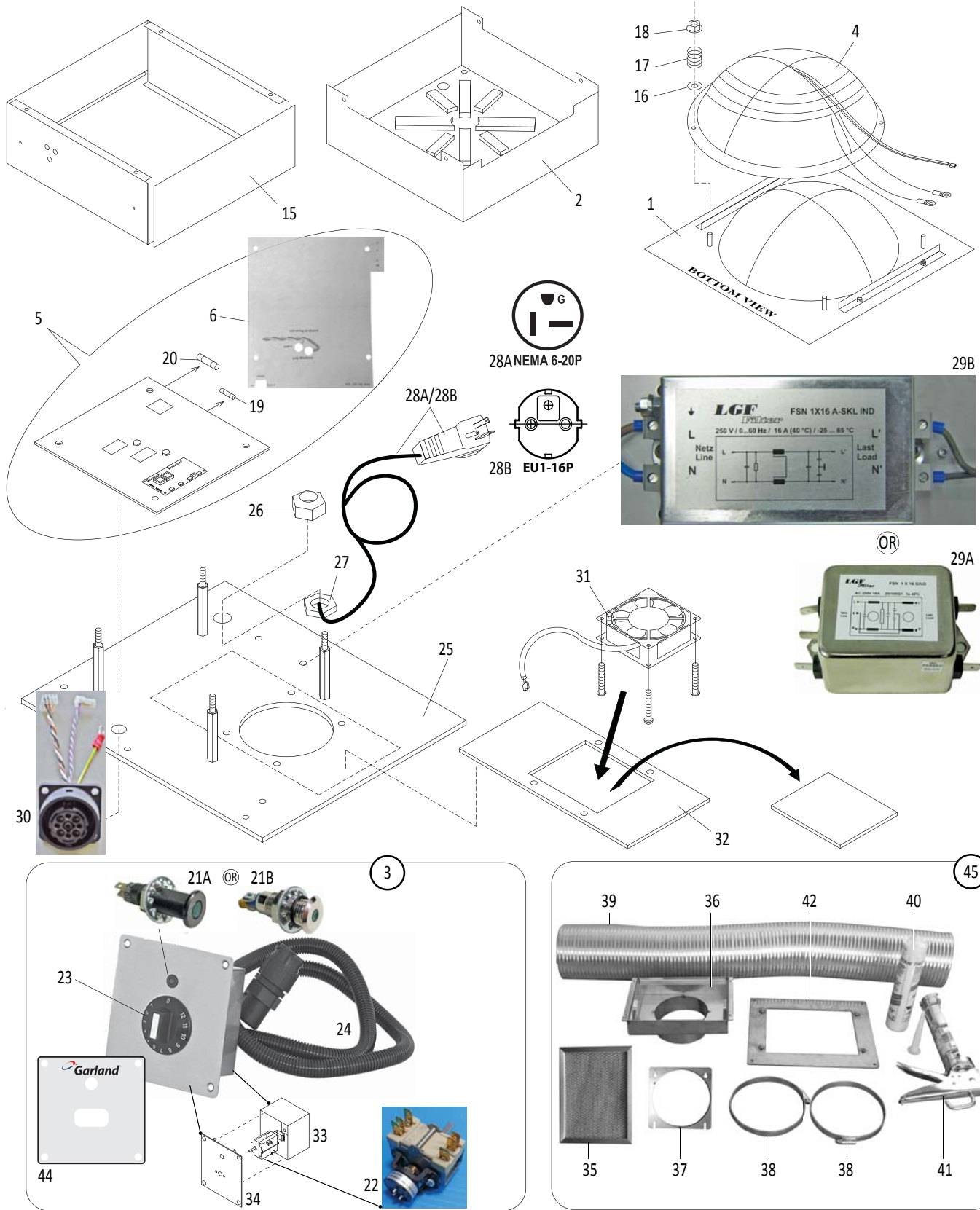
230V: SH/IN 3500, 3.5kW 15A 50Hz 1Phase, Article No. 99580005

240V: SH/IN 3500, 3.5kW 14A 60Hz 1Phase, Article No. 99580006

ITEM	PART #	DESCRIPTION	208V	230V	240V	RC*
1	98300021	Ceran Glass Top SH/IN Assembly (Includes items 10, 11 & 12)	1	1	1	
3	94030004	Control Assembly, 1m Cable	1	1	1	
4	93003080	Induction Coil #3.08 includes CU Sensors	1	1	1	RC
5	98021721	Power Board 2.5kW & 3.5kW (I217 Version). Includes items 6, 19, 20.	1		1	RC
	98021703	Power Board Complete Assembly 2.3-3.5kW. Includes items 6, 19, 20.		1		RC
6	72291131	Insulating Sheet	1	1	1	
9	94040050	CU1/CU2 Sensors NOTICE: When replacing only the CU sensor, ensure to initialize with a short circuit plug (P/N 94900096, see Repair Accessories). Refer to service manual for instructions.	1	1	1	RC
10	77322001	Ceran Glass 320 x 320 x 4mm (or use item 1)	1	1	1	RC
11	70000002	Silicone Gasket 305 x 6 x 4mm (for glass installation)	4	4	4	RC
12	72211032	Mounting Frame (Ceran Glass not included)	1	1	1	
13	72146350	Front Sheet SH/IN	1	1	1	
14	72144570	Coil Carrier SH/IN	1	1	1	
15	60595006	Screw M5 x 10mm (was 60595004 M5 x 12mm)	4	4	4	
16	65840001	Coil Pin M5 x 23mm	4	4	4	
17	73000002	Compression Spring 1.1 x 13 x 45.7	4	4	4	
18	60595006	Screw M5 x 10mm (was 60528501, Plastic Screw M5x8mm)	4	4	4	
19	34110019	Fuse T1.0A	1	1	1	RC
20	34120159	Fuse SUT 15amp 250v 6.3x32	2	2	2	RC
21A	35624001	LED 24V Green, Black Housing (NOT interchangeable with item 21B)	1	1	1	R
21B	35624009	LED 24V Green, Chrome (NOT interchangeable with item 21A)	1	1	1	R
22	94010001	Control Switch with Potentiometer, 2-Pol, no Cable	1	1	1	RC
23	39400001	Plastic Knob 0-12	1	1	1	R
24	94030014	Harness Main Control, 1-meter long	1	1	1	
25	72144510	Bottom Sheet SH/IN	1	1	1	
26	39500009	Screwed Cable Gland PG 16	1	1	1	
27	39500003	Screw Nut PG 16	1	1	1	
28A	38614035	Mains Cable with Plug USA Typ NEMA 6-20P	1	-	1	RC
28B	38615030	Mains Cable with Plug EU 1-16P	-	1	-	RC
29A	39311602	Mains Line Filter 16A Note: 208V - Used UP TO serial# IN04.00026.0510 240V - Used UP TO serial# IN06.00005.0311	1	-	1	
		Mains Line Filter 16A				
29B	39311603	Mains Line Filter 16A Note: 208V - Used FROM serial# IN04.00027.0510 Note: 240V - Used FROM serial# IN06.00006.0311	1	-	1	
30	94900077	Female Plug with Cable	1	1	1	
31	94090002	Axial Fan	1	1	1	RC
32	72291120	Heat Sink Pad 215x98x5 mm NOTICE Discard the center piece for fan ventilation.	1	1	1	
33	72282180	Connector Box Switch - S/S	1	1	1	
	72261070	Connector Box Switch - Plastic	1	1	1	
34	72244100	Front Panel (with NO Guard)	1	1	1	
35	71000003	Air Intake Filter (Grease Filter) 200x 150x 12mm	1	1	1	R
36	72183091	Grease Filter Holder	1	1	1	
37	72263020	Air Duct Flange	1	1	1	
38	76000002	Duct Clamp	2	2	2	
39	76000001	Air Duct Aluminum	1	1	1	
40	70000015	Silicone Glue PACTAN 7076 (for glass installation)	1	1	1	
41	76000003	Caulking Gun - Silicone Glue (for glass installation)	1	1	1	
42	72204090	Front plate for Grease Filter	1	1	1	
44	66000067	Overlay - Install-Line (NO Protective Guards)	1	1	1	
45	95000021	Air Intake Kit, single hob/wok (compulsory for built-in line unit)	1	1	1	

*R=Recommended Stock Part / C=Critical Part

Built-In Line Wok SH/WO/IN 3500



Induction RTCS Built-In Line Wok, 3.5kW

models

208V: SH/WO/IN 3500, 3.5kW 16A 50Hz 1Phase, Article No. 99580016

230V: SH/WO/IN 3500, 3.5kW 15A 50Hz 1Phase, Article No. 99580017

240V: SH/WO/IN 3500, 3.5kW 14A 60Hz 1Phase, Article No. 99580018

Item	Part Number	Description	208V	230V	240V	R C*
1	98300112	Ceran Wok Top Assembly (Includes Wok Bowl)	1	1	1	
2	95141221	Trough with Ferrite for Install Wok Line	1	1	1	
3	94030004	Main Control Assembly (NO Knob Protection Guards). Cable 1 meter. (Includes items 21- 24, 33 - 34, 44)	1	1	1	
4	93203070	Induction Wok Coil #203.07 includes Sensor & Carrier (4 Sides Cut) Can use to replace 93203011, difference in carrier only.	1	1	1	RC
5	98021722-208V	Power Board WOK 3.5kW (I217 Version). Includes 6, 19, 20.	1	1	1	RC
	98021704	Power Board Wok, Complete Assembly. Includes 6, 19, 20.				RC
	98021722-240V	Power Board WOK 3.5kW (I217 Version). Includes 6, 19, 20.				RC
6	72291131	Insulating Sheet	1	1	1	
15	72146350	Front Sheet SH/IN	1	1	1	
16	60056702	Washer (No longer required; used in units built before May, 2006 / serial# INXX.XXXXX.0506)	4	4	4	
17	73000004	Compression Spring	4	4	4	
18	60678301	Nut	4	4	4	
19	34110019	Fuse T1.0A	1	1	1	RC
20	34120159	Fuse SUT 15amp 250v 6.3x32	2	2	2	RC
21A	35624001	Front Indicator Lamp 24V LED Green - Black Housing Note: NOT interchangeable with item 21B.	1	1	1	R
21B	35624009	Front Indicator Lamp 24V LED Green - Chrome Housing Note: NOT interchangeable with item 21A.	1	1	1	R
22	94010001	Control Switch with Potentiometer, 2-Pol, no Cable	1	1	1	RC
23	39400001	Plastic Knob (0-12)	1	1	1	R
24	94030014	Harness Main Control, 1-meter	1	1	1	
25	72144510	Bottom Sheet SH/IN	1	1	1	
26	39500009	Screwed Cable Gland PG 16	1	1	1	
27	39500003	Screw Nut PG 16	1	1	1	
28A	38614035	Mains Cable with Plug USA Typ NEMA 6-20P	1		1	RC
28B	38615030	Mains Cable with Plug EU 1-16P		1		RC
29A	39311602	Mains Line Filter 16A	1	1	1	
		Mains Line Filter 16A Note: Used UP TO serial# IN18.00006.0410				
29B	39311603	Mains Line Filter 16A Note: Used FROM serial# IN18.00007.0410	1		1	
30	94900077	Female Plug with Cables		1	1	
31	94090002	Axial Fan (SH/IN Models)	1	1	1	RC
32	72291120	Heat Sink Pad 215x 98x 5mm NOTICE: Discard the center piece of the Heat Sink Pad for fan ventilation.	1	1	1	
33	72282180	Connector Box Switch - S/S	1	1	1	
	72261070	Connector Box Switch - Plastic	1	1	1	
34	72244100	Front Panel (NO Knob Protection Guards)	1	1	1	
35	71000003	Air Intake Filter 200x 150x 12mm	1	1	1	R
36	72183091	Grease Filter Holder	1	1	1	
37	72263020	Air Conductor Holder (single Hob model)	1	1	1	
38	76000002	Hose Clamp	2	2	2	
39	76000001	Air Conductor Aluminum	1	1	1	
40	70000015	Silicone Glue PACTAN 7076	1	1	1	
41	76000003	Caulking Gun - Silicone Glue	1	1	1	
42	72204090	Front plate for Grease Filter	1	1	1	
44	66000067	Garland Label/Overlay - Install-Line (NO Protective Guards)	1	1	1	
45	95000021	Air Intake Kit, single hob/wok (compulsory for built-in line unit)	1	1	1	

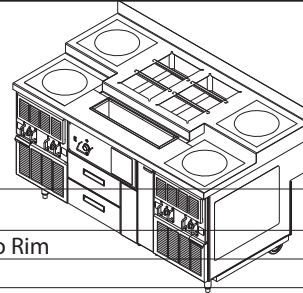
* R=Recommended Stock Part / C=Critical Part

Induction RTCS Built-In Line Wok, 3.5kW for Pasta Station

model SH/WO/IN 3500, 3.5kW 208V 50/60Hz

Article No. 99580016

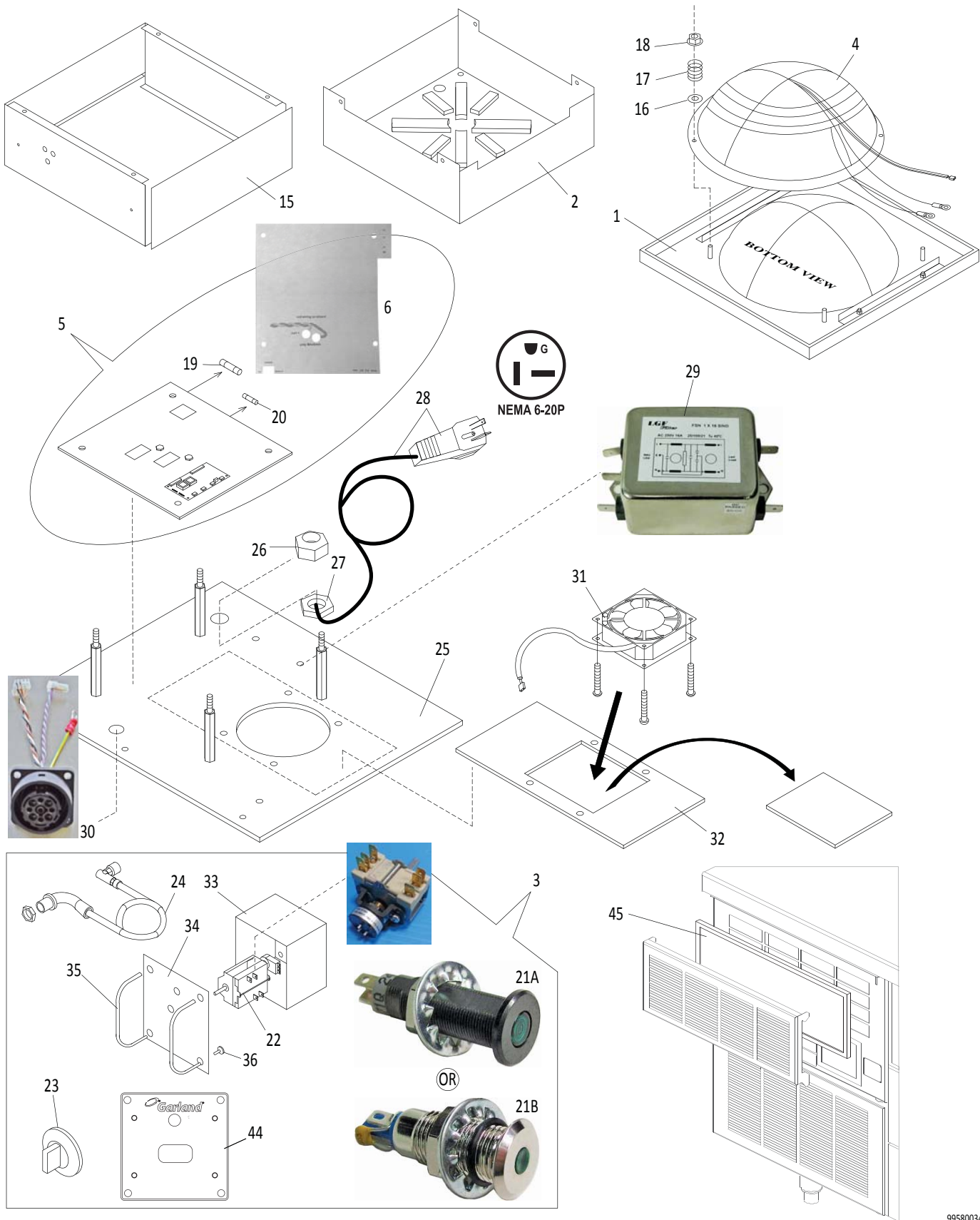
in F18MR68R-BP (DIPS68") Pasta Station



ITEM	PART #	DESCRIPTION	Qty	RC*
1	98300112	Ceran Wok Top Assembly (Includes Wok Bowl) - Flat, SS, No Rim	1	
2	95141221	Trough with Ferrite for Install Wok Line	1	
3	94030050	Main Control Assembly with Protection Guards, Amphenol Cable 1-meter, with Overlay (Includes items 21 - 24, 33 - 36, 44A)		
	94030051	Main Control Assembly with Protection Guards, Amphenol Cable 1.8-meter, no Overlay (Includes items 21 - 24, 33 - 36)		
	94030004	Main Control Assembly with NO Protection Guards (Incl. items 21 - 24, 33, 34, 44B)		
4	93203070	Induction Wok Coil #203.07 includes Sensor & Carrier (4 Sides Cut)	1	RC
5	98021722-208V	Power Board WOK 3.5kW (I217 Version). Board includes items 6,19 & 20.	1	RC
6	72291131	Protective Sheet	1	
15	72146350	Front Sheet SH/IN	1	
16	60056702	Washer (No longer required; used in units built before May, 2006 / serial# INXX.XXXXX.0506)	4	
17	73000004	Compression Spring	4	
18	60678301	Nut	4	
19	34120159	Fuse SUT 15amp 250v 6.3x32	2	RC
20	34110019	Fuse T1.0A	1	RC
21A	35624001	LED 24V Green - Black Housing (NOT interchangeable with item 21B)	1	R
21B	35624009	LED 24V Green - Chrome Housing (NOT interchangeable with item 21A)	1	R
22	94010001	Control Switch 2 Pole with Potentiometer	1	RC
23	39400001	Plastic Knob with Dial 0-12	1	R
24	94030014	Harness Main Control, 1-meter		
	94030015	Harness Main Control, 2.5-meter		
25	72144510	Bottom Sheet SH/IN	1	
26	39500009	Screwed Cable Gland PG 16	1	
27	39500003	Screw Nut PG 16	1	
28	38614035	Mains Cable with Plug USA Typ NEMA 6-20P	1	RC
29A	39311602	Mains Line Filter 16A Note: Used UP TO serial# IN16.00937.0711	1	
29B	39311603	Mains Line Filter 16A Note: Used FROM serial# IN16.00938.1111		
NOTICE Line Filters 29A and 29B are NOT interchangeable. When ordering for a replacement part, ensure you check both the serial# and the type of filter used in your unit.				
30	94900077	Female Plug with Cables	1	
31	94090002	Axial Fan (SH/IN Models)	1	RC
32	72291120	Heat Sink Pad 215 x 98 x 5 mm NOTICE Discard the center piece of the Heat Sink Pad for fan ventilation.	1	
33	72282180	Connector Box Switch - S/S	1	
	72261070	Connector Box Switch - Plastic	1	
34	72300070	Front Panel (WITH Protective Guards)	1	
	72244100	Front Panel (NO Protective Guards)	1	
35	71000030	Protection Guards	2	
36	60333302	Mounting Screws for Protective Guards	4	
37	72263020	Air Duct Holder (single Hob Model)	1	
38	76000002	Clamp	2	
39	76000001	Air Duct Aluminum	1	
40	70000015	Silicone Glue PACTAN 7076	1	
41	76000003	Caulking Gun - Silicone Glue	1	
42	71000003	Air Intake Filter 200x 150x 12mm	1	R
43	72183091	Grease Filter Holder	1	
44A	66000068	Label/Overlay - Install-Line (WITH Protective Guards)	1	
44B	66000067	Label/Overlay - Install-Line (NO Protective Guards)	1	
45	BPP00033	Filter for Paster Station - 6 1/8" x 7"	2	
46	95000021	Air Intake Kit, single hob/wok (compulsory for built-in line unit)		
47	72204090	Front plate for Grease Filter	1	

* R=Recommended Stock Part / C=Critical Part

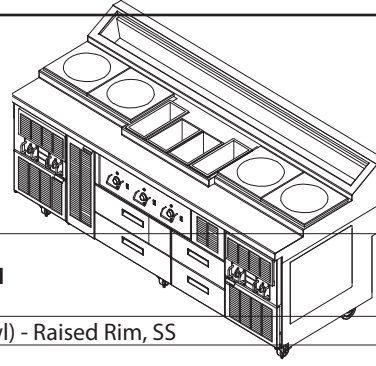
Built-In Line Wok SH/WO/IN 3500 for Pasta Station F18RC93-BPL (DIPS93")



99580034

Induction RTCS Built-In Line Wok, 3.5kW for Pasta Station

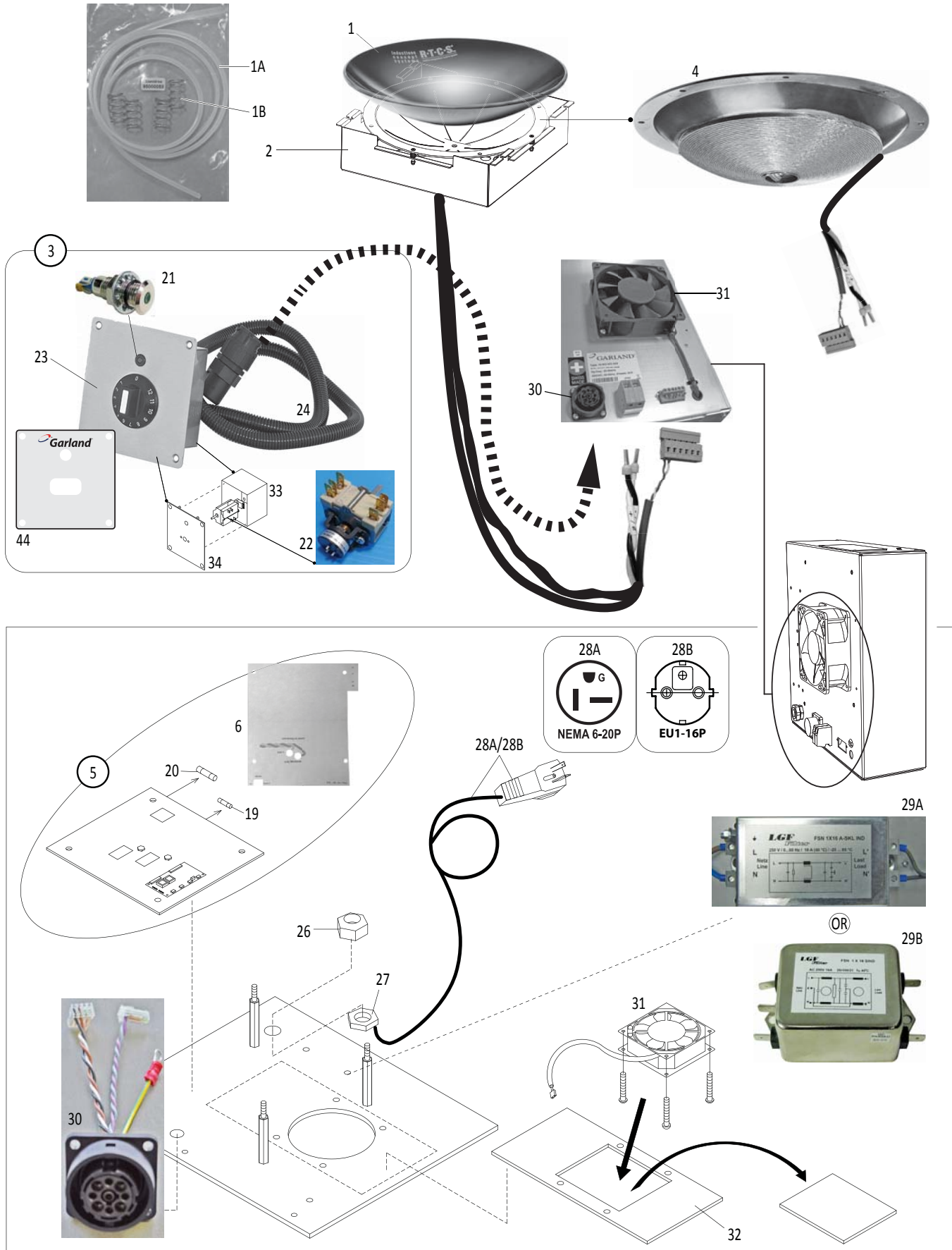
model SH/WO/IN 3500, 3.5kW 208V 50/60Hz
Article No. 99580034
in F18RC93-BPL (DIPS93") Pasta Station



ITEM	PART #	DESCRIPTION	QTY	RC*
1	98300118	Ceran Wok Flange Top Assembly (Includes Wok Bowl) - Raised Rim, SS	1	
2	95141221	Trough with Ferrite for Install Wok Line	1	
3	94030050	Main Control Assembly with Protection Guards, Amphenol Cable 1-meter, with Overlay (Includes items 21 - 24, 33 - 36, 44)		
	94030051	Main Control Assembly with Protection Guards, Amphenol Cable 1.8-meter, no Overlay (Includes items 21 - 24, 33 - 36)		
4	93203070	Induction Wok Coil #203.07 includes Sensor & Carrier (4 Sides Cut)	1	RC
5	98021722-208V	Power Board WOK 3.5kW (I217 Version). Board includes items 6, 19 & 20.	1	RC
6	72291131	Insulating Sheet	1	
15	72146350	Front Sheet SH/IN	1	
16	60056702	Washer (No longer required; used in units built before May, 2006 / serial# INXX. XXXXX.0506)	4	
17	73000004	Compression Spring	4	
18	60678301	Nut	4	
19	34120159	Fuse SUT 15amp 250v 6.3x32	2	RC
20	34110019	Fuse T1.0A	1	RC
21A	35624001	Front Indicator Lamp 24V LED Green - Black Housing NOTE: NOT interchangeable with item 21B.	1	R
21B	35624009	Front Indicator Lamp 24V LED Green - Chrome Housing NOTE: NOT interchangeable with item 21A.	1	R
22	94010001	Control Switch 2 Pole with Potentiometer, without cable	1	RC
23	39400001	Plastic Knob with Dial 0-12	1	R
24	94030014	Harness Main Control, 1-meter		
	94030015	Harness Main Control, 2.5-meter		
25	72144510	Bottom Sheet SH/IN	1	
26	39500009	Screwed Cable Gland PG 16	1	
27	39500003	Screw Nut PG 16	1	
28	38614035	Mains Cable with Plug USA Typ NEMA 6-20P	1	RC
29	39311602	Mains Line Filter 16A	1	
30	94900077	Female Plug with Cables	1	
31	94090002	Axial Fan (SH/IN Models)	1	RC
32	72291120	Heat Sink Pad 215 x 98 x 5 mm NOTICE Discard the center piece of the Heat Sink Pad for fan ventilation.	1	
33	72282180	Connector Box Switch - S/S	1	
	72261070	Connector Box Switch - Plastic	1	
34	72300070	Front Panel (WITH Protective Guards)	1	
35	71000030	Protection Guards	2	
36	60333302	Mounting Screws for Protective Guards	4	
44	66000068	Label/Overlay - Install-Line (WITH Protective Guards)	1	
45	BPP00033	Filter for Paster Station - 6 1/8" x 7"	2	

* R=Recommended Stock Part / C=Critical Part

Module-Line Wok MO/WO 3500











Induction RTCS Module-Line Wok, 3.5kW

model 208V: MO/WO 3500, 3.5kW 50/60Hz 1Phase (Generator IN/MO/WO3500, Article No. 99610024)
 230V: MO/WO 3500, 3.5kW 50/60Hz 1Phase (Generator IN/MO/WO3500, Article No. 99610025)

Item	Description	Part Number	208V	230V	R C*
1	Ceran Wok Bowl 306mm/12-inch diameter, 6mm thick	77302001	1	1	R C
1A	Silicone gasket 960x 5x 2 mm, for wok bowl installation	70000004	1	1	R C
1B	Pressure Springs, 1x 10x 17.5mm, for installing wok bowl (item 1) and coil carrier (item 4)	73000004	4	4	
2	Shield plate/box with Ferrite for Install Wok Line	95000050	1	1	
3	Main Control Complete Assembly (NO Knob Gards), Cable Length 2.5-meter/98.43-inch	94030005	1	1	
4	Induction Wok Coil #203.04 With Sensor and Carrier Coil and sensor cable length, 250cm/98.4-inch	93203040	1	1	R C
5	Power Module WOK 3.5kW (I217 Version) NOTICE After replacing item #5, MUST RESET ALL PARAMETERS with an IR adapter tool (P/N 98990001 , see Repair Accessories). Refer to service manual for instructions.	98021722-208V	1	-	R C
	Power Module WOK 3.5kW (I217 Version) NOTICE After replacing item #5, MUST RESET ALL PARAMETERS with an IR adapter tool (P/N 98990001 , see Repair Accessories). Refer to service manual for instructions.	98021704	-	1	R C
6	Insulation Sheet	72291131	1	1	
19	Fuse T1.0A	34110019	1	1	R C
20	Fuse 15amp 250V 6.3x32	34120159	2	2	R C
21	Indicator Lamp 24V LED Green - Chrome	35624009	1	1	R
22	Control Switch with Potentiometer, 2-Pol, no Cable	94010001	1	1	R C
23	Plastic Knob (0-12)	39400001	1	1	R
24	Harness Main Control, Cable 2.5-meter long	94030015	1	1	
26	Screwed Cable Gland PG 16	39500009	1	1	
27	Screw Nut PG 16	39500003	1	1	
28A	Mains Cable with Plug USA NEMA 6-20P	38614035	1	-	R C
28B	Mains Cable with Plug EU	38615030	-	1	
29A	Mains Line Filter 16A 1-Phase	39311603	1	-	
29B	Mains Line Filter 16A 1-Phase	39311602	-	1	
30	Female Plug with Cable	94900077	1	1	
31	Axial Fan (SH/IN Models)	94090002	1	1	R C
32	Heat Sink Pad 215x 98x 5mm NOTICE: Discard the center piece of the Heat Sink Pad for fan ventilation.	72291120	1	1	
33	Connector Box Switch - Plastic	72261070	1	1	
34	Front Panel (NO Protective Guards)	72244100	1	1	
44	Garland Overlay - Install-Line (NO Protective Guards)	66000067	1	1	

* R=Recommended Stock Part / C=Critical Part

Repair Accessories

Photo	Description	Part Number
	<p>IR Adapter Usage: To receive infrared signals from an induction cooker and communicate via a HyperTerminal, or equivalent, on a laptop or other mobile peripherals. Might require additional adapters (not provided).</p>	98990001
	<p>USB- RS232 Adapter Usage: To connect an IR Adapter (98990001) to a computer/device that does not have any RS232 connector.</p>	39800001
	<p>Heat Sink Compound P12. Usage: To mount IGBT or Print/Board onto a Heatsink.</p>	70000020
	<p>Short Circuit (Service) Plug (RTCS only, Not for RTCSmp) Usage: To initialize CU sensors.</p>	94900096
	<p>High Temperature Tape 16mm Usage, for example: To retain PTC(RTC) sensors; to be used as a temporary adhesive; to be used as a high temperature insulator for coil repair.</p>	70000022
	<p>Silicone Glue PACTAN 7076 (for Installation)</p>	70000015
	<p>Wire Punch Down Tool</p>	79000024
	<p>Calibration or Test Plates: Use these plates to calibrate and verify pan detection settings.</p>	
	<p>Calibration Plate, Ø 120mm, with Handle</p>	79000120
	<p>Calibration Plate, Ø 100mm, with Handle</p>	79000100
	<p>Calibration Plate, Ø 90mm, with Handle</p>	79000090
	<p>Calibration Plate, Ø 70mm, with Handle</p>	79000070

Cooking Accessories

Notice

Use Wok Pans with Correct Contour

Garland recommends that the wok pans used be the correct contour to the Ceran glass bowl (Built-In and Module-Line Models). To reduce premature failures such as overheating, wok pans should not touch the glass but only sit onto the upper flange.

To guarantee the correct contour, Garland offers a selection of wok induction pans. Please consult your dealer for details.

Photo	Description	Part Number
	Large Iron Wok with Stainless Steel Round Handle diameter 14.1-inch / 360mm height 5.5-inch / 140mm capacity 2.47-gallon / 9.5-litre	72205015
	Round-Base Wok, Multi-Layer diameter 14.1-inch / 360mm height 3.9-inch / 100mm capacity 1.35-gallon / 5.2-litre	72205016
	Round-Base Wok, Multi-Layer diameter 14.1-inch / 360mm height 5.5-inch / 140mm capacity 2.47-gallon / 9.5-litre	72205020



1-844-724-CARE • www.mtwkitchencare.com