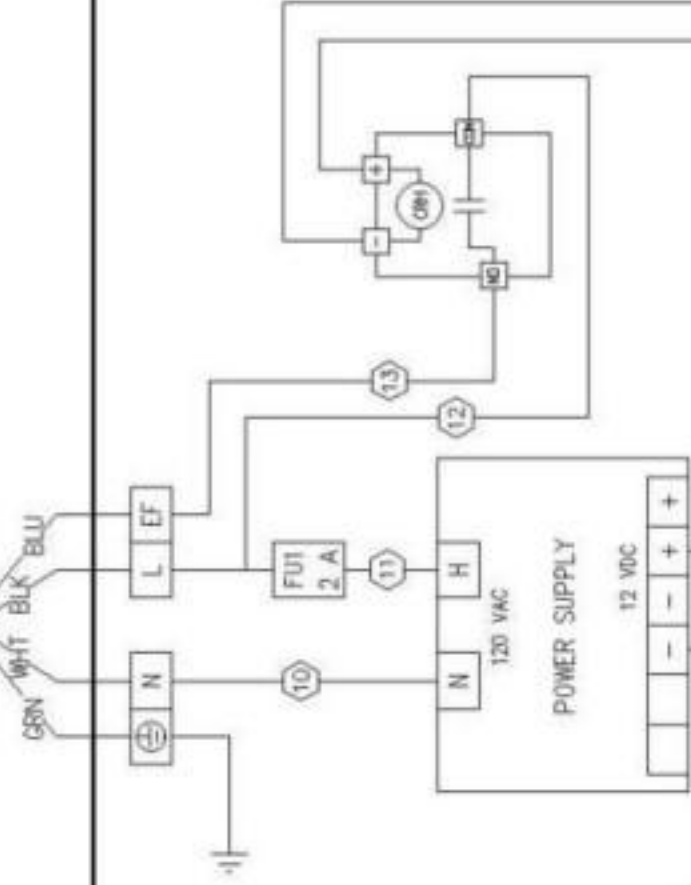


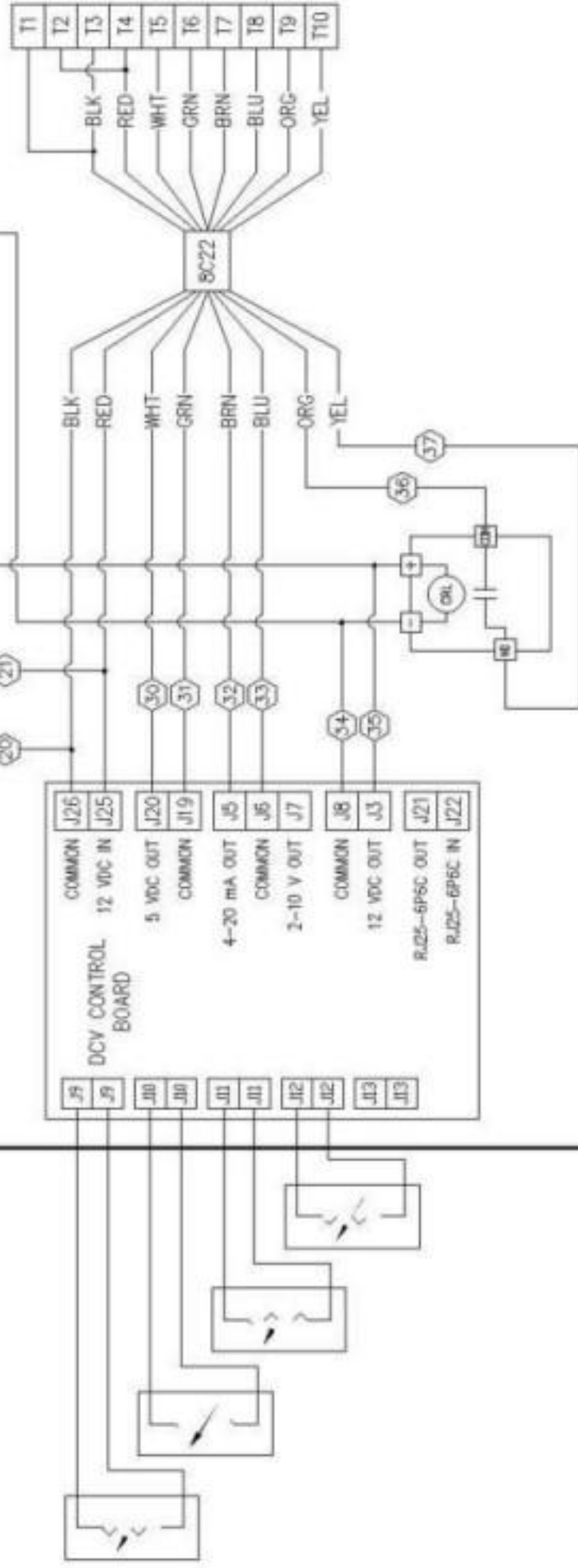
HIGH VOLTAGE WHIP  
(ADDED AT HOOD)



HIGH VOLTAGE SIDE

LOW VOLTAGE SIDE

RTD1 CONNECTED AT J9  
ADDITIONAL RTDS CONNECTED IN SEQUENCE



-- SUPPLY VOLTAGE --  
12 VDC, 60Hz.

TRM	TERMINATION SCHEDULE	TYPE
J9	RTD INPUT	VARIABLES
J10	RTD INPUT	VARIABLES
J11	RTD INPUT	VARIABLES
J21	(RS232, 6P6C) COMMUNICATION	MOD BUS
J22	(RS232, 6P6C) COMMUNICATION	MOD BUS
J25	BOARD POWER SUPPLY	12 VDC
J26	BOARD POWER SUPPLY COMMON	COM
T1	12 VDC POWER COMMON	COM
T2	12 VDC POWER	12 VDC
T3	12 VDC POWER COMMON	COM
T4	12 VDC POWER	12 VDC

TERMINAL			WIRE		
LOCATION	TAG	TYPE	NUMBER	COLOR	GAUGE
CONTROL BOARD	J26	TAB	20	GRAY	18
TERMINAL STRIP	T3	SCREW	20	GRAY	18
TERMINAL STRIP	T3	SCREW	20	GRAY	18
TERMINAL STRIP	T1	SCREW	20	GRAY	18
CONTROL BOARD	J25	TAB	21	PURPLE	18
TERMINAL STRIP	T4	SCREW	21	PURPLE	18
TERMINAL STRIP	T4	SCREW	21	PURPLE	18
TERMINAL STRIP	T2	SCREW	21	PURPLE	18

