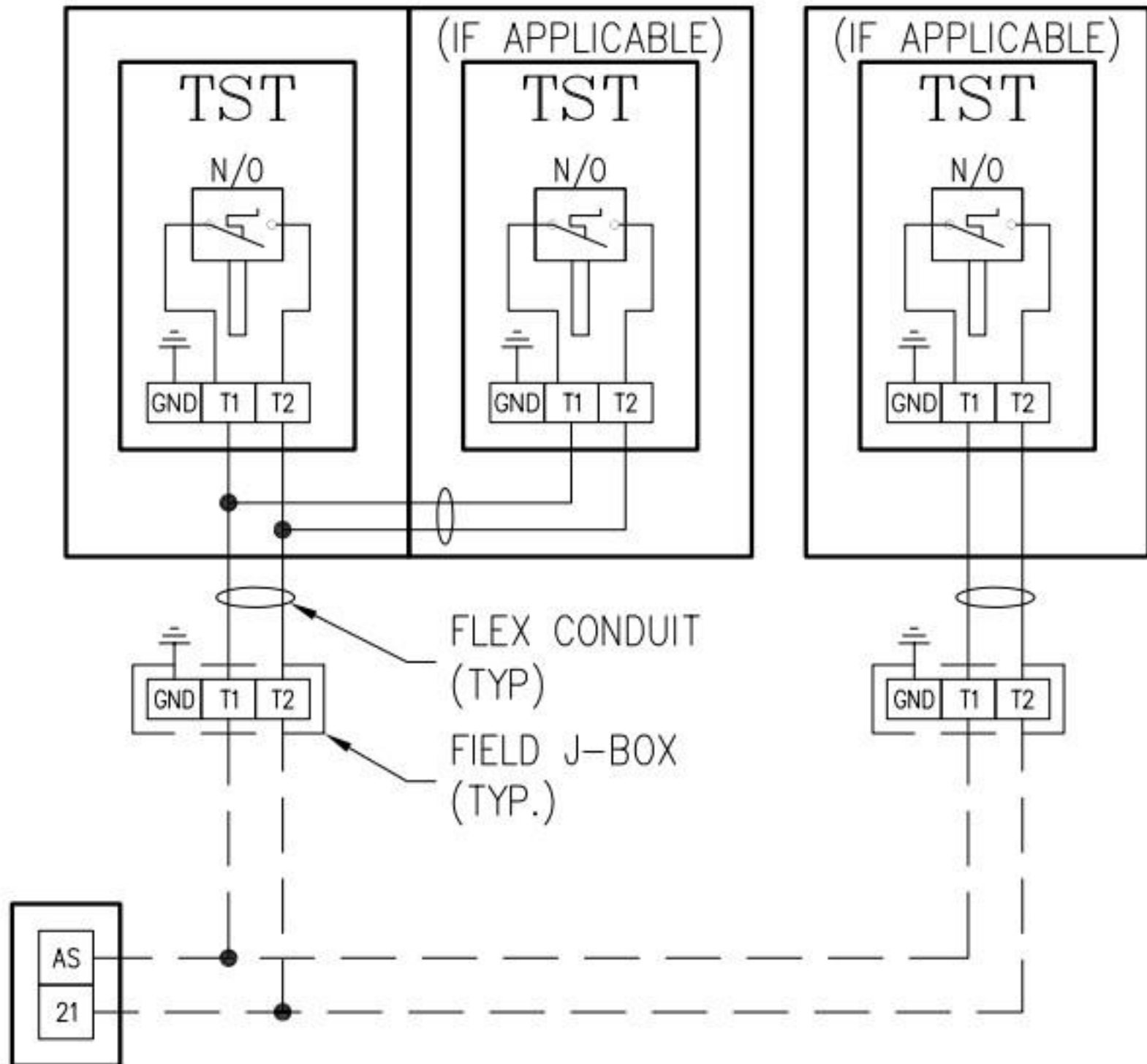


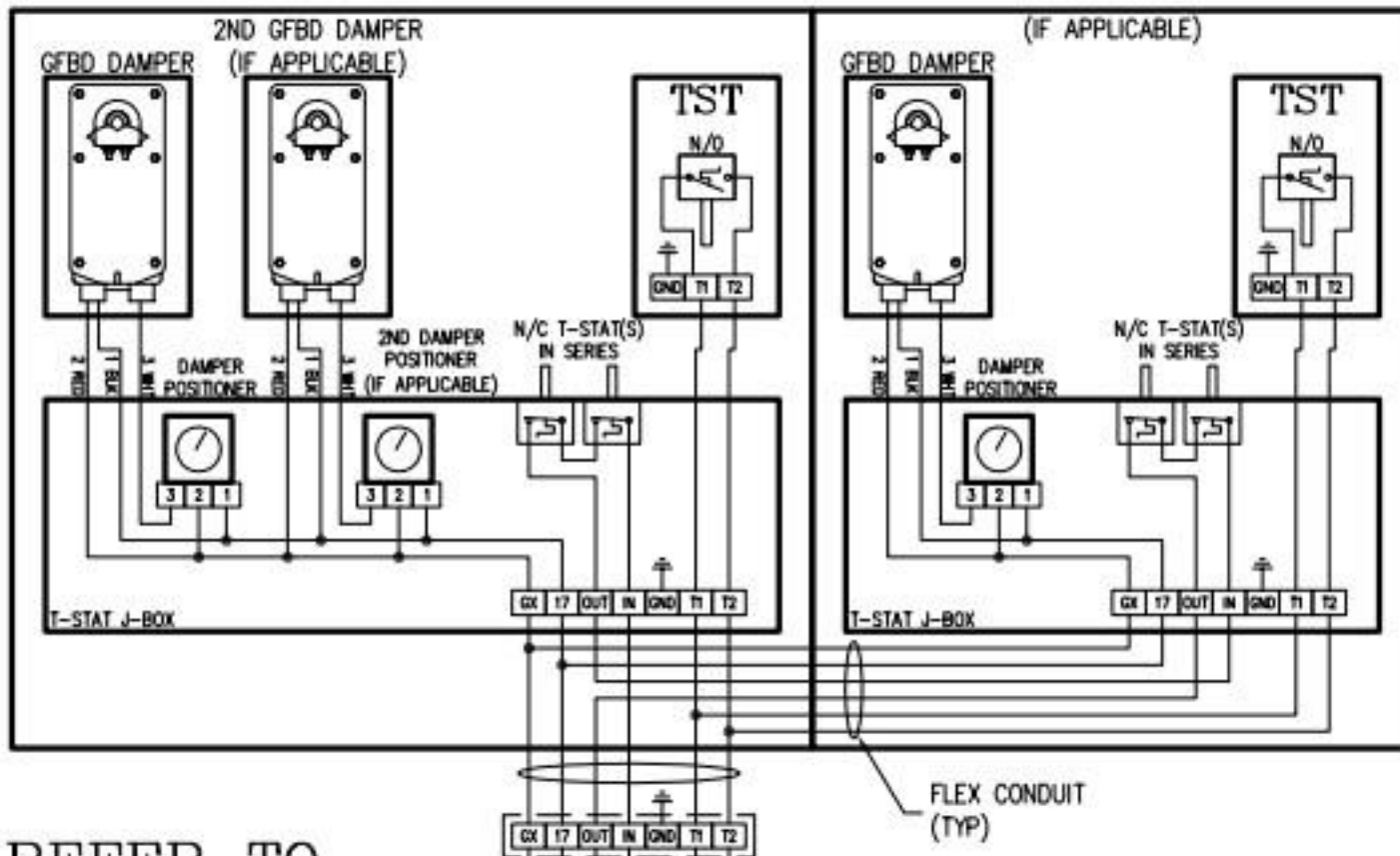
Add'l  
1st Hood Section(s)  
1st Section

Add'l  
Hood(s)



1st Hood  
1st Section

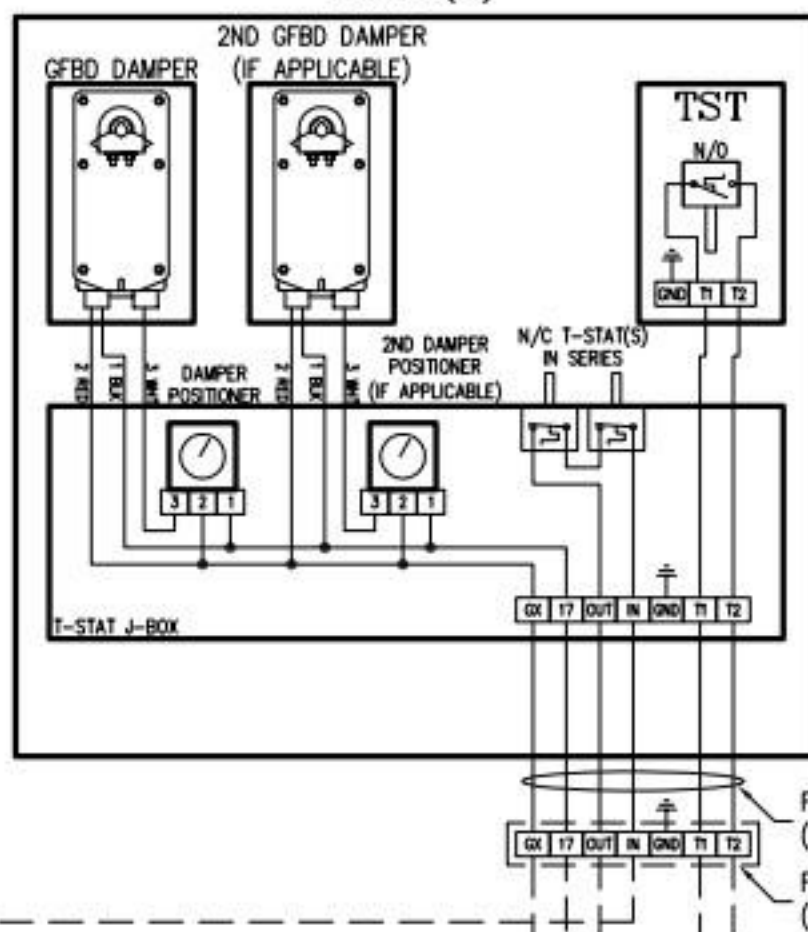
Add'l  
Section(s)



REFER TO  
WASH CONTROL  
CABINET WIRING  
DIAGRAM FOR  
DETAILS

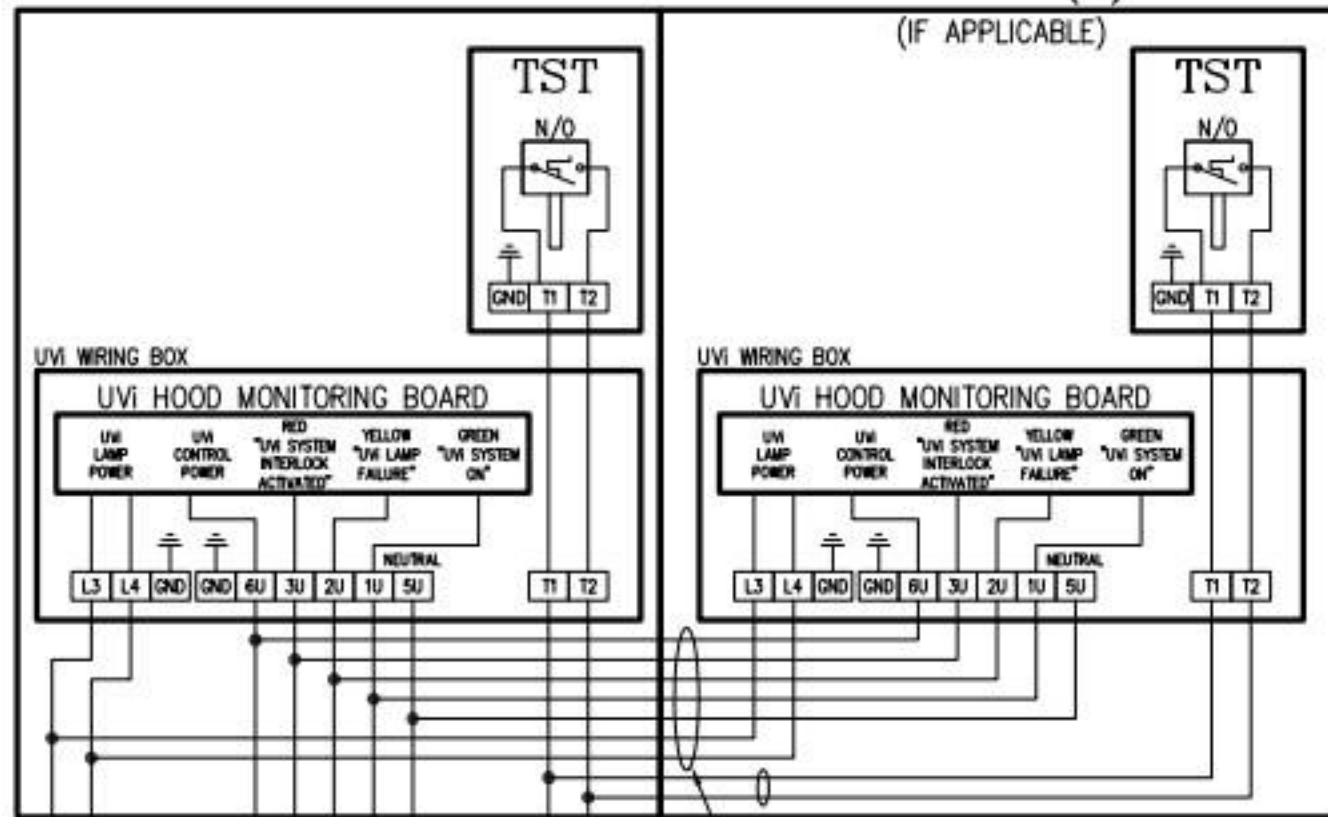


Add'l  
Hood(s)



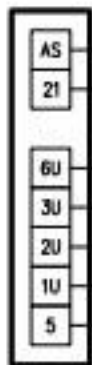
1st Hood  
1st Section

Add'l  
Section(s)  
(IF APPLICABLE)



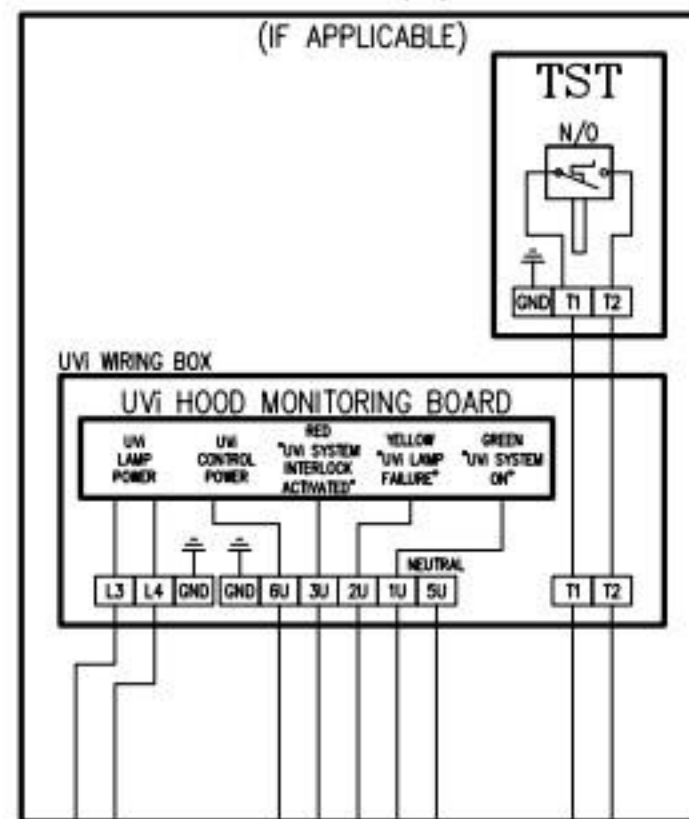
FLEX CONDUIT

UVI LAMP CIRCUIT:  
208-250VAC, 50/60HZ  
SINGLE PHASE - 20 AMP  
ONE CIRCUIT PER (2) SECTIONS

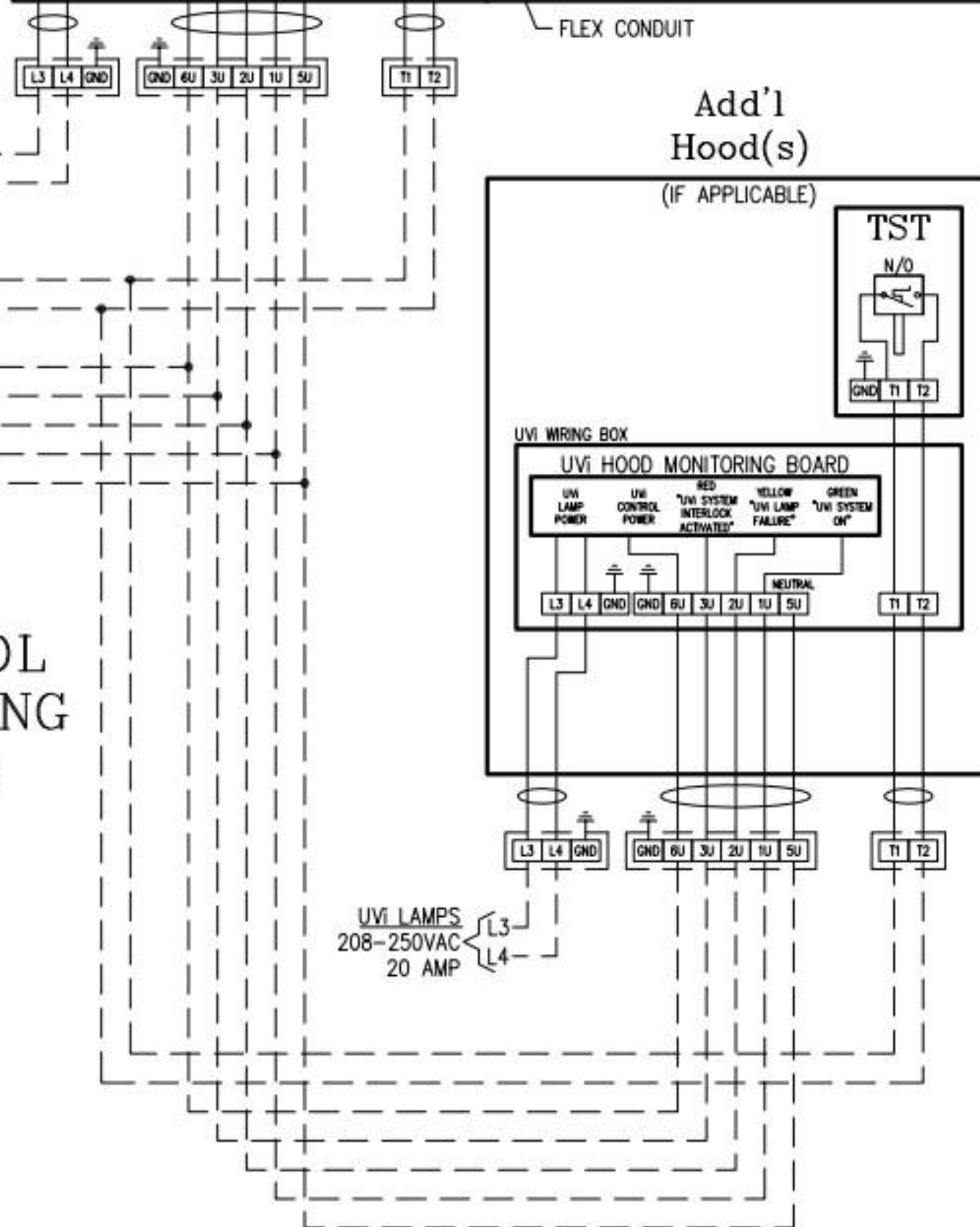


REFER TO  
WASH CONTROL  
CABINET WIRING  
DIAGRAM FOR  
DETAILS

Add'l  
Hood(s)  
(IF APPLICABLE)

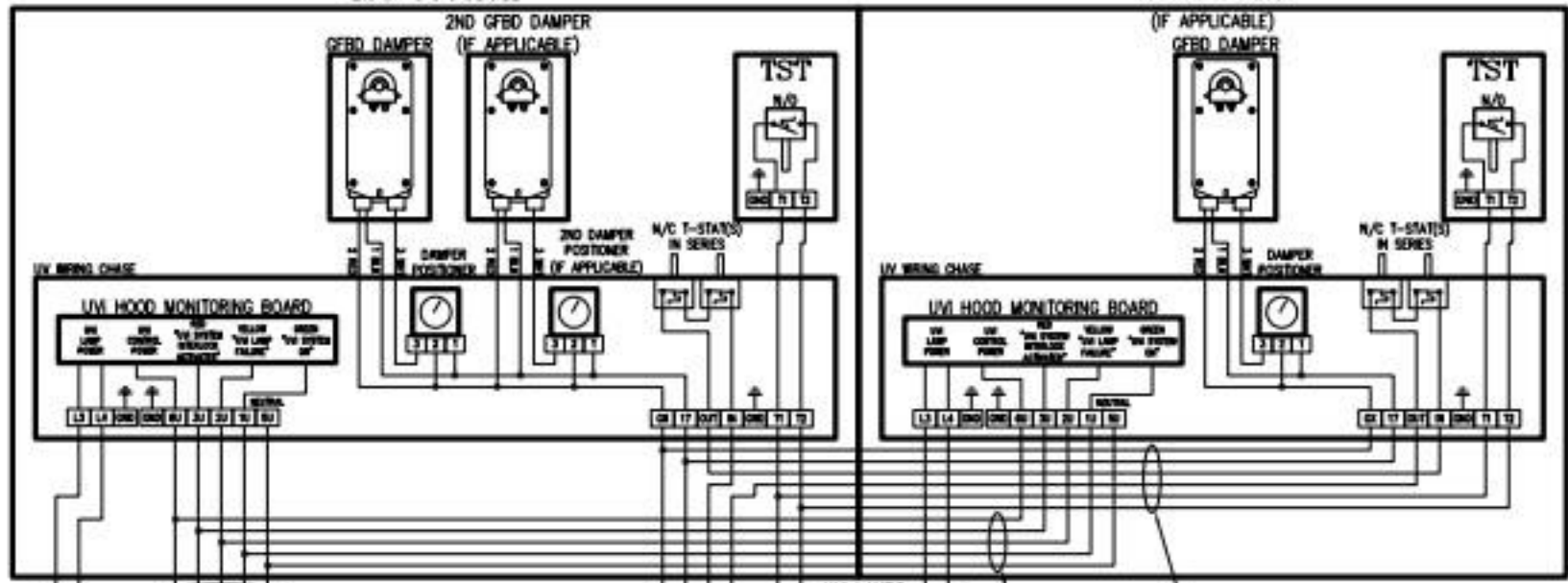


UVI LAMPS  
208-250VAC  
20 AMP



1st Hood  
1st Section

Add'l  
Section(s)



UV LAMP CIRCUIT  
208-250VAC, 50/60HZ  
SINGLE PHASE - 20 AMP  
ONE CIRCUIT PER (2) SECTIONS

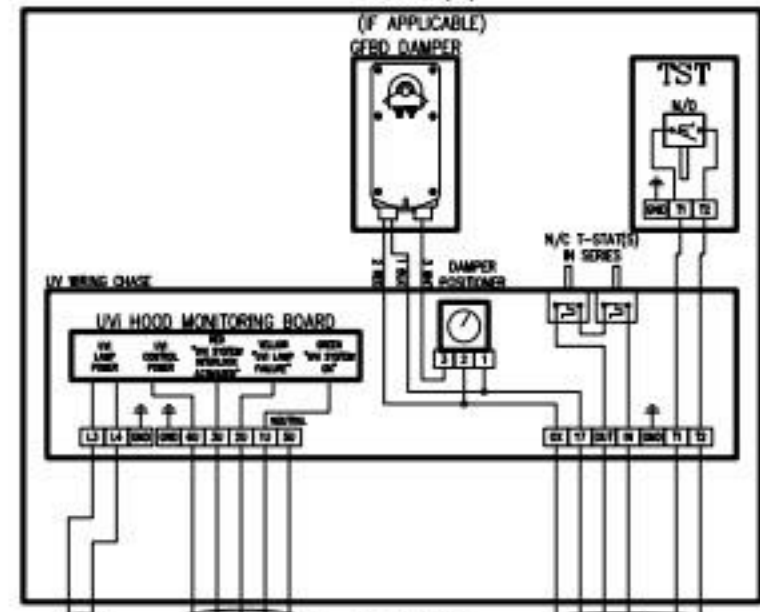
UV LAMPS  
208-250VAC  
20 AMP

FLEX CONDUIT



REFER TO  
WASH CONTROL  
CABINET WIRING  
DIAGRAM FOR  
DETAILS

Add'l  
Hood(s)



UV LAMPS  
208-250VAC  
20 AMP

FLEX CONDUIT (TYP.)

FIELD J-BOX (TYP.)