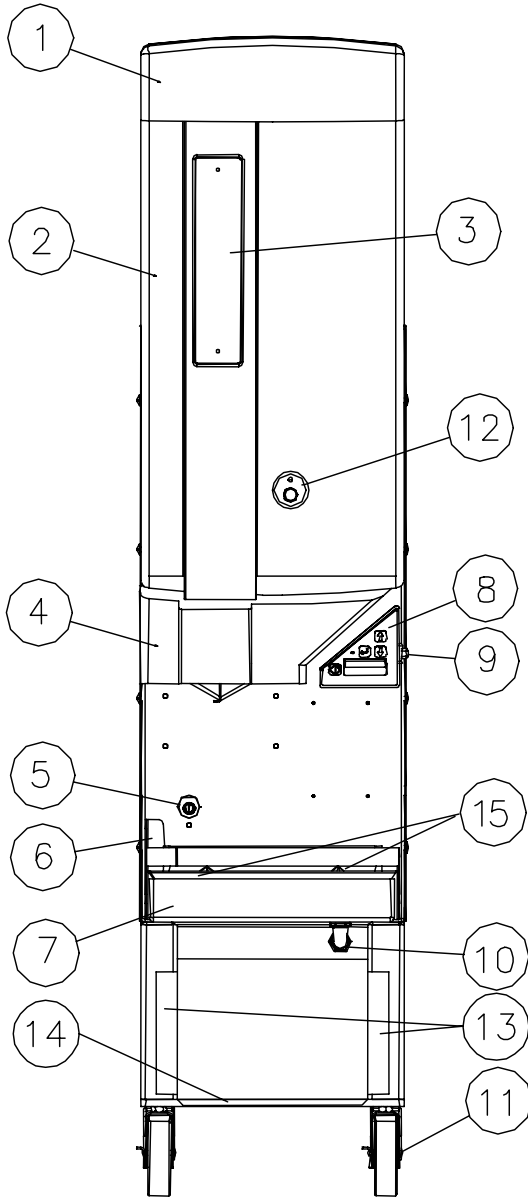


ILLUSTRATIONS & PARTS LISTS

FRONT VIEWS

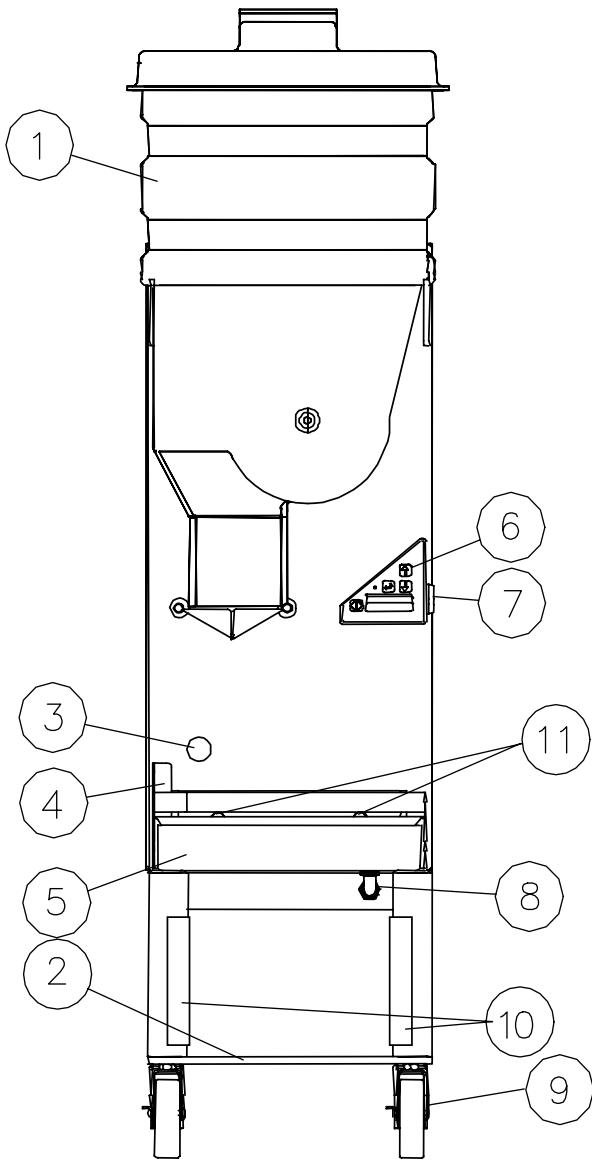
GDF14



ITEM	DESCRIPTION	PART NUMBER	QTY
1	Hopper Lid	290497	1
2	Hopper Set (Includes Hopper, Drum, Installed Window and Diverter Bolts)	290697	1
	Hopper Only	290496	1
	Drum Only (<i>Not pictured, see pg. 9, Item 2</i>)	290498	1
<i>Not pictured</i>	Diverter (<i>See pg. 9, Item 4</i>)	290500	1
	Diverter Shoulder Bolt Kit (Small)	290698	1
	Diverter Shoulder Bolt Kit (Large)	291023	1
3	Hopper Window Replacement Kit (Includes mounting hardware)	290679	1
	Window Mounting Screw only	290722	2
	Window Mounting Screw retainer only	291030	2
4	Accumulator Tray	290499	1
5	Optical Sensor Window Kit (New style sensor)	291378	1
6	Basket Rack	290516	1
7	Crumb Tray	290501	1
8	Control Panel Assembly (Includes adaptor plate for older units)	291857	1
	Control Panel only	291740	1
	Control panel overlay (Older units)	290464	1
9	On / Off Switch	202381	1
10	Power Cord		
	USA	202172	1
	European	202790	1
	Australia	202354	1
11	Swivel Caster with Brake	203391	2
12	Drum Pin Assembly	291191	1
	Drum Pin Only	291154	1
	Thumb Screw Only	291158	1
	Retaining Ring Only	291185	1
13	Stainless Steel Leg Guard Assembly (Includes mounting tape)	291063	2
14	Stainless Steel Bottom Shelf	290746	1
15	Shoulder Screw, .75" DIA X .410"	203367	2
OPT.	Fry Basket (Blue Handle)	291050	*

*Recommend (6) per Dispenser

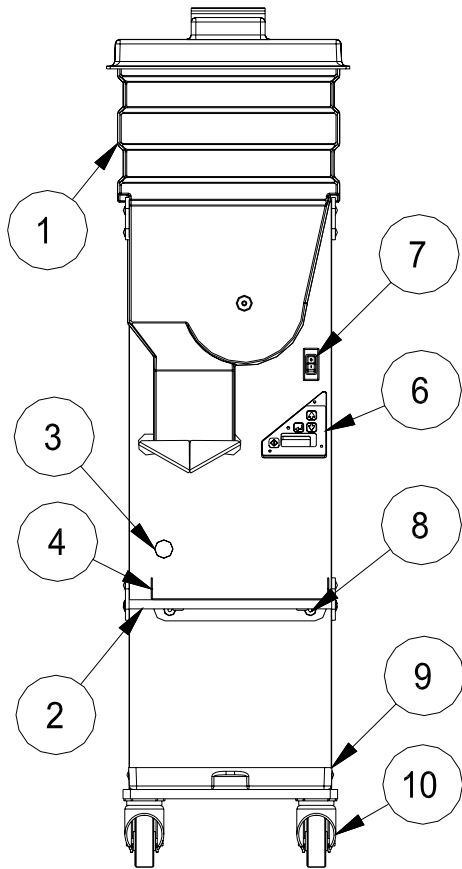
GDF14E



ITEM	DESCRIPTION	PART NO.	QTY
1	Hopper Set (Includes Lid, Hopper, and Drum)	291380	1
	Hopper Lid Only	291333	1
	Hopper Only	291332	1
	Drum Only (Not pictured, see pg.10, Item 1)	202366	1
Not pictured	Diverter (See pg.10, Item 4)	291335	1
2	Stainless Steel Bottom Shelf	290746	1
3	Optical Sensor Window Kit	291378	1
4	Basket Rack	291343	1
5	Crumb Tray	290501	1
6	Control Panel Assembly (Includes adaptor plate for older units)	291857	1
	Control Panel only	291740	1
	Control panel overlay (Older units)	290464	1
7	On / Off Switch	202381	1
8	Power Cord		
	USA	202172	1
	European	202790	1
	Australia	202354	1
9	Swivel Caster with Brake	203391	2
10	Stainless Steel Leg Guard Assembly (Includes mounting tape)	291063	2
11	Shoulder Screw, .75" DIA X .410"	203367	2
OPT.	Fry Basket (Blue Handle)	291050	*

*Recommend (6) per Dispenser

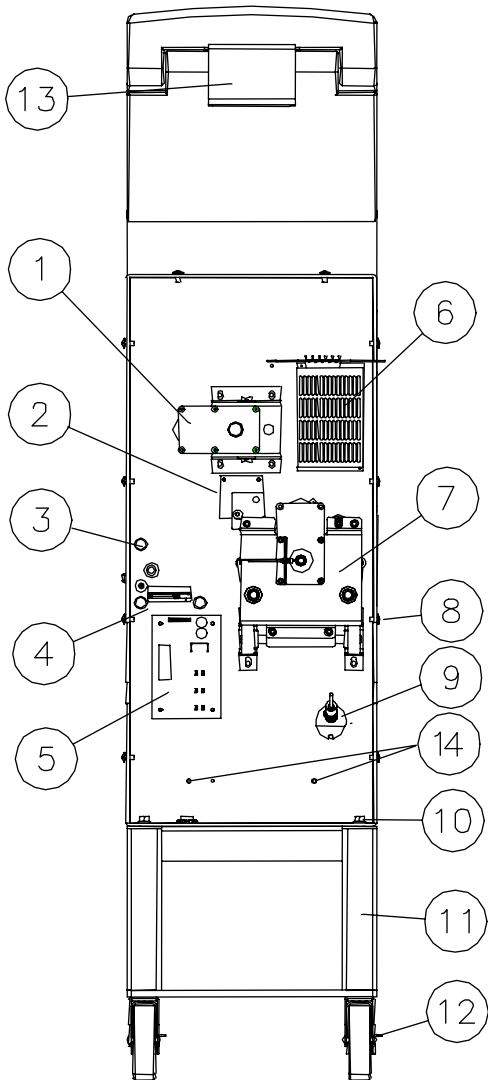
GDF14EL



ITEM	DESCRIPTION	PART NO.	QTY
1	Hopper Set (Includes Lid, Hopper, and Drum)	291380	1
	Hopper Lid Only	291333	1
	Hopper Only	291332	1
	Drum Only (<i>Not pictured, see pg. 10, Item 1</i>)	202366	1
<i>Not pictured</i>	Diverter (<i>See pg. 11, Item 4</i>)	291335	1
2	Support Rod	293428	1
3	Optical Sensor Window Kit	291378	1
4	Basket Rack	293265	1
5 <i>not shown</i>	Power Cord USA European Australia	202172 202790 202354	1
6	Control Panel	291740	1
7	On / Off Switch	202381	1
8	Locator Pin	290687	2
9	Drip Tray Locator pins	293431 290687	1 2
10	Swivel Caster with Brake	216596	2
OPT.	Fry Basket (Blue Handle)	291050	*
*Recommend (6) per Dispenser			

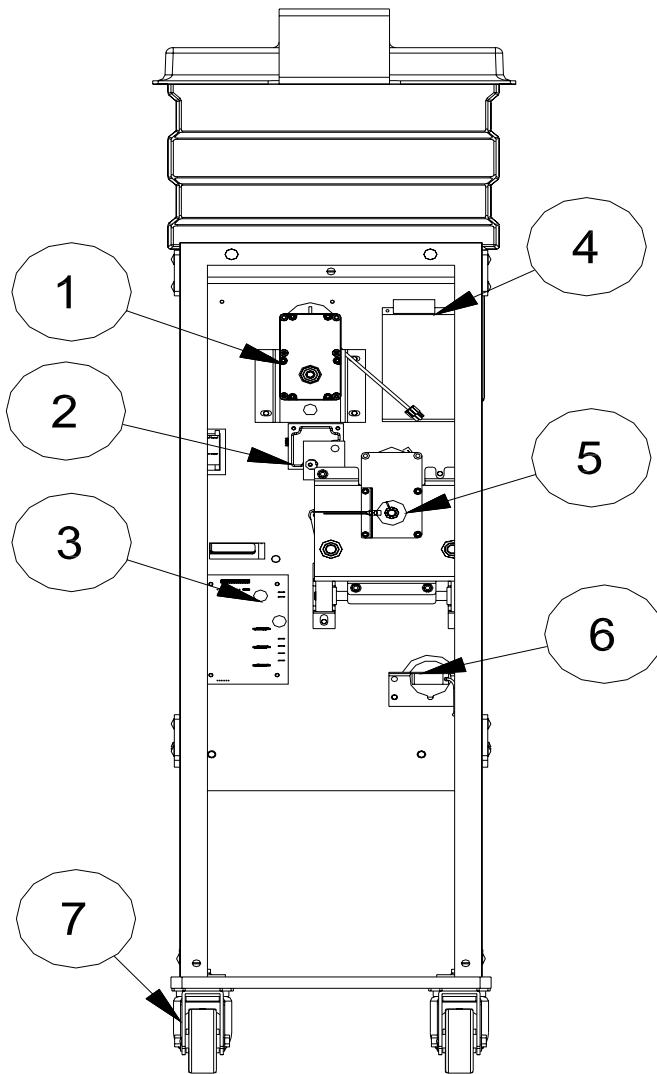
REAR VIEWS

GDF14



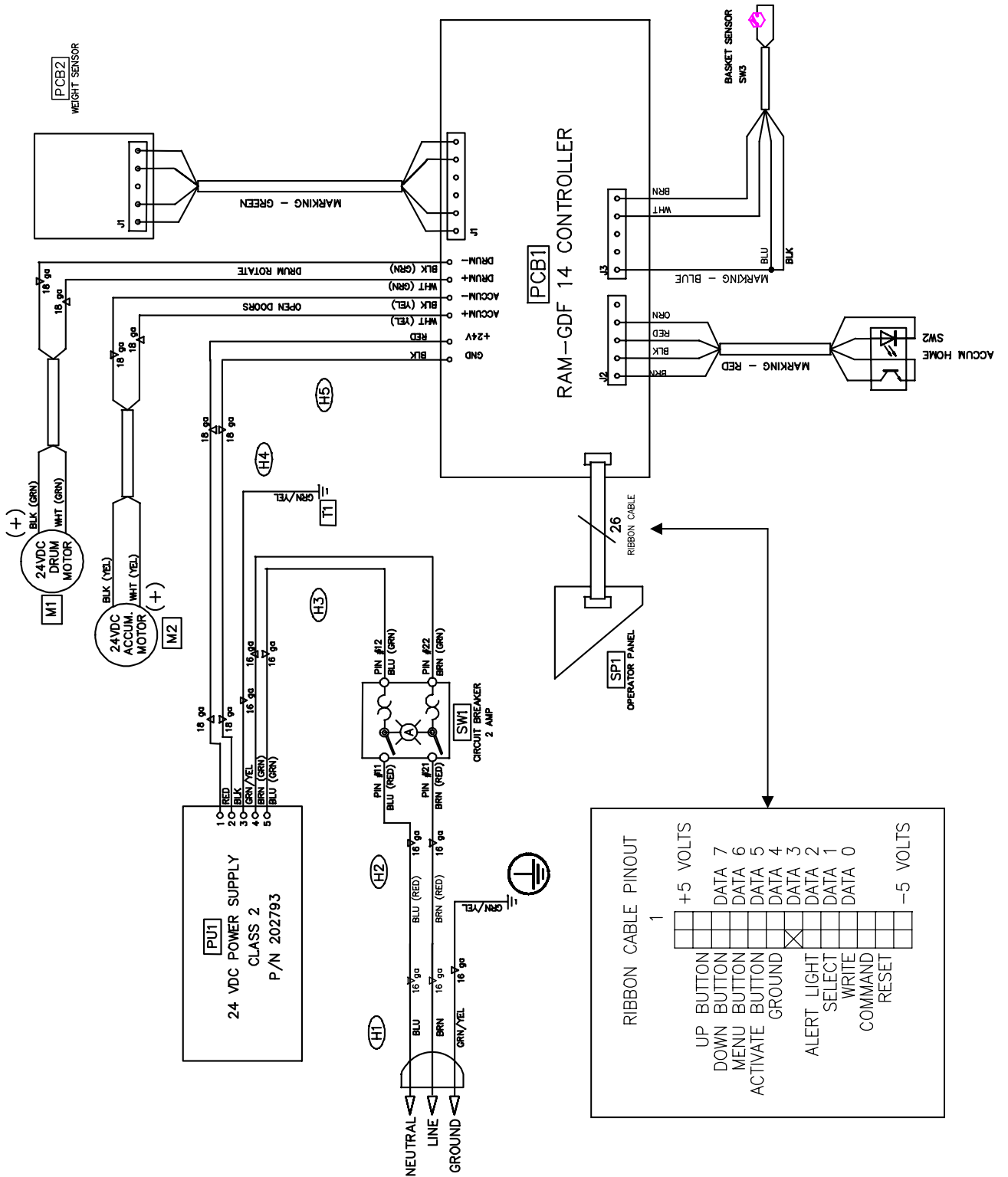
ITEM	DESCRIPTION	PART NO.	QTY
1	Drum Motor Drive Assembly	See pg. 37	1
2	NCWS PCB	290519	1
3	High Voltage Wiring Feed through Power Harness	290536	1
4	Control Panel Wiring Duct Ribbon Cable, 26 conductor	290599	1
5	Controller Board	290551	1
6	Power Supply Stand Off, 6-32 x 3/4" Hex Screw with Washer, 6-32 x 3/8"	202793 290541 202795	1 2 2
7	Accumulator Doors Drive Assembly	See pg. 34	1
8	Back Cover Mounting Screws	202077	10
9	Optical Sensor Kit (To replace older style sensor, see page 25) Optical Sensor Only (New style) Optical Sensor Window Kit	291762 291727 291378	1 1 1
10	Mounting Bolts Mounting Nuts	290533 290534	4 4
11	Dispenser Cart	290548	1
12	Fixed Caster	290547	2
13*	Hanger (used on GDF14 only) Mounting Screws	290726 290727	1 2
14	Nut, Nylon Insert, 18-8 SST, 1/4-20	290086	2
Not Shown	Back Cover	290465	1
	Power Cord	202172	1

GDF14EL

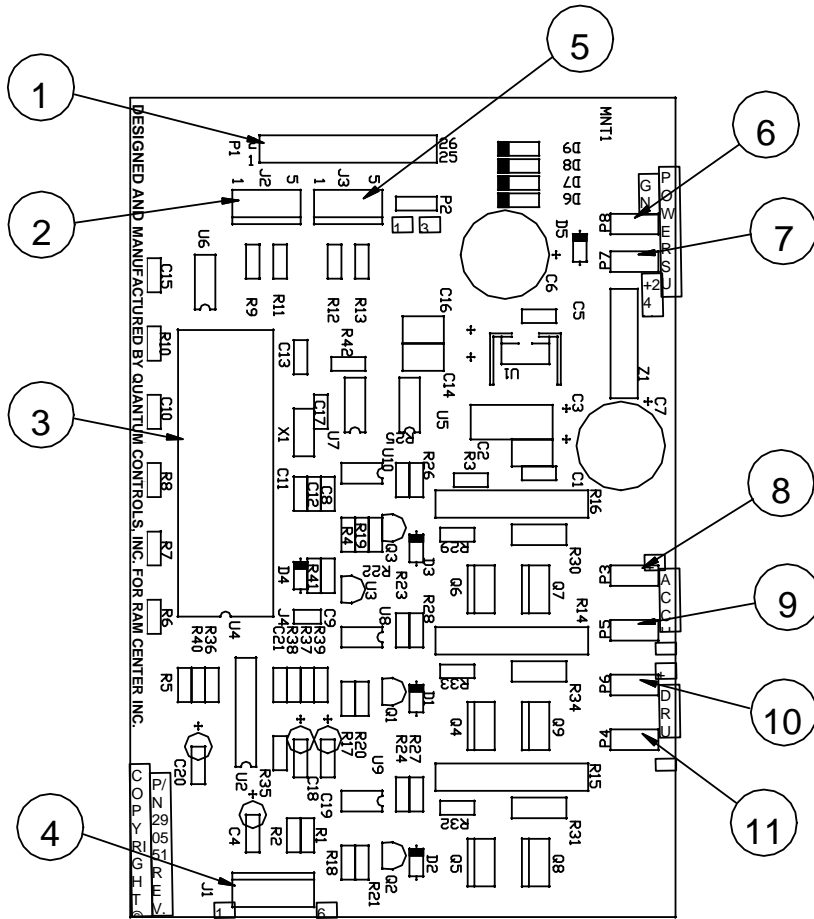


ITEM	DESCRIPTION	PART NO.	QTY
1	Drum Motor Drive Assembly	See pg 37	1
2	NCWS PCB	290519	1
3	Controller Board	290551	1
4	Power Supply	202793	1
	Stand Off, 6-32 x 3/4" Hex	290541	2
	Screw with Washer, 6-32 x 3/8"	202795	2
5	Accumulator Doors Drive Assembly	See pg 34	1
6	Optical Sensor (sensor only)	291727	1
	Sensor kit (sensor, bracket, window, and Adhesive Mounting Gasket	291762	1
	Sensor Window and Gasket only	291378	1
7	Fixed Caster	293434	2
<i>Not Shown</i>	Back Cover	293430	1
	Handle	202523	1
	Door mounting Screws, 10-32 x .50	213559	3
	Power Cord	202172	1

SYSTEM SCHEMATIC



CONTROLLER LAYOUT

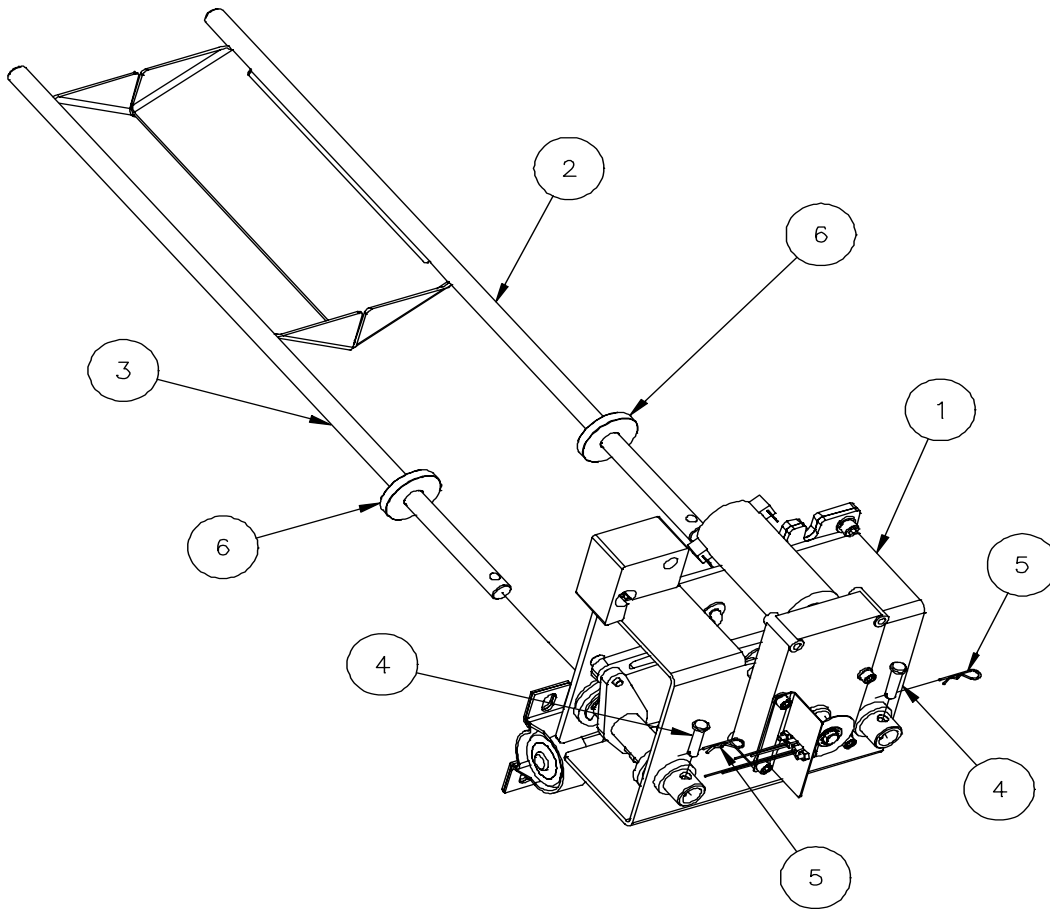


ITEM	DESCRIPTION
1	Display Connector – Ribbon Cable
2	Accumulator Home Sensor – Red Band
3	Controller / Prog EPROM
4	Weight Sensor Connector – Green Band
5	Basket Sensor Connector – Blue Band
6	Power Supply Connection - Black
7	Power Supply Connection – Red
8	Motor Connections – White (Yellow)
9	Motor Connections – Black (Yellow)
10	Motor Connections – White (Green)
11	Motor Connections – Black (Green)

GDF14 EPROM and Software Languages		
290718 Americas (AM)	290719 European (EU)	290720 Scandinavian (SC)
English	English	English
Spanish	French	Finnish
French-Canadian	Dutch	Swedish
Portuguese	German	Norwegian
-	Italian	-

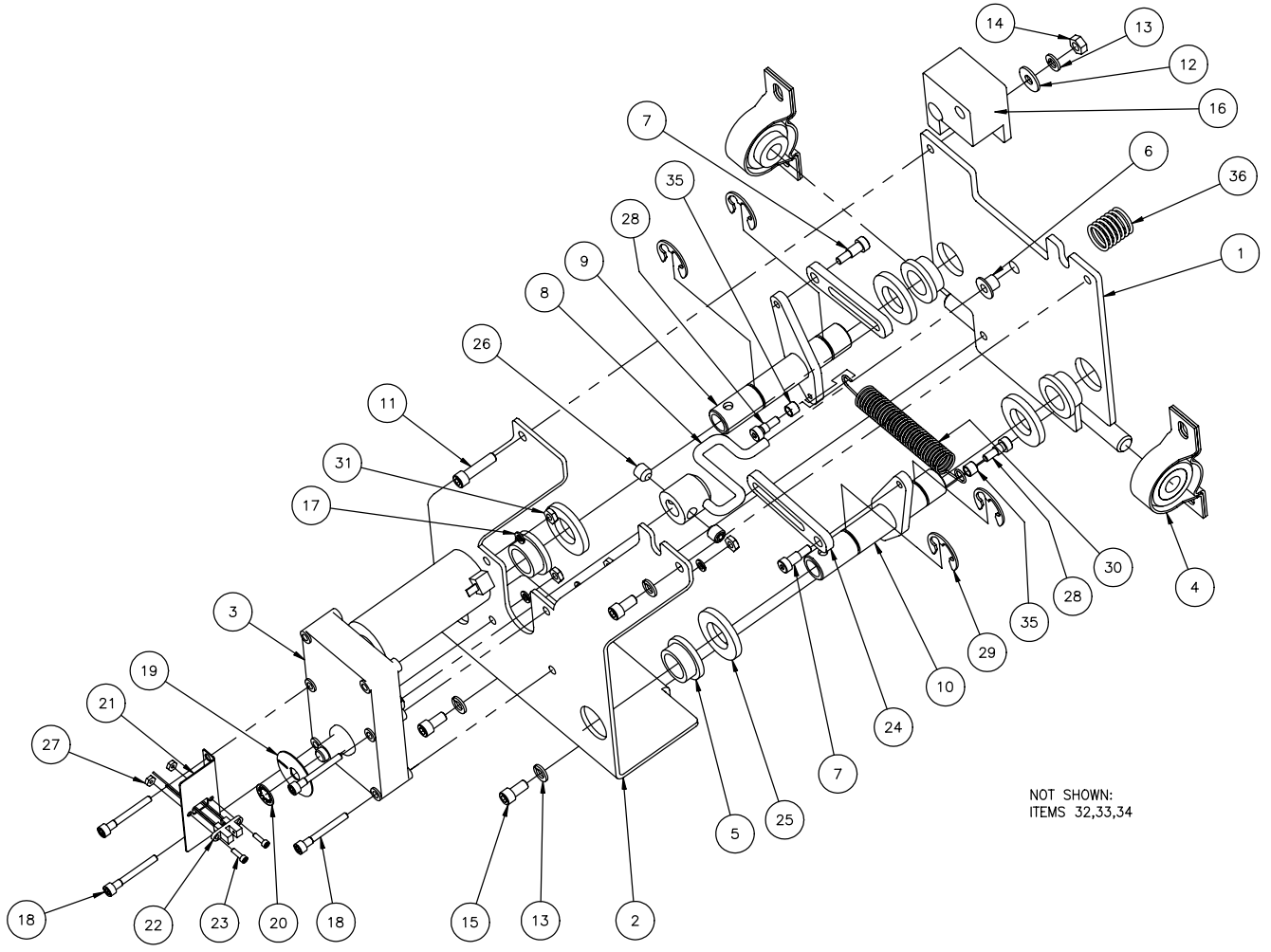
GDF14E/EL EPROM and Software Languages		
291365 four presets 291626 three presets Americas (AM)	291366 four presets 291627 three presets European (EU)	291367 four presets 291628 three presets Scandinavian (SC)
English	English	English
Spanish	French	Finnish
French-Canadian	Dutch	Swedish
Portuguese	German	Norwegian
-	Italian	-

ACCUMULATOR DOORS ASSEMBLY



ITEM	DESCRIPTION	PART NUMBER	QUANTITY
1	Accumulator Drive Assembly	290512	1
2	Accumulator Door, Left Hand For model GDF14 For model GDF14E/EL	290483 291437	1
3	Accumulator Door, Right Hand For model GDF14 For model GDF14E/EL	290484 291438	1
4	Clevis Pin	202082	2
5	Hairpin Clip	202081	2
6	Accumulator, Collar	290603	2

ACCUMULATOR DRIVE ASSEMBLY

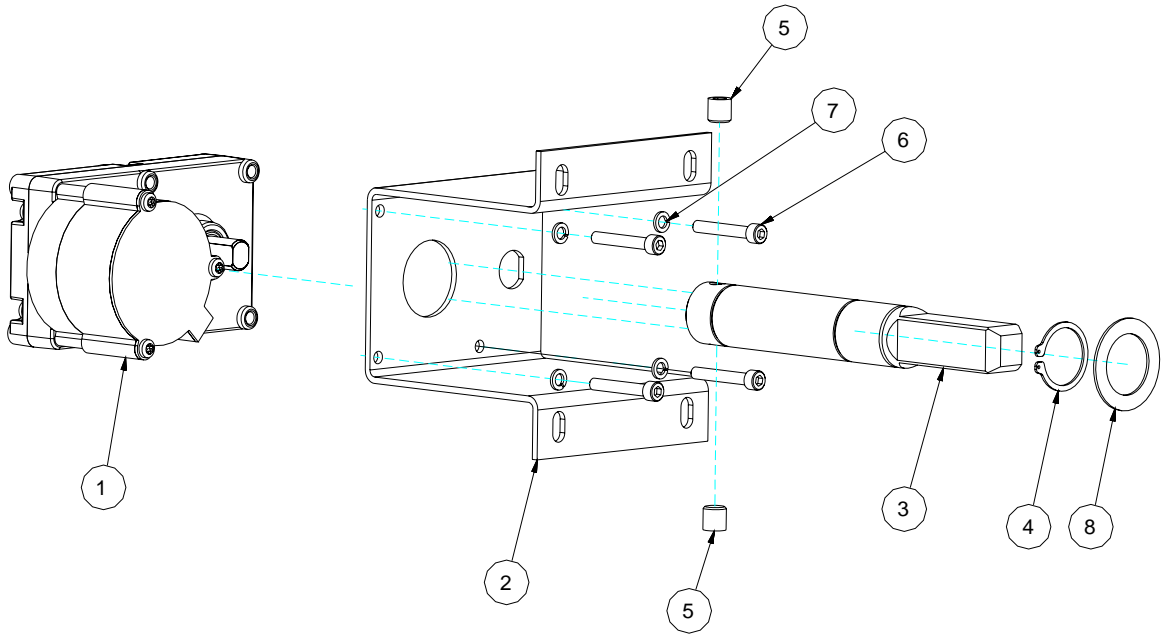


NOT SHOWN:
ITEMS 32,33,34

Complete Accumulator Drive Assembly

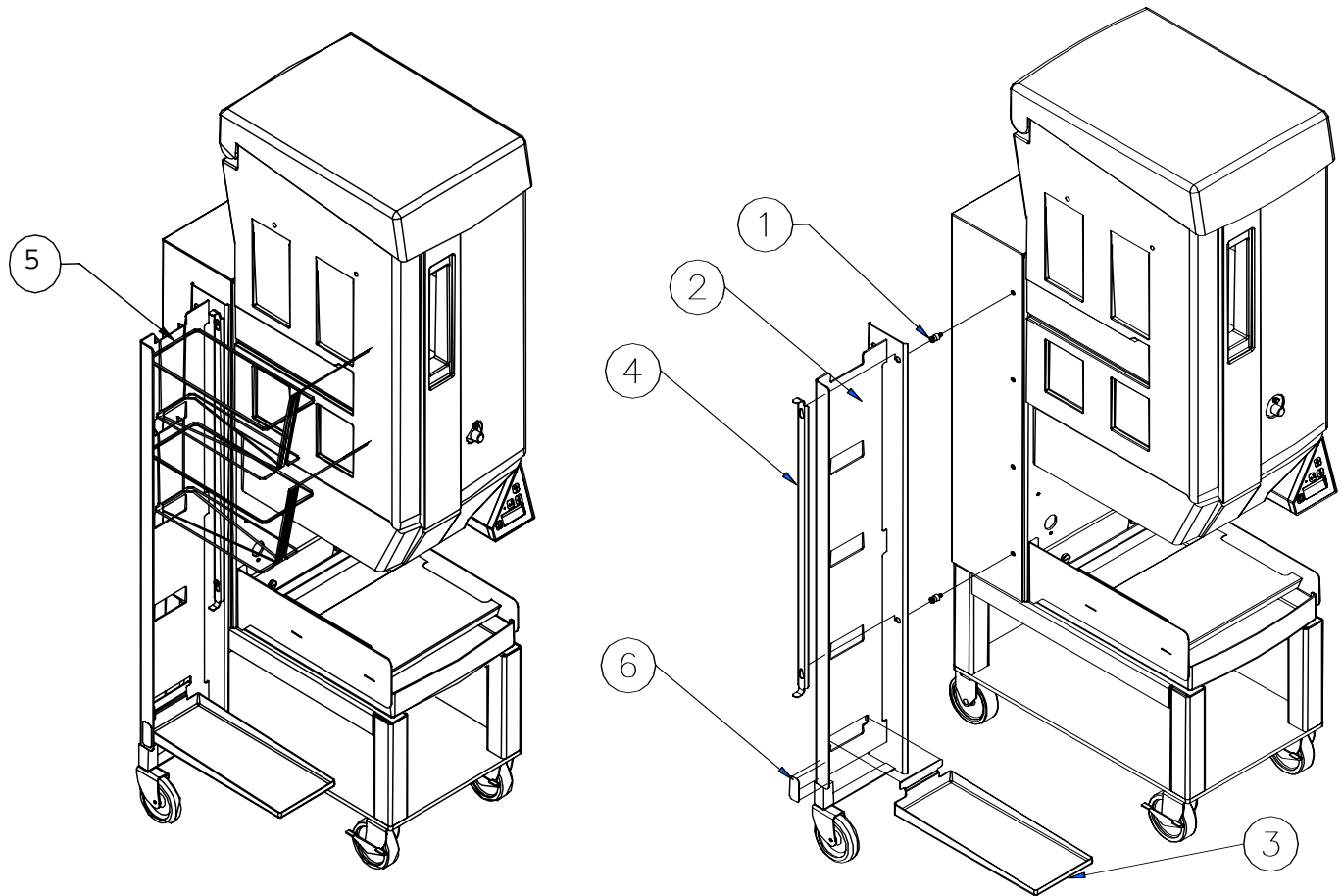
ITEM	DESCRIPTION	PART NUMBER	QUANTITY
1	Accumulator assembly plate	290468	1
2	Accumulator cover	290469	1
3	Accumulator Gearmotor, 24 VDC, Kit	290629	1
4	Bearing	290477	2
5	Flange bearing, 3/4" x 1" x 3/4"	290517	4
6	Flange bearing, 1/4" x 3/8" x 1/2"	290518	1
7	Socket head shoulder screw, zinc plated, 5/16" x 3/8"	290294	2
8	Crank assembly	290472	1
9	Arm assembly, Left hand	290475	1
10	Arm assembly, Right hand	290476	1
11	Socket head cap screw, zinc plated, 1/4-20 x 1"	213539	1
12	Flat washer, SAE standard, zinc plated, 1/4"	213141	1
13	Lock washer, zinc plated, 1/4"	213142	4
14	Hex nut, Grade 5, zinc plated, 1/4-20	213260	1
15	Socket head cap screw, zinc plated, 1/4-20 x 1/2"	213143	3
16	Assembly, magnet mount	290524	1
17	Lock washer, zinc plated, #10	213140	4
18	Socket head cap screw, zinc plated, 10-32 x 1 1/2"	213518	4
19	Vane, home registration	290505	1
	Kit, Vane, home registration (includes items 19 and 20)	290747	1
20	Self-locking retaining ring, 3/8"	290525	1
21	Mounting bracket, home sensor	290504	1
22	Wiring harness, accumulator home sensor	290627	1
23	Socket head cap screw, zinc plated, 4-40 x 3/8"	213663	2
24	Linkage, accumulator door	290478	2
25	Flat washer, zinc plated, 3/4" x 1 1/2"	290634	4
26	Socket head set screw, locking, zinc plated, 3/16"-24 x 3/16"	290653	2
27	Hex nut, zinc plated, 4-40	290529	2
28	Socket head shoulder screw, alloy steel, 1/4" x 1/4"	290635	2
29	E-style retaining ring, zinc plated, 3/4"	290531	4
30	Extension spring	203260	1
31	Hex nut, zinc plated, #10-32	213138	4
32	<i>Wiring harness, accumulator motor (not illustrated)</i>	290537	1
33	<i>Cable tie, nylon, 3-1/2" (not illustrated)</i>	213176	1
34	<i>Adhesive backed cable tie mount (not illustrated)</i>	213321	1
35	Plastic sleeve bearing, 1/4" x 5/16" x 1/4"	203259	2
36	Spring, Compression, Weighing System For model GDF14: For model GDF14E/EL:	290520 291356	1

DRUM MOTOR DRIVE ASSEMBLY



ITEM	QTY	PART NUMBER	DESCRIPTION
1	1	292546	Kit, Gear Motor, 24VDC, Drum
2	1	202797	Mounting Bracket, Motor
3	1	203380	Drum Shaft
4	1	213911	Retaining Ring, External, Zinc Plated, 1"
5	2	290653	Set Screw, Socket Head, Cup Point, 3/8-24x3/8"
6	4	213136	Cap Screw, Socket Head, Zinc Plated, 10-32 x 1 1/4"
7	4	213140	Lock Washer, Zinc Plated, #10
8	1	202896	Flat Washer, Zinc Plated 1"x1 1/2" x .047"
9	1	290124	Harness, Distribution, 24VDC, 30"

BASKET RACK ASSEMBLY GDF14



(OPTIONAL)

For a complete Basket Rack Assembly, order part no. 291041. Fry Baskets are not included in Assembly. (See Item 5 below).

BASKET RACK REPLACEMENT PARTS		
ITEM	DESCRIPTION	PART NUMBER
1	Basket Rack Mounting Screw	293433
2	Basket Rack Kit, Side Mount	291064
3	Drip Tray Only	291047
4	Locking Plate Only	291048
5	Custom Fry Basket (Recommend quantity of 6 per dispenser)	291050
6	NSF Certification Label	291096
-	Assembly Instructions, Side Mount Basket Rack	291065

NOTES:

- The information shown above applies to both the GDF14 and the GDF14E.
- Baskets are NOT included in standard Dispenser package.

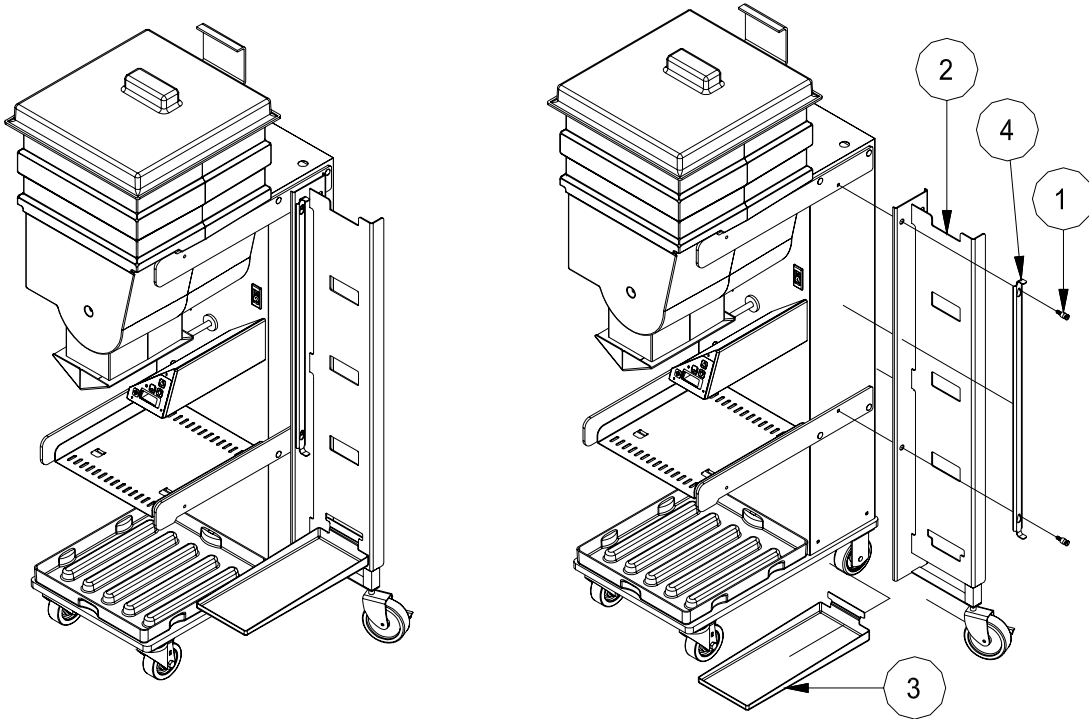
BASKET RACK ASSEMBLY GDF14EL

(OPTIONAL)

For a complete Basket Rack Assembly, order part no. 291041. Fry Baskets are not included in Assembly. (See Item 5 below).

BASKET RACK REPLACEMENT PARTS		
ITEM	DESCRIPTION	PART NUMBER
1	Basket Rack Mounting Screw	293433
2	Basket Rack Kit, Side Mount	291064
3	Drip Tray Only	291047
4	Locking Plate Only	291048
5 not shown	Custom Fry Basket (Recommend quantity of 6 per dispenser)	291050
-	Assembly Instructions, Side Mount Basket Rack	291065

- Baskets are NOT included in standard Dispenser package.



Dispenser with Basket Rack

Parts Identification