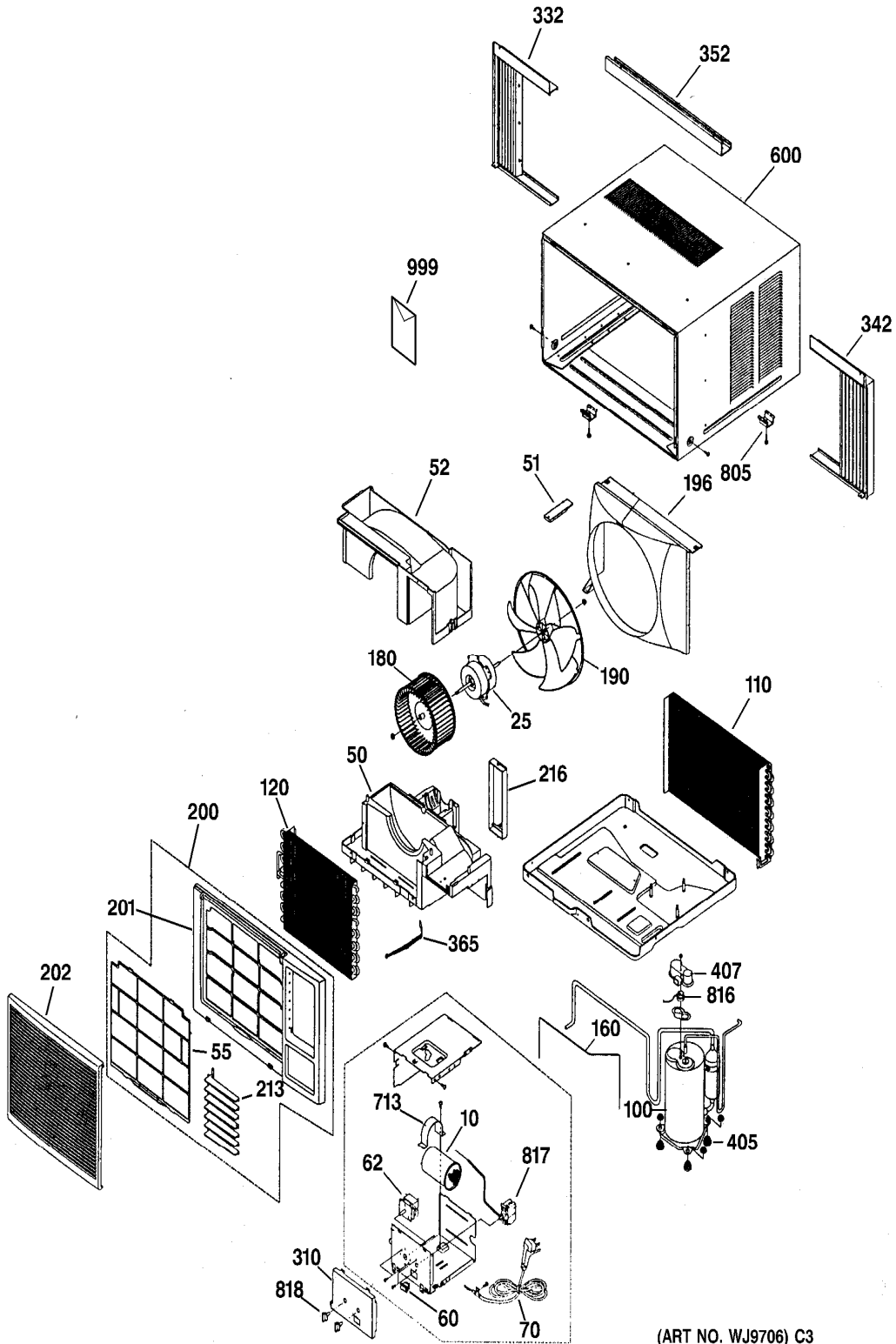


[ASM08FAS1]



(ART NO. WJ9706) C3