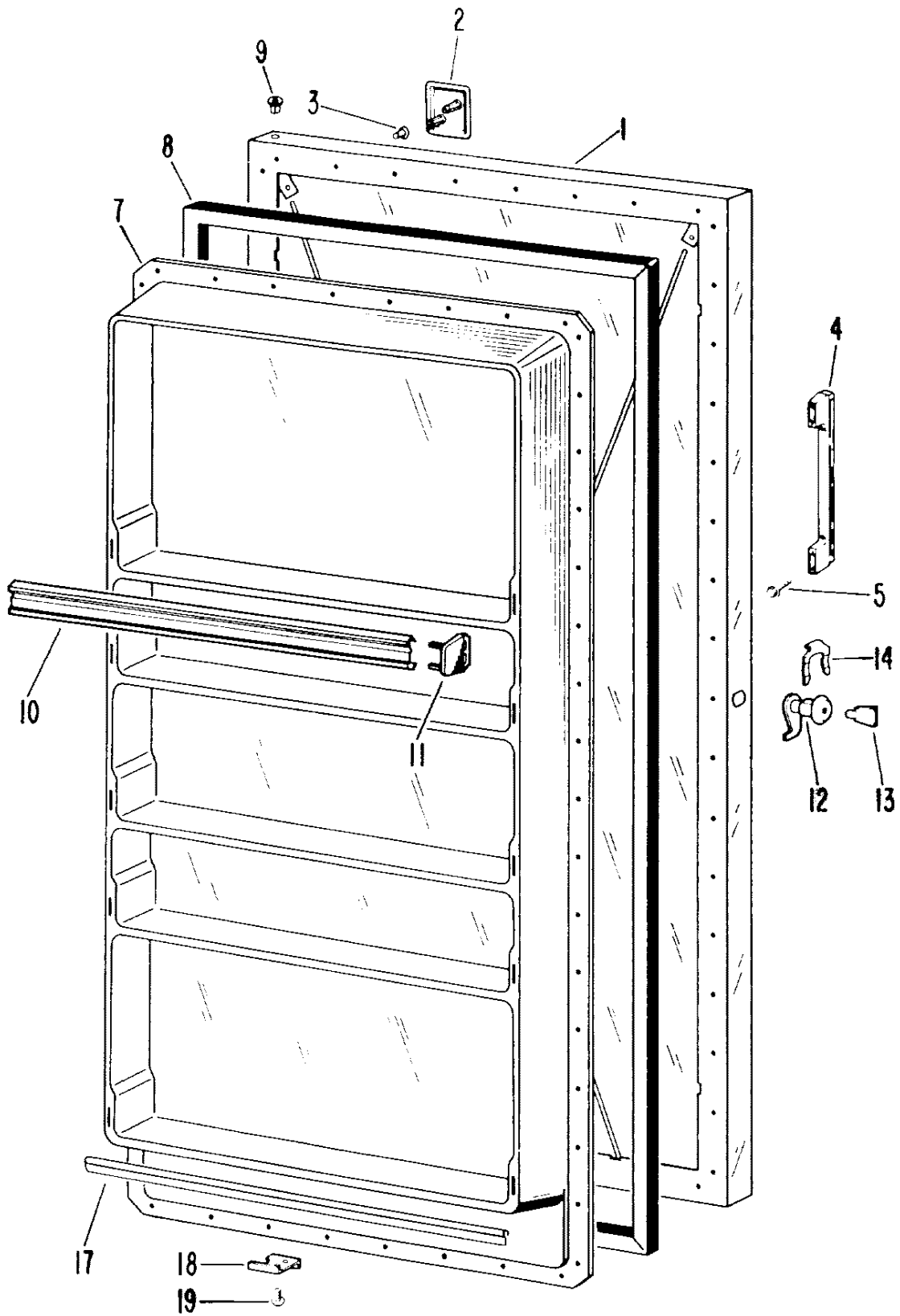
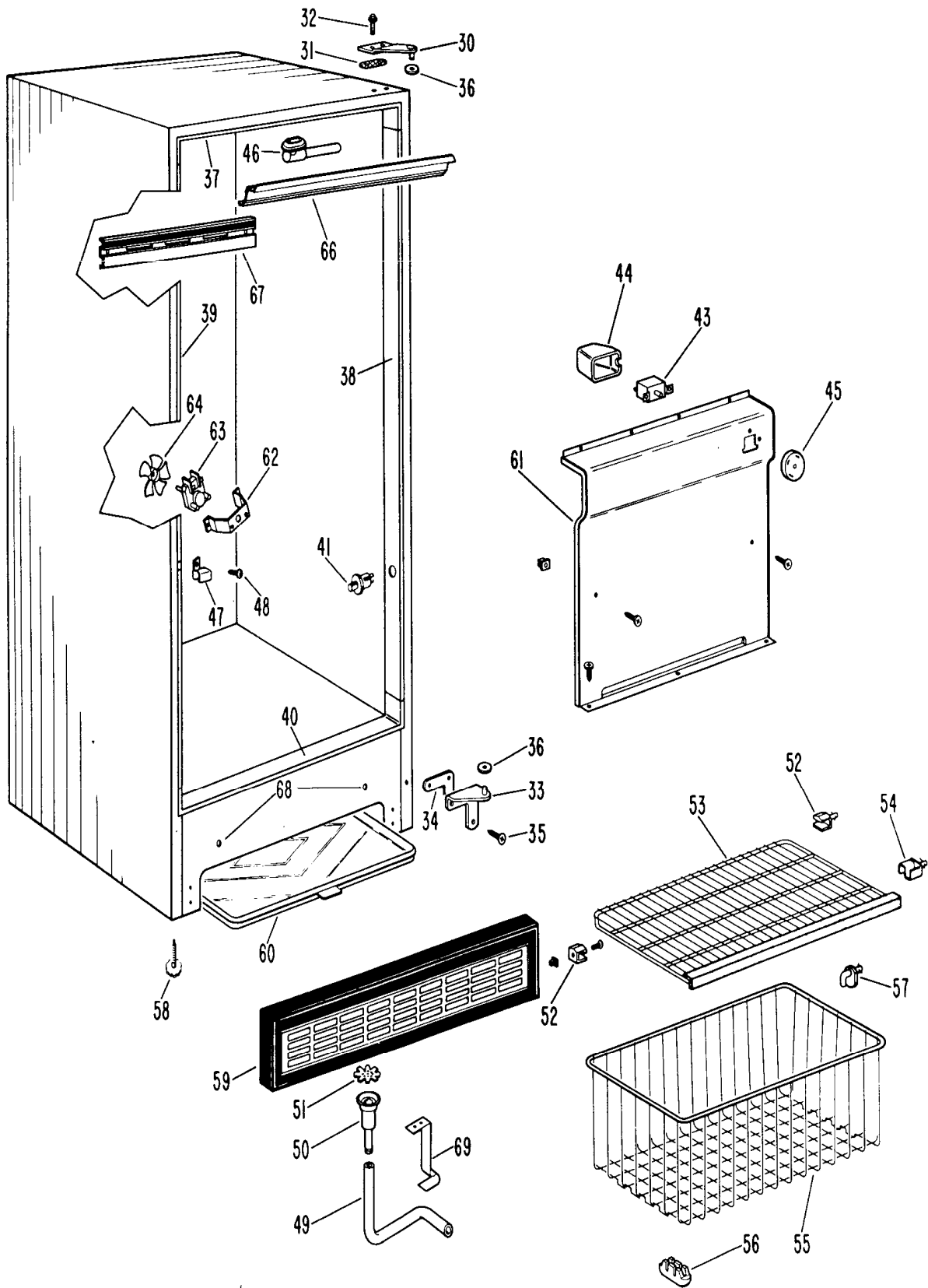


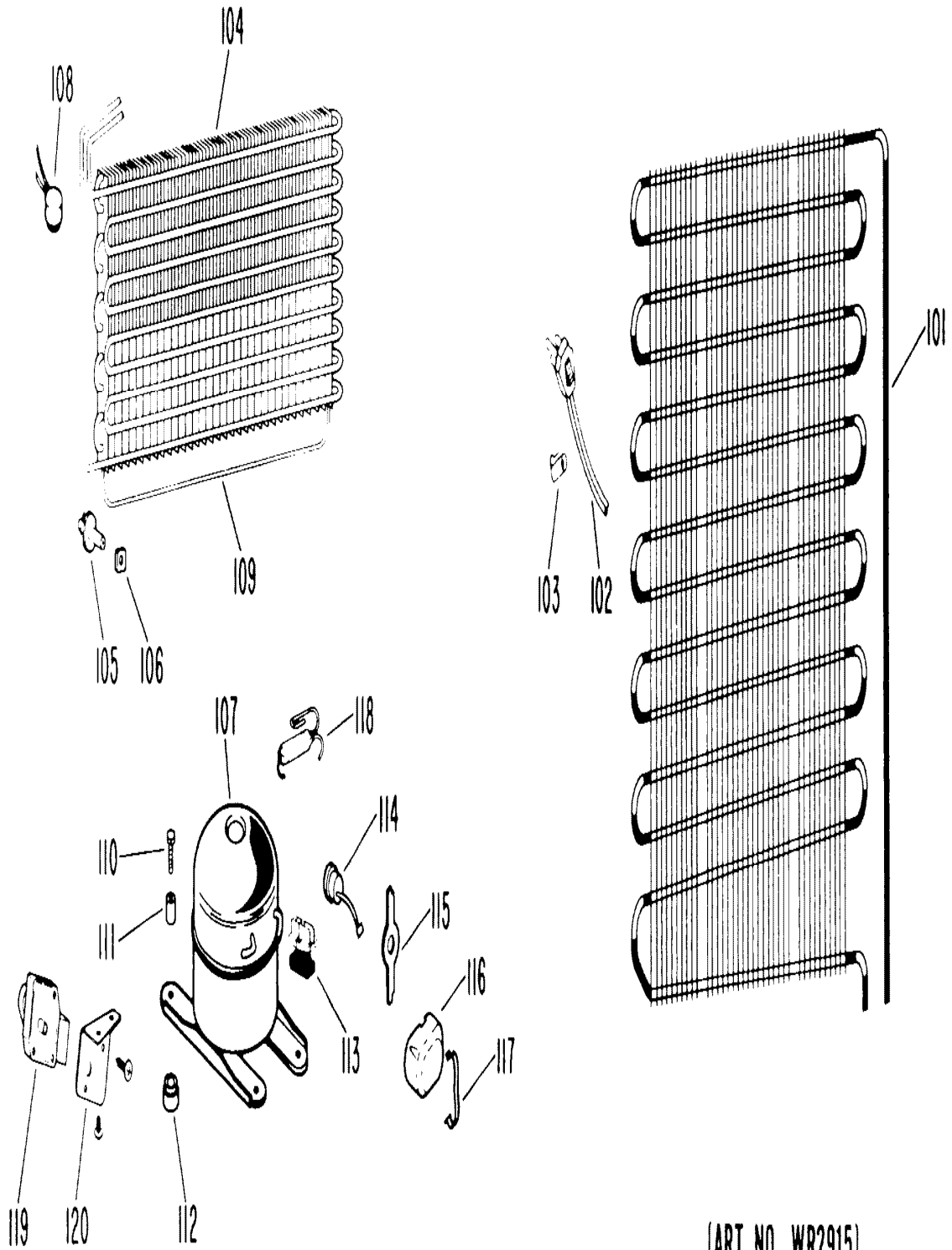
[CAF16DFB]



[CAF16DFB]



[CAF16DFB]



[ART NO. WR2915]