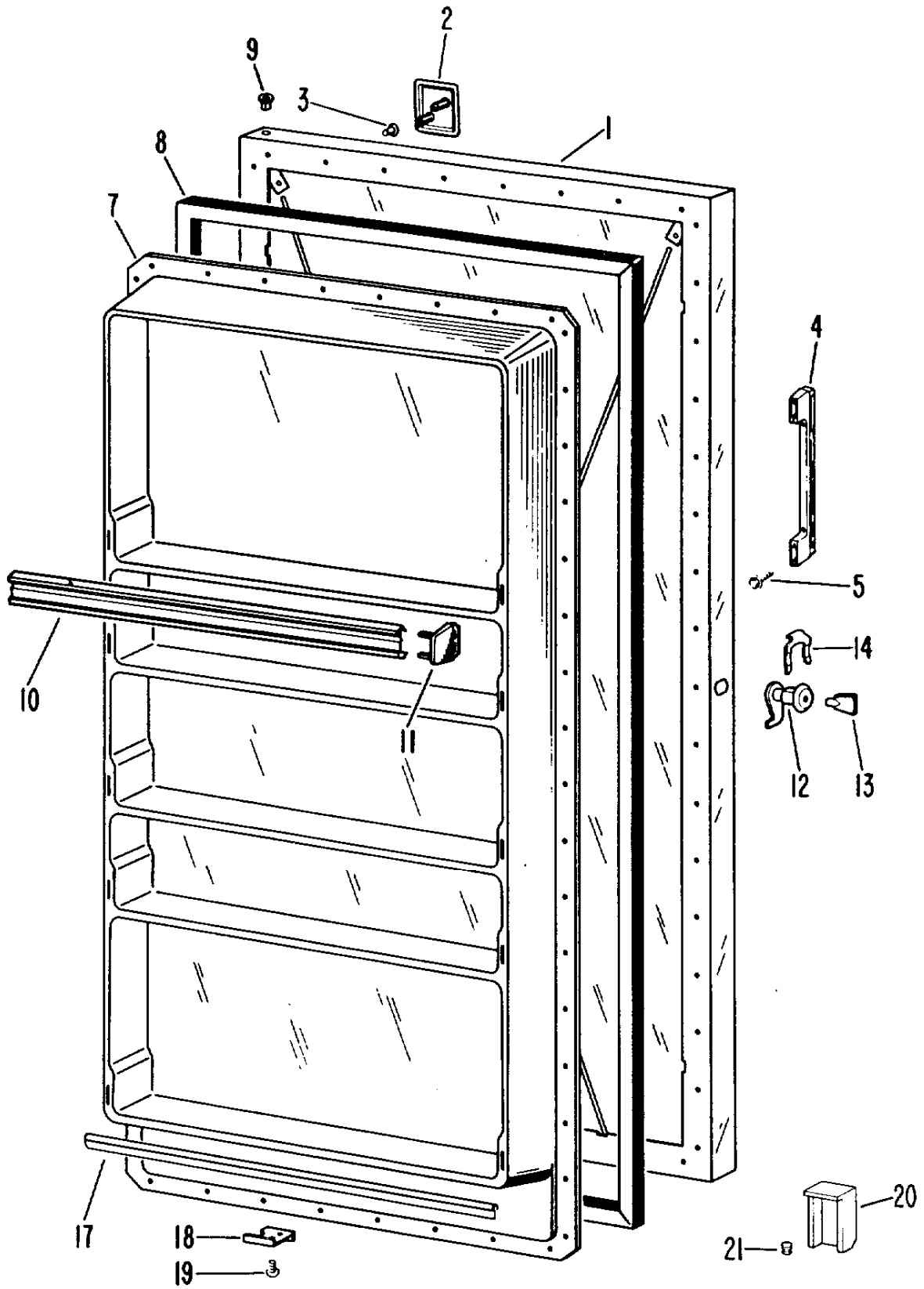
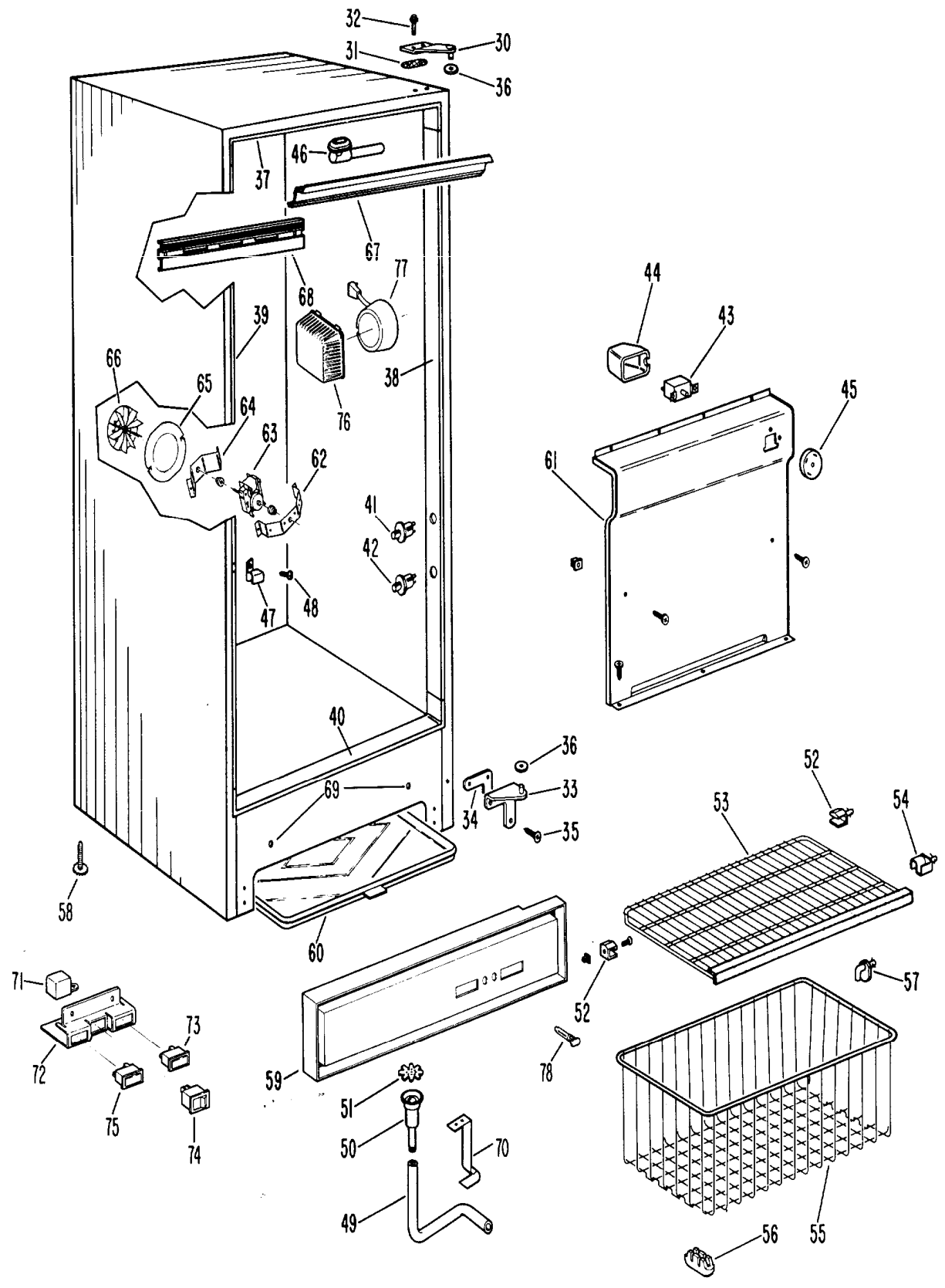


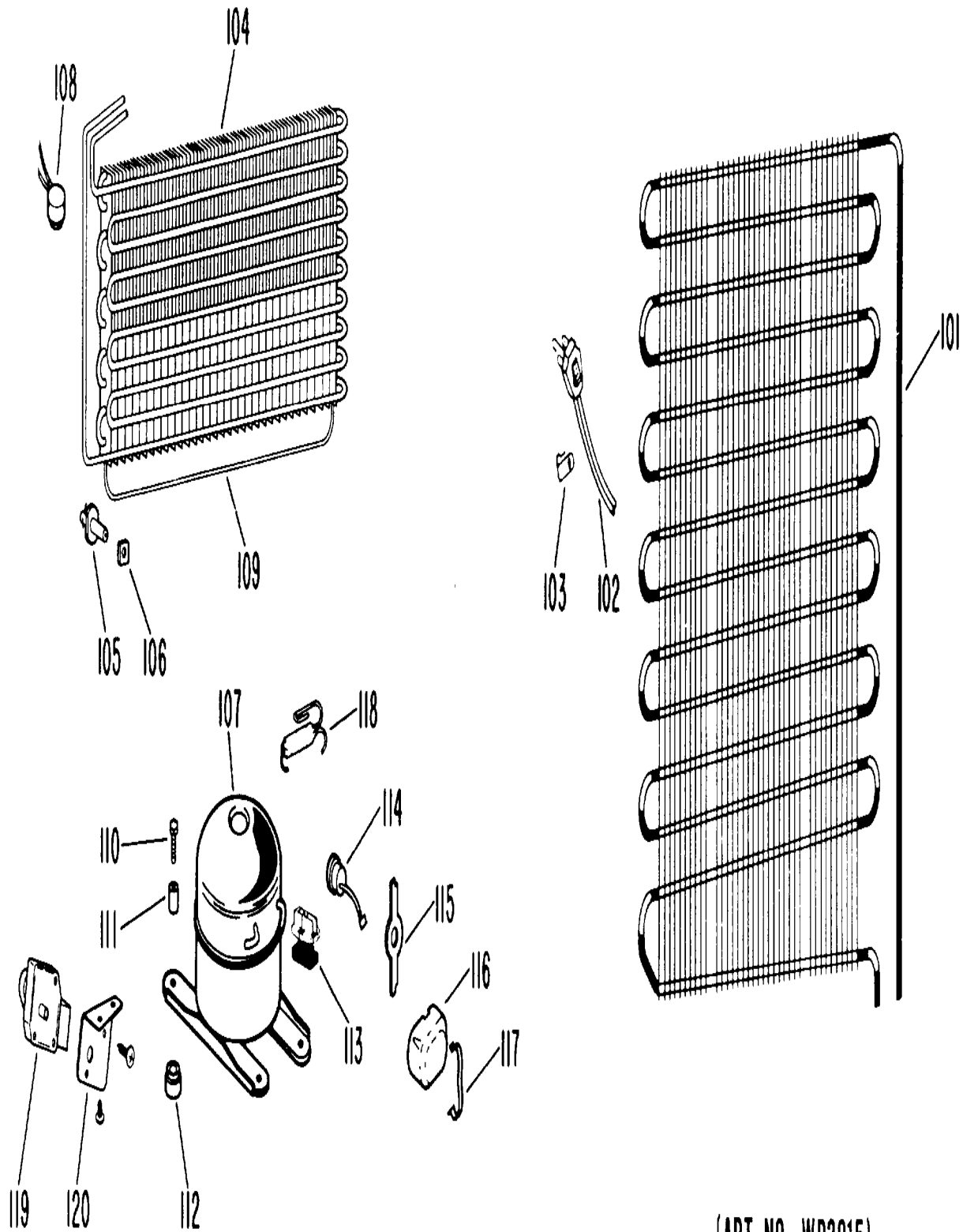
[CAF16DJB]



[CAF16DJB]



[CAF16DJB]



(ART NO. WR2915)