

# VULCAN

## CATALOG OF REPLACEMENT PARTS

### HEAVY DUTY RANGES GH, GHM AND GHX SERIES

#### ML NUMBERS

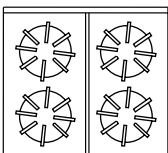
*ML-52141 thru ML-52160*  
*ML-52165 thru ML-52196*  
*ML-52217 thru ML-52224*  
*ML-126402 thru ML-126409*



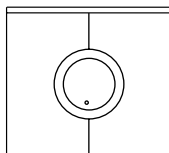
**For additional information on Vulcan-Hart or to locate an authorized parts and service provider in your area, visit our website at [www.vulcanhart.com](http://www.vulcanhart.com)**

### Table of Contents

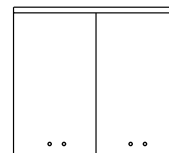
Page	Description
3	Gas Range Configurations
7	GH30/30C, GHM30/30C
10	GH45/GHM45
13	GH72/GHM72
16	GH6/GHM6
19	GH56/GHM56, GH56S
22	GH3/72, GH3/72C, GH3/72S, GHM3/72
25	GH60/GH60T, GHM60/GHM60T
28	GH60/72, GH60T/72, GHM60/72, GHM60T72
31	GH72/45, GHM72/45
34	GH60/45, GH60T/45, GHM60T/45, GH6045C, GH6T45C
37	GH45/72, GHM45/72
40	Convection Oven Parts
43	GHX45/GHXM45
45	GHX72/GHXM72
47	GHX60/GHXM60, GHX60T/GHXM60T
49	Oven Racks and Supports
50	Recommended Spare Parts



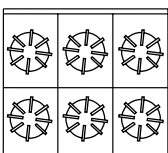
GH45  
GH45C



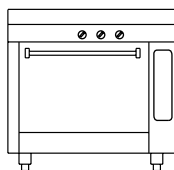
GH30  
GH30C



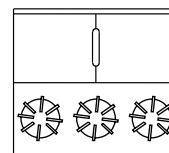
GH72  
GH72C



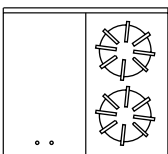
GH6  
GH6C



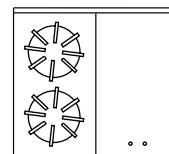
GH MODELS  
FULL BODY  
34" WIDE



GH3/72  
GH3/72C



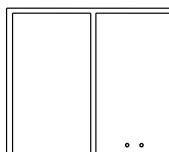
GH72/45  
GH72/45C



GH45/72  
GH45/72C

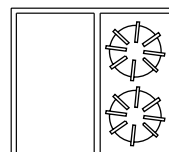


GH60/GH60T  
GH60/GH60TC

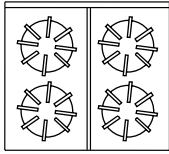


GH60/72/GH60T72  
GH60/72/GH60T72C

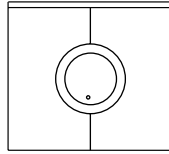
PL-55000



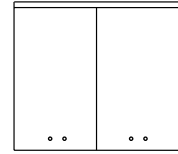
GH60/45/GH60T/45  
GH60/45/GH60T/45C



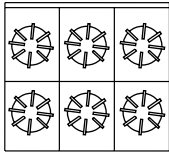
GHM45



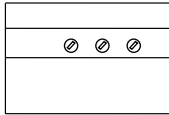
GHM30



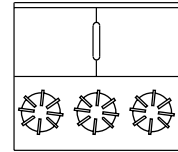
GHM72



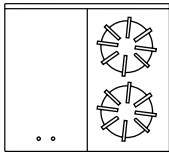
GHM6



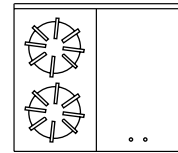
GHM MODELS



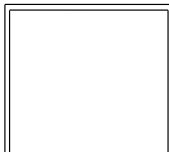
GHM3/72



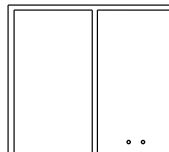
GHM72/45



GHM45/72

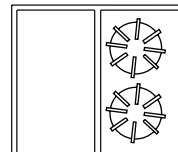


GHM60  
GHM60T

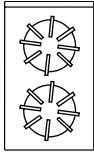


GHM60/72  
GHM60T/72

PL-55001



GHM60/45  
GHM60T/45



GHX45



GHX72

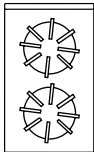


GHX60  
GHX60T



GHX 18" WIDE  
FULL BODY MODELS  
WITH CABINET

MODEL GHXM SERIES MODULAR EXPANDO RANGES



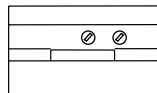
GHXM45



GHXM72



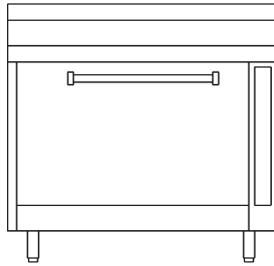
GHXM60  
GHXM60T



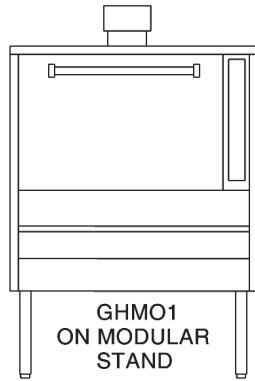
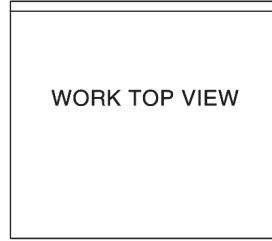
GHXM MODELS

PL-51389

GHO1  
SINGLE  
OVEN

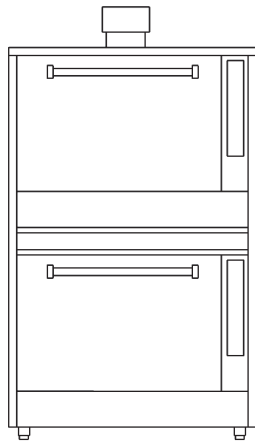


WORK TOP VIEW



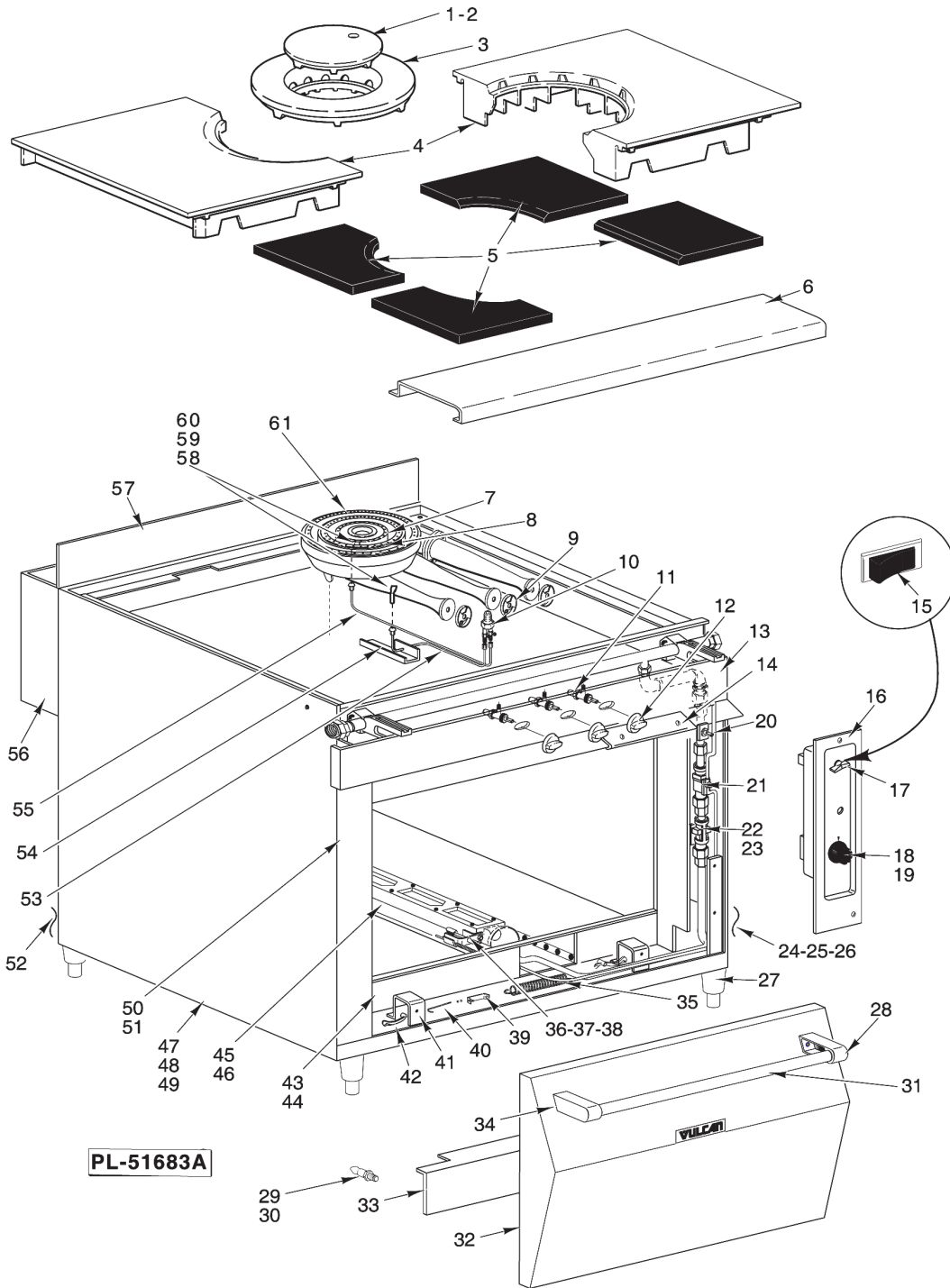
GHM01  
ON MODULAR  
STAND

GHO1  
SINGLE  
OVEN



GH02  
DOUBLE  
STACKED  
OVEN

PL-51390



**RANGE - GH30/30C, GHM30/30C**

ILLUS. PL-51683A	PART NO.	NAME OF PART	AMT.
1	00-406460-00001	Lid .....	1
2	00-400149	Lifter - Lid (Not Shown) .....	1
3	00-400705-00001	Ring .....	1
4	00-405817-00001	Section - Top Half .....	2
5	00-405157-000G2	Brick Assy. ....	1
6	00-420664-000G2	Front Top Assy. (34" Wide)(SST) .....	1

## RANGE - GH30/30C, GHM30/30C (CON'T.)

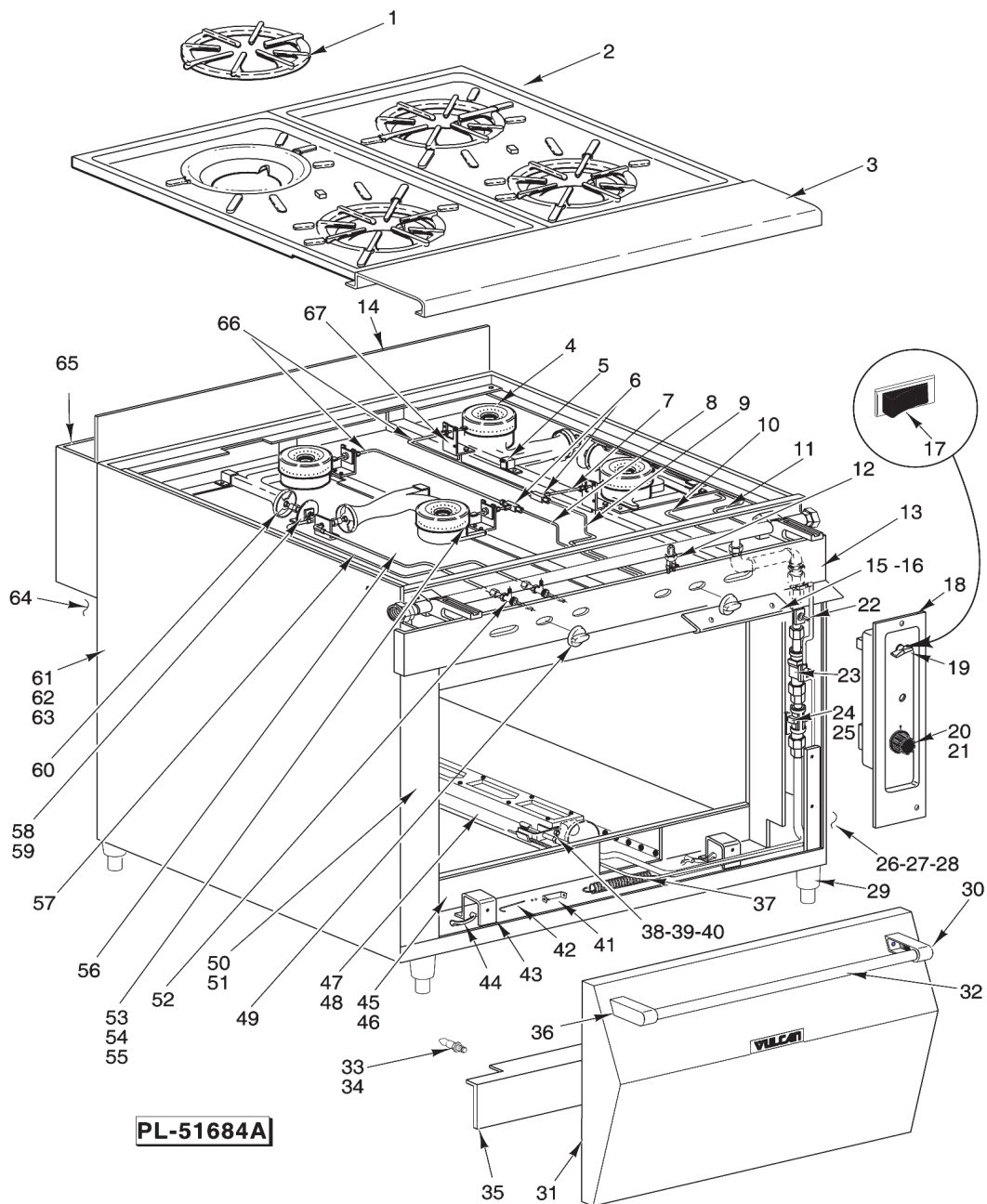
ILLUS. PL-51683A	PART NO.	NAME OF PART	AMT.
7	00-409414-000G1	Burner - Top Center .....	1
8	00-419413-000G1	Burner - Top Middle .....	1
9	00-404060-00002	Mixer - Air .....	3
10	00-420786-00001	Valve - Dual Burner .....	1
11	00-402601-0000F	Valve - Top Burner .....	3
12	00-420560-00001	Knob - Top Burner .....	3
13	00-409652-00002	Cover - Manifold .....	1
14	00-413747-00004	Handle - Burner Tray .....	1
15	00-411496-000B4	Switch - On/Off (Convection Oven) .....	1
*16	00-420774-00001	Panel - Control (Prior to September 2004) .....	1
	00-497126-00001	Panel - Control (Standard Oven) (September 2004 to Present) .....	1
*17	00-402957-00002	Handle - Gas Cock (RED) .....	1
*18	00-413614-00001	Knob - Thermostat (Std. Oven) .....	1
*19	00-413976-00001	Knob - Thermostat (Convection Oven) .....	1
*20	00-407789-00001	Valve - Service (Std. Oven) .....	1
*21	00-407798-00004	Valve - Pilot Control (Prior to September 2000) .....	1
	00-427083-00002	Valve - Pilot Control (Safety Valve) TS11 (September 2000 Thru August 2004) .....	1
	00-720719	Valve - Pilot Control (Safety Valve) BASO (September 2004 to Present) .....	1
*22	00-407522-00001	Thermostat (Std. Oven) .....	1
*23	00-411506-00003	Thermostat (Convection Oven) .....	1
*24	00-409704-00001	Side - Body (R.H.)(Ptd.) .....	1
*25	00-409704-00003	Side - Body (R.H.)(SST) .....	1
**26	00-408919-000G7	Body - Side (R.H.)(SST) .....	1
*27	00-409840-00006	Leg (SST) .....	1
*28	00-409790-00001	Post - Door (R.H.) .....	1
*29	00-421105-00001	Strike - Kick Panel .....	2
*30	00-421106-00001	Catch - Kick Panel .....	2
*31	00-409793-00001	Handle - Oven Door .....	1
*32	00-409791-000G2	Door Assy. ....	1
*33	00-420775-000G1	Burner Box Cover (Oven) .....	1
*34	00-409790-00002	Post - Door (L.H.) .....	1
*35	00-412014-00001	Spring - W/Swivel Hook .....	1
*36	00-409125-00001	Pilot Assy. - Burner (Nat. Gas) (.020 Dia.) (Oven Section) (Prior to September 2000) ....	1
	00-426262-00001	Pilot Assy. (Nat. Gas) (September 2000 to Present) .....	1
*37	00-409125-00002	Pilot Assy. (MFG) (.024 Dia.) (Oven Section) (Prior to September 2000) .....	1
	00-426262-00003	Pilot Assy. (MFG Gas) (September 2000 to Present) .....	1
*38	00-409125-00003	Pilot Assy. - Burner (L.P.) (.009 Dia.) (Oven Section) (Prior to September 2000) .....	1
	00-426262-00002	Pilot Assy. (L.P. Gas) (September 2000 to Present) .....	1
*39	00-413090-00001	Bracket - Spring .....	1
*40	00-413091-00002	Bolt - J .....	1
*41	00-403971-00001	Pin - Bell Crank .....	2
*42	00-403956-00001	Crank - Bell .....	2
*43	00-420779-000G1	Front Frame Assy. (Std. Oven) .....	1
*44	00-421104-000G1	Front Frame Assy. (Convection Oven) .....	1
*45	00-409819-000G2	Burner Assy. (Lower)(Std. Oven) .....	1
*46	00-413957-000G1	Oven Burner Assy. (Convection Oven) .....	1
*47	00-409704-00002	Body - Side (L.H.)(Ptd.) .....	1
*48	00-409704-00004	Body - Side (L.H.)(SST) .....	1
**49	00-408919-000G8	Body - Side (L.H.)(SST) .....	1
*50	00-420773-00001	Cover - Front (L.H.) W/O Hole .....	1
*51	00-420773-00002	Cover - Front (L.H.) W/Hole .....	1
*52	00-409705-00001	Body - Back (Aluminum) .....	1
53	00-409884-00001	Tube - Pilot (Front) .....	1
54	00-409807-00001	Bracket - Pilot .....	1
55	00-409809-00002	Tube - Pilot (Rear) .....	1
56	00-409638-00001	Box - Flue (Aluminum) .....	1
57	00-409649-00001	Back - Top .....	1
58	00-409839-00001	Burner - Pilot (Nat.) .....	1
59	00-409839-00002	Burner - Pilot (MFG.) .....	1
60	00-409839-00003	Burner - Pilot (LP) .....	1
61	00-409412-000G1	Burner - Top Outer .....	1

\*GH Models Only.

\*\*GHM Models Only.

**RANGE - GH30/30C, GHM30/30C (CON'T.)**

ILLUS. PL-51683A	PART NO.	NAME OF PART	AMT.
	00-405156-000G1	Aeration Plate Assy. (Under Bricks) .....	1
	00-405881-00001	Bracket - Front Manifold .....	2
	00-405880-00001	Bracket - Rear Manifold .....	2
	00-404629-00002	Bushing - Door Hinge Pin .....	2
	00-405618-00001	Door Hook - LH .....	1
	00-405618-00002	Door Hook - RH .....	1
	00-409675-00001	Burner Closure - Standard Oven .....	1
	00-420778-00001	Catch Bracket - Kick Panel .....	2
	00-412788-00002	Thermocouple - TS11 .....	1
	00-412788-00004	Thermocouple - BASO .....	1
	00-497002-00001	Caster, Swivel .....	2
	00-497002-00002	Caster, W/Brake .....	2
	00-413966-00004	Overlay, Control Panel - Standard Oven (Prior to September 2004) .....	1
	00-497127-00001	Overlay, Control Panel - Standard Oven (September 2004 to Present) .....	1
	00-415677-00001	Capillary Clip (Oven Thermostat) .....	1
	00-407522-00006	Thermostat (650 Degree) ("Lobster" Oven) .....	1
	00-412527-00001	Knob - Thermostat (650 Degree) .....	1
	00-419810-00001	Plate (Replaces Oven Bottom Assy. for "Lobster" Oven) .....	1
	00-413746-00001	Bracket - Burner/Drip Tray Handle .....	2



**RANGE - GH45/GHM45**

ILLUS.	PART NO.	NAME OF PART	AMT.
	1	00-409432-00001 Grate - Cast Iron .....	4
	2	00-409433-00001 Plate - Top Cast Iron .....	4
	3	00-420664-000G2 Front Top Assy. (34" Wide)(SST) .....	1
	4	00-409417-00001 Burner Head .....	4
		00-409416-000G1 Bottom Burner Casting .....	4
	5	00-415044-00001 Clip - Burner .....	4
	6	FP-081-74 Tee 1/4 x 1/4 x 1/4 .....	2
	7	00-415003-00001 Tube - Pilot Extension .....	2
	8	00-414994-00001 Tube - Pilot (Tube Tee to Valve)(L.H.) .....	1
	9	00-414994-00002 Tube - Pilot (Tube Tee to Valve)(R.H.) .....	1
	10	00-409871-00001 Tube - Burner (Short)(R.H.) .....	1
	11	00-409805-00001 Tube - Burner (Long)(R.H.) .....	1

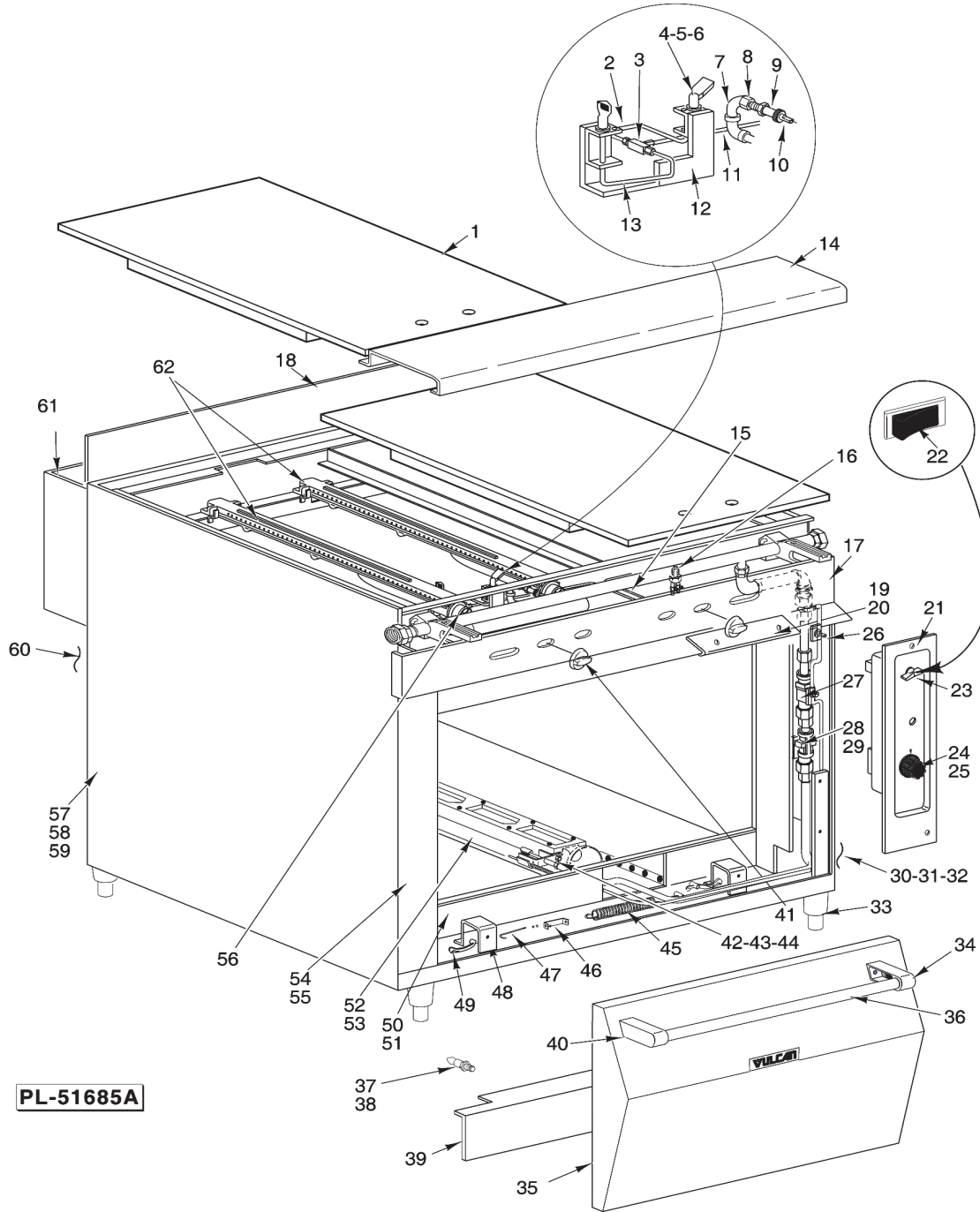
RANGE - GH45/GHM45 (CON'T.)

ILLUS. PL-51684A	PART NO.	NAME OF PART	AMT.
12	00-420786-00001	Valve - Dual Burner .....	1
13	00-413750-00002	Cover - Manifold .....	1
14	00-409650-00001	Back - Top .....	1
15	00-409888-00007	Drip Tray Assy.....	1
16	00-413747-00002	Burner Tray Handle .....	1
*17	00-411496-000B4	Switch - On/Off (Convection Oven) .....	1
*18	00-420774-00001	Panel - Control (Prior to September 2004) .....	1
	00-497126-00001	Panel - Control (Standard Oven) (September 2004 to Present) .....	1
*19	00-402957-00002	Handle - Gas Cock (RED) .....	1
*20	00-413614-00001	Knob - Thermostat (Std. Oven) .....	1
*21	00-413976-00001	Knob - Thermostat (Convection Oven) .....	1
*22	00-407789-00001	Valve - Service (Std. Oven) .....	1
*23	00-407798-00004	Valve - Pilot Control (Prior to September 2000) .....	1
	00-427083-00002	Valve - Pilot Control (Safety Valve) TS11 (September 2000 Thru August 2004) .....	1
	00-720719	Valve - Pilot Control (Safety Valve) BASO (September 2004 to Present) .....	1
*24	00-407522-00001	Thermostat (Std. Oven) .....	1
*25	00-411506-00003	Thermostat (Convection Oven) .....	1
*26	00-409704-00001	Side - Body (R.H.)(Ptd.) .....	1
*27	00-409704-00003	Side - Body (R.H.)(SST).....	1
**28	00-408919-000G7	Body - Side (R.H.)(SST).....	1
*29	00-409840-00006	Leg (SST) .....	4
*30	00-409790-00001	Post - Door (R.H.) .....	1
*31	00-409791-000G2	Door Assy. ....	1
*32	00-409793-00001	Handle - Oven Door .....	1
*33	00-421105-00001	Strike - Kick Panel .....	2
*34	00-421106-00001	Catch - Kick Panel .....	2
*35	00-420775-000G1	Burner Box Cover (Oven) .....	1
*36	00-409790-00002	Post - Door (L.H.) .....	1
*37	00-412014-00001	Spring - W/Swivel Hook .....	1
*38	00-409125-00001	Pilot Assy. - Burner (Nat. Gas) (.020 Dia.) (Oven Section)(Prior to September 2000) .....	1
	00-426262-00001	Pilot Assy. (Nat. Gas) (September 2000 to Present) .....	1
*39	00-409125-00002	Pilot Assy. - Burner (MFG) (Butane)(.024 Dia.) (Oven Section) (Prior to September 2000) .....	1
	00-426262-00003	Pilot Assy. (MFG Gas) (September 2000 to Present) .....	1
*40	00-409125-00003	Pilot Assy. - Burner (L.P. Gas) (.009 Dia.) (Oven Section) (Prior to September 2000) .....	1
	00-426262-00002	Pilot Assy. (L.P. Gas) (September 2000 to Present) .....	1
*41	00-413090-00001	Bracket - Spring .....	1
*42	00-413091-00002	Bolt - J .....	1
*43	00-403971-00001	Pin - Bell Crank .....	2
*44	00-403956-00001	Crank - Bell .....	2
*45	00-420779-000G1	Front Frame Assy. (Std. Oven) .....	1
*46	00-421104-000G1	Front Frame Assy. (Convection Oven).....	1
*47	00-409819-000G2	Burner Assy. (Lower)(Std. Oven) .....	1
*48	00-413957-000G1	Oven Burner Assy. (Convection Oven) .....	1
49	00-420560-00001	Knob - Top Burner .....	4
*50	00-420773-00001	Cover - Front (L.H.) W/O Hole .....	1
*51	00-420773-00002	Cover - Front (L.H.) W/Hole .....	1
52	00-408379-00004	Valve - Burner (Top) .....	4
53	00-409125-00010	Pilot Assy. (Nat.) (.020 Dia.) .....	4
54	00-409125-00012	Pilot Assy. (LP) (.009 Dia.) .....	4
55	00-409125-00011	Pilot Assy.(MFG.) (.024 Dia.) .....	4
56	00-409870-00001	Tube - Burner (Short)(L.H.) .....	1
57	00-409806-00001	Tube - Burner (Long)(L.H.) .....	1
58	00-404079-0000F	Nozzle - Burner .....	4
59	00-010901-00040	Orifice - (Nat. Gas) .....	4
	00-010901-00052	Orifice - (L.P. Gas) .....	4
	00-010901-00029	Orifice - (MFG Gas) .....	4
60	00-404060-00003	Mixer - Air .....	4
*61	00-409704-00002	Body - Side (L.H.)(Ptd.) .....	1
*62	00-409704-00004	Body - Side (L.H.)(SST) .....	1
**63	00-408919-000G8	Body - Side (L.H.)(SST) .....	1
*64	00-409705-00001	Body - Back (Aluminum) .....	1

\*GH Models Only.  
\*\*GHM Models Only.

RANGE - GH45/GHM45 (CON'T.)

ILLUS. PL-51684A	PART NO.	NAME OF PART	AMT.
65	00-409638-00001	Box - Flue (Aluminum) .....	1
66	00-414993-00001	Tube - Pilot (Tee to Pilot) .....	2
67	00-409807-00001	Bracket - Pilot .....	4
	00-405881-00001	Bracket - Front Manifold .....	2
	00-405880-00001	Bracket - Rear Manifold .....	2
	00-404629-00002	Bushing - Door Hinge Pin .....	2
	00-405618-00001	Door Hook - LH .....	1
	00-405618-00002	Door Hook - RH .....	1
	00-409675-00001	Burner Closure - Standard Oven .....	1
	00-420778-00001	Catch Bracket - Kick Panel .....	2
	00-412788-00002	Thermocouple - TS11 .....	1
	00-412788-00004	Thermocouple - BASO .....	1
	00-497002-00001	Caster, Swivel .....	2
	00-497002-00002	Caster, W/Brake .....	2
	00-413966-00004	Overlay, Control Panel - Standard Oven (Prior to September 2004) .....	1
	00-497127-00001	Overlay, Control Panel - Standard Oven (September 2004 to Present) .....	1
	00-415677-00001	Capillary Clip (Oven Thermostat) .....	1
	00-407522-00006	Thermostat (650 Degree) ("Lobster" Oven) .....	1
	00-412527-00001	Knob - Thermostat (650 Degree) .....	1
	00-419810-00001	Plate (Replaces Oven Bottom Assy. for "Lobster" Oven) .....	1
	00-413746-00001	Bracket - Burner/Drip Tray Handle .....	2



**RANGE - GH72/GHM72**

ILLUS.	PART	NAME OF PART	AMT.
PL-51685A	NO.		
1	00-404772-00001	Top - Even Heat .....	2
2	00-409816-00002	Tubing - (Tee to R.H. Pilot) .....	2
3	FP-081-74	Tee 1/4 x 1/4 x 1/4 .....	2
4	00-409839-00001	Burner - Pilot (Nat.) .....	4
5	00-409839-00002	Burner - Pilot (MFG.) .....	4
6	00-409839-00003	Burner - Pilot (LP) .....	4
7	FP-078-75	Elbow - Pipe 3/8 x 90 Deg. ....	4

## RANGE - GH72/GHM72 (CON'T.)

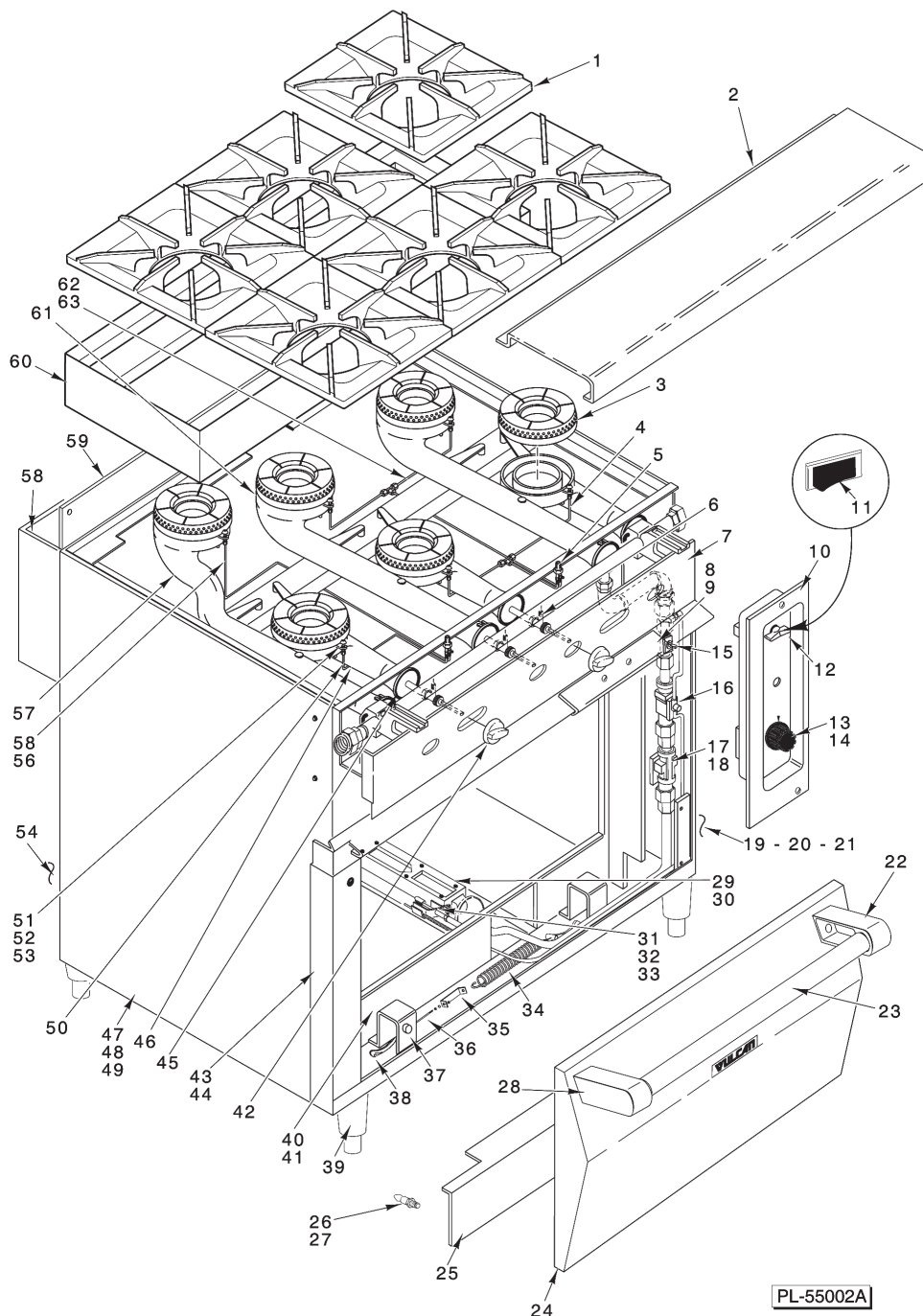
ILLUS. PL-51685A	PART NO.	NAME OF PART	AMT.
8	FP-086-07	Fitting - Tube (7/16 Tube to 3/8 FPT) .....	2
9	00-414624-00002	Tube 7/16 (Valve to Elbow) .....	2
10	00-408379-00004	Valve - Burner (Top) .....	2
11	00-409815-00001	Tubing - Pilot (L.H.)(Tee to Manifold) .....	2
12	00-409813-00001	Support - Pilot (Top) .....	2
13	00-414824-00001	Tubing - Pilot (L.H.) .....	2
14	00-420664-000G2	Front Top Assy. (34" Wide)(SST) .....	1
15	00-409815-00002	Tubing - Pilot (R.H.) .....	1
16	00-420786-00001	Valve - Dual Burner .....	1
17	00-409808-00004	Cover - Manifold .....	1
18	00-409650-00002	Back - Top .....	1
19	00-409888-00009	Burner Tray Assy. ....	1
20	00-413747-00004	Handle - Burner Tray .....	1
*21	00-420774-00001	Panel - Control (Prior to September 2004) .....	1
	00-497126-00001	Panel - Control (Standard Oven) (September 2004 to Present) .....	1
*22	00-411496-000B4	Switch - On/Off (Convection Oven) .....	1
*23	00-402957-00002	Handle - Gas Cock (RED) .....	1
*24	00-413614-00001	Knob - Thermostat (Std. Oven) .....	1
*25	00-413976-00001	Knob - Thermostat (Convection Oven) .....	1
*26	00-407789-00001	Valve - Service (Std. Oven) .....	1
*27	00-407798-00004	Valve - Pilot Control (Prior to September 2000) .....	1
	00-427083-00002	Valve - Pilot Control (Safety Valve) TS11 (September 2000 Thru August 2004) .....	1
	00-720719	Valve - Pilot Control (Safety Valve) BASO (September 2004 to Present) .....	1
*28	00-407522-00001	Thermostat (Std. Oven) .....	1
*29	00-411506-00003	Thermostat (Convection Oven) .....	1
*30	00-409704-00001	Side - Body (R.H.)(Ptd.) .....	1
*31	00-409704-00003	Side - Body (R.H.)(SST) .....	1
**32	00-408919-000G7	Body - Side (R.H.)(SST) .....	1
*33	00-409840-00006	Leg (SST) .....	4
*34	00-409790-00001	Post - Door (R.H.) .....	1
*35	00-409791-000G2	Door Assy. ....	1
*36	00-409793-00001	Handle - Oven Door .....	1
*37	00-421105-00001	Strike - Kick Panel .....	2
*38	00-421106-00001	Catch - Kick Panel .....	2
*39	00-420775-000G1	Burner Box Cover (Oven) .....	1
*40	00-409790-00002	Post - Door (L.H.) .....	1
41	00-420560-00001	Knob - Top Burner .....	2
*42	00-409125-00001	Pilot Assy. - Burner (Nat. Gas) (.020 Dia.) (Oven Section) (Prior to September 2000) .....	1
	00-426262-00001	Pilot Assy. (Nat. Gas) (September 2000 to Present) .....	1
*43	00-409125-00002	Pilot Assy. (MFG) (.024 Dia.) (Oven Section) (Prior to September 2000) .....	1
	00-426262-00003	Pilot Assy. (MFG Gas) (September 2000 to Present) .....	1
*44	00-409125-00003	Pilot Assy. - Burner (L.P.) (.009 Dia.) (Oven Section) (Prior to September 2000) .....	1
	00-426262-00002	Pilot Assy. (L.P. Gas) (September 2000 to Present) .....	1
*45	00-412014-00001	Spring - W/Swivel Hook .....	1
*46	00-413090-00001	Bracket - Spring .....	1
*47	00-413091-00002	Bolt - J .....	1
*48	00-403971-00001	Pin - Bell Crank .....	2
*49	00-403956-00001	Crank - Bell .....	2
*50	00-420779-000G1	Front Frame Assy. (Std. Oven) .....	1
*51	00-421104-000G1	Front Frame Assy. (Convection Oven) .....	1
*52	00-409819-000G2	Burner Assy. (Lower)(Std. Oven) .....	1
*53	00-413957-000G1	Oven Burner Assy. (Convection Oven) .....	1
*54	00-420773-00001	Cover - Front (L.H.) W/O Hole .....	1
*55	00-420773-00002	Cover - Front (L.H.) W/Hole .....	1
56	00-404060-00003	Mixer - Air .....	4
*57	00-409704-00002	Body - Side (L.H.)(Ptd.) .....	1
*58	00-409704-00004	Body - Side (L.H.)(SST) .....	1
**59	00-408919-000G8	Body - Side (L.H.)(SST) .....	1
*60	00-409705-00001	Body - Back (Aluminum) .....	1
*61	00-409638-00001	Box - Flue (Aluminum) .....	1

\*GH Models Only.

\*\*GHM Models Only.

RANGE - GH72/GHM72 (CON'T.)

ILLUS. PL-51685A	PART NO.	NAME OF PART	AMT.
62	00-405831-000G3	Burner Assembly .....	4
	00-406421-00001	Side Brick .....	8
	00-405848-00001	Center Brick .....	4
	00-405881-00001	Bracket - Front Manifold .....	2
	00-405880-00001	Bracket - Rear Manifold .....	2
	00-404629-00002	Bushing - Door Hinge Pin .....	2
	00-405618-00001	Door Hook - LH .....	1
	00-405618-00002	Door Hook - RH .....	1
	00-409675-00001	Burner Closure - Standard Oven .....	1
	00-420778-00001	Catch Bracket - Kick Panel .....	2
	00-412788-00002	Thermocouple - TS11 .....	1
	00-412788-00004	Thermocouple - BASO .....	1
	00-497002-00001	Caster, Swivel .....	2
	00-497002-00002	Caster, W/Brake .....	2
	00-413966-00004	Overlay, Control Panel - Standard Oven (Prior to September 2004) .....	1
	00-497127-00001	Overlay, Control Panel - Standard Oven (September 2004 to Present) .....	1
	00-415677-00001	Capillary Clip (Oven Thermostat) .....	1
	00-407522-00006	Thermostat (650 Degree) ("Lobster" Oven) .....	1
	00-412527-00001	Knob -Thermostat (650 Degree) .....	1
	00-419810-00001	Plate (Replaces Oven Bottom Assy. for "Lobster" Oven) .....	1
	00-413746-00001	Bracket - Burner/Drip Tray Handle .....	2



**RANGE - GH6, GH6C, GHM6, GH6S**

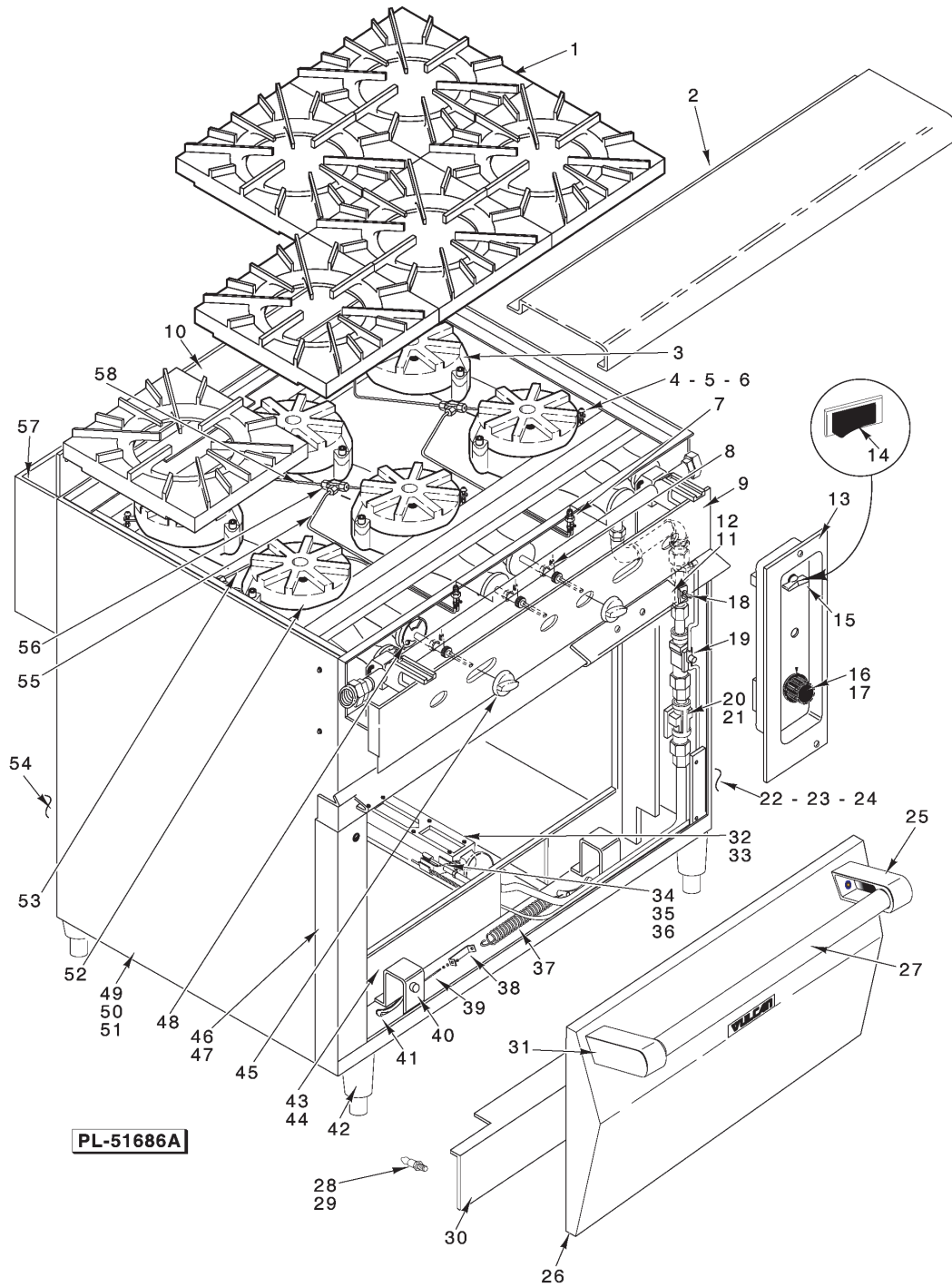
ILLUS. PL-55002A	PART NO.	NAME OF PART	AMT.
	1	00-425791-00001 Grate - Open Top .....	6
	2	00-420664-000G2 Front Top Assy. (34" Wide)(SST) .....	1
	3	00-417608-00005 Burner Head .....	6
	4	00-424960-000G1 Pilot Tube Assy. (Front) .....	1
	5	00-420786-00001 Valve - Dual Burner .....	2

## RANGE - GH6, GH6C, GHM6, GH6S (CON'T.)

ILLUS. PL-55002A	PART NO.	NAME OF PART	AMT.
6	00-408379-00003	Valve - Burner .....	6
7	00-413856-00002	Cover - Manifold .....	1
8	00-409888-00007	Drip Tray Assy.....	1
9	00-413747-00002	Burner Tray Handle .....	1
10	00-420774-00001	Panel - Control (Prior to September 2004) .....	1
	00-497126-00001	Panel - Control (Standard Oven) (September 2004 to Present) .....	1
11	00-411496-000B4	Switch - On/Off (Convection Oven) .....	1
12	00-402957-00002	Handle - Gas Cock (RED) .....	1
13	00-413614-00001	Knob - Thermostat (Std. Oven) .....	1
14	00-413976-00001	Knob - Thermostat (Convection Oven) .....	1
15	00-407789-00001	Valve - Service (Std. Oven) .....	1
16	00-407798-00004	Valve - Pilot Control (Prior to September 2000) .....	1
	00-427083-00002	Valve - Pilot Control (Safety Valve) TS11 (September 2000 Thru August 2004) .....	1
	00-720719	Valve - Pilot Control (Safety Valve) BASO (September 2004 to Present) .....	1
17	00-407522-00001	Thermostat (Std. Oven) .....	1
18	00-411506-00003	Thermostat (Convection Oven) .....	1
19	00-409704-00001	Side - Body (R.H.)(Ptd.) .....	1
20	00-409704-00003	Side - Body (R.H.)(SST) .....	1
21	00-408919-000G7	Body - Side (R.H.)(SST) .....	1
22	00-409790-00001	Post - Door (R.H.) .....	1
23	00-409793-00001	Handle - Oven Door .....	1
24	00-409791-000G2	Door Assy. ....	1
25	00-420775-000G1	Burner Box Cover (Oven) .....	1
26	00-421105-00001	Strike - Kick Panel .....	2
27	00-421106-00001	Catch - Kick Panel .....	2
28	00-409790-00002	Post - Door (L.H.) .....	1
29	00-409819-000G2	Burner Assy. (Lower)(Std. Oven).....	1
30	00-413957-000G1	Oven Burner Assy. (Convection Oven) .....	1
31	00-409125-00001	Pilot Assy. - Burner (Nat. Gas) (.020 Dia.) (Oven Section) (Prior to September 2000) .....	1
	00-426262-00001	Pilot Assy. (Nat. Gas) (September 2000 to Present).....	1
32	00-409125-00002	Pilot Assy. (MFG Gas) (.024 Dia.) (Oven Section) (Prior to September 2000) .....	1
	00-426262-00003	Pilot Assy. (MFG Gas) (September 2000 to Present) .....	1
33	00-409125-00003	Pilot Assy. - Burner (L.P.) (.009 Dia.) (Oven Section) (Prior to September 2000) .....	1
	00-426262-00002	Pilot Assy. (L.P. Gas) (September 2000 to Present) .....	1
34	00-412014-00001	Spring - W/Swivel Hook .....	1
35	00-413090-00001	Bracket - Spring .....	1
36	00-413091-00002	Bolt - J .....	1
37	00-403971-00001	Pin - Bell Crank .....	2
38	00-403956-00001	Crank - Bell .....	2
39	00-409840-00006	Leg (SST) .....	4
40	00-420779-000G1	Front Frame Assy. (Std. Oven) .....	1
41	00-421104-000G1	Front Frame Assy. (Convection Oven) .....	1
42	00-420560-00001	Knob - Top Burner .....	6
43	00-420773-00001	Cover - Front (L.H.) W/O Hole .....	1
44	00-420773-00002	Cover - Front (L.H.) W/Hole .....	1
45	00-404060-00001	Mixer - Air .....	6
46	00-424752-000G1	Burner Assy. (Front) .....	3
47	00-409704-00002	Body - Side (L.H.)(Ptd.) .....	1
48	00-409704-00004	Body - Side (L.H.)(SST) .....	1
49	00-408919-000G8	Body - Side (L.H.)(SST) .....	1
50	00-428416-000G1	Pilot Tube Assy. (Left Front) .....	1
51	00-412063-00002	Tip - Pilot .....	6
52	FP-047-14	Fitting - <sup>3</sup> / <sub>16</sub> Compression Nut .....	6
53	FP-077-23	Fitting - Tube <sup>3</sup> / <sub>16</sub> Compression .....	6
54	00-409705-00001	Body - Back (Aluminum) .....	1
55	00-428416-000G2	Pilot Tube Assy. (Left Rear) .....	1
56	00-428416-000G3	Pilot Tube Assy. (Left Rear Step-Up) .....	1
57	00-424753-000G1	Top Burner Assy. (Rear Step-Up) .....	3
58	00-409638-00001	Box - Flue (Aluminum) .....	1
59	00-426572-00001	Back - Top .....	1
60	00-424955-000G1	Box - Step-Up Assy. ....	1
61	00-424751-000G1	Top Burner Assy. (Rear).....	3
62	00-424962-000G1	Tube - Pilot Assy. (Rear).....	1
63	00-424962-000G2	Tube - Pilot Assy. (Step -Up) .....	1

**RANGE - GH6, GH6C, GHM6, GH6S (CON'T.)**

ILLUS. PL-55002A	PART NO.	NAME OF PART	AMT.
	00-405881-00001	Bracket - Front Manifold .....	2
	00-405880-00001	Bracket - Rear Manifold .....	2
	00-404629-00002	Bushing - Door Hinge Pin .....	2
	00-405618-00001	Door Hook - LH .....	1
	00-405618-00002	Door Hook - RH .....	1
	00-409675-00001	Burner Closure - Standard Oven .....	1
	00-420778-00001	Catch Bracket - Kick Panel .....	2
	00-412788-00002	Thermocouple - TS11 .....	1
	00-412788-00004	Thermocouple - BASO .....	1
	00-497002-00001	Caster, Swivel .....	2
	00-497002-00002	Caster, W/Brake .....	2
	00-413966-00004	Overlay, Control Panel - Standard Oven (Prior to September 2004) .....	1
	00-497127-00001	Overlay, Control Panel - Standard Oven (September 2004 to Present) .....	1
	00-415677-00001	Capillary Clip (Oven Thermostat) .....	1
	00-407522-00006	Thermostat (650 Degree) ("Lobster" Oven) .....	1
	00-412527-00001	Knob -Thermostat (650 Degree) .....	1
	00-419810-00001	Plate (Replaces Oven Bottom Assy. for "Lobster" Oven) .....	1
	00-413746-00001	Bracket - Burner/Drip Tray Handle .....	2



**RANGE - GH56/GHM56/GH56S**

ILLUS.	PART	NAME OF PART	AMT.
PL-51686A	NO.		
1	00-417805-00001	Grate - Aeration (Top) .....	6
2	00-420664-000G2	Front Top Assy. (34" Wide)(SST) .....	1
3	00-413776-000G3	Top Burner Assy. (Long) .....	1
4	00-412063-00002	Tip - Pilot .....	6

## RANGE - GH56/GHM56/GH56S (CON'T.)

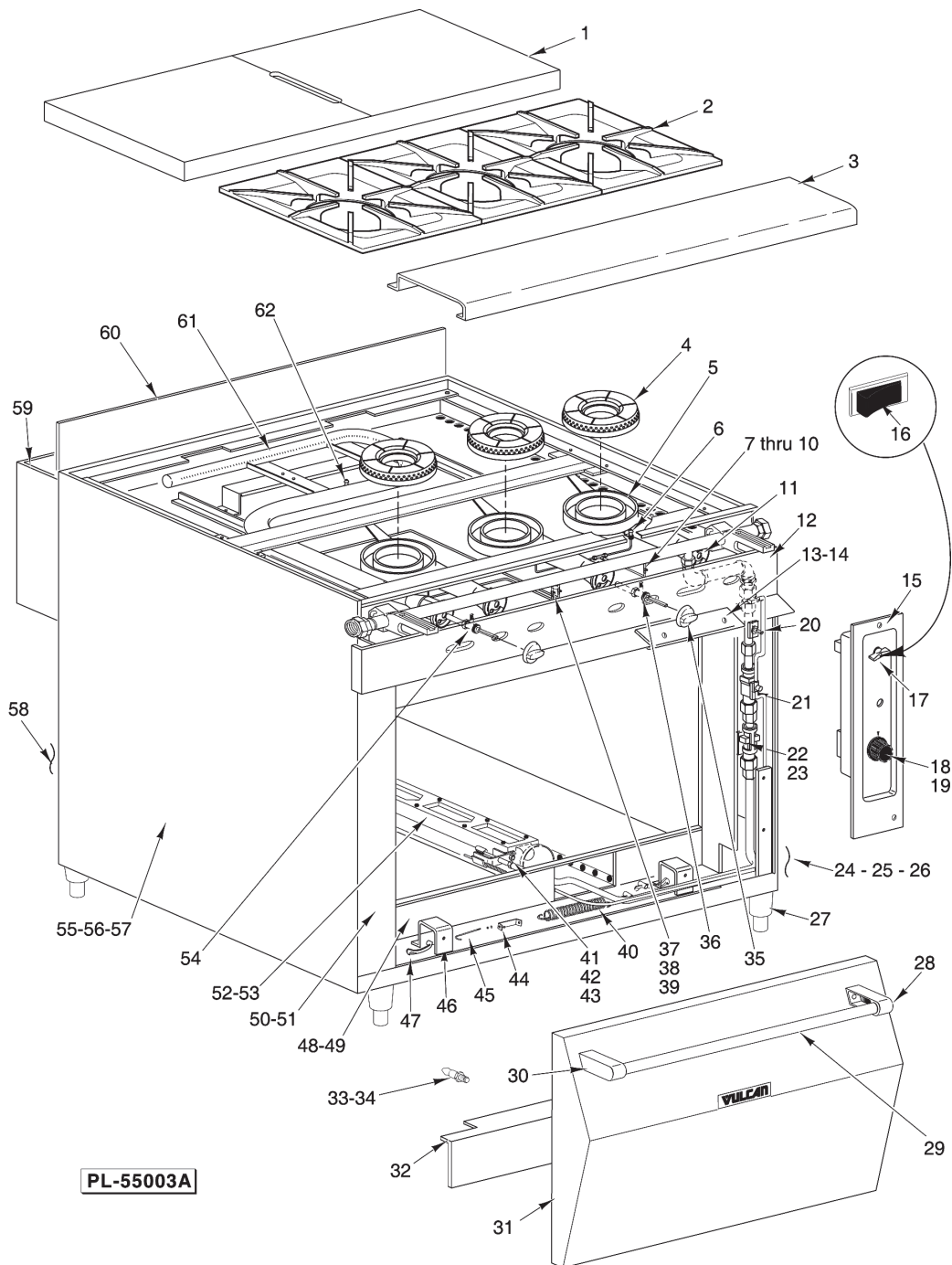
ILLUS. PL-51686A	PART NO.	NAME OF PART	AMT.
5	FP-047-14	Fitting - $\frac{3}{16}$ Compression Nut .....	6
6	FP-077-23	Fitting - Tube $\frac{3}{16}$ Compression .....	6
7	00-420786-00001	Valve - Dual Burner .....	1
8	00-408379-00003	Valve - Burner .....	6
9	00-413856-00002	Cover - Manifold .....	1
10	00-426572-00001	Back - Top .....	1
11	00-409888-00007	Drip Tray Assy. ....	1
12	00-413747-00002	Burner Tray Handle .....	1
*13	00-420774-00001	Panel - Control (Prior to September 2004) .....	1
	00-497126-00001	Panel - Control (Standard Oven) (September 2004 to Present) .....	1
*14	00-411496-000B4	Switch - On/Off (Convection Oven) .....	1
*15	00-402957-00002	Handle - Gas Cock (RED) .....	1
*16	00-413614-00001	Knob - Thermostat (Std. Oven) .....	1
*17	00-413976-00001	Knob - Thermostat (Convection Oven) .....	1
*18	00-407789-00001	Valve - Service (Std. Oven) .....	1
*19	00-407798-00004	Valve - Pilot Control (Prior to September 2000) .....	1
	00427083-00002	Valve - Pilot Control (Safety Valve) TS11 (September 2000 Thru August 2004) .....	1
	00-720719	Valve - Pilot Control (Safety Valve) BASO (September 2004 to Present) .....	1
*20	00-407522-00001	Thermostat (Std. Oven) .....	1
*21	00-411506-00003	Thermostat (Convection Oven) .....	1
*22	00-409704-00001	Side - Body (R.H.)(Ptd.) .....	1
*23	00-409704-00003	Side - Body (R.H.)(SST) .....	1
*24	00-408919-000G7	Body - Side (R.H.)(SST) .....	1
*25	00-409790-00001	Post - Door (R.H.) .....	1
*26	00-409791-000G2	Door Assy. ....	1
*27	00-409793-00001	Handle - Oven Door .....	1
*28	00-421105-00001	Strike - Kick Panel .....	2
*29	00-421106-00001	Catch - Kick Panel .....	2
*30	00-420775-000G1	Burner Box Cover (Oven) .....	1
*31	00-409790-00002	Post - Door (L.H.) .....	1
*32	00-409819-000G2	Burner Assy. (Lower)(Std. Oven) .....	1
*33	00-413957-000G1	Oven Burner Assy. (Convection Oven) .....	1
*34	00-409125-00001	Pilot Assy. - Burner (Nat. Gas) (.020 Dia.) (Oven Section) (Prior to September 2000) .....	1
	00-426262-00001	Pilot Assy. (Nat. Gas) (September 2000 to Present) .....	1
*35	00-409125-00002	Pilot Assy. (MFG) (.024 Dia.) (Oven Section) (Prior to September 2000) .....	1
	00-426262-00003	Pilot Assy. (MFG Gas) (September 2000 to Present) .....	1
*36	00-409125-00003	Pilot Assy. - Burner (L.P.) (.009 Dia.) (Oven Section) (Prior to September 2000) .....	1
	00-426262-00002	Pilot Assy. (L.P Gas) (September 2000 to Present) .....	1
*37	00-412014-00001	Spring - W/Swivel Hook .....	1
*38	00-413090-00001	Bracket - Spring .....	1
*39	00-413091-00002	Bolt - J .....	1
*40	00-403971-00001	Pin - Bell Crank .....	2
*41	00-403956-00001	Crank - Bell .....	2
*42	00-409840-00006	Leg (SST) .....	4
*43	00-420779-000G1	Front Frame Assy. (Std. Oven) .....	1
*44	00-421104-000G1	Front Frame Assy. (Convection Oven) .....	1
45	00-420560-00001	Knob - Top Burner .....	6
*46	00-420773-00001	Cover - Front (L.H.) W/O Hole .....	1
*47	00-420773-00002	Cover - Front (L.H.) W/Hole .....	1
48	00-404060-00001	Mixer - Air .....	6
*49	00-409704-00002	Body - Side (L.H.)(Ptd.) .....	1
*50	00-409704-00004	Body - Side (L.H.)(SST) .....	1
**51	00-408919-000G8	Body - Side (L.H.)(SST) .....	1
*52	00-413776-000G4	Burner Assy. (Short) .....	3
53	00-413864-00001	Tube - Pilot (R.H.)(Tee to Double Pilot Valve) .....	1
*54	00-409705-00001	Body - Back (Aluminum) .....	1
55	00-413867-00001	Tube - Pilot (Tee to Double Pilot Valve) .....	2
56	FP-085-41	Tee $\frac{1}{4}$ x $\frac{1}{4}$ x $\frac{1}{4}$ .....	3
57	00-409638-00001	Box - Flue (Aluminum) .....	1
58	00-413865-00002	Tube - Pilot (Front & Rear) .....	3

\*GH Models Only.

\*\*GHM Models Only.

**RANGE - GH56/GHM56/GH56S (CON'T.)**

ILLUS. PL-51686A	PART NO.	NAME OF PART	AMT.
	00-405881-00001	Bracket - Front Manifold .....	2
	00-405880-00001	Bracket - Rear Manifold .....	2
	00-404629-00002	Bushing - Door Hinge Pin .....	2
	00-405618-00001	Door Hook - LH .....	1
	00-405618-00002	Door Hook - RH .....	1
	00-409675-00001	Burner Closure - Standard Oven .....	1
	00-420778-00001	Catch Bracket - Kick Panel .....	2
	00-412788-00002	Thermocouple - TS11 .....	1
	00-412788-00004	Thermocouple - BASO .....	1
	00-497002-00001	Caster, Swivel .....	2
	00-497002-00002	Caster, W/Brake .....	2
	00-413966-00004	Overlay, Control Panel - Standard Oven (Prior to September 2004) .....	1
	00-497127-00001	Overlay, Control Panel - Standard Oven (September 2004 to Present) .....	1
	00-415677-00001	Capillary Clip (Oven Thermostat) .....	1
	00-407522-00006	Thermostat (650 Degree) ("Lobster" Oven) .....	1
	00-412527-00001	Knob -Thermostat (650 Degree) .....	1
	00-419810-00001	Plate (Replaces Oven Bottom Assy. for "Lobster" Oven) .....	1
	00-413746-00001	Bracket - Burner/Drip Tray Handle .....	2



**RANGE - GH3/72, GH3/72C, GH3/72S, GHM3/72**

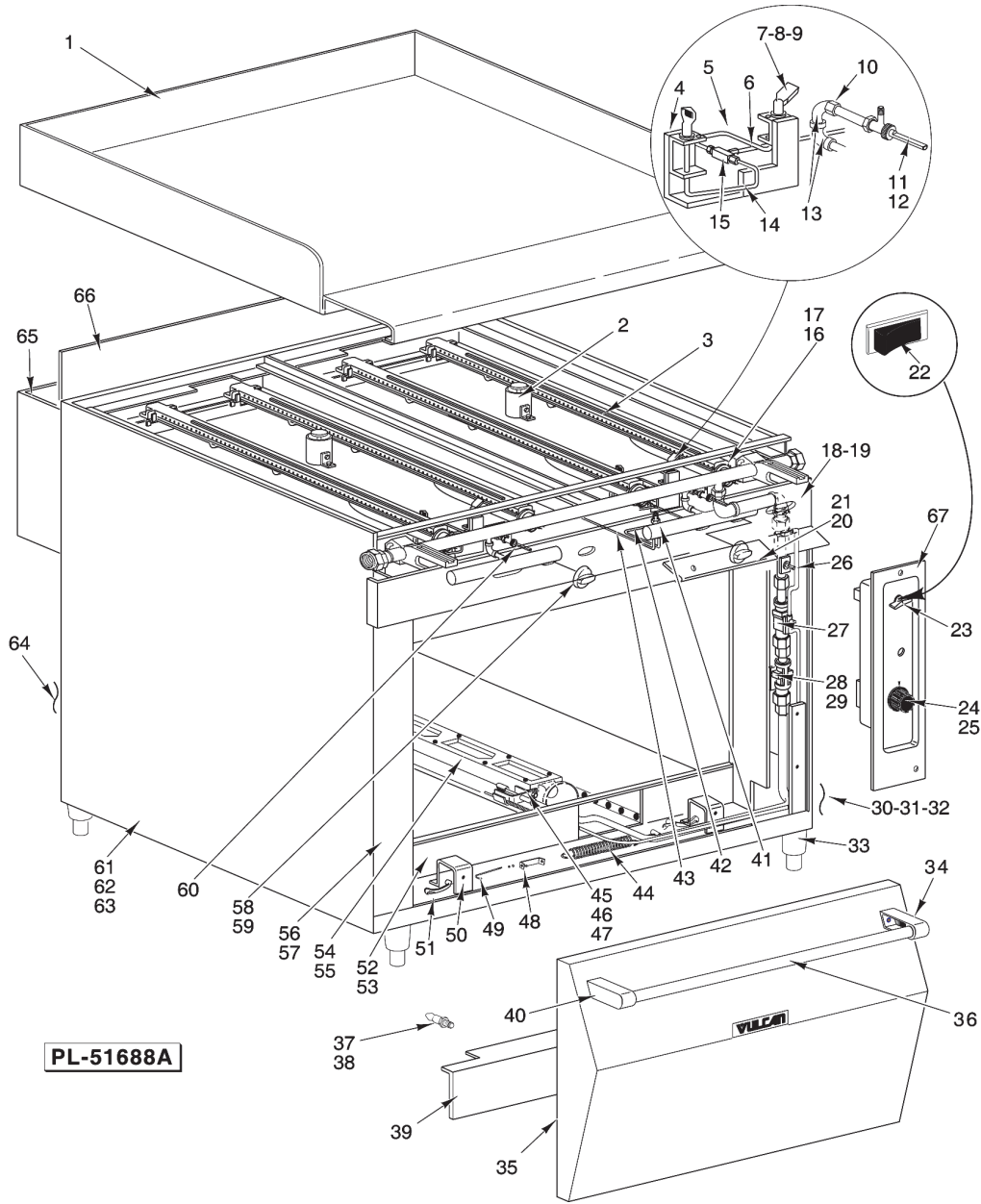
ILLUS.	PART NO.	NAME OF PART	AMT.
	PL-55003A		
1	00-414282-00001	Top - Even Heat .....	1
2	00-425791-00001	Grate - Open Top .....	3
3	00-420664-000G2	Front Top Assy. (34" Wide)(SST) .....	1
4	00-417608-00005	Burner Head .....	3

**RANGE - GH3/72, GH3/72C, GH3/72S, GHM3/72 (CON'T.)**

ILLUS. PL-55003A	PART NO.	NAME OF PART	AMT.
5	00-424752-000G1	Burner Assy. (Front) .....	3
6	00-412063-00002	Tip - Pilot .....	3
7	00-424960-000G1	Pilot Tube Assy. (Front) .....	1
8	FP-047-14	Fitting - <sup>3</sup> / <sub>16</sub> Compression Nut .....	1
9	FP-077-23	Fitting - Tube <sup>3</sup> / <sub>16</sub> Compression .....	1
10	00-404193-00002	Valve - Pilot <sup>3</sup> / <sub>16</sub> (Griddles) .....	1
11	00-404060-00001	Mixer - Air .....	3
12	00-413856-00006	Control Panel Top Section .....	1
13	00-409888-00007	Drip Tray Assy. ....	1
14	00-413747-00002	Burner Tray Handle .....	1
15	00-420774-00001	Panel - Control (Prior to September 2004) .....	1
	00-497126-00001	Panel - Control (Standard Oven) (September 2004 to Present) .....	1
16	00-411496-000B4	Switch - On/Off (Convection Oven) .....	1
17	00-402957-00002	Handle - Gas Cock (RED) .....	1
18	00-413614-00001	Knob - Thermostat (Std. Oven) .....	1
19	00-413976-00001	Knob - Thermostat (Convection Oven) .....	1
20	00-407789-00001	Valve - Service (Std. Oven) .....	1
21	00-407798-00004	Valve - Pilot Control (Prior to September 2000) .....	1
	00-427083-00002	Valve - Pilot Control (Safety Valve) TS11 (September 2000 Thru August 2004) .....	1
	00-720719	Valve - Pilot Control (Safety Valve) BASO (September 2004 to Present) .....	1
22	00-407522-00001	Thermostat (Std. Oven) .....	1
23	00-411506-00003	Thermostat (Convection Oven) .....	1
24	00-409704-00001	Side - Body (R.H.)(Ptd.) .....	1
25	00-409704-00003	Side - Body (R.H.)(SST) .....	1
26	00-408919-000G7	Body - Side (R.H.)(SST) .....	1
27	00-409840-00006	Leg (SST) .....	4
28	00-409790-00001	Post - Door (R.H.) .....	1
29	00-409793-00001	Handle - Oven Door .....	1
30	00-409790-00002	Post - Door (L.H.) .....	1
31	00-409791-000G2	Door Assy. ....	1
32	00-420775-000G1	Burner Box Cover (Oven) .....	1
33	00-421105-00001	Strike - Kick Panel .....	2
34	00-421106-00001	Catch - Kick Panel .....	2
35	00-420560-00001	Knob - Top Burner .....	4
36	00-408379-00003	Valve - Burner .....	3
37	00-415247-00001	Tube - Dual Pilot (L.H.) .....	2
38	00-420786-00001	Valve - Dual Burner .....	1
39	00-428416-000G1	Pilot Tube Assy. (Left Front) .....	1
40	00-412014-00001	Spring - W/Swivel Hook .....	1
41	00-409125-00001	Pilot Assy. - Burner (Nat. Gas) (.020 Dia.) (Oven Section) (Prior to September 2000) .....	1
	00-426262-00001	Pilot Assy. (Nat. Gas) (September 2000 to Present) .....	1
42	00-409125-00002	Pilot Assy. (MFG) (.024 Dia.) (Oven Section) (Prior to September 2000) .....	1
	00-426262-00003	Pilot Assy. (MFG Gas) (September 2000 to Present) .....	1
43	00-409125-00003	Pilot Assy. - Burner (L.P.) (.009 Dia.) (Oven Section) (Prior to September 2000) .....	1
	00-426262-00002	Pilot Assy. (L.P. Gas) (September 2000 to Present) .....	1
44	00-413090-00001	Bracket - Spring .....	1
45	00-413091-00002	Bolt - J .....	1
46	00-403971-00001	Pin - Bell Crank .....	2
47	00-403956-00001	Crank - Bell .....	2
48	00-420779-000G1	Front Frame Assy. (Std. Oven) .....	1
49	00-421104-000G1	Front Frame Assy. (Convection Oven) .....	1
50	00-420773-00001	Cover - Front (L.H.) W/O Hole .....	1
51	00-420773-00002	Cover - Front (L.H.) W/Hole .....	1
52	00-409819-000G2	Burner Assy. (Lower)(Std. Oven) .....	1
53	00-413957-000G1	Oven Burner Assy. (Convection Oven) .....	1
54	00-408379-00004	Valve - Burner (Top) .....	1
55	00-409704-00002	Body - Side (L.H.)(Ptd.) .....	1
56	00-409704-00004	Body - Side (L.H.)(SST) .....	1
57	00-408919-000G8	Body - Side (L.H.)(SST) .....	1
58	00-409705-00001	Body - Back (Aluminum) .....	1
59	00-409638-00001	Box - Flue (Aluminum) .....	1
60	00-409650-00001	Back - Top .....	1
61	00-414038-00001	Burner - Even Heat Top .....	1

**RANGE - GH3/72, GH3/72C, GH3/72S, GHM3/72 (CON'T.)**

ILLUS. PL-55003A	PART NO.	NAME OF PART	AMT.
62	00-412063-00002	Tip - Pilot .....	1
	00-405881-00001	Bracket - Front Manifold .....	2
	00-405880-00001	Bracket - Rear Manifold .....	2
	00-404629-00002	Bushing - Door Hinge Pin .....	2
	00-405618-00001	Door Hook - LH .....	1
	00-405618-00002	Door Hook - RH .....	1
	00-409675-00001	Burner Closure - Standard Oven .....	1
	00-420778-00001	Catch Bracket - Kick Panel .....	2
	00-412788-00002	Thermocouple - TS11 .....	1
	00-412788-00004	Thermocouple - BASO .....	1
	00-497002-00001	Caster, Swivel .....	2
	00-497002-00002	Caster, W/Brake .....	2
	00-413966-00004	Overlay, Control Panel - Standard Oven (Prior to September 2004) .....	1
	00-497127-00001	Overlay, Control Panel - Standard Oven (September 2004 to Present) .....	1
	00-415677-00001	Capillary Clip (Oven Thermostat) .....	1
	00-407522-00006	Thermostat (650 Degree) ("Lobster" Oven) .....	1
	00-412527-00001	Knob -Thermostat (650 Degree) .....	1
	00-419810-00001	Plate (Replaces Oven Bottom Assy. for "Lobster" Oven) .....	1
	00-413746-00001	Bracket - Burner/Drip Tray Handle .....	2



**RANGE - GH60/GH60T & GHM60, GHM60T**

ILLUS.	PART NO.	NAME OF PART	AMT.
	PL-51688A		
1	00-427472-000G8	Plate - Steel Griddle Assy.(34") .....	1
2	00-427318-00001	Thermostat ("T" Units) .....	2
3	00-405831-000G3	Burner Assembly .....	4
4	00-409813-00001	Support - Pilot (Top) .....	4
5	00-409816-00002	Tubing - (Tee to R.H. Pilot) .....	4
6	00-409815-00001	Tubing - Pilot (L.H.)(Tee to Manifold) .....	2
7	00-409839-00001	Burner - Pilot (Nat.) .....	4
8	00-409839-00002	Burner - Pilot (MFG.) .....	4
9	00-409839-00003	Burner - Pilot (LP) .....	4
10	FP-086-07	Fitting - Tube (7/16 Tube to 3/8 FPT) .....	2
11	00-408379-00004	Valve - Burner (GH60/GHM60) .....	2
12	00-407789-00001	Valve - Service (GH60T/GHM60T) .....	2
13	FP-078-75	Elbow - Pipe 3/8 x 90 Deg. ....	4

## RANGE - GH60/GH60T &amp; GHM60, GHM60T (CON'T.)

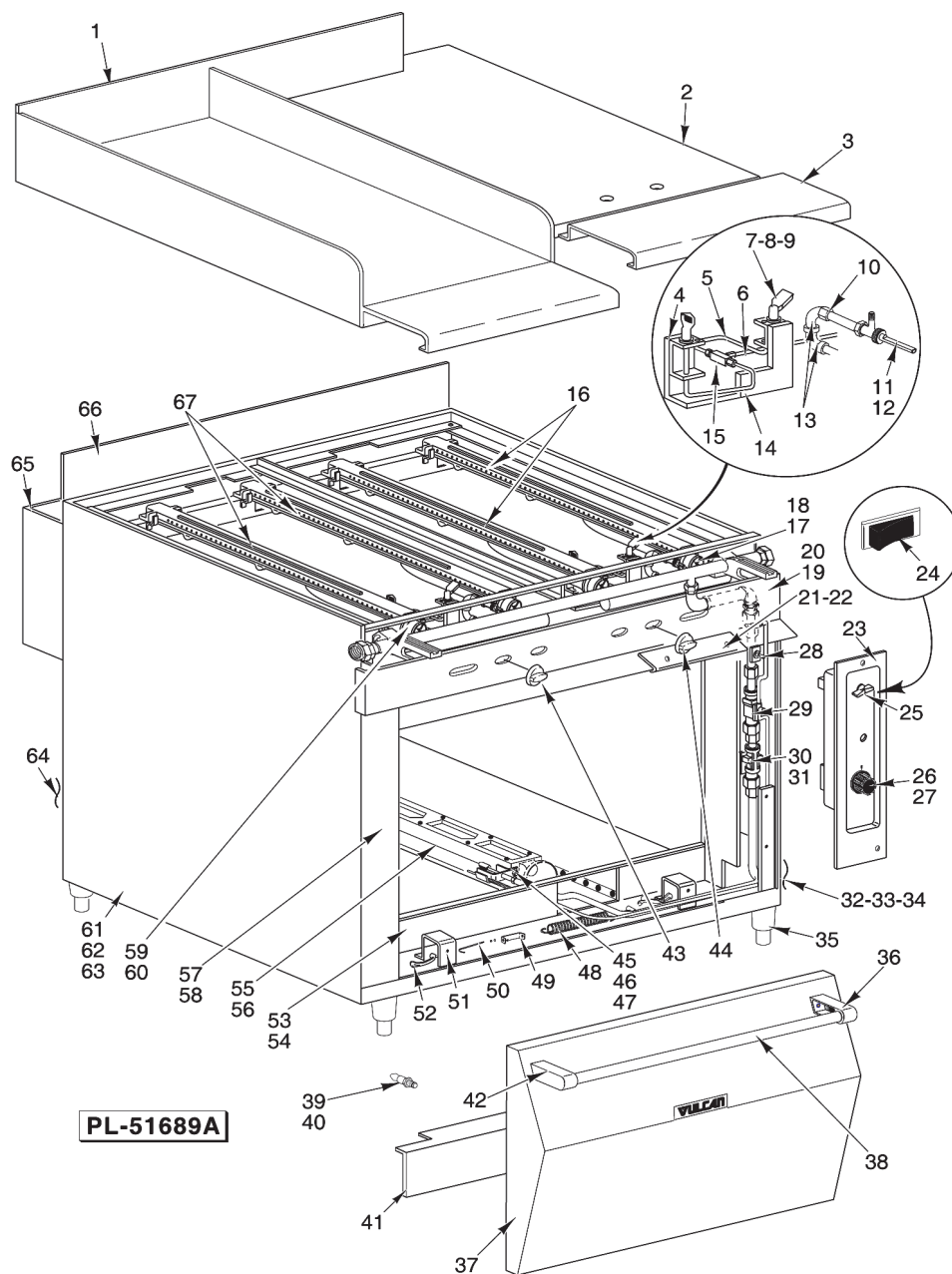
ILLUS. PL-51688A	PART NO.	NAME OF PART	AMT.
14	00-414824-00001	Tubing - Pilot (L.H.) .....	4
15	FP-081-74	Tee 1/4 x 1/4 x 1/4 .....	4
16	00-404060-00001	Mixer - Air .....	4
17	00-417879-00001	Nozzle - Pilot Burner .....	4
18	00-409808-00002	Cover - Manifold (GH60) .....	1
19	00-409654-00002	Cover - Manifold (GH60T) .....	1
20	00-409888-00009	Burner Tray Assy. ....	1
21	00-413747-00004	Handle - Burner Tray .....	1
*22	00-411496-000B4	Switch - On/Off (Convection Oven) .....	1
*23	00-402957-00002	Handle - Gas Cock (RED) .....	1
*24	00-412614-00001	Clamp - Base .....	1
*25	00-413976-00001	Knob - Thermostat (Convection Oven) .....	1
*26	00-407789-00001	Valve - Service (Std. Oven) .....	1
*27	00-407798-00004	Valve - Pilot Control (Prior to September 2000) .....	1
	00-427083-00002	Valve - Pilot Control (Safety Valve) TS11 (September 2000 Thru August 2004) .....	1
	00-720719	Valve - Pilot Control (Safety Valve) BASO (September 2004 to Present) .....	1
*28	00-407522-00001	Thermostat (Std. Oven) .....	1
*29	00-411506-00003	Thermostat (Convection Oven) .....	1
*30	00-409704-00001	Side - Body (R.H.)(Ptd.) .....	1
*31	00-409704-00003	Side - Body (R.H.)(SST) .....	1
**32	00-408919-000G7	Body - Side (R.H.)(SST) .....	1
*33	00-409840-00006	Leg (SST) .....	4
*34	00-409790-00001	Post - Door (R.H.) .....	1
*35	00-409791-000G2	Door Assy. ....	1
*36	00-409793-00001	Handle - Oven Door .....	1
*37	00-421105-00001	Strike - Kick Panel .....	2
*38	00-421106-00001	Catch - Kick Panel .....	2
*39	00-420775-000G1	Burner Box Cover (Oven) .....	1
*40	00-409790-00002	Post - Door (L.H.) .....	1
*41	00-420786-00001	Valve - Dual Burner .....	2
*42	00-409815-00002	Tubing - Pilot (R.H.) .....	2
*43	00-414824-00001	Tubing - Pilot (L.H.) .....	2
*44	00-412014-00001	Spring - W/Swivel Hook .....	1
*45	00-409125-00001	Pilot Assy. - Burner (Nat. Gas) (.020 Dia.) (Oven Section) (Prior to September 2000) .....	1
	00-426262-00001	Pilot Assy. (Nat. Gas) (September 2000 to Present) .....	1
*46	00-409125-00002	Pilot Assy. (MFG) (.024 Dia.) (Oven Section) (Prior to September 2000) .....	1
	00-426262-00003	Pilot Assy. (MFG Gas) (September 2000 to Present) .....	1
*47	00-409125-00003	Pilot Assy. - Burner (L.P.) (.009 Dia.) (Oven Section) (Prior to September 2000) .....	1
	00-426262-00002	Pilot Assy. (L.P. Gas) (September 2000 to Present) .....	1
*48	00-413090-00001	Bracket - Spring .....	1
*49	00-413091-00002	Bolt - J .....	1
*50	00-403971-00001	Pin - Bell Crank .....	2
*51	00-403956-00001	Crank - Bell .....	2
*52	00-420779-000G1	Front Frame Assy. (Std. Oven) .....	1
*53	00-421104-000G1	Front Frame Assy. (Convection Oven) .....	1
*54	00-409819-000G2	Burner Assy. (Lower)(Std. Oven) .....	1
*55	00-413957-000G1	Oven Burner Assy. (Convection Oven) .....	1
*56	00-420773-00001	Cover - Front (L.H.) W/O Hole .....	1
*57	00-420773-00002	Cover - Front (L.H.) W/Hole .....	1
58	00-420560-00001	Knob - Top Burner .....	2
59	00-413617-00001	Dial - Griddle Thermostat .....	2
60	00-408379-00004	Valve - Burner (Top) .....	4
*61	00-409704-00002	Body - Side (L.H.)(Ptd.) .....	1
*62	00-409704-00004	Body - Side (L.H.)(SST) .....	1
**63	00-408919-000G8	Body - Side (L.H.)(SST) .....	1
*64	00-409705-00001	Body - Back (Aluminum) .....	1
65	00-409638-00001	Box - Flue (Aluminum) .....	1
66	00-409650-00003	Back - Top .....	1
*67	00-420774-00001	Panel - Control (Prior to September 2004) .....	1
	00-497126-00001	Panel - Control (Standard Oven) (September 2004 to Present) .....	1

\*GH Models Only.

\*\*GHM Models Only.

## RANGE - GH60/GH60T &amp; GHM60, GHM60T (CON'T.)

ILLUS. PL-51688A	PART NO.	NAME OF PART	AMT.
	00-405848-00001	Center Brick .....	6
	00-406241-00001	Side Brick .....	4
	00-427481-000G1	Thermostat Kit - Griddle (Replacement) .....	1
	00-409682-000G7	Grease Collector .....	1
	00-409682-000G10	Grease Collector (Modular Unit) .....	1
	00-406307-00004	Grease Collector Support Clip .....	1
	00-404193-00001	Valve (Adjustable) (Griddle Thermostat) .....	1
	00-405881-00001	Bracket - Front Manifold .....	2
	00-405880-00001	Bracket - Rear Manifold .....	2
	00-404629-00002	Bushing - Door Hinge Pin .....	2
	00-405618-00001	Door Hook - LH .....	1
	00-405618-00002	Door Hook - RH .....	1
	00-409675-00001	Burner Closure - Standard Oven .....	1
	00-420778-00001	Catch Bracket - Kick Panel .....	2
	00-412788-00002	Thermocouple - TS11 .....	1
	00-412788-00004	Thermocouple - BASO .....	1
	00-497002-00001	Caster, Swivel .....	2
	00-497002-00002	Caster, W/Brake .....	2
	00-413966-00004	Overlay, Control Panel - Standard Oven (Prior to September 2004) .....	1
	00-497127-00001	Overlay, Control Panel - Standard Oven (September 2004 to Present) .....	1
	00-415677-00001	Capillary Clip (Oven Thermostat) .....	1
	00-407522-00006	Thermostat (650 Degree) ("Lobster" Oven) .....	1
	00-412527-00001	Knob -Thermostat (650 Degree) .....	1
	00-419810-00001	Plate (Replaces Oven Bottom Assy. for "Lobster" Oven) .....	1
	00-413746-00001	Bracket - Burner/Drip Tray Handle .....	2



**RANGE - GH60/72, GH60T/72, GHM60/72 & GHM60T/72**

ILLUS.	PART NO.	NAME OF PART	AMT.
1	00-427472-000G4	Plate - Griddle (17") .....	1
2	00-404772-00001	Top - Even Heat (GH72, GHM72) .....	1
3	00-420663-000G2	Top - Front (17" Wide)(SST) .....	1
4	00-409813-00001	Support - Pilot (Top) .....	2
5	00-409816-00002	Tubing - (Tee to R.H. Pilot) .....	2
6	00-409815-00001	Tubing - Pilot (L.H.)(Tee to Manifold) .....	2
7	00-409839-00001	Burner - Pilot (Nat.) .....	4
8	00-409839-00002	Burner - Pilot (MFG.) .....	4
9	00-409839-00003	Burner - Pilot (LP) .....	4
10	FP-086-07	Fitting - Tube (7/16 Tube to 3/8 FPT) .....	2

## RANGE - GH60/72, GH60T/72, GHM60/72 &amp; GHM60T/72 (CON'T.)

ILLUS. PL-51689A	PART NO.	NAME OF PART	AMT.
11	00-408379-00004	Valve - Burner (Top) (GH60, GHM60)	2
12	00-407789-00001	Valve - Service (GH60T, GHM60T)	2
13	FP-078-75	Elbow - Pipe 3/8 x 90 Deg.	2
14	00-414824-00001	Tubing - Pilot (L.H.)	2
15	FP-081-74	Tee 1/4 x 1/4 x 1/4	2
16	00-405831-000G3	Burner Assembly (GH72, GHM72)	2
17	00-404060-00003	Mixer - Air	4
18	00-417879-00001	Nozzle - Pilot Burner	4
19	00-409986-00002	Cover - Manifold (60T/72)	1
20	00-409808-00002	Cover - Manifold (60/72)	1
21	00-409888-00009	Burner Tray Assy.	1
22	00-413747-00004	Handle - Burner Tray	1
*23	00-420774-00001	Panel - Control (Prior to September 2004)	1
	00-497126-00001	Panel - Control (Standard Oven) (September 2004 to Present)	1
*24	00-411496-000B4	Switch - On/Off (Convection Oven)	1
*25	00-402957-00002	Handle - Gas Cock (RED)	1
*26	00-413614-00001	Knob - Thermostat (Std. Oven)	1
*27	00-413976-00001	Knob - Thermostat (Convection Oven)	1
*28	00-407789-00001	Valve - Service (Std. Oven)	1
*29	00-407798-00004	Valve - Pilot Control (Prior to September 2000)	1
	00-427083-00002	Valve - Pilot Control (Safety Valve) TS11 (September 2000 Thru August 2004)	1
	00-720719	Valve - Pilot Control (Safety Valve) BASO (September 2004 to Present)	1
*30	00-407522-00001	Thermostat (Std. Oven)	1
*31	00-411506-00003	Thermostat (Convection Oven)	1
*32	00-409704-00001	Side - Body (R.H.)(Ptd.)	1
*33	00-409704-00003	Side - Body (R.H.)(SST)	1
**34	00-408919-000G7	Body - Side (R.H.)(SST)	1
*35	00-409840-00006	Leg (SST)	4
*36	00-409790-00001	Post - Door (R.H.)	1
*37	00-409791-000G2	Door Assy.	1
*38	00-409793-00001	Handle - Oven Door	1
*39	00-421105-00001	Strike - Kick Panel	2
*40	00-421106-00001	Catch - Kick Panel	2
*41	00-420775-000G1	Burner Box Cover (Oven)	1
*42	00-409790-00002	Post - Door (L.H.)	1
43	00-413617-00001	Dial - Griddle Thermostat	1
44	00-420560-00001	Knob - Top Burner	2
*45	00-409125-00001	Pilot Assy. - Burner (Nat. Gas) (.020 Dia.) (Oven Section) (Prior to September 2000)	1
	00-426262-00001	Pilot Assy. (Nat. Gas) (September 2000 to Present)	1
*46	00-409125-00002	Pilot Assy. (MFG) (.024 Dia.) (Oven Section) (Prior to September 2000)	1
	00-426262-00003	Pilot Assy. (MFG Gas) (September 2000 to Present)	1
*47	00-409125-00003	Pilot Assy. - Burner (L.P.) (.009 Dia.) (Oven Section) (Prior to September 2000)	1
	00-426262-00002	Pilot Assy. (L.P. Gas) (September 2000 to Present)	1
*48	00-412014-00001	Spring - W/Swivel Hook	1
*49	00-413090-00001	Bracket - Spring	1
*50	00-413091-00002	Bolt - J	1
*51	00-403971-00001	Pin - Bell Crank	2
*52	00-403956-00001	Crank - Bell	2
*53	00-420779-000G1	Front Frame Assy. (Std. Oven)	1
*54	00-421104-000G1	Front Frame Assy. (Convection Oven)	1
*55	00-409819-000G2	Burner Assy. (Lower)(Std. Oven)	1
*56	00-413957-000G1	Oven Burner Assy. (Convection Oven)	1
*57	00-420773-00001	Cover - Front (L.H.) W/O Hole	1
*58	00-420773-00002	Cover - Front (L.H.) W/Hole	1
59	00-404060-00001	Mixer - Air (GM60, GHM60)	2
60	00-417879-00001	Nozzle - Pilot Burner	2
*61	00-409704-00002	Body - Side (L.H.)(Ptd.)	1
*62	00-409704-00004	Body - Side (L.H.)(SST)	1
**63	00-408919-000G8	Body - Side (L.H.)(SST)	1
64	00-409705-00001	Body - Back (Aluminum)	1

\*GH Models Only.

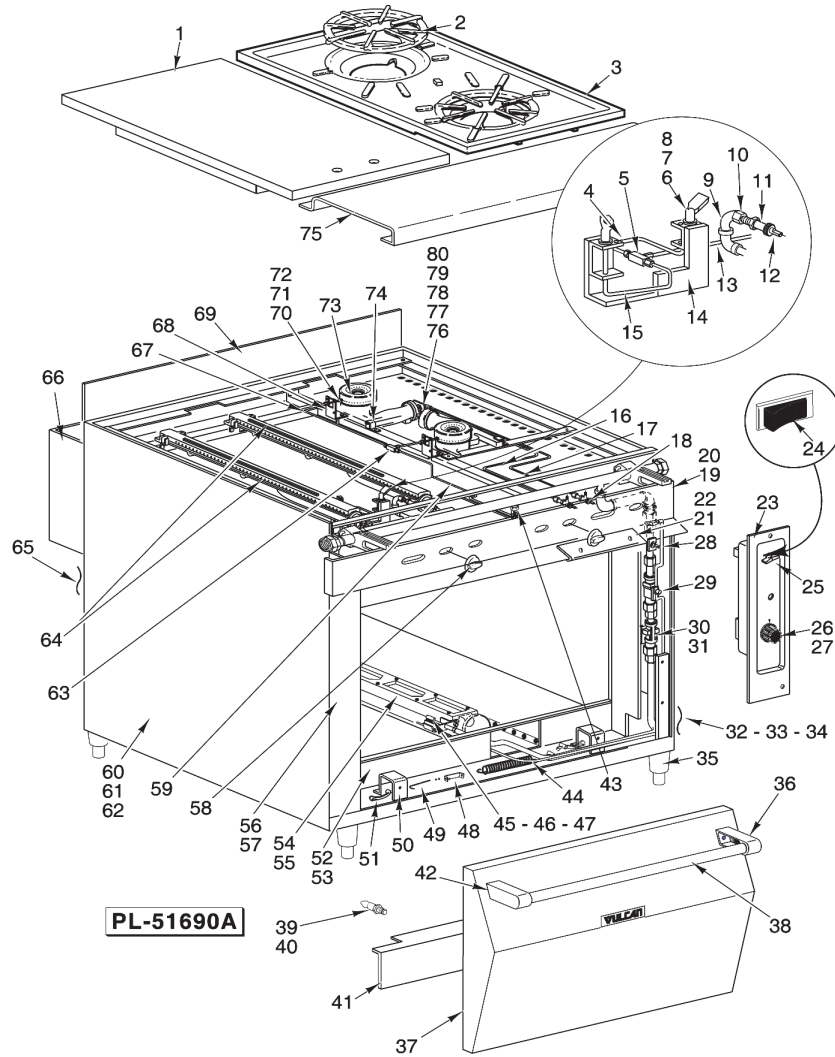
\*\*GHM Models Only.

HEAVY DUTY RANGES - GH, GHM AND GHX SERIES REPLACEMENT PARTS

RANGE - GH60/72, GH60T/72, GHM60/72 & GHM60T/72 (CON'T.)

ILLUS. PL-51689A	PART NO.	NAME OF PART	AMT.
65	00-409638-00001	Box - Flue (Aluminum) .....	1
66	00-409649-00003	Back - Top .....	1
67	00-405831-000G3	Burner Assembly .....	2
	00-405848-00001	Center Brick .....	4
	00-406241-00001	Side Brick .....	8
	00-406307-00004	Grease Collector Support Clip .....	1
	00-427318-00001	Thermostat - Griddle .....	1
	00-427481-000G1	Thermostat Kit - Griddle (Replacement) .....	1
	00-409682-000G7	Grease Collector .....	1
	00-409682-000G10	Grease Collector (Modular Units) .....	1
	00-405881-00001	Bracket - Front Manifold .....	2
	00-405880-00001	Bracket - Rear Manifold .....	2
	00-404629-00002	Bushing - Door Hinge Pin .....	2
	00-405618-00001	Door Hook - LH .....	1
	00-405618-00002	Door Hook - RH .....	1
	00-409675-00001	Burner Closure - Standard Oven .....	1
	00-420778-00001	Catch Bracket - Kick Panel .....	2
	00-412788-00002	Thermocouple - TS11 .....	1
	00-412788-00004	Thermocouple - BASO .....	1
	00-497002-00001	Caster, Swivel .....	2
	00-497002-00002	Caster, W/Brake .....	2
	00-413966-00004	Overlay, Control Panel - Standard Oven (Prior to September 2004) .....	1
	00-497127-00001	Overlay, Control Panel - Standard Oven (September 2004 to Present) .....	1
	00-415677-00001	Capillary Clip (Oven Thermostat) .....	1
	00-407522-00006	Thermostat (650 Degree) ("Lobster" Oven) .....	1
	00-412527-00001	Knob -Thermostat (650 Degree) .....	1
	00-419810-00001	Plate (Replaces Oven Bottom Assy. for "Lobster" Oven) .....	1
	00-413746-00001	Bracket - Burner/Drip Tray Handle .....	2

REPLACEMENT PARTS HEAVY DUTY RANGES - GH, GHM AND GHX SERIES



RANGE - GH72/45 & GHM72/45

ILLUS.	PART	NAME OF PART	AMT.
PL-51690A	NO.		
1	00-404772-00001	Top - Even Heat (GH72, GHM72) .....	1
2	00-409432-00001	Grate - Cast Iron (GH45, GHM45) .....	2
3	00-409433-00001	Plate - Top Cast Iron (GH45, GHM45) .....	1
4	00-409816-00002	Tubing - (Tee to R.H. Pilot) .....	1
5	FP-081-74	Tee 1/4 x 1/4 x 1/4 .....	1
6	00-409839-00001	Burner - Pilot (Nat.) (GH72) .....	1
7	00-409839-00002	Burner - Pilot (MFG.) (GH72) .....	1
8	00-409839-00003	Burner - Pilot (LP) (GH72) .....	1
9	00-414741-00003	Elbow - Street 3/8 .....	2
10	FP-086-07	Fitting - Tube (7/16 Tube to 3/8 FPT) .....	1
11	00-414624-00002	Tube 7/16 (Valve to Elbow) .....	1
12	00-408379-00004	Valve - Burner (Top) .....	1
13	00-409815-00001	Tubing - Pilot (L.H.)(Tee to Manifold) .....	1
14	00-409813-00001	Support - Pilot (Top) .....	1
15	00-414824-00001	Tubing - Pilot (L.H.) .....	1
16	00-409871-00001	Tube - Burner (Short)(R.H.) .....	1
17	00-409805-00001	Tube - Burner (Long)(R.H.) .....	1
18	00-408379-00004	Valve - Burner (Top) .....	2
19	00-413767-00002	Cover - Manifold Assy. (GH72/45) .....	1
20	00-413767-00004	Cover - Manifold Assy. (GH72/45C) .....	1
21	00-409888-00009	Burner Tray Assy. ....	1

## RANGE - GH72/45 &amp; GHM72/45 (CON'T.)

ILLUS. PL-51690A	PART NO.	NAME OF PART	AMT.
22	00-413747-00004	Handle - Burner Tray .....	1
*23	00-420774-00001	Panel - Control (Prior to September 2004) .....	1
	00-497126-00001	Panel - Control (Standard Oven) (September 2004 to Present) .....	1
*24	00-411496-000B4	Switch - On/Off (Convection Oven) .....	1
*25	00-402957-00002	Handle - Gas Cock (RED) .....	1
*26	00-413614-00001	Knob - Thermostat (Std. Oven) .....	1
*27	00-413976-00001	Knob - Thermostat (Convection Oven) .....	1
*28	00-407789-00001	Valve - Service (Std. Oven) .....	1
*29	00-407798-00004	Valve - Pilot Control (Prior to September 2000) .....	1
	00-427083-00002	Valve - Pilot Control (Safety Valve) TS11 (September 2000 Thru August 2004) .....	1
	00-720719	Valve - Pilot Control (Safety Valve) BASO (September 2004 to Present) .....	1
*30	00-407522-00001	Thermostat (Std. Oven) .....	1
*31	00-411506-00003	Thermostat (Convection Oven) .....	1
*32	00-409704-00001	Side - Body (R.H.)(Ptd.) .....	1
*33	00-409704-00003	Side - Body (R.H.)(SST) .....	1
**34	00-408919-000G7	Body - Side (R.H.)(SST) .....	1
*35	00-409840-00006	Leg (SST) .....	4
*36	00-409790-00001	Post - Door (R.H.) .....	1
*37	00-409791-000G2	Door Assy. ....	1
*38	00-409793-00001	Handle - Oven Door .....	1
*39	00-421106-00001	Catch - Kick Panel .....	2
*40	00-421105-00001	Strike - Kick Panel .....	2
*41	00-420775-000G1	Burner Box Cover (Oven) .....	1
*42	00-409790-00002	Post - Door (L.H.) .....	1
43	00-420786-00001	Valve - Dual Burner .....	1
*44	00-412014-00001	Spring - W/Swivel Hook .....	1
*45	00-409125-00001	Pilot Assy. - Burner (Nat. Gas) (.020 Dia.) (Oven Section) (Prior to September 2000) .....	1
	00-426262-00001	Pilot Assy. (Nat. Gas) (September 2000 to Present) .....	1
*46	00-409125-00002	Pilot Assy. (MFG) (.024 Dia.) (Oven Section) (Prior to September 2000) .....	1
	00-426262-00003	Pilot Assy. (MFG Gas) (September 2000 to Present) .....	1
*47	00-409125-00003	Pilot Assy. - Burner (L.P.) (.009 Dia.) (Oven Section) (Prior to September 2000) .....	1
	00-426262-00002	Pilot Assy. (L.P. Gas) (September 2000 to Present) .....	1
*48	00-413090-00001	Bracket - Spring .....	1
*49	00-413091-00002	Bolt - J .....	1
*50	00-403971-00001	Pin - Bell Crank .....	2
*51	00-403956-00001	Crank - Bell .....	2
*52	00-420779-000G1	Front Frame Assy. (Std. Oven) .....	1
*53	00-421104-000G1	Front Frame Assy. (Convection Oven) .....	1
*54	00-409819-000G2	Burner Assy. (Lower)(Std. Oven) .....	1
*55	00-413957-000G1	Oven Burner Assy. (Convection Oven) .....	1
*56	00-420773-00001	Cover - Front (L.H.) W/O Hole .....	1
*57	00-420773-00002	Cover - Front (L.H.) W/Hole .....	1
58	00-420560-00001	Knob - Top Burner .....	4
59	00-414994-00002	Tube - Pilot (Tube Tee to Valve)(R.H.) .....	1
*60	00-409704-00002	Body - Side (L.H.)(Ptd.) .....	1
*61	00-409704-00004	Body - Side (L.H.)(SST) .....	1
**62	00-408919-000G8	Body - Side (L.H.)(SST) .....	1
63	FP-081-74	Tee 1/4 x 1/4 x 1/4 .....	1
64	00-405831-000G3	Burner Assy. (GH72, GHM72) .....	2
*65	00-409705-00001	Body - Back (Aluminum) .....	1
66	00-409638-00001	Box - Flue (Aluminum) .....	1
67	00-414993-00001	Tube - Pilot (Tee to Pilot) .....	1
68	00-409807-00001	Bracket - Pilot .....	2
69	00-409650-00003	Back - Top (GH45 Side) .....	1
	00-409649-00003	Back - Top (GH72 Side) .....	1
70	00-409125-00010	Pilot Assy. (Nat.) (.020 Dia.) (GH45 Side) .....	2
71	00-409125-00012	Pilot Assy. (LP) (.009 Dia.) (GH45 Side) .....	2
72	00-409125-00011	Pilot Assy.(MFG.) (.024 Dia.) (GH45 Side) .....	2
73	00-409417-00001	Burner Head (GH45, GHM45) .....	2
	00-409416-000G1	Lower Burner Assy. (GH45, GHM45) .....	2

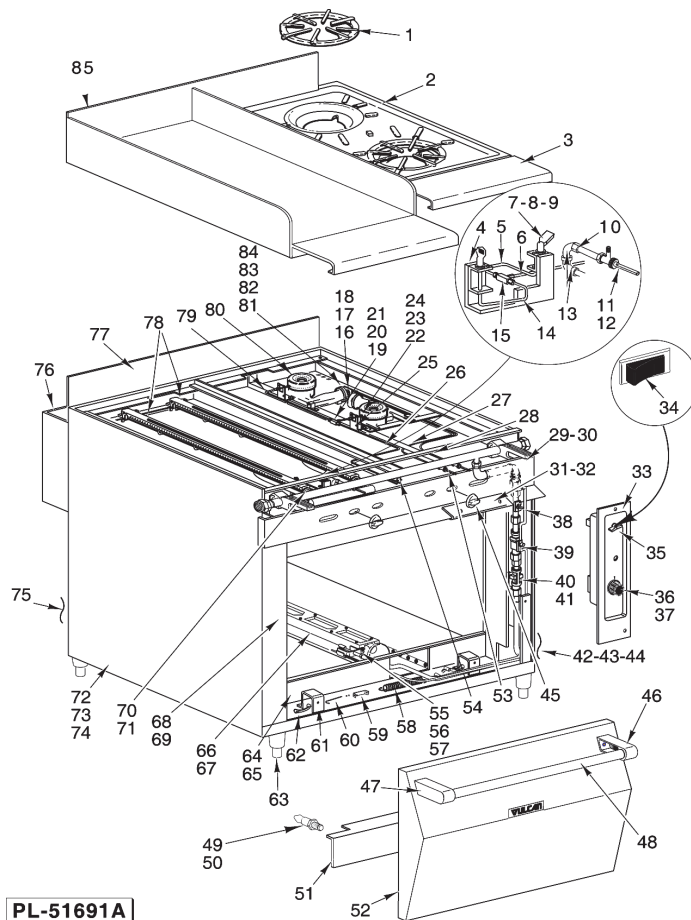
\*GH Models Only.

\*\*GHM Models Only.

**RANGE - GH72/45 & GHM72/45 (CON'T.)**

ILLUS. PL-51690A	PART NO.	NAME OF PART	AMT.
74	00-415044-00001	Clip - Burner .....	1
75	00-420664-000G2	Front Top Assy. (34" Wide)(SST) .....	1
76	00-404079-0000F	Nozzle - Burner .....	2
77	00-010901-00040	Orifice (Nat. Gas) .....	2
78	00-010901-00052	Orifice (L.P. Gas) .....	2
79	00-010901-00029	Orifice (MFG Gas) .....	2
80	00-404060-00003	Mixer - Air .....	2
	00-405848-00001	Center Brick .....	2
	00-406241-00001	Side Brick .....	4
	00-405881-00001	Bracket - Front Manifold .....	2
	00-405880-00001	Bracket - Rear Manifold .....	2
	00-404629-00002	Bushing - Door Hinge Pin .....	2
	00-405618-00001	Door Hook - LH .....	1
	00-405618-00002	Door Hook - RH .....	1
	00-409675-00001	Burner Closure - Standard Oven .....	1
	00-420778-00001	Catch Bracket - Kick Panel .....	2
	00-412788-00002	Thermocouple - TS11 .....	1
	00-412788-00004	Thermocouple - BASO .....	1
	00-497002-00001	Caster, Swivel .....	2
	00-497002-00002	Caster, W/Brake .....	2
	00-413966-00004	Overlay, Control Panel - Standard Oven (Prior to September 2004) .....	1
	00-497127-00001	Overlay, Control Panel - Standard Oven (September 2004 to Present) .....	1
	00-415677-00001	Capillary Clip (Oven Thermostat) .....	1
	00-407522-00006	Thermostat (650 Degree) ("Lobster" Oven) .....	1
	00-412527-00001	Knob -Thermostat (650 Degree) .....	1
	00-419810-00001	Plate (Replaces Oven Bottom Assy. for "Lobster" Oven) .....	1
	00-413746-00001	Bracket - Burner/Drip Tray Handle .....	2

HEAVY DUTY RANGES - GH, GHM AND GHX SERIES REPLACEMENT PARTS



RANGE - GH60/45, GH60T/45, GHM60/45, GHM60T/45, GH6045C & GH6T45C

ILLUS.	PART NO.	NAME OF PART	AMT.
	PL-51691A		
1	00-409432-00001	Grate - Cast Iron .....	2
2	00-409433-00001	Plate - Top Cast Iron .....	1
3	00-420663-000G2	Top - Front (17" Wide)(SST) .....	1
4	00-409813-00001	Support - Pilot (Top) .....	1
5	00-409816-00002	Tubing - (Tee to R.H. Pilot) .....	1
6	00-409815-00001	Tubing - Pilot (L.H.)(Tee to Manifold) .....	1
7	00-409839-00001	Burner - Pilot (Nat.) (GH60, GH60T) .....	2
8	00-409839-00002	Burner - Pilot (MFG.) (GH60, GH60T) .....	2
9	00-409839-00003	Burner - Pilot (LP) (GH60, GH60T) .....	2
10	FP-086-07	Fitting - Tube (7/16 Tube to 3/8 FPT) .....	1
11	00-408379-00004	Valve - Burner (Top) (GH60) .....	1
12	00-407789-00001	Valve - Service ("T" Models) .....	1
13	FP-078-75	Elbow - Pipe 3/8 x 90 Deg. ....	1
14	00-414824-00001	Tubing - Pilot (L.H.) .....	1
15	FP-081-74	Tee 1/4 x 1/4 x 1/4 .....	1
16	00-404060-00003	Mixer - Air .....	2
17	00-409900-00001	Shield - Venturi .....	2
18	00-409797-000G1	Support - Burner & Nozzle Assy. ....	2
19	00-404366-00001	Tee - Compression 1/4 x 1/4 x 1/4 .....	1
20	FP-087-18	Fitting - Nut 1/4 .....	2
21	FP-047-34	Fitting - Tube 1/4 Brass .....	2
22	00-409125-00010	Pilot Assy. (Nat.) (.020 Dia.) (GH45) .....	2
23	00-409125-00011	Pilot Assy.(MFG.) (.024 Dia.) (GH45) .....	2
24	00-409125-00012	Pilot Assy. (LP) (.009 Dia.) (GH45) .....	2
25	00-409807-00001	Bracket - Pilot .....	2
26	00-414994-00001	Tube - Pilot (Tube Tee to Valve)(L.H.) .....	1
27	00-409805-00001	Tube - Burner (Long)(R.H.) .....	1

**RANGE - GH60/45, GH60T/45, GHM60/45, GHM60T/45 GH6045C & GH6T45C (CON'T.)**

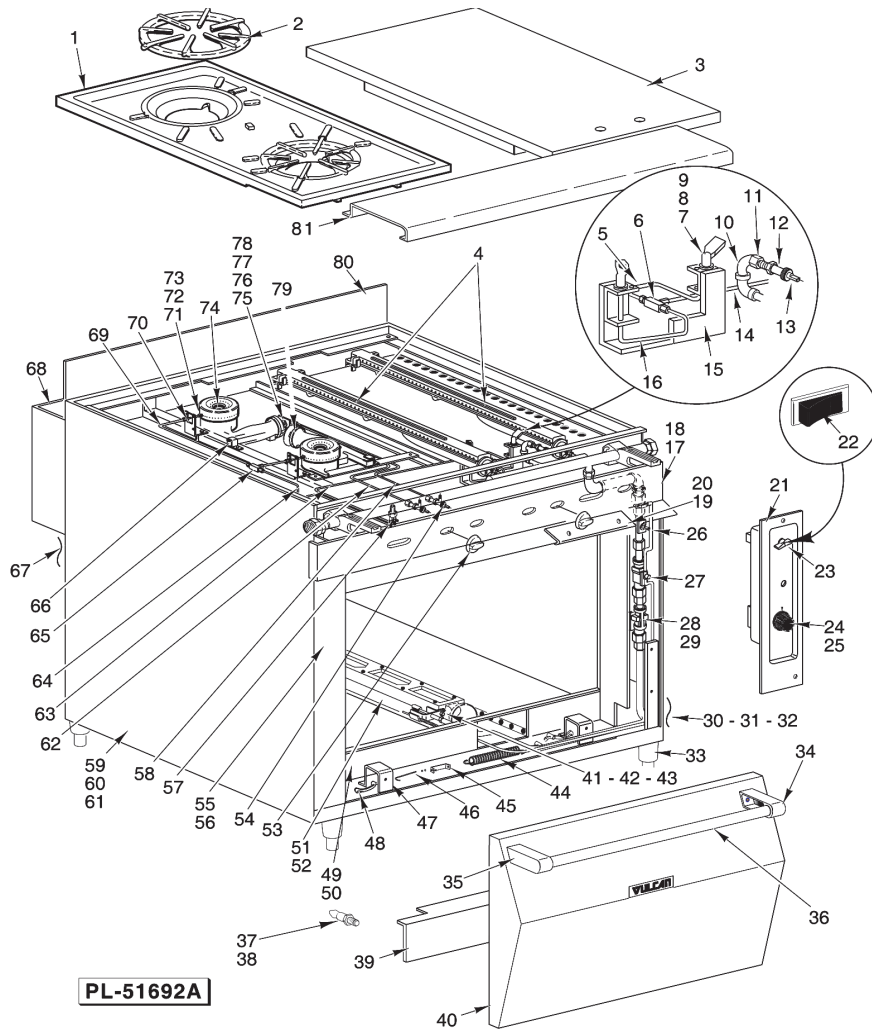
ILLUS. PL-51691A	PART NO.	NAME OF PART	AMT.
28	00-409871-00001	Tube - Burner (Short)(R.H.).....	1
29	00-413768-000G2	Cover - Manifold Assy. (GH60T/45).....	1
30	00-413767-00002	Cover - Manifold (GH60/45).....	1
31	00-409888-00009	Burner Tray Assy. ....	1
32	00-413747-00004	Handle - Burner Tray.....	1
*33	00-420774-00001	Panel - Control (Prior to September 2004) .....	1
	00-497126-00001	Panel - Control (Standard Oven) (September 2004 to Present) .....	1
*34	00-411496-000B4	Switch - On/Off (Convection Oven) .....	1
*35	00-402957-00002	Handle - Gas Cock (RED) .....	1
*36	00-413614-00001	Knob - Thermostat (Std. Oven) .....	1
*37	00-413976-00001	Knob - Thermostat (Convection Oven) .....	1
*38	00-407789-00001	Valve - Service (Std. Oven) .....	1
*39	00-407798-00004	Valve - Pilot Control (Prior to September 2000) .....	1
	00-427083-00002	Valve - Pilot Control (Safety Valve) TS11 (September 2000 Thru August 2004) .....	1
	00-720719	Valve - Pilot Control (Safety Valve) BASO (September 2004 to Present) .....	1
*40	00-407522-00001	Thermostat (Std. Oven) .....	1
*41	00-411506-00003	Thermostat (Convection Oven) .....	1
*42	00-409704-00001	Side - Body (R.H.)(Ptd.) .....	1
*43	00-409704-00003	Side - Body (R.H.)(SST).....	1
*44	00-408919-000G7	Body - Side (R.H.)(SST).....	1
45	00-420560-00001	Knob - Top Burner .....	4
*46	00-409790-00001	Post - Door (R.H.) .....	1
*47	00-409790-00002	Post - Door (L.H.) .....	1
*48	00-409793-00001	Handle - Oven Door .....	1
*49	00-421106-00001	Catch - Kick Panel .....	2
*50	00-421105-00001	Strike - Kick Panel .....	2
*51	00-420775-000G1	Burner Box Cover (Oven).....	1
*52	00-409791-000G2	Door Assy. ....	1
53	00-408379-00004	Valve - Burner (Top).....	2
54	00-420786-00001	Valve - Dual Burner .....	2
*55	00-409125-00001	Pilot Assy. - Burner (Nat. Gas) (.020 Dia.) (Oven Section) (Prior to September 2000) .....	1
	00-426262-00001	Pilot Assy. (Nat. Gas) (September 2000 to Present).....	1
*56	00-409125-00002	Pilot Assy. (MFG) (.024 Dia.) (Oven Section) (Prior to September 2000) .....	1
	00-426262-00003	Pilot Assy. (MFG Gas) (September 2000 to Present) .....	1
*57	00-409125-00003	Pilot Assy. - Burner (L.P.) (.009 Dia.) (Oven Section) (Prior to September 2000) .....	1
	00-426262-00002	Pilot Assy. (L.P. Gas) (September 2000 to Present) .....	1
*58	00-412014-00001	Spring - W/Swivel Hook .....	1
*59	00-413090-00001	Bracket - Spring .....	1
*60	00-413091-00002	Bolt - J .....	1
*61	00-403971-00001	Pin - Bell Crank .....	2
*62	00-403956-00001	Crank - Bell .....	2
*63	00-409840-00006	Leg (SST).....	4
*64	00-420779-000G1	Front Frame Assy. (Std. Oven) .....	1
*65	00-421104-000G1	Front Frame Assy. (Convection Oven) .....	1
*66	00-409819-000G2	Burner Assy. (Lower)(Std. Oven).....	1
*67	00-413957-000G1	Oven Burner Assy. (Convection Oven) .....	1
*68	00-420773-00001	Cover - Front (L.H.) W/O Hole.....	1
*69	00-420773-00002	Cover - Front (L.H.) W/Hole .....	1
70	00-404060-00001	Mixer - Air.....	2
71	00-417879-00001	Nozzle - Pilot Burner .....	2
*72	00-409704-00002	Body - Side (L.H.)(Ptd.) .....	1
*73	00-409704-00004	Body - Side (L.H.)(SST) .....	1
*74	00-408919-000G8	Body - Side (L.H.)(SST) .....	1
*75	00-409705-00001	Body - Back (Aluminum) .....	1
76	00-409638-00001	Box - Flue (Aluminum) .....	1
77	00-409650-00003	Back - Top .....	1
78	00-405831-000G3	Burner Assembly (GH60, GH60T) .....	2
79	00-414993-00001	Tube - Pilot (Tee to Pilot) .....	1
80	00-409417-00001	Burner Assy. ....	2

\*GH Models Only.  
\*\*GHM Models Only.

## RANGE - GH60/45, GH60T/45, GHM60/45, GHM60T/45 GH6045C &amp; GH6T45C (CON'T.)

ILLUS. PL-51691A	PART NO.	NAME OF PART	AMT.
81	00-404079-0000F	Nozzle - Burner.....	2
82	00-010901-00040	Orifice (Nat. Gas) .....	2
83	00-010901-00052	Orifice (L.P. Gas) .....	2
84	00-010901-00029	Orifice (MFG. Gas) .....	2
85	00-427472-000G4	Plate - Steel Griddle Assy.(17")(CRS) .....	1
	00-405848-00001	Center Brick (GH60, GH60T) .....	2
	00-406241-00001	Side Brick (GH60, GH60T) .....	4
	00-427318-00001	Thermostat - Griddle .....	1
	00-427481-000G1	Thermostat - Griddle (Replacement Kit) .....	1
	00-409682-000G7	Grease Collector .....	1
	00-409682-00G10	Grease Collector (Modular Unit) .....	1
	00-406307-00004	Grease Collector Support Clip .....	1
	00-405881-00001	Bracket - Front Manifold .....	2
	00-405880-00001	Bracket - Rear Manifold .....	2
	00-404629-00002	Bushing - Door Hinge Pin .....	2
	00-405618-00001	Door Hook - LH .....	1
	00-405618-00002	Door Hook - RH .....	1
	00-409675-00001	Burner Closure - Standard Oven .....	1
	00-420778-00001	Catch Bracket - Kick Panel .....	2
	00-412788-00002	Thermocouple - TS11 .....	1
	00-412788-00004	Thermocouple - BASO .....	1
	00-497002-00001	Caster, Swivel .....	2
	00-497002-00002	Caster, W/Brake .....	2
	00-413966-00004	Overlay, Control Panel - Standard Oven (Prior to September 2004) .....	1
	00-497127-00001	Overlay, Control Panel - Standard Oven (September 2004 to Present) .....	1
	00-415677-00001	Capillary Clip (Oven Thermostat) .....	1
	00-407522-00006	Thermostat (650 Degree) ("Lobster" Oven) .....	1
	00-412527-00001	Knob -Thermostat (650 Degree) .....	1
	00-419810-00001	Plate (Replaces Oven Bottom Assy. for "Lobster" Oven) .....	1
	00-413746-00001	Bracket - Burner/Drip Tray Handle .....	2

REPLACEMENT PARTS HEAVY DUTY RANGES - GH, GHM AND GHX SERIES



RANGE - GH45/72 & GHM45/72

ILLUS.	PART NO.	NAME OF PART	AMT.
	1	00-409433-00001 Plate - Top Cast Iron (GH45, GHM45)	1
	2	00-409432-00001 Grate - Cast Iron (GH45, GHM45)	2
	3	00-404772-00001 Top - Even Heat (GH72, GHM72)	1
	4	00-405831-000G3 Burner Assembly (GH72, GHM72)	2
	5	00-409816-00002 Tubing - (Tee to R.H. Pilot)	1
	6	FP-081-74 Tee 1/4 x 1/4 x 1/4	1
	7	00-409839-00001 Burner - Pilot (Nat.) (GH72)	2
	8	00-409839-00002 Burner - Pilot (MFG.) (GH72)	2
	9	00-409839-00003 Burner - Pilot (LP) (GH72)	2
	10	00-414741-00003 Elbow - Street 3/8	2
	11	FP-086-07 Fitting - Tube (7/16 Tube to 3/8 FPT)	1
	12	00-414624-00002 Tube - 7/16 (Valve to Elbow)	1
	13	00-408379-00004 Valve - Burner (Top)	1
	14	00-409815-00001 Tubing - Pilot (L.H.) (Tee to Manifold)	1
	15	00-409813-00001 Support - Pilot (Top)	1
	16	00-414824-00001 Tubing - Pilot (L.H.)	1
	17	00-413767-00003 Cover - Manifold (GH72/45C)	1
	18	00-414549-00002 Cover - Manifold Assy. (GH72/45)	1
	19	00-409888-00009 Burner Tray Assy.	1
	20	00-413747-00004 Handle - Burner Tray	1
	*21	00-420774-00001 Panel - Control (Prior to September 2004)	1
		00-497126-00001 Panel - Control (Standard Oven) (September 2004 to Present)	1

## RANGE - GH45/72 &amp; GHM45/72 (CON'T.)

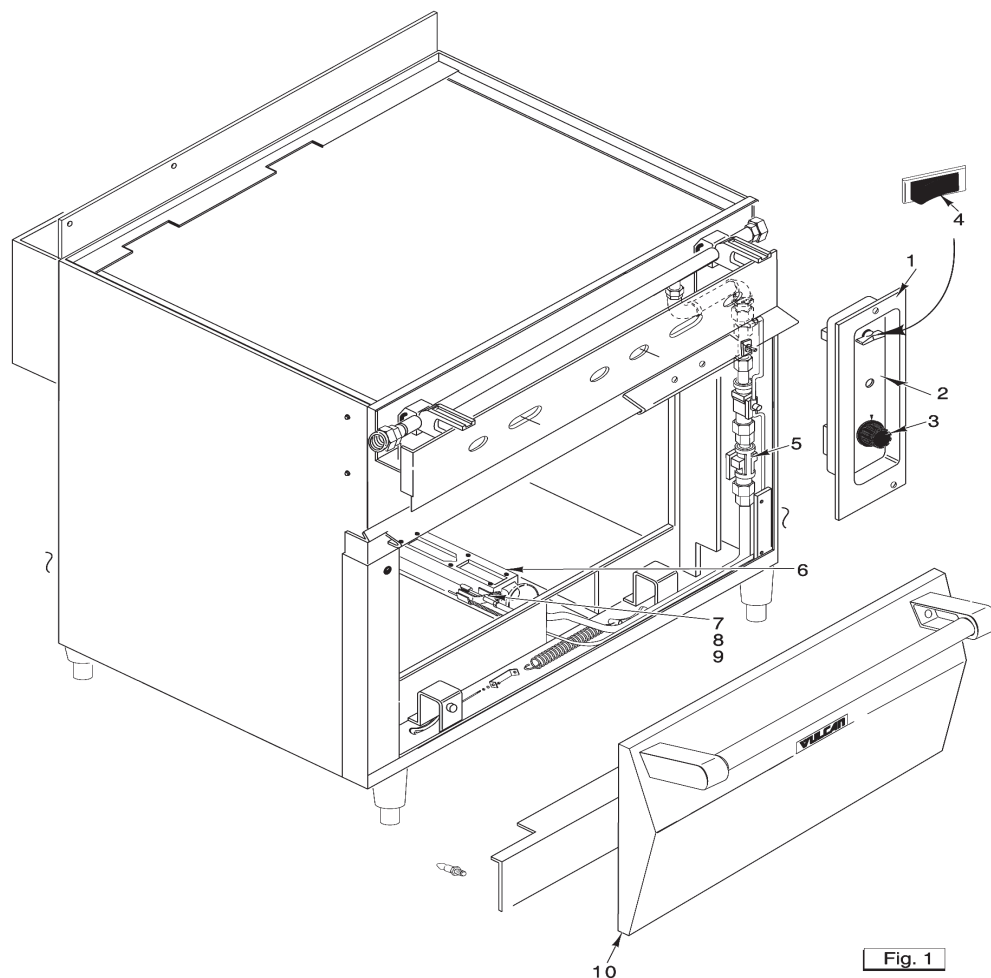
ILLUS. PL-51692A	PART NO.	NAME OF PART	AMT.
*22	00-411496-000B4	Switch - On/Off (Convection Oven) .....	1
*23	00-402957-00002	Handle - Gas Cock (RED) .....	1
*24	00-413614-00001	Knob - Thermostat (Std. Oven) .....	1
*25	00-413976-00001	Knob - Thermostat (Convection Oven) .....	1
*26	00-407789-00001	Valve - Service (Std. Oven) .....	1
*27	00-407798-00004	Valve - Pilot Control (Prior to September 2000) .....	1
	00-427083-00002	Valve - Pilot Control (Safety Valve) TS11 (September 2000 Thru August 2004) .....	1
	00-720719	Valve - Pilot Control (Safety Valve) BASO (September 2004 to Present) .....	1
*28	00-407522-00001	Thermostat (Std. Oven) .....	1
*29	00-411506-00003	Thermostat (Convection Oven) .....	1
*30	00-409704-00001	Side - Body (R.H.)(Ptd.) .....	2
*31	00-409704-00003	Side - Body (R.H.)(SST) .....	1
*32	00-408919-000G7	Body - Side (R.H.)(SST) .....	1
*33	00-409840-00006	Leg (SST) .....	4
*34	00-409790-00001	Post - Door (R.H.) .....	1
*35	00-409790-00002	Post - Door (L.H.) .....	1
*36	00-409793-00001	Handle - Oven Door .....	1
*37	00-421106-00001	Catch - Kick Panel .....	2
*38	00-421105-00001	Strike - Kick Panel .....	2
*39	00-420775-000G1	Burner Box Cover (Oven) .....	1
*40	00-409791-000G2	Door Assy. ....	1
*41	00-409125-00001	Pilot Assy. - Burner (Nat. Gas) (.020 Dia.) (Oven Section) (Prior to September 2000) .....	1
	00-426262-00001	Pilot Assy. (Nat. Gas) (September 2000 to Present) .....	1
*42	00-409125-00002	Pilot Assy. (MFG) (.024 Dia.) (Oven Section) (Prior to September 2000) .....	1
	00-426262-00003	Pilot Assy. (MFG Gas) (September 2000 to Present) .....	1
*43	00-409125-00003	Pilot Assy. - Burner (L.P.) (.009 Dia.) (Oven Section) (Prior to September 2000) .....	1
	00-426262-00002	Pilot Assy. (L.P. Gas) (September 2000 to Present) .....	1
*44	00-412014-00001	Spring - W/Swivel Hook .....	1
45	00-413090-00001	Bracket - Spring .....	1
*46	00-413091-00002	Bolt - J .....	1
*47	00-403971-00001	Pin - Bell Crank .....	2
*48	00-403956-00001	Crank - Bell .....	2
*49	00-420779-000G1	Front Frame Assy. (Std. Oven) .....	1
*50	00-421104-000G1	Front Frame Assy. (Convection Oven) .....	1
*51	00-409819-000G2	Burner Assy. (Lower)(Std. Oven) .....	1
*52	00-413957-000G1	Oven Burner Assy. (Convection Oven) .....	1
53	00-420560-00001	Knob - Top Burner .....	3
54	00-408379-00004	Valve - Burner (Top) .....	2
*55	00-420773-00001	Cover - Front (L.H.) W/O Hole .....	1
*56	00-420773-00002	Cover - Front (L.H.) W/Hole .....	1
57	00-420786-00001	Valve - Dual Burner .....	1
58	00-409805-00001	Tube - Burner (Long)(R.H.) .....	1
*59	00-409704-00002	Body - Side (L.H.)(Ptd.) .....	1
*60	00-409704-00004	Body - Side (L.H.)(SST) .....	1
*61	00-408919-000G8	Body - Side (L.H.)(SST) .....	1
62	00-409871-00001	Tube - Burner (Short)(R.H.) .....	1
63	00-414994-00002	Tube - Pilot (Tube Tee to Valve)(R.H.) .....	1
64	00-414994-00001	Tube - Pilot (Tube Tee to Valve)(L.H.) .....	1
65	FP-081-74	Tee 1/4 x 1/4 x 1/4 .....	1
66	00-415044-00001	Clip - Burner .....	2
*67	00-409705-00001	Body - Back (Aluminum) .....	1
68	00-409638-00001	Box - Flue (Aluminum) .....	1
69	00-414993-00001	Tube - Pilot (Tee to Pilot) .....	1
70	00-409807-00001	Bracket - Pilot .....	2
71	00-409125-00010	Pilot Assy. (Nat.) (.020 Dia.) (GH45 Side) .....	2
72	00-409125-00012	Pilot Assy. (LP) (.009 Dia.) (GH45 Side) .....	2
73	00-409125-00011	Pilot Assy.(MFG.) (.024 Dia.) (GH45 Side) .....	2
74	00-409417-00001	Burner Head (GH45, GHM45) .....	2
	00-409416-000G1	Lower Burner Assy. (GH45, GHM45) .....	2

\*GH Models Only.

\*\*GHM Models Only.

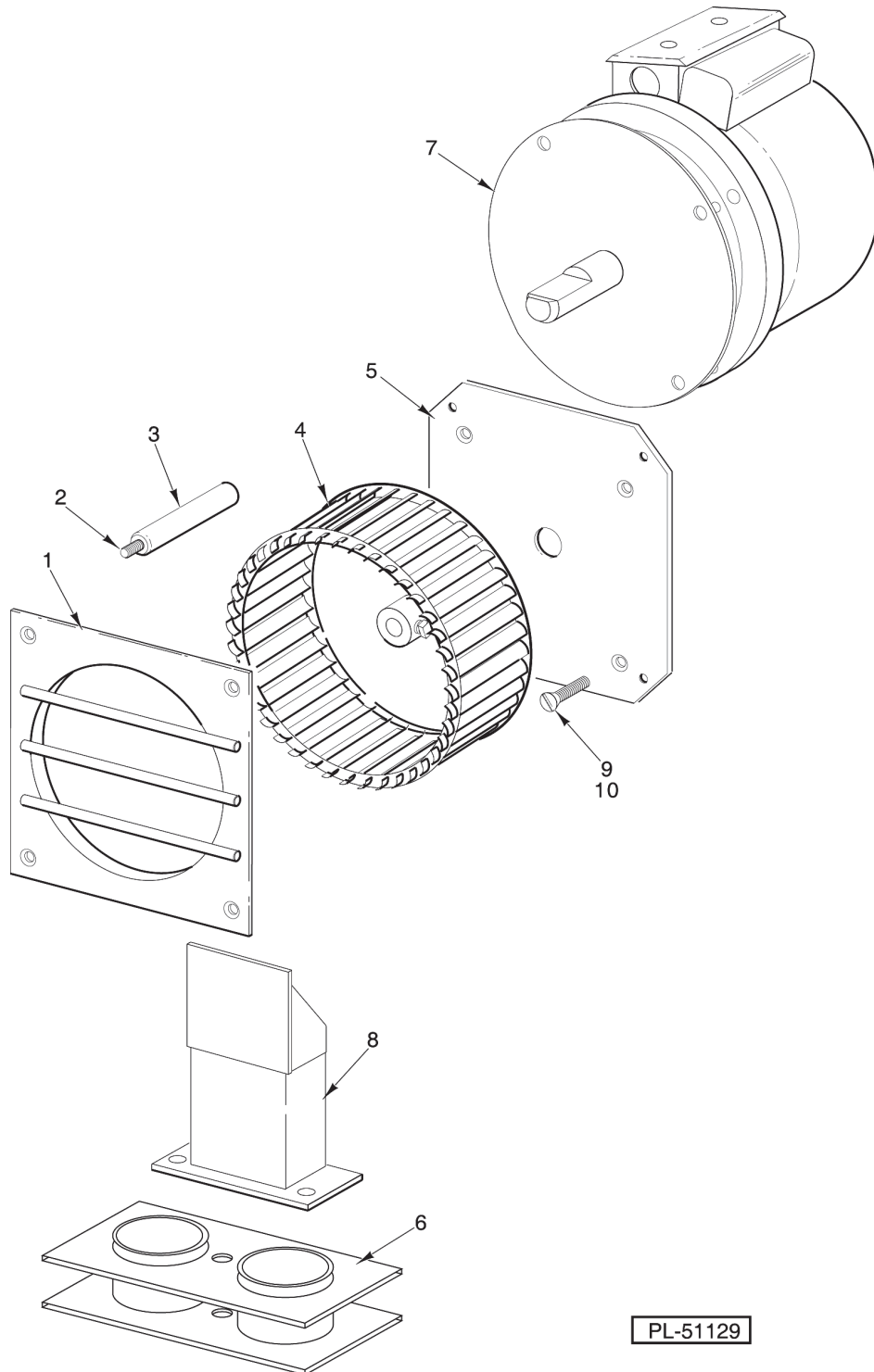
**RANGE - GH45/72 & GHM45/72 (CON'T.)**

ILLUS. PL-51692A	PART NO.	NAME OF PART	AMT.
75	00-404079-0000F	Nozzle - Burner .....	2
76	00-010901-00040	Orifice (Nat. Gas) .....	2
77	00-010901-00052	Orifice (L.P. Gas) .....	2
78	00-010901-00029	Orifice (MFG. Gas) .....	2
79	00-404060-00003	Mixer - Air .....	2
80	00-409650-00003	Back - Top .....	1
81	00-420664-000G2	Front Top Assy. (34" Wide)(SST) .....	1
	00-405848-00001	Center Brick .....	2
	00-406241-00001	Side Brick .....	4
	00-405881-00001	Bracket - Front Manifold .....	2
	00-405880-00001	Bracket - Rear Manifold .....	2
	00-404629-00002	Bushing - Door Hinge Pin .....	2
	00-405618-00001	Door Hook - LH .....	1
	00-405618-00002	Door Hook - RH .....	1
	00-409675-00001	Burner Closure - Standard Oven .....	1
	00-420778-00001	Catch Bracket - Kick Panel .....	2
	00-412788-00002	Thermocouple - TS11 .....	1
	00-412788-00004	Thermocouple - BASO .....	1
	00-497002-00001	Caster, Swivel .....	2
	00-497002-00002	Caster, W/Brake .....	2
	00-413966-00004	Overlay, Control Panel - Standard Oven (Prior to September 2004) .....	1
	00-497127-00001	Overlay, Control Panel - Standard Oven (September 2004 to Present) .....	1
	00-415677-00001	Capillary Clip (Oven Thermostat) .....	1
	00-407522-00006	Thermostat (650 Degree) ("Lobster" Oven) .....	1
	00-412527-00001	Knob -Thermostat (650 Degree) .....	1
	00-419810-00001	Plate (Replaces Oven Bottom Assy. for "Lobster" Oven) .....	1
	00-413746-00001	Bracket - Burner/Drip Tray Handle .....	2



**GH SERIES RANGES - CONVECTION OVEN PARTS**

ILLUS. Fig. 1	PART NO.	NAME OF PART	AMT.
1	00-420774-00001	Panel - Control (Prior to September 2004)	1
	00-497126-00002	Panel - Control (September 2004 to Present)	1
2	00-413966-00003	Overlay - Control Panel (Prior to September 2004)	1
	00-497127-00002	Overlay - Control Panel (September 2004 to Present)	1
3	00-413976-00001	Knob - Thermostat (Convection Oven)	1
4	00-411496-000B4	Rocker Switch - ON/OFF, Lighted	1
5	00-411506-00003	Thermostat (Convection Oven)	1
6	00-413957-000G1	Oven Burner Assy. (Convection Oven)	1
7	00-409125-00001	Pilot Assy. (Nat. Gas) (.020 Dia.) (Prior to September 2000)	1
	00-426262-00001	Pilot Assy. (Nat. Gas) (September 2000 to Present)	1
8	00-409125-00002	Pilot Assy. (L.P. Gas) (.009 Dia.) (Prior to September 2000)	1
	00-426262-00002	Pilot Assy. (L.P. Gas) (September 2000 to Present)	1
9	00-409125-00003	Pilot Assy. (MFG. Gas) (.024 Dia.) (Prior to September 2000)	1
	00-426262-00003	Pilot Assy. (MFG Gas) (September 2000 to Present)	1
10	00-409791-000G4	Door Assy. - Convection Oven	1
	00-418557	Gasket - Oven Door	1
	00-411496-000E4	Light - Indicator	1
	00-411496-000F1	Switch - Door	1
	00-428067-000G4	Gas Solenoid Valve - Replacement Kit (Prior to June 2002)	1
	00-428045-00001	Gas Solenoid Valve (June 2002 to Present)	1
	00-414000-00001	Closure - Oven Burner	1
	00-414487-00001	Motor Bumper Bar	1
	00-415957-00002	Collar w/set Screw for Door Switch	1
	00-414267-00001	Drip Pan (For Oven)	1
00-422096-000G1	Wiring Harness - Complete	1	

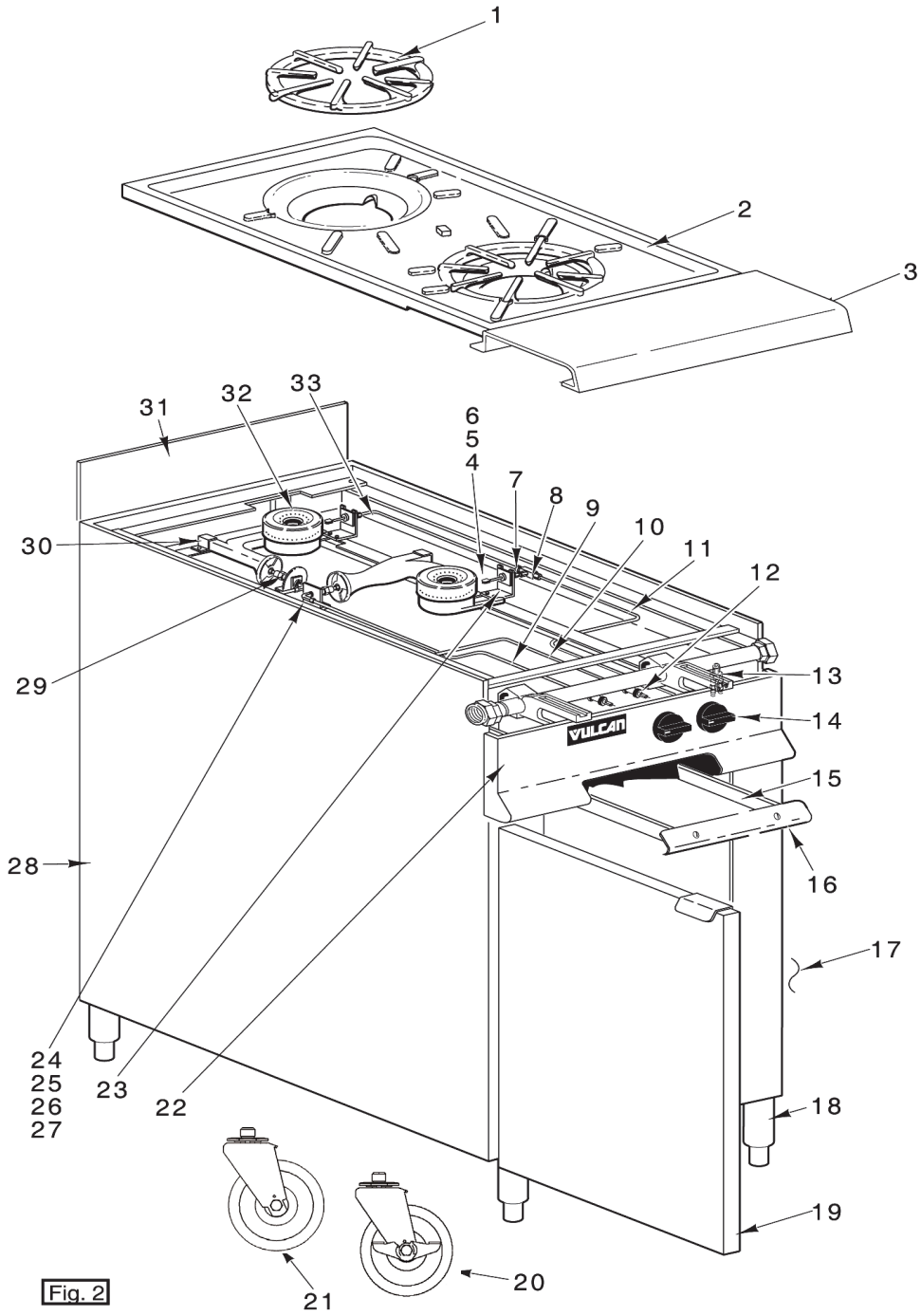


PL-51129

**CONVECTION OVEN CAVITY**

**CONVECTION OVEN CAVITY**

ILLUS. PL-51129	PART NO.	NAME OF PART	AMT.
1	00-413990-000G1	Fan Cover Assy. ....	1
2	SC-081-26	Mach. Screw 1/4-20 x 3-1/2 Rd. Hd. ....	4
3	00-411289-00001	Spacer - Fan Housing (1/8 Pipe x 27/8) ....	4
4	00-415780-00007	Rotor - Air ....	1
5	00-413987-00001	Mount - Motor ....	1
6	00-413588-000G2	Vent Assy. ....	1
7	00-419730-00001	Motor 1/4 H.P., 115V ....	1
8	00-413627-000G2	Tube - Snorkel Assy. ....	1
9	SC-120-14	Mach. Screw 1/4-20 x 2 Flat Hd. ....	4
10	NS-031-18	Stop Nut 1/4-20 Hex ....	4
	00-419719-00002	Bracket, Motor Mounting ....	2
	00-413975-000G1	Box, Motor Mounting ....	1
	00-414426-00001	Fan, Cooling ....	1
	00-414446-000G1	Panel, Back (For Units W/Cooling Fan) ....	1

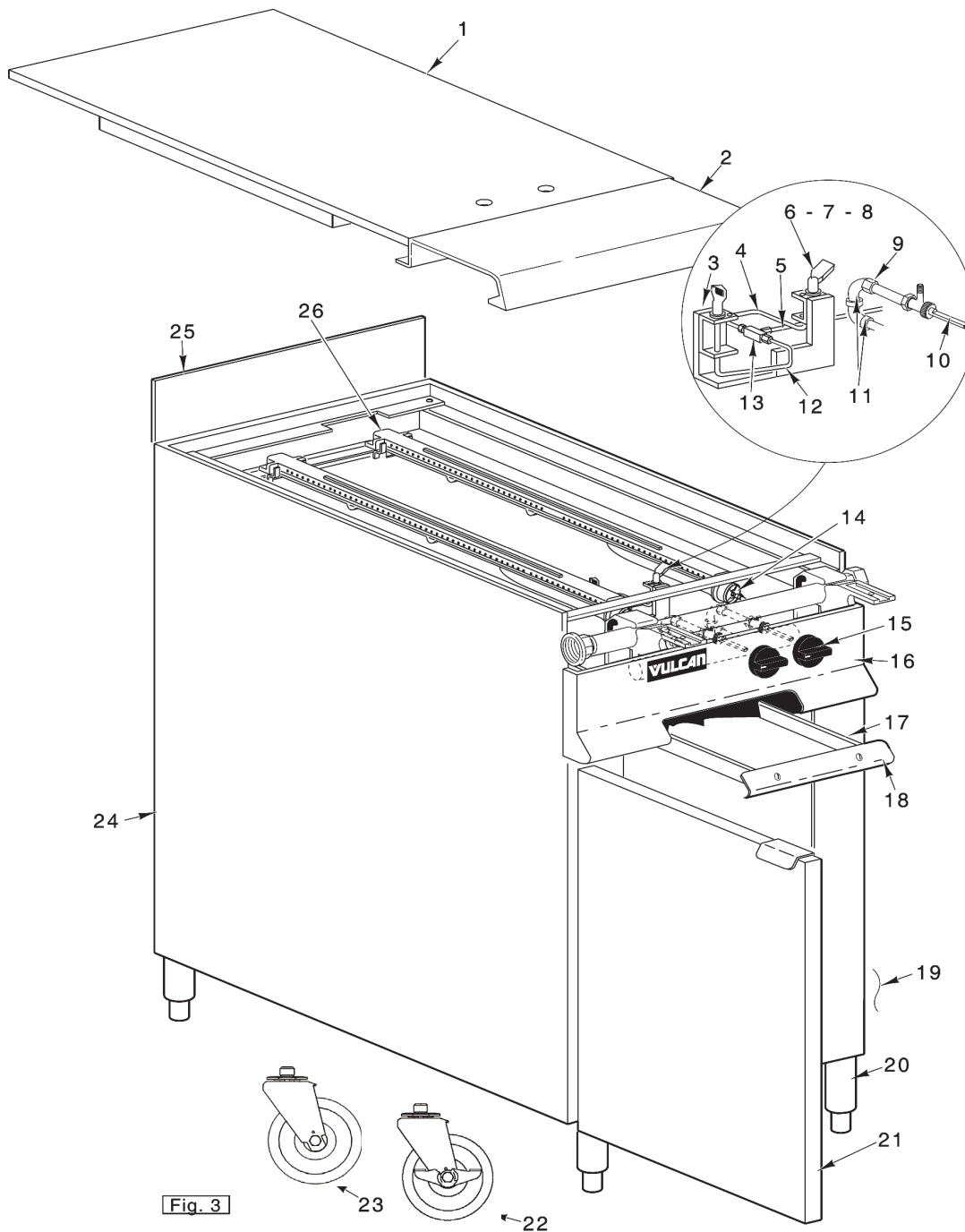


RANGE - GHX45 & GHXM45

**RANGE - GHX45 & GHXM45**

ILLUS. Fig. 2	PART NO.	NAME OF PART	AMT.
1	00-409432-00001	Grate - Cast Iron .....	2
2	00-409433-00001	Plate - Top Cast Iron .....	1
3	00-420663-000G2	Top - Front (17" Wide)(SST) .....	1
4	00-409125-00010	Pilot Assy. (Nat.) (.020 Dia.) .....	2
5	00-409125-00012	Pilot Assy. (LP) (.009 Dia.) .....	2
6	00-409125-00011	Pilot Assy.(MFG.) (.024 Dia.) .....	2
7	00-415003-00001	Tube - Pilot Extension .....	1
8	FP-081-74	Tee 1/4 x 1/4 x 1/4 .....	1
9	00-409871-00001	Tube - Burner (Short)(R.H.) .....	1
10	00-409805-00001	Tube - Burner (Long)(R.H.) .....	1
11	00-414994-00002	Tube - Pilot (Tube Tee to Valve)(R.H.) .....	1
12	00-408379-00004	Valve - Burner (Top) .....	2
13	00-420786-00001	Valve - Dual Burner .....	1
14	00-420560-00001	Knob - Top Burner .....	2
15	00-409888-00009	Burner Tray Assy. ....	1
16	00-413747-00004	Handle - Drip Tray .....	1
*17	00-409869-00003	Body - Side (R.H.) .....	1
*18	00-409840-00006	Leg (SST) .....	4
*19	00-412945-000G3	Door Assy. ....	1
*20	00-497002-00002	Caster W/Brake .....	2
*21	00-497002-00001	Caster W/O Brake .....	2
22	00-413751-00002	Cover - Manifold .....	1
23	00-409807-00001	Bracket - Pilot .....	2
24	00-404079-0000F	Nozzle - Burner .....	2
25	00-010901-00040	Orifice (Nat. Gas) .....	2
26	00-010901-00052	Orifice (L.P. Gas) .....	2
27	00-010901-00029	Orifice (MFG. Gas) .....	2
*28	00-409869-00004	Body - Side (L.H.) .....	1
29	00-404060-00003	Mixer - Air .....	2
30	00-415044-00001	Clip - Burner .....	2
31	00-409650-00003	Back - Top .....	1
32	00-409417-00001	Burner Head .....	2
	00-409416-000G1	Lower Burner Assy. ....	2
33	00-414993-00001	Tube - Pilot (Tee to Pilot) .....	1
	00-408615-00021	Handle - Cabinet Door .....	1
	00-412779-00003	Hinge - RH Door .....	1
	00-412779-00004	Hinge - LH Door .....	1
	00-408834-00001	Magnet - Door .....	1

\*GHX Models Only.

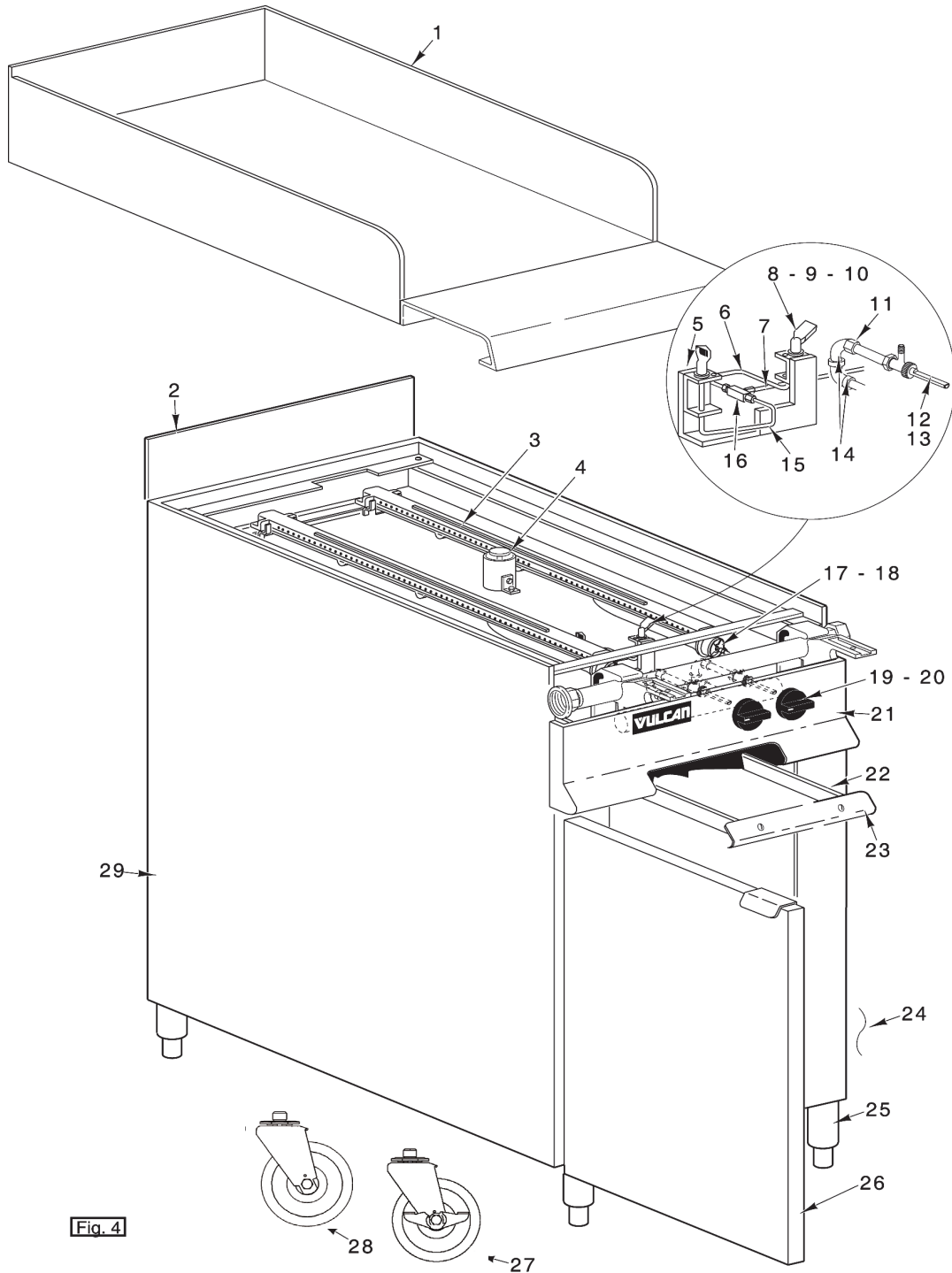


RANGE - GHX72 & GHXM72

**RANGE - GHX72 & GHXM72**

ILLUS. Fig. 3	PART NO.	NAME OF PART	AMT.
1	00-404772-00001	Top - Even Heat .....	1
2	00-420663-000G2	Top - Front (17" Wide)(SST) .....	1
3	00-409813-00001	Bracket - Pilot (MTG.) .....	1
4	00-409816-00002	Tubing - (Tee to R.H. Pilot) .....	1
5	00-409815-00001	Tubing - Pilot (L.H.)(Tee to Manifold) .....	1
6	00-409839-00001	Burner - Pilot (Nat.) .....	2
7	00-409839-00002	Burner - Pilot (MFG.) .....	2
8	00-409839-00003	Burner - Pilot (LP) .....	2
9	FP-086-07	Fitting - Tube (7/16 Tube to 3/8 FPT) .....	1
10	00-408379-00004	Valve - Burner (Top) .....	1
11	FP-078-75	Elbow - Pipe 3/8 x 90 Deg. ....	2
12	00-414824-00001	Tubing - Pilot (L.H.) .....	1
13	FP-081-74	Tee 1/4 x 1/4 x 1/4 .....	1
14	00-404060-00003	Mixer - Air .....	1
15	00-420560-00001	Knob - Top Burner .....	2
16	00-409879-00002	Manifold Cover .....	1
17	00-409888-00009	Burner Tray Assy. ....	1
18	00-410491-00003	Handle - Drip Tray .....	1
*19	00-409869-00003	Body - Side (R.H.) .....	1
*20	00-409840-00006	Leg (SST) .....	4
*21	00-412945-000G3	Door Assy. ....	1
*22	00-497002-00002	Caster W/Brake .....	2
*23	00-497002-00001	Caster W/O Brake .....	2
*24	00-409869-00004	Body - Side (L.H.) .....	1
25	00-409649-00003	Back - Top .....	1
26	00-405831-000G3	Burner Assembly .....	2
	00-405848-00001	Center Brick .....	2
	00-406241-00001	Side Brick .....	4
	00-408615-00021	Handle - Cabinet Door .....	1
	00-412779-00003	Hinge - RH Door .....	1
	00-412779-00004	Hinge - LH Door .....	1
	00-408834-00001	Magnet - Door .....	1

\*GHX Models Only.

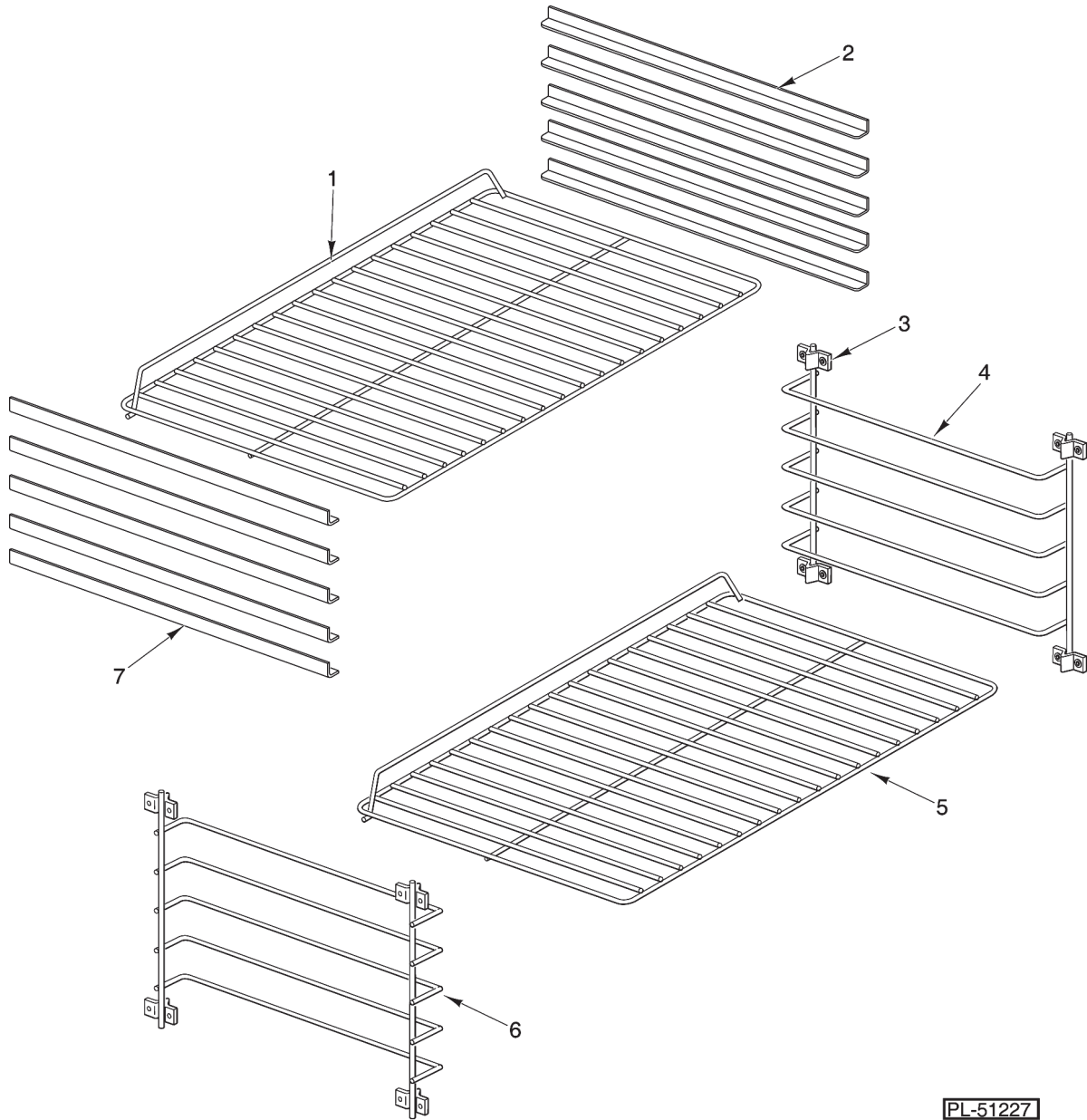


RANGE - GHX60/GHXM60 & GHX60T, GHXM60T

**RANGE - GHX60/GHXM60 & GHX60T, GHXM60T**

ILLUS. Fig. 4	PART NO.	NAME OF PART	AMT.
1	00-427474-000G4	Plate - Steel Griddle Assy. ....	1
2	00-409650-00003	Back - Top .....	1
3	00-405831-000G3	Burner Assy. (GHX60, GHXM60) .....	2
4	00-427318-00001	Thermostat (Griddle) .....	1
5	00-409813-00001	Support - Pilot (Top) .....	1
6	00-409816-00002	Tubing - (Tee to R.H. Pilot) .....	1
7	00-409815-00001	Tubing - Pilot (L.H.)(Tee to Manifold) .....	1
8	00-409839-00001	Burner - Pilot (Nat.) .....	1
9	00-409839-00002	Burner - Pilot (MFG.) .....	1
10	00-409839-00003	Burner - Pilot (LP) .....	1
11	FP-086-07	Fitting - Tube (7/16 Tube to 3/8 FPT) .....	1
12	00-408379-00004	Valve - Burner Top (GHX60) .....	1
13	00-407789-00001	Valve - Burner Top (GHX60T) .....	1
14	FP-078-75	Elbow - Pipe 3/8 x 90 Deg. ....	1
15	00-414824-00001	Tubing - Pilot (L.H.) .....	1
16	FP-081-74	Tee 1/4 x 1/4 x 1/4 .....	1
17	00-404060-00001	Mixer - Air .....	2
18	00-417879-00001	Nozzle - Pilot Burner .....	1
19	00-420560-00001	Knob - Top Burner .....	2
20	00-413617-00001	Dial - Thermostat .....	2
21	00-409879-00002	Manifold Cover (GHX60) .....	1
	00-409881-00002	Manifold Cover (GHX60T) .....	1
22	00-409888-00009	Burner Tray Assy. ....	1
23	00-410491-00003	Handle - Drip Tray .....	1
*24	00-409869-00003	Body - Side (R.H.) .....	1
*25	00-409840-00006	Leg (SST) .....	4
*26	00-412945-000G3	Door Assy. ....	1
*27	00-497002-00002	Caster W/Brake .....	2
*28	00-497002-00001	Caster W/O Brake .....	2
*29	00-409869-00004	Body - Side (L.H.) .....	1
	00-408615-00021	Handle - Cabinet Door .....	1
	00-412779-00003	Hinge - Door (RH) .....	1
	00-412779-00004	Hinge - Door (LH) .....	1
	00-408834-00001	Magnet - Door .....	1
	00-405848-00001	Center Brick .....	2
	00-406241-00001	Side Brick .....	4
	00-409682-000G4	Grease Collector (GHX60, GHX60T) .....	1
	00-409682-000G10	Grease Collector (GHXM60, GHXM60T) (Modular Unit) .....	1
	00-427481-000G1	Griddle Thermostat Replacement Kit .....	1
	FP-067-41	Drain Tube (From Griddle Plate to Grease Pan) .....	1

\*GHX Models Only.  
\*\*GHXM Models Only.



**RACKS & SUPPORTS**

ILLUS. PL-51227	PART NO.	NAME OF PART	AMT.
1	00-404074-00002	Rack - Oven (Standard Oven) .....	AR
2	00-409778-000G1	Lining - Side (R.H.)(Standard Oven) .....	1
3	00-413951-00001	Clip - Wire Rack Support .....	8
4	00-415430-00001	Support - Rack (R.H.) .....	1
5	00-413991-00001	Rack - Oven (Convection Oven) .....	AR
6	00-415430-00002	Support - Rack (L.H.) .....	1
7	00-409778-000G2	Lining - Side (L.H.)(Standard Oven) .....	1

**RECOMMENDED SPARE PARTS  
HEAVY DUTY RANGES - GH30  
STANDARD AND CONVECTION OVENS  
BUILT AFTER JULY 2000**

PART NO.	NAME OF PART	AMT.
00-409839-00001	Top Pilot Burner (Nat. Gas) .....	2
00-409839-00003	Top Pilot Burner (L.P. Gas) .....	2
00-402601	Top Burner Valve .....	2
00-420560-00001	Knob - Burner Valve .....	2
00-402957-00002	Knob - Red ON/OFF .....	2
00-412014-00001	Spring - Door .....	2
00-403956-00001	Bell Crank .....	2
00-413091-00002	J-Hook for Spring .....	2
00-407789-00001	Service Valve .....	2
00-405618-00001	Hook - Bell Crank (RH) .....	2
00-405618-00002	Hook - Bell Crank (LH) .....	2
00-407522-00001	Thermostat - Oven .....	2
00-413614-00001	Knob - Thermostat .....	2
00-408279-00006	Regulator (L.P. Gas) 3/4 .....	2
00-408279-00005	Regulator (Nat. Gas) 3/4 .....	2
00-426262-00001	Pilot - Burner (Oven) (Nat. Gas) .....	2
00-426262-00002	Pilot - Burner (Oven) (L.P. Gas) .....	2
00-427083-00002	Safety Valve (TS11) .....	2
00-412788-00002	Thermocouple (TS11) .....	2
00-720719	Safety Valve (BASO) .....	2
00-412788-00004	Thermocouple (with 00-720719) .....	2

**CONVECTION OVENS**

00-419730-00001	Motor - 120V .....	1
00-411496-000F1	Switch - Micro .....	2
00-411496-000B4	Switch - ON/OFF .....	2
00-411496-000E4	Light - ON .....	2
00-426262-00001	Pilot Assy. (Nat. Gas) .....	2
00-426262-00002	Pilot Assy. (L.P. Gas) .....	2
00-418557	Gasket - Door .....	1
00-413976-00001	Knob - Thermostat .....	2
00-411506-00003	Thermostat (Convection Oven) .....	2

**RECOMMENDED SPARE PARTS  
HEAVY DUTY RANGES - GH45  
STANDARD AND CONVECTION OVENS  
BUILT AFTER JULY 2000**

PART NO.	NAME OF PART	AMT.
00-409125-00010	Top Pilot Burner (Nat. Gas) .....	2
00-409125-00012	Top Pilot Burner (L.P. Gas) .....	2
00-408379-00004	Top Burner Valve .....	2
00-420560-00001	Knob - Burner Valve .....	2
00-402957-00002	Knob - Red ON/OFF .....	2
00-412014-00001	Spring - Door .....	2
00-403956-00001	Bell Crank .....	2
00-413091-00002	J-Hook for Spring .....	2
00-407789-00001	Service Valve .....	2
00-405618-00001	Hook - Bell Crank (RH) .....	2
00-405618-00002	Hook - Bell Crank (LH) .....	2
00-407522-00001	Thermostat - Oven .....	2
00-413614-00001	Knob - Thermostat .....	2
00-408279-00006	Regulator (L.P. Gas) 3/4 .....	2
00-408279-00005	Regulator (Nat. Gas) 3/4 .....	2
00-426262-00001	Pilot - Burner (Oven) (Nat. Gas) .....	2
00-426262-00002	Pilot - Burner (Oven) (L.P. Gas) .....	2
00-427083-00002	Safety Valve (TS11) .....	2
00-412788-00002	Thermocouple (with 00-427083-00002) .....	2
00-720719	Safety Valve (BASO) .....	2
00-412788-00004	Thermocouple (with 00-720719) .....	2

**CONVECTION OVENS**

00-419730-00001	Motor - 120V .....	1
00-411496-000F1	Switch - Micro .....	2
00-418557	Gasket - Door .....	1
00-411496-000B4	Switch - ON/OFF .....	2
00-411496-000E4	Light - ON .....	2
00-426262-00001	Pilot - Assy. (Nat. Gas) .....	2
00-426262-00002	Pilot - Assy. (L.P. Gas) .....	2
00-413976-00001	Knob - Thermostat .....	2
00-411506-00003	Thermostat (Convection Oven) .....	2

**RECOMMENDED SPARE PARTS  
HEAVY DUTY RANGES - GH6  
STANDARD AND CONVECTION OVENS  
BUILT AFTER JULY 2000**

PART NO.	NAME OF PART	AMT.
00-428416-000G1	Top Pilot Tube Assy. (Front) .....	3
00-428416-000G2	Top Pilot Tube Assy. (Rear) .....	3
00-408379-00003	Top Burner Valve .....	2
00-420560-00001	Knob - Burner Valve .....	2
00-402957-00002	Knob - Red ON/OFF .....	2
00-412014-00001	Spring - Door .....	2
00-403956-00001	Bell Crank .....	2
00-413091-00002	J-Hook for Spring .....	2
00-407789-00001	Service Valve .....	2
00-405618-00001	Hook - Bell Crank (RH) .....	2
00-405618-00002	Hook - Bell Crank (LH) .....	2
00-407522-00001	Thermostat - Oven .....	2
00-413614-00001	Knob - Thermostat .....	2
00-408279-00006	Regulator (L.P. Gas) 3/4 .....	2
00-408279-00005	Regulator (Nat. Gas) 3/4 .....	2
00-427083-00002	Safety Valve (TS11) .....	2
00-412788-00002	Thermocouple (with 00-427083-00002) .....	2
00-720719	Safety Valve (BASO) .....	2
00-412788-00004	Thermocouple (with 00-720719) .....	2

**CONVECTION OVENS**

00-419730-00001	Motor - 120V .....	1
00-411496-000F1	Switch - Micro .....	2
00-418557	Gasket - Door .....	1
00-411496-000B4	Switch - ON/OFF .....	2
00-411496-000E4	Light - ON .....	2
00-426262-00001	Pilot - Assy. (Nat. Gas) .....	2
00-426262-00002	Pilot - Assy. (L.P. Gas) .....	2
00-413976-00001	Knob - Thermostat .....	2
00-411506-00003	Thermostat (Convection Oven) .....	2

**RECOMMENDED SPARE PARTS  
HEAVY DUTY RANGES - GH60  
STANDARD AND CONVECTION OVENS  
BUILT AFTER JULY 2000**

PART NO.	NAME OF PART	AMT.
00-427318-00001	Thermostat - Griddle .....	2
00-417576-00005	Knob - Griddle Thermostat .....	2
00-408379-00004	Griddle Burner Valve (Non Thermostat) .....	2
00-420560-00001	Knob - Griddle Burner Valve .....	2
00-402957-00002	Knob - Red ON/OFF .....	2
00-412014-00001	Spring - Door .....	2
00-403956-00001	Bell Crank .....	2
00-413091-00002	J-Hook for Spring .....	2
00-407789-00001	Service Valve .....	2
00-405618-00001	Hook - Bell Crank (RH) .....	2
00-405618-00002	Hook - Bell Crank (LH) .....	2
00-407522-00001	Thermostat - Oven .....	2
00-413614-00001	Knob - Thermostat .....	2
00-408279-00006	Regulator (L.P. Gas) 3/4 .....	2
00-408279-00005	Regulator (Nat. Gas) 3/4 .....	2
00-427083-00002	Safety Valve (TS11) .....	2
00-412788-00002	Thermocouple (with 00-427083-00002) .....	2
00-720719	Safety Valve (BASO) .....	2
00-412788-00004	Thermocouple (with 00-720719) .....	2

**CONVECTION OVENS**

00-419730-00001	Motor - 120V .....	1
00-411496-000F1	Switch - Micro .....	2
00-418557	Gasket - Door .....	1
00-411496-000B4	Switch - ON/OFF .....	2
00-411496-000E4	Light - ON .....	2
00-426262-00001	Pilot - Assy. (Nat. Gas) .....	2
00-426262-00002	Pilot - Assy. (L.P. Gas) .....	2
00-413976-00001	Knob - Thermostat .....	2
00-411506-00003	Thermostat (Convection Oven) .....	2

**RECOMMENDED SPARE PARTS  
HEAVY DUTY RANGES - GH72  
STANDARD AND CONVECTION OVENS  
BUILT AFTER JULY 2000**

PART NO.	NAME OF PART	AMT.
00-409839-00001	Top Pilot Burner (Nat. Gas) .....	2
00-409839-00003	Top Pilot Burner (L.P. Gas) .....	2
00-408379-00004	Top Burner Valve .....	2
00-420560-00001	Knob - Top Burner Valve .....	2
00-402957-00002	Knob - Red ON/OFF .....	2
00-412014-00001	Spring - Door .....	2
00-403956-00001	Bell Crank .....	2
00-413091-00002	J-Hook for Spring .....	2
00-407789-00001	Service Valve .....	2
00-405618-00001	Hook - Bell Crank (RH) .....	2
00-405618-00002	Hook - Bell Crank (LH) .....	2
00-407522-00001	Thermostat - Oven .....	2
00-413614-00001	Knob - Thermostat .....	2
00-408279-00006	Regulator (L.P. Gas) 3/4 .....	2
00-408279-00005	Regulator (Nat. Gas) 3/4 .....	2
00-427083-00002	Safety Valve (TS11) .....	2
00-412788-00002	Thermocouple (with 00-427083-00002) .....	2
00-720719	Safety Valve (BASO) .....	2
00-412788-00004	Thermocouple (with 00-720719) .....	2

**CONVECTION OVENS**

00-419730-00001	Motor - 120V .....	1
00-411496-000F1	Switch - Micro .....	2
00-418557	Gasket - Door .....	2
00-411496-000B4	Switch - ON/OFF .....	2
00-411496-000E5	Light - ON .....	2
00-426262-00001	Pilot - Assy. (Nat. Gas) .....	2
00-426262-00002	Pilot - Assy. (L.P. Gas) .....	2
00-413976-00001	Knob - Thermostat .....	2
00-411506-00003	Thermostat (Convection Oven) .....	2