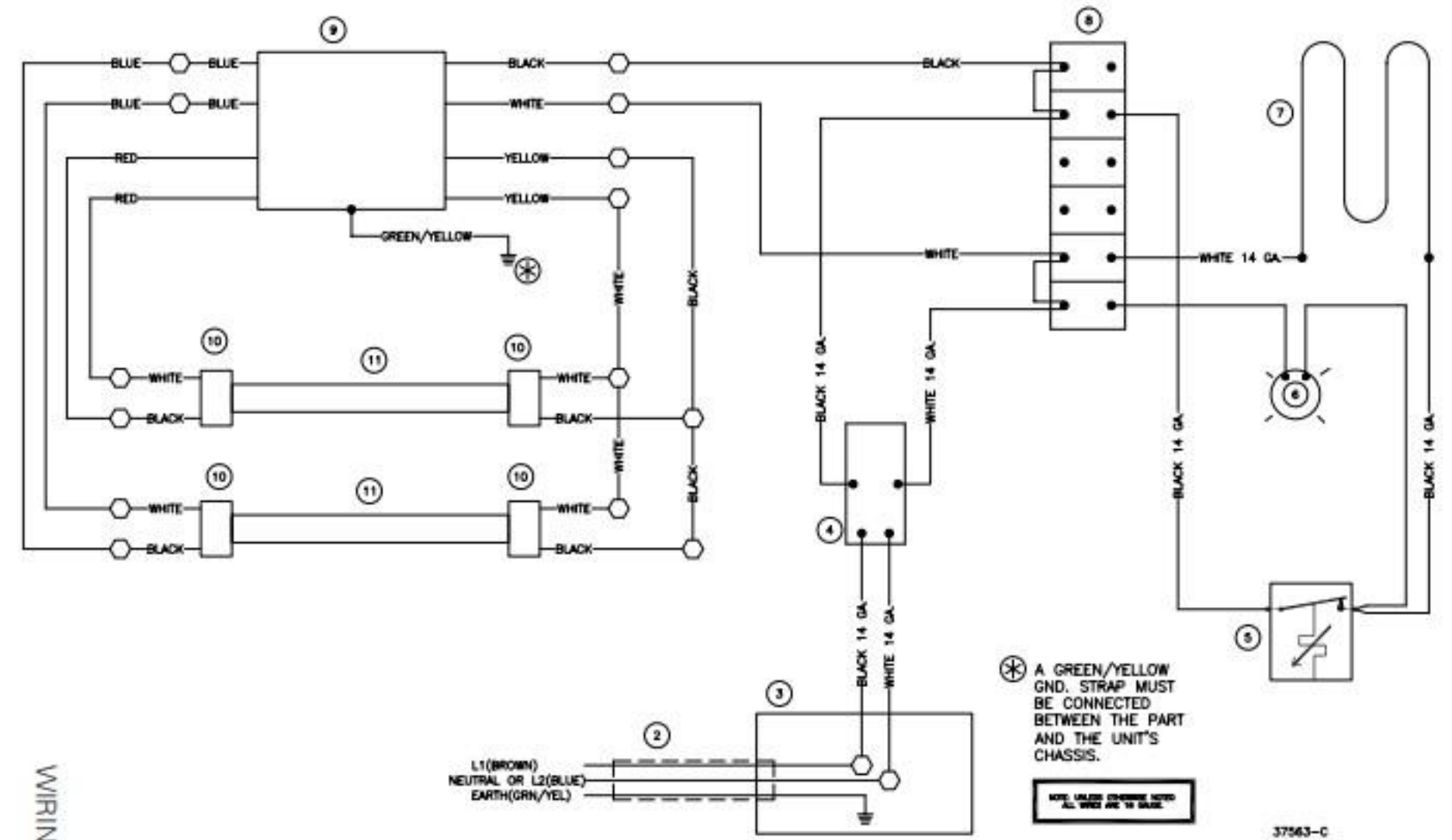


⊛ A GREEN/YELLOW GND. STRAP MUST BE CONNECTED BETWEEN THE PART AND THE UNIT'S CHASSIS.

NOTE: WIRING CONNECTIONS WITH ALL WIRES ARE 18 GAUGE.

33822-C
11/21/02

WIRING DIAGRAM RT5-HC 120/60/1



⊗ A GREEN/YELLOW GND. STRAP MUST BE CONNECTED BETWEEN THE PART AND THE UNIT'S CHASSIS.

NOTE: ALL WIRE TERMINALS MUST BE 14 GA. OR LARGER.

37563-C
11/21/02

WIRING DIAGRAM RT5-HC 220-240/50/1 AND 208-240/60/1