



## INSTALLATION AND OPERATION MANUAL

### GARLAND 36 E SERIES HEAVY DUTY ELECTRIC RANGES AND BROILERS



**FOR YOUR SAFETY:**  
DO NOT STORE OR USE GASOLINE  
OR OTHER FLAMMABLE VAPORS OR  
LIQUIDS IN THE VICINITY OF  
THIS OR ANY OTHER  
APPLIANCE

**WARNING:**  
IMPROPER INSTALLATION, ADJUSTMENT,  
ALTERATION, SERVICE OR MAINTENANCE  
CAN CAUSE PROPERTY DAMAGE, INJURY,  
OR DEATH. READ THE INSTALLATION,  
OPERATING AND MAINTENANCE  
INSTRUCTIONS THOROUGHLY  
BEFORE INSTALLING OR  
SERVICING THIS EQUIPMENT

PLEASE READ ALL SECTIONS OF THIS MANUAL  
AND RETAIN FOR FUTURE REFERENCE.

THIS PRODUCT HAS BEEN CERTIFIED AS  
COMMERCIAL COOKING EQUIPMENT AND  
MUST BE INSTALLED BY PROFESSIONAL  
PERSONNEL AS SPECIFIED.

INSTALLATION AND ELECTRICAL CONNECTION  
MUST COMPLY WITH CURRENT CODES:  
IN CANADA - THE CANADIAN ELECTRICAL  
CODE PART 1 AND / OR LOCAL CODES.  
IN USA - THE NATIONAL ELECTRICAL CODE  
ANSI / NFPA - CURRENT EDITION.

ENSURE ELECTRICAL SUPPLY CONFORMS WITH  
ELECTRICAL CHARACTERISTICS SHOWN ON  
THE RATING PLATE.

Users are cautioned that maintenance and repairs must be performed by a Garland authorized service agent using genuine Garland replacement parts. Garland will have no obligation with respect to any product that has been improperly installed, adjusted, operated or not maintained in accordance with national and local codes or installation instructions provided with the product, or any product that has its serial number defaced, obliterated or removed, or which has been modified or repaired using unauthorized parts or by unauthorized service agents. For a list of authorized service agents, please refer to the Garland web site at <http://www.garland-group.com>. The information contained herein, (including design and parts specifications), may be superseded and is subject to change without notice.

GARLAND COMMERCIAL INDUSTRIES, LLC  
185 East South Street  
Freeland, Pennsylvania 18224  
Phone: (570) 636-1000  
Fax: (570) 636-3903

GARLAND COMMERCIAL RANGES, LTD.  
1177 Kamato Road, Mississauga, Ontario L4W 1X4  
CANADA  
Phone: 905-624-0260  
Fax: 905-624-5669

## **IMPORTANT INFORMATION**

**WARNING:**

**This product contains chemicals known to the state of California to cause cancer and/or birth defects or other reproductive harm. Installation and servicing of this product could expose you to airborne particles of glass wool/ceramic fibers. Inhalation of airborne particles of glass wool/ceramic fibers is known to the state of California to cause cancer.**

# TABLE OF CONTENTS

<b>IMPORTANT INFORMATION</b> .....	<b>2</b>	<b>OPERATION</b> .....	<b>10</b>
<b>DIMENSIONS AND SPECIFICATIONS, 36E SERIES RANGES</b> .....	<b>4</b>	Ovens .....	10
<b>DIMENSIONS AND SPECIFICATIONS, ER36 BROILER</b> .....	<b>5</b>	Controls	
<b>DIMENSIONS AND SPECIFICATIONS, ATTACHMENTS</b> .....	<b>6</b>	Preheat	
<b>GENERAL INFORMATION</b> .....	<b>7</b>	General	
Product Information .....	7	Range Base Convection Oven (RC)	
Rating Plate.....	7	Range Base Convection Oven Operation	
Optional extended warranty .....	7	Problem / Solution	
<b>INSTALLATION</b> .....	<b>8</b>	Motor Care	
Clearances and Setting.....	8	Top Sections.....	12
Legs.....	8	Cooking Top – Open Type Burners	
Electrical Connections.....	8	Boiling Plates	
Wiring Diagram.....	8	All Purpose Plates	
Circuit Breakers and Fuses.....	8	Griddle Plates	
Main Line Entrance.....	9	Operation of Broiling Section	
Terminal Block.....	9	<b>MAINTENANCE AND CLEANING</b> .....	<b>15</b>
Sanitary Counter Top Seal .....	9	Painted Finishes .....	15
Assembly of Battery.....	9	Stainless Steel .....	15
Installation Instructions for Mounting The ER36 (Salamander) To 36E Series.....	9	Oven Inner Door Liner and Oven Deck (Porcelain Enamel) .....	15
Installation Instructions for Mounting The Double Deck High Shelf 36E Series .....	10	Interior Cleaning of Standard Aluminized Steel Interior Surfaces.....	15
Ventilation.....	10	Cleaning and Care of Top Surface Heating Burners.....	16
		Cleaning of Griddle, All Purpose Plates and Boil Plates .....	16
		Broiler Section .....	16
		<b>WIRING DIAGRAMS</b> .....	<b>17</b>

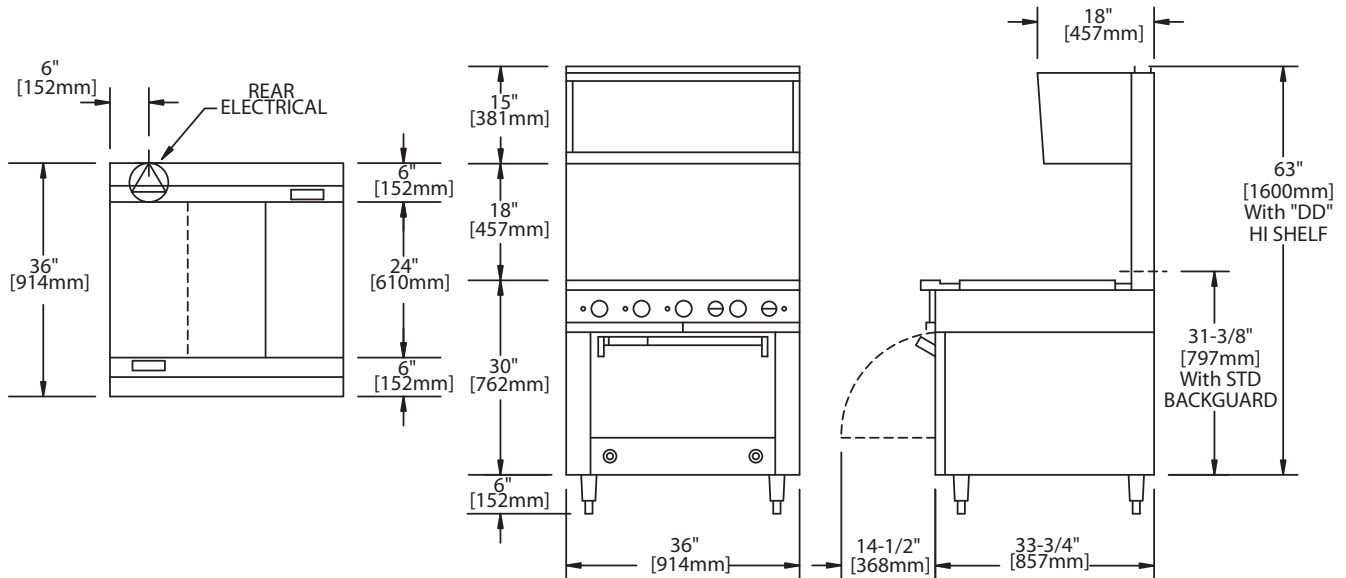
# DIMENSIONS AND SPECIFICATIONS, 36E SERIES RANGES

MODEL	TOTAL kW	3-PHASE kW PER PHASE ALL VOLTAGES			NOMINAL AMPERES PER LINE											
					SINGLE PHASE			THREE PHASE								
		X-Y	Y-Z	X-Z	208V	240V	460V	208V			240V			460V		
								X	Y	Z	X	Y	Z	X	Y	Z
36ER32, 36ER38	21.5	6.5	5	10	103	91	47	69	48	64	61	43	56	31	22	28
36ER32-3 36ER33-88	20.7	6.5	1.2	10	99	88	NA	69	45	60	61	40	53	NA	NA	NA
36ER33	19.1	6.5	4.2	8.4	92	81	NA	62	45	54	55	40	47	NA	NA	NA
36ER33-99	18.7	4.2	8	6.5	90	79	NA	45	52	61	40	45	54	NA	NA	NA
36ER35, 36ER36	18.5	6.5	6	6	89	78	40	53	53	51	46	46	44	24	24	23
36ER39	18.5	6.5	4	8	89	79	40	61	45	50	54	39	45	28	20	23
36ET32, 36ET38	15	5	5	5	72	64	33	42	42	42	37	37	37	19	19	19
36ET/ES32-3, 36ET/ES33-88	14.2	5	4.2	5	68	60	NA	42	39	39	37	34	34	NA	NA	NA
36ET/ES33	12.6	4.2	4.2	4.2	61	53	NA	35	35	35	31	31	31	NA	NA	NA
36ET/ES33-99	12.1	4.2	4	4	58	52	NA	35	35	34	31	31	30	NA	NA	NA
36ET/ES35, 36ET/ES36	12	0	6	6	58	51	26	29	29	51	25	25	44	13	13	23
36ET/ES39	12	4	4	4	58	51	26	34	34	34	30	30	30	15	15	15
36ERC32	20.4	5.4	5	10	98.1	85	NA	65	44	63	56	38	54	NA	NA	NA
36ERC32-3	19.6	5	4.6	10	94.2	81.7	NA	44	40	61	38	35	53	NA	NA	NA
36ERC33	18	5	4.6	8.4	86.5	75	NA	56	40	55	49	35	47	NA	NA	NA
36ERC33-88	19.6	5	4.6	10	94.2	81.7	NA	63	40	61	55	35	53	NA	NA	NA
36ERC33-99	17.6	8.2	4.4	5	84.6	73.3	NA	56	53	40	48	46	34	NA	NA	NA
36ERC35	17.4	5	6	6.4	83.7	72.5	NA	52	46	44	45	40	38	NA	NA	NA
36ERC36	17.4	5.4	6	6	83.6	72.5	NA	48	48	50	42	42	44	NA	NA	NA
36ERC38	20.4	5	5.4	10	98.1	85	NA	63	44	65	55	38	56	NA	NA	NA
36ERC39	17.4	5.4	4	8	83.7	72.5	NA	56	40	58	49	34	44	NA	NA	NA

**Note for Model Numbers: ER= Oven Base, ET= Modular TOP, ES=Storage Base, ERC=Convection Oven Base**

CLEARANCES			
ENTRY		TO COMBUSTIBLE WALL	
		SIDES	REAR <sup>1</sup>
41-1/4" (1048mm)	36-1/4" (921mm)	3" (76mm)	1/2" (13mm)

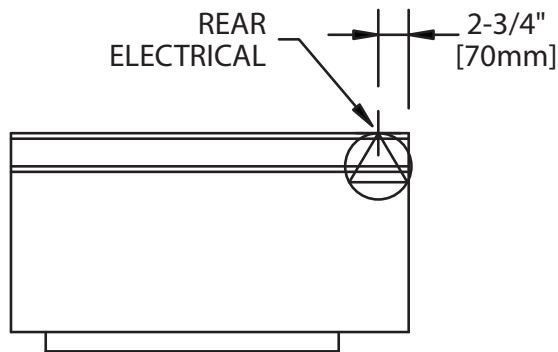
<sup>1</sup> Rear Clearance for Convection ovens is 2" (51mm)



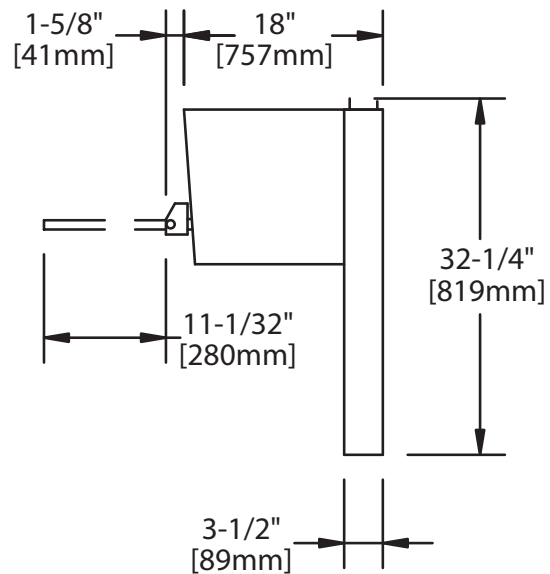
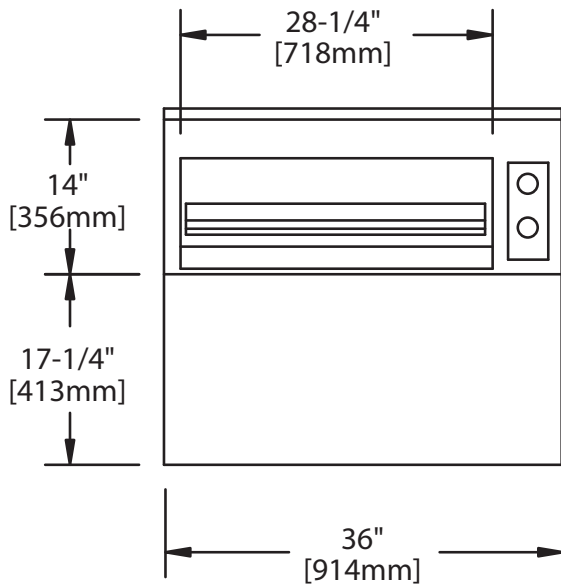
# DIMENSIONS AND SPECIFICATIONS, ER36 BROILER

ELECTRICAL LOADING CHART: MODEL ER36		
VOLTAGE	TOTAL kW	NOMINAL AMPERES PER LINE
		SINGLE PHASE
208	7.00	33.7
240	7.00	29.2
460	5.51	12.0

NOTE: When ER36 models are wired independently from the range, they are only available as single phase. Refer to wiring diagrams for detailed range mount electrical data.

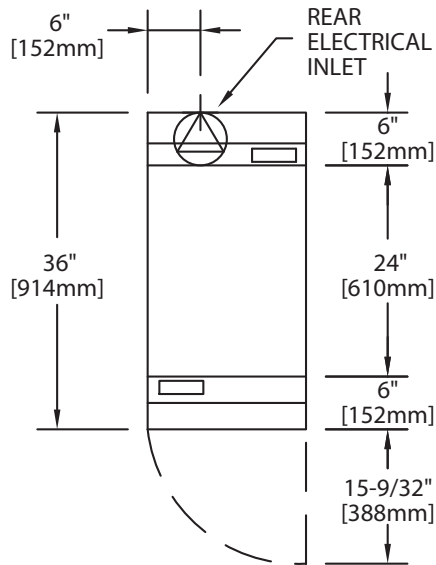


COMBUSTIBLE WALL CLEARANCES		
Left Side	Right Side	Back
6" (152mm)	4-1/2" (114mm)	1/2" (13mm)



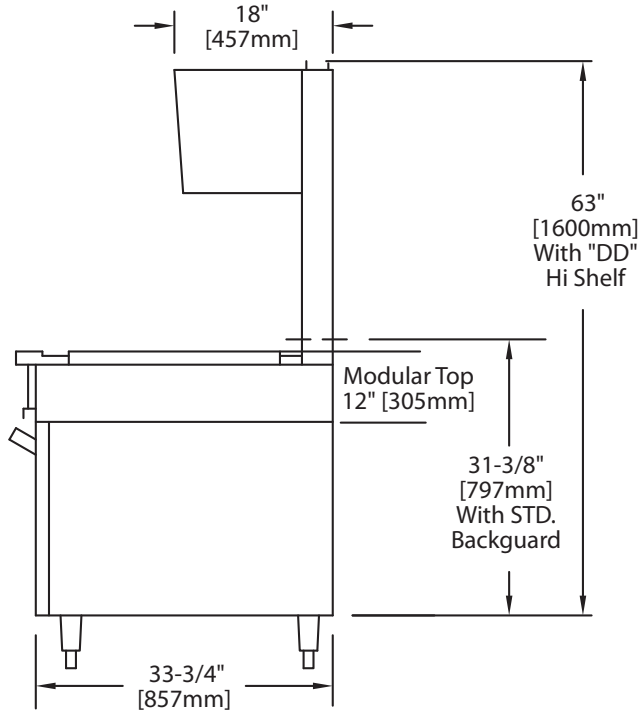
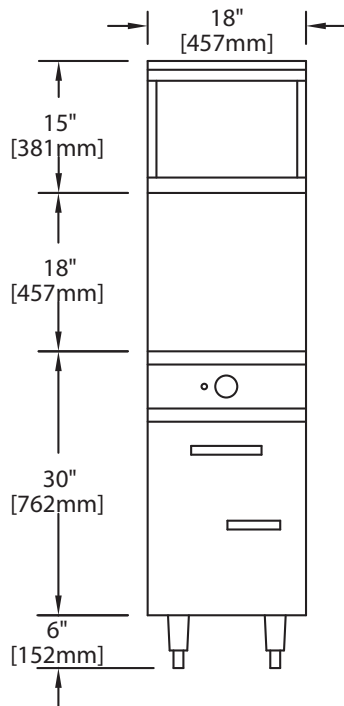
# DIMENSIONS AND SPECIFICATIONS, ATTACHMENTS

ELECTRICAL LOADING CHART : MODELS 36ES(ET)16 & 36-ES(ET)15		
VOLTAGE	TOTAL kW	NOMINAL AMPERES PER LINE
		SINGLE PHASE
208	6.00	28.8
240	6.00	25.0
460	6.00	13.0



CLEARANCES			
ENTRY		TO COMBUSTIBLE WALL	
CRATED	UNCRATED	SIDES	REAR
20-3/4" (527mm)	18-14" (946mm)	3" (76mm)	1/2" (13mm)

Garland products are not approved or authorized for home or residential use, but are intended for commercial applications only. Garland will not provide service, warranty, maintenance or support of any kind other than in commercial applications.



# GENERAL INFORMATION

## Product Information

36 Series Ranges are designed to battery with other 36 Series equipment.

### Construction

Heavy duty modular construction minimizes the use of hard to clean screws and bolts on exterior of range. Cleaning is made easier and more complete.

### Circuit Breakers

Supplied standard except for open elements. Fuses are used for open elements.

### Grease Troughs

Front and rear, catch excess grease and spillage. Drain into grease pans located under range top.

### Service

Service and maintenance is done completely from the front.

### Oven Base

Giant capacity oven is 26 1/2" (667 mm) wide x 29" (736 mm) deep x 12 1/2" (318 mm) high. Heavy duty thermostat with pilot light provides temperature control between 200°F (93°C) and 500°F (290°C). Top element 3 k.W. and bottom element 3.5 k.W. each controlled by three heat switch for flexibility of heat. One heavy duty rack is standard. Additional racks are available at extra cost. Exclusive heat flow oven design eliminates hot spots and gives consistently even oven temperatures. Aluminum clad steel oven interior reflects heat back to product and ensures long life. Oven door and oven deck finished in porcelain. Oven door is heavy duty typed designed to bear in excess of 250 lbs, (113Kg) load. Spring adjustment is accessible from front of range.

### Storage Base

A storage base with stainless steel doors is available.

### Modular Top

For mounting on a custom made stand.

### Venting

All ranges are supplied with standard 3" (76 mm) high stainless steel vent riser. Double Deck High Shelf available in sizes from 18" (476 mm) to 72" (1829 mm) wide. Standard finish is stainless steel front with brushed chrome splash wall and aluminum clad back. Optional finish is stainless steel shelves, sides and back. A satisfactory power ventilator such as Vent Master properly adapted to the range may be used.

### Rating Plate

When corresponding with the factory refer to the particular unit by the correct model number (including prefix and suffix letters and numbers) and the serial or code number. The rating plate affixed to the unit contains this information.

Before attempting the electrical connection, the rating plate should be checked to ensure that the unit's electrical characteristics and the supply electrical characteristics agree.

Unit rating plate is located behind the lower front panel.

### Optional extended warranty

#### Garland,

With a tradition of superior equipment quality and performance, offers you, our valued customer, an additional one year limited warranty beyond our standard one year coverage.

This additional coverage for parts and labor may be purchased on a new equipment order or up to 60 days after the equipment purchase. Please contact your Equipment Dealer or Maintenance & Repair Center (list enclosed) to take advantage of this exception offer.

Thank you for using Garland products. It is our pleasure to serve you.

# INSTALLATION

## Clearances and Setting

CLEARANCES		
MODEL TYPE	TO COMBUSTIBLE WALL	
	SIDES	REAR*
Range and Range Attachments	3" (76mm)	1/2" (13mm)
Broiler with Range	6" (152mm)	1/2" (13mm)

\* Rear clearance for convection oven base models is 2" (51mm).

Proper placement of the range will ensure operator convenience and satisfactory performance. Adequate clearance must be provided for servicing, ventilation and proper operation. The range must be kept free and clear of combustible material.

## Legs

All units are shipped with N.S.F. approved legs. These legs must be installed to provide a minimum clearance of 6" between the floor and bottom of the unit in order to meet National Sanitation Foundation requirements.

1. Locate unit in its final position.
2. Raise the rear and block it. Insert the bullet foot into the leg cone. Tap with mallet until the bullet foot seats up to the collar. Unit may now be leveled by adjusting hex head portion of the bullet foot. Repeat for all four legs.

## Electrical Connections

Before attempting the electrical connection, the rating plate should be checked to ensure that the unit's electrical characteristics and the supply electrical characteristics agree.

The Garland 36E series complies with the standards CSA C222 no. 109-latest edition, the UL197-latest edition and the NSF #4-latest edition. The installation & connection of this appliance must comply with the current codes. In Canada-the Canadian Electrical Code Part 1 and in the USA-The national Electrical Code.

1. Switch panel size.
2. Overload protection.
3. Wire type.
4. Wire size.
5. Temperature limitations of the wires.
6. Method of connection (Cable, Conduit, etc.)

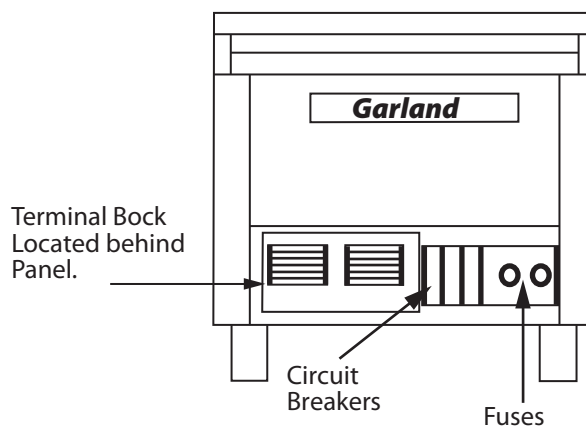
## Wiring Diagram

**IMPORTANT:** Input voltage and phasing must match the units voltage and phasing.

A wiring diagram is attached to the main back of each unit. Visually check all electrical connections. Energize electric service to units. The range is wired standard for three phase connections. If it is necessary to change to single phase, please refer to wiring diagrams. Service and unit voltage must agree. Unit rating plate is located behind the lower front panel.

## Circuit Breakers and Fuses

Heavy duty circuit breakers and fuses are provided to assure you many years of safe trouble-free operation. They are located behind the lower front panel.





# INSTALLATION continued

## Main Line Entrance

Two (2) alternate entrance location are provided as follows:

1. Through bottom of range. Center line of bottom entrance hole is 8 3/4" from left and 5" from front base. If conduit is used, allow an 8 1/2" extension for units installed with legs adjusted to 6" height, a 5" extension when legs are adjusted to a minimum height, a 3" extension when legs are not used.
2. Through back of range. Center line of back entrance is 11" from left side and 2" up from base of range.

## Terminal Block

The terminal block, as well as grounding lug, is mounted in fuse compartment behind lower front panel. To remove panel, loosen screws and lift up and out using louver as handle. All units are equipped with circuit breakers and provided with a panel in front of terminal block.

## Sanitary Counter Top Seal

When a broiler or "T" Section (Top Section) is installed without legs on a counter top it must be sealed completely around base with a silicone sealant in compliance with N.S.F. Standards.

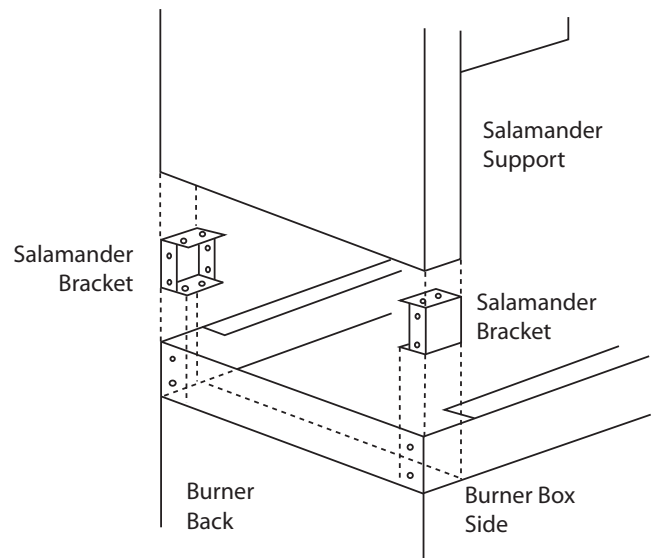
## Assembly of Battery

All units should be placed in their respective battery positions. Remove packing material. The protective covering on stainless steel should also be removed. Level each unit to the oven rack by adjusting legs. Where legs are not used, unit must be leveled by using shims. Use a spirit level and level unit four (4) ways; across front and back and front to back along left and right sides. The two (2) 5/16" hex head bolts and nuts labeled "Remove and use for Banking" should be removed and used for joining unit together through ends of main front top and main back top.

## Installation Instructions for Mounting The ER36 (Salamander) To 36E Series

1. Back of Range must be easily accessible.
2. Install Salamander support brackets to range by slipping Salamander support brackets into the opening in the burner box sides so bottom flange of Salamander support bracket fits over 10-24 stud in range. Securely fasten with 10-24 hex nut and lock washers.

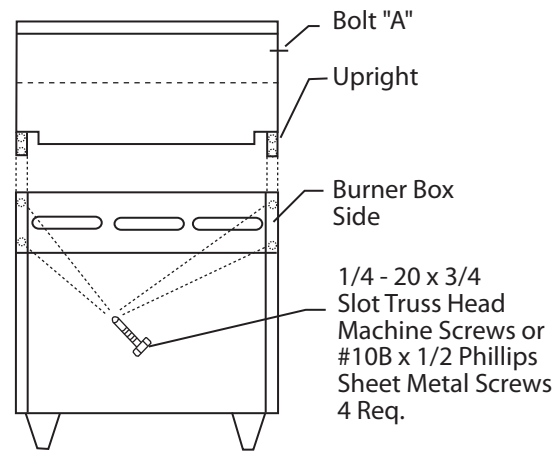
3. Securely fasten Salamander support brackets at the rear to burner box sides with 1/4 - 20 x 3/4 slot truss head machine screws, hex nuts and lock washers.
4. Remove lower front panel from Salamander.
5. Place Salamander on the rear of the Range Lining up holes in Salamander support brackets with holes on Range.
6. Securely fasten Salamander to Range with 5/16 - 18 x 1 hex head machine screws, hex nuts and washers. Replace Salamander lower front panel removed in step 4.
7. Remove Salamander control panel.
8. The two (2) wires coiled on top right section of range should be run through hole in back of Salamander and into wiring compartment.
9. Attach two (2) wires to terminal block per enclosed wiring diagram.
10. Replace Salamander control panel removed in step 7.
11. A burner box back panel, which is installed at the back of the range, is supplied with the salamander. This panel covers the exposed back of the burner box where the mounting brackets are attached. Use the metal machine screws to secure this panel to the back of the range.



# INSTALLATION continued

## Installation Instructions for Mounting The Double Deck High Shelf 36E Series

1. Back of range must be easily accessible.
2. Remove the flat head bolt "A" from each side of high shelf only when place next to a high shelf, Salamander.
3. Place backguard, high shelf on the rear of the Range slipping the support brackets into the opening in the burner box side.
4. Securely fasten support brackets to the burner box sides with (4) 1/4 - 20 x 3/4 slot truss head machine screws or (4) #10B x 1/2 Phillips sheet metal screws. Hardware package will be supplied.
5. Remove lower front panel of the high shelf.
6. Replace flat head bolts removed in step 2 so that each high shelf is bolted to adjacent high shelf at "A".
7. Replace lower front panel of high shelf.



## Ventilation

An adequate ventilation system is recommended for all commercial electrical cooking appliances. For further information please refer to "Vapor Removal From cooking Equipment" National Fire Protection Association Standards.

# OPERATION

## Ovens

### Controls

On standard units, the controls for the lower oven section are located on the right end of the switch pane. Each oven is equipped with top and bottom heating units. Two (2) three heat, heavy duty reversible switches allow for separate operation of each heating unit. An oven thermostat and indicator lamp are also provided for each oven. Regardless of Switch Settings of Upper and Lower heating Units, the Thermostat Has Complete Control of the Temperature of the Oven.

## Preheat

Turn top heating unit (Switch at left of thermostat dial) to "High". Turn bottom heating unit (Switch at right of the thermostat dial) to "High." Set oven thermostat dial to desired temperature. Pilot lamp will now come "ON," indicating oven has not reached desired temperature. When desired temperature is reached, pilot lamp will go "OFF". At this time, top heating switch may be turned "OFF" or set as desired. Bottom heating unit may be left at "High" or set as desired.

## OPERATION continued

During preheat period, keep oven door closed. With oven operating on rated voltage, it will require approximately 18 to 20 minutes to reach 450°F from a cold start.

Personal preferences of different operators dictate time and temperature requirements for various cooking operations. For this reason, no times or temperatures are suggested here. If in doubt, consult a good cookbook on volume cooking.

### General

Baking or roasting may be done in the oven on the oven rack provided with each oven. Best baking or roasting results will be obtained with only one rack of product at a time. Multi-rack loading will greatly change bake/roast characteristics and “done” times. Do not bake or roast directly on the oven bottom. In choosing pans, be sure pan size will allow space between back, sides and oven door to allow for proper heat circulation. Personal preferences of different chefs and food service operators dictate temperature and time requirements for various oven cooking operations. For this reason, no cooking times or temperatures are suggested here. If in doubt, consult a good cookbook on volume food service.

### Range Base Convection Oven (RC)

As a guide, set oven temperature 25° to 50° lower than called for in recipes directions using standard or conventional ovens. Cooking time may be less depending upon the product you are preparing. 2% to 5% is a general rule. Product should be watched the first time it is prepared. Cooking time and oven temperature will vary depending upon such factors as size of load, temperature of product, and mixture of recipe, particularly moisture. When you have established satisfactory time and temperature for our products, record them on a chart and keep as a reference guide.

Preheat oven thoroughly before use. To reach 350°F takes approximately 20 minutes. For optimum results oven should be preheated for 30 minutes to allow for thorough heat saturation. The load should be centered on the oven racks to allow for proper heat circulation around the sides. Load size – the oven will hold three (3) 18” x 26” sheet pans, six (6) 12” x 20” x 2.5” steam table pans or one (1) 17.75” x 25.75” roast pan. Never place pans directly on the oven bottom. Always use the lowest rack position which will allow the air to circulate within the oven cavity. Load and unload food as quickly as possible to prevent an excessive drop in temperature. Avoid using warped pans since level pans bake more evenly. Do not use a deep pan for shallow cakes, cookies, etc, as circulation across the surface is essential for even cooking and browning. To prevent excessive shrinkage, roast meats at a low temperature (250° to 325°F)

When rethermalizing frozen products preheat the oven 50° higher than cooking temperature to compensate for heat loss during and after loading. Thermostat must be returned to cooking temperature after loading.

### Range Base Convection Oven Operation

Activate the power switch to the cook position. Set the fan speed switch to the desired fan speed. Set oven thermostat to the desired oven temperature. Allow 20 to 30 minutes to preheat.

When finished using the oven it should be cooled below 150° before shutting down. Turn the power switch to “cool Down” and open the oven door. Allow fan to operate for approximately 30 minutes. To shut down the oven turn the thermostat and the power switch to the off position.

**CAUTION:** Motor must operate during cooking cycle. Failure to do so will shorten motor life!

We recommend, at the end of a bake or roast period, when the oven will be idle for any period of time to set the oven thermostat to the lowest temperature setting and allow the oven to operate. By doing this, the oven motor will keep itself cool by operating and you will save preheat time for next ovens’ use. If this procedure is not desirable than we recommend that the oven be cooled down below 150°F between baking or roasting periods.

# OPERATION continued

## Problem / Solution

Heavy Duty Range Convection Oven	
Problem	Solution
Cakes are dark on the sides and not done in the center	Lower oven temperature
Cakes edges are too brown	Reduce number of pans or lower oven temperature
Cakes have light outer color	Raise temperature
Cake settles slightly in the center	Bake longer or raise oven temperature slightly. Do not open doors too often or for long periods
Cake ripples	Overloading pans or batter is too thin
Cakes are too coarse	Lower oven Temperature
Pies have uneven color pans	Reduce number of pies per rack or eliminate use of bake pans
Cupcakes crack on top	Lower oven temperature
Meats are browned and not done in center	Lower temperature and roast longer.
Meats are well done and browned	Reduce time. Limit amount of moisture
Meats develop hard crust	Reduce temperature or place pan of water in oven.
Rolls have uneven color	Reduce number of size pans.

## Motor Care

The motor on your Garland range base convection is maintenance free since it is constructed with self-lubricating sealed ball bearing. It is designed to provide durable service when treated with ordinary care. Be sure to follow the cool down procedure as mentioned in the above paragraphs or to lower the oven temperature during idle periods. Failure to follow the prescribe procedure may not void warranties, but, may cause your oven motor to fail when you need it the most.

## Top Sections

### Cooking Top – Open Type Burners

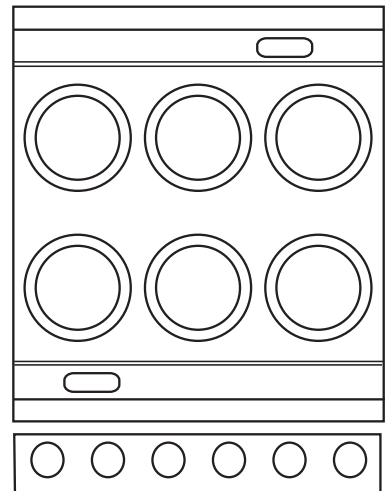
High speed tubular heating units are each provided with a three heat switch. Each high speed tubular heating unit is rated a 2.1 k.w. designed to give speed and flexibility where sauce pans are used. It should be pointed out that these are NOT designed or intended for use in heavy (stock pot) duty service. Use of large stock pots will severely damage surface elements. It is recommended that only utensils of 8" to 10" diameter (with a capacity no greater than 1 U.S. gallon), be used.

Surface heating units should not be left on high heat if not covered by a cooking utensil. Turn switch to "Off" or "Low" when units are idling. Failure to do this will shorten the life of the surface heating elements.

**NEVER USE LARGE STOCK POTS ON SURFACE HEATING ELEMENTS!**

**Top View of 36ER33**

Six Heating Units



Switch Panel

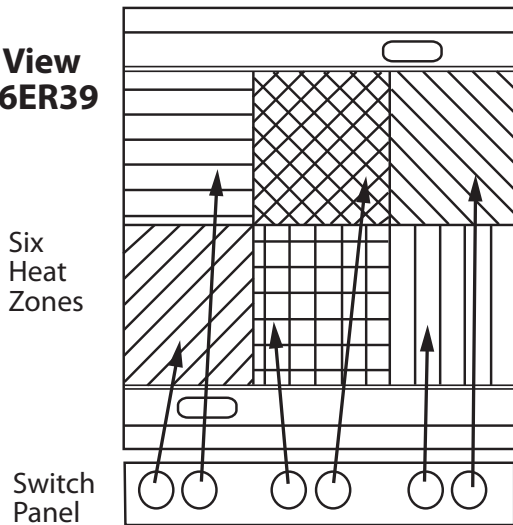
# OPERATION continued

## Boiling Plates

Remove all factory applied protective material (gelled mineral oil) by washing with a hot, mild detergent or soap solution, then dry thoroughly. Before using follow seasoning procedure in the Griddle Plate Section. All Boiling Plates are provided with separate front and back heating units. Each heating unit is operated by a three heat (High-Med-Low-Off), heavy duty reversible switch. Switches are grounded in sets of two (2) for each 12" of plate. In each group, the switch at the left operates the front section, the switch at the right operates the back position.

General Boiling plates are recommended for all stock pot cooking, These plates are the most flexible boiling plates available. The 36" (914 mm) x 24" (610 mm) steel top, has six heat zones. Total top input of 12.0 k.W.

**Top View of 36ER39**

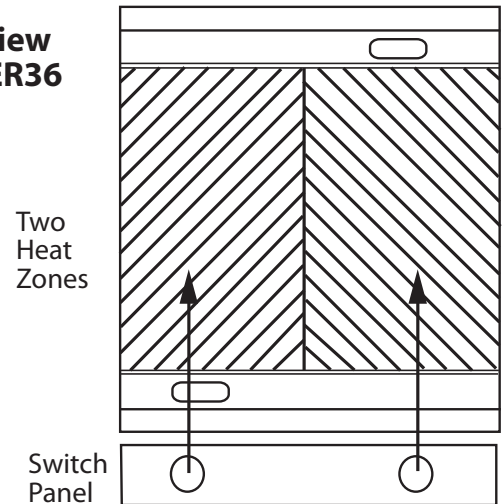


## All Purpose Plates

Remove all factory applied protective material (gelled mineral oil) by washing with a hot, mild detergent or soap solution, then dry thoroughly. Before using follow seasoning procedure in the Griddle Plate Section. Each All Purpose Plate is thermostatically controlled from 250°F to 700°F. thermostat dials are marked from 1 to 10. Approximate temperatures settings are as follows.

MODE	DIAL SETTING	TEMPERATURE
Simmer	1-2	250°F to 300°F
Fry	2-5	300°F to 450°
Boil	5-8	450° to 600°F
Pan Fry & Fast boil	8-10	600°F to 700°

**TOP View of 36ER36**



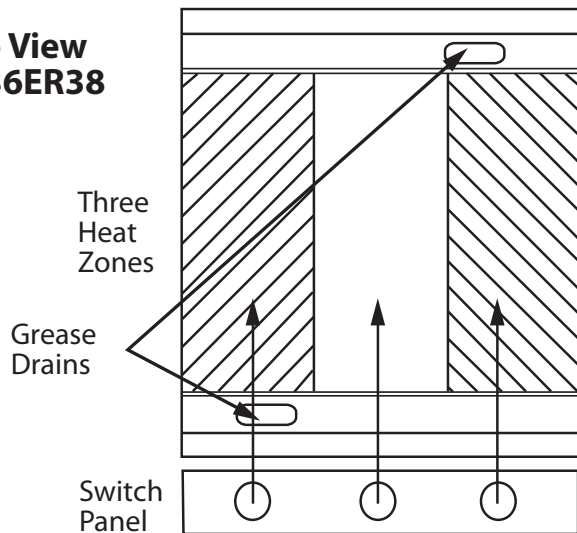
# OPERATION Continued

## Griddle Plates

All steel griddle plates are controlled by thermostats permitting separate temperatures to be maintained at any time. Heavy Griddle work recommended for quantity cooking where even temperature and fast recovery is required. Top plate has welded 2 1/2" (64 mm) high side splash guards. Griddle Top: One 36" (914 mm) x 24" (610 mm) polished steel plate, has three heat zones each thermostatically controlled from 150°F (38°C) to 450°F (232°C) with indicator lamp. Total top input of 15.0 k.W. preheats to 350°F (180°C) in eight minutes.

Remove all factory applied protective material (gelled mineral oil) by washing with a hot, mild detergent or soap solution, then dry thoroughly.

### Top View of 36ER38



## Seasoning

Before being used for the first time, all griddles must be "Seasoned." The following method is recommended:

- Apply a thin coat of cooking oil to the griddle surface, about one ounce per square foot of griddle surface. Spread over the entire griddle surface with a cloth to create a thin film. Wipe off any excess oil with a cloth.
- Turn on all thermostats, set at 150°F setting. Some discoloration will occur when heat is applied to steel.

- Heat the griddle slowly for 15 to 20 minutes. Then wipe away oil. Repeat the procedure 2 to 3 times until the griddle has a slick, mirror like finish. Do this until you have reached the desired cooking temperature.

Important: Do not attain 450°F during "break-in" period.

Note: Steel griddle surface will tone (blue discoloration) from heat. This toning will not diminish function or operation and is not a defect.

The griddle will not require reseasoning if it is used properly. If the griddle is over heated and product begins to stick to the surface it may be necessary to repeat the seasoning process again. If the griddle is cleaned with soap and water it will be necessary to reseason the griddle surface again.

## Operation of Broiling Section

Heavy Duty Electric Broilers are available in single or double deck model mounted on an oven or storage base. It is also available as a single deck or double deck modular section.

Broiling Compartments has broiler rack in each section riding in a spring counter-balanced raising and lowering mechanism, adjustable to 15 positions. The rack may be raised to with 1/2" of the heating elements. The 24" by 22-5/8" broil rack, with attached drip shield, rolls in and out easily on six roller bearings. A lock stop prevents the rack from accidentally being pulled out of the tracks, yet the rack and drip shield may be readily removed for cleaning. The large porcelain enameled grease pan is removed for cleaning. Baffle spoilers within the pane prevent spillage during removal.

Heating Elements: Two inconel sheathed heating element packages are provided; one service the rear half of the broiling compartment, the other the front half. The element package for the front half of the broiling compartment is controlled by a three position heat heavy duty reversible switch mounted at the bottom of the panel. Each switch adjusts from full OFF to HIGH, MEDIUM and LOW modes. Each broiler section is provided with a pilot indicator lamp mounted in the control panel. When the lamp is lit, it signals that energy is being applied to the elements. Each element package has a maximum rating of 6 k.W. providing a 12 k.W. maximum total for each section

# MAINTENANCE AND CLEANING

We suggest maintenance and repairs to be performed by an Garland Authorized Service Agent. The listing provided with your range is titled "Maintenance and Repair Centers".

**CAUTION:** Remember! Water and electricity do not mix, do not use excessive water, heavily soaked sponges or rags to clean switch panels or areas near electrical connections!

**NOTE:** RUST can form on raw steel and cast iron parts. Be sure parts are dried thoroughly after cleaning. In warm, moist environments, raw parts may require protection. Wipe down with light coating of oil, rust inhibitor, or polish as applicable.

## Painted Finishes

Establish a regular cleaning schedule. Any spills should be wiped off immediately.

The oven should be permitted to cool down before cleaning exterior surfaces.

Wipe exposed, cleanable surface when cool with a mild detergent and hot water. Stubborn residue spots may be removed with a light weight non metallic scouring pad. Dry thoroughly with a clean cloth.

## Stainless Steel

For routine cleaning just wash with a hot water and detergent solution.

Stainless steel should be cleaned using a mild detergent, a soft cloth and hot water. If necessary to use a nonmetallic scouring pad, always rub in the direction of the grain in the metal to prevent scratching. Use a water based stainless cleaner (Drakett Twinkle), if you want a high shine. Wash just a small area at a time or the water will evaporate leaving the chemicals behind causing streaking.

Rinse the washed area with a clean sponge dipped in a sanitizing solution and wipe dry with a soft clean cloth before it can dry.

Use a paste (of water and a mild scouring powder) if you have to, but never rub against the grain. All stainless steel has been polished in one direction. Rub with the polish lines to preserve the original finish. Then thoroughly rinse as before.

To prevent fingerprints there are several stainless steel polishes on the market that leave an oily or waxy film. Do not use on surfaces that will be in contact with food.

Stainless steel may discolor if overheated. These stains can usually be removed by vigorous rubbing with a scouring powder paste.

Use only stainless steel, wood or plastic tools if necessary to scrape off heavy deposits of grease and oil. Do not use ordinary steel scrapers or knives as particles of the iron may become imbedded and rust. **STEEL WOOL SHOULD NEVER BE USED.**

Either a typical bleach solution or hot water can be used to sanitize stainless steel with out harm.

## Oven Inner Door Liner and Oven Deck (Porcelain Enamel)

The porcelain Oven Inner door Liner and Oven Deck can be cleaned with oven cleaners such as "Easy-Off", or "Dow Cleaner". Follow product manufacture's instructions for proper use. **CAUTION:** Do not get any oven cleaner on any painted surface, the oven cleaner will remove the paint! **CAUTION:** Do not get any oven cleaner on Aluminized Steel Inner Surfaces, it will cause the surface to turn a deep blue color and may mar the aluminized surface.

## Interior Cleaning of Standard Aluminized Steel Interior Surfaces.

The oven sides and top linings are formed of heavy gauge steel with an aluminum fused into its surface to provide for the reflectance of heat back to the food being prepared and to virtually eliminate the possibility of rust formation. Establish a regular cleaning schedule or wipe off on the same day when spillovers occur.

1. Cool down oven.
2. Remove oven racks.
3. Lift rack guides on either side of oven off of holders, pull the top away from the cavity wall, when it's cleared the clips push down and remove. Racks and guides may be run through dishwasher while oven cavity is being cleaned.
4. Use a concentrated detergent on a plastic pad to remove burned on soil. Do Not Use Steel Wool, Oven Cleaner Or Abrasive Powders. These will remove the aluminum. Rinse with warm water on a soft cloth. Be sure to remove all traces of detergent. Any discoloration which may remain after the soil build-up has been removed will not affect the performance of the oven.
5. To reinstall reverse procedure. Place the bottom of the rack guide against the cavity wall. Keeping the top pulled away from the wall lift up. Push the top of the rack guide against the wall and push down locking it into place.

# MAINTENANCE AND CLEANING continued

## Cleaning and Care of Top Surface Heating Burners

Surface units may be raised to permit removal of spillover bowls under the surface burners. Spillover bowls may be cleaned, wiped dry and replaced. Drip trays under the front control panel may also be removed, washed, rinsed, wiped dry and replaced. Cooking top may be wiped with a damp cloth using a mild detergent and warm water. You may also follow previous instructions for "cleaning Stainless Steel Exterior."

## Cleaning of Griddle, All Purpose Plates and Boil Plates

To produce evenly cooked, perfectly browned griddle products, keep griddle free from carbonized grease. Carbonized grease on the surface hinders the transfer of heat from the griddle surface to food product. This results in uneven browning and loss of cooking efficiency, and worst of all, carbonized grease tends to cling to the griddle foods, giving them a highly unsatisfactory and unappetizing appearance. To keep the griddle clean and operating at peak performance, follow these simple instructions.

- A. **After Each** Use clean griddle thoroughly with a grill scraper or spatula. Wipe off any excess debris left from cooking process.
- B. **Once A Day** clean griddle surface with a grill brick and grill pad. Remove grease container and clean thoroughly, in same manner as any ordinary cooking utensil.

- C. **Once A Week** clean griddle surface thoroughly. If necessary, use a grill stone or grill pad over the griddle surface. Rub with grain of the metal while still warm. A detergent may be used on the plate surface to help clean it, but care must be taken to be sure it is thoroughly removed. After removal of detergent, the surface of the plate should be covered with a thin film of oil to prevent rusting. To remove discolorations, use a non-abrasive cleaner. Before re-using the griddle must be reseasoned. Keep griddle drain tube to grease container clear at all times on those models without side grease container.

**CAUTION:** This griddle plate is steel, but the surface is relatively soft and can be scored or dented by careless use of spatula. Be careful not to dent, scratch, or gouge the plate surface. This will cause food to stick in those areas. Also, note since this is a steel griddle if a light coating of oil is not always present rust will develop on unexposed areas.

## Broiler Section

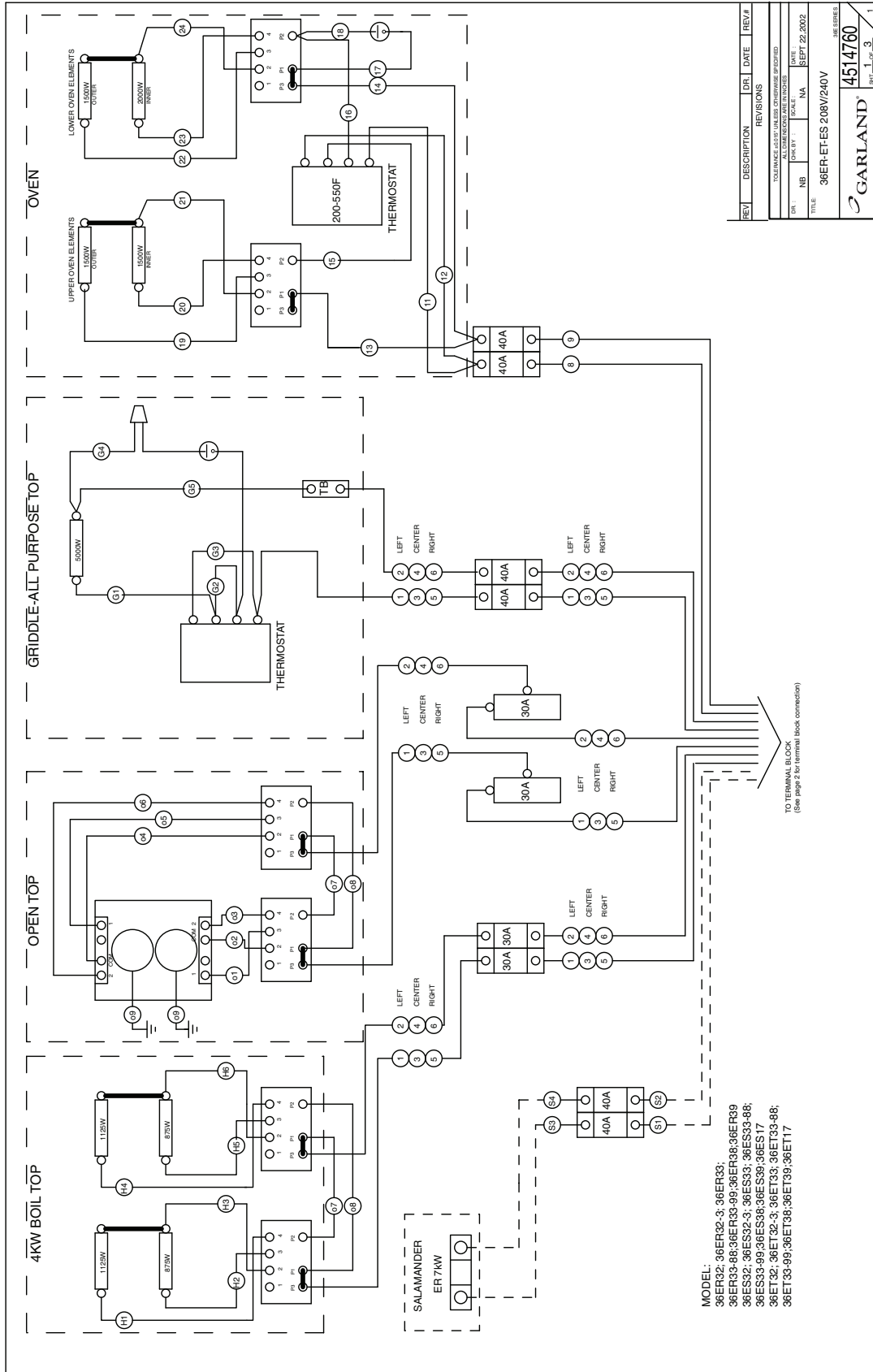
Broil rack, rack carriage and drip pan may be removed for cleaning.

Lift broil rack out of carriage. Pull rack carriage forward to rack stops and raise. Carriage may now be pulled out of tracks. Raise and pull grease pan forward and out. Entire interior of broiler may now be cleaned. After washing and drying, reassemble parts by reversing previous steps.

After cleaning Boil Plates, All Purpose Plates, Griddles, Tubular Heating Units, Ovens and Broilers, wash front and back grease troughs and drip trays with hot, mild detergent or soap solution and dry thoroughly.



# WIRING DIAGRAMS



REV.	DESCRIPTION	DR.	DATE	REV.#
1				

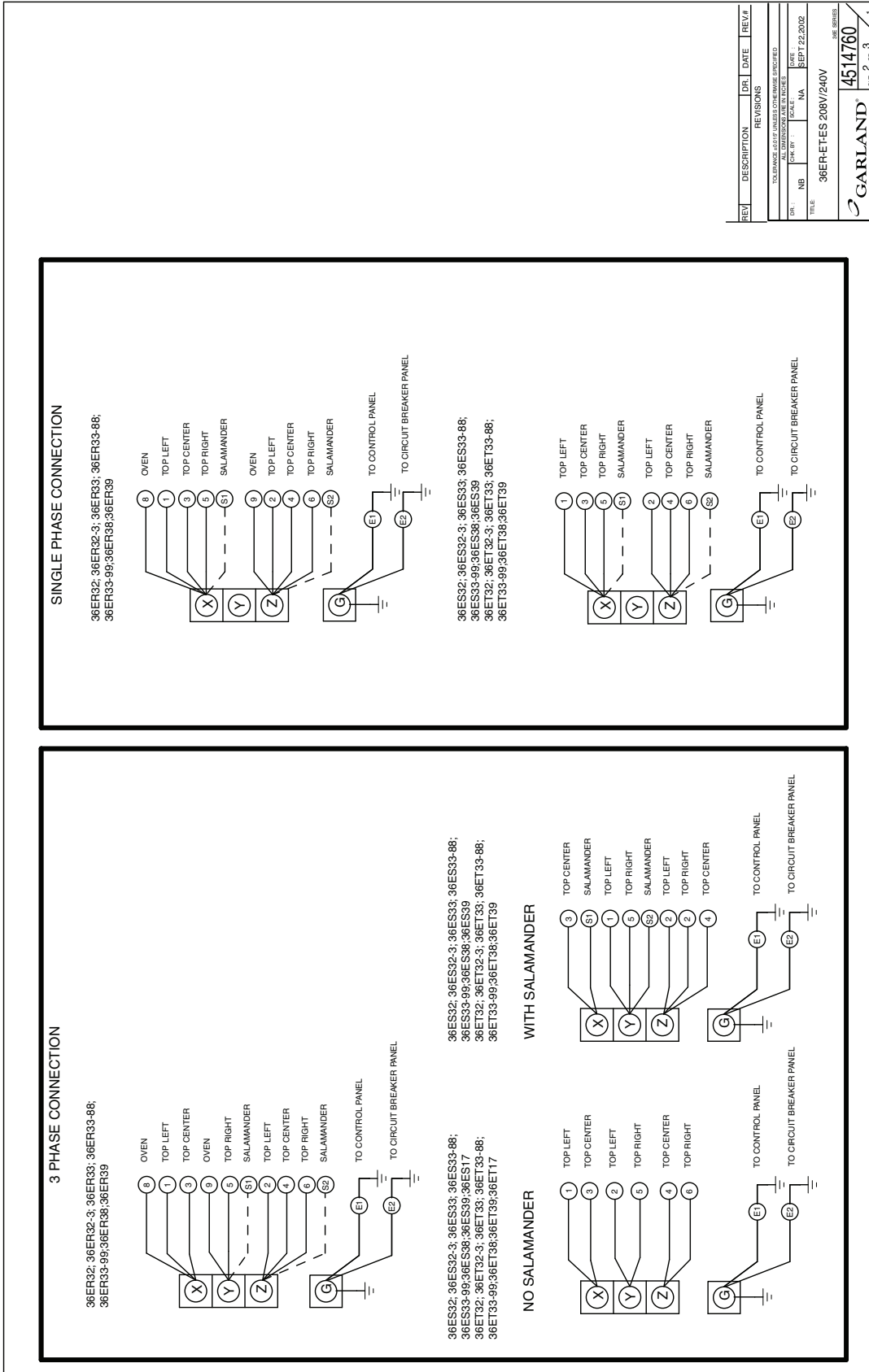
REVISIONS	
TOLERANCE UNLESS OTHERWISE SPECIFIED	
DR. 1	DATE
NA	SEPT 22 2002
SCALE	NA
DR. 1	DATE
NA	SEPT 22 2002
SCALE	NA
DR. 1	DATE
NA	SEPT 22 2002
SCALE	NA

TITLE	36ER-ET-ES 208V/240V
DR. 1	DATE
NA	SEPT 22 2002
SCALE	NA
DR. 1	DATE
NA	SEPT 22 2002
SCALE	NA
DR. 1	DATE
NA	SEPT 22 2002
SCALE	NA


  

4514760
3
1

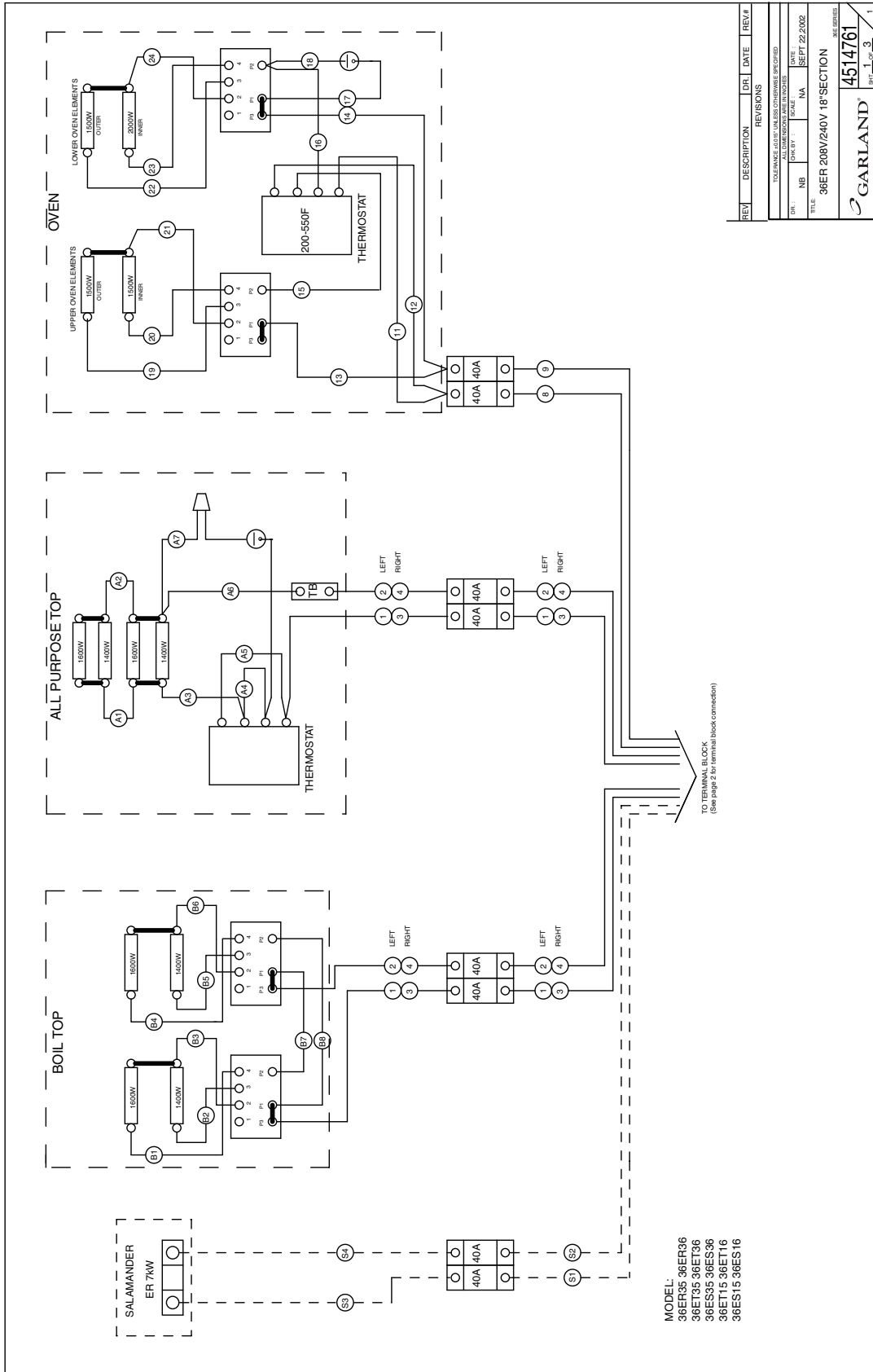


# WIRING DIAGRAMS continued

MODEL	VOLTAGE	TOTAL KW	LOADING PER PHASE			AMPERAGE			
			X-Y	X-Z	Y-Z	1 Phase	X	Y	Z
36 ER 32	208	21.5	6.5	10	5	103.4	69.2	48.0	63.6
36 ER 32 SAL	240	28.5	6.5	10	12	137.0	69.2	60.0	81.7
36 ER 32-3 SAL	240	27.7	6.5	10	11.2	118.8	60.0	67.7	79.5
MODEL	VOLTAGE	TOTAL KW	LOADING PER PHASE			AMPERAGE			
MODEL	VOLTAGE	TOTAL KW	X-Y	X-Z	Y-Z	1 Phase	X	Y	Z
36 ER 32-3	208	20.7	6.5	10	4.2	99.5	69.2	44.9	60.7
36 ER 32-3 SAL	240	27.7	6.5	10	11.2	133.2	69.2	74.6	88.3
36 ER 32-3 SAL	240	27.7	6.5	10	11.2	115.4	60.0	64.6	76.5
MODEL	VOLTAGE	TOTAL KW	LOADING PER PHASE			AMPERAGE			
MODEL	VOLTAGE	TOTAL KW	X-Y	X-Z	Y-Z	1 Phase	X	Y	Z
36 ER 33	208	19.1	6.5	8.4	4.2	79.6	53.9	38.9	56.3
36 ER 33 SAL	240	26.1	6.5	8.4	11.2	125.5	62.2	74.6	81.9
36 ER 33 SAL	240	26.1	6.5	8.4	11.2	108.8	53.9	64.6	71.0
MODEL	VOLTAGE	TOTAL KW	LOADING PER PHASE			AMPERAGE			
MODEL	VOLTAGE	TOTAL KW	X-Y	X-Z	Y-Z	1 Phase	X	Y	Z
36 ER 33-88	208	20.7	6.5	10	4.2	92.5	69.2	44.9	60.7
36 ER 33-88 SAL	240	27.7	6.5	10	11.2	133.2	69.2	74.6	88.3
36 ER 33-88 SAL	240	27.7	6.5	10	11.2	115.4	60.0	64.6	76.5
MODEL	VOLTAGE	TOTAL KW	LOADING PER PHASE			AMPERAGE			
MODEL	VOLTAGE	TOTAL KW	X-Y	X-Z	Y-Z	1 Phase	X	Y	Z
36 ER 33-99	208	18.7	6.5	8	4.2	89.9	60.5	44.9	51.6
36 ER 33-99 SAL	240	25.7	6.5	8	11.2	123.6	60.5	74.6	80.3
36 ER 33-99 SAL	240	25.7	6.5	8	11.2	107.1	52.4	64.6	69.6
MODEL	VOLTAGE	TOTAL KW	LOADING PER PHASE			AMPERAGE			
MODEL	VOLTAGE	TOTAL KW	X-Y	X-Z	Y-Z	1 Phase	X	Y	Z
36 ER 38	208	21.5	6.5	10	5	103.4	69.2	48.0	63.6
36 ER 38 SAL	240	28.5	6.5	10	12	137.0	69.2	60.0	81.7
36 ER 38 SAL	240	28.5	6.5	10	12	118.8	60.0	67.7	79.5
MODEL	VOLTAGE	TOTAL KW	LOADING PER PHASE			AMPERAGE			
MODEL	VOLTAGE	TOTAL KW	X-Y	X-Z	Y-Z	1 Phase	X	Y	Z
36 ER 39	208	18.5	6.5	8	4	89.9	60.5	44.1	50.9
36 ER 39 SAL	240	25.5	6.5	8	11	122.6	60.5	73.7	79.4
36 ER 39 SAL	240	25.5	6.5	8	11	106.3	52.4	63.8	68.8
MODEL	VOLTAGE	TOTAL KW	LOADING PER PHASE			AMPERAGE			
MODEL	VOLTAGE	TOTAL KW	X-Y	X-Z	Y-Z	1 Phase	X	Y	Z
36 ET 17	208	10	5	5	0	48.1	41.6	24.0	24.0
36 ET 17	240	10	5	5	0	41.7	36.1	20.8	20.8
MODEL	VOLTAGE	TOTAL KW	LOADING PER PHASE			AMPERAGE			
MODEL	VOLTAGE	TOTAL KW	X-Y	X-Z	Y-Z	1 Phase	X	Y	Z
36 ES 32	208	15	5	5	5	72.1	41.6	41.6	41.6
36 ET 32	240	15	5	5	5	62.5	36.1	36.1	36.1
36 ES 32 SAL	208	22	7	5	10	105.8	50.2	71.1	63.6
36 ET 32 SAL	240	22	7	5	10	91.7	43.5	61.7	55.1
MODEL	VOLTAGE	TOTAL KW	LOADING PER PHASE			AMPERAGE			
MODEL	VOLTAGE	TOTAL KW	X-Y	X-Z	Y-Z	1 Phase	X	Y	Z
36 ES 32-3	208	14.2	5	5	4.2	68.3	41.6	38.4	38.4
36 ET 32-3	240	14.2	5	5	4.2	59.2	36.1	33.2	33.2
36 ES 32-3 SAL	208	21.2	7	5	9.2	101.9	50.2	67.7	60.0
36 ET 32-3 SAL	240	21.2	7	5	9.2	88.3	43.5	56.6	52.0
MODEL	VOLTAGE	TOTAL KW	LOADING PER PHASE			AMPERAGE			
MODEL	VOLTAGE	TOTAL KW	X-Y	X-Z	Y-Z	1 Phase	X	Y	Z
36 ES 33	208	12.6	4.2	4.2	4.2	60.6	35.0	35.0	35.0
36 ET 33	240	12.6	4.2	4.2	4.2	52.5	30.3	30.3	30.3
36 ES 33 SAL	208	19.6	7	4.2	8.4	94.2	47.1	64.2	53.4
36 ET 33 SAL	240	19.6	7	4.2	8.4	81.7	40.8	55.6	46.3
MODEL	VOLTAGE	TOTAL KW	LOADING PER PHASE			AMPERAGE			
MODEL	VOLTAGE	TOTAL KW	X-Y	X-Z	Y-Z	1 Phase	X	Y	Z
36 ES 33-88	208	14.2	5	5	4.2	68.3	41.6	38.4	38.4
36 ET 33-88	240	14.2	5	5	4.2	59.2	36.1	33.2	33.2
36 ES 33-88 SAL	208	20.4	7	4.2	9.2	98.1	47.1	67.7	57.1
36 ET 33-88 SAL	240	20.4	7	4.2	9.2	85.0	40.8	58.6	49.5
MODEL	VOLTAGE	TOTAL KW	LOADING PER PHASE			AMPERAGE			
MODEL	VOLTAGE	TOTAL KW	X-Y	X-Z	Y-Z	1 Phase	X	Y	Z
36 ES 33-99	208	12.2	4	4	4.2	58.7	33.3	34.1	34.1
36 ET 33-99	240	12.2	4	4	4.2	50.8	28.9	29.6	29.6
36 ES 33-99 SAL	208	19.2	7	4	8.2	92.3	46.4	63.4	51.8
36 ET 33-99 SAL	240	19.2	7	4	8.2	80.0	40.2	54.9	44.9
MODEL	VOLTAGE	TOTAL KW	LOADING PER PHASE			AMPERAGE			
MODEL	VOLTAGE	TOTAL KW	X-Y	X-Z	Y-Z	1 Phase	X	Y	Z
36 ES 38	208	15	5	5	5	72.1	41.6	41.6	41.6
36 ET 38	240	15	5	5	5	62.5	36.1	36.1	36.1
36 ES 38 SAL	208	22	7	5	10	105.8	50.2	71.1	63.6
36 ET 38 SAL	240	22	7	5	10	91.7	43.5	61.7	55.1
MODEL	VOLTAGE	TOTAL KW	LOADING PER PHASE			AMPERAGE			
MODEL	VOLTAGE	TOTAL KW	X-Y	X-Z	Y-Z	1 Phase	X	Y	Z
36 ES 39	208	12	4	4	4	57.7	33.3	33.3	33.3
36 ET 39	240	12	4	4	4	50.0	28.9	28.9	28.9
36 ES 39 SAL	208	19	7	4	8	91.3	46.4	62.5	50.9
36 ET 39 SAL	240	19	7	4	8	40.2	79.2	54.2	44.1

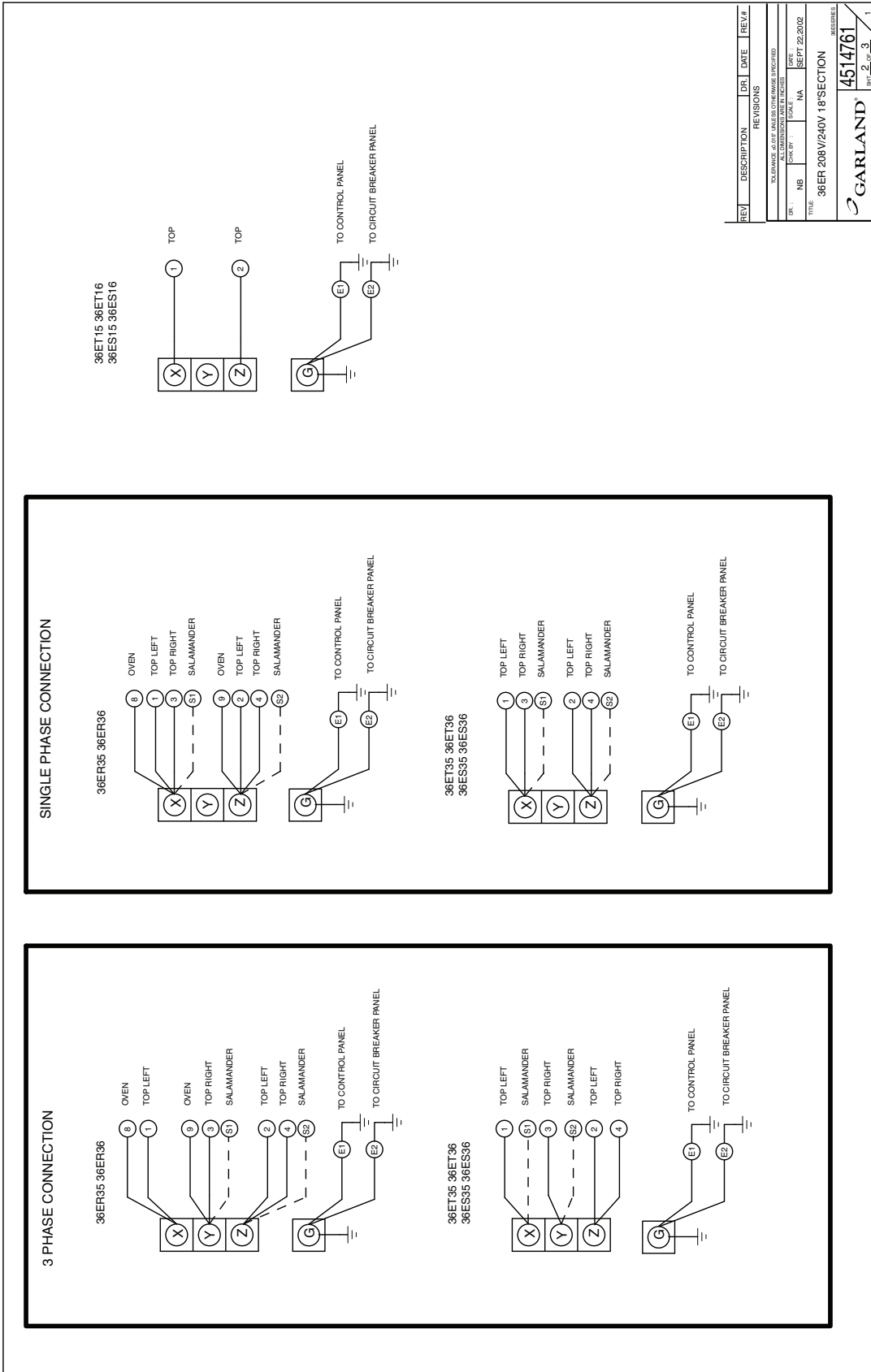
REV#	DESCRIPTION	DR#	DATE	REV#
REVISIONS				
YOUR FILE MUST ALWAYS BE OPENED				
ALL DIMENSIONS ARE FINANCES				
DR#	CHK BY	SCALE	DATE	
		NA	SEPT 22 2002	
TITLE	36ER-ETES 208V/240V			
				SHEET NO. <b>4514760</b> OF <b>3</b>

# WIRING DIAGRAMS continued



REV.	DESCRIPTION	DR.	DATE	REV.
1	REVISIONS			
TOLERANCE AND FINISH UNLESS OTHERWISE SPECIFIED				
DR.	CHK'D BY	SCALE	DATE	
NB	NA		SEPT 22 2002	
TITLE: 36ER 208V/240V 18" SECTION				
GARLAND				4514761
				REV. 1 OF 3

# WIRING DIAGRAMS continued



REV	DESCRIPTION	DR	DATE	REV.F
REVISIONS				
MATERIALS LISTED ARE SUBJECT TO CHANGE WITHOUT NOTICE				
ALL DIMENSIONS ARE IN INCHES				
DR	NA	NA	SEPT 22, 2002	
TITLE	36ER 208V/240V 18" SECTION			
GARLAND®				4514761
				PRT. 2 OF 3
				1

# WIRING DIAGRAMS continued

MODEL	VOLTAGE	TOTAL KW	LOADING PER PHASE			AMPERAGE			
			X-Y	X-Z	Y-Z	1 Phase	X	Y	Z
36 ER 35	208	18.5	6.5	6	6	88.9	52.1	52.1	50.0
	240	18.5	6.5	6	6	77.1	45.1	45.1	43.3
36 ER 35 SAL	208	25.5	6.5	6	13	122.6	52.1	82.7	80.9
	240	25.5	6.5	6	13	106.3	45.1	71.7	70.1

MODEL	VOLTAGE	TOTAL KW	LOADING PER PHASE			AMPERAGE			
			X-Y	X-Z	Y-Z	1 Phase	X	Y	Z
36 ER 36	208	18.5	6.5	6	6	88.9	52.1	52.1	50.0
	240	18.5	6.5	6	6	77.1	45.1	45.1	43.3
36 ER 36 SAL	208	25.5	6.5	6	13	122.6	52.1	82.7	80.9
	240	25.5	6.5	6	13	106.3	45.1	71.7	70.1

MODEL	VOLTAGE	TOTAL KW	LOADING PER PHASE			AMPERAGE			
			X-Y	X-Z	Y-Z	1 Phase	X	Y	Z
36 ES 35	208	12	0	6	6	57.7	28.8	28.8	50.0
	240	12	0	6	6	50.0	25.0	25.0	43.3
36 ES 35 SAL	208	19	7	6	6	91.3	54.2	54.2	50.0
	240	19	7	6	6	79.2	47.0	47.0	43.3

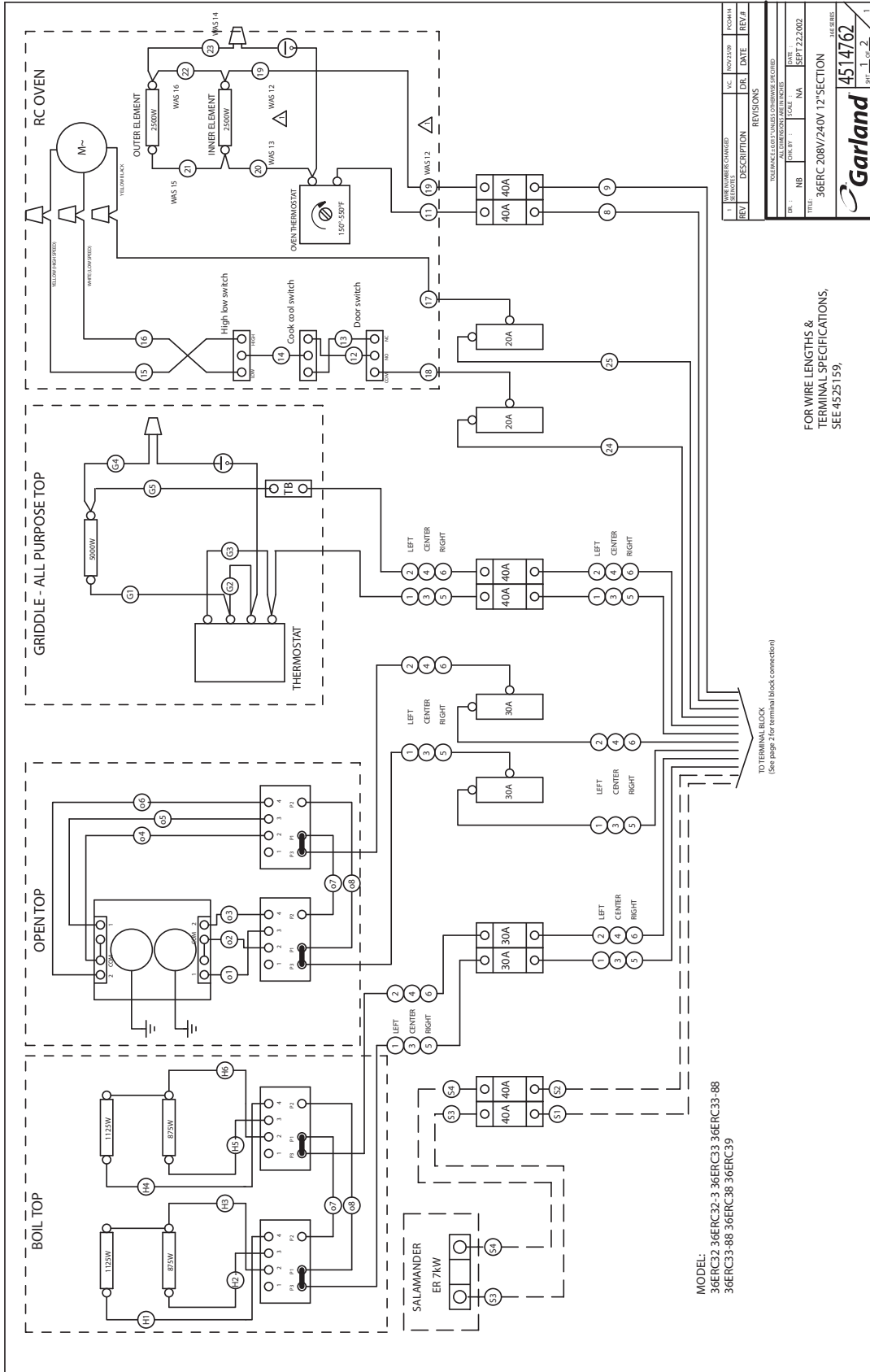
MODEL	VOLTAGE	TOTAL KW	LOADING PER PHASE			AMPERAGE			
			X-Y	X-Z	Y-Z	1 Phase	X	Y	Z
36 ES 36	208	12	0	6	6	57.7	28.8	28.8	50.0
	240	12	0	6	6	50.0	25.0	25.0	43.3
36 ES 36 SAL	208	19	7	6	6	91.3	54.2	54.2	50.0
	240	19	7	6	6	79.2	47.0	47.0	43.3

MODEL	VOLTAGE	TOTAL KW	LOADING PER PHASE			AMPERAGE			
			X-Y	X-Z	Y-Z	1 Phase	X	Y	Z
36ET16	208	6	0	6	0	28.8	0.0	28.8	
	240	6	0	6	0	25.0	0.0	25.0	

MODEL	VOLTAGE	TOTAL KW	LOADING PER PHASE			AMPERAGE			
			X-Y	X-Z	Y-Z	1 Phase	X	Y	Z
36ET15	208	6	0	6	0	28.8	0.0	28.8	
	240	6	0	6	0	25.0	0.0	25.0	

REV	DESCRIPTION	DR	DATE	REV
REVISIONS				
TOLERANCE UNLESS OTHERWISE SPECIFIED				
DIMENSIONS UNLESS OTHERWISE SPECIFIED				
DR	DATE	SCALE	DATE	
NA	NA	NA	SEPT 22 2002	
TITLE				REV
36ER 208V/240V 18" SECTION				4514761
GARLAND				PRT. 3 OF 3

# WIRING DIAGRAMS continued



MODEL:  
 36ERC32 36ERC33 36ERC38 36ERC39  
 36ERC33-88 36ERC38 36ERC39

REV#	DESCRIPTION	DR.	DATE	REV#
1	REVISED TO REFLECT CHANGES			

REV#	DESCRIPTION	DR.	DATE	REV#
1	REVISED TO REFLECT CHANGES			

REV#	DESCRIPTION	DR.	DATE	REV#
1	REVISED TO REFLECT CHANGES			

FOR WIRE LENGTHS &  
 TERMINAL SPECIFICATIONS,  
 SEE 4525159.

REV#	DESCRIPTION	DR.	DATE	REV#
1	REVISED TO REFLECT CHANGES			

**Garland**  
 4514762  
 PART 1 OF 2

### 3 PHASE CONNECTION

36ERC32 36ERC32-3 36ERC33 36ERC33-88  
36ERC33-88 36ERC38 36ERC39

### SINGLE PHASE CONNECTION

36ERC32 36ERC32-3 36ERC33 36ERC33-88  
36ERC33-88 36ERC38 36ERC39

MODEL	VOLTAGE	TOTAL KW	LOADING PER PHASE			AMPERAGE		
			X-Y	X-Z	Y-Z	1 Phase	X	Y
36 ERC 32	208	20.4	5.4	10	5	65.1	43.3	63.6
	240	20.4	5.4	10	5	85.0	37.5	55.1
	208	27.4	5.4	10	12	131.7	65.1	91.7
36 ERC 32 SAL	240	27.4	5.4	10	12	114.2	56.4	79.5

MODEL	VOLTAGE	TOTAL KW	LOADING PER PHASE			AMPERAGE		
			X-Y	X-Z	Y-Z	1 Phase	X	Y
36 ERC 32-3	208	19.6	5.4	10	4.2	94.2	65.1	40.1
	240	19.6	5.4	10	4.2	81.7	56.4	34.7
	208	26.6	5.4	10	11.2	127.9	65.1	70.5
36 ERC 32-3 SAL	240	26.6	5.4	10	11.2	110.8	56.4	61.1

MODEL	VOLTAGE	TOTAL KW	LOADING PER PHASE			AMPERAGE		
			X-Y	X-Z	Y-Z	1 Phase	X	Y
36 ERC 33	208	18	5.4	8.4	4.2	86.5	57.9	40.1
	240	18	5.4	8.4	4.2	75.0	50.2	34.7
	208	25	5.4	8.4	11.2	120.2	57.9	70.5
36 ERC 33 SAL	240	25	5.4	8.4	11.2	104.2	50.2	61.1

MODEL	VOLTAGE	TOTAL KW	LOADING PER PHASE			AMPERAGE		
			X-Y	X-Z	Y-Z	1 Phase	X	Y
36 ERC 33-88	208	19.6	5.4	10	4.2	94.2	65.1	40.1
	240	19.6	5.4	10	4.2	81.7	56.4	34.7
	208	26.6	5.4	10	11.2	127.9	65.1	70.5
36 ERC 33-88 SAL	240	26.6	5.4	10	11.2	110.8	56.4	61.1

MODEL	VOLTAGE	TOTAL KW	LOADING PER PHASE			AMPERAGE		
			X-Y	X-Z	Y-Z	1 Phase	X	Y
36 ERC 33-99	208	17.6	5.4	8	4.2	84.6	56.1	40.1
	240	17.6	5.4	8	4.2	73.3	48.7	34.7
	208	24.6	5.4	8	11.2	118.3	56.1	70.5
36 ERC 33-99 SAL	240	24.6	5.4	8	11.2	102.5	48.7	61.1

MODEL	VOLTAGE	TOTAL KW	LOADING PER PHASE			AMPERAGE		
			X-Y	X-Z	Y-Z	1 Phase	X	Y
36 ERC 38	208	20.4	5.4	10	5	98.1	65.1	43.3
	240	20.4	5.4	10	5	85.0	56.4	37.5
	208	27.4	5.4	10	12	131.7	65.1	91.7
36 ERC 38 SAL	240	27.4	5.4	10	12	114.2	56.4	79.5

MODEL	VOLTAGE	TOTAL KW	LOADING PER PHASE			AMPERAGE		
			X-Y	X-Z	Y-Z	1 Phase	X	Y
36 ERC 39	208	17.4	5.4	8	4	83.7	56.1	39.3
	240	17.4	5.4	8	4	72.5	48.7	34.0
	208	24.4	5.4	8	11	117.3	56.1	69.6
36 ERC 39 SAL	240	24.4	5.4	8	11	101.7	48.7	60.3

REV#	DESCRIPTION	DATE	BY	CHKD	REV#
1	ISSUE NUMBER CHANGE	10/13/00	POW/44		

REVISIONS	
NO.	DESCRIPTION
1	ISSUE NUMBER CHANGE

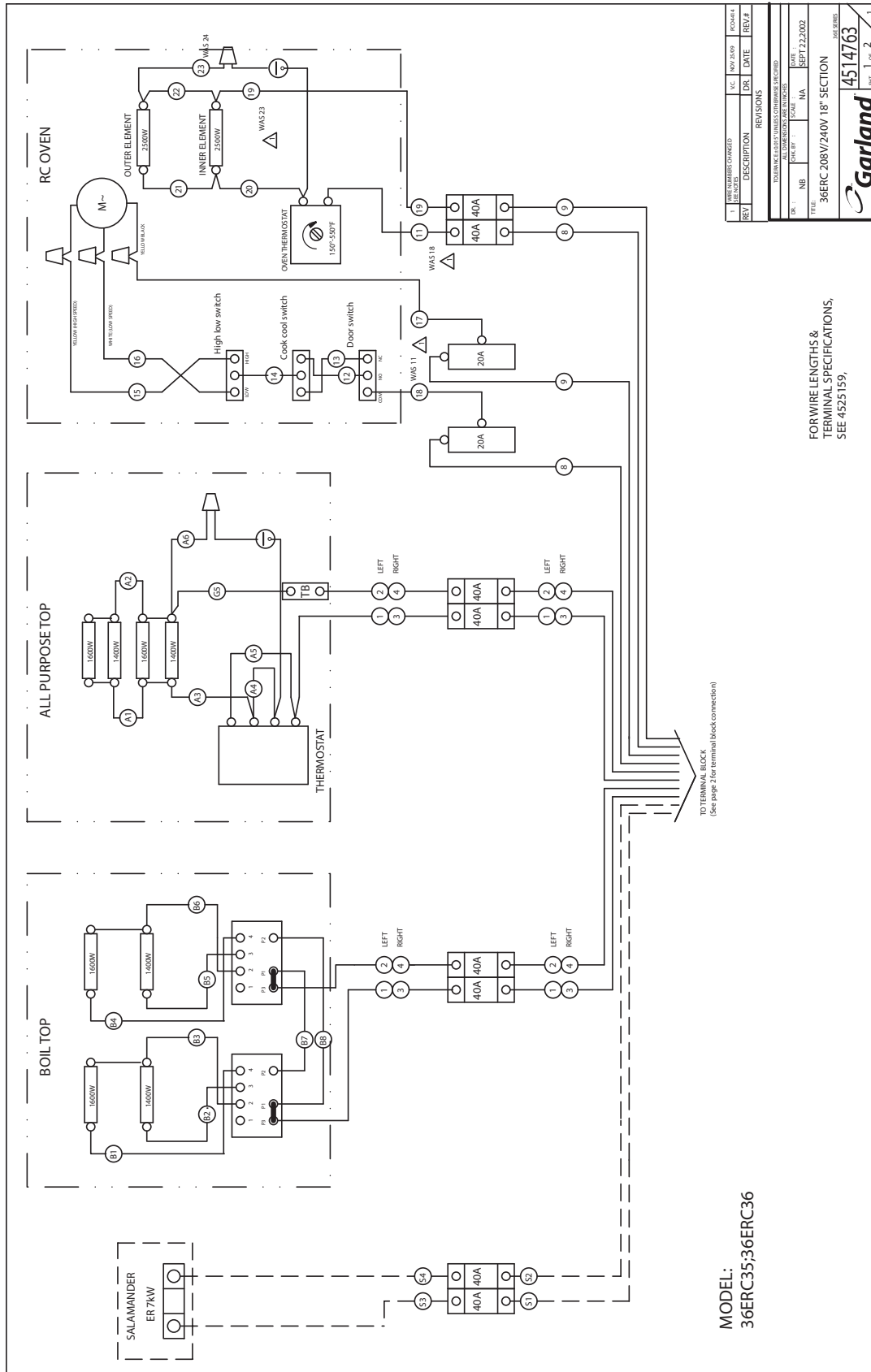
NO.	REV#	DATE	BY	CHKD
1	NA	SEPT 22, 2002		

TITLE	
36ERC 208V/240V 12" SECTION	4514762

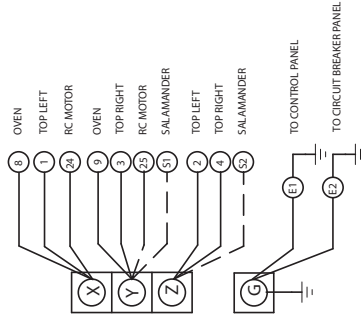


# WIRING DIAGRAMS continued



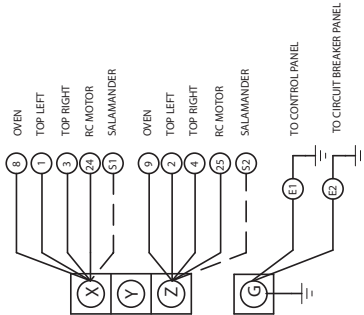
3 PHASE CONNECTION

36ERC35:36ERC36



SINGLE PHASE CONNECTION

36ERC35:36ERC36



MODEL	VOLTAGE	TOTAL KW	LOADING PER PHASE			AMPERAGE			
			X-Y	X-Z	Y-Z	1 Phase	X	Y	Z
36 ERC 35	208	17.4	5.4	6	6	83.7	47.5	47.5	50.0
	240	17.4	5.4	6	6	72.5	41.2	41.2	43.3
36 ERC 35 SAL	208	24.4	5.4	6	13	117.3	47.5	78.8	80.9
	240	24.4	5.4	6	13	101.7	41.2	68.3	70.1

MODEL	VOLTAGE	TOTAL KW	LOADING PER PHASE			AMPERAGE			
			X-Y	X-Z	Y-Z	1 Phase	X	Y	Z
36 ERC 36	208	17.4	5.4	6	6	83.7	47.5	47.5	50.0
	240	17.4	5.4	6	6	72.5	41.2	41.2	43.3
36 ERC 36 SAL	208	24.4	5.4	6	13	117.3	47.5	78.8	80.9
	240	24.4	5.4	6	13	101.7	41.2	68.3	70.1

REV	DESCRIPTION	DATE	DR.	NO. OF CHANGES	FORM #

REVISIONS	

DATE	SCALE	NO.
SEPT 22, 2002	NA	

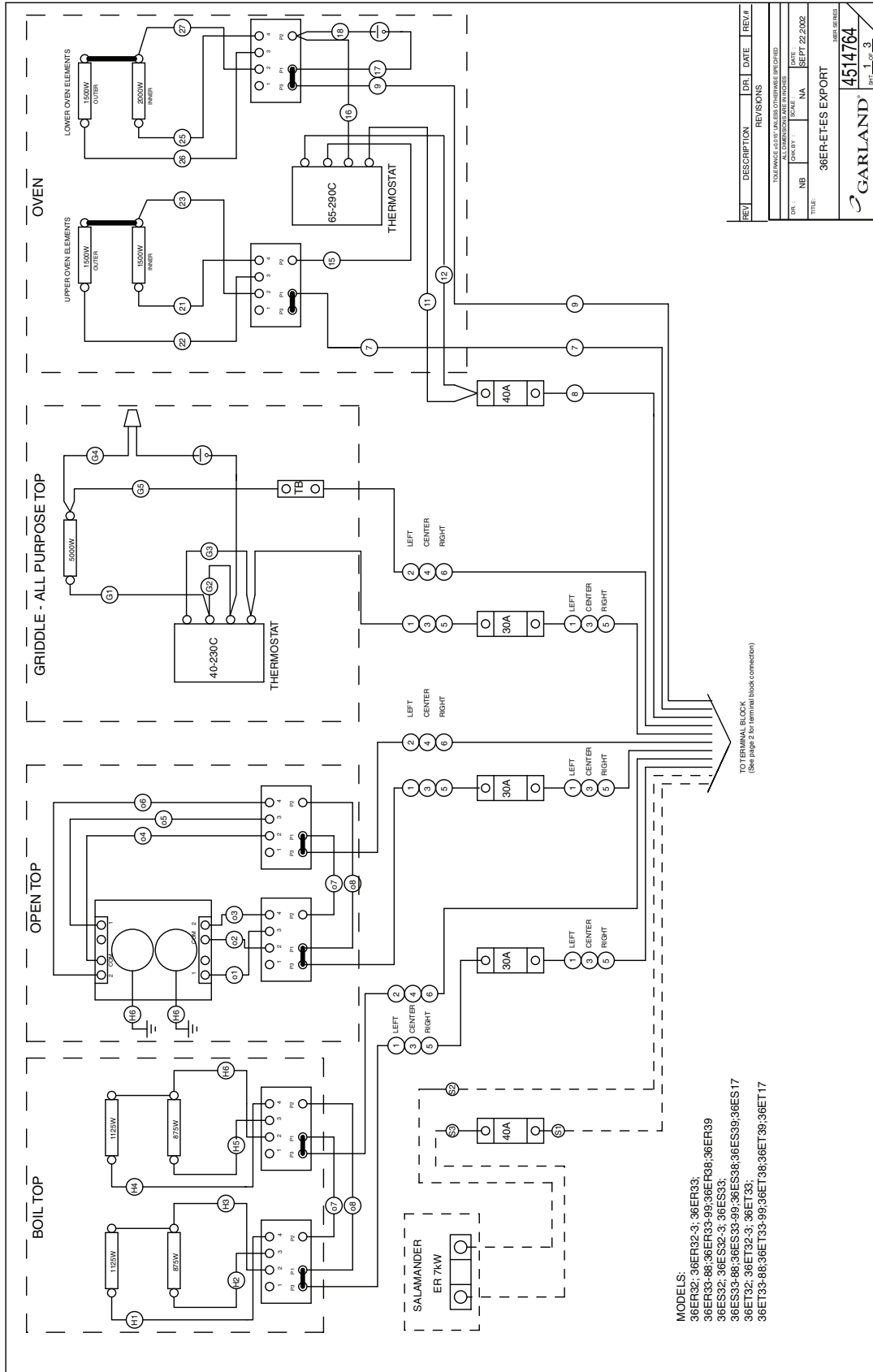
  

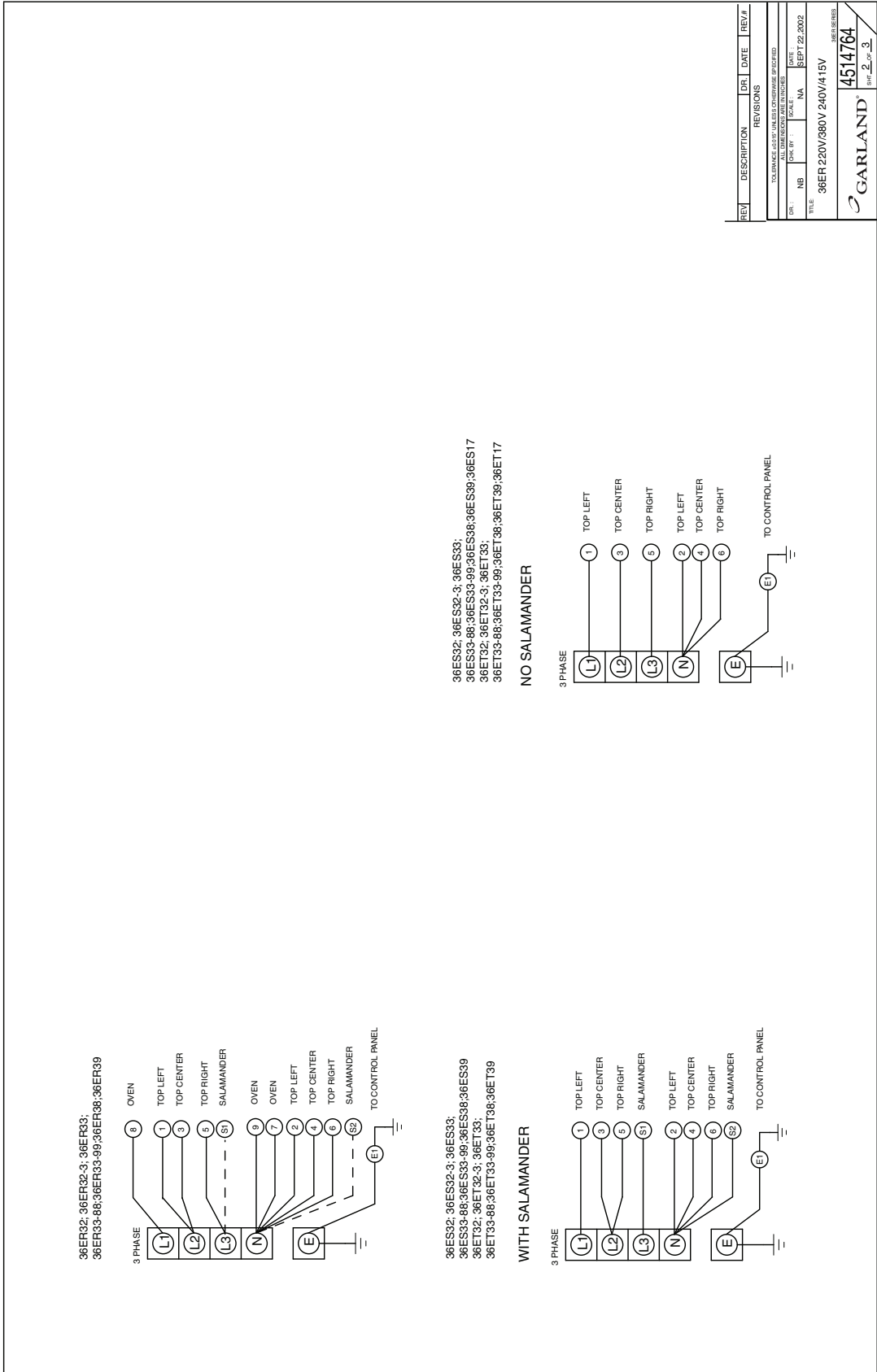
TITLE	36ERC 208V/240V 18" SECTION
-------	-----------------------------

4514763	REV. SERIES
1	2 OF 2

# WIRING DIAGRAMS continued





REV	DESCRIPTION	DR	DATE	REV #

TOLERANCES UNLESS OTHERWISE SPECIFIED	
DR	DATE
NA	SEPT 22 2002

TITLE	
NO	SCALE
36ER220V/880V 240V/415V	NA

<b>GARLAND</b>	<b>4514764</b>
	REV. SERIES
	REV. 2 OF 3

# WIRING DIAGRAMS continued

MODEL	VOLTAGE	TOTAL KW	LOADING PER PHASE			AMPERAGE	L1	L2	L3
			L1-N	L2-N	L3-N				
36 ET 32	415V 3N~	15.00	5.00	5.00	5.00	1 Phase	17.5	17.5	17.5
	400V 3N~	13.78	4.59	4.59	4.59	1 Phase	16.8	16.8	16.8
	380V 3N~	12.60	4.20	4.20	4.20	1 Phase	16.0	16.0	16.0
36 ET 32 SAL	415V 3N~	22.00	7.33	7.33	7.33	1 Phase	29.2	29.2	29.2
	400V 3N~	20.20	6.73	6.73	6.73	1 Phase	28.0	28.0	28.0
	380V 3N~	18.49	6.16	6.16	6.16	1 Phase	26.7	26.7	26.7
MODEL	VOLTAGE	TOTAL KW	LOADING PER PHASE			AMPERAGE	L1	L2	L3
			L1-N	L2-N	L3-N				
36 ET 32-3	415V 3N~	14.20	4.73	4.73	4.73	1 Phase	17.5	17.5	17.5
	400V 3N~	13.04	4.35	4.35	4.35	1 Phase	16.8	16.8	16.8
	380V 3N~	11.93	3.98	3.98	3.98	1 Phase	16.0	16.0	16.0
36 ET 32-3 SAL	415V 3N~	19.60	6.53	6.53	6.53	1 Phase	26.7	26.7	26.7
	400V 3N~	18.00	6.00	6.00	6.00	1 Phase	25.0	25.0	25.0
	380V 3N~	16.47	5.50	5.50	5.50	1 Phase	23.8	23.8	23.8
MODEL	VOLTAGE	TOTAL KW	LOADING PER PHASE			AMPERAGE	L1	L2	L3
			L1-N	L2-N	L3-N				
36 ET 33	415V 3N~	12.60	4.20	4.20	4.20	1 Phase	17.5	17.5	17.5
	400V 3N~	11.57	3.86	3.86	3.86	1 Phase	16.8	16.8	16.8
	380V 3N~	10.59	3.53	3.53	3.53	1 Phase	16.0	16.0	16.0
36 ET 33 SAL	415V 3N~	19.60	6.53	6.53	6.53	1 Phase	26.7	26.7	26.7
	400V 3N~	18.00	6.00	6.00	6.00	1 Phase	25.0	25.0	25.0
	380V 3N~	16.47	5.50	5.50	5.50	1 Phase	23.8	23.8	23.8
MODEL	VOLTAGE	TOTAL KW	LOADING PER PHASE			AMPERAGE	L1	L2	L3
			L1-N	L2-N	L3-N				
36 ET 33-88	415V 3N~	14.20	4.73	4.73	4.73	1 Phase	17.5	17.5	17.5
	400V 3N~	13.04	4.35	4.35	4.35	1 Phase	16.8	16.8	16.8
	380V 3N~	11.93	3.98	3.98	3.98	1 Phase	16.0	16.0	16.0
36 ET 33-88 SAL	415V 3N~	21.20	7.07	7.07	7.07	1 Phase	29.2	29.2	29.2
	400V 3N~	19.47	6.48	6.48	6.48	1 Phase	28.0	28.0	28.0
	380V 3N~	17.81	5.94	5.94	5.94	1 Phase	26.7	26.7	26.7
MODEL	VOLTAGE	TOTAL KW	LOADING PER PHASE			AMPERAGE	L1	L2	L3
			L1-N	L2-N	L3-N				
36 ET 33-99	415V 3N~	14.20	4.73	4.73	4.73	1 Phase	17.5	17.5	17.5
	400V 3N~	13.04	4.35	4.35	4.35	1 Phase	16.8	16.8	16.8
	380V 3N~	11.93	3.98	3.98	3.98	1 Phase	16.0	16.0	16.0
36 ET 33-99 SAL	415V 3N~	21.20	7.07	7.07	7.07	1 Phase	29.2	29.2	29.2
	400V 3N~	19.47	6.48	6.48	6.48	1 Phase	28.0	28.0	28.0
	380V 3N~	17.81	5.94	5.94	5.94	1 Phase	26.7	26.7	26.7
MODEL	VOLTAGE	TOTAL KW	LOADING PER PHASE			AMPERAGE	L1	L2	L3
			L1-N	L2-N	L3-N				
36 ET 38	415V 3N~	15.00	5.00	5.00	5.00	1 Phase	17.5	17.5	17.5
	400V 3N~	13.78	4.59	4.59	4.59	1 Phase	16.8	16.8	16.8
	380V 3N~	12.60	4.20	4.20	4.20	1 Phase	16.0	16.0	16.0
36 ET 38 SAL	415V 3N~	22.00	7.33	7.33	7.33	1 Phase	29.2	29.2	29.2
	400V 3N~	20.20	6.73	6.73	6.73	1 Phase	28.0	28.0	28.0
	380V 3N~	18.49	6.16	6.16	6.16	1 Phase	26.7	26.7	26.7
MODEL	VOLTAGE	TOTAL KW	LOADING PER PHASE			AMPERAGE	L1	L2	L3
			L1-N	L2-N	L3-N				
36 ET 39	415V 3N~	12.00	4.00	4.00	4.00	1 Phase	16.7	16.7	16.7
	400V 3N~	11.02	3.67	3.67	3.67	1 Phase	16.0	16.0	16.0
	380V 3N~	10.08	3.36	3.36	3.36	1 Phase	15.3	15.3	15.3
36 ET 39 SAL	415V 3N~	19.00	6.33	6.33	6.33	1 Phase	25.0	25.0	25.0
	400V 3N~	17.45	5.81	5.81	5.81	1 Phase	23.8	23.8	23.8
	380V 3N~	15.97	5.32	5.32	5.32	1 Phase	22.6	22.6	22.6
MODEL	VOLTAGE	TOTAL KW	LOADING PER PHASE			AMPERAGE	L1	L2	L3
			L1-N	L2-N	L3-N				
36 ET 17	415V 3N~	10.00	3.33	3.33	3.33	1 Phase	12.0	12.0	12.0
	400V 3N~	9.18	3.06	3.06	3.06	1 Phase	11.4	11.4	11.4
	380V 3N~	8.40	2.80	2.80	2.80	1 Phase	11.0	11.0	11.0

REV	DESCRIPTION	DR	DATE	REV#
1	REVISIONS			

SCALE	DATE
1:1	SEPT 22 2002

DR	CHK'D BY	SCALE	DATE
		NA	SEPT 22 2002

TITLE	NO. SHEETS
38ER-ETES EXPORT	45/4764

REV	DESCRIPTION	DR	DATE	REV#
1	REVISIONS			

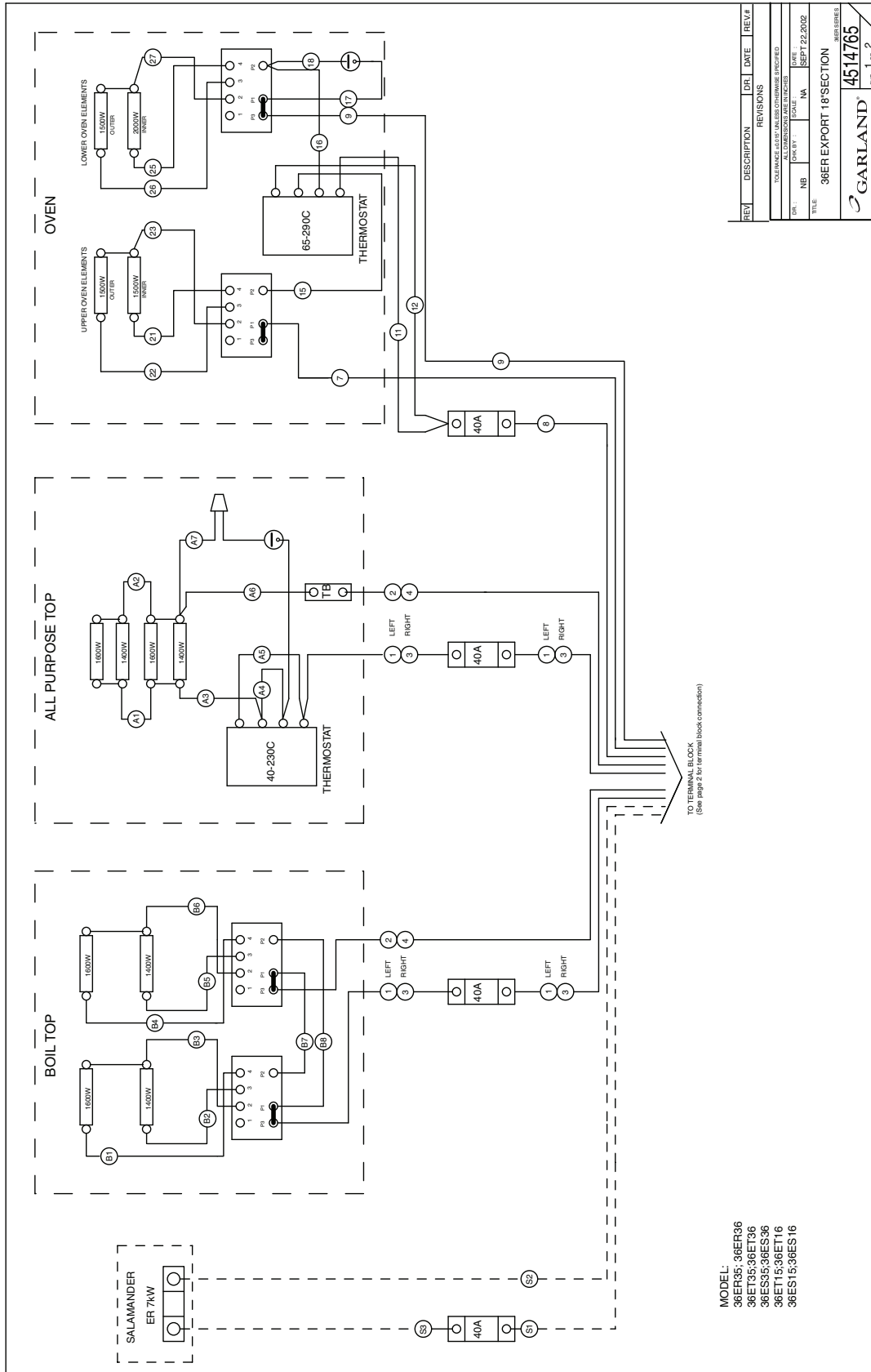
SCALE	DATE
1:1	SEPT 22 2002

DR	CHK'D BY	SCALE	DATE
		NA	SEPT 22 2002

TITLE	NO. SHEETS
38ER-ETES EXPORT	45/4764

REV	DESCRIPTION	DR	DATE	REV#
1	REVISIONS			

# WIRING DIAGRAMS continued



REV.	DESCRIPTION	DR.	DATE	REV.
REVISIONS				
TOLERANCE UNLESS OTHERWISE SPECIFIED				
DIMENSIONS UNLESS OTHERWISE SPECIFIED				
DR.	NA	DATE	REV.	
1	NA	SEPT 22, 2002	1	
TITLE				
38ER EXPORT 18" SECTION				
GARLAND				
4514765				
REV. 1 OF 2				

MODEL:  
 38ER35, 38ER36  
 38ET35, 38ET36  
 38ES35, 38ES36  
 38ET15, 38ET16  
 38ES15, 38ES16

# WIRING DIAGRAMS continued

**36ER35; 36ER36**

36ER35; 36ER36  
36ES35; 36ES36

3 PHASE

OVEN (8)  
TOP LEFT (1)  
TOP RIGHT (2)  
SALAMANDER (3)  
SALAMANDER (4)

TO CONTROL PANEL

**36ET15; 36ET16**

36ET15; 36ET16  
36ES15; 36ES16

3 PHASE

TOP (1)  
TOP (2)

TO CONTROL PANEL

**36ER35; 36ER36**

36ER35; 36ER36  
36ES35; 36ES36

3 PHASE

OVEN (8)  
TOP LEFT (1)  
TOP RIGHT (2)  
SALAMANDER (3)  
SALAMANDER (4)

TO CONTROL PANEL

**36ET15; 36ET16**

36ET15; 36ET16  
36ES15; 36ES16

3 PHASE

TOP LEFT (1)  
TOP RIGHT (2)  
SALAMANDER (3)  
TOP LEFT (4)  
TOP RIGHT (5)  
SALAMANDER (6)

TO CONTROL PANEL

MODEL	VOLTAGE	TOTAL KW	LOADING PER PHASE			AMPERAGE		
			L1-N	L2-N	L3-N	1 Phase	L1	L2
36 ER 35	415V 3N~	18.50	6.5	6.0	77.1	27.1	25.0	25.0
	400V 3N~	16.99	6.0	5.5	73.9	26.0	24.0	24.0
	380V 3N~	15.55	5.5	5.0	70.7	24.8	22.9	22.9
36 ER 35 SAL	415V 3N~	25.50	6.5	6.0	13.0	106.3	27.1	25.0
	400V 3N~	23.42	6.0	5.5	11.9	101.8	26.0	24.0
	380V 3N~	21.43	5.5	5.0	10.9	97.4	24.8	22.9

MODEL	VOLTAGE	TOTAL KW	LOADING PER PHASE			AMPERAGE		
			L1-N	L2-N	L3-N	1 Phase	L1	L2
36 ET 35	415V 3N~	12.00	6.00	6.00	0.00	50.0	25.0	25.0
	400V 3N~	11.02	5.51	5.51	0.00	47.9	24.0	24.0
	380V 3N~	10.08	5.04	5.04	0.00	45.8	22.9	22.9
36 ET 35 SAL	415V 3N~	19.00	6.00	6.00	7.00	25.0	25.0	29.2
	400V 3N~	17.45	5.51	5.51	6.43	24.0	24.0	28.0
	380V 3N~	15.97	5.04	5.04	5.88	22.9	22.9	26.7

MODEL	VOLTAGE	TOTAL KW	LOADING PER PHASE			AMPERAGE		
			L1-N	L2-N	L3-N	1 Phase	L1	L2
36ES15	415V 3N~	6.00	6.00	0.00	0.00	25.0	25.0	0.0
	400V 3N~	5.51	5.51	0.00	0.00	24.0	24.0	0.0
	380V 3N~	5.04	5.04	0.00	0.00	22.9	22.9	0.0
36ET15	415V 3N~	6.00	6.00	0.00	0.00	25.0	25.0	0.0
	400V 3N~	5.51	5.51	0.00	0.00	24.0	24.0	0.0
	380V 3N~	5.04	5.04	0.00	0.00	22.9	22.9	0.0

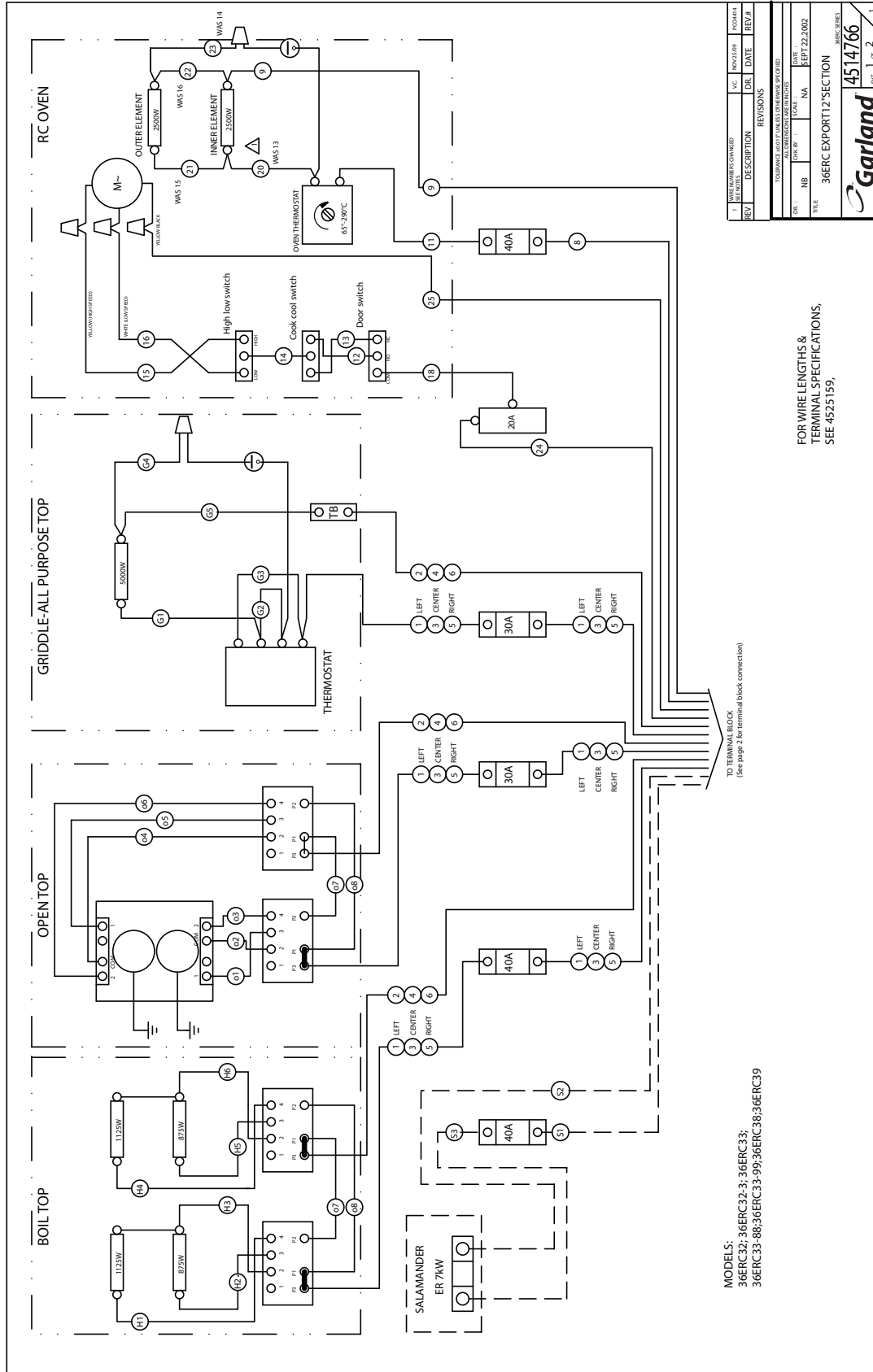
MODEL	VOLTAGE	TOTAL KW	LOADING PER PHASE			AMPERAGE		
			L1-N	L2-N	L3-N	1 Phase	L1	L2
36ES16	415V 3N~	6.00	6.00	0.00	0.00	25.0	25.0	0.0
	400V 3N~	5.51	5.51	0.00	0.00	24.0	24.0	0.0
	380V 3N~	5.04	5.04	0.00	0.00	22.9	22.9	0.0
36ET16	415V 3N~	6.00	6.00	0.00	0.00	25.0	25.0	0.0
	400V 3N~	5.51	5.51	0.00	0.00	24.0	24.0	0.0
	380V 3N~	5.04	5.04	0.00	0.00	22.9	22.9	0.0

REV	DESCRIPTION	DR.	DATE	REV#
REVISIONS				
TOLERANCE UNLESS OTHERWISE SPECIFIED				
DIMENSIONS UNLESS OTHERWISE SPECIFIED				
DR.	DATE	SCALE	DATE	REV#
			SEPT 22 2002	
TITLE		36ER EXPORT 18" SECTION		
DRAWING NUMBER		4514765		
PART NUMBER		2 of 2		

**GARLAND**

# WIRING DIAGRAMS continued



REV	DATE	BY	CHKD	APP'D
1	10/22/00	NA	NA	NA
REVISIONS				
NO.	DATE	BY	CHKD	APP'D
1	10/22/00	NA	NA	NA
TITLE				
36ERC EXPORT 12 SECTION				
SERIES				
4514766				
Garland				

FOR WIRE LENGTHS &  
TERMINAL SPECIFICATIONS,  
SEE 4525159.

MODELS:  
36ERC32; 36ERC33; 36ERC39;  
36ERC33-88; 36ERC33-99; 36ERC38; 36ERC39



# WIRING DIAGRAMS continued

MODEL	VOLTAGE	TOTAL KW	LOADING PER PHASE			AMPERAGE			
			L1-N	L2-N	L3-N	1 Phase	L1	L2	L3
36 ERC 32	415V 3N~	20.60	5.6	10.0	5.0	85.8	23.3	41.7	20.8
	400V 3N~	18.92	5.1	9.2	4.6	82.3	22.4	39.9	20.0
	380V 3N~	17.31	4.7	8.4	4.2	78.7	21.4	38.2	19.1
36 ERC 32 SAL	415V 3N~	27.60	5.6	10.0	12.0	115.0	23.3	41.7	50.0
	400V 3N~	25.35	5.1	9.2	11.0	110.2	22.4	39.9	47.9
	380V 3N~	23.19	4.7	8.4	10.1	105.4	21.4	38.2	45.8

MODEL	VOLTAGE	TOTAL KW	LOADING PER PHASE			AMPERAGE			
			L1-N	L2-N	L3-N	1 Phase	L1	L2	L3
36 ERC 32-3	415V 3N~	19.80	5.6	10.0	4.2	82.5	23.3	41.7	17.5
	400V 3N~	18.18	5.1	9.2	3.9	79.1	22.4	39.9	16.8
	380V 3N~	16.64	4.7	8.4	3.5	75.6	21.4	38.2	16.0
36 ERC 32-3 SAL	415V 3N~	26.80	5.6	10.0	11.2	111.7	23.3	41.7	46.7
	400V 3N~	24.61	5.1	9.2	10.3	107.0	22.4	39.9	44.7
	380V 3N~	22.52	4.7	8.4	9.4	102.4	21.4	38.2	42.8

MODEL	VOLTAGE	TOTAL KW	LOADING PER PHASE			AMPERAGE			
			L1-N	L2-N	L3-N	1 Phase	L1	L2	L3
36 ERC 33	415V 3N~	18.20	5.6	8.4	4.2	75.8	23.3	35.0	17.5
	400V 3N~	16.71	5.1	7.7	3.9	72.7	22.4	33.5	16.8
	380V 3N~	15.29	4.7	7.1	3.5	69.5	21.4	32.1	16.0
36 ERC 33 SAL	415V 3N~	25.20	5.6	8.4	11.2	105.0	23.3	35.0	46.7
	400V 3N~	23.14	5.1	7.7	10.3	100.6	22.4	33.5	44.7
	380V 3N~	21.18	4.7	7.1	9.4	96.3	21.4	32.1	42.8

MODEL	VOLTAGE	TOTAL KW	LOADING PER PHASE			AMPERAGE			
			L1-N	L2-N	L3-N	1 Phase	L1	L2	L3
36 ERC 33-88	415V 3N~	19.80	5.6	10.0	4.2	82.5	23.3	41.7	17.5
	400V 3N~	18.18	5.1	9.2	3.9	79.1	22.4	39.9	16.8
	380V 3N~	16.64	4.7	8.4	3.5	75.6	21.4	38.2	16.0
36 ERC 33-88 SAL	415V 3N~	26.80	5.6	10.0	11.2	111.7	23.3	41.7	46.7
	400V 3N~	24.61	5.1	9.2	10.3	107.0	22.4	39.9	44.7
	380V 3N~	22.52	4.7	8.4	9.4	102.4	21.4	38.2	42.8

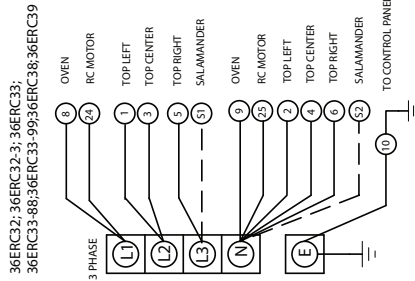
MODEL	VOLTAGE	TOTAL KW	LOADING PER PHASE			AMPERAGE			
			L1-N	L2-N	L3-N	1 Phase	L1	L2	L3
36 ERC 33-99	415V 3N~	17.80	5.6	9.0	4.2	74.2	23.3	33.3	17.5
	400V 3N~	16.35	5.1	7.3	3.9	71.1	22.4	31.9	16.8
	380V 3N~	14.96	4.7	6.7	3.5	68.0	21.4	30.6	16.0
36 ERC 33-99 SAL	415V 3N~	24.80	5.6	8.0	11.2	103.3	23.3	33.3	46.7
	400V 3N~	22.78	5.1	7.3	10.3	99.0	22.4	31.9	44.7
	380V 3N~	20.84	4.7	6.7	9.4	94.7	21.4	30.6	42.8

MODEL	VOLTAGE	TOTAL KW	LOADING PER PHASE			AMPERAGE			
			L1-N	L2-N	L3-N	1 Phase	L1	L2	L3
36 ERC 36	415V 3N~	20.60	5.6	10.0	5.0	85.8	23.3	41.7	20.8
	400V 3N~	18.92	5.1	9.2	4.6	82.3	22.4	39.9	20.0
	380V 3N~	17.31	4.7	8.4	4.2	78.7	21.4	38.2	19.1
36 ERC 36 SAL	415V 3N~	27.60	5.6	10.0	12.0	115.0	23.3	41.7	50.0
	400V 3N~	25.35	5.1	9.2	11.0	110.2	22.4	39.9	47.9
	380V 3N~	23.19	4.7	8.4	10.1	105.4	21.4	38.2	45.8

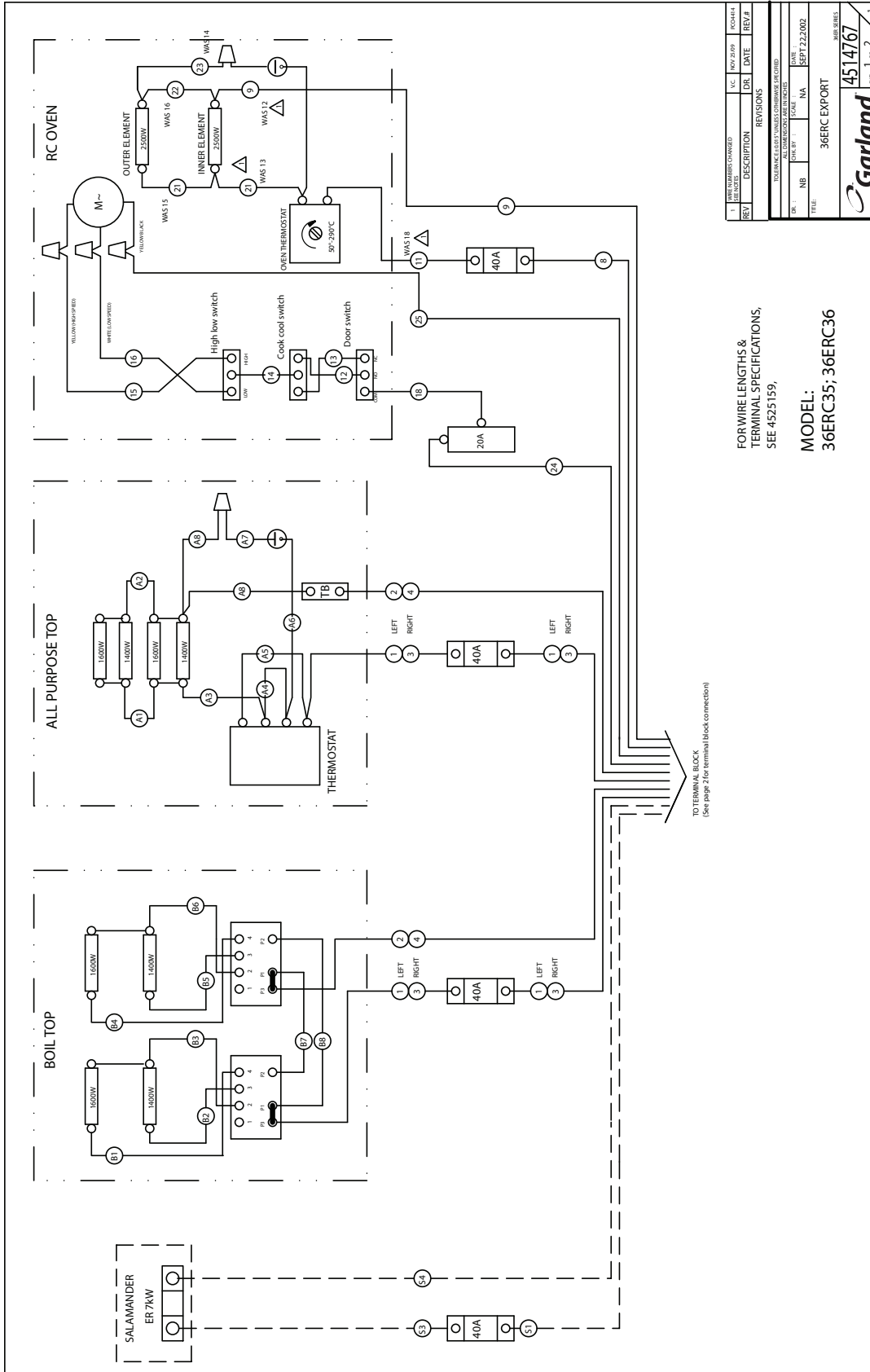
MODEL	VOLTAGE	TOTAL KW	LOADING PER PHASE			AMPERAGE			
			L1-N	L2-N	L3-N	1 Phase	L1	L2	L3
36 ERC 39	415V 3N~	17.60	5.6	8.0	4.0	73.3	23.3	33.3	16.7
	400V 3N~	16.16	5.1	7.3	3.7	70.3	22.4	31.9	16.0
	380V 3N~	14.79	4.7	6.7	3.4	67.2	21.4	30.6	15.3
36 ERC 39 SAL	415V 3N~	24.60	5.6	8.0	11.0	102.5	23.3	33.3	45.8
	400V 3N~	22.59	5.1	7.3	10.1	98.2	22.4	31.9	43.9
	380V 3N~	20.67	4.7	6.7	9.2	94.0	21.4	30.6	42.0



1	WIRING DIAGRAM CHANGED	KAC	10/23/09	RCMARE
REV	DESCRIPTION	DR	DATE	REV#
REVISIONS				
REFERENCE TO THE INDEX OF DRAWINGS FOR OTHER				
DR	NO	SCALE	DATE	
		NA	10/23/09	
TITLE				
36ERC EXPORT 12" SECTION				
MISC. SERIES				
4514766				
Part 2 of 2				



# WIRING DIAGRAMS continued



REV#	DESCRIPTION	DR.	DATE	REV.#
1	WIRE ELEMENTS CHANGED	WJC	10/23/09	1004647

REV#	DESCRIPTION	DR.	DATE	REV.#
1	WIRE ELEMENTS CHANGED	WJC	10/23/09	1004647

DR.	DATE	SCALE	DATE
WJC	10/23/09	NA	SEPT 22 2002

TITLE	36ERC EXPORT
MODEL: 36ERC35; 36ERC36	

REV#	DESCRIPTION	DR.	DATE	REV.#
1	WIRE ELEMENTS CHANGED	WJC	10/23/09	1004647

FOR WIRE LENGTHS &  
TERMINAL SPECIFICATIONS,  
SEE 4525159,  
MODEL:  
36ERC35; 36ERC36

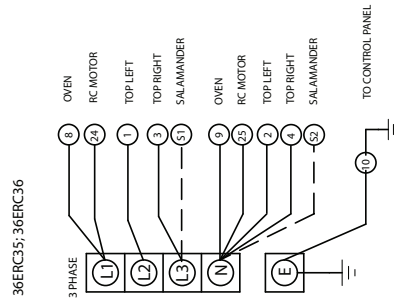
**Garland** 4514767  
REV. 1 OF 2

# WIRING DIAGRAMS continued

MODEL	VOLTAGE	TOTAL KW	LOADING PER PHASE			AMPERAGE			
			L1-N	L2-N	L3-N	1 Phase	L1	L2	L3
36 ERC 35	415V 3N~	17.60	5.6	6.0	6.0	73.3	23.3	25.0	25.0
	400V 3N~	16.16	5.1	5.5	5.5	70.3	22.4	24.0	24.0
	380V 3N~	14.79	4.7	5.0	5.0	67.2	21.4	22.9	22.9
36 ERC 35 SAL	415V 3N~	24.60	5.6	6.0	13.0	102.5	23.3	25.0	54.2
	400V 3N~	22.59	5.1	5.5	11.9	98.2	22.4	24.0	51.9
	380V 3N~	20.67	4.7	5.0	10.9	94.0	21.4	22.9	49.7

MODEL	VOLTAGE	TOTAL KW	LOADING PER PHASE			AMPERAGE			
			L1-N	L2-N	L3-N	1 Phase	L1	L2	L3
36 ERC 36	415V 3N~	17.60	5.6	6.0	6.0	73.3	23.3	25.0	25.0
	400V 3N~	16.16	5.1	5.5	5.5	70.3	22.4	24.0	24.0
	380V 3N~	14.79	4.7	5.0	5.0	67.2	21.4	22.9	22.9
36 ERC 36 SAL	415V 3N~	24.60	5.6	6.0	13.0	102.5	23.3	25.0	54.2
	400V 3N~	22.59	5.1	5.5	11.9	98.2	22.4	24.0	51.9
	380V 3N~	20.67	4.7	5.0	10.9	94.0	21.4	22.9	49.7



REV	DESCRIPTION	DATE	REV.#
1	ISSUED FOR CHANGE	NOV 25 00	EC0414

REVISED		REVISED	
DATE	DESCRIPTION	DATE	DESCRIPTION
NOV 25 00	ISSUED FOR CHANGE	NOV 25 00	ISSUED FOR CHANGE

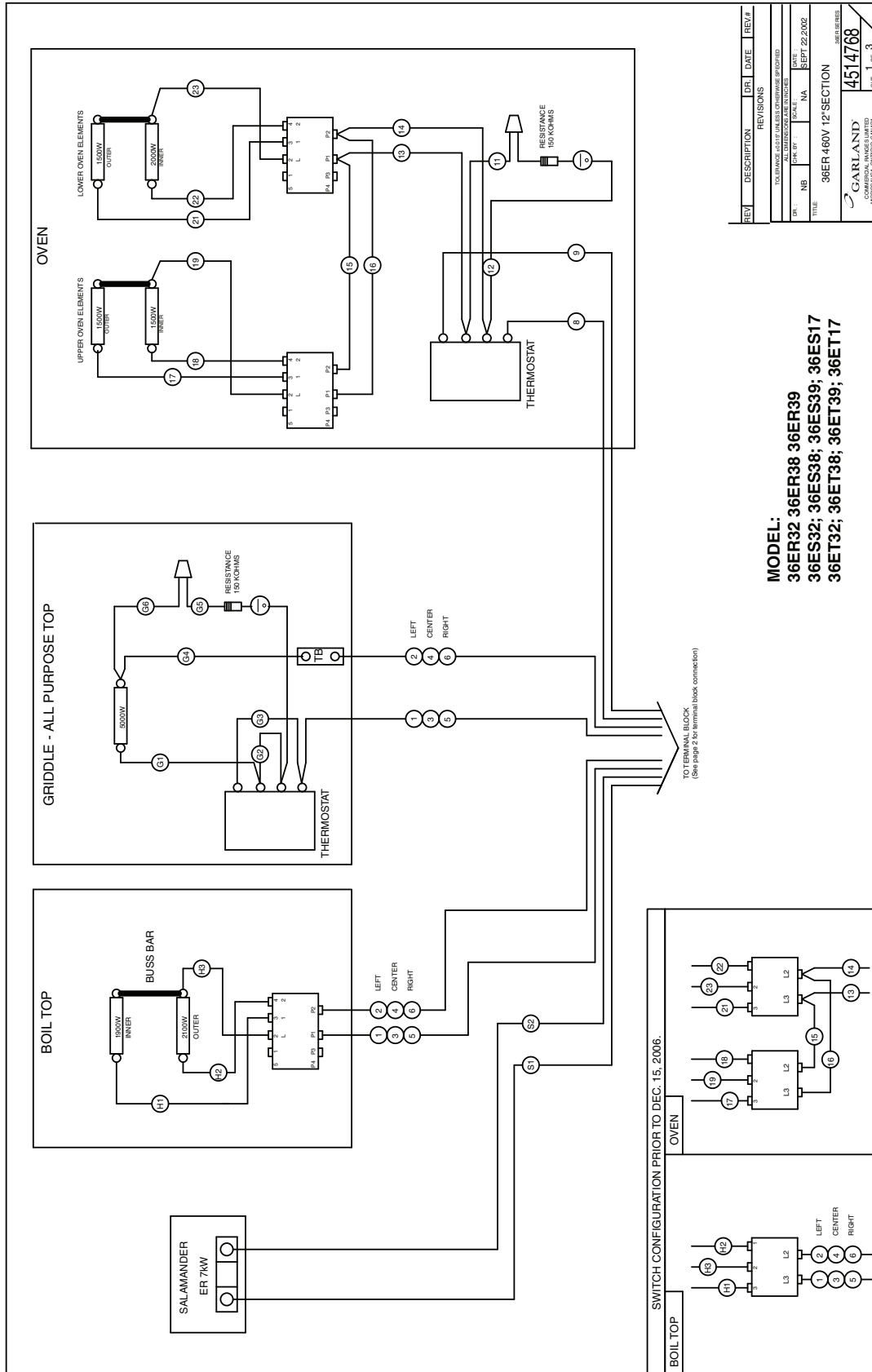
  

DR. 1	NO	NA	NA	SEPT 22 00
TITLE	36ERC EXPORT			

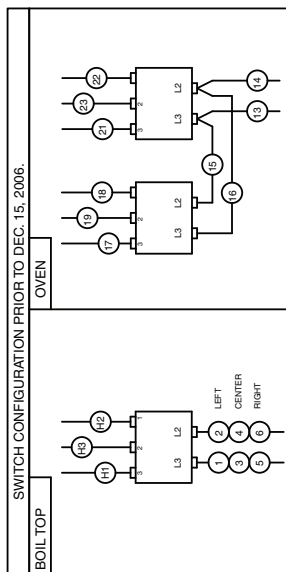
Garland		4514767	1
		REV. 2 of 2	1

# WIRING DIAGRAMS continued



**MODEL:**  
 36ER32 36ER38 36ER39 36ER39  
 36ES32; 36ES38; 36ES39; 36ES17  
 36ET32; 36ET38; 36ET39; 36ET17

REV	DESCRIPTION	DR	DATE	REV A
1	TOLERANCE AND FIT VALUES OF DIMENSIONS SHOWN			
2	ALL DIMENSIONS ARE IN INCHES			
3				
4				
5				
6				
7				
8				
9				
10				
11				
12				
13				
14				
15				
16				
17				
18				
19				
20				
21				
22				
23				
24				
25				
26				
27				
28				
29				
30				
31				
32				
33				
34				
35				
36				
37				
38				
39				
40				
41				
42				
43				
44				
45				
46				
47				
48				
49				
50				
51				
52				
53				
54				
55				
56				
57				
58				
59				
60				
61				
62				
63				
64				
65				
66				
67				
68				
69				
70				
71				
72				
73				
74				
75				
76				
77				
78				
79				
80				
81				
82				
83				
84				
85				
86				
87				
88				
89				
90				
91				
92				
93				
94				
95				
96				
97				
98				
99				
100				



# WIRING DIAGRAMS continued



# WIRING DIAGRAMS continued

MODEL	VOLTAGE	TOTAL KW	LOADING PER PHASE			AMPERAGE			
			X-Y	X-Z	Y-Z	1 Phase	X	Y	Z
36ER 32	460	21.5	6.5	10	5	46.7	31.3	21.7	28.8
36ER 32 5AL	460	27	6.5	10	10.5	58.7	31.3	32.3	38.6
<b>MODEL</b>	<b>VOLTAGE</b>	<b>TOTAL KW</b>	<b>LOADING PER PHASE</b>			<b>AMPERAGE</b>			
			X-Y	X-Z	Y-Z	1 Phase	X	Y	Z
36ER 38	460	21.5	6.5	10	5	46.7	31.3	21.7	28.8
36ER 38 5AL	460	27	6.5	10	10.5	58.7	31.3	32.3	38.6
<b>MODEL</b>	<b>VOLTAGE</b>	<b>TOTAL KW</b>	<b>LOADING PER PHASE</b>			<b>AMPERAGE</b>			
			X-Y	X-Z	Y-Z	1 Phase	X	Y	Z
36ER 39	460	18.5	6.5	8	4	40.2	27.3	20.0	23.0
36ER 39 5AL	460	24	6.5	8	9.5	52.2	27.3	30.3	33.0
<b>MODEL</b>	<b>VOLTAGE</b>	<b>TOTAL KW</b>	<b>LOADING PER PHASE</b>			<b>AMPERAGE</b>			
			X-Y	X-Z	Y-Z	1 Phase	X	Y	Z
36ES 32 - 36ET 32	460	15	5	5	5	32.6	18.8	18.8	18.8
36ES 32 5AL - 36ET 32 5AL	460	20.5	5.5	5	10	44.6	19.8	29.6	28.8
<b>MODEL</b>	<b>VOLTAGE</b>	<b>TOTAL KW</b>	<b>LOADING PER PHASE</b>			<b>AMPERAGE</b>			
			X-Y	X-Z	Y-Z	1 Phase	X	Y	Z
36ES 38 - 36ET 38	460	15	5	5	5	32.6	18.8	18.8	18.8
36ES 38 5AL - 36ET 38 5AL	460	20.5	5.5	5	10	44.6	19.8	29.6	28.8
<b>MODEL</b>	<b>VOLTAGE</b>	<b>TOTAL KW</b>	<b>LOADING PER PHASE</b>			<b>AMPERAGE</b>			
			X-Y	X-Z	Y-Z	1 Phase	X	Y	Z
36ES 39 - 36ET 39	460	12	4	4	4	26.1	15.1	15.1	15.1
36ES 39 5AL - 36ET 39 5AL	460	17.5	5.5	4	8	38.0	18.0	26.6	23.0
<b>MODEL</b>	<b>VOLTAGE</b>	<b>TOTAL KW</b>	<b>LOADING PER PHASE</b>			<b>AMPERAGE</b>			
			X-Y	X-Z	Y-Z	1 Phase	X	Y	Z
36ES 17 - 36ET 17	460	10	5	5	0	21.7	18.8	10.9	10.9


REV	DESCRIPTION	DR	DATE	REV

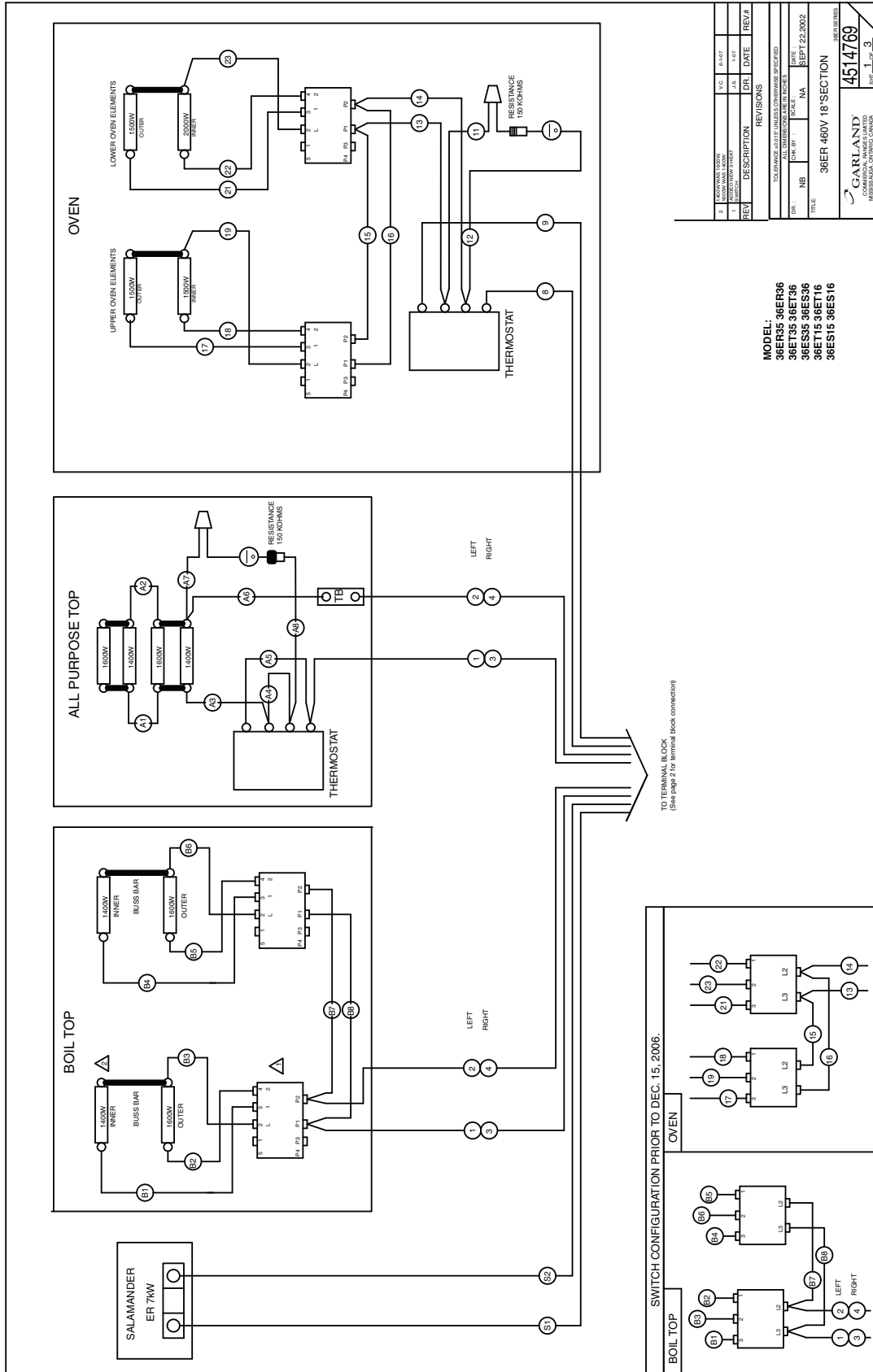
REVISIONS	
TO BE MADE BY	UNLESS OTHERWISE SPECIFIED
DATE	BY
NO	NA
NO	SEPT 22, 2002

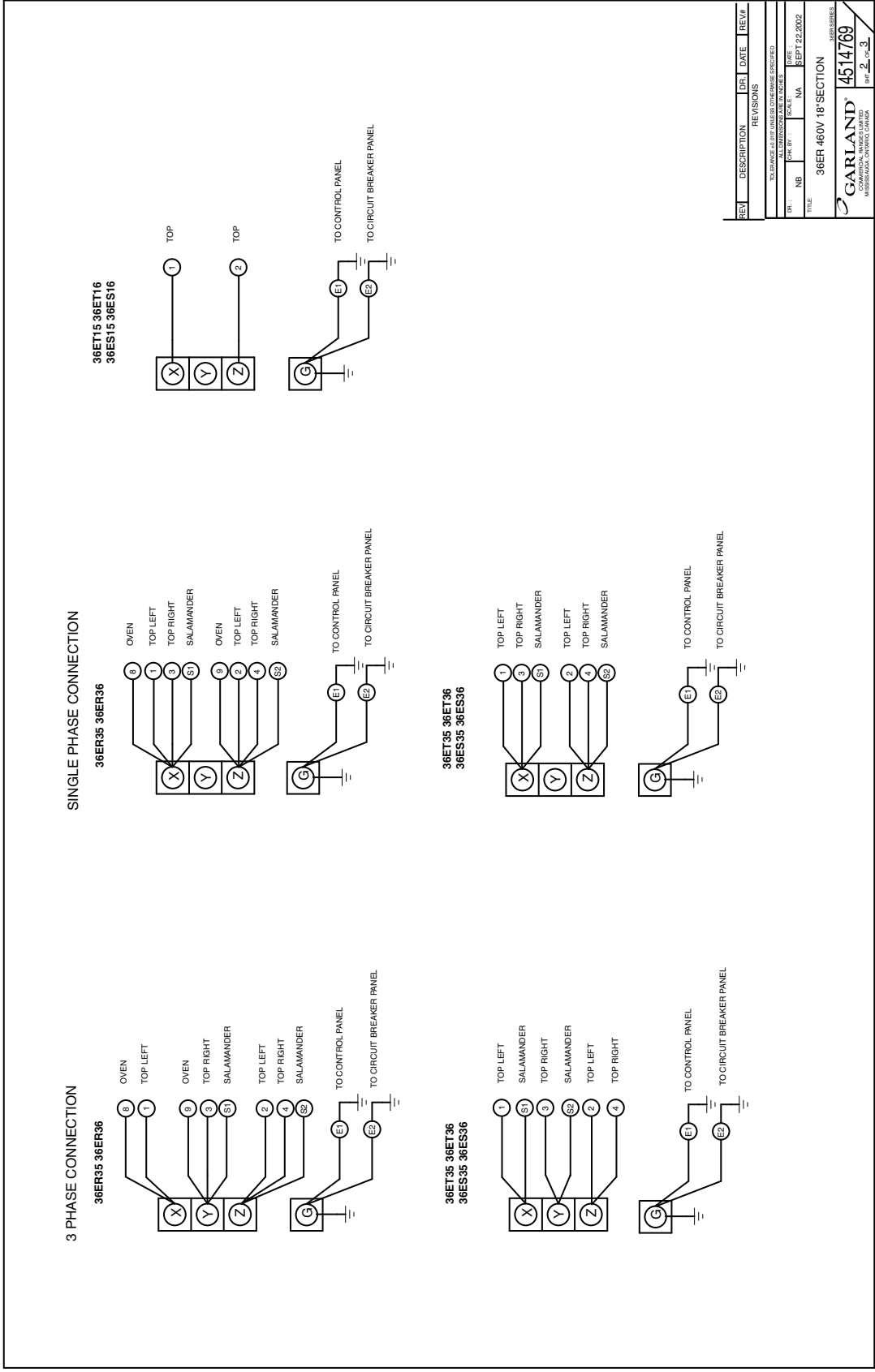
TITLE	36ER 460V 12' SECTION
DATE	4514768
REV	3 OF 3

# WIRING DIAGRAMS continued



# WIRING DIAGRAMS continued



REV	DESCRIPTION	DR	DATE	REV

REVISIONS	
1	ISSUE FOR REVISED DRAWING

DR	DATE	SCALE	NA

TITLE	DATE
36ER 460V 18" SECTION	SEPT 22, 2002

GARLAND	
4514769	36ER SERIES
18" SECTION	4514769
18" SECTION	4514769



# WIRING DIAGRAMS continued

MODEL	VOLTAGE	TOTAL KW	LOADING PER PHASE			AMPERAGE			
			X-Y	X-Z	Y-Z	1 Phase	X	Y	Z
36 ER 35	460	18.5	6.5	6	6	40.2	23.5	23.5	22.6
36 ER 35 SAL	460	24	6.5	6	11.5	52.2	23.5	34.5	33.5

MODEL	VOLTAGE	TOTAL KW	LOADING PER PHASE			AMPERAGE			
			X-Y	X-Z	Y-Z	1 Phase	X	Y	Z
36 ER 36	460	18.5	6.5	6	6	40.2	23.5	23.5	22.6
36 ER 36 SAL	460	24	6.5	6	11.5	52.2	23.5	34.3	33.5

MODEL	VOLTAGE	TOTAL KW	LOADING PER PHASE			AMPERAGE			
			X-Y	X-Z	Y-Z	1 Phase	X	Y	Z
36 ES 35 - 36 ET 35	460	12	0	6	6	26.1	13.0	13.0	22.6
36 ES 35 SAL - 36 ES 35 SAL	460	17.5	5.5	6	6	38.0	21.7	21.7	22.6

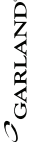
MODEL	VOLTAGE	TOTAL KW	LOADING PER PHASE			AMPERAGE			
			X-Y	X-Z	Y-Z	1 Phase	X	Y	Z
36ES15 - 36ET15	460	6	0	6	0	13.0	13.0	0.0	13.0

MODEL	VOLTAGE	TOTAL KW	LOADING PER PHASE			AMPERAGE			
			X-Y	X-Z	Y-Z	1 Phase	X	Y	Z
36ES16 - 36ET16	460	6	0	6	0	13.0	13.0	0.0	13.0

MODEL	VOLTAGE	TOTAL KW	LOADING PER PHASE			AMPERAGE			
			X-Y	X-Z	Y-Z	1 Phase	X	Y	Z
36 ES 36 - 36 ET 36	460	11	0	5.5	5.5	25.0	12.5	12.5	21.7
36 ES 36 SAL - 36 ET 36 SAL	460	16	5	5.5	5.5	36.4	20.7	20.7	21.7

REV#	DESCRIPTION	DR#	DATE	REV#
	REVISIONS			
<small>                 TOTAL KW AND AMPERAGE ARE APPROXIMATE VALUES.                  ALL CURRENTS ARE IN AMPERES.             </small>				
DR#	NS	CHK BY	SCALE	DATE
			N/A	SEPT 22, 2002
TITLE				
36ER460V18" SECTION				
 GARLAND				
				4514769
				REV. 3 OF 3

 **Garland**<sup>®</sup>

**Garland**  <sup>TM</sup>

- B. **Une Fois Par Jour** - nettoyer la surface du grill avec une brosse et bien le nettoyer de la même façon que tous les ustensiles de cuisine ordinaires.

- C. **Une Fois Par Semaine** - nettoyer soigneusement la surface du grill. Si nécessaire, utiliser une pierre à grill ou un tampon à grill sur sa surface. Frotter dans le sens du grain du métal pendant que le grill est encore tiède. Il est possible d'utiliser un détergent sur la surface du grill pour faciliter le nettoyage, mais il faut s'assurer de bien éliminer le détergent de la surface du grill à la fin du nettoyage. Après l'élimination du détergent de la surface, celle-ci doit être couverte d'une mince couche d'huile afin d'empêcher la corrosion. Pour éliminer les décolorations, utiliser un produit de nettoyage non abrasif. Veiller à la propreté du tube de vidange des graisses dans le récipient à graisse, sur les modèles ne comportant pas de récipient à graisse latéral.

**AVERTISSEMENT:** Cette plaque de grill est en acier, mais sa surface est relativement tendre et elle peut être rayée ou endommagée par une utilisation inadéquate de la spatule. Faire attention à ne pas rayer ou creuser la surface de la plaque. Noter également que la plaque étant en acier, si sa surface n'est pas recouverte en permanence d'une mince couche d'huile, elle risque de rouiller aux endroits non exposés.

## Section Grilloir

La crémaillère du grilloir, le porte-crémaillère et la cuvette de propreté peuvent être retirés pour le nettoyage.

Soulever la crémaillère de grilloir hors de son chariot. Tirer le chariot de crémaillère vers l'avant jusqu'aux butées et soulever. Il est maintenant possible de sortir le chariot des rails. Soulever et tirer vers l'extérieur le récipient à graisse. Il est maintenant possible de nettoyer tout l'intérieur du grilloir. Après lavage et séchage, remonter les pièces dans l'ordre inverse du démontage.

Après le nettoyage des plaques à bouillir, des plaques tout usage, des grills, des unités chauffantes tubulaires, des fours et des grilloirs, laver les gouttières à graisse avant et arrière et les bacs récepteurs à l'eau chaude avec du détergent doux ou une solution savonneuse et bien sécher.

- 4. Utiliser un produit détergent concentré sur un tampon en plastique pour retirer les résidus brûlés. Ne pas utiliser de laine d'acier, de nettoyeurs pour fours ni de poudres abrasives. Ces produits risquent d'enlever l'aluminium. Rincer à l'eau tiède à l'aide d'un chiffon doux. Veiller à bien enlever tout résidu de détergent. Toute décoloration persistante après le nettoyage n'affecte en rien le fonctionnement du four.
- 5. Pour le remontage, inverser la procédure. Placer le bas du guide de crémaillère contre la paroi intérieure du four. En maintenant le haut écarté de la paroi, soulever. Pousser le haut du guide de crémaillère contre la paroi et pousser vers le bas pour le verrouiller en place.

## Nettoyage Et Entretien Des Brûleurs Chauffants Des Plaques

Les plaques de cuisson peuvent être soulevées pour pouvoir retirer les coupelles de protection sous les brûleurs. Les coupelles de protection contre les déversements peuvent être nettoyées, asséchées et remises en place. Les bacs récepteurs sous le panneau de commande avant peuvent également être retirés, lavés, rincés, asséchés et remis en place. La plaque de cuisson peut être nettoyée avec un chiffon humidifié avec un détergent doux et de l'eau. Il est également possible de suivre les instructions données précédemment sous le titre « Nettoyage des surfaces extérieures en acier inoxydable ».

## Nettoyage Du Grill, Des Plaques Tout Usage Et Des Plaques À Bouillir

Afin d'obtenir des aliments uniformément cuits et parfaitement dorés sur le grill, il faut éliminer toute trace de graisse carbonisée sur le grill. La graisse carbonisée sur la surface empêche le transfert de chaleur de la surface du grill aux aliments. Cela cause le brunissement inégal des aliments et une perte d'efficacité de cuisson et, ce qui est pire, la graisse carbonisée a tendance de coller aux aliments posés sur le grill, leur donnant ainsi une apparence très peu appétissante et insatisfaisante. Pour maintenir le grill propre et fonctionnant à sa capacité optimale, suivre les instructions simples ci-après.

- A. **Après Chaque Utilisation** - nettoyer soigneusement avec un grattoir à grill ou une spatule. Essuyer tous les déchets des opérations de cuisson.

## Finis Peints

Établir un calendrier de nettoyage régulier. Tout déversement doit être essuyé immédiatement.

Il est nécessaire de laisser le four refroidir avant de procéder au nettoyage des surfaces extérieures.

Essuyer les surfaces visibles nettoyables (lorsqu'elles sont tièdes) avec de l'eau chaude et du détergent doux. Les résidus tenaces peuvent être éliminés avec un tampon à récureur non métallique léger. Bien sécher avec un chiffon propre.

## Acier Inoxydable

Le nettoyage de routine est effectué avec une solution d'eau chaude et de détergent.

L'acier inoxydable doit être nettoyé avec des produits détergents doux, de l'eau chaude et un chiffon doux. Si nécessaire, on peut utiliser un tampon à récureur non métallique en frottant toujours dans le sens du grain du métal afin de ne pas le rayer. Utiliser du produit de nettoyage pour acier inoxydable à base d'eau (Drackett Twinkle) pour obtenir un effet très brillant. Laver une petite surface à la fois, pour éviter que l'eau ne laisse des traces en s'évaporant.

Rincer la surface lavée avec une éponge propre trempée dans une solution désinfectante et, essuyer rapidement à l'aide d'un chiffon doux et propre avant que le produit ne sèche.

Si nécessaire, utiliser une pâte (composée d'eau et d'une poudre à récureur douce), mais ne jamais frotter à contresens du grain du métal. L'acier inoxydable est toujours poli dans un sens. Frotter dans le sens des lignes de polissage pour conserver le fini d'origine. Bien rincer comme indiqué précédemment.

Pour éviter les empreintes digitales, il existe plusieurs produits de polissage pour acier inoxydable disponibles sur le marché qui laissent un film d'huile ou de cire. Ne pas utiliser ces produits sur les surfaces en contact avec les aliments.

L'acier inoxydable peut se décolorer s'il est trop chauffé. Ces taches peuvent être éliminées en les frottant vigoureusement avec une pâte de poudre à récureur.

## Reêtement Intérieur De La Porte Du Four Et De La Section Du Four (Email Vitriifié)

Le revêtement intérieur de la porte du four et la section du four en email vitriifié peuvent être nettoyés à l'aide de produits de nettoyage pour fours tels que : «Easy Off» ou «Dow Oven Cleaner». Respecter les recommandations du fabricant du produit pour leur bonne utilisation. ATTENTION : ne pas utiliser de produit de nettoyage pour fours sur les surfaces peintes, car ces produits risquent d'enlever la peinture! ATTENTION : ne pas utiliser de produit de nettoyage pour fours sur les surfaces intérieures en acier aluminé, car ces produits de nettoyage peuvent causer une coloration en bleu de la surface et peuvent endommager la surface aluminée.

## Aluminé

### Nettoyage Intérieur Des Surfaces En Acier

Les côtés du four et le revêtement du dessus sont en acier épais avec un revêtement de surface d'aluminium projeté et fondu afin de refléter la chaleur sur les aliments et d'éliminer pratiquement toute formation de rouille. Établir un calendrier régulier de nettoyage ou nettoyer tout déversement se produisant dans la journée.

1. Laisser refroidir le four.

2. Enlever les crémaillères du four.

3. Soulever les guides des crémaillères des deux côtés de leurs supports, éloigner le haut de la paroi du four. Une fois qu'elles sont dégagées des clips, pousser vers le bas et les retirer. Les crémaillères et les guides peuvent être lavés dans le lave-vaisselle pendant le nettoyage de l'intérieur du four.

- Régler tous les thermostats à 150 °F. Une légère dislocation peut se produire à cause de l'action de la chaleur sur l'acier.
  - Laisser le grill chauffer doucement pendant 15 à 20 minutes. Essuyer ensuite l'huile. Répéter la procédure plusieurs fois, jusqu'à ce que le grill présente un fini lisse semblable à un miroir. Procéder de cette manière jusqu'à ce que la température de cuisson désirée soit atteinte.
- Important Ne pas arriver à la température de 450 °F pendant la période de « rodage ».

Remarque : La surface du grill en acier prendra une teinte bleue sous l'action de la chaleur. Cette coloration n'entraîne aucun problème de fonctionnement ou d'utilisation et ne constitue pas un défaut.

La grill n'aura plus de besoin d'être «apprêtée» s'il est utilisé correctement. Si le grill est surchauffé et si les aliments commencent à coller à la surface, il peut s'avérer nécessaire de refaire l'opération d'apprêtage. Si le grill est lavé à l'eau et au savon, il sera également nécessaire de l'apprêter de nouveau.

## Fonctionnement De La Section Grilloir

Les grilloirs électriques à usage intensif sont disponibles en versions à une ou deux sections, à monter sur un four ou une base de rangement. Ils sont également disponibles en éléments modulaires à un ou deux sections.

# ENTRETIEN ET NETTOYAGE

Nous recommandons de confier l'entretien et les réparations à un Agent d'entretien Agréé par Garland. La liste de ces agents est livrée avec votre cuisinière et est intitulée «Centres D'entretien Et De Réparation».

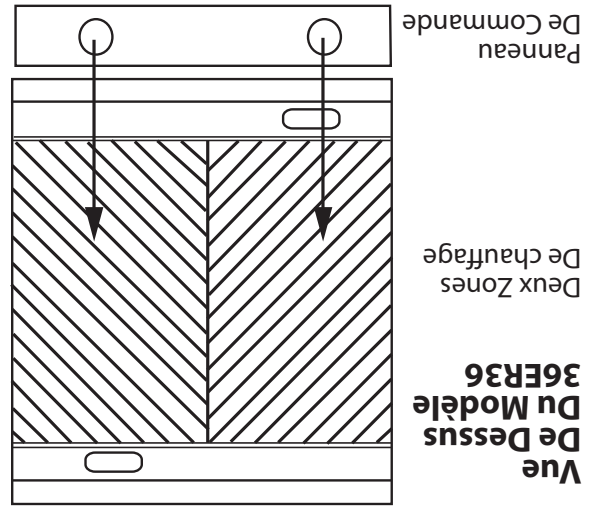
ATTENTION : Ne pas oublier l'eau et l'électricité ne se mélangent pas. Ne pas utiliser trop d'eau, des éponges ou des chiffons imbibés d'eau pour nettoyer le panneau des interrupteurs ou les endroits proches des connexions électriques!

NOTA : De la ROUILLE peut se former sur les pièces en acier et en fonte. S'assurer que les pièces sont bien séchées après nettoyage. Dans les environnements chauds et humides, les pièces brutes peuvent avoir besoin d'être protégées. Les essuyer avec un chiffon imbibé d'huile, de produit antirouille ou de poli selon les cas.

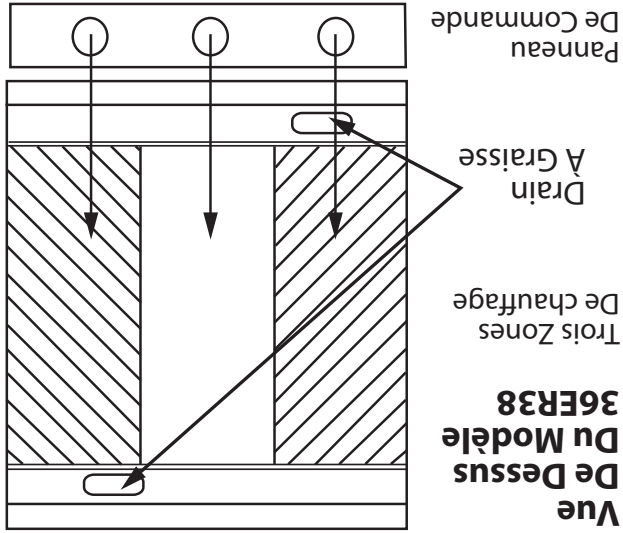
Éléments chauffants : Deux ensembles d'éléments chauffants gainés d'Inconel équipent l'appareil, l'un assurant le chauffage de la moitié arrière du compartiment grilloir, et l'autre la moitié avant. L'ensemble d'éléments de la moitié avant du compartiment grilloir est commandé par un commutateur réversible à 3 positions de chauffe et à usage intensif, monté en bas du panneau. Chaque commutateur règle entre les modes OFF - HIGH, MEDIUM et LOW. Chaque section du grilloir est munie d'un témoin monté dans le panneau de commande. Lorsque le voyant est allumé, il indique que les éléments sont alimentés en électricité. Chaque ensemble d'éléments a une puissance maximale de 6 kW, ce qui donne une puissance maximale de 12 kW pour chaque section.

Les compartiments grilloirs disposent d'une crémaillère de démontée et de descente verticale à contrepois à ressort, réglable sur 15 positions. La crémaillère peut être positionnée à une distance minimale de 1/2 po des éléments chauffants. La crémaillère de grilloir de 24 x 22 5/8 po, avec écran anti-projection intégré, roule facilement vers l'extérieur ou l'intérieur grâce à ses six roulements à rouleaux. Une butée empêche la crémaillère de sortir accidentellement de ses rails. Cependant, la crémaillère et son écran peuvent être facilement retirés pour le nettoyage. Des déflecteurs à chicanes à l'intérieur du panneau, permettent d'éviter tout déversement lors du démontage

Plaques Tout Usage



Plaques Gril



Retirer tout matériau de protection appliqué en usine (huile minérale gélifiée) en lavant les surfaces à l'eau chaude additionnée de détergent doux ou à l'eau savonneuse et bien assécher. Avant toute utilisation de l'appareil, suivre les procédures d'appontage dans la Section Plaque Gril. Toutes les plaques tout usage sont commandées par thermostat entre 250 et 700 °F. Les cadrans des thermostats sont gradués de 1 à 10. Les réglages de température approximatifs sont les suivants:

MODE	RÉGLAGE DU CADRAN	TEMPÉRATURE LA
Mijoter	1-2	250 à 300°F
Frire	2-5	300 à 450°F
Bouillir	5-8	450 à 600°F
Frire À La Poêle Et Bouillir Rapidement	8-10	600 à 700°F

- Avant la première utilisation de l'appareil, tous les grils doivent être «apprêtés» en se conformant à la méthode suivante :
  - Appliquer une fine couche d'huile de cuisine sur la surface du gril, en comptant environ une once d'huile par pied carré de surface du gril. Étaler l'huile à l'aide d'un chiffon sur toute la surface du gril pour former un film mince. Essuyer tout excès d'huile avec un chiffon.

Toutes les plaques gril en acier sont commandées par des thermostats permettant de maintenir des températures séparées à tout moment. Le gril à usage intensif est recommandé pour les cuissons en quantité importante pour lesquelles il faut des températures régulières et une récupération rapide de la chaleur. La plaque supérieure est dotée de rebords latéraux soudés de 2 1/2 po (64 mm) de hauteur. Gril : Plaque de 36 po x 24 po (914 mm x 610 mm), en acier poli disposant de trois zones de chauffage, chacune commandée par un thermostat entre 150 et 450 °F (38 et 232 °C) avec voyant lumineux. La puissance totale de la plaque est de 15 kW. Le temps de préchauffage à 350 °F (180 °C) est de 8 minutes.

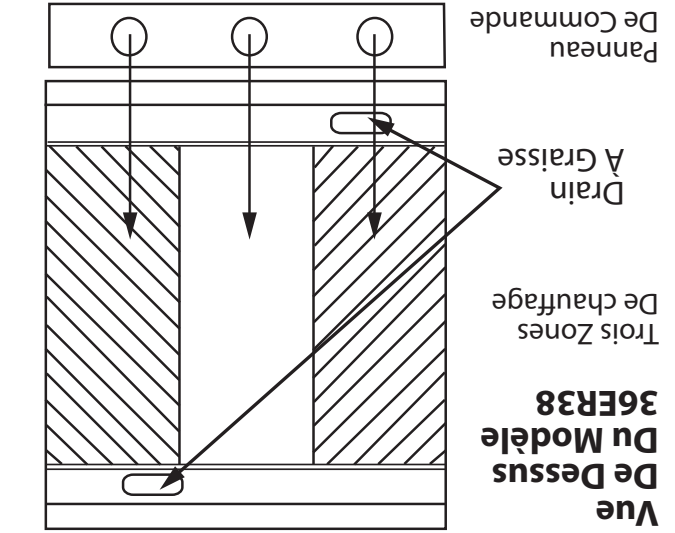
Retirer tout revêtement de protection appliqué en usine (huile minérale gélifiée) en lavant les surfaces à l'eau chaude additionnée de détergent doux ou à l'eau savonneuse et bien assécher.

**Apprêt**

Avant la première utilisation de l'appareil, tous les grils doivent être «apprêtés» en se conformant à la méthode suivante :

- Appliquer une fine couche d'huile de cuisine sur la surface du gril, en comptant environ une once d'huile par pied carré de surface du gril. Étaler l'huile à l'aide d'un chiffon sur toute la surface du gril pour former un film mince. Essuyer tout excès d'huile avec un chiffon.

Retirer tout revêtement de protection appliqué en usine (huile minérale gélifiée) en lavant les surfaces à l'eau chaude additionnée de détergent doux ou à l'eau savonneuse et bien assécher.

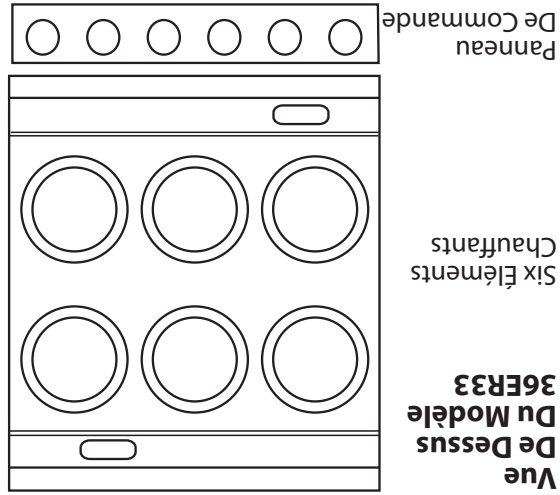


**Entretien Du Moteur**

Le moteur de votre cuisinière GARLAND est sans entretien puisqu'il est fabriqué avec de roulements à billes étanches auto-lubrifiants. Il est conçu pour assurer des années de fonctionnement à condition d'être utilisé avec un minimum de soins. Il est impératif de suivre les procédures de refroidissement mentionnées plus haut ou de réduire la température du four pendant les périodes d'inactivité. En cas de non-observation de ces procédures, la garantie ne sera peut-être pas annulée, mais le moteur du four risque de tomber en panne au moment où vous en avez le plus besoin.

**Sections Supérieures**

**Plaque De Cuisson –  
Brûleurs Du Type Ouvert**

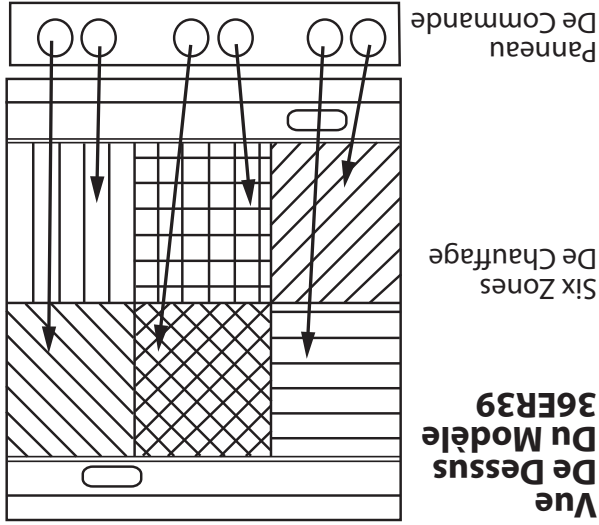


Les éléments chauffants tubulaires à haute vitesse sont tous munis d'un commutateur à 3 positions de chauffe. Chaque élément chauffant tubulaire haute vitesse à une puissance nominale de 2,1 kW, conçue pour offrir rapidité et flexibilité lorsque l'on utilise des casseroles. Il faut souligner que ces brûleurs NE SONT PAS conçus ni destinés à une utilisation lourde (marmites). L'utilisation de grandes marmites risque de causer de graves dommages aux éléments chauffants. Il est recommandé d'utiliser uniquement des récipients d'un diamètre compris entre 8 et 10 po (d'une capacité maximale d'un gallon US).

**Plaques À Bouillir**

Les éléments chauffants ne doivent pas rester allumés lorsqu'ils sont réglés à haute température s'ils ne sont pas couverts par un récipient de cuisson. Mettre le commutateur «OFF» ou «LOW» lorsque les éléments ne sont pas utilisés. En cas de non-observation de cette recommandation, la durée de vie des éléments chauffants sera raccourcie.

NE JAMAIS UTILISER DE GRANDES MARMITES SUR LES ÉLÉMENTS CHAUFFANTS!



Retirer tout matériau de protection appliqué en usine (huile minérale gélifiée) en lavant les surfaces à l'eau chaude additionnée de détergent doux ou à l'eau savonneuse et bien assécher. Avant toute utilisation de l'appareil, suivre les procédures d'appontage dans la Section Plaque du Gril. Toutes les plaques à bouillir sont munies d'unités de chauffage avant et arrière séparées. Chaque unité de chauffage est commandée par un commutateur réversible à 3 positions de chauffe (High - Med - Low - Off) à usage intensif. Les commutateurs sont reliés à la terre par ensembles de deux (2) pour chaque plaque de 12 po. Dans chaque groupe, le commutateur de gauche commande la section avant et le commutateur de droite commande la section arrière.

Les plaques à bouillir General sont recommandées pour toutes les cuissons en marmite. Ces plaques sont les plaques à bouillir les plus flexibles disponibles. Le dessus en acier de 36 po (914 mm) x 24 po (610 mm) comporte six zones de chauffe. La puissance totale de la plaque est de 12 kW.



**Problèmes/Solutions**

<b>FOUR À CONVECTION DE CUISINIÈRE À USAGE INTENSIF</b>	
<b>PROBLÈMES</b>	<b>SOLUTIONS</b>
Si les gâteaux sont brunis à l'extérieur et mal cuits au centre	Réduire la température du four
Si les bords du gâteau sont trop bruns	Réduire le nombre de plats de cuisson ou réduire la température
Si les gâteaux sont pâles à l'extérieur	Augmenter la température
Si les gâteaux s'affaissent au centre	Prolonger la cuisson ou augmenter légèrement la température du four. Ne pas ouvrir les portes trop souvent pendant de longues périodes
Si le gâteau faite des rides	Les plats de cuisson sont trop chargés ou la pâte est trop fine
Si les gâteaux sont trop durs	Réduire la température du four
Si les tartes ont une couleur inégale	Réduire le nombre de tartes par grille ou éliminer les plats de cuisson
Si les petits gâteaux sont fissurés sur le dessus	Réduire la température du four
Si les viandes sont dorées, mais insuffisamment cuites au centre	Réduire la température du four et prolonger le temps de cuisson
Si les viandes sont bien cuites et brunes	Réduire le temps. Limiter la quantité d'humidité
Si les viandes forment une croûte dure	Réduire la température ou placer un récipient d'eau dans le four
Les pains sont de couleur irrégulière	Réduire le nombre ou la taille des plaques

pour permettre une circulation adéquate de la chaleur sur les côtés. Taille de la charge - le four peut contenir trois (3) plaques de cuisson de 18x 26 po, six (6) récipients de table à vapeur de 12 x 20 x 2,5 po ou un (1) plat à rôtir de 17,75 x 25,75 po. Ne jamais placer les plats de cuisson directement sur le fond de l'appareil. Toujours utiliser la position la plus basse possible de la grille qui permette la circulation d'air dans le four. Charger et décharger le four aussi rapidement que possible pour éviter une chute excessive de température. Éviter d'utiliser des plats de cuisson déformés, étant donné que la cuisson se fait plus uniformément dans les récipients bien plats. Ne pas utiliser de plats de cuisson profonds pour la cuisson de gâteaux peu épais, de biscuits, etc., étant donné que la circulation de l'air en surface est essentielle pour cuire et dorer uniformément. Pour éviter la réduction excessive des aliments, rôtir les viandes à basse température (entre 250 et 325 °F).

Lors de l'utilisation d'aliments congelés, préchauffer le four à 50 ° de plus que la température de cuisson, afin de compenser la perte de chaleur pendant et après le chargement. Le thermostat doit être remis à la température de cuisson après le chargement.

**Fonctionnement Du Four À Convection**

**De Base De Cuisinière**

Mettre l'interrupteur d'alimentation en position de cuisson. Régler la vitesse du ventilateur à la vitesse désirée. Régler le thermostat du four à la température désirée du four. Compter 20 à 30 minutes pour le préchauffage.

À la fin des opérations de cuisson, laisser le four refroidir en dessous de 150 ° avant de l'arrêter. Mettre l'interrupteur d'alimentation à la position « Cool Down » et ouvrir la porte du four. Laisser le ventilateur fonctionner pendant environ 30 minutes. Pour arrêter le four, mettre le thermostat et l'interrupteur d'alimentation à la position « Off ».

AVERTISSEMENT : le moteur doit fonctionner pendant le cycle de cuisson. Dans le cas contraire, la vie du moteur sera raccourcie!

Nous recommandons, à la fin d'une période de cuisson ou de rôtissage, lorsque le four doit fonctionner au ralenti pendant n'importe quelle période de temps, de régler le thermostat du four à la position la plus basse possible et de laisser le four en marche. De cette façon, le moteur du four se refroidira lui-même en tournant et vous économiserez le temps de préchauffage pour la prochaine opération de cuisson. Si cette procédure n'est pas souhaitable, nous recommandons de laisser le four refroidir à moins de 150 °F entre les périodes de cuisson.

## Fours

### Commandes

Sur les appareils standard, les commandes de la section inférieure du four se trouvent sur le côté droit du panneau de commande. Chaque four est équipé d'unités de chauffage haute et basse. Deux (2) commutateurs réversibles à usage intensif et à trois positions de chauffe permettent de régler séparément chaque unité de chauffage. Un thermostat du four et un témoin lumineux sont également prévus pour chaque four. Quels que soient les réglages des commutateurs des unités haute et basse, c'est le thermostat qui contrôle complètement la température du four.

### Préchauffage

Allumer l'unité de chauffage haute en mettant le commutateur à gauche du cadran du thermostat en position «High». Allumer l'unité de chauffage basse en mettant le commutateur à droite du cadran du thermostat en position «High». Régler le thermostat du four à la température désirée. Le témoin doit maintenant être allumé, indiquant que le four n'a pas atteint la température désirée. Lorsque cette température est atteinte, le témoin lumineux s'éteint. À ce moment-là, le commutateur de l'unité de chauffage haute peut être mis en position «OF» ou réglé comme on le souhaite. Le commutateur de l'unité de chauffage basse peut être laissé sur «High» ou réglé comme on le souhaite. Pendant la période de préchauffage, maintenir la porte du four fermée. Si le four fonctionne à la tension nominale, le préchauffage prend environ 18 à 20 minutes pour atteindre 450 °F à partir de l'état froid. Les préférences personnelles des différents utilisateurs dictent les exigences en termes de temps et de température pour les différentes opérations de cuisson. Pour cette raison, on ne trouve dans le présent document aucune suggestion de temps ou de température. En cas de doute, consulter un bon livre de cuisine pour collectivités.

## Généralités

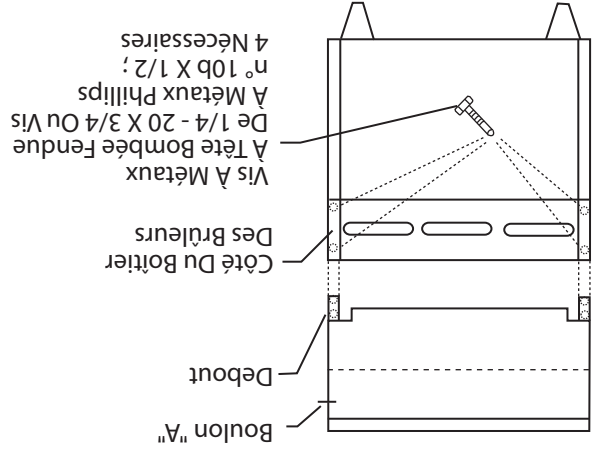
Les cuissons au four ou le rôtissage peuvent être réalisés dans le four sur les grilles fournies avec chaque appareil. On obtiendra les meilleurs résultats de cuisson ou de rôtissage en utilisant une seule grille de produits à la fois. L'utilisation de plusieurs grilles chargées modifie de manière importante les caractéristiques de cuisson/rôtissage et les temps de cuisson. Ne pas faire de cuisson/rôtissage directement sur le fond du four. En choisissant les plats de cuisson, veiller à ce que leurs tailles permettent la circulation adéquate de la chaleur entre les côtés, l'arrière et la porte du four. Les préférences personnelles des différents chefs et exploitants d'établissements de restauration dictent les exigences en termes de temps et de température pour les différentes opérations de cuisson au four. Pour cette raison, on ne trouve dans le présent document aucune suggestion de temps ou de température de cuisson. En cas de doute, consulter un bon livre de cuisine pour collectivités.

### Four À Convection De Cuisinière (RC)

En guise d'indication générale, régler la température du four 25 à 50 ° plus bas que les températures indiquées dans les recettes pour fours standard ou conventionnels. Les temps de cuisson peuvent être inférieurs selon les aliments préparés. 2 à 5 % est une règle générale. Il est conseillé de surveiller l'aliment lors de sa première préparation. Les temps et les températures de cuisson peuvent varier en fonction de facteurs tels que la taille de la charge, de la température des aliments et du mélange de la recette, en particulier, de son humidité. Lorsque l'on a établi des temps et des températures de cuisson satisfaisants pour les aliments, il est bon de les noter sur un tableau et de les garder comme guide de référence. Bien préchauffer le four avant son utilisation. Pour atteindre 350 °F, il faut compter environ 20 minutes. Pour obtenir des résultats optimaux, le four doit être préchauffé pendant 30 minutes afin d'assurer une bonne saturation de la chaleur. Les charges doivent être centrées sur les grilles

## Instructions D'installation Pour Le Montage Des Unités A Deux Sections Et Étagère Haute De La Série 36E

- Les deux (2) fils enroulés sur la section supérieure droite de la salamandre et entrer dans le compartiment de câblage.
- Fixer les deux (2) fils au bornier comme indiqué dans le schéma de câblage joint.
- Remettre en place le panneau de commande de la salamandre, retiré à l'étape 7.
- Un panneau arrière de boîtier des brûleurs, qui est installé à l'arrière de la cuisinière, est fourni avec la salamandre. Ce panneau couvre l'arrière du boîtier des brûleurs, où sont fixés les supports de montage. Utiliser les vis d'assemblage pour fixer ce panneau à l'arrière de la cuisinière.



- L'arrière de l'appareil doit être facilement accessible.
- Retirer le boulon à tête plate «A» de chaque côté de l'étagère haute uniquement lorsque celle-ci est installée à côté d'une étagère haute de salamandre.
- Bien fixer le dossier et l'étagère haute sur l'arrière de la cuisinière en faisant glisser les brides de soutien dans l'ouverture sur le côté du boîtier des brûleurs.
- Bien fixer les brides de soutien aux côtés du boîtier des brûleurs à l'aide de quatre (4) vis à métaux à tête bombée 1/4 - 20x3/4 po ou de quatre (4) vis à tôle Phillips #10B x 1/2. Un ensemble de quincaillerie est fourni.
- Retirer le panneau inférieur avant de l'étagère haute.
- Remettre en place les boulons à tête plate retirés à l'étape 2 de façon à ce que chaque étagère haute soit boulonnée à l'étagère voisine au point «A».
- Remettre en place le panneau inférieur avant de l'étagère haute.

## Ventilation

L'installation d'un système de ventilation adéquat est conseillée pour tous les appareils commerciaux électriques de cuisson. Pour plus de renseignements, consulter les normes «Vapor Removal From Cooking Equipment» de la National Fire Protection Association.

**Entrée D'alimentation Principale**

L'appareil dispose de deux (2) entrées possibles, prévues comme suit :

1. Par le fond de l'appareil. L'axe de l'entrée inférieure se trouve à 8 3/4 po et à 5 po de la base avant. Si un conduit est utilisé, prévoir une rallonge de 8 1/2 po pour les appareils installés avec des pieds réglés à une hauteur de 6 po, une rallonge de 5 po lorsque les pieds sont réglés à la hauteur minimale et une rallonge de 3 po si les pieds ne sont pas montés.

2. Par l'arrière de l'appareil L'axe de l'entrée arrière se trouve à 11 po du côté gauche et à 2 po de la base de l'appareil.

**Bornier**

Le bornier, ainsi que la broche de mise à la terre, sont montés dans le compartiment des fusibles derrière le panneau inférieur avant. Pour retirer le panneau, desserrer les vis et le sortir en le levant vers l'extérieur en passant la main dans les lamelles. Tous les appareils sont équipés de disjoncteurs et comportent un panneau devant le bornier.

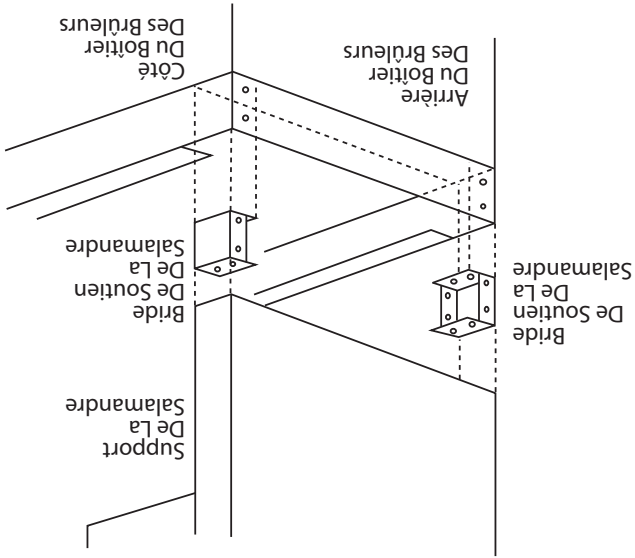
**Joint De Scellement Sanitaire Du Dessus Du Comptoir**

Lorsqu'une rôtissoire ou une section « T » (section supérieure) est installée sans les pieds sur un dessus de comptoir, il impératif qu'elle soit complètement scellée sur le pourtour de sa base à l'aide d'un produit de scellément au silicone conformément aux normes N.S.F.

**Montage En Batterie**

Toutes les unités doivent être placées dans leurs positions respectives dans la batterie. Enlever tout le matériel d'emballage. Le revêtement de protection des surfaces en acier inoxydable doit également être retiré. Mettre chaque appareil de niveau avec le plateau de cuisson en réglant les pieds. Lorsque les pieds ne sont pas utilisés, l'appareil doit être mis de niveau à l'aide de cales. Utiliser un niveau à bulle et mettre l'appareil de niveau dans les quatre (4) directions : depuis l'avant vers l'arrière et depuis l'arrière vers l'avant des deux côtés - gauche et droit. Les deux (2) boulons à tête hexagonale de 5/16 po et les écrous portant l'inscription «Remove and use for Banking» doivent être retirés et utilisés pour l'assemblage des appareils entre eux en passant par les orifices aux extrémités du dessus supérieur avant et du dossier principal arrière.

**Instructions D'installation Pour Le Montage Des Appareils Des Séries ER36 (Salamandre) À 36"**



1. L'arrière de la cuisinière doit être facilement accessible.
2. Installer les brides de soutien de la salamandre sur la cuisinière en les faisant glisser dans l'ouverture latérale du boîtier des brûleurs de façon à ce que la bride de soutien de la Salamandre se place sur le dessus du montant 10-24 de la cuisinière. Bien serrer avec l'écrou hexagonal de 10-24 et la rondelle de blocage.
3. Bien fixer les brides de soutien de la Salamandre à l'arrière du boîtier des brûleurs avec les vis à métaux à tête bombée de 1/4 - 20 x 3/4 po, les écrous hexagonaux et les rondelles de blocage.
4. Retirer le panneau inférieur avant de la salamandre.
5. Placer la salamandre sur l'arrière de la cuisinière en alignant les trous dans les brides de soutien de la salamandre avec les trous de la cuisinière.
6. Bien fixer la salamandre à la cuisinière en utilisant les vis à métaux à tête hexagonale de 5/16 - 18 x 1, les écrous hexagonaux et les rondelles. Remettre en place le panneau inférieur avant de la salamandre retiré à l'étape 4.
7. Enlever le panneau de commande de la salamandre.

# INSTALLATION

## Dégagements Et Réglage

DÉGAGEMENTS		MUR COMBUSTIBLE	
TYPE DE MODÈLE	CÔTÉS		ARRIÈRE*
	Cuisinières Et Attechements Des Cuisinières	3 po (76mm)	1/2 po (13mm)
Cuisinières Avec Rôtissoires	6 po (152mm)	2 po (51mm)	

\* Le dégagement arrière pour les modèles bas de four de convection est 2" (51 mm).

Un emplacement correct de la cuisinière rendra son utilisation plus facile et assurera de meilleures performances. Un dégagement adéquat doit être prévu pour l'entretien, la ventilation et un fonctionnement correct. La cuisinière doit être dégagée et éloignée des matériaux combustibles.

## Pieds

Tous les appareils sont expédiés avec des pieds homologués par la N.S.F. Ces pieds doivent être installés pour assurer un dégagement minimal de 6 po entre le sol et le bas de l'appareil afin de répondre aux exigences de la National Sanitation Foundation.

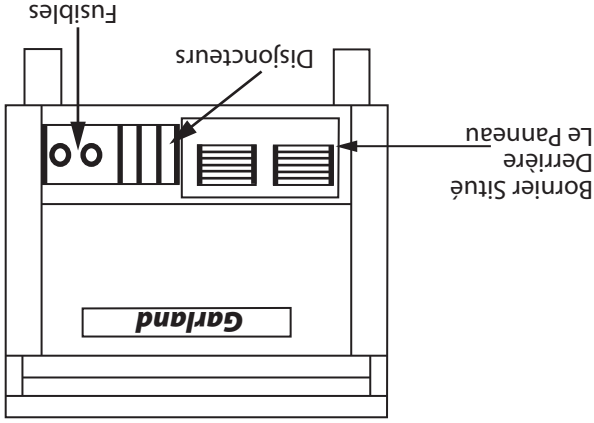
1. Placer l'appareil à son emplacement final.

2. Soulever l'arrière et le bloquer. Placer l'insert dans le cône du pied. Taper avec un mallet jusqu'à ce que l'insert soit appuyé contre la bride à coller. L'appareil peut ensuite être mis de niveau en réglant la partie hexagonale de l'insert. Recommencer pour les quatre pieds.

## Connexion Electrique

Avant de procéder à toute connexion électrique, vérifier la plaque signalétique pour s'assurer que les caractéristiques électriques de l'appareil et celles de la ligne d'alimentation correspondent.

Les appareils GARLAND de série 36E sont conformes à la norme CSA C22.2 n° 109 – dernière édition, la norme UL197 – dernière édition et la norme NSF#4 – dernière édition. L'installation et les connexions doivent être conformes aux codes en vigueur. Au Canada, le Code canadien de l'électricité, partie 1 et aux E.-U. le National Electrical Code.



## Disjoncteur Et Fusibles

Des disjoncteurs et des fusibles à usage intensif sont installés pour assurer de nombreuses années de fonctionnement sans problèmes. Ils se trouvent derrière le panneau inférieur avant.

## Schema De Câblage

IMPORTANT : La tension d'entrée et le nombre de phases doivent correspondre à la tension et au nombre de phases de l'appareil.

Le schéma de câblage est fixé au dossier principal de chaque appareil. Vérifier visuellement toutes les connexions électriques. Activer l'alimentation électrique de l'appareil. La cuisinière est câblée en série pour une alimentation triphasée. S'il est nécessaire de passer en monophasé, consulter les schémas de câblage. La plaque signalétique de l'appareil se trouve derrière le panneau inférieur avant.

1. Taille du panneau de commande.
2. Protection contre les surcharges.
3. Type de câble.
4. Calibre de câble.
5. Limitations thermiques des câbles.
6. Méthode de connexion (câble, conduit, etc.).

## Informations Sur Le Produit

Les cuisinières de la série 36 sont destinées à une installation en batterie avec d'autres équipements de la série 36.

### Construction

La construction modulaire destinée à un usage intensif minimise l'utilisation de vis et de boulons difficiles à nettoyer à l'extérieur de la cuisinière. Le nettoyage est rendu plus facile et plus complet.

### Disjoncteurs

Livrés en série sauf pour les éléments ouverts. Des fusibles sont utilisés pour les éléments ouverts.

### Gouttières À Graisse

À l'avant et à l'arrière, elles permettent de capter les excès de graisse et les déversements. Elles se vident dans les collecteurs à graisse se trouvant sous le dessus de la cuisinière.

### Entretien

Le service et l'entretien se font complètement par l'avant de l'appareil.

### Base four

Le four de très grande capacité a une largeur de 26 1/2 po (667 mm), une profondeur de 29 po (736 mm) et une hauteur de 12 1/2 po (318 mm). Le thermostat à usage intensif avec veilleuse assure le contrôle de la température entre 200 et 500 °F (93 et 290 °C). L'élément haut de 3 kW et l'élément bas de 3,5 kW sont commandés chacun par un commutateur à 3 positions de chauffage pour mieux régler la température. Une crémaillère à usage intensif est livrée en série. Il est possible d'acheter d'autres en plus. La conception exclusive du flux thermique dans le four élimine les points chauds et assure l'homogénéité de la température du four. L'acier aluminé de l'intérieur du four réfléchit la chaleur vers l'aliment en cuisson et augmente la durée de vie de l'appareil. La porte et la section du four sont émaillées. La porte du four est de type à usage intensif, conçue pour supporter une charge supérieure à 250 lb (113 kg). Le réglage du ressort est facile à faire depuis l'avant de l'appareil.

### Base de rangement

Une base de rangement avec des portes en acier inoxydable est disponible.

## Dessus modulaire

Permettant le montage sur un support construit sur mesure.

### Ventilation

Toutes les cuisinières sont livrées avec une colonne d'évent haute de 3 po (76 mm). Une étagère haute à double section est disponible en larges alliant de 18 po (476 mm) à 22 po (1829 mm). La finition standard est pour le devant en acier inoxydable avec le dossier en chrome brossé et l'arrière à revêtement d'aluminium. La finition en option est en acier inoxydable pour les étagères, les côtés et l'arrière. On peut utiliser un ventilateur électrique de puissance suffisante tel que Vent Master adéquatement adapté à la cuisinière.

### Plaque Signalétique

Lors de toute correspondance avec l'usine, faire référence à l'appareil en donnant le numéro de modèle correct (comprenant les lettres et chiffres du préfixe et du suffixe) et le numéro de code ou de série. La plaque signalétique fixée au produit contient ces renseignements.

Avant d'essayer la connexion électrique, vérifier la plaque signalétique pour s'assurer que les caractéristiques électriques de l'appareil et celles de l'alimentation correspondent.

La plaque signalétique de l'appareil est située derrière le panneau inférieur avant.

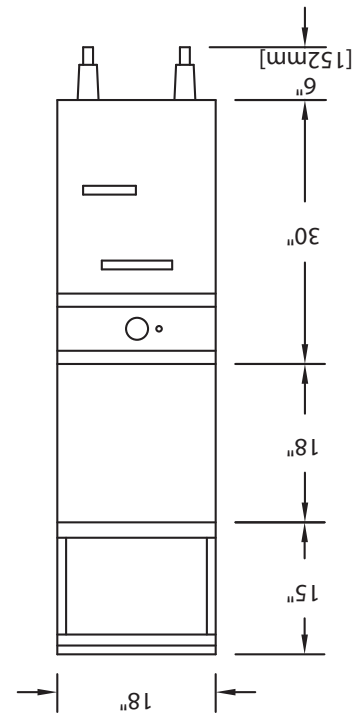
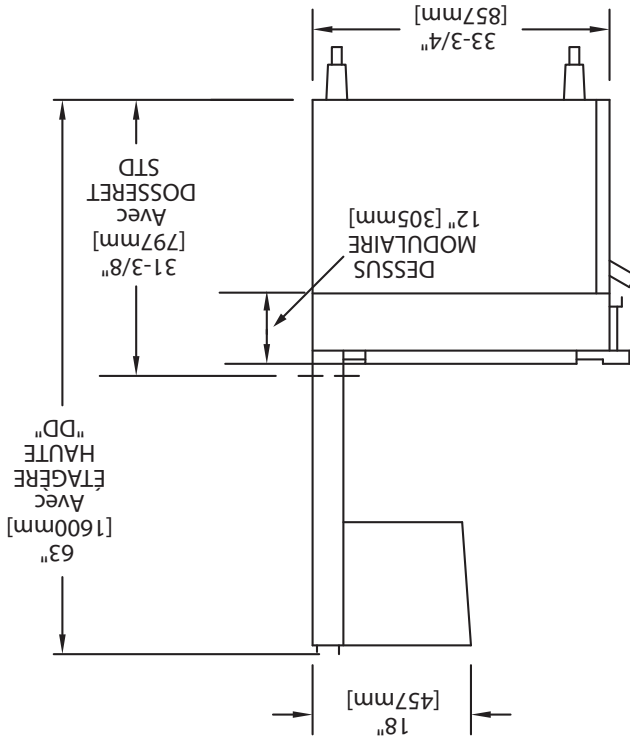
### Garantie Prolongée En Option

#### Garland,

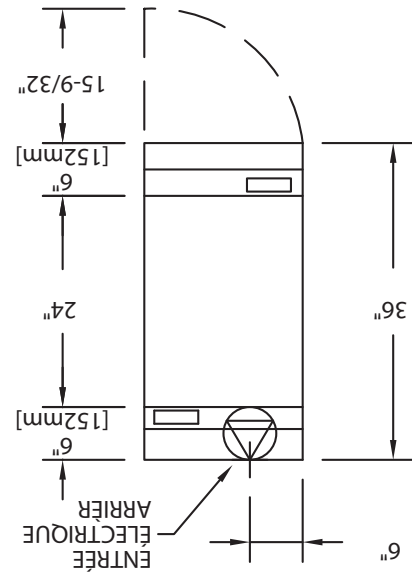
Avec sa tradition de qualité et de performances de ses équipements, vous offre à vous, son client, une garantie limitée supplémentaire d'un an en plus de notre couverture standard d'un an.

Cette couverture supplémentaire des pièces et de la main-d'œuvre peut être achetée au moment de toute commande d'équipement neuf ou dans les 60 jours qui suivent cet achat. Contacter le concessionnaire ou le centre d'entretien et de réparation (liste jointe) pour profiter de cette offre exceptionnelle.

Merci d'utiliser les équipements GARLAND. Vous servir est notre plaisir.



Les produits Garland ne sont pas agréés ni autorisés pour une utilisation personnelle ou rési-dentielle, mais sont destinés à des applications commerciales seulement. n'offre pas de services de réparation, garantie, entretien ou soutien de n'importe quelle sorte pour des applications autres que commerciales.



DÉGAGEMENTS		ENTRÉE		MUR COMBUSTIBLE	
EMBALLÉ	20-3/4 Po (527mm)	DÉBALLÉ	18-14" Po (9464mm)	CÔTÉS	3 Po (76mm)
ARRIÈRE	1/2 Po (13mm)				

DIAGRAMME ÉLECTRIQUE DE CHARGEMENT : MODÈLES 36S(ET) 16 ET 36-ES(ET) 15		
TENSION	TOTAL KW	460
		240
		208
AMPÉRAGE NOMINAL PAR LIGNE		6.00
MONOPHASE		6.00
		28.8
		25.0
		13.0

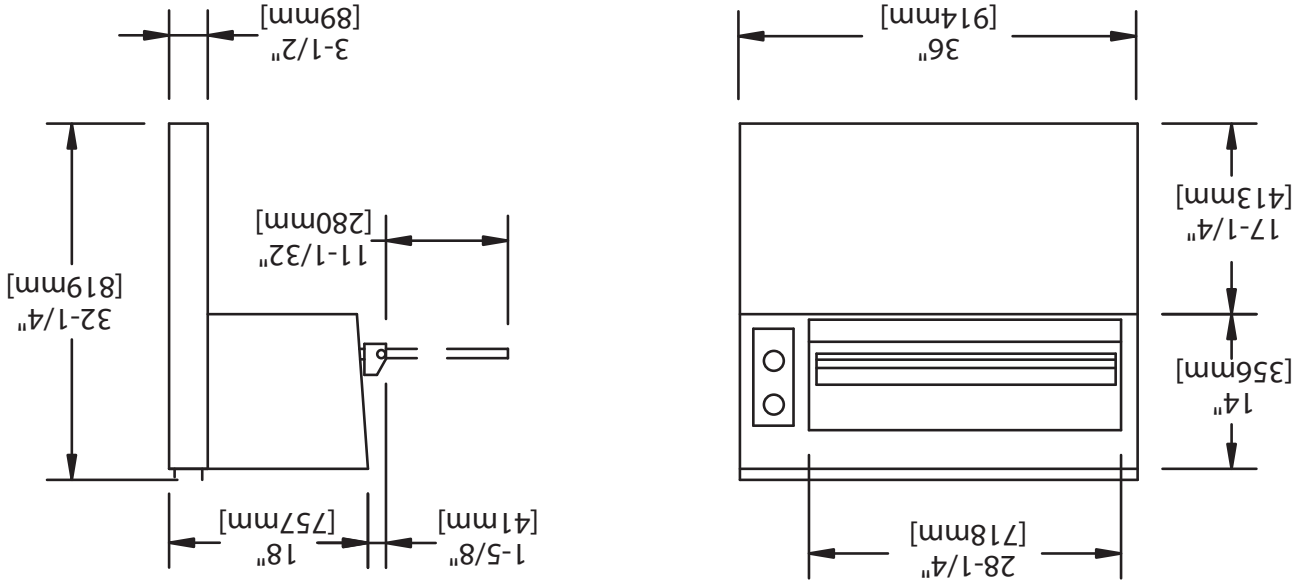
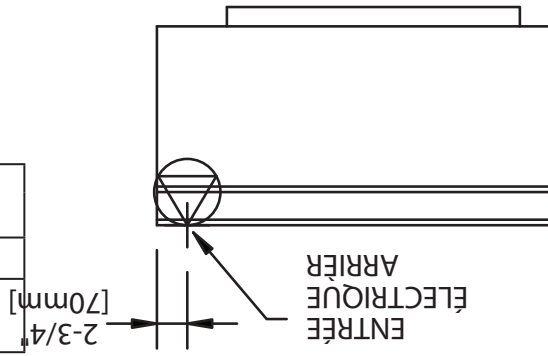
## DIMENSIONS ET SPÉCIFICATIONS, ATTACHEMENTS

# DIMENSIONS ET SPÉCIFICATIONS, RÔTISSOIRS ER36

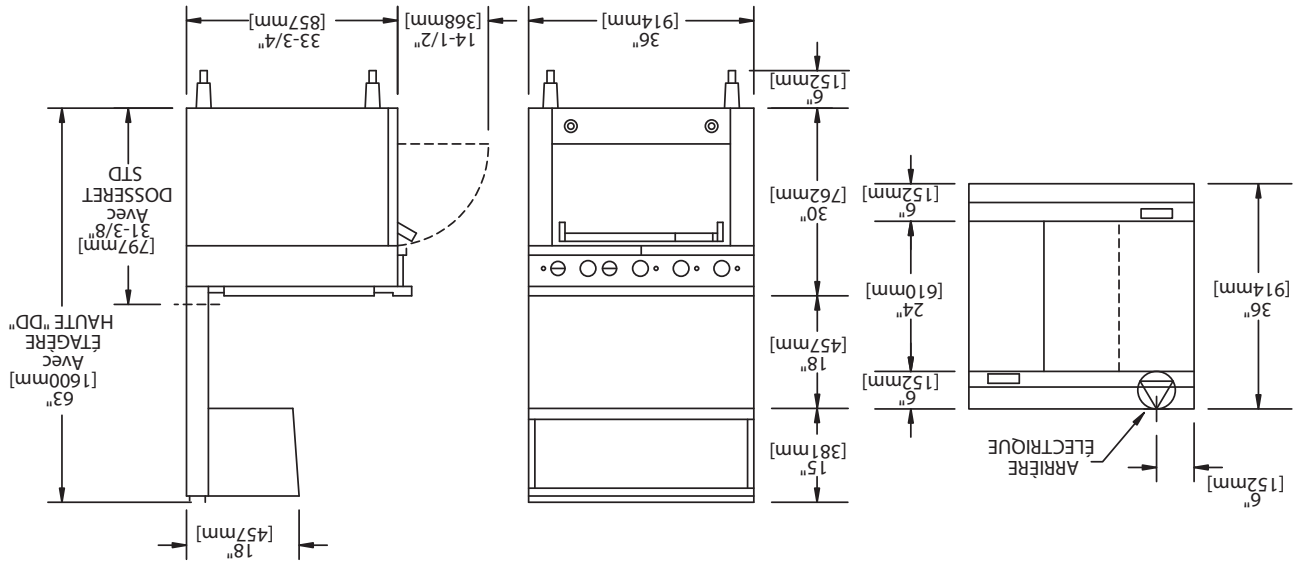
DIAGRAMME ÉLECTRIQUE DE CHARGEMENT : MODÈLE ER36		
TENSION	TOTAL KW	AMPÉRAGE NOMINAL PAR LIGNE
		208
240	7.00	29.2
460	5.51	12.0

NOTE : Quand les modèles ER36 sont câblés indépendamment de la cuisinière, ils sont seulement disponibles en tant que monophasé. Référez-vous aux diagrammes de câblage pour des données électriques de bâtiment détaillé de la cuisinière.

DÉGAGEMENTS PAR RAPPORT AUX MURS COMBUSTIBLES		
Gauche Côté	6 Po (152mm)	
Droite Côté	4-1/2 Po (114mm)	
Arrière	1/2 Po (13mm)	







1 dégagement arrière pour des fours de convection est 2 Po (51mm)

<b>DÉGAGEMENTS</b>		<b>ENTRÉE</b>	
<b>MUR COMBUSTIBLE</b>	<b>CÔTES</b>	<b>DÉBALLÉ</b>	<b>EMBALLÉ</b>
1/2 Po (13mm)	3 Po (76mm)	36-1/4 Po (921mm)	41-1/4 Po (1048mm)
<b>ARRIÈRE</b>			

ERC= Base De Four À Convection

Note pour le nombre du modèle : ER= Base De Four, ET= Plaque De Cuisson Modulaire, ES=Base De Rangement,

MODÈLE	TOTAL KW	TRIPHASE KW PAR PHASE			MONOPHASE			AMPÉRAGE NOMINAL PAR LIGNE								
		X-Y	Y-Z	X-Z	208V	240V	460V	X	Y	Z						
36ER32, 36ER38	21.5	6.5	5	10	103	91	47	69	48	64	61	43	56	31	22	28
36ER32-3 36ER33-88	20.7	6.5	1.2	10	99	88	NA	69	45	60	61	40	53	NA	NA	NA
36ER33	19.1	6.5	4.2	8.4	92	81	NA	62	45	54	55	40	47	NA	NA	NA
36ER33-99	18.7	4.2	8	6.5	90	79	NA	45	52	61	40	45	54	NA	NA	NA
36ER35, 36ER36	18.5	6.5	6	6	89	78	40	53	53	51	46	46	24	24	23	23
36ER39	18.5	6.5	4	8	89	79	40	61	45	50	54	39	45	28	20	23
36ET32, 36ET38	15	5	5	5	72	64	33	42	42	42	37	37	19	19	19	19
36ET/ES2-3, 36ET/ES33-88	14.2	5	4.2	5	68	60	NA	42	39	39	37	34	NA	NA	NA	NA
36ET/ES33	12.6	4.2	4.2	4.2	61	53	NA	35	35	35	31	31	NA	NA	NA	NA
36ET/ES33-99	12.1	4.2	4	4	58	52	NA	35	35	34	31	31	NA	NA	NA	NA
36ET/ES35, 36ET/ES36	12	0	6	6	58	51	26	29	29	51	25	25	13	13	23	23
36ET/ES39	12	4	4	4	58	51	26	34	34	34	30	30	15	15	15	15
36ERC32	20.4	5.4	5	10	98.1	85	NA	65	44	63	56	38	NA	NA	NA	NA
36ERC32-3	19.6	5	4.6	10	94.2	81.7	NA	44	40	61	38	35	NA	NA	NA	NA
36ERC33	18	5	4.6	8.4	86.5	75	NA	56	40	55	49	35	47	NA	NA	NA
36ERC33-88	19.6	5	4.6	10	94.2	81.7	NA	63	40	61	55	35	NA	NA	NA	NA
36ERC33-99	17.6	8.2	4.4	5	84.6	73.3	NA	56	53	40	48	46	NA	NA	NA	NA
36ERC35	17.4	5	6	6.4	83.7	72.5	NA	52	46	44	45	40	NA	NA	NA	NA
36ERC36	17.4	5.4	6	6	83.6	72.5	NA	48	48	50	42	42	NA	NA	NA	NA
36ERC38	20.4	5	5.4	10	98.1	85	NA	63	44	65	55	38	NA	NA	NA	NA
36ERC39	17.4	5.4	4	8	83.7	72.5	NA	56	40	58	49	34	NA	NA	NA	NA

# TABLE DES MATIÈRES

11	FONCTIONNEMENT	2	INFORMATIONS IMPORTANTES
11	Fours	4	CUISINIÈRES SÉRIE 36E
11	Commandes	4	DIMENSIONS ET SPÉCIFICATIONS,
11	Préchauffage	5	DIMENSIONS ET SPÉCIFICATIONS,
11	Généralités	5	RÔTISSOIRES ER36
11	Four À Convection De Cuisinière (RC)	5	DIMENSIONS ET SPÉCIFICATIONS,
11	Fonctionnement Du Four À Convection	6	ATTACHEMENTS
12	De Base De Cuisinière	6	INFORMATIONS GÉNÉRALES
12	Problèmes/Solutions	7	Informations Sur Le Produit
13	Entretien Du Moteur	7	Plaque Signalétique
13	Sections Supérieures	7	Garantie Prolongée En Option
13	Plaque De Cuisson – Brûleurs Du Type	7	INSTALLATION
13	Ouvert	8	Dégagements Et Réglage
13	Plaques À Bouillir	8	Pieds
14	Plaques Tout Usage	8	Connexion Électrique
14	Plaques Gril	8	Schéma De Câblage
14	Fonctionnement De La Section Grilloir	8	Disjoncteur Et Fusibles
15	ENTRETIEN ET NETTOYAGE	8	Entrée D'alimentation Principale
15	Finis Peints	9	Borner
16	Acier Inoxydable	9	Joint De Scellement Sanitaire Du Dessus
16	Revêtement Intérieur De La Porte Du Four Et	9	Du Comptoir
16	De La Section Du Four (Émail Vitrifié)	9	Montage En Batterie
16	Nettoyage Intérieur Des Surfaces	9	Instructions D'installation Pour Le Montage
16	En Acier Aluminium	9	Des Appareils Des Séries ER36 (Salamandre)
17	Nettoyage Et Entretien Des Brûleurs	9	À 36E
17	Chauffants Des Plaques	9	Instructions D'installation Pour Le Montage
17	Nettoyage Du Gril, Des Plaques Tout Usage	10	Des Unités À Deux Sections Et Étagère Haute
17	Et Des Plaques À Bouillir	10	De La Série 36E
17	Section Grilloir	10	Ventilation
18	SCHEMAS DE CÂBLAGE		

## **INFORMATIONS IMPORTANTES**

**AVERTISSEMENT**

Ce produit contient des produits chimiques reconnus par l'état de Californie comme causant le cancer et/ou des malformations congénitales ou d'autres problèmes de reproduction. L'installation et l'entretien de ce produit peut vous exposer aux poussières de laine de verre/fibres céramiques. L'inhalation de ces particules de laine de verre ou de fibres céramiques est reconnue par l'état de Californie comme causant le cancer.



**MANUEL D'UTILISATION ET  
D'INSTALLATION  
CUISINIÈRES ET  
RÔTISSOIRS ÉLECTRIQUES  
PROFESSIONNELLES  
SÉRIE 36E DE GARLAND**



**POUR VOTRE SÉCURITÉ:**  
NE PAS STOCKER NI UTILISER D'ESSENCE  
OU D'AUTRES VAPEURS OU LIQUIDES  
INFLAMMABLES À PROXIMITÉ DE CET  
APPAREIL OU DE TOUT AUTRE APPAREIL

**AVERTISSEMENT**  
UNE INSTALLATION, DES RÉGLAGES, DES  
MODIFICATIONS, DES RÉPARATIONS OU UN  
ENTRETIEN MAL FAITS PEUVENT CAUSER  
DES DOMMAGES MATÉRIELS, DES BLES-  
SURES OU LA MORT. LIRE SOIGNEUSE-  
MENT LES INSTRUCTIONS D'INSTALLATION,  
D'UTILISATION ET D'ENTRETIEN  
AVANT D'INSTALLER OU DE RÉPARER  
L'ÉQUIPEMENT.



LIRE TOUTES LES SECTIONS DU PRÉSENT  
MANUEL ET LE CONSERVER POUR S'Y REPORTER  
ULTÉRIEUREMENT.

CE PRODUIT A ÉTÉ HOMOLOGUÉ EN TANT  
QU'ÉQUIPEMENT PROFESSIONNEL DE CUISSON  
ET DOIT ÊTRE INSTALLÉ PAR DU PERSONNEL  
PROFESSIONNEL TEL QUE SPÉCIFIÉ.

L'INSTALLATION ET LES CONNEXIONS  
DEVONT ÊTRE CONFORMES AUX CODES EN  
VIGUEUR: AU CANADA – LE CODE CANADIEN  
DE L'ÉLECTRICITÉ, PARTIE 1 ET/OU LES CODES  
LOCAUX. AUX É.-U. – LE NATIONAL ELECTRICAL  
CODE ANSI / NFPA – ÉDITION EN VIGUEUR.

VÉRIFIER QUE L'ALIMENTATION ÉLECTRIQUE  
EST CONFORME AUX CARACTÉRISTIQUES  
ÉLECTRIQUES FIGURANT SUR LA PLAQUE  
SIGNALÉTIQUE.

L'attention des utilisateurs est attirée sur le fait que l'entretien et les réparations doivent être effectués par un agent d'entretien autorisé par Garland utilisant des pièces de rechange d'origine Garland. Garland n'aura aucune obligation en ce qui concerne quel produit mal installé, réglé, utilisé ou qui n'aurait pas été entretenu conformément aux codes nationaux et locaux ou aux instructions d'installation fournies avec le produit ou n'importe quel produit dont le numéro de série aurait été mutile, oblitéré ou supprimé ou qui aurait été modifié ou réparé avec des pièces non autorisées ou par des agents d'entretien non autorisés. Pour obtenir la liste des agents de service autorisés, consulter le site web de Garland à : <http://www.garland-group.com>. Les renseignements contenus dans le présent document (y compris la conception et les spécifications des pièces) peuvent être remplacés ou modifiés sans préavis.

GARLAND COMMERCIAL INDUSTRIES, LLC  
185 East South Street  
Freeland, Pennsylvanie 18224  
Téléphone : (570) 636-1000  
Télécopieur : (570) 636-3903

GARLAND COMMERCIAL RANGES, LTD.  
1177 Kamato Road, Mississauga, Ontario L4W 1X4  
CANADA  
Téléphone : 905-624-0260  
Télécopieur : 905-624-5669