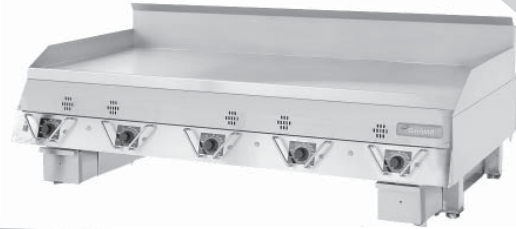




Master Gas F Series Production Griddle —Front Drain

models

CG-48F / 60F / 72F



CG-60F, shown with optional
4" (102mm) adjustable legs.



SONIC Sonic CG-60F, shown with stand and
landing shelf, supplied by others.

PARTS LIST

Parts & Service

T (USA & Canada): 1 800 427 6668

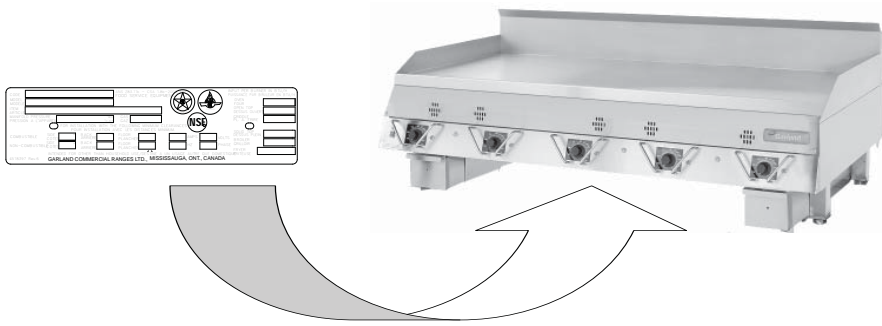
F (USA & Canada): 1 800 361 7745

www.Garland-Group.com

Garland Commercial Ranges, Ltd.
1177 Kamato Road
Mississauga, Ontario L4W 1X4 Canada
www.Garland-Group.com

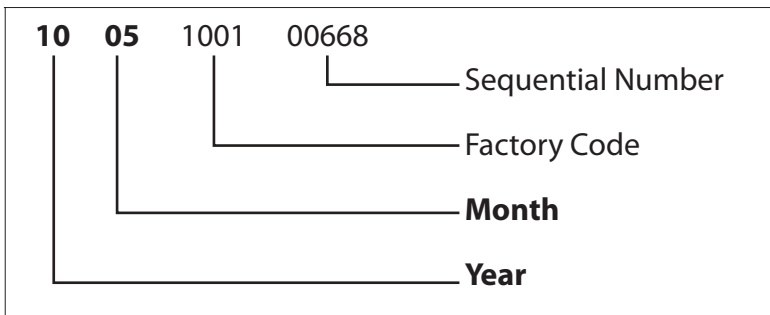


Rating Plate Location



Serial# - Year/Month Information

The Serial Number is **13 Digits** long and is stamped on the Rating Plate.
See "Rating Plate Location".



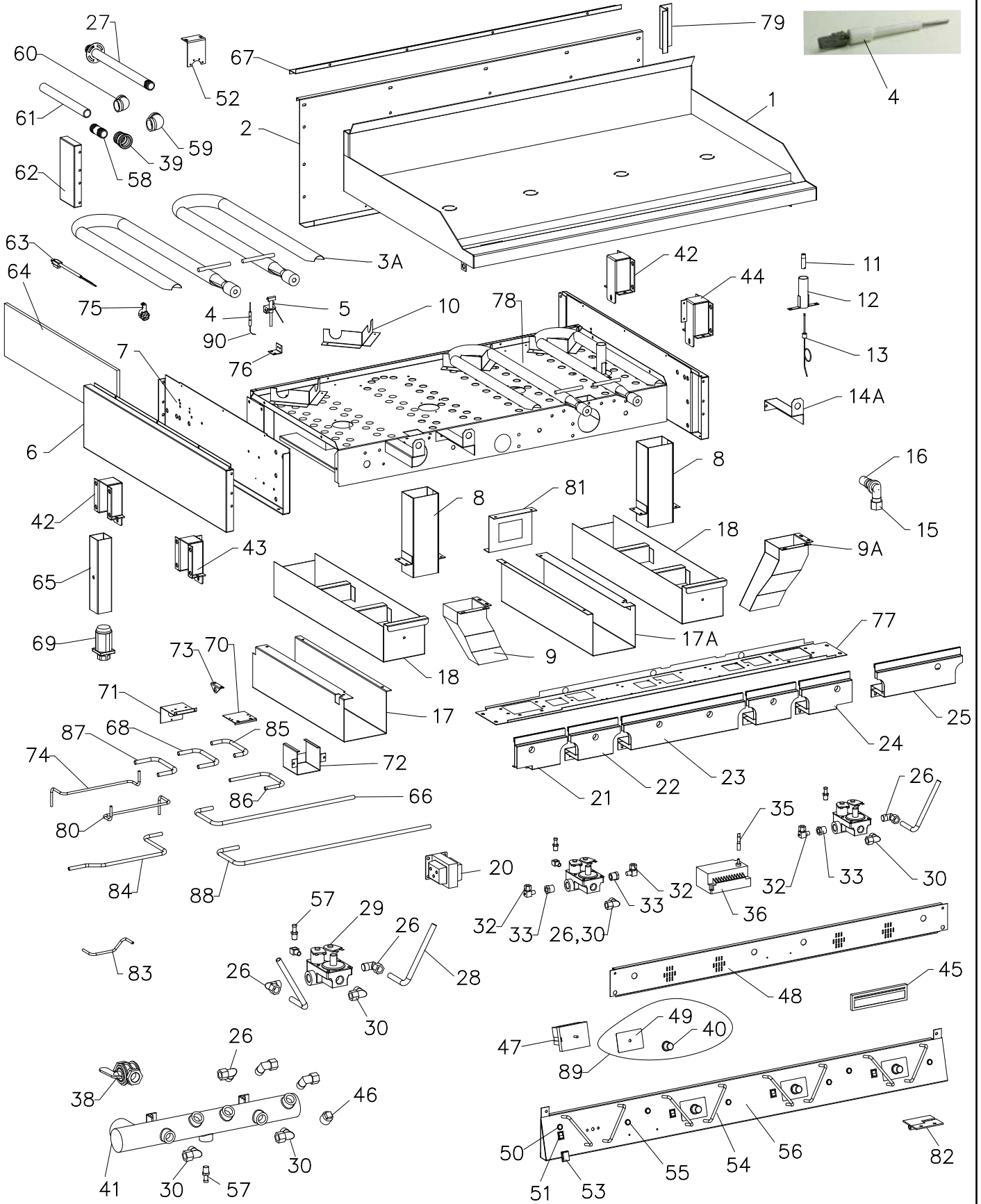


Master Gas Production Griddle F Series — Front Drain

models **CG - 48F/ 60F/ 72F**

Contents

Rating Plate Location & Serial Number (Year/Month) Information	2
Chain Griddle Components (all models)	4
Revision History	7



GARLAND PART IDENTIFICATION
Master Gas F Series Production Griddle—Front Drain
CG-48F / 60F / 72F

ITEM	PART #	DESCRIPTION	MODELS			CRITICAL PARTS
			CG48F	CG60F	CG72F	
1	2648199	Griddle Assembly 48"	1			
	4520530	Griddle Assembly 60"		1		
	4520591	Griddle Assembly 72"			1	
2	2647300	Flue Panel	1			
	4520484	Flue Panel		1		
	4520595	Flue Panel			1	
3A	2405203	CG Burner Assembly – Left With Bracket	2	2	3	C
	2405202	CG Burner Assembly – Right With Bracket	2	3	3	C
3B*	4523316	Kit – CG Burner – RH				C
	4523317	Kit – CG Burner – LH				C
	Units manufactured before S/N 07071001000010 will require the above burner kits					
4	1466100	Flame Sensor (Sensor Wire not included, see item # 90.)	2	3	3	
5	2290404	Pilot Assembly - Natural	2	3	3	C
	2290401	Pilot Assembly - Propane	2	3	3	C
6	4520489	Main Side Assembly	2	2	2	
7	4520487	Body End Assembly - Left	1	1	1	
	4520488	Body End Assembly - Right	1	1	1	
8	2648099	Grease Chute Assembly	2	2	2	
9	4520477	Grease Chute Extension - Left	1	1	1	
9A	4520478	Grease Chute Extension - Right	1	1	1	
10	2408900	Rear Burner Support	4	5	6	
11	2423600	Bayonet Adapter	4	5	6	
12	2400699	Probe Shield Assembly	4	5	6	
13	4522537	Kit "J" Thermocouple w/Thermal Compound	4	5	6	C
	Note: Kit Includes "J" Thermocouple Bayonet Mount P/N 2423501 & Thermal Compound P/N 4522185.					
13A*	4522185	Thermal Compound - 4 grams 120-SA				
14	2403000	Double Burner Mounting Bkt	4	5	6	
15	2431900	Orifice Fitting	4	5	6	
16	M8-38	Orifice Hood - Natural	4	5	6	
	M8-52	Orifice Hood - Propane	4	5	6	
17	4520475	Grease Drawer Slide - Left	1	1	1	
17A	4520476	Grease Drawer Slide - Right	1	1	1	
18	4520461	Grease Drawer Assembly	2	2	2	
20	G03559-1	Transformer - 120V	1			C
	2283700	Transformer - 208V - 240V	1			C
	2582500	Transformer - 115V - 208V - 240V		1	1	C
21	4520470	End Radiation Shield Assembly - Left	1	1	1	
22	4520472	Double Burner Radiation Shield Assembly	2	1	3	
23	4520469	Double Radiation Shield Assembly	1	2	2	
24	4520471	End Radiation Shield Assembly - Right	1	1	1	
25	4520486	Burner Shield Assembly End		1		
26	076050-26	3/8" X 3/8" Comp. Elbow	6	8	8	
27	4520480	Nipple Assembly	1	1	1	
28	4520490	3/8" Dia. Tubing Solenoid - Orifice	4	5	6	
29	2405100	Gas Control/Regulator - Natural 60 Hz	3	4	5	C
	2405102	Gas Control/Regulator - Natural 50 Hz	3	4	5	C
	2405101	Gas Control/Regulator - Propane 60 Hz	3	4	5	C
	2405103	Gas Control/Regulator - Propane 50 Hz	3	4	5	C
30	G02352-1	7/16"cc X 3/8"N.P.T.Comp.Elbow	4	6	6	

* NOT ILLUSTRATED

RECOMMENDED STOCK PARTS

GARLAND PART IDENTIFICATION
Master Gas F Series Production Griddle—Front Drain
CG-48F / 60F / 72F

ITEM	PART #	DESCRIPTION	MODELS			CRITICAL PARTS
			CG48F	CG60F	CG72F	
32	076050-80	Compression Elbow 1/4T X 1/8P #69-4A	2	3	3	
33	076029-144	3/8" x 1/8" Reducing Bushing	2	3	3	
35	2043600	Spark Plug Connector	2	3	3	
36	4531250	Ignition Module 3-Tries Service Kit Note: Use this kit for any units built before June 8/2010. Ignition Module 2152700 is no longer available. Kit includes Ignition Module 4530025, Ground Wire CK4531249 for ground the pilot bracket, lock nuts, and instructions.	2	3	3	C
	4530025	Ignition Module - 3 Tries Fenwal Note: For any units built after (date) June 9/2010 (model) CG-72R-0016 (serial#) 1006100100101.	2	3	3	C
38	G01518-1	Shut-Off Valve	1	1	1	
39	2437100	1" - 3/4" Reducing Adapter	1	1	2	
40	4516733	Dial w/Pointer	4	5	6	
41	2411099	Manifold Assembly	1	1	1	
42	3063100	Leg Mount	2	2	2	
43	3063198	Leg Mount Assembly Left	1	1	1	
44	3063199	Leg Mount Assembly Right	1	1	1	
45	4529725	Nameplate - Garland	1	1	1	
46	G01747-3	3/8" Pipe Plug	2	1		
47	2432000	Electronic Thermostat	4	5	6	C
48	4520566	Upper Front Panel 48	1			
	4520482	Upper Front Panel 60		1		
	4520593	Upper Front Panel 72			1	
49	4515805	Dial Scale - Degrees Fahrenheit	4	5	6	
50	G04055-2	Green Indicator Light	3	4	4	
51	2423301	Main Power Switch	1	1	1	C
52	4520479	Manifold Support Bracket	1	1	1	
53	2423400	Protection Cap	1	1	1	
54	2432100	Handle (Knob Guard)	8	10	12	
55	G04055-1	Amber Indicator Light	4	5	6	
56	4520567	Lower Front Panel Assembly	1			
	4520483	Lower Front Panel Assembly		1		
	4520594	Lower Front Panel Assembly			1	
57	G02251-1	Test Spigot	4	5	6	
58	G01738-4	3/4" NPT x 2 1/2" Nipple	1	1	1	
59	G01474-3	3/4" NPT to 1" NPT 90° Elbow Reducer			1	
60	G01474-5	3/4" NPT Elbow			1	
61	G01738-20	3/4" NPT x 10 5/8" Nipple			1	
62	2674400	Bracket - Rear Standoff	2	2	2	
63	4523399	Power Cord 9Ft - 3/14GA 15 Amps SJ00W	1	1	1	
64	078100-15	32.5" x 8" x 0.5" Insulation	2	2	2	
65	3073602	Griddle Leg	4	4	4	
66	4520492	7/16" Dia. Tubing Solenoid - Manifold Left	1	1	1	
67	4520569	Flue Filler 48	1			
	4520473	Flue Filler 60		1		
	4520592	Flue Filler 72			1	
68	4520576	7/16" Dia. Tubing Solenoid - Manifold			1	
69	G02954-1	Leg Bullet	4	4	4	
70	2437500	Transformer Support Bracket (G03559-1)	1	1	1	
70A	2501400	Transformer Support Bracket (2283700) Export	1			

* NOT ILLUSTRATED

RECOMMENDED STOCK PARTS

GARLAND PART IDENTIFICATION
Master Gas F Series Production Griddle—Front Drain
CG-48F / 60F / 72F

ITEM	PART #	DESCRIPTION	MODELS			CRITICAL PARTS
			CG48F	CG60F	CG72F	
71	2501200	Electrical Box - Top	1			
	2659300	Electrical Box - Top		1	1	
72	2501300	Electrical Box - Bottom	1			
	2659200	Electrical Box - Bottom		1	1	
73	2452800	Restraining Bracket	2	2	2	
74	4520494	1/4" Dia. Tubing - Solenoid - Pilot Left	1	1	2	
75	G01497-1	Strain Relief	1	1	1	
76	2426700	Pilot Bracket	2	3	3	
77	4520568	Valve Panel	1			
	4520485	Valve Panel		1		
	4520596	Valve Panel			1	
78	2516702	Body Frame	1			
	2516703	Body Frame		1		
	2516704	Body Frame			1	
79	4520481	Flue Spacer	3	3	5	
80	4520495	1/4" Dia. Tubing - Solenoid - Pilot Right	1		1	
81	2432900	Grease Tray Slide Support	2	2	2	
82	2471400	Hinge set w/Holes - Lower Front Panel Assembly	2	2	2	
83	4520496	1/4" Dia. Tubing - Solenoid - Pilot Single Right		1		
84	4520497	3/8" Dia. Tubing - Solenoid - Manifold Right		1	1	
85	4520493	7/16" Dia. Tubing - Solenoid - Manifold Centre	1	1		
86	4520491	3/8" Dia. Tubing - Solenoid - Manifold Centre	1			
87	4520584	7/16" Dia. Tubing - Solenoid - Manifold Centre			1	
88	4520585	7/16" Dia. Tubing - Solenoid - Manifold Right			1	
89	4516847	Dial and Scale Kit	4	5	6	
90	4517368	Wire, Sensor (see item # 4)	2	3	3	

* NOT ILLUSTRATED

RECOMMENDED STOCK PARTS

REVISION HISTORY (CG XX F)				
REV	PAGE#	ITEM#	NOTES	DATE
8	5	13	Part # changed - was 2423501 (J Thermocouple)	Aug 7/09
		13A	New part # added.	
9	6	36	Part added for use with equipment manufactured after June 9, 2010.	Jun 17/10
10	6	36	<ul style="list-style-type: none"> Service Kit Part# changed from 4527306 to 4530028. New module 4530025 replaced module 4527002 as of: (date) Sep 23/11, (model) CG-48R-0036, (serial#) 1109100101108. 	Nov 21/11
		45	New Garland Nameplate 4529725 replaced the old 3077101.	
11	5	20	Transformer 2283700 replaced 1636000	Jan 13/12
12	4	4, 90	Flame sensor does not come with wire. Added illustration and made clear in description. Added item 90 for sensor wire part; was missing (set up as purchased part in 2004 PCO00086.	Sep 03/13
		36	Kit 4531250 replaced Kit 4530028, which was a replacement for 2152700. PCO06378.	



Master Gas F Series Production Griddle, Front Drain—CG xxF Parts List

Garland Commercial Ranges, Ltd.
1177 Kamato Road
Mississauga, Ontario L4W 1X4 Canada
www.Garland-Group.com

Parts & Service
1 800 427 6668 (Phone, US & Canada)
1 800 361 7745 (Fax, US & Canada)

