



## **A&W GAS CHAIN GRIDDLE**

*models* **CG-24/36/48/60RFB**

*out of production*

# **PARTS LIST**



Phone (US & Canada): 1 800 427 6668

Fax (US & Canada): 1 800 361 7745

<http://www.Garland-Group.com>



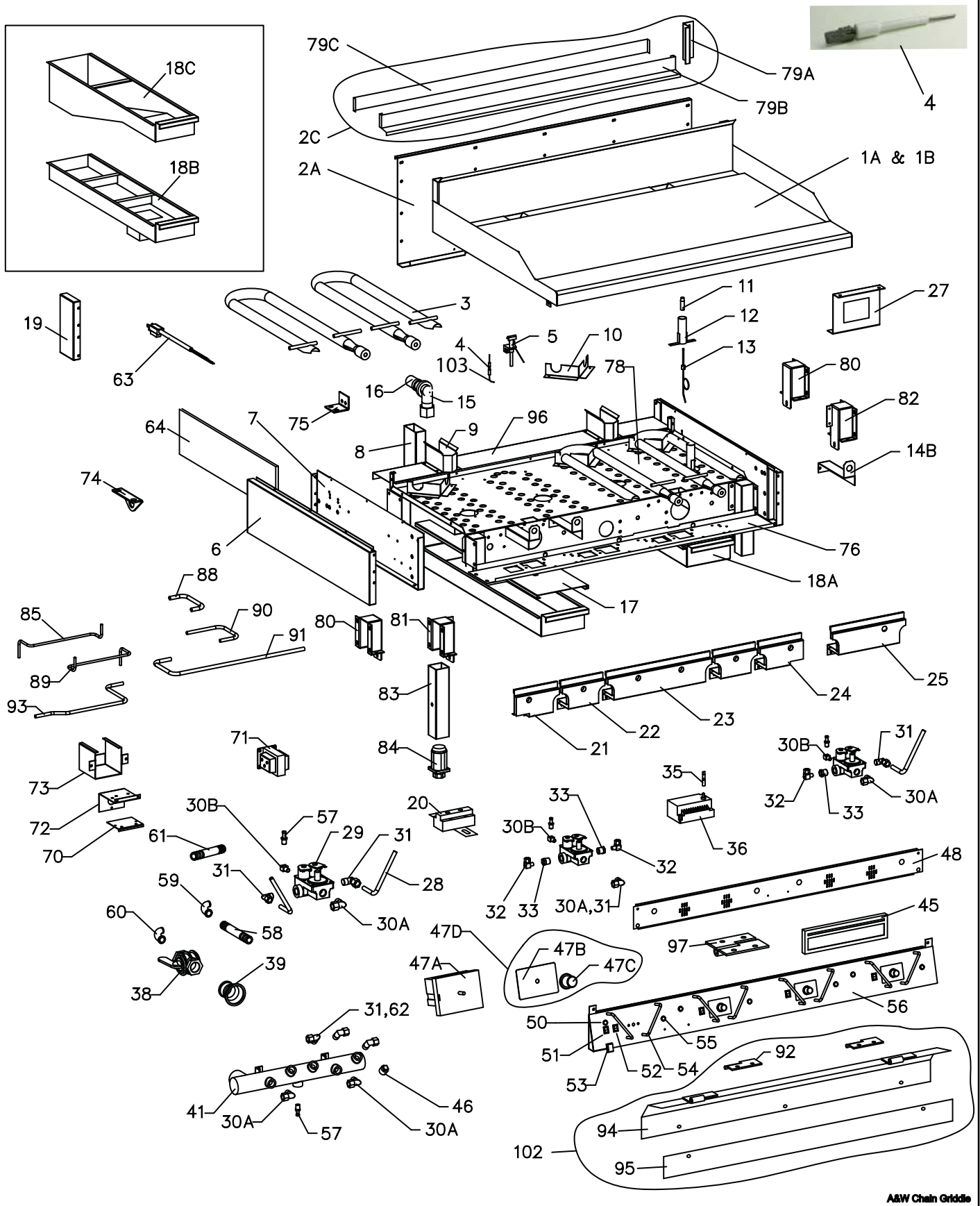


**A&W GAS CHAIN GRIDDLE**

*models* **CG-24/36/48/60RFB**

***Contents:***

Gas Chain Griddle Components.....Page 4  
Equipment Stands.....Page 8  
Revision History .....Page 10



## GARLAND PARTS IDENTIFICATION

### A&W Front Burner Gas Chain Griddle Components MODELS CG-24/36/48/60RFB

ITEM	PART#	DESCRIPTION	QUANTITY				CRITICAL
			24RFB	36RFB	48RFB	60RFB	
1A	2473699	Rear Standard Griddle Plate Assy 24"	1				
	2449699	Rear Standard Griddle Plate Assy 36"		1			
	2428699	Rear Standard Griddle Plate Assy 48"			1		
	2440999	Rear Standard Griddle Plate Assy 60"				1	
1B	2473698	Rear Griddle Assy 24" Satin (Option)	1				
	2449698	Rear Griddle Assy 36" Satin (Option)		1			
	2428698	Rear Griddle Assy 48" Satin (Option)			1		
	2440998	Rear Griddle Assy 60" Satin (Option)				1	
2A	2465600	Flue Panel	1				
	2449200	Flue Panel		1			
	2403500	Flue Panel			1		
	2440700	Flue Panel				1	
2C	4525607	Kit – CG Flue Extend 24" (Propane Gas Only)	1				
	4525608	Kit – CG Flue Extend 36" (Propane Gas Only)		1			
	4525609	Kit – CG Flue Extend 48" (Propane Gas Only)			1		
	4525610	Kit – CG Flue Extend 60" (Propane Gas Only)				1	
3	<b>4523314</b>	<b>CG Burner Assembly Natural FB – L/H</b>	1	1	2	2	C
	<b>4524177</b>	<b>CG Burner Propane FB – L/H Assembly</b>	1	1	2	2	C
	<b>4523313</b>	<b>CG Burner Assembly Natural FB – R/H</b>	1	2	2	3	C
	<b>4524176</b>	<b>CG Burner Propane, FB – R/H Assembly</b>	1	2	2	3	C
3A*	<b>Units manufactured before serial# 07071001000010 will require the following burner kits:</b>						
	<b>4523318</b>	<b>Kit – CG Burner Assembly Natural, FB – L/H</b>					C
	<b>4524182</b>	<b>Kit – CG Burner Propane FB – L/H</b>					C
	<b>4523319</b>	<b>Kit – CG Burner Assembly, Natural FB – R/H</b>					C
	<b>4524181</b>	<b>Kit – CG Burner Propane, FB – R/H</b>					C
4	<b>1466100</b>	<b>Flame Sensor</b> (Sensor Wire not included, see item # 103.)	1	2	2	3	C
5	<b>2290404</b>	<b>Pilot Assembly - Natural Gas</b>	1	2	2	3	C
	<b>2290401</b>	<b>Pilot Assembly - Propane Gas</b>	1	2	2	3	C
6	2513899	Side Panel Assembly	2	2	2	2	
7	2513798	Body End Assembly - Left	1	1	1	1	
	2513799	Body End Assembly - Right	1	1	1	1	
8	2401499	Rear Grease Chute Assembly	1	1	2	2	
9	2429900	Grease Chute Seal	1	1	2	2	
10	2408900	Rear Burner Support Griddle	2	3	4	5	
11	2423600	Bayonet Adapter	2	3	4	5	
12	2400699	Probe Shield Assembly	2	3	4	5	
13	<b>4522537</b>	<b>Kit "J" Thermocouple w/Thermal Compound</b> <b>NOTE:</b> Kit Includes a "J" Thermocouple Bayonet Mount P/N 2423501 & Thermal Compound P/N 4522185.	2	3	4	5	C
13A*	4522185	Thermal Compound, 4 Grams 120-SA (for item# 13)					
14B	2443000	Single Burner Mounting Bkt	2	3	4	5	
15	2431900	Orifice Fitting Assembly - (Orifice hood not included)	2	3	4	5	
16	<b>M8-38</b>	<b>Orifice Hood - Natural</b>	2	3	4	5	C
	<b>M8-52</b>	<b>Orifice Hood - Propane</b>	2	3	4	5	C
17	2429000	Pan Slide	1	1	2	2	
18A	2430099	Rear Grease Pan Assembly (Standard)	1	1	2	2	
18B	2430098	Rear Grease Pan Assembly w/ Grease Spout (Option)	1	1	2	2	
18C	2538399	Grease Drawer Assembly Deep (Option)	1	1	2	2	
19	2674400	Bracket Rear Standoff	2	2	2	2	
20	3050400	Miniature Terminal Block Assembly	1	1	1	1	
21	4520470	End Radiation Shield Assembly LH	1	1	1	1	
22	4520472	Double Burner Radiation Shield Assembly	1	1	2	1	
23	4520469	Double Radiation Shield Assembly			1	2	
24	4520471	End Radiation Shield Assembly RH	1	1	1	1	
25	4520486	Burner Shield Assembly End		1		1	
27	2432900	Grease Tray Slide Support	1	1	2	2	
28	<b>2439200</b>	<b>Burner Tube</b>	2	2	4	4	

\* NOT ILLUSTRATED

#### RECOMMENDED STOCK PARTS

**GARLAND PARTS IDENTIFICATION**

**A&W Front Burner Gas Chain Griddle Components MODELS CG-24/36/48/60RFB**

ITEM	PART#	DESCRIPTION	QUANTITY				CRITICAL
			24RFB	36RFB	48RFB	60RFB	
29	<b>2405100</b>	<b>Gas Control Regulator Natural 60Hz</b>	2	3	3	4	C
	<b>2405102</b>	<b>Gas Control Regulator Natural 50Hz</b>	2	3	3	4	C
	<b>2405101</b>	<b>Gas Control Regulator Propane 60Hz</b>	2	3	3	4	C
	<b>2405103</b>	<b>Gas Control Regulator Propane 50Hz</b>	2	3	3	4	C
30A	G02352-1	Elbow 3/8 NPT to 7/16cc	2	3	4	6	
30B	G01917-1	Elbow 1/8 NPT - STR Brass	2	2	2	3	
31	076050-26	Elbow Comp. 69-6C.3/8T X 3/8M.	4	3	6	8	
32	G03674-3	1/8" NPT Pilot Valve	1	2	2	3	
33	076029-1 44	Reducing Bushing 3/8 X 1/8	1	2	2	3	
35	2043600	Spark Plug Cover	1	2	2	3	
36	<b>2152700</b>	<b>Ignition Control - No Longer Available To service an equipment manufactured up to June 8/10, use Ignition Module Service Kit 4530028.</b>	1	2	2	3	C
	<b>4530025</b>	<b>Ignition Module - 3-Tries Fenwal For equipments manufactured after: (date) June 9/10, (model) CG-72R-0016, (serial#) 1006100100101.</b>	1	2	2	3	C
38	G01518-1	Shut-Off Valve	1	1	1	1	
39	2437100	1" - 3/4" Reducing Adapter			1	1	
41	2450099	Manifold Assembly	1	1			
	2411099	Manifold Assembly			1	1	
45	4529725	Nameplate - Garland	1	1	1	1	
46	G01747-3	Pipe Plug 3/8 NPT	1	1	2	1	
47A	2432000	Electronic Thermostat	2	3	4	5	
47B	4515805	Dial Scale Deg F 450 (Insert 150 To 450)	2	3	4	5	
47C	4516733	Dial W/Pointer 1.71" Dia.	2	3	4	5	
47D	4516847	Dial and Scale Kit (Includes Item# 47B & 47C)	2	3	4	5	
48	2448800	Upper Front Panel		1			
	2402200	Upper Front Panel			1		
	2440500	Upper Front Panel				1	
	2448900	Upper Front Panel					
50	<b>G04055-2</b>	<b>Green Light</b>	2	3	3	4	
51	<b>2423301</b>	<b>Switch SPST 1801 - 1119 Marquard</b>	1	1	1	1	C
52	<b>2423300</b>	<b>Switch SPST 1801 - 1146 Marquard</b>	2	3	4	5	C
53	2423400	Protection Cap	3	4	5	6	
54	2432100	Handle (Knob Guard)	4	6	8	10	
55	<b>G04055-1</b>	<b>Amber Light</b>	2	3	4	5	
56	2673200	Lower Front Panel	1				
	2449099	Lower Front Panel		1			
	2402399	Lower Front Panel			1		
	2440699	Lower Front Panel				1	
	2449199	Lower Front Panel					
57	G02251-1	Pressure Test Spigot	3	4	4	5	
58	G01738-4	3/4" NPT x 2 1/2" Nipple	1	1	1	1	
59	G01474-3	3/4" NPT to 1" NPT 90° Elbow Reducer					
60	G01474-5	3/4" NPT Elbow					
61	G01738-5	3/4" NPT x 6 1/2" Nipple					
62	076050-90	7/16 CC X 1/4 NPT Compre Elbow	2	3			
63	4523399	Power Cord 9Ft. 3/14GA 15Amps SJ00W	1	1	1	1	
64	078100-15	32.5" x 8" x 0.5" Insulation	2	2	2	2	
70	2437500	Transformer Support Plate	1	1	1		
	2501400	Transformer Bracket - Export	1	1	1		
71	G03559-1	Transformer - 24V - 120V	1	1	1		C
	2582500	Transformer - 115V - 208V - 240V				1	C
	2283700	Transformer - 208V - 240V, 50/60Hz	1	1	1		C
72	2501200	Electrical Box - Top	1	1	1	1	
73	2501300	Electrical Box - Bottom	1	1	1	1	
74	2452800	Restraining Bracket	2	2	2	2	
75	2426700	Pilot Bracket	1	2	2	3	

\* NOT ILLUSTRATED

**RECOMMENDED STOCK PARTS**

## GARLAND PARTS IDENTIFICATION

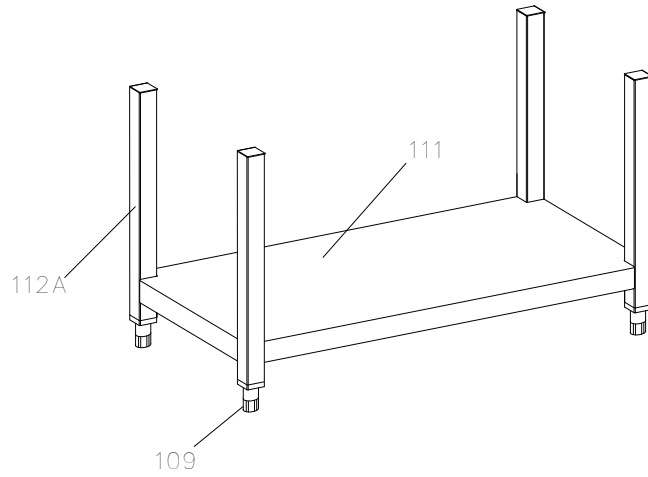
### A&W Front Burner Gas Chain Griddle Components MODELS CG-24/36/48/60RFB

ITEM	PART#	DESCRIPTION	QUANTITY				CRITICAL
			24RFB	36RFB	48RFB	60RFB	
76	2456700	Valve Panel - 24"	1				
	2477400	Valve Panel - 36"		1			
	2435600	Valve Panel - 48"			1		
	2441000	Valve Panel - 60"				1	
78	2516700	Body Frame	1				
	2516701	Body Frame		1			
	2516702	Body Frame			1		
	2516703	Body Frame				1	
79A	2428900	Flue Spacer	2	2	3	3	
79B	4525002	Flue Extension Front 24"	1				
	4524178	Flue Extension Front 36"		1			
	4524185	Flue Extension Front 48"			1		
	4525006	Flue Extension Front 60"				1	
79C	4525003	Flue Extension Back 24"	1				
	4524179	Flue Extension Back 36"		1			
	4524186	Flue Extension Back 48"			1		
	4525007	Flue Extension Back 60"				1	
80	3063100	Leg Mount	2	2	2	2	
81	3063198	Leg Mount Assembly Left	1	1	1	1	
82	3063199	Leg Mount Assembly Right	1	1	1	1	
83	3073602	Griddle Leg	4	4	4	4	
84	G02954-1	2" Square Foot Insert	4	4	4	4	
85	4520494	1/4" Dia. Tubing - Solenoid - Pilot Left	1	1	1	1	
88	4520493	7/16" Dia. Tubing - Solenoid - Manifold Centre			1	1	
89	4520495	1/4" Dia. Tubing - Solenoid - Pilot Right			1	1	
90	4520491	3/8" Dia. Tubing - Solenoid - Manifold Centre			1	1	
91	4520492	7/16" Dia. Tubing - Solenoid - Manifold Left			1	1	
92	2585300	Half Hinge	2	2	2	2	
93	4520497	3/8" Dia. Tubing - Solenoid - Manifold Right				1	
94	4515980	Guard Mount Assembly 24"	1				
	4515981	Guard Mount Assembly 36"		1			
	4515982	Guard Mount Assembly 48"			1		
	4515983	Guard Mount Assembly 60"				1	
95	4515777	Control Guard 24"	1				
	4515778	Control Guard 36"		1			
	4515779	Control Guard 48"			1		
	4515780	Control Guard 60"				1	
96	2428804	24" Flue Filler	1				
	2428802	36" Flue Filler		1			
	2428800	48" Flue Filler			1		
	2428801	60" Flue Filler				1	
97	2471400	Hinge Set w/Holes - Lower Front Panel Assembly	2	2	2	2	
98*	F12	Screw 10-24 x 1/2" HD Slot/SS (Fastener For Mounting Panel)	2	3	4	5	
99*	F90	Nut 10-24 Steel Nickel (Fastener For Mounting Shield)	2	3	4	5	
100*	2436501	Wiring Diagram 24"					
	2436601	Wiring Diagram 36"					
	2436701	Wiring Diagram 48"					
	2436801	Wiring Diagram 60"					
101*	2436600	Schematic 36"					
	2436700	Schematic 48"					
	2436800	Schematic 60"					
	4522248	Owners Manual					
102	4516842	Guard Kit 24" (Includes Item# 92, 94 & 95)	1				
	4516843	Guard Kit 36" (Includes Item# 92, 94 & 95)		1			
	4516844	Guard Kit 48" (Includes Item# 92, 94 & 95)			1		
	4516845	Guard Kit 60" (Includes Item# 92, 94 & 95)				1	
	4516846	Guard Kit 72" (Includes Item# 92, 94 & 95)					
103	4517368	Wire, Sensor (see item # 4)	1	2	2	3	C

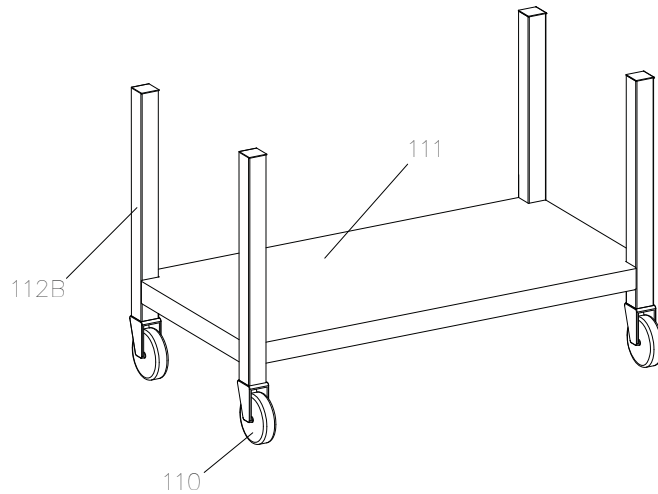
\* NOT ILLUSTRATED

#### RECOMMENDED STOCK PARTS

**STAND ASSEMBLY - BULLET LEG**



**STAND ASSEMBLY - CASTERS**





**GARLAND PARTS IDENTIFICATION**  
**A&W Gas Chain Griddle Equipment Stands**  
**MODELS CG-24/36/48/60RFB**

ITEM	PART#	DESCRIPTION	QUANTITY			
			24RFB	36RFB	48RFB	60RFB
109	G02954-1	2" Square Foot Insert	4	4	4	4
110	4518094	Swivel Caster W/Brake	2	2	2	2
	4518093	Swivel Caster	2	2	2	2
111	3098302	Stand Shelf 24"	1			
	3098303	Stand Shelf 36"		1		
	3098300	Stand Shelf 48"			1	
	3098304	Stand Shelf 60"				1
112A	3098096	Stand Assembly 24" Bullet Leg	1			
	3098094	Stand Assembly 36" Bullet Leg		1		
	3098098	Stand Assembly 48" Bullet Leg			1	
	3098092	Stand Assembly 60" Bullet Leg				1
112B	3098097	Stand Assembly 24" Casters				
	3098095	Stand Assembly 36" Casters				
	3098099	Stand Assembly 48" Casters				
	3098093	Stand Assembly 60" Casters				
113*	2437200	Lighting Instructions Label	1	1	1	1
114*	4523119	Label – Regulator	1	1	1	1
115*	4523374	Label – Keep Flue Clean	1	1	1	1

\* NOT ILLUSTRATED

**RECOMMENDED STOCK PARTS**

## GARLAND PARTS IDENTIFICATION

### Revision History

REV#	PAGE#	ITEM#	NOTES	DATE
0			New Parts List	May 17/07
1	5	5	Part Number 2290404 Quantity On Model 24RFB Changed to 1	Aug 10/07
2	4,5	14A	Part # Deleted – Was 2403000 (Double Burner Mounting Bracket)	Dec 03/07
	5	14B	Quantity Changes In All Models	
		3	Part # Deleted – Was 4522144 (Burner w/Front Tube L/H Grill)	
			Part # Deleted – Was 4522143 (Burner w/Front Tube R/H Grill)	
	3A	Part Kit Part Number Added – Units before Serial # 07071001000010		
9	112,113,114	New Part Number Added		
	5,6,7		Critical Column Added	
3	4		New Drawing – 2C part Added	Mar 10/08
	5	2C	New Part Number Added	
		3, 3A	Description Changed	
		3	Part Number 4524177 Added – Critical Part	
			Part Number 4524176 Added – Critical Part	
3A	Part Number 4524182 Added – Critical Part Part Number 4524181 Added – Critical Part			
4	4		New Drawing	May 5/08
	5	2B	Item Number Removed - Part Numbers Were: 4522148 (Flue Restrictor – 24" (Natural Gas Only)) 4522149 (Flue Restrictor – 36" (Natural Gas Only)) 4522150 (Flue Restrictor – 48" (Natural Gas Only)) 4522151 (Flue Restrictor– 60" (Natural Gas Only))	
			2C	
7	79B, 79C	New Part Numbers Added		
5	6	63	New Part Number – Was G2840-2 (Cord & Plug 9FT 3/14 wire 15A)	Jul 09/08
6	5	2C	New part number 4525607 was 4525005 New part number 4525608 was 4524183 New part number 4525609 was 4524184 New part number 4525610 was 4525009	Aug 20/08
7	4		New Drawing	Jan 29/09
	6	47D	New Part Number Added	
	7	102		
8	5	13	Part number changed - was 2423501(J Thermocouple)	Aug 07/09
9	6	36	Part added for use with equipment manufactured after June 9, 2010	Jun 17/10
10	6	36	<ul style="list-style-type: none"> <li>• Service Kit Part# changed from 4527306 to 4530028.</li> <li>• New module 4530025 replaced module 4527002 as of: (date) Sep 23/11, (model) CG-48R-0036, (serial#) 1109100101108.</li> </ul>	Nov 21/11
			45	
11	6	71	Transformer - New 2283700 replaced 1636000.	Jan 13/12
12	4-7	4,103	Flame sensor does not come with wire. Added illustration and made clear in description. Added item 90 for sensor wire part; was missing (set up as purchased part in 2004 PCO00086.	May 23/14
			Out of Production as of Aug 2013.	



 **Garland**<sup>®</sup>

 **Manitowoc**