



***Electric Chain Griddle***  
***ECG Series***  
***ECG-24,-36,-48,-60,-72R 01***

**PARTS LIST**

Toll Free Phone, (US & Canada): (800) 427-6668

Toll Free Fax, (US & Canada): (800) 361-7745

<http://www.garland-group.com>



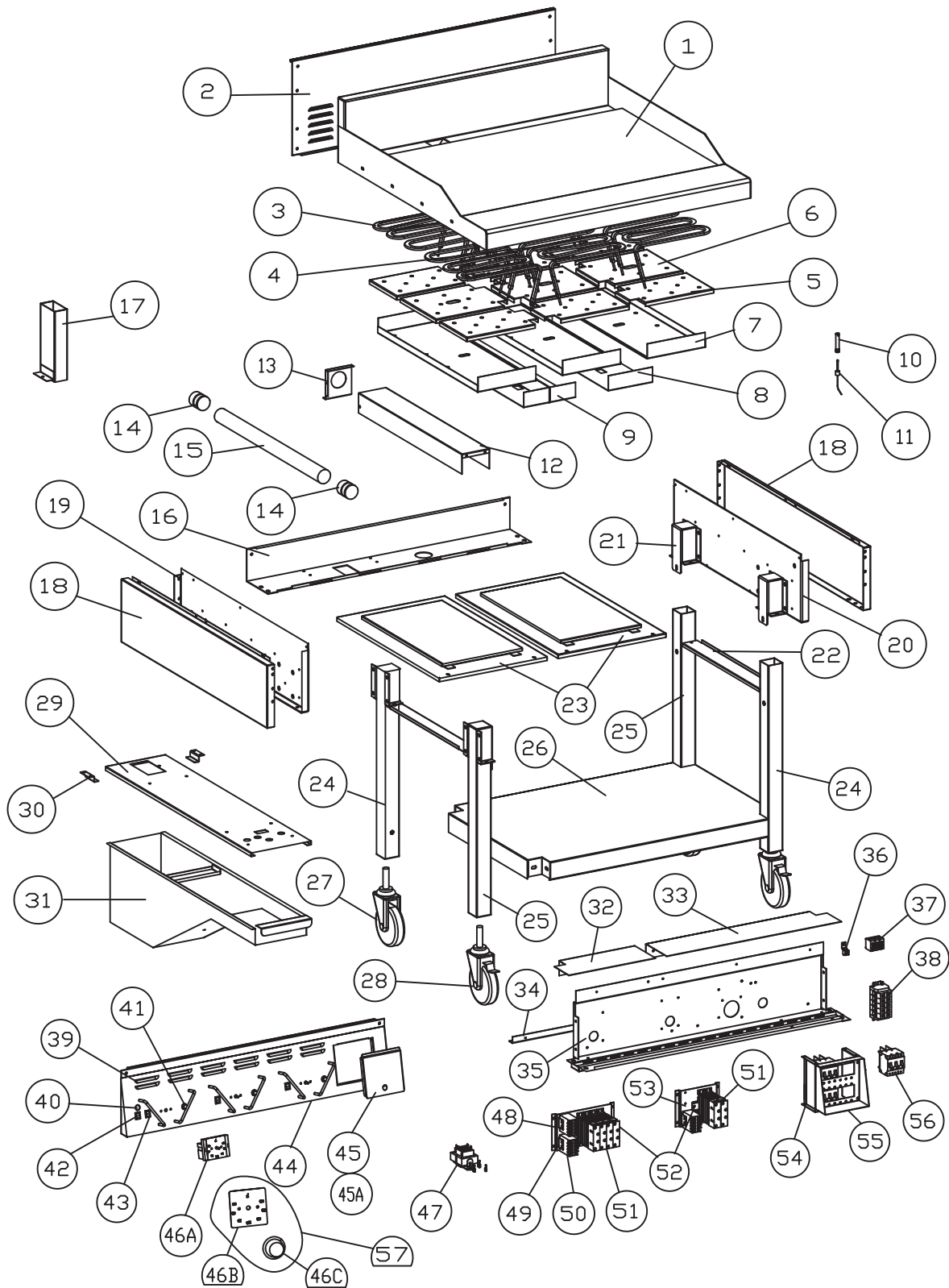


***Electric Chain Griddle***  
***ECG Series***  
***ECG-24,-36,-48,-60,-72R 01***

***Contents:***

Electric Chain Griddle ECG -24, -36, -48, -60, -72,R 01 ..... Page 4  
New Swivel Caster Information..... Page 8  
Revision History ..... Page 9

ELECTRIC CHAIN GRIDDLE  
 ECG-24, -36, -48, -60, -72R 01



SK3856

**GARLAND PARTS IDENTIFICATION**  
**Electric Chain Griddle ECG-24, -36, -48, -60, -72R 01**

ITEM	PART #	DESCRIPTION	MODELS					DATES		CRITICAL
			ECG-24R 01	ECG-36R 01	ECG-48R 01	ECG-60R 01	ECG-72R 01	FROM	UP TO	
1	2473697	Griddle Assy Reg.	1							
	2473696	Griddle Assy Satin	1							
	2449697	Griddle Assy Reg.		1						
	2449696	Griddle Assy Satin		1						
	2428697	Griddle Assy Reg.			1					
	2428696	Griddle Assy Satin			1					
	2440997	Griddle Assy Reg.				1				
	2440996	Griddle Assy. Satin				1				
	2449797	Griddle Assy Reg.					1			
	2449796	Griddle Assy Satin					1			
2	3065200	Main Back		1						
	3065201	Main Back			1					
	3065202	Main Back				1				
	3065203	Main Back					1			
	3065204	Main Back	1							
3	<b>3065700</b>	<b>Element - Front And Back 208V</b>	4	6	8	10	12			C
	<b>3065701</b>	<b>Element - Front And Back 240V</b>								C
4	<b>3065600</b>	<b>Element - Center 208V</b>	2	3	4	5	6			C
	<b>3065601</b>	<b>Element - Center 240V</b>								C
5	3061800	Element Clamp - Front And Back	4	6	8	10	12			
6	3061900	Element Clamp - Center	2	3	4	5	6			
7	3062000	Element Cover	1	3	4	5	6			
	3062001	Element Pan	1							
8	3075400	Element Pan Filler		1	2	3	4			
9	3062100	Element Pan Side		2	2	2	2			
	3062101	Element Pan Side	1							
10	2423600	Bayonet Adapter	2	3	4	5	6			
11	<b>2423501</b>	<b>J Thermocouple</b>	2	3	4	5	6			C
12	3075800	Conduit Heat Shield	1	1	1	1	1			
13	3075600	Conduit Rear Bracket	1	1	1	1	1			
14	3075900	Emt Connector 1 1/2"	2	2	2	2	2			
15	3075500	Supply Conduit	1	1	1	1	1			
16	3059501	Lower Back Panel 36"		1						
	3059500	Lower Back Panel 48"			1					
	3059502	Lower Back Panel 60"				1				
	3059503	Lower Back Panel 72"					1			
	3059504	Lower Back Panel 24"	1							
17	2401499	Grease Chute Assy.	1	1	2	2	2			
18	2513899	Side Panel Assy.	2	2	2	2	2			
19	2513798	Body End Assy. - Left	1	1	1	1	1			
20	2513799	Body End Assy. - Right	1	1	1	1	1			
21	3063100	Leg Mount	4	4	4	4	4			

\* NOT ILLUSTRATED

**RECOMMENDED STOCK PARTS**

**GARLAND PARTS IDENTIFICATION**  
**Electric Chain Griddle ECG-24, -36, -48, -60, -72R 01**

ITEM	PART #	DESCRIPTION	MODELS					DATES		CRITICAL
			ECG-24R 01	ECG-36R 01	ECG-48R 01	ECG-60R 01	ECG-72R 01	FROM	UP TO	
22	3076900	Bottom Side Filler	2	2	2	2	2			
23	3075398	Bottom Cover Assy.		2						
	3075397	Bottom Cover Assy.			2					
	3075396	Bottom Cover Assy.				2				
	3075395	Bottom Cover Assy.					2			
	3075399	Bottom Cover Assy.	1							
24	3073799	Leg Assy. Right - Casters	2	2	2	2	2			
	3073798	Leg Assy. Right - Foot	2	2	2	2	2			
25	3073899	Leg Assy. Left - Casters	2	2	2	2	2			
	3073898	Leg Assy. Left - Foot	2	2	2	2	2			
26	3065199	Stand Shelf Assy. -24	1						7-Jun-02	
	3098302							7-Jun-02		
	3065198	Stand Shelf Assy. - 36		1					7-Jun-02	
	3098303							7-Jun-02		
	3065197	Stand Shelf Assy. 48			1				7-Jun-02	
	3098300							7-Jun-02		
	3065196	Stand Shelf Assy.				1			7-Jun-02	
	3098304							7-Jun-02		
	3065195	Stand Shelf Assy.					1		7-Jun-02	
3098305								7-Jun-02		
27	2442100	Caster - Rear -NLA	2	2	2	2	2		25-Oct-04	
	4518093	Swivel Caster - See Page 8	2	2	2	2	2	25-Oct-04		
28	2442000	Caster - Front - NLA	2	2	2	2	2		25-Oct-04	
	4518094	Swivel Caster W/Brake - See Page 8	2	2	2	2	2	25-Oct-04		
29	2429000	Pan Slide	1	1	2	2	2			
30	3063300	Pan Slide Bracket	2	2	4	4	4			
31	2430099	Std Grease Drawer	1	1	2	2	2			
	2538399	Deep Grease Drawer	1	1	2	2	2			
32	3074800	Inner Heat Shield - Left	1	1	1	1	1			
33	3076100	Inner Heat Shield - Right	1							
	3076101	Inner Heat Shield - Right		1						
	3076102	Inner Heat Shield - Right			1					
	3076103	Inner Heat Shield - Right				1				
	3076104	Inner Heat Shield - Right					1			
34	3065400	Bottom Mtg. Brkt.		1						
	3065401	Bottom Mtg. Brkt.			1					
	3065402	Bottom Mtg. Brkt.				1				
	3065403	Bottom Mtg. Brkt.					1			
	3065404	Bottom Mtg. Brkt.	1							

\* NOT ILLUSTRATED

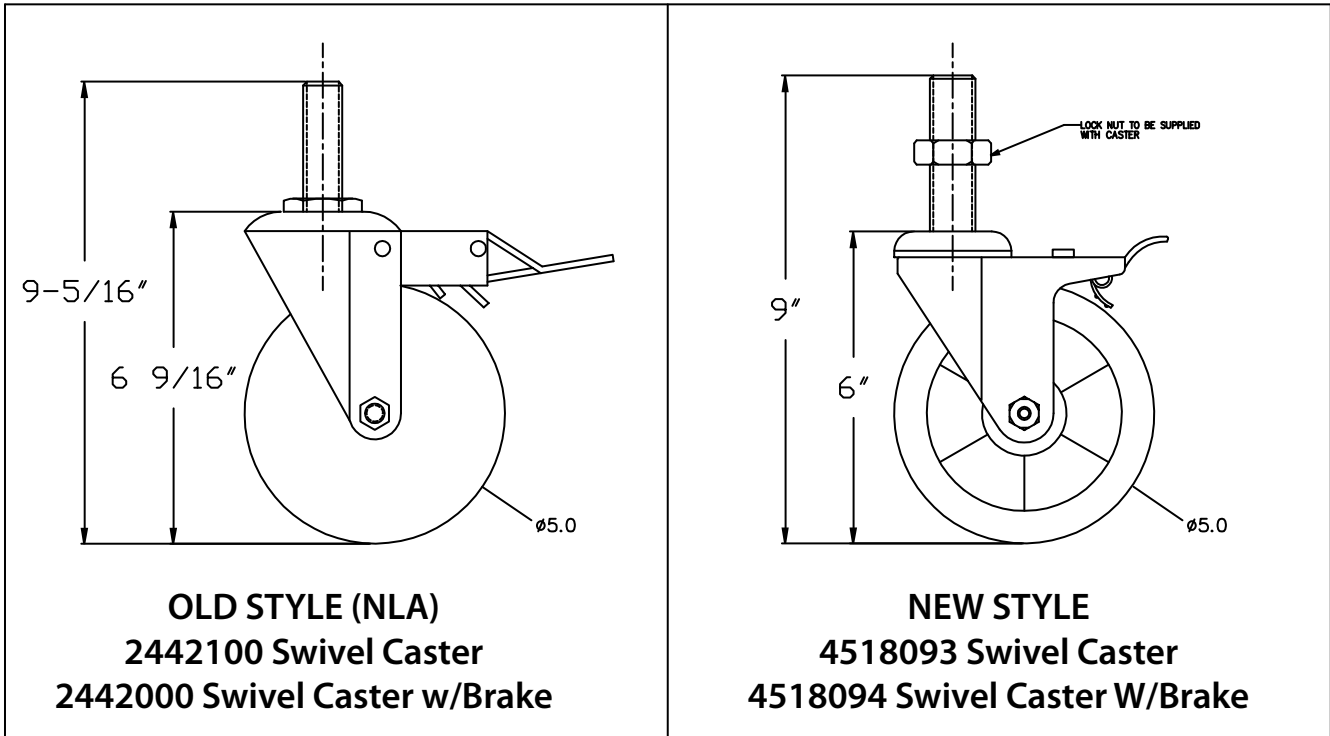
**RECOMMENDED STOCK PARTS**

**GARLAND PARTS IDENTIFICATION**  
**Electric Chain Griddle ECG-24, -36, -48, -60, -72R 01**

ITEM	PART #	DESCRIPTION	MODELS					DATES		CRITICAL
			ECG-24R 01	ECG-36R 01	ECG-48R 01	ECG-60R 01	ECG-72R 01	FROM	UP TO	
35	3074200	Component Mtg. Brkt.	1							
	3074300	Component Mtg. Brkt.		1						
	3074400	Component Mtg. Brkt.			1					
	3074500	Component Mtg. Brkt.				1				
	3074600	Component Mtg. Brkt.					1			
36	01499-1	Ground Terminal	1	1						
37	2147300	Terminal Block	1	1						
38	2694801	Terminal Block			1	1	1			
39	3061100	Front Panel	1							
	3061200	Front Panel		1						
	3061300	Front Panel			1					
	3061400	Front Panel				1				
	3061500	Front Panel					1			
40	<b>G01296-3</b>	<b>Pilot Light Green</b>	1	1	1	1	1			C
41	<b>2667200</b>	<b>Pilot Light Amber</b>	2	3	4	5	6			C
42	<b>2423301</b>	<b>Switch</b>	1	1	1	1	1			C
43	<b>2423300</b>	<b>Switch</b>	2	3	4	5	6			C
44	2432100	Handle - Knob Guard	4	6	8	10	12			
45	3062500	Circuit Breaker Cover		1	1					
	3062501	Circuit Breaker Cover				1	1			
45A	3076300	Knob Style Latch		1	1	1	1			
46A	<b>2432001</b>	<b>Electronic Thermostat</b>	2	3	4	5	6			C
46B	4515805	Dial Scal Deg F 450 ( Insert 150 To 450)	2	3	4	5	6			
46C	4516733	Dial W/Pointer 1.71" Dia.	2	3	4	5	6			
47	<b>1636000</b>	<b>24V Transformer</b>	1	1	1	1	1			C
48	3062700	Elec. Comp. Mtg. Brkt.	1	1	2	2	3			
49	3060300	Relay Bracket	2	3	4	5	6			
50	<b>3060200</b>	<b>Relay 4 Pole</b>	2	3	4	5	6			
51	<b>3060400</b>	<b>Relay 1 Pole</b>	4	6	8	10	12			C
52	3062600	Din Rail	1	1	2	2	3			
53	3077000	Elec Comp. Mtg. Brkt.		1		1				
54	3061600	C.B. Support		2	2	2	2			
55	3060700	C.B. Box Cover		1	1					
	3078600	C.B. Box Cover				1	1			
56	3060100	Circuit Breaker		3	4	5	6			C
Kit Available										
57	4516847	Dial & Insert kit - includes 46B & 46C								

\* NOT ILLUSTRATED

**RECOMMENDED STOCK PARTS**



Please note that there are differences between the old and new casters, The new casters are .312" (5/16) shorter overall so in this case, would not be interchangeable. When replacing the old caster Garland highly recommends replacing all remaining casters with the new caster. both new and old casters use (5") diameter wheels.

First unit manufactured with the new casters:  
Model: CG-72R-0004  
Serial Number: 0410100108836  
Implementation Date: October 25/2004



## GARLAND PARTS IDENTIFICATION

### Revision History

REV. #	PAGE #	ITEM #	NOTE	DATE
1	7	40	Replace G04055-2 with G01296-3	August 22/02
2	7	45A	New Part Number Added	December 9/02
3	4	5,6	Switched Item #s 5&6	Jan 27/04
	5	6	Part # 3061900 Qty was 1 Part # 3061901 deleted	
	6	26	Dates and new Part # Added	
4	6	27	New Part Numbers 4518094	Dec 03/04
		28	New Part Number 4518093	
	8		New Swivel Caster Information	
5	4	46B & C	Drawings Added	Feb 09/05
	7	46A	Description Changed	
		46B & C	New Part Numbers	
		57		
6	4		Item Number 57 Added	Feb 02/09
	5,6,7		Critical Column Added	

## ***NOTES***

## ***NOTES***

 **Garland**<sup>®</sup>