

# Stock Pot Range

## Gas & Electric Models

### Parts List

#### GAS Models:

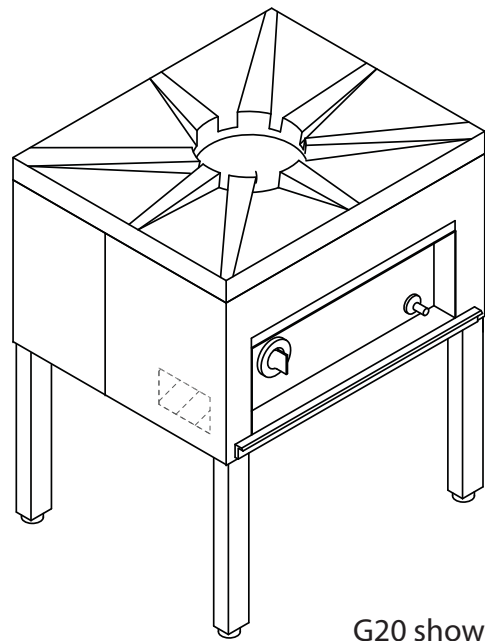
G20-SP

G20-SPH

#### ELECTRIC Models:

E20-SP

E20-SPH

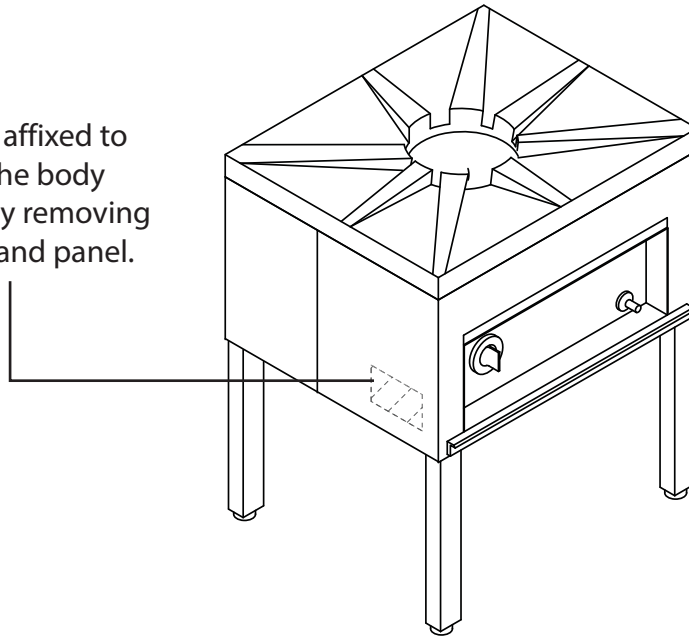


G20 shown

---

## Rating Plate Location

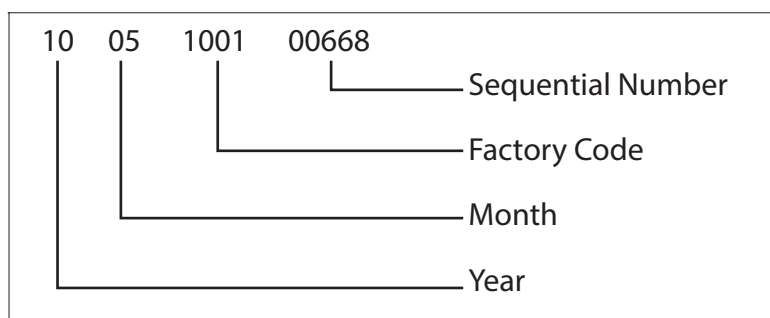
The Rating Plate is affixed to the inside wall of the body panel, accessible by removing the control knobs and panel.



---

## Serial# (Year/Month Information)

The Serial Number is **13 Digits** long and is stamped on the Rating Plate.





## **Stock Pot Range**

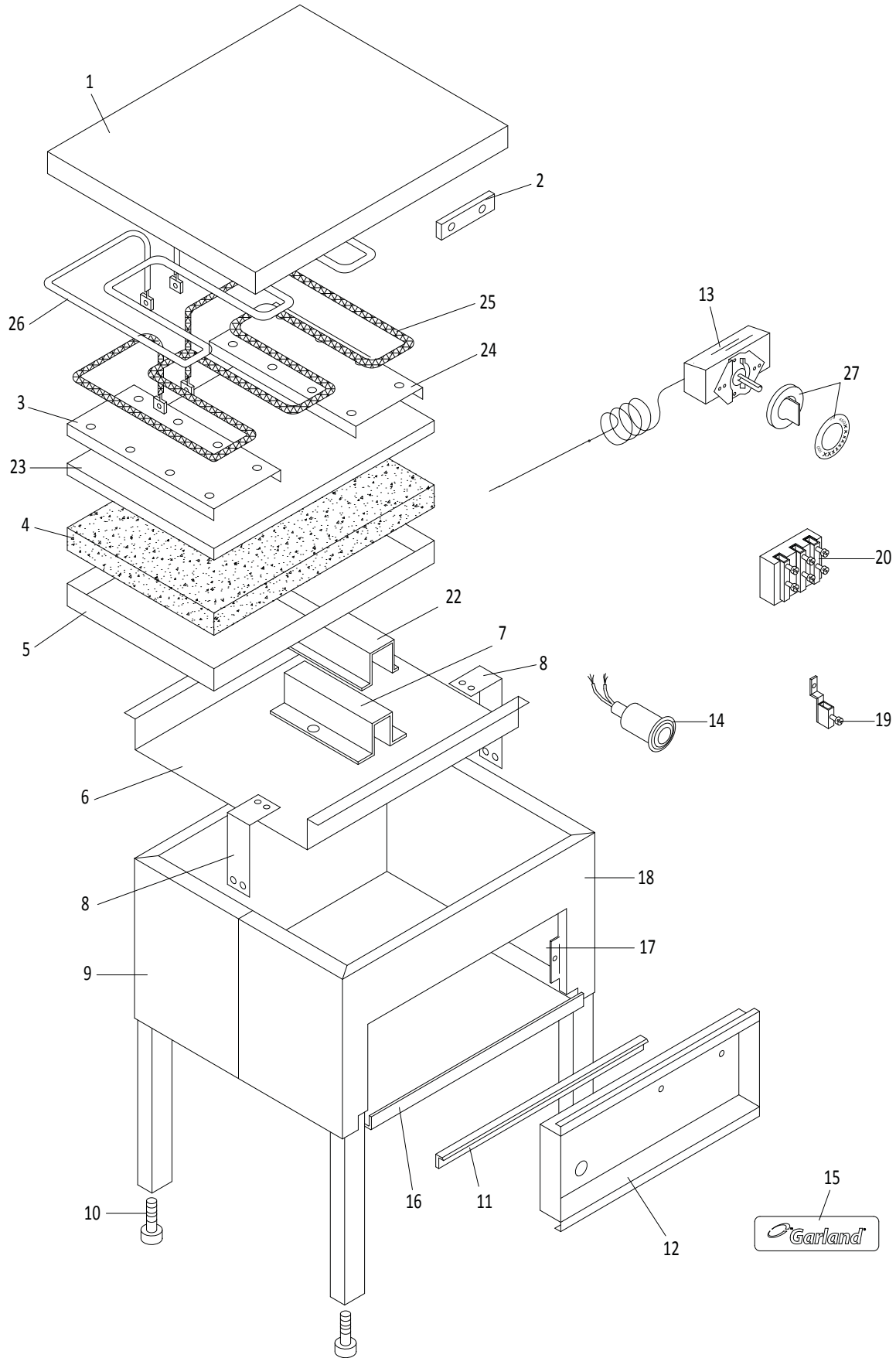
*models*

**(Electric) E20-SP, E20-SPC**

**(Gas) G20-SP, G20-SPH**

### ***Table of Contents***

<i>Rating Plate Location / Serial# Interpretation .....</i>	<b>2</b>
<i>Electric models - E20-SP and E20-SPC.....</i>	<b>4</b>
<i>Gas models - G20-SP and G20-SPH .....</i>	<b>6</b>
<i>Revision History.....</i>	<b>9</b>



## GARLAND PARTS IDENTIFICATION

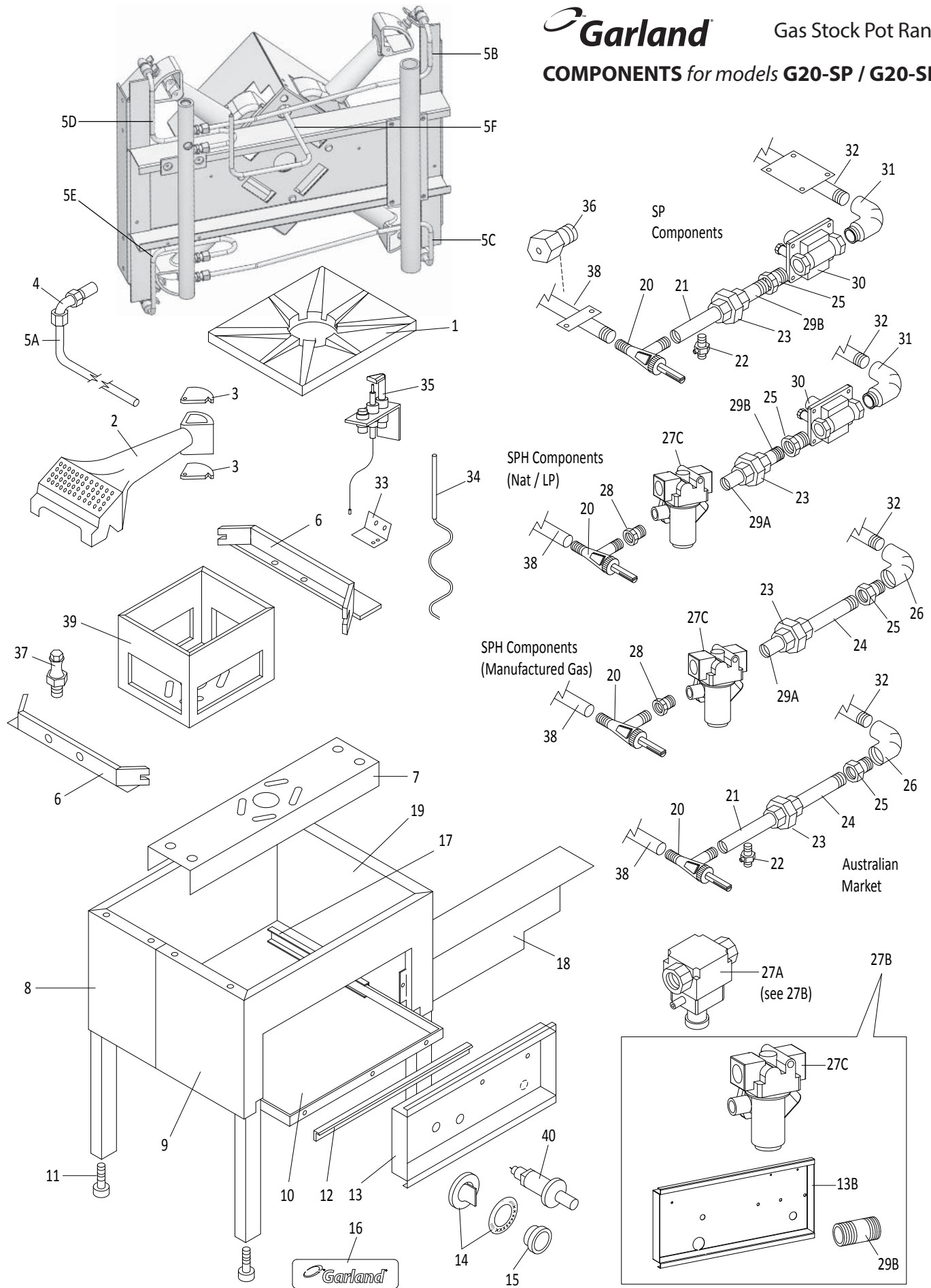
### Electric Stock Pot Range models **E20-SP** and **E20-SPC**

ITEM	PART#	DESCRIPTION	QUANTITY		CRITICAL
			E20-SP	E20-SPC	
1	G02550-020-8	Boiling Plate Assembly	1	1	
2	G2450-1-6	Element Jumper	2	2	
3	G02563-1-62	Element Clamp Left Hand	1	1	
4	1472308	Insulation (Cut to 16-1/2" x 16-1/2" x 2")	1	1	
5	G02561-1-6	Element Cover	1	1	
6	G02572-1-6	Element Cover Heat Deflector	1	1	
7	2206300	Bulb Clamp	1	1	
8	G02560-1-7	Tie Down Bracket	2	2	
9	G02472-01-9	Body Back Assembly S/S	1		
	G02472-03-9	Body Back Assembly S/S		1	
10	G6424	Leveling Glider Bolt Hex 3/8-16 x 2"	4	4	
	F157	Leveling Glider Bolt Hex 3/8-16 x1-1/16"	4	4	
11	G02479-1-9	Drip Pan Handle G20	1	1	
12	G02476-1-9	Control Panel	1	1	
13	<b>G02547-01</b>	<b>Thermostat Assembly High Temp</b>	1	1	C
14	G01296-2	Pilot Amber	1	1	
15	4529725	Garland Logo Plate, small.	1	1	
16	G02558-01-7	Main Bottom Assembly	1	1	
17	G02473-1-8	Side Support	2	2	
18	G02471-01-9	Body Front Assembly S/S	1		
	G02471-02-9	Body Front Assembly S/S		1	
19	G01500-1	Ground Terminal 55AMP	1	1	
20	2147300	Terminal Block (Domestic)	1	1	
21	G02559-1-6	Heat Shield	2	2	
22	G01849-1-6	Bulb Channel	1	1	
23	G02562-1-6	Element Baffle	1	1	
24	G02563-1-61	Element Clamp Right Hand	1	1	
25	<b>G02548-1</b>	<b>Element Outer 208V 2.9kW</b>	1	1	
	<b>G02548-2</b>	<b>Element Outer 240V 2.9kW</b>	1	1	
	<b>G02548-3</b>	<b>Element Outer 220V 2.9kW</b>	1	1	
26	<b>G02549-1</b>	<b>Element Outer 208V 2.6kW</b>	1	1	
	<b>G02549-2</b>	<b>Element Outer 240V 2.6kW</b>	1	1	
	<b>G02549-3</b>	<b>Element Outer 220V 2.6kW</b>	1	1	
27	<b>G02716-1</b>	<b>Dial - (Universal) Small Shaft</b>	1	1	
	<b>G02725-23</b>	<b>Dial Insert (1-10)</b>	1	1	
29*	G1053-2-8P	Knockout Plate Plated	1	1	

\* NOT ILLUSTRATED

#### **RECOMMENDED STOCK PARTS**

**COMPONENTS** for models **G20-SP / G20-SPH**



## GARLAND PARTS IDENTIFICATION

### Gas Stock Pot Range models **G20-SP** and **G20-SPH**

ITEM	PART#	DESCRIPTION	QUANTITY		CRITICAL
			G20-SP	G20-SPH	
1	G02420-1	Top Grate	1	1	
2	G3575-32	Top Burner (Natural)	4	4	
	G3575-36	Top Burner (Propane Gas)	4	4	
	G3575-40	Top Burner (Manufactured Gas)	4	4	
3	G4155-1	Air Shutter	8	8	
4	G02486-51F	Orifice Fitting Natural	4	4	
	G02486-56F	Orifice Fitting #56	4	4	
5A	4527418	(FLEX) 1/4 Aluminum Tubing x 18" for G20-SP	5		
	4527418	(FLEX) 1/4 Aluminum Tubing x 18" <b>NOTE: (G20-SPH) Used UP TO Serial# 1603100101302.</b>		5	
5B	CK4602096	(SOLID) TUBE .25 RT FRT ORIF G20SPH. Kit includes tube, compression nuts and ball sleeves. <b>NOTE: Used FROM Serial# 1603100101303.</b>		1	
5C	CK4602097	(SOLID) TUBE .25 RT REAR ORIF G20SPH. Kit includes tube, compression nuts and ball sleeves. <b>NOTE: Used FROM Serial# 1603100101303.</b>		1	
5D	CK4602098	(SOLID) TUBE .25 LT FRT ORIF G20SPH. Kit includes tube, compression nuts and ball sleeves. <b>NOTE: Used FROM Serial# 1603100101303.</b>		1	
5E	CK4602099	(SOLID) TUBE .25 LT REAR ORIF G20SPH. Kit includes tube, compression nuts and ball sleeves. <b>NOTE: Used FROM Serial# 1603100101303.</b>		1	
5F	CK4602101	(SOLID) TUBE .25 BASO TO PILOT G20SPH. Kit includes tube, compression nuts and ball sleeves. <b>NOTE: Used FROM Serial# 1603100101303.</b>		1	
6	G02477-1-8	Burner Rest Support	1	1	
7	G02478-1-8	Burner Rest	2	2	
8	G02472-01-9	Body Back Assembly S/S	1	1	
9	G02471-01-9	Body Front Assembly S/S	1	1	
10	G02481-1-8	Drip Pan	1	1	
11	G6424	Leveling Glider Bolt Hex 3/8-16 X 2"	4	4	
	F157	Leveling Glider Bolt Hex 3/8-16 x1-1/16"	4	4	
12	G02479-1-9	Drip Pan Handle G20	1	1	
13	G02476-1-9	Control Panel	1		
	G02476-2-9	Valve Panel		1	
14	G02716-2	<b>Dial - (Universal) Medium Shaft</b>	1	1	
	G02725-26	<b>Dial Insert (Off/Min/Med/Max)</b>	1	1	
	G02725-3	<b>Dial Insert (Off/Max/Med/Min) to serial 57628</b>	1	1	
15	1028802	Heyco Bushing <b>Note: Used UP TO 28-Oct/2004</b>		1	
16	4529725	Garland Logo Plate, small.	1	1	
17	G02480-1-8	Drip Pan Guide	2	2	
18	G02501-1-6	Heat Shield	1	1	
19	G02473-1-8	Side Support	2	2	

\* NOT ILLUSTRATED

#### **RECOMMENDED STOCK PARTS**

## GARLAND PARTS IDENTIFICATION

**Gas Stock Pot Range**  
models **G20-SP** and **G20-SPH**

ITEM	PART#	DESCRIPTION	QUANTITY		CRITICAL
			G20-SP	G20-SPH	
20	<a href="#">G03683-4</a>	<b>Valve Hi-Med-Low (Natural Gas)</b>	1	1	C
	<a href="#">G03683-5</a>	<b>Valve Hi-Med-Low (Propane Gas)</b>	1	1	C
	<a href="#">G03683-6</a>	<b>Valve Hi-Med-Low (Manufactured Gas)</b>	1	1	C
21	<a href="#">G02484-1</a>	Manifold	1		
22	<a href="#">G6809</a>	Gum Valve 1/4	1		
23	<a href="#">G01739-1</a>	Union 1/2 NPT TO 1/2 NPT	1	1	
24	<a href="#">G01477-2</a>	Nipple 1/2"NPT X 4 1/8"RAW	1	1	
25	<a href="#">G01918-5</a>	Reducer Bushing 3/4 to 1/2 NPT	1	1	
26	<a href="#">G01475-5</a>	90 Deg Elbow - 3/4NPT			
27A	<a href="#">G02487-01</a>	Valve Assembly TS11K-Safety <b>Note:</b> Used <b>UP TO</b> 28-Oct/2004 and item is <b>No Longer Available. Use Kit 4519190</b> (item 27A)		1	C
27B	<a href="#">4519190</a>	<b>Baso Safety Valve Kit</b> <b>Note:</b> Used <b>FROM</b> 28-Oct/2004 . Kit includes a BASO valve (27C), a nipple (29B) , a valve panel (13B) and install instructions.		1	C
27C	<a href="#">4518867</a>	<b>Baso Safety Valve</b> <b>Note:</b> Used <b>FROM</b> (date) 28-Oct/2004 (serial#) 0410100109452.		1	C
<p><b>IMPORTANT:</b> The BASO and TS11K valves are not interchangeable. Use Kit <a href="#">4519190</a> to replace an old TS11K valve. An unit manufactured after serial# 0410100109452 would require only a new Baso Valve (<a href="#">4518867</a>) without a kit.</p>					
28	<a href="#">G01569-1</a>	Reducer Bushing	1	1	
29A	<a href="#">G01736-1</a>	Nipple Close 1/2"NPT		1	
29B	<a href="#">G01736-1</a>	Nipple Close 1/2"NPT <b>Note:</b> Used <b>UP TO</b> 28-Oct/2004	1	1	
	<a href="#">G01477-10</a>	1/2" NPT x 1.5" Close Nipple	1	1	
30	<a href="#">2127503</a>	<b>Regulator (Natural Gas)</b>	1	1	C
	<a href="#">2127500</a>	<b>Regulator 10" WC (Propane Gas)</b>	1	1	C
31	<a href="#">G01475-2</a>	Elbow Street 3/4"NPT 90Deg	1	1	
32	<a href="#">G02482-01</a>	Supply Manifold Assembly	1	1	
33	<a href="#">G02502-1-6</a>	Pilot Bracket	1	1	
34	<a href="#">4518817</a>	<b>Thermocouple 18"</b>		1	C
35	<a href="#">G02488-1</a>	<b>Pilot 4C-2 (Natural Gas)</b>	1	1	C
	<a href="#">G02488-2</a>	<b>Pilot 4C-2 (Propane Gas)</b>	1	1	C
	<a href="#">G02488-3</a>	<b>Pilot 4C-2 (Manufactured Gas)</b>	1	1	C
	<a href="#">2290400</a>	<b>Pilot Assembly with 24" Wire (Natural Gas)</b>		1	C
	<a href="#">2290401</a>	<b>Pilot Assembly with 24" Wire (Propane Gas)</b>		1	C
	<a href="#">2290402</a>	<b>Pilot Assembly with 24" Wire (Manufactured Gas)</b>		1	C
36	<a href="#">076050-14</a>	Compression Fitting 1/4T X 1/8M	4	4	
37	<a href="#">G02251-1</a>	Pressure Test Spigot	1	1	
38	<a href="#">G02483-01</a>	Manifold Assembly	1	1	
39	<a href="#">G02474-1-6</a>	Burner Housing	1	1	
40	<a href="#">1309201</a>	<b>Piezo Igniter #1244-41</b>		1	C
41	<a href="#">G03151-1</a>	Piezo Electrode 16"		1	

\* NOT ILLUSTRATED

**RECOMMENDED STOCK PARTS**



### REVISION HISTORY (STOCK POT PARTS LIST)

REV	SECTION	ITEM#	NOTES	DATE
1	E20	27	Part # <a href="#">G02487-01</a> - Valve Assembly TS11K-Safety NLA.	DEC 16/04
		27A	New part # <a href="#">4518867</a> - Baso Safety Valve.	
		27B	New part # <a href="#">4519190</a> - Baso Safety Valve Kit.	
	G20	29	Obsolete part # <a href="#">G01736-1</a> for G20-SPH model only	
		29A	New part # <a href="#">G01477-10</a> Nipple	
			Retrofit Kit Details Added - New page.	
2	E20 & G20		Critical Column added	MAR 17/10
	G20	34	Part number changed - was <a href="#">1415000</a> (Thermocouple)	
3	E20		Added Rating Plate location and serial# explanation.	APR 26/12
		28	Washer Bearing - Removed.	
		20	Terminal block <a href="#">2147300</a> replaced g01269-1	
		15	Garland Logo Plate <a href="#">4529725</a> replaced <a href="#">1902919</a> .	
	G20	10	Added <a href="#">F157</a> .	
		3	<a href="#">G4155-1</a> was G4155	
		11	Added <a href="#">F157</a> .	
		26, 31	Revised illustration. Descriptions are correct/ wrong drawings.	
		23	Qty=1 for SPH. Was 0.	
		5	Tubing <a href="#">4527418</a> replaced GM304 (which replaced <a href="#">G01494-16</a> )	
		16	Garland Logo Plate <a href="#">4529725</a> replaced <a href="#">1902919</a> .	
		24	Revised gas train drawing for SPH-Manufactured Gas	
		29A, 29B	Revised info per Plant	
		41	<a href="#">G03151-1</a> Piezo Electrode - Added per BOM	
	Valve retrofit kit - remove install instructions as instruction sheet comes with kit.			
4	G20-SPH	5A - 5F	G20-SP: no change. G20-SPH: new parts 5B to 5F replace 5A. ECO-000701A/B.	JUL 15/16
5	G20-SPH	5A - 5F	Solid tubing kits available. ECO-001138 Added serial# info.	MAY 18/17



1-844-724-CARE • [www.mtwkitchencare.com](http://www.mtwkitchencare.com)