



Garland[®]

Master Gas R Series Production Griddle —Front Drain

models

CG - 24R / 36R / 48R / 60R / 72R
(formerly GAW)



CG-48R, shown with
optional stand and casters

PARTS LIST

Parts & Service

T (USA & Canada): 1 800 427 6668

F (USA & Canada): 1 800 361 7745

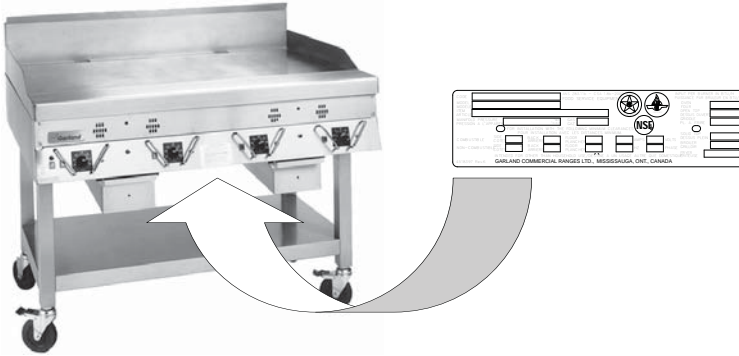
www.Garland-Group.com

Garland Commercial Ranges, Ltd.
1177 Kamato Road
Mississauga, Ontario L4W 1X4 Canada

general inquiries 905 624 0260
fax 905 624 5669

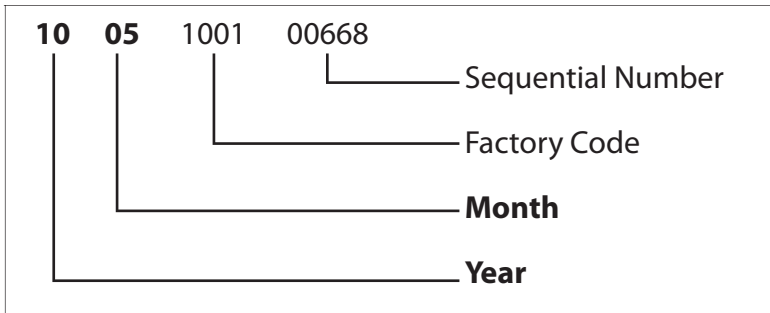


Rating Plate Location



Serial# - Year/Month Information

The Serial Number is **13 Digits** long and is stamped on the Rating Plate.
See "Rating Plate Location".





**Master GAS Production Griddle
R Series — Rear Drain**

models

**GAW - 24 / 36 / 48 / 60 / 72
CG - 24R / 36R / 48R / 60R / 72R**

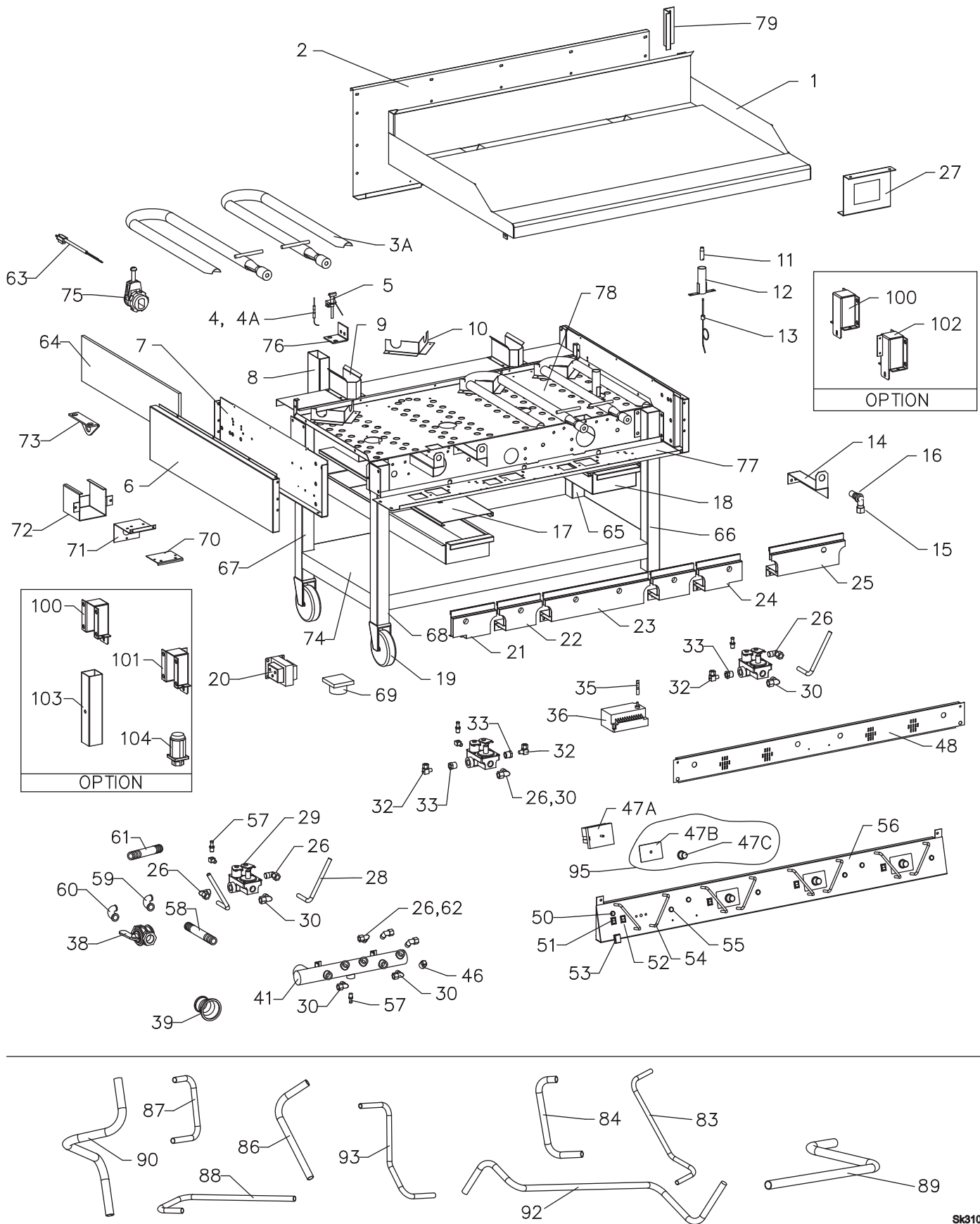
Contents

Rating Plate Location & Serial Number (Year/Month) Information 2

Components (all models) 4

Old and New Swivel Casters Information 10

Revision History 11



GARLAND PARTS IDENTIFICATION
Master Gas Production Griddle R Series (Rear Drain)
GAW / CG-24R, 36R, 48R, 60R, 72R

ITEM	PART #	DESCRIPTION	24R	36R	48R	60R	72R	CRITICAL
1	2473699	Griddle Plate Assy 24"	1					
	2449699	Griddle Plate Assy 36"		1				
	2428699	Griddle Plate Assy 48"			1			
	2440999	Griddle Plate Assy 60"				1		
	2449799	Griddle Plate Assy 72"					1	
2	2465600	Flue Panel	1					
	2449200	Flue Panel		1				
	2403500	Flue Panel			1			
	2440700	Flue Panel				1		
	2449300	Flue Panel					1	
3A	2405203	CG Burner Assembly – Left With Bracket	1	1	2	2	3	C
	2405202	CG Burner Assembly – Right With Bracket	1	2	2	3	3	C
3B*	4523316	Kit – CG Burner – RH						C
	4523317	Kit – CG Burner – LH						C
	Units manufactured before Serial Number 07071000100001 will require the above burner kits							
4	1466100	Flame Sensor (sensor wire not included)	1	2	2	3	3	
4A	4517368	Wire, Sensor (see item # 4)	1	2	2	3	3	
5	2290404	Pilot Assembly - Natural Gas	1	2	2	3	3	
	2290401	Pilot Assembly - Propane Gas	1	2	2	3	3	
6	2428798	Side Panel - Left	1	1	1	1	1	
	2428799	Side Panel - Right	1	1	1	1	1	
	2513899 ⁺⁺	Side Panel Assembly	2	2	2	2	2	
7	2409298	Body End Assembly - Left	1	1	1	1	1	
	2409299	Body End Assembly - Right	1	1	1	1	1	
	2513798 ⁺⁺	Body End Assembly - Left	1	1	1	1	1	
	2513799 ⁺⁺	Body End Assembly - Right	1	1	1	1	1	
8	2401499	Grease Chute Assembly	1	1	2	2	2	
9	2429900	Grease Chute Seal	1	1	2	2	2	
10	2408900	Rear Burner Support	2	3	4	5	6	
11	2423600	Bayonet Adapter	2	3	4	5	6	
12	2400699	Probe Shield Assembly	2	3	4	5	6	

* NOT ILLUSTRATED

⁺⁺ For Units Built After 06/95

RECOMMENDED STOCK PARTS



GARLAND PARTS IDENTIFICATION
Master Gas Production Griddle R Series (Rear Drain)
GAW / CG-24R, 36R, 48R, 60R, 72R

ITEM	PART #	DESCRIPTION	24R	36R	48R	60R	72R	CRITICAL
13	4522537	Kit "J" Thermocouple w/Thermal Compound	2	3	4	5	6	C
	Note: Kit Includes "J" Thermocouple Bayonet Mount P/N 2423501 & Thermal Compound P/N 4522185.							
13A*	4522185	Thermal Compound - 4 grams 120-SA						
14A	2443000	Single Burner Mounting Bkt	3	3	4	5	6	
15	2431900	Orifice Fitting	2	3	4	5	6	
16	M8-38	Orifice Hood - Natural	2	3	4	5	6	C
	M8-52	Orifice Hood - Propane	2	3	4	5	6	C
17	2429000	Pan Slide	1	1	2	2	2	
18	2430099	Rear Grease Pan	1	1	2	2	2	
18A	2430098	Grease Pan (Wendy's Option)	1	1	2	2	2	
18B	4526771	Grease Drawer Assembly - (Chipotle Option)	1	1	2	2	2	
19	2442000	Front Caster - NLA	2	2	2	2	2	
	4518094	Swivel Caster W/Break -See Page 9	2	2	2	2	2	
	2442100	Rear Caster - NLA	2	2	2	2	2	
	4518093	Swivel Caster - See Page 9	2	2	2	2	2	
20	G03559-1	Transformer - 24V	1	1	1			
	2283700	Transformer - 208V - 240V	1	1	1			
	2582500	Transformer - 115V - 208V - 240V				1	1	
21	4520470	End Radiation Shield Assy Left	1	1	1	1	1	
22	4520472	Double Burner Radiation Shield Assy	1	1	2	1	3	
23	4520469	Double Radiation Shield Assy			1	2	2	
24	4520471	End Radiation Shield	1	1	1	1	1	
25	4520486	Burner Shield Assy End		1		1		
26	076050-26	3/8 x 3/8 Comp Elbow	4	3	6	8	8	
27	2432900	Grease Tray Slide Support	1	1	2	2	2	
28	2439200	Burner Tube	2	2	4	4	6	
29	2405100	Gas Control/Regulator - Natural 60 Hz	2	3	3	4	5	C
	2405102	Gas Control/Regulator - Natural 50 Hz	2	3	3	4	5	C
	2405101	Gas Control/Regulator - Propane 60 Hz	2	3	3	4	5	C
	2405103	Gas Control/Regulator - Propane 50 Hz	2	3	3	4	5	C
30	G02352-1	7/16cc x 3/8 NPT Comp Elbow	2	3	4	6	6	
32	076050-80	Compression Elbow 1/4T X 1/8P #69-4A	1	2	2	3	3	
33	076029-144	3/8 x 1/8 Reducing Bushing	1	2	2	3	3	
35	2043600	Spark Plug Connector	1	2	2	3	3	
36	2152700	Ignition Control	1	2	2	3	3	C
36	4531250	Ignition Module 3-Tries Service Kit Note: Use this kit for any units built before June 8/2010. Ignition Module 2152700 is no longer available. Kit includes Ignition Module 4530025, Ground Wire CK4531249 for grounding the pilot bracket, lock nuts, and instructions.	1	2	2	3	3	C
	4530025	Ignition Module - 3 Tries Fenwal Note: For any units built after (date) June 9/2010 (model) CG-72R-0016 (serial#) 1006100100101.	1	2	2	3	3	C
38	G01518-1	Shut-Off Valve	1	1	1	1	1	C
39	2437100	1 - 3/4" Reducing Adaptor			1	1	2	
41	2450099	Manifold Assembly	1	1				
	2411099	Manifold Assembly			1	1	1	
46	G01747-3	3/8 Pipe Plug	1		2	1		
47A	2432000	Electronic Thermostat	2	3	4	5	6	
47B	4515805	Dial Scale Deg F450 (Insert 150 to 450)	2	3	4	5	6	

* NOT ILLUSTRATED

** For Units Built After 06/95

RECOMMENDED STOCK PARTS

GARLAND PARTS IDENTIFICATION
Master Gas Production Griddle R Series (Rear Drain)
GAW / CG-24R, 36R, 48R, 60R, 72R

ITEM	PART #	DESCRIPTION	24R	36R	48R	60R	72R	CRITICAL
47C	4516733	Dial W/Pointer 1.71" Dia	2	3	4	5	6	
47D*	4516840	Instructions – Dial / Scale Installation						
48	2448800	Upper Front Panel		1				
	2402200	Upper Front Panel			1			
	2440500	Upper Front Panel				1		
	2448900	Upper Front Panel					1	
50	G04055-2	Green Light	2	3	3	4	4	
51	2423301	Switch	1	1	1	1	1	C
52	2423300	Switch	2	3	4	5	6	C
53	2423400	Protection Cap	3	4	5	6	7	
54	2432100	Handle (Knob Guard)	4	6	8	10	12	
55	G04055-1	Amber Light	2	3	4	5	6	
56	2673200	Lower Front Panel	1					
	2449099	Lower Front Panel		1				
	2402399	Lower Front Panel			1			
	2440699	Lower Front Panel				1		
	2449199	Lower Front Panel					1	
57	G02251-1	Test Spigot	3	4	4	5	6	
58	G01738-4	3/4" NPT x 2 1/2" Nipple	1	1	1	1	2	
59	G01474-3	3/4" NPT to 1" NPT 90° Elbow Reducer					1	
60	G01474-5	3/4" NPT Elbow					1	
61	G01738-5	3/4" NPT x 6-1/2" Nipple					1	
62	076050-90	Comp Elbow 7/16" Tube x 1/4" Pipe	2	3			1	
63	4523399	Power Cord 9Ft – 3/14GA 15 Amps SJ00W	1	1	1	1	1	
64	078100-15	32.5 x 8 x 0.5 Insulation	2	2	2	2	2	
65	2409498	Rear Leg Assy R/H - Caster	1	1	1	1	1	
	2409495	Rear Leg Assy R/H - Foot	1	1	1	1	1	
	2409496	Rear Leg Assy - Counter	1	1	1	1	1	
	2527699**	Leg Assy R/H Caster	1	1	1	1	1	
	2517697**	Leg Assy R/H - Foot	1	1	1	1	1	
	2517695**	Leg Assy - Counter						
66	2409598	Front Leg Assy R/H - Caster	1	1	1	1	1	
	2409595	Front Leg Assy R/H - Foot	1	1	1	1	1	
	2409596	Front Leg Assy - Counter	1	1	1	1	1	
	2517698**	Leg Assy L/H - Caster	1	1	1	1	1	
	2517696**	Leg Assy L/H - Foot	1	1	1	1	1	
	2517695**	Leg Assy - Counter	1	1	1	1	1	
67	2409499	Rear Leg Assy L/H - Caster	1	1	1	1	1	
	2409497	Rear Leg Assy L/H - Foot	1	1	1	1	1	
	2409496	Rear Leg Assy - Counter	1	1	1	1	1	
	2517698**	Leg Assy L/H - Caster	1	1	1	1	1	
	2517696**	Leg Assy L/H - Foot	1	1	1	1	1	
	2517695**	Leg Assy - Counter	1	1	1	1	1	
68	2409599	Front Leg Assy L/H - Caster	1	1	1	1	1	
	2409597	Front Leg Assy L/H - Foot	1	1	1	1	1	
	2409596	Front Leg Assy - Counter	1	1	1	1	1	
	2517699**	Leg Assy R/H - Caster	1	1	1	1	1	
	2517697**	Leg Assy R/H - Foot	1	1	1	1	1	
	2517695**	Leg Assy - Counter	1	1	1	1	1	
69	G02954-1	Foot	4	4	4	4	4	
70	2437500	Transformer Support Bracket (G03559-1)	1	1	1			
70(a)*	2501400	Transformer Support Bracket (2283700) Exp.	1	1	1			
71	2501200	Electric Box - Top	1	1	1	1	1	

* NOT ILLUSTRATED

** For Units Built After 06/95

RECOMMENDED STOCK PARTS

GARLAND PARTS IDENTIFICATION
Master Gas Production Griddle R Series (Rear Drain)
GAW / CG-24R, 36R, 48R, 60R, 72R

ITEM	PART #	DESCRIPTION	24R	36R	48R	60R	72R	CRITICAL
72	2501300	Electric Box - Bottom Top	1	1	1	1	1	
73	2452800	Restraining Bracket	2	2	2	2	2	
74	2409998	Stand Shelf Assembly	1	1	1	1	1	
	2409999	Stand Shelf Assembly			1			
	2441199	Stand Shelf Assembly				1		
	2409997	Stand Shelf Assembly					1	
	2516999 ⁺⁺	Stand Shelf Assembly	1					
	2516998 ⁺⁺	Stand Shelf Assembly		1				
	2516997 ⁺⁺	Stand Shelf Assembly			1			
	2516996 ⁺⁺	Stand Shelf Assembly				1		
	2516995 ⁺⁺	Stand Shelf Assembly					1	
For Wendy's Units								
74(a)*	2521498	Frame Assy - 24 Caster	1					
	2489397	Frame Assy - 36 Caster		1				
	2489399	Frame Assy - 48 Caster			1			
	2489396	Frame Assy - 60 Caster				1		
	2489395	Frame Assy - 72 Caster					1	
	2521494	Frame Assy - Feet 24	1					
	2489393	Frame Assy - Feet 36		1				
	2489392	Frame Assy - Feet 48			1			
	2489391	Frame Assy - Feet 60				1		
	2489390	Frame Assy - Feet 72					1	
75	G01497-1	Strain Relief	1	1	1	1	1	
76	2426700	Pilot Bracket	1	2	2	3	3	
77	2456700	Valve Panel	1					
	2477400	Valve Panel		1				
	2435600	Valve Panel			1			
	2441000	Valve Panel				1		
	2449900	Valve Panel					1	
78	2409101	Body Frame			1			
	2440800	Body Frame				1		
	2449400	Body Frame		1				
	2449500	Body Frame					1	
	2453500	Body Frame	1					
	2516701 ⁺⁺	Body Frame		1				
	2516702 ⁺⁺	Body Frame			1			
	2516703 ⁺⁺	Body Frame				1		
	2516704 ⁺⁺	Body Frame					1	
79	2428900	Flue Spacer	2	2	3	3	5	
80*	2437200	Lighting Instructions Label						
81*	4523119	Label - Regulator						
82*	4523374	Label - Keep Flue Clear						
83	4524001	1/4" Tubing Solenoid - Pilot	1					
84	4524002	7/16" Tubing Solenoid - Manifold	1					
85*	4524003	7/16" Tubing Solenoid - Manifold Rt	1					
86	4520490	3/8" Tubing Solenoid - Orifice		1				
87	4524004	7/16" Tubing Solenoid - Manifold Ct		1				
88	4524005	7/16" Tubing Solenoid - Manifold Lt		1				
89	4524006	7/16" Tubing Solenoid - Manifold Rt		1				
90	4524007	3/8" Tubing Solenoid - Orifice		1				
91*	4520490	3/8" Tubing Solenoid - Orifice		2				

* NOT ILLUSTRATED

⁺⁺ For Units Built After 06/95

RECOMMENDED STOCK PARTS

GARLAND PARTS IDENTIFICATION
Master Gas Production Griddle R Series (Rear Drain)
GAW / CG-24R, 36R, 48R, 60R, 72R

ITEM	PART #	DESCRIPTION	24R	36R	48R	60R	72R	CRITICAL
92	4520495	1/4" Tubing Solenoid – Pilot Rt		1				
93	4520496	1/4" Tubing Solenoid – Pilot Single		1				

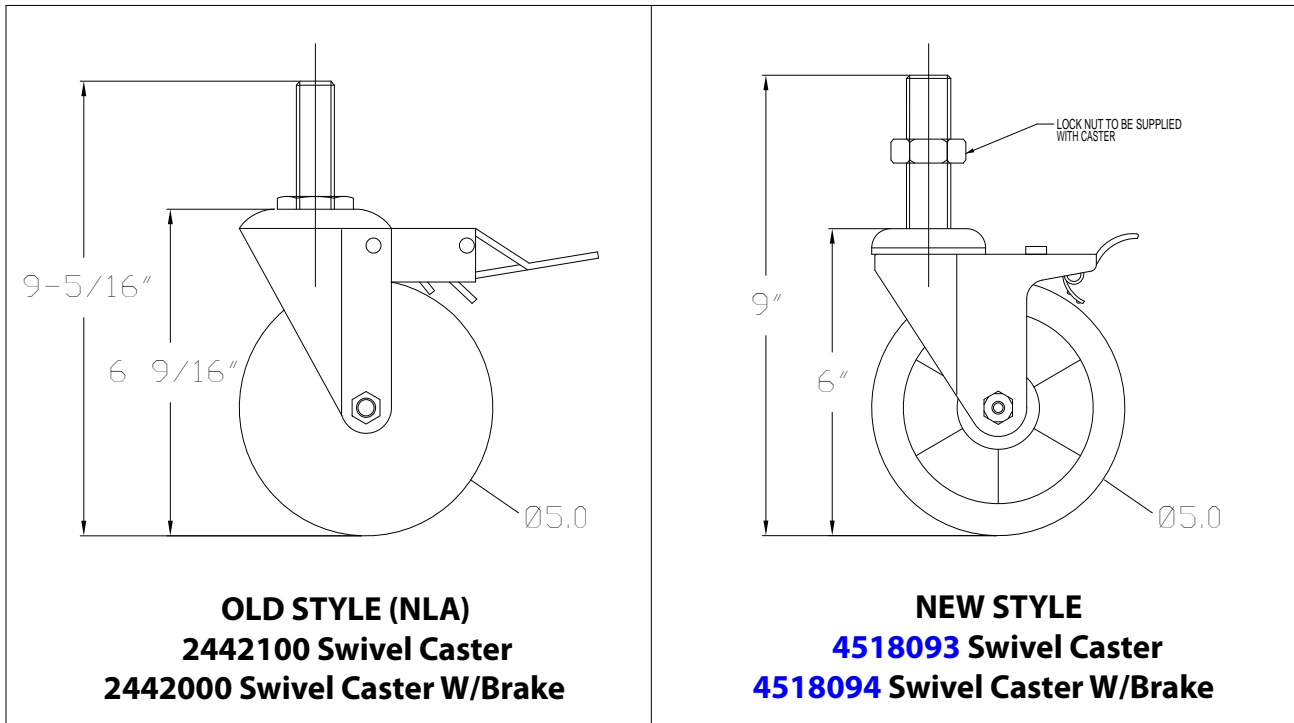
Kit Available

95	4516847	Dial Insert Kit - Includes 47B, 47C & 47D	2	3	4	4	5	
Optional legs for Chipotle Restaurants								
100	3063100	Leg Mount	2	2	2	2	2	
101	3063198	Leg Mount Assembly Left	1	1	1	1	1	
102	3063199	Leg Mount Assembly Right	1	1	1	1	1	
103	3073604	4" Griddle Leg	4	4	4	4	4	
104	G02954-1	2" Square Foot Insert	4	4	4	4	4	

* NOT ILLUSTRATED

++ For Units Built After 06/95

RECOMMENDED STOCK PARTS



Please note the differences between the old and the new casters. The new casters are .312" (5/16") shorter in the overall height. In this case, the new and the old casters are NOT interchangeable. However, both the new and the old versions use (5") diameter wheels.

IMPORTANT: When replacing an old caster, Garland highly recommends replacing ALL the remaining casters with new casters.

First unit manufactured with the new casters:
model CG-72R-0004
serial number 0410100108836
implementation date October 25/2004

Revision History (Griddles, CGxxR Series)

REV	PAGE#	ITEM#	NOTES	DATE
1	5	19	New Part Numbers 4518094	Dec 3/04
			New Part Numbers 4518093	
	9		New casters information	
2	4	47B, 47C	Drawing added	Feb 11/05
	6	47A	Description changed	
		47B, 47C	New part numbers	
	8	80	New kit part number	
3	5	5	Photo at the end footnote added	Sept 26/05
			Part # 2290400 replaced by # 2290404	
	10		Pilot photo added	
4	5	20	Part # 2444500 (Transformer - 120V) deleted On part # G03559-1 Description Corrected - was Transformer - 120V	Jan 25/07
5	4	21	Part # 2399498 (Radiation Shield - Left) replaced	Mar 13/07
		22	Part # 2403199 (Radiation Shield) replaced	
		23	Part # 2399399 (Radiation Shield - Double) replaced	
		24	Part # 2399499 (Radiation Shield - Right) replaced	
		25	Part # 2443299 (Radiation Shield) replaced	
6	5	5	Part number 2290404 quantity on model 24R changed to 1	Aug 10/07
7	5	3A	• Part # 2405201 (Burner Assembly - Left) NLA - New part # added • Part # 2405200 (Burner Assembly - Right) NLA - New part # added	Nov 30/07
		3B	Kits part number added to replace old to new burners	
		14	Item 14 deleted - no longer available, use 14A	
	4		All drawings are been Reformatted	
	4,8	80 to 93	New part number added	
	6	47D	New part number added	
	8	95	Item number and Description changed - was item 80	
8	6	63	New part number - was G2840-2 (SJT 3/14 15A Cord & Plug Set 120V)	July 8/08
9	6	39	Quantity changed under 72R model - was 1	Sept 8/08
10	6	32	Part # changed - was (G03674-3 , 1/8" N.P.T. Pilot Valve)	Nov 10/08
11	6	27	New part added	June 2/09
	5	18B		
	8	100, 101, 102, 103, 104		
		4		
12	5	13	Part number changed - was 2423501 (J Thermocouple)	Aug 7/09
		13A	New part number added	
13	6	36	Part added for use with equipment manufactured after June 9, 2010	Jun 17/10
14	6	36	• Service Kit Part# changed from 4527306 to 4530028 . • New module 4530025 replaced module 4527002 as of: (date) Sep 23/11, (model) CG-48R-0036, (serial#) 1109100101108.	Nov 22/11
15	5	4A	Added sensor wire 4517368 .	Sep 20/13
16	6	36	Kit 4531250 replaced Kit 4530028 , which was a replacement for 2152700 . PCO06378.	Oct 04/13



Master Gas Production Griddle, R Series, Rear Drain—CG xxR — Parts List

Garland Commercial Ranges, Ltd.
1177 Kamato Road
Mississauga, Ontario L4W 1X4 Canada
www.Garland-Group.com

Parts & Service
1 800 427 6668 (Phone, US & Canada)
1 800 361 7745 (Fax, US & Canada)

