



Garland®

G Series Infra-Red Cheesemelter

models

GIRCM36C

GIRCM36

GIRCM48

GIRCM60



PARTS LIST

Parts & Service

T (USA & Canada): 1 800 427 6668

F (USA & Canada): 1 800 361 7745

www.Garland-Group.com

Garland Commercial Ranges, Ltd.
1177 Kamato Road
Mississauga, Ontario L4W 1X4 Canada
www.Garland-Group.com

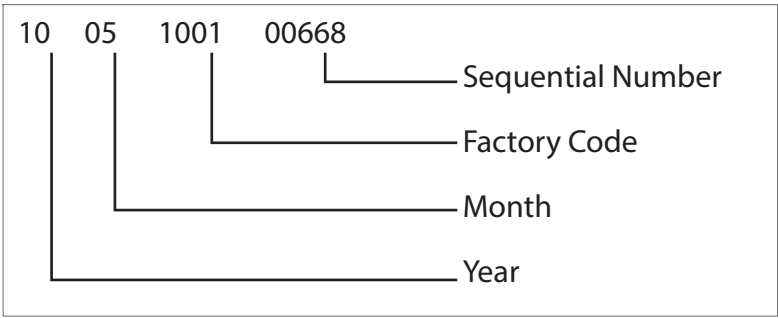


Rating Plate Location

Remove the rack to review the rating plate.



Serial Number Explained (13-Digits, Year/Month Information)



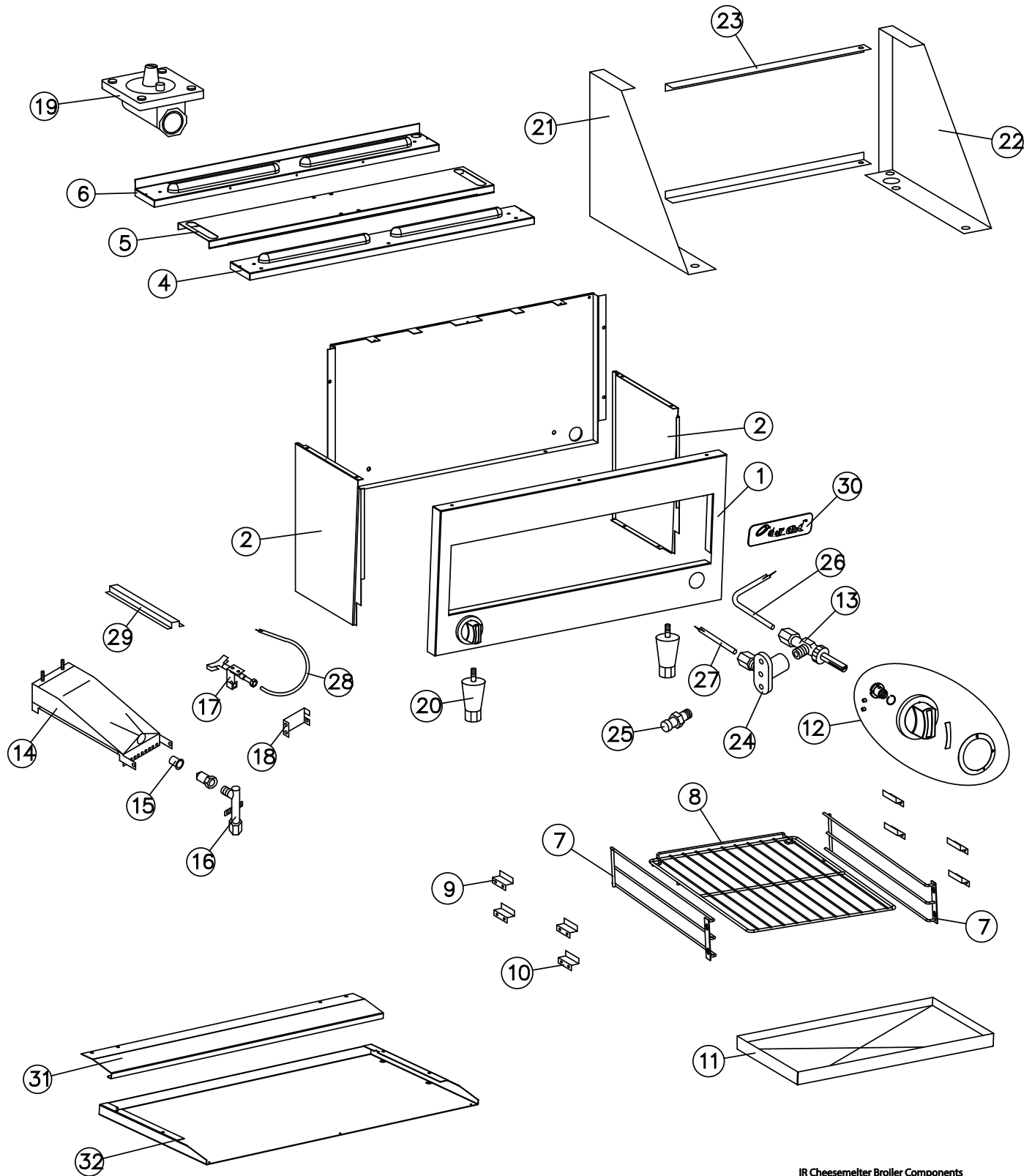


G Series Infra-Red Cheesemelter

Table of Contents

| | |
|--|----|
| Rating Plate Location / Serial Number Explained (Year/Month Information) | 2 |
| Components..... | 4 |
| Optional Inter-Connect Gas Kit | 6 |
| Rear Panel for 36in Model | 8 |
| Rear Panel for 48in Model | 9 |
| Rear Panel for 60in Model | 10 |
| Revision History | 11 |

This parts list is updated regularly. Please find the most current revision on our website @ www.Garland-Group.com



IR Cheesemelter Broiler Components

GARLAND PARTS IDENTIFICATION
G Series Infra-Red Cheesemelter
COMPONENTS

| ITEM | PART # | DESCRIPTION | QUANTITY | | | | CRITICAL |
|------|-----------------|---|----------|------|-----|-----|----------|
| | | | 36" | 36-C | 48" | 60" | |
| 1 | 1375901 | Front Frame Panel | 1 | 1 | 1 | 1 | |
| 2 | 1376701 | Side Panel Right/Left Hand -S/S | 2 | 2 | 2 | 2 | |
| 3 | 1377002 | Body Side Filler Right/Left Hand S/S | | 2 | | | |
| 4 | G01375-1-9 | Main Top Front S/S | 1 | 1 | 1 | 1 | |
| 5 | G01376-1-9 | Main Top Centre S/S | 1 | 1 | 1 | 1 | |
| 6 | G01377-1-9 | Main Top Back | 1 | 1 | 1 | 1 | |
| 7 | 9004000 | Rack Guide Right/Left Hand | 2 | 2 | 2 | 2 | |
| 8 | 9003901 | Rack Cheesemelter 34" (15D x 30W) | 1 | 1 | 1 | 1 | |
| 9 | 4515634 | Rack Guide Hold Down Bracket | 4 | 4 | 4 | 4 | |
| 10 | 1317600 | Rack Guide Bracket | 4 | 4 | 4 | 4 | |
| 11 | 1376401 | Crumb Tray 31" | 1 | 1 | 1 | 1 | |
| 12 | 4527471 | GIRCM Series Cheese Melter Knob Assembly | 2 | 2 | 2 | 2 | C |
| 13 | G01410-1 | HI - LO Valve | 2 | 2 | 2 | 2 | |
| 14 | 1035103 | Cheese Melter Burner | 2 | 2 | 2 | 2 | |
| 15 | M7-50 | Burner Orifice Natural Gas (North America / EXPORT) | 2 | 2 | 2 | 2 | C |
| | M7-56 | Burner Orifice Propane Gas (North America / EXPORT) | 2 | 2 | 2 | 2 | C |
| 16 | G01411-XX | Orifice Fitting Less Hood | 2 | 2 | 2 | 2 | |
| 17 | G0554-1 | Pilot Burner 3C-2 Natural Gas | 2 | 2 | 2 | 2 | C |
| | G0554-2 | Pilot Burner 3C-2 Propane Gas | 2 | 2 | 2 | 2 | C |
| 18 | 1376100 | Pilot Bracket | 2 | 2 | 2 | 2 | |
| 19 | 2127503 | Regulator Natural Gas 6.0" W/C | 1 | 1 | 1 | 1 | C |
| | 2127500 | Regulator Propane Gas 10" W/C | 1 | 1 | 1 | 1 | C |
| 20 | 078109-2 | 4" Adjustable Metal Leg Used for GIRCM36C Series Counter Model | | 4 | | | |
| 21 | 4526087 | Wall Mount Bracket LT S/S (OPTION for GIRCM36C Only) | | 1 | | | |
| 22 | 4526086 | Wall Mount Bracket RT S/S (OPTION for GIRCM36C Only) | | 1 | | | |
| 23 | G01467-1-5 | Angle Bracket 34" (OPTION for GIRCM36C Only) | | 2 | | | |
| 24 | 1037901 | Flanged Elbow For GIRCM | 2 | 2 | 2 | 2 | |
| 25 | G6809 | Pilot Adjustment Gum Valve 1/4 | 2 | 2 | 2 | 2 | |
| 26 | 4526119 | 7/16 x 24" Flex Tubing - Valve to Gas Manifold | 2 | 2 | 2 | 2 | |
| 27 | 4526119 | 7/16 x 24" Flex Tubing - Flanged Elbow to Orifice Fitting | 2 | 2 | 2 | 2 | |
| 28 | 4526120 | 1/4 x 36" Flex Tubing - Manifold to Pilot | 2 | 2 | 2 | 2 | |
| 29 | 4525990 | Pilot Tubing Shield | 2 | 2 | 2 | 2 | |
| 30 | 4529724 | Logo Plate - Large | 1 | 1 | 1 | 1 | |
| 31 | 4526038 | Heat Shield Front S/S (Only Used with Range Mount Models) | 1 | 1 | 1 | 1 | |
| 32 | 4526037 | Heat Shield Bottom S/S (Only Used with Range Mount Models) | 1 | | 1 | 1 | |
| 33* | 4526088 | Heat Shield Wall-Mount | | 1 | | | |
| 34* | G02251-1 | Pressure Test Spigot | 1 | 1 | 1 | 1 | |

* NOT ILLUSTRATED

RECOMMENDED STOCK PARTS

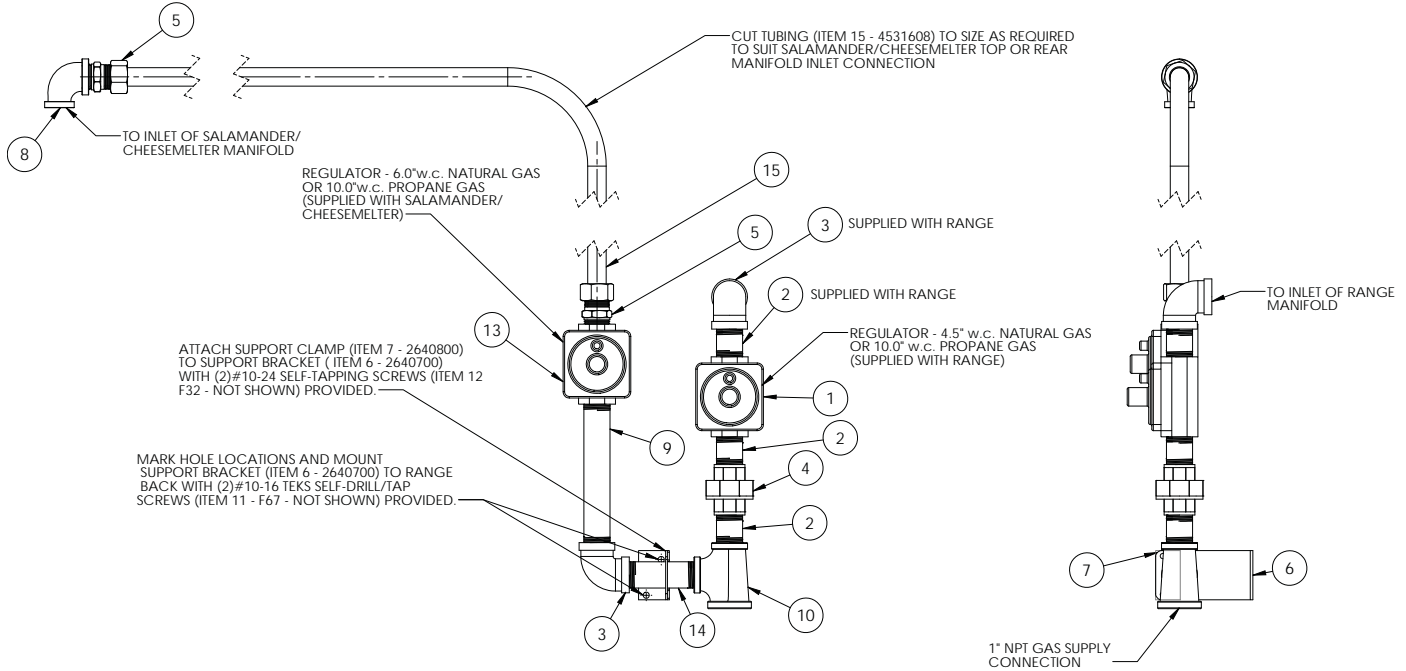
GARLAND PARTS IDENTIFICATION

G Series Infra-Red Cheesemelter

OPTIONAL INTER-CONNECT GAS KIT FOR 36" RANGE

The gas supply of the range mounted salamanders may be inter-connected with the supply of the range, so both units are supplied from a single gas connection. The supply gas piping should be a minimum of 1" (25mm) diameter to ensure enough gas capacity is available at the specified pressure to supply the total combined input rating of both appliances. The components comprising the optional inter-connect kit are shown below.

Optional Interconnect Gas Kit #4531606 - Version 1, Connecting to a 36in Range



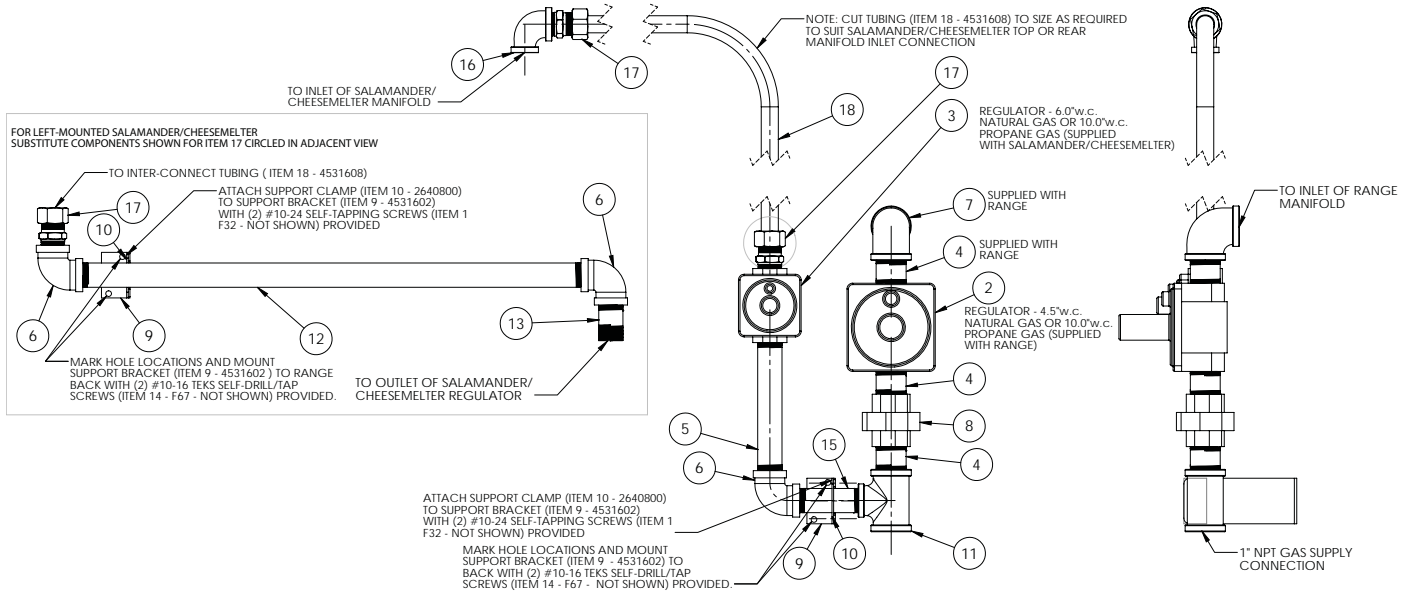
| ITEM | PART# | DESCRIPTION | QUANTITY 36" |
|------|-----------|---|--------------|
| 1 | 2127502 | 4.5"W.C 3/4"NPT, Regulator Natural Gas, supplied with Range | 1 |
| | 4525047 | 3/4" ISO 7-1, Regulator Natural Gas, supplied with Range | 1 |
| | 2127500 | 10"W.C 3/4"NPT, Regulator Propane Gas, supplied with Range | 1 |
| | 4525048 | 3/4" ISO 7-1, Regulator Propane Gas, supplied with Range | 1 |
| 2 | G01738-14 | Nipple, 3/4" NPT x 1/2" (one supplied with range) | 3 |
| 3 | G01474-5 | Elbow, 90deg, 3/4" NPT (one supplied with range) | 2 |
| 4 | G01963-1 | Union, 3/4" NPT | 2 |
| 5 | 301300 | 3/4"CC x 3/4" NPT Straight Fitting | 2 |
| 6 | 2640700 | Bracket, Pipe Support | 1 |
| 7 | 2640800 | Clamp, Pipe Support Bracket | 1 |
| 8 | G01474-9 | Reducing Elbow, 90deg, 3/4" NPT x 1/2" NPT | 1 |
| 9 | G01738-5 | Nipple, 3/4" NPT x 6.5" | 1 |
| 10 | G03716-1 | Reducing Tee, 3/4" NPT x 3/4" NPT x 1" | 1 |
| 11 | F67 | Screw, #10-16 x 1/2" Hex, Washer Head, Tek's Self-Drill/Tap (not shown) | 2 |
| 12 | F32 | Screw, #10-24 x 1/2" Pan Head, Self-Tap, Type F (not shown) | 2 |
| 13 | 2127503 | 6"W.C 3/4" NPT, Regulator Natural Gas, supplied with Salamander/Cheesemelter | 1 |
| | 2127500 | 10"W.C 3/4" NPT, Regulator Propane Gas, supplied with Salamander/Cheesemelter | 1 |
| 14 | G1738-11 | Nipple, 3/4" NPT x 3.5" | 1 |
| 15 | 4531608 | Tubing 3/4" | 1 |

GARLAND PARTS IDENTIFICATION

G Series Infra-Red Cheesemelter

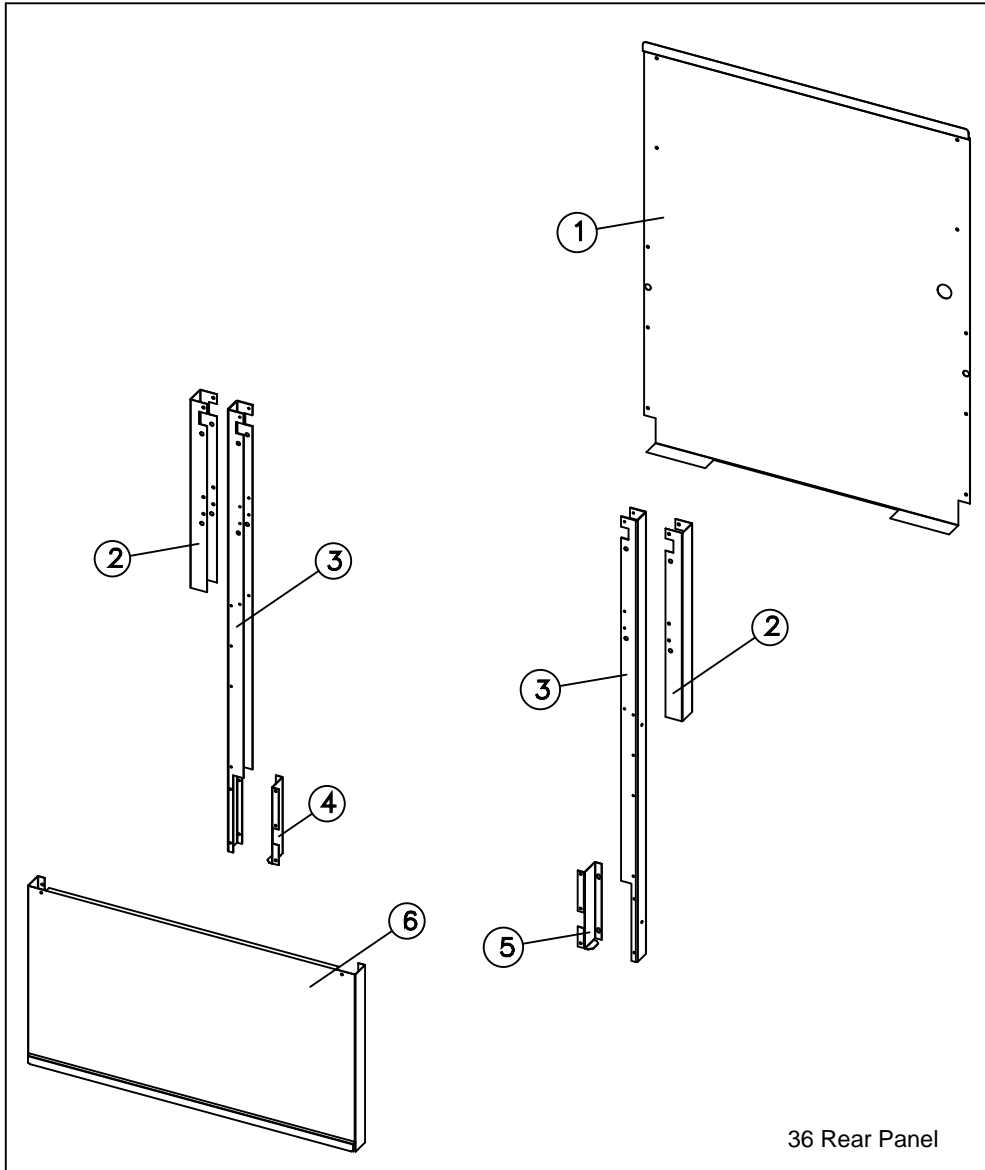
OPTIONAL INTER-CONNECT GAS KIT FOR 48"/60" RANGE

Optional Interconnect Gas Kit #4531606 - Version 2, Connecting to a 48in or 60in Range



| ITEM | PART# | DESCRIPTION | QUANTITY 48" / 60" |
|------|------------|---|-----------------------|
| 1 | F32 | Screw, #10-24 x 1/2" Pan Head, Self-Tap, Type F (not shown) | 4 |
| 2 | 4522421 | 4.5"W.C 1"NPT, Regulator Natural Gas, supplied with Range | 1 |
| | 4525049 | 1" ISO 7-1, Regulator Natural Gas, supplied with Range | 1 |
| | 4522422 | 10"W.C 1"NPT, Regulator Propane Gas, supplied with Range | 1 |
| | 4525050 | 1" ISO 7-1, Regulator Propane Gas, supplied with Range | 1 |
| 3 | 2127503 | 6"W.C 3/4" NPT, Regulator Natural Gas, supplied with Salamander/Cheesemelter | 1 |
| | 2127500 | 10"W.C 3/4" NPT, Regulator Propane Gas, supplied with Salamander/Cheesemelter | 1 |
| 4 | 076029-204 | Nipple, 1" NPT x 2" (one supplied with range) | 3 |
| 5 | G1738-5 | Nipple, 3/4" NPT x 6.5" | 1 |
| 6 | G01474-5 | Elbow, 90deg, 3/4" NPT | 3 |
| 7 | 076029-171 | Elbow, 90deg, 1" NPT (supplied with range) | 1 |
| 8 | 4530189 | Union, 1" NPT | 1 |
| 9 | 4531602 | Bracket, Pipe Support 48/60 | 2 |
| 10 | 2640800 | Clamp, Pipe Support Bracket | 2 |
| 11 | 3012800 | Reducing Tee, 1" NPT x 1" NPT x 3/4" | 1 |
| 12 | G01738-16 | Nipple, 3/4" NPT x 22.75" | 1 |
| 13 | G01738-14 | Nipple, 3/4" NPT x 2" | 1 |
| 14 | F67 | Screw, #10-16 x 1/2" Hex, Washer Head, Tek's Self-Drill/Tap (not shown) | 4 |
| 15 | G01738-11 | Nipple, 3/4" NPT x 3.5" | 1 |
| 16 | G01474-9 | Reducing Elbow, 90deg, 3/4" NPT x 1/2" NPT | 1 |
| 17 | 3013000 | 3/4"CC x 3/4" NPT Straight Fitting | 2 |
| 18 | 4531608 | Tubing 3/4" | 1 |

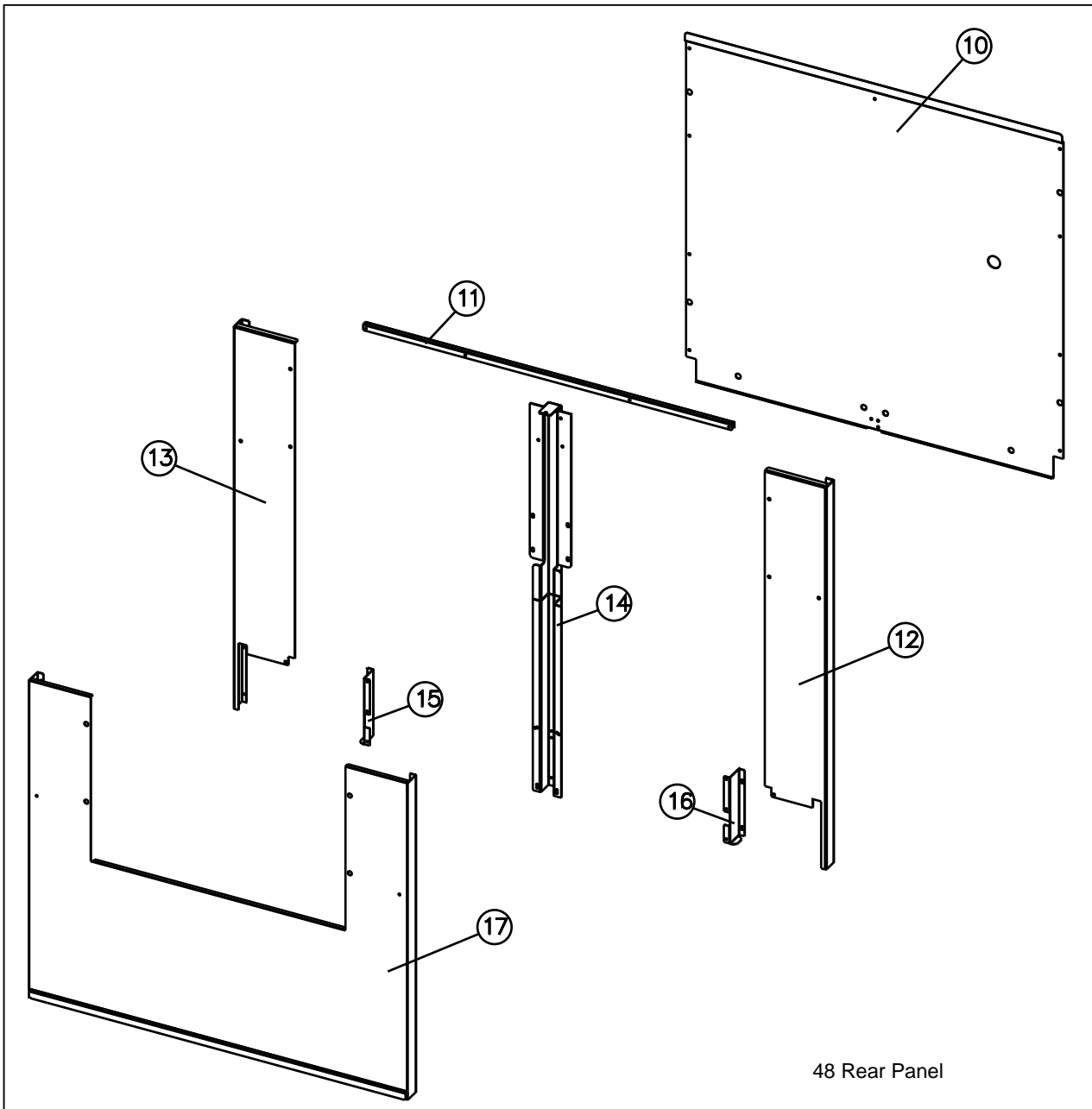
GARLAND PARTS IDENTIFICATION
G Series Infra-Red Cheesemelter
REAR PANEL FOR 36in MODEL



| ITEM | PART # | DESCRIPTION | QTY |
|------|---------|--|-----|
| 1 | 4525830 | Rear Panel G/UIRCM36/60 - Standard Back (Galvanized) | 1 |
| | 4525987 | Main Back Panel 36/60" Cheesemelter back Panel S/S | 1 |
| 2 | 4525844 | Upright Veneer - Cheesemelter Range Mount | 2 |
| 3 | 4525827 | 36/60" Cheesemelter Upright Bracket - Range Mount | 2 |
| 4 | 4523226 | Salamander Support - Left Hand | 1 |
| 5 | 4523227 | Salamander Support - Right Hand | 1 |
| 6 | 4523213 | 36" Cheesemelter Front Panel | 1 |

* NOT ILLUSTRATED
RECOMMENDED STOCK PARTS

GARLAND PARTS IDENTIFICATION
G Series Infra-Red Cheesemelter
REAR PANEL FOR 48in MODEL

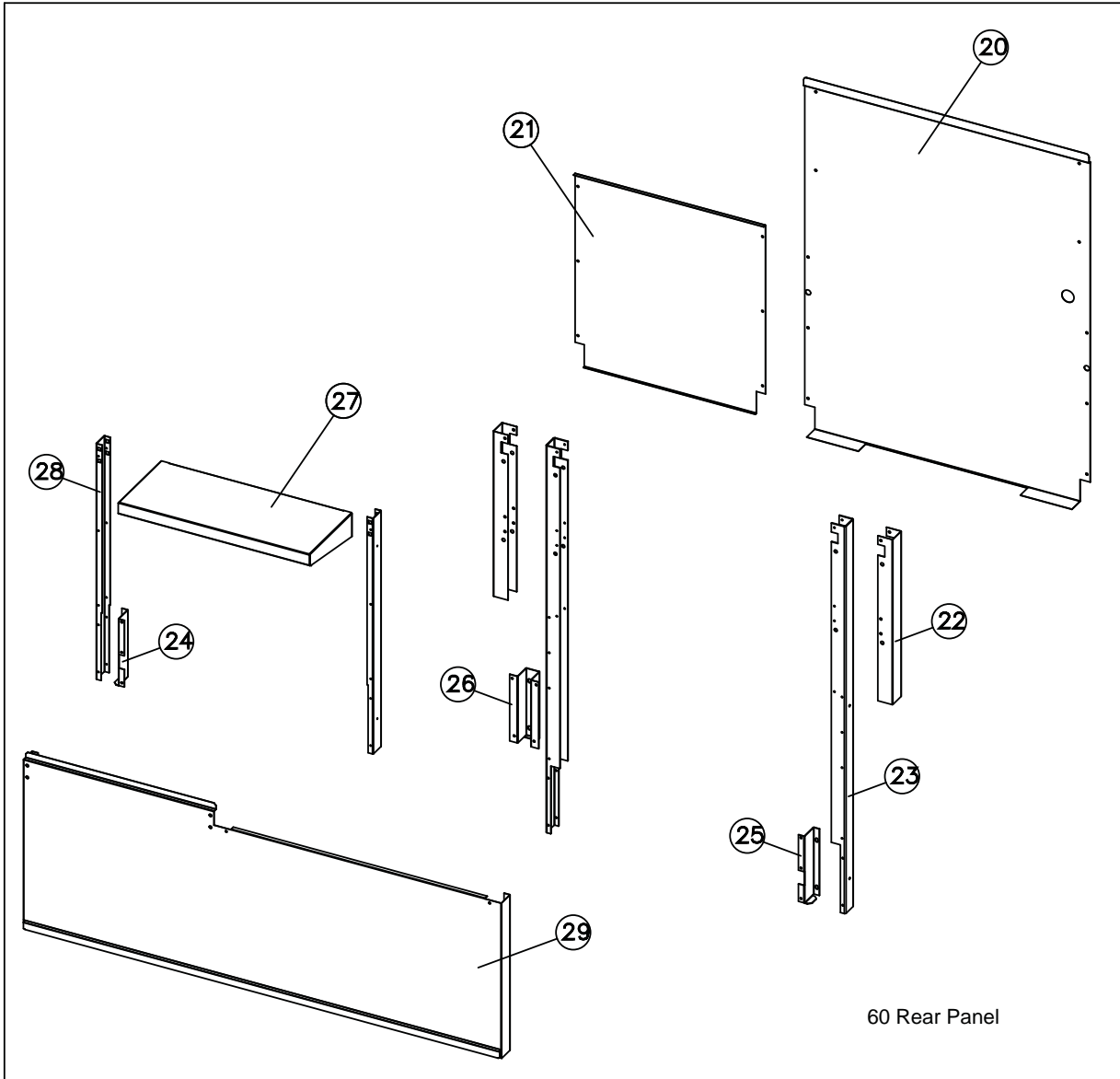


| ITEM | PART # | DESCRIPTION | QTY |
|------|---------|---|-----|
| 10 | 4525877 | Rear Panel G/UIRCM48 - Standard Back (Galvanized) | 1 |
| | 4525878 | Main Back Panel 48" Chessemelter S/S | 1 |
| 11 | 4526001 | ANTI-Sway Bar - Cheesemelter | 1 |
| 12 | 4525872 | Upright Left-Hand G/UIRCM48 (Range Mount Models) | 1 |
| 13 | 4525873 | Upright Right-Hand G/UIRCM48 (Range Mount Models) | 1 |
| 14 | 4525864 | Centre Support Bracket G/UIRCM48 (Range Mount Models) | 1 |
| 15 | 4523226 | Salamander Support - Left Hand | 1 |
| 16 | 4523227 | Salamander Support - Right Hand | 1 |
| 17 | 4525867 | Front Panel - G/UIRCM48" Range Mount Models | 1 |

* NOT ILLUSTRATED

RECOMMENDED STOCK PARTS

GARLAND PARTS IDENTIFICATION
G Series Infra-Red Cheesemelter
REAR PANEL FOR 60in MODEL



60 Rear Panel

| ITEM | PART # | DESCRIPTION | QTY |
|------|---------|---|-----|
| 20 | 4525830 | Rear Panel G/UIRCM36/60 - Standard Back (Galvanized) | 1 |
| | 4525987 | Main Back Panel 36/60" Cheesemelter back Panel S/S | 1 |
| 21 | 4523914 | 24IN High-Shelf Salamander Standard Back (Galvanized) | 1 |
| | 4523915 | 24IN High-Shelf Salamander Back S/S | 1 |
| 22 | 4525844 | Upright Veneer - Cheesemelter S/S | 2 |
| 23 | 4525827 | Cheesemelter Upright (Galvanized) | 2 |
| 24 | 4523226 | Salamander Support Left-Hand | 1 |
| 25 | 4523227 | Salamander Support Right-Hand | 1 |
| 26 | 4523282 | 60" Salamander High-Shelf Support Centre | 1 |
| 27 | 4523293 | 24" Shelf | 1 |
| 28 | 4523112 | Upright - High Shelf | 2 |
| 29 | 4523265 | 60" High Shelf Front Panel With Salamander | 1 |
| | 4523900 | 60IN Front Panel Salamander Right-Side | 1 |
| | 4523901 | 60IN Broiler/Griddle Front Panel Salamander Left-Side | 1 |

* NOT ILLUSTRATED

RECOMMENDED STOCK PARTS

REVISION HISTORY (GIRCM)

| REV | BY | PAGE/ITEM | NOTES | DATE |
|-----|----|--|---|-----------|
| 0 | | | New book. | MAY 26/10 |
| 1 | HH | p.2 pp.6-7 p.5 #30 p.5 #31-34 | Added serial# info, rating plate loc. New gas interconnect kits PCO 06579/07032 New logo plate. Corrected p/n and quantities | MAY 12/14 |



G Series Infra-Red Cheesemelter GIRCM — Parts List

Garland Commercial Ranges, Ltd.
1177 Kamato Road
Mississauga, Ontario L4W 1X4 Canada
www.Garland-Group.com

Parts & Service
1 800 427 6668 (Phone, US & Canada)
1 800 361 7745 (Fax, US & Canada)

