

# Induction RTCSmp Hold-Line Countertop and Built-In Heat Retaining Units

## Parts List

### Built-In Hold-Line Models

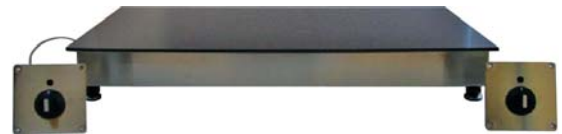
HO/IN 1500

HO/IN 450/900/1350/1800

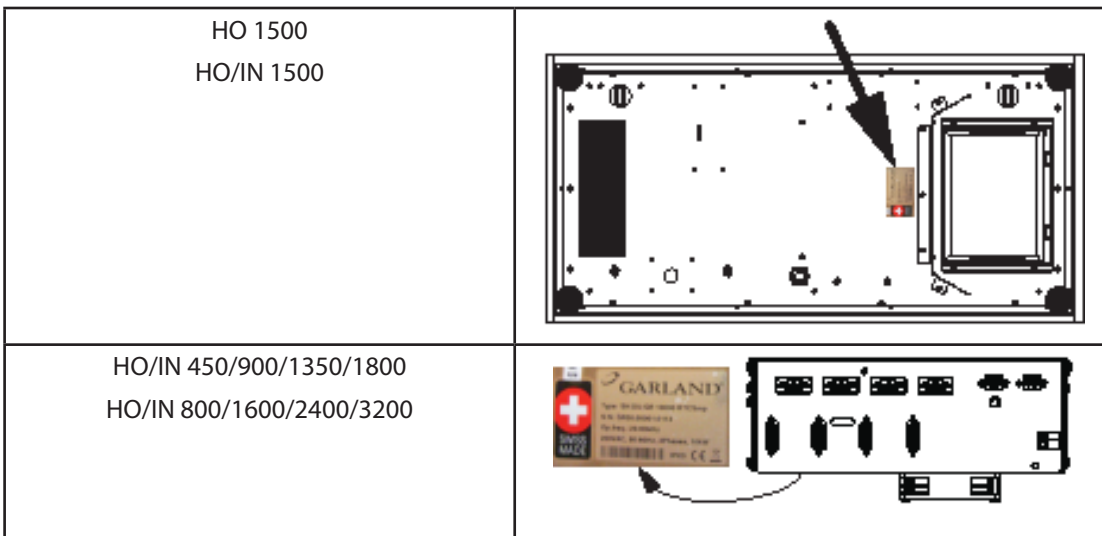
HO/IN 800/1600/2400/3200

### Countertop Hold-Line Model

HO 1500



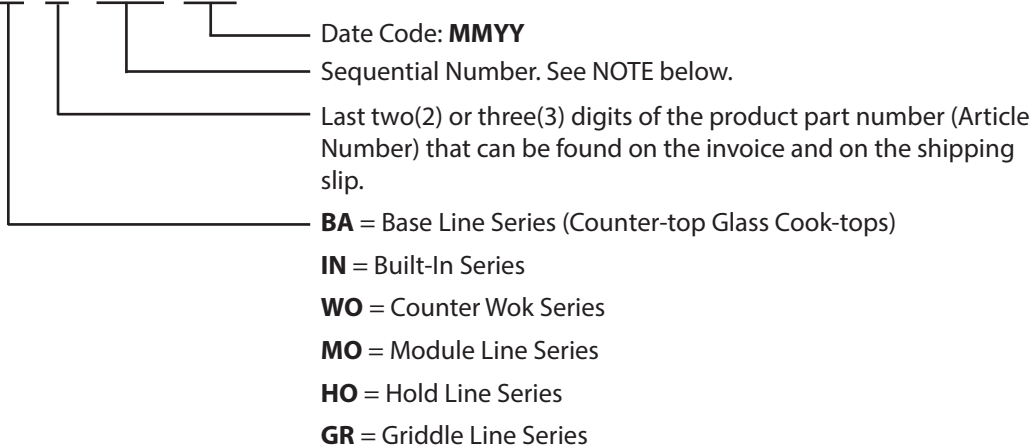
## Rating Plate Location



## Serial Number (S/N) Explained

The serial number of your unit is listed on the rating plate.

Example: IN 01 . 00014 . 1213



### NOTE: non-RTCS / RTCS / RTCSmp models

- A non-RTCS/RTCSmp unit has a 4-Digit Sequence Number.
- A RTCS or RTCSmp unit has a 5-Digit Sequence Number.
- A RTCSmp unit is indicated as such on the Rating Plate.

## Nomenclature and Models

| Series                   | bUILT-IN                     | Power (Watt)               | Models  |
|--------------------------|------------------------------|----------------------------|---|
| <b>HO</b> =<br>Hold Line | <b>IN</b> =<br>Built-In Line | <b>1500</b>                | <b>HO/IN 1500</b>   |
|                          |                              | <b>1800</b><br><b>3200</b> | <b>HO/IN 450/900/1350/1800</b><br><b>HO/IN 800/1600/2400/3200</b> |
|                          |                              | <b>1500</b>                | <b>HO 1500</b>  |

# Table of Contents

**Rating Plate Location** ..... 2

**Serial Number (S/N) Explained** ..... 2

**Nomenclature and Models** ..... 2

**REVISION HISTORY (Induction RTCSmp Hold-Line)** ..... 3

**Built-In Hold-Line HO/IN 450/900/1350/1800** ..... 4

**Built-In Hold-Line HO/IN 800/1600/2400/3200** ..... 6

**Built-In Hold-Line HO/IN 1500** ..... 8

**Countertop Hold-Line HO 1500** ..... 10

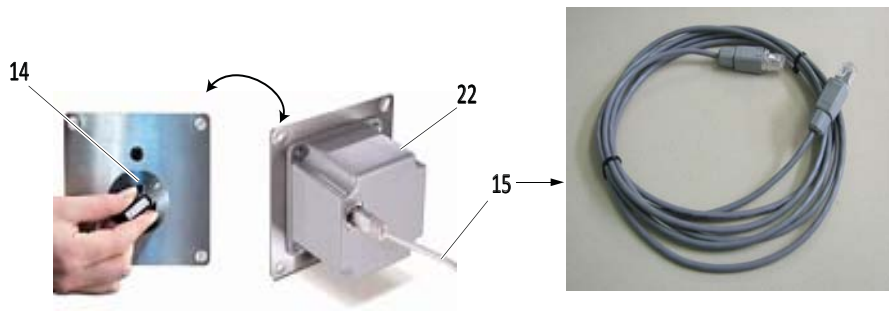
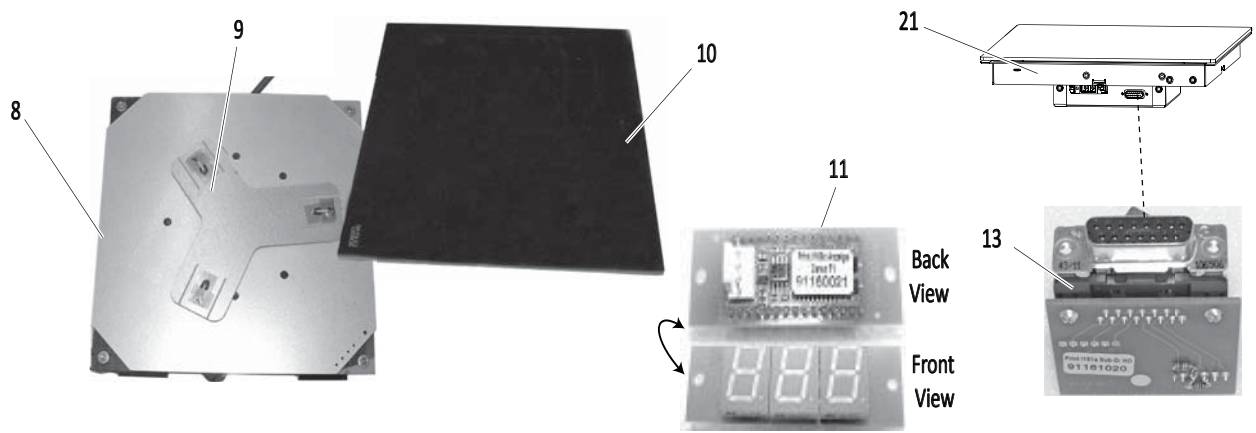
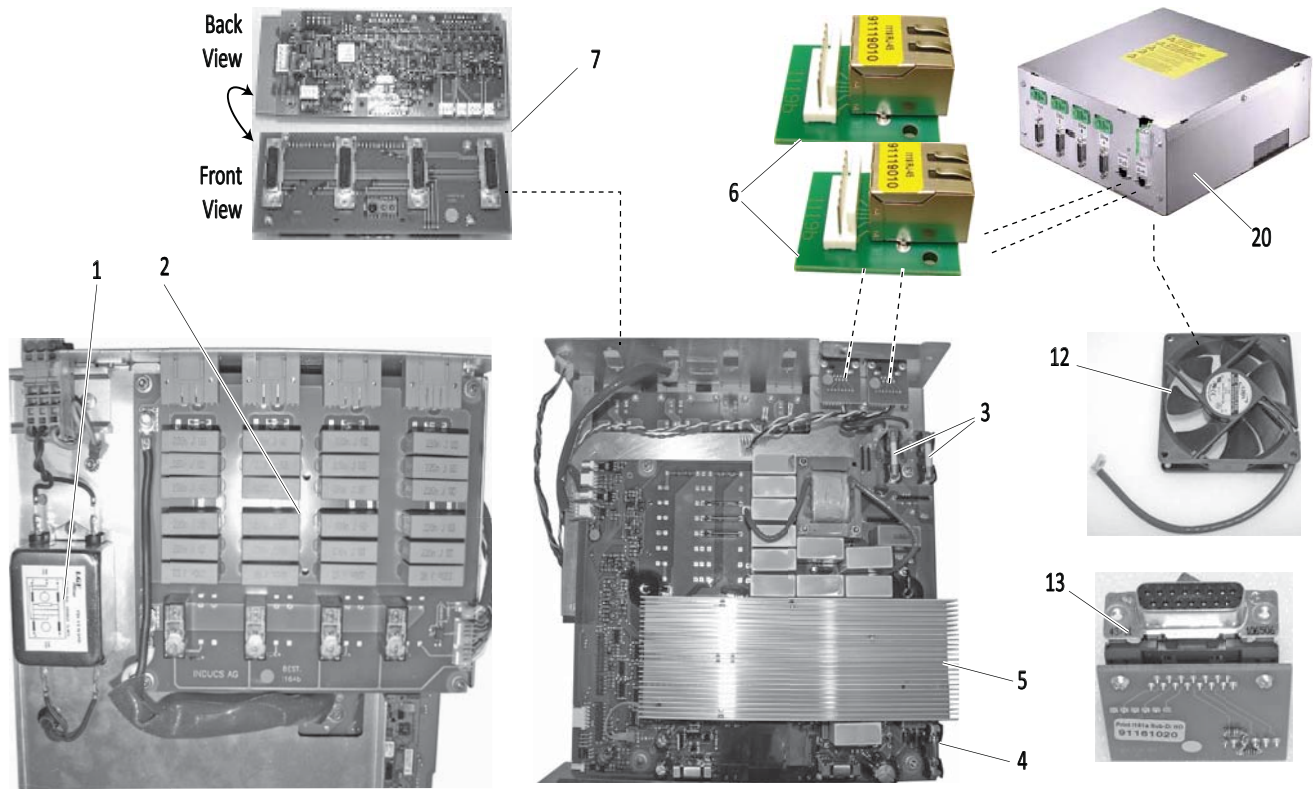
**Repair Accessories** ..... 12

**Recommended Stock Parts** ..... 13

## REVISION HISTORY (Induction RTCSmp Hold-Line)

| REV | MODEL<br>or page/item  | ITEM# | NOTES  | DATE      | BY |
|-----|--|-------|--|-----------|----|
| 0   | 99620161, 99980061<br>99620142, 99980060<br>99620121, 99980044<br>99620101, 99980045 |       | New Release  | 5-JUNE/14 | HH |
| 1   |  |       | Updated - serial number info, repair accessories<br>Checked art. nr., from our system QAD:<br>99980060, use 99620141 for 120V HO/IN1800.<br>99620142, use for 230V HO/IN1800.<br>99980061, use 99620161 for 208V HO/IN3200<br>99620162, use for 230V HO/IN3200 | 20-NOV/14 | HH |
|     | ALL 1.8 / 3.2 KW<br>MODELS   | 15    | Added photo for RJ45 cable 94900282. Other RJ45 cables<br>used in other models are different.  |           |    |
|     | P.5, P.7   | 13    | Remove quantity as confusing. Qyt in description   |           |    |
| 2   | HO/IN 1800/ 3200   | 5     | 98021723 replaced by 98021762 / 1739/ 1763/ 1747   | 13-JUL/17 | HH |
|     | HO/IN 3200-GN P.7  |       | Added notes on power module part#. No complete parts list<br>for article no. 99620175  |           |    |

# Built-In Hold-Line HO/IN 450/900/1350/1800



Parts Breakdown - HO IN 1800 and 3200

## Induction RTCSmp Built-In Hold-Line 1.8kW Models

models

HO/IN 450 (1 Generator, 1 Heat Retaining Plate, 1 Control)

HO/IN 900 (1 Generator, 2 Heat Retaining Plates, 2 Controls)

HO/IN 1350 (1 Generator, 3 Heat Retaining Plates, 2 Controls)

HO/IN 1800 (1 Generator, 4 Heat Retaining Plates, 2 Controls)

120V Induction Generator: 1.8kW 50/60Hz 1Phase 16A, Article No. 99620141

230V Induction Generator: 1.8kW 50/60Hz 1Phase 8A, Article No. 99620142

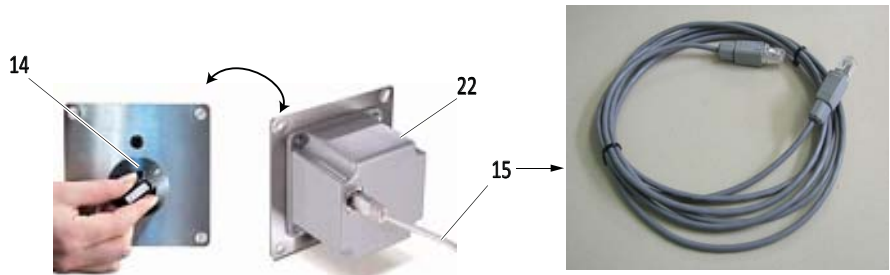
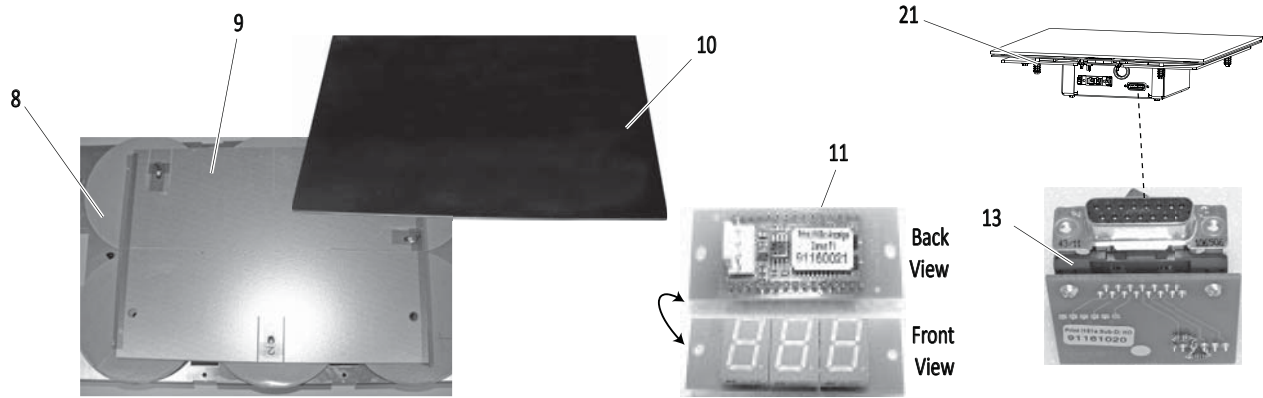
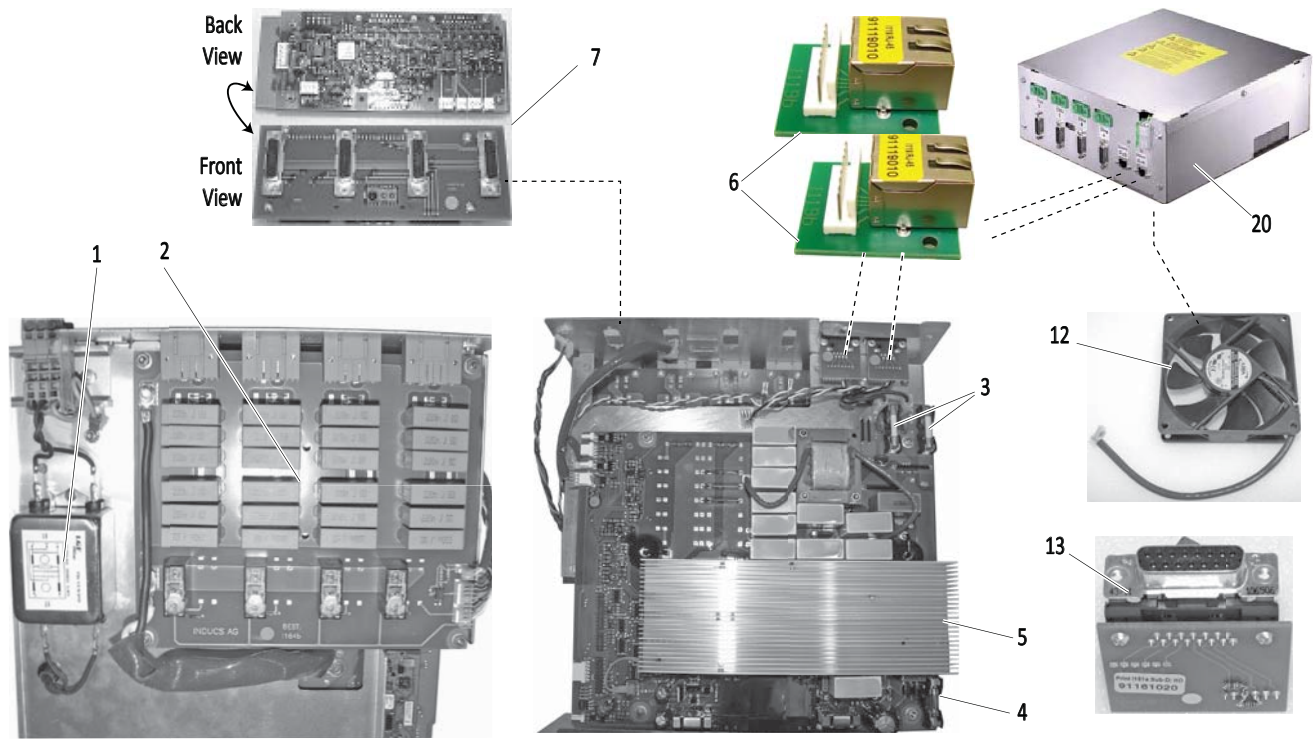
| Item | Description   | Part Number              | Qty    |        | R/C* |
|------|---|--------------------------|--------|--------|------|
|      |   |                          | 120V   | 230V   |      |
| 1    | Mains Line Filter 16A - CSA   | <a href="#">39311602</a> | 1      | 1      |      |
| 2    | Capacitor Board (Print I164b 1-4 / 1.8kW, 120V)   | 91164030                 | 1      |        |      |
|      | Capacitor Board (Print I164b 1-4 / 1.8kW, 230V)   | 91164010                 |        | 1      |      |
| 3    | Fuse T15A   | <a href="#">34120159</a> | 1      | 2      | R/C  |
| 4    | Fuse T1A  | <a href="#">34110019</a> | 1      | 1      | R/C  |
| ^    | Power Module, Complete (No parameters. Tech has to set parameters on site. Use <a href="#">98021762</a> / <a href="#">98021739</a> ). | <a href="#">98021723</a> |        |        |      |
| +    | 230V: Power Module, Complete with Parameters. HO/IN 1-4 1800 RTCSMP 230V 1N 1.8KW   | <a href="#">98021762</a> |        | 1      | R/C  |
| +    | 120V: Power Module, Complete with Parameters. HO/IN 1-4 1800 RTCSMP 120V 1N, 1.8KW  | <a href="#">98021739</a> | 1      |        | R/C  |
| 6    | RJ-45 Print 119 (Quantity = 2)  | <a href="#">91119010</a> | 2      | 2      | R/C  |
| 7    | RTCSmp Hold-Line Board (Print I133) degree <b>Fahrenheit</b>  | 91133150                 | 1      |        |      |
|      | RTCSmp Hold-Line Board (Print I133) degree <b>Celsius</b>   | 91133100                 |        | 1      |      |
| 8    | Induction Coil #45.06, 120V   | 93045060                 | 1      |        |      |
|      | Induction Coil #45.04   | 93045040                 |        | 1      |      |
| 9    | Sensor Unit, Round Coil (3xPT1k)  | <a href="#">94040130</a> | 1      | 1      | R/C  |
| 10   | Upper Part with Ceran Glass, Hold-Line, 322 x 322mm, Up to 4 Heat Plates per unit.  | 98300121                 | 1 TO 4 | 1 TO 4 |      |
| 11   | Digital Display Board under Ceran Glass, Print I160c, One per Heat Plate  | <a href="#">91160021</a> | 1 TO 4 | 1 TO 4 |      |
| 12   | Axial Fan 24V DC  | <a href="#">94090001</a> | 1      | 1      | R/C  |
| 13   | Print I161a D-Sub, Hold-Line, Qty=4 per Generator, Qty=1 per Heat Plate   | <a href="#">91161020</a> |        |        | R    |
| 14   | Plastic Knob, Plain, One per Control, Up to 2 Controls per Unit.  | <a href="#">39400004</a> | 1 TO 2 | 1 TO 2 | R    |
| 15   | RJ-45 Connecting Cable, Connect Control to Generator, 3-meter, 1 per Operation Unit.  | <a href="#">94900282</a> | 1 TO 2 |        | R    |
|      | RJ-45 Connecting Cable, Connect Control to Generator, 3-meter, 1 per Operation Unit.  | <a href="#">38602080</a> |        | 1 TO 2 | R    |
| 20   | Complete Generator Asm., RTCSmp HO/IN 1800, 120V  | 99620141                 | 1      |        |      |
|      | Complete Generator Asm., RTCSmp HO/IN 1800, 230V  | 99980060                 |        | 1      |      |
| 21   | Heat Retaining Plate Complete Assembly with Ceran Glass, RTCSmp Hold-Line 1800, 120V  | 98300099                 | 1 TO 4 |        |      |
|      | Heat Retaining Plate Complete Assembly with Ceran Glass, RTCSmp Hold-Line 1800, 230V  | <a href="#">98300066</a> |        | 1 TO 4 |      |
| 22   | Operation Unit/Control, RTCSmp Hold-Line 1800/3200, Qty=1 for every 2 Heat Plates   | <a href="#">94030039</a> | 1 TO 2 | 1 TO 2 | C    |

^ Revised

+ New

\* R=Recommended Stock Part / C=Critical Part

# Built-In Hold-Line HO/IN 800/1600/2400/3200



Parts Breakdown - HO IN 1800 and 3200

## Induction RTCSmp Built-In Hold-Line 3.2kW Models

models

HO/IN 800 (1 Generator, 1 Heat Retaining Plate, 1 Control)  
 HO/IN 1600 (1 Generator, 2 Heat Retaining Plates, 2 Controls)  
 HO/IN 2400 (1 Generator, 3 Heat Retaining Plates, 2 Controls)  
 HO/IN 3200 (1 Generator, 4 Heat Retaining Plates, 2 Controls)

208V Induction Generator: 3.2kW 50/60Hz 1Phase 16.2A, Article No. [99620161](#)

230V Induction Generator: 3.2kW 50/60Hz 1Phase 15.0A, Article No. [99620162](#)

Note: 230V HO/IN 3200-GN, 1Phase, 3.2kW, Article No. 99620175. - For Power Module (item#5), use part [98021763](#).

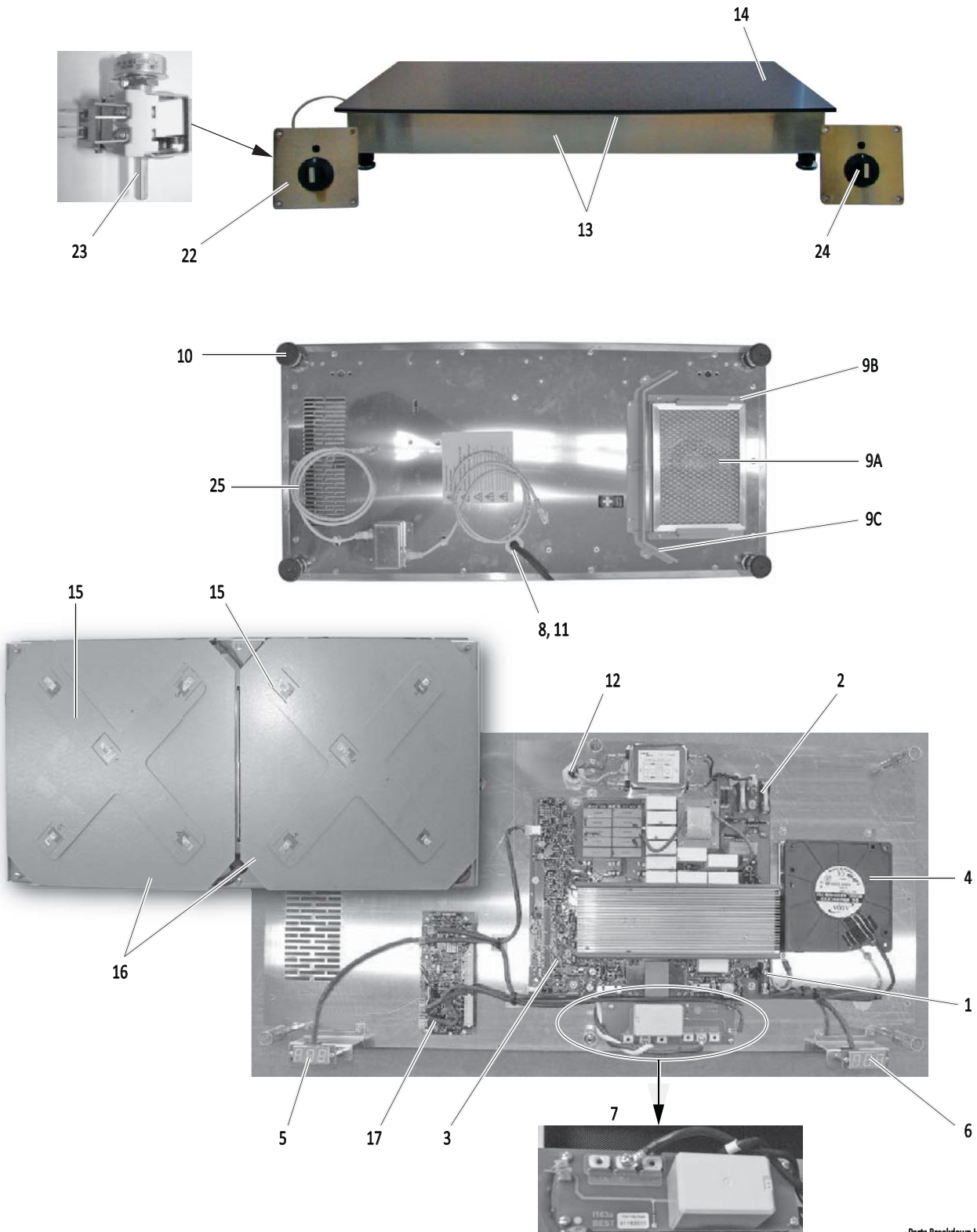
| Item | Description   | Part Number              | Qty    |        | R/C* |
|------|---|--------------------------|--------|--------|------|
|      |   |                          | 208V   | 230V   |      |
| 1    | Mains Line Filter 16A CSA/CE  | <a href="#">39311602</a> | 1      | 1      |      |
| 2    | Capacitor Board (Print I164b 1-4 / 3.2kW, 208V)   | 91164020                 | 1      | 1      |      |
| 3    | Fuse T15A   | <a href="#">34120159</a> | 2      | 2      | R/C  |
| 4    | Fuse T1A  | <a href="#">34110019</a> | 1      | 1      | R/C  |
| ^    | Power Module, Complete (No parameters. Tech has to set parameters on site. Use <a href="#">98021763</a> / <a href="#">98021747</a> ). | <a href="#">98021723</a> |        |        |      |
| +    | 230V: Power Module, Complete with Parameters. HO/IN 3200-GN RTCSMP 230V 3.2KW   | <a href="#">98021763</a> |        | 1      | R/C  |
| +    | 208V: Power Module, Complete with Parameters. HO/IN 1-4 3200-GN RTCSMP 208V 3.2KW   | <a href="#">98021747</a> | 1      |        | R/C  |
| 6    | RJ-45 Print 119 (Quantity = 2, 1 per Control Switch)  | <a href="#">91119010</a> | 2      | 2      | R/C  |
| 7    | RTCSmp Hold-Line Board (Print I133) degree <b>Fahrenheit</b>  | 91133150                 | 1      |        |      |
|      | RTCSmp Hold-Line Board (Print I133) degree <b>Celsius</b>   | 91133100                 |        | 1      |      |
| 8    | Induction Coil #43.01   | 30104303                 | 1      | 1      |      |
| 9    | Sensor Unit, HO/IN 3200   | 94040102                 | 1      | 1      | R/C  |
| 10   | Upper Part with Ceran Glass, Hold-Line, 520 x 320mm, Up to 4 Heat Plates per unit.  | <a href="#">98300122</a> | 1 TO 4 | 1 TO 4 |      |
| 11   | Digital Display Board under Ceran Glass, Print I160c, One per Heat Plate  | <a href="#">91160021</a> | 1 TO 4 | 1 TO 4 |      |
| 12   | Axial Fan 24V DC  | <a href="#">94090001</a> | 1      | 1      | R/C  |
| 13   | Print I161a D-Sub, Hold-Line, Qty=4 per Generator, Qty=1 per Heat Plate   | <a href="#">91161020</a> |        |        | R    |
| 14   | Plastic Knob, Plain, QTY=1 per Control, Up to 2 Controls per Unit.  | <a href="#">39400004</a> | 1 TO 2 | 1 TO 2 | R    |
| 15   | RJ-45 Connecting Cable, Connect Control to Generator, 3-meter, 1 per Operation Unit.  | <a href="#">94900282</a> | 1 TO 2 |        | R    |
|      | RJ-45 Connecting Cable, Connect Control to Generator, 3-meter, 1 per Operation Unit.  | <a href="#">38602080</a> |        | 1 TO 2 | R    |
| 20   | Complete Generator Asm., RTCSmp HO/IN 3200, 208V  | <a href="#">99620161</a> | 1      |        |      |
|      | Complete Generator Asm., RTCSmp HO/IN 3200, 230V  | 99980061                 |        | 1      |      |
| 21   | Heat Retaining Plate Complete Assembly with Ceran Glass, RTCSmp Hold-Line 3200, 208V  | <a href="#">98300180</a> | 1 TO 4 |        |      |
|      | Heat Retaining Plate Complete Assembly with Ceran Glass, RTCSmp Hold-Line 3200, 230V  | 98300070                 |        | 1 TO 4 |      |
| 22   | Operation Unit/Control, RTCSmp Hold-Line 1800/3200, Qty=1 for every 2 Heat Plates   | <a href="#">94030039</a> | 1 TO 2 | 1 TO 2 | R    |

^ Revised

+ New

\* R=Recommended Stock Part / C=Critical Part

# Built-In Hold-Line HO/IN 1500



Parts Breakdown Hold Line 1500

## Induction RTCSmp Built-In Hold-Line 1.5kW Models

models

HO/IN 1500, 1.5kW, 120V, 50/60Hz, 1Phase, Article. No. 99620121

HO/IN 1500, 1.5kW, 230V, 50/60Hz, 1Phase, Article No. 99980044

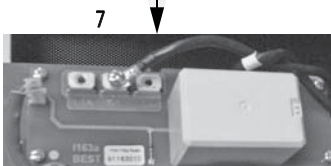
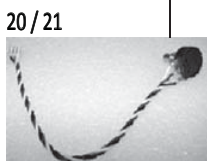
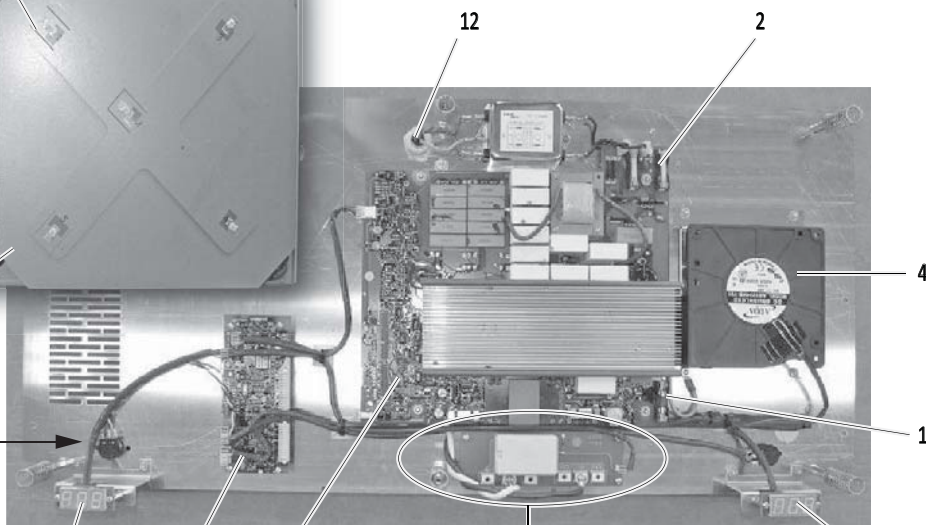
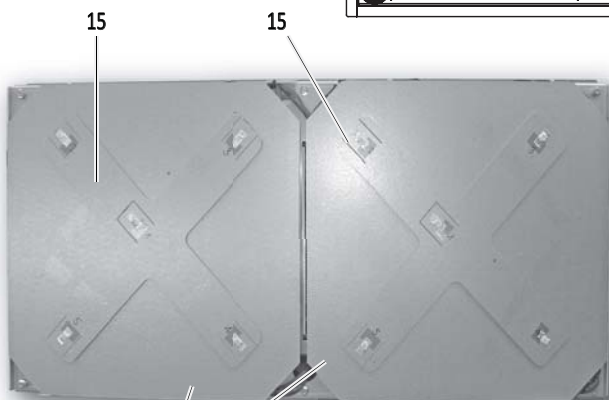
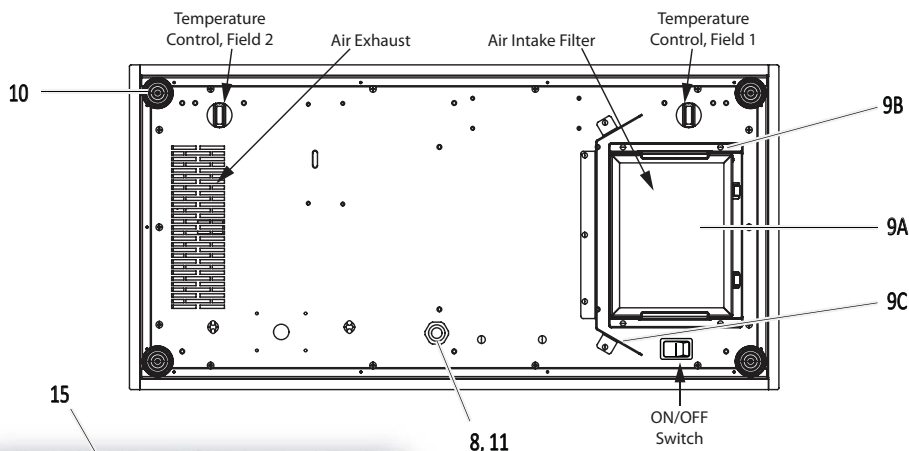
| Item | Description   | Part Number              | Qty  |      | R/C* |
|------|---|--------------------------|------|------|------|
|      |   |                          | 120V | 230V |      |
| 1    | Fuse T1A  | <a href="#">34110019</a> | 1    | 1    | R/C  |
| 2    | Fuse T15A   | <a href="#">34120159</a> | 2    | 2    | R/C  |
| ^    | 120V: Power Module, Complete, 1.5kW (No parameters. Technician has to set parameters on site. Use 98021738) | 98021724                 |      |      | R/C  |
| +    | 120V: Power Module, Complete, 1.5kW Already programmed with voltage specific parameters.                    | 98021738                 | 1    |      | R/C  |
|      | Power Module, Complete, 230V, 1.5kW   | 98021720                 |      | 1    | R/C  |
| 4    | Fan, Hold-Line, RTCSmp  | 94090005                 | 1    | 1    | R/C  |
| 5    | Digital Display Board (Print I160c) F1  | <a href="#">91160021</a> | 1    | 1    |      |
| 6    | Digital Display Board (Print I160c) F2  | 91160031                 | 1    | 1    |      |
| 7    | Relay Board, Hold-Line (Print I163a)  | 91163010                 | 1    | 1    |      |
| 8    | Mains Cable USA with Plug type 5/15A, 3x14 AWG  | 38614032                 | 1    |      |      |
|      | Mains Cable EU with Plug  | <a href="#">38615030</a> |      | 1    |      |
| 9A   | Grease Filter 200x 150x 12mm (Air Intake Filter)  | <a href="#">71000003</a> | 1    | 1    | R    |
| 9B   | Filter Holder   | 77261030                 | 1    | 1    |      |
| 9C   | Air Deflector   | <a href="#">72300520</a> | 1    | 1    |      |
| 10   | Foot Assembly, Adjustable   | <a href="#">95000120</a> | 4    | 4    |      |
| 11   | Screw Nut PG 13.5   | <a href="#">39500001</a> | 1    | 1    |      |
| 12   | Screwed Cable Gland PG 13.5   | <a href="#">39500007</a> | 1    | 1    |      |
| 13   | Housing with Glass, Hold-Line   | 98300109                 | 1    | 1    |      |
| 14   | Ceran Glass, 400x 800x 4mm  | <a href="#">77408001</a> | 1    | 1    |      |
| 15   | Sensor Unit   | 94040100                 | 1    | 1    | R/C  |
| 16   | Coil Carrier with Coils 46.05/46.06, Hold-Line 120V   | <a href="#">98104611</a> | 1    |      |      |
|      | Coil Carrier with Coils 46.01/46.02, Hold-Line 230V   | <a href="#">98104601</a> |      | 1    |      |
| 17   | RTCSmp Hold-Line with IR Board (Print I133)   | 91133090                 | 1    | 1    |      |
| 22   | Operation Unit, RTCSmp Install Hold Line  | <a href="#">94030039</a> | 2    | 2    | R    |
| 23   | Potentiometer with Connector 2 Pol. (metal)   | <a href="#">94010001</a> | 2    | 2    | R/C  |
| 24   | Plastic Knob  | <a href="#">39400004</a> | 2    | 2    | R    |
| 25   | Cable, RJ-45 Connection 3-meter, UTP  | <a href="#">94900282</a> | 2    |      | R    |
|      | Cable, RJ-45 Connection 1-meter, UTP  | 38602083                 |      | 2    | R    |

^ Revised

+ New

\* R=Recommended Stock Part / C=Critical Part

# Countertop Hold-Line HO 1500



Parts Breakdown Hold Line 1500

## Induction RTCSmp Built-In Hold-Line 1.5kW Models

models

HO 1500, 1.5kW, 120V, 50/60Hz, 1Phase, Article No. 99620101

HO 1500, 1.5kW, 230V, 50/60Hz, 1Phase, Article No. 99980045









|   | Item | Description   | Part Number              | Qty  |      | R/C* |
|---|------|---|--------------------------|------|------|------|
|   |      |   |                          | 120V | 230V |      |
|   | 1    | Fuse T1A  | <a href="#">34110019</a> | 1    | 1    | R/C  |
|   | 2    | Fuse T15A   | <a href="#">34120159</a> | 2    | 2    | R/C  |
| ^ |      | 120V: Power Module, Complete, 1.5kW (No parameters. Technician has to set parameters on site. Use 98021738) | 98021724                 |      |      | R/C  |
| + | 3    | 120V: Power Module, Complete, 1.5kW Already programmed with voltage specific parameters.                    | 98021738                 | 1    |      | R/C  |
|   |      | 230V: Power Module, Complete, 1.5kW   | 98021720                 |      | 1    | R/C  |
|   | 4    | Fan, Hold-Line, RTCSmp  | 94090005                 | 1    | 1    | R/C  |
|   | 5    | Digital Display Board (Print I160c) F1  | <a href="#">91160021</a> | 1    | 1    |      |
|   | 6    | Digital Display Board (Print I160c) F2  | 91160031                 | 1    | 1    |      |
|   | 7    | Relay Board, Hold-Line (Print I163a)  | 91163010                 | 1    | 1    |      |
|   | 8    | Mains Cable USA with Plug type 5/15A, 3x14 AWG  | 38614032                 | 1    |      |      |
|   |      | Mains Cable EU with Plug  | <a href="#">38615030</a> |      | 1    |      |
|   | 9A   | Grease Filter 200x 150x 12mm (Air Intake Filter)  | <a href="#">71000003</a> | 1    | 1    | R    |
|   | 9B   | Filter Holder   | 77261030                 | 1    | 1    |      |
|   | 9C   | Air Deflector   | <a href="#">72300520</a> | 1    | 1    |      |
|   | 10   | Foot Assembly, Adjustable   | <a href="#">95000120</a> | 4    | 4    |      |
|   | 11   | Screw Nut PG 13.5   | <a href="#">39500001</a> | 1    | 1    |      |
|   | 12   | Screwed Cable Gland PG 13.5   | <a href="#">39500007</a> | 1    | 1    |      |
|   | 13   | Housing with Glass, Hold-Line   | 98300109                 | 1    | 1    |      |
|   | 14   | Ceran Glass, 400x 800x 4mm  | <a href="#">77408001</a> | 1    | 1    |      |
|   | 15   | Sensor Unit   | 94040100                 | 1    | 1    | R/C  |
|   | 16   | Coil Carrier with Coils 46.05/46.06, Hold-Line 120V   | <a href="#">98104611</a> | 1    |      |      |
|   |      | Coil Carrier with Coils 46.01/46.02, Hold-Line 230V   | <a href="#">98104601</a> |      | 1    |      |
|   | 17   | RTCSmp Hold-Line with IR Board (Print I133)   | 91133090                 | 1    | 1    |      |
|   | 18   | Rotary Knob, 21mm Diameter, No Marking  | 39400008                 | 2    | 2    | R    |
|   | 19   | Cover, Rotary Knob, No Marking  | 39400009                 | 2    | 2    |      |
|   | 20   | Potentiometer with Cable, F1, Hold-Line   | 94900145                 | 1    | 1    | R/C  |
|   | 21   | Potentiometer with Cable F2, Hold-Line  | 94900146                 | 1    | 1    | R/C  |

^ Revised

+ New

\* R=Recommended Stock Part / C=Critical Part

## Repair Accessories

| Photo   | Description  | Part Number              |
|---|--|--------------------------|
|    | <p>IR Adapter<br/>Usage: To receive infrared signals from an induction cooker and communicate via a HyperTerminal, or equivalent, on a laptop or other mobile peripherals. Might require additional adapters (not provided).</p> | <a href="#">98990001</a> |
|    | <p>USB- RS232 Adapter<br/>Usage: To connect an IR Adapter (<a href="#">98990001</a>) to a computer/device that does not have any RS232 connector.</p>  | <a href="#">39800001</a> |
|    | <p>Heat Sink Compound P12.<br/>Usage: To mount IGBT or Print/Board onto a Heatsink.</p>  | <a href="#">70000020</a> |
|    | <p>Short Circuit (Service) Plug (RTCS only, Not for RTCSmp)<br/>Usage: To initialize CU sensors.</p>   | <a href="#">94900096</a> |
|   | <p>High Temperature Tape 16mm<br/>Usage, for example: To retain PTC(RTC) sensors; to be used as a temporary adhesive; to be used as a high temperature insulator for coil repair.</p>  | <a href="#">70000022</a> |
|  | <p>Silicone Glue PACTAN 7076 (for Installation)</p>  | <a href="#">70000015</a> |
|  | <p>Wire Punch Down Tool</p>  | <a href="#">79000024</a> |
|  | <p>Calibration or Test Plates:<br/>Use these plates to calibrate and verify pan detection settings.</p>  |                          |
|   | <p>Calibration Plate, Ø 120mm, with Handle</p>   | <a href="#">79000120</a> |
|   | <p>Calibration Plate, Ø 100mm, with Handle</p>   | <a href="#">79000100</a> |
|   | <p>Calibration Plate, Ø 90mm, with Handle</p>  | <a href="#">79000090</a> |
|   | <p>Calibration Plate, Ø 70mm, with Handle</p>  | <a href="#">79000070</a> |

## Recommended Stock Parts

| Part Number | Description   | HO/IN1800 |           | HO/IN3200 |           | HO/IN1500 |      | HO1500 |      |
|-------------|---|-----------|-----------|-----------|-----------|-----------|------|--------|------|
|             |   | 120V      | 230V      | 208V      | 230V      | 120V      | 230V | 120V   | 230V |
| 34120159    | Fuse T15A   | 1         | 2         | 2         | 2         | 2         | 2    | 2      | 2    |
| 34110019    | Fuse T1A  | 1         | 1         | 1         | 1         | 1         | 1    | 1      | 1    |
| 98021762    | Power Module, Complete. HO/IN 1-4 1800 RTCSMP 230V IN 1.8KW             |           | 1         |           |           |           |      |        |      |
| 98021739    | Power Module, Complete. HO/IN 1-4 1800RTCSMP 120V IN, 1.8KW             | 1         |           |           |           |           |      |        |      |
| 98021763    | Power Module, Complete. HO/IN 3200-GN RTCSMP 230V 3.2KW                 |           |           |           | 1         |           |      |        |      |
| 98021747    | Power Module, Complete. HO/IN 1-4 3200-GN RTCSMP 208V 3.2KW             |           |           | 1         |           |           |      |        |      |
| 98021724    | Power Module, Complete, 120V, 1.5kW                                     |           |           |           |           | 1         |      | 1      |      |
| 98021720    | Power Module, Complete, 230V, 1.5kW                                     |           |           |           |           |           | 1    |        | 1    |
| 91119010    | RJ-45 Print 119   | 2         | 2         | 2         | 2         |           |      |        |      |
| 94040130    | Sensor Unit, Round Coil (3xPT1k)  | 1         | 1         | -         | -         |           |      |        |      |
| 94040102    | Sensor Unit, HO/IN 3200   | -         | -         | 1         | 1         |           |      |        |      |
| 94040100    | Sensor Unit   |           |           |           |           | 1         | 1    | 1      | 1    |
| 94090001    | Axial Fan 24V DC  | 1         | 1         | 1         | 1         |           |      |        |      |
| 94090005    | Fan, Hold-Line, RTCSmp  |           |           |           |           | 1         | 1    | 1      | 1    |
| 91161020    | Print I161a D-Sub, Hold-Line, Qty=4 on Generator, Qty=1 on a Heat Plate |           |           |           |           |           |      |        |      |
| 94900282    | RJ-45 Cable, 3-meter, 1 per Operation Unit.                             | 1 TO<br>2 | -         | 1 TO<br>2 | -         | 2         |      |        |      |
| 38602080    | RJ-45 Cable, 3-meter, 1 per Operation Unit.                             | -         | 1 TO<br>2 | -         | 1 TO<br>2 |           |      |        |      |
| 38602083    | RJ-45 Cable, 1-meter, UTP   |           |           |           |           |           | 2    |        |      |
| 71000003    | Grease Filter 200x 150x 12mm (Air Intake Filter)                        |           |           |           |           | 1         | 1    | 1      | 1    |
| 94030039    | Operation Unit, RTCSmp Install Hold Line                                | 1 TO<br>2 | 1 TO<br>2 | 1 TO<br>2 | 1 TO<br>2 | 2         | 2    |        |      |
| 94010001    | Potentiometer with Connector 2 Pol. (metal)                             |           |           |           |           | 2         | 2    |        |      |
| 94900145    | Potentiometer with Cable, F1, Hold-Line                                 |           |           |           |           |           |      | 1      | 1    |
| 94900146    | Potentiometer with Cable F2, Hold-Line                                  |           |           |           |           |           |      | 1      | 1    |
| 39400004    | Plastic Knob, Plain, One per Control                                    | 1 TO<br>2 | 1 TO<br>2 | 1 TO<br>2 | 1 TO<br>2 | 2         | 2    |        |      |
| 39400008    | Rotary Knob, 21mm Diameter, No Marking                                  |           |           |           |           |           |      | 2      | 2    |



1-844-724-CARE • 1-844-724-2273  
[www.mtwkitchencare.com](http://www.mtwkitchencare.com)  
[www.garland-group.com](http://www.garland-group.com)