

SUNFIRE®

Electric Convection Ovens

models **ICO-E-10, ICO-E-20**

UP TO

(serial#) **12052300xxxxx** *(date)* **31-May-12**

PARTS LIST

Phone (US & Canada): 1 800 427 6668

Fax (US & Canada): 1 800 361 7745

www.Garland-Group.com

Quality Factory Replacement Parts for the World's Finest Foodservice Equipment Solutions

This parts list is updated regularly. Please find the most current revision
on our website @ www.Garland-Group.com

SUNFIRE®

Electric Convection Ovens *models* **ICO-E-10, ICO-E-20**

UP TO

(serial#) **12052300xxxxx** *(date)* **31-May-12**

Table of Contents

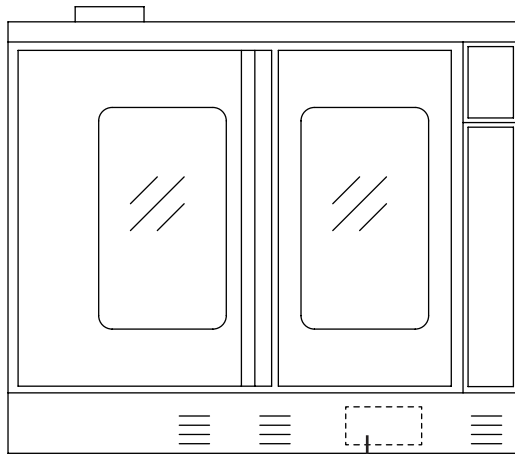
<i>Rating Plate Location / Serial# Interpretation</i>	5
<i>Manual Control Panel Components</i>	6
<i>Door Components & Assemblies</i>	8
<i>Oven Components</i>	12
<i>Main Exterior Components</i>	14
<i>List of Wiring Diagrams, Caster and Ventilatio Kits</i>	16
<i>Revision History</i>	17
<i>Related Bulletins</i>	17

Blank Page

Rating Plate Location

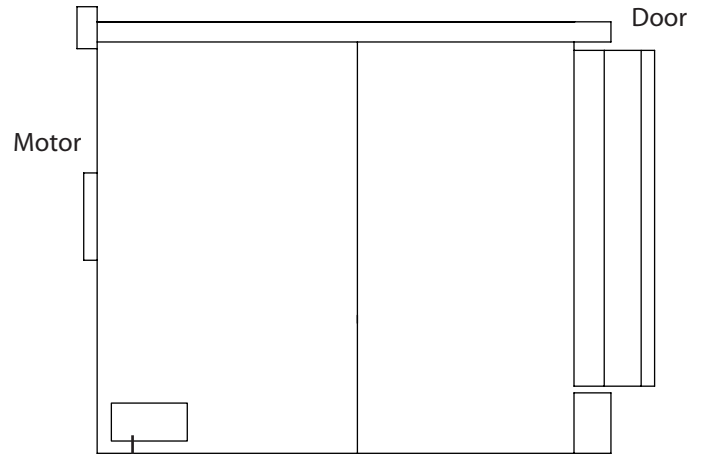
The Rating Plate (Product Identification Plate) contains important information on the unit's configuration.

Units Built **UPTO 31-MAR-2011**



Rating Plate
(On the Inside of Lower Front Cover)

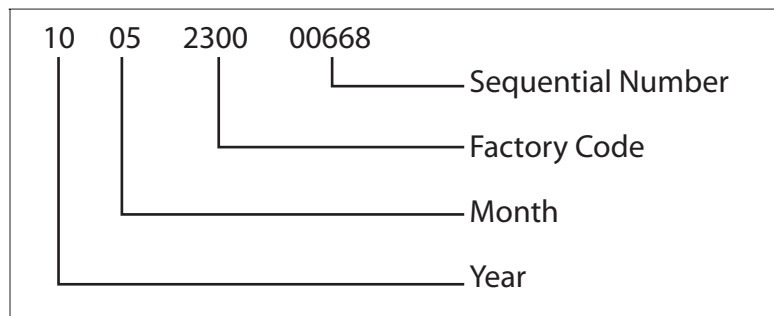
Units Built **FROM 01-APR-2011**

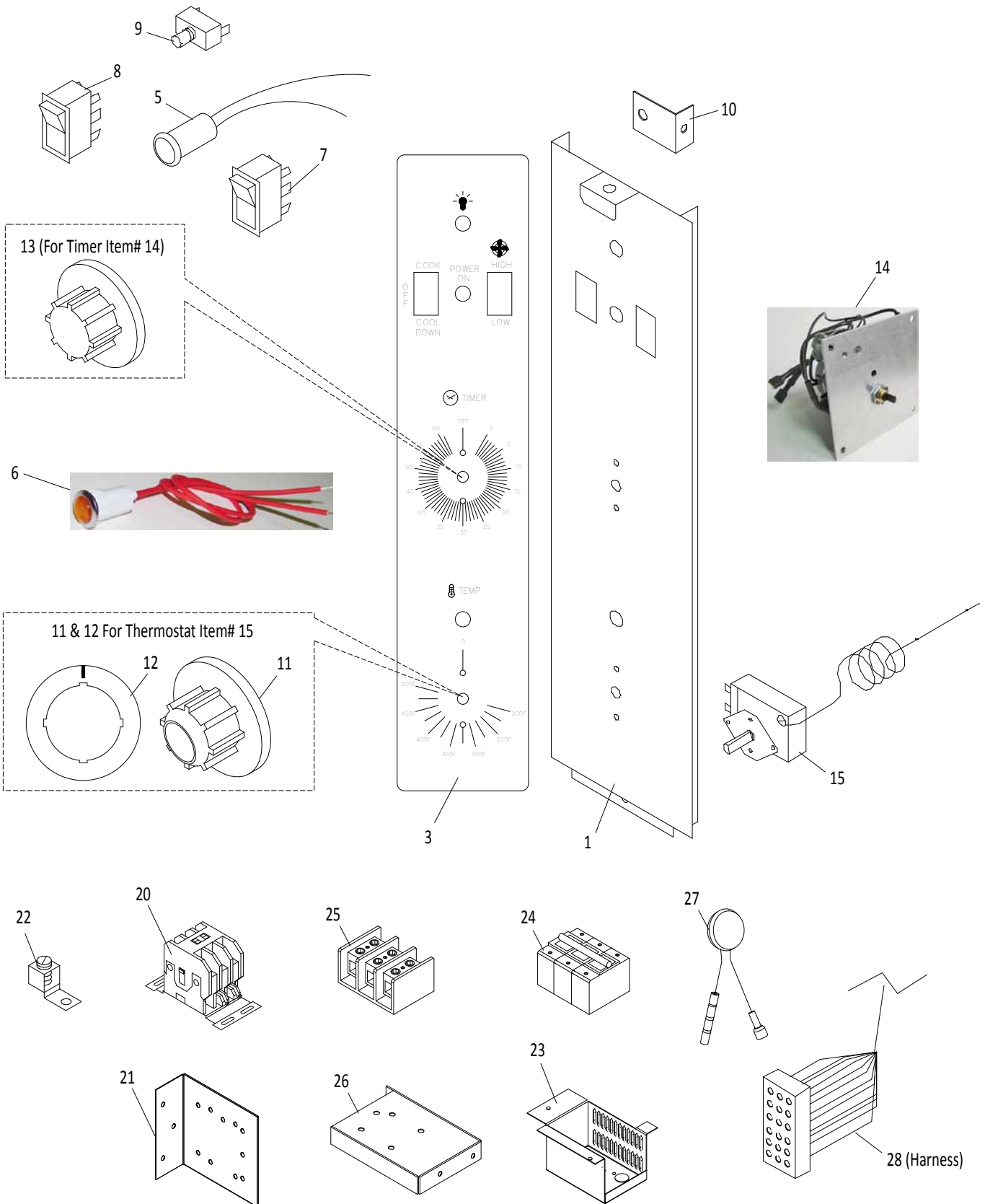


Rating Plate
(On the Outside of Left Body Side Panel)

Serial# (Year/Month Information)

The Serial Number is **13 Digits** long and is stamped on the Rating Plate.





SUNFIRE PARTS IDENTIFICATION
Electric Convection Ovens *models* ICO-E-10, ICO-E-20

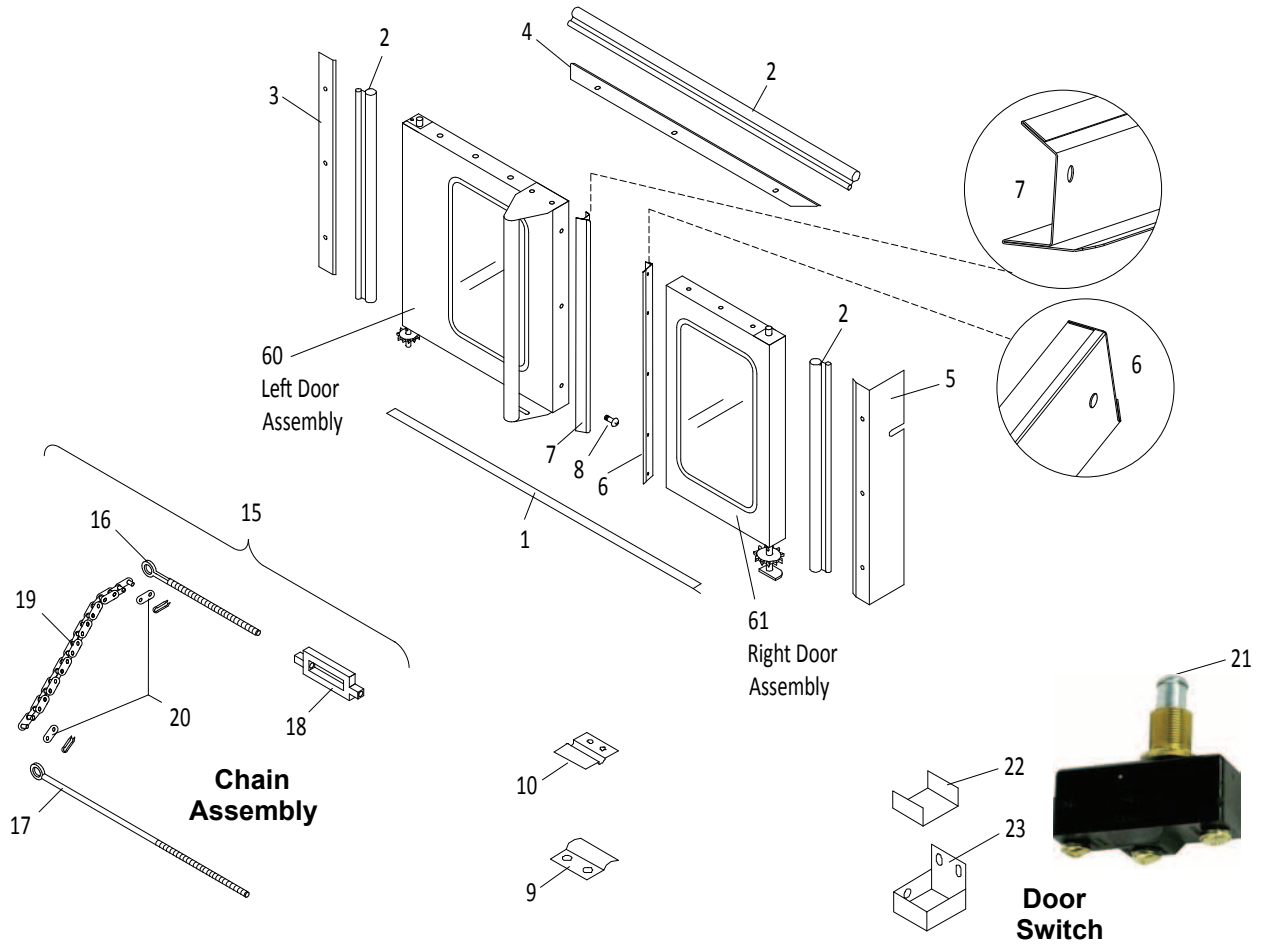
MANUAL CONTROL PANEL COMPONENTS

ITEM	PART #	DESCRIPTION	QTY	CRITICAL
1	1719805	Control Panel - S/S, Manual Note: Control Panel with P/N 1719801 is No Longer Available.	1	
3	1657913	Overlay - Manual Control, 2SP, Sunfire (Currently Used)	1	
5	1006493	Pilot Light - Green (240V)	1	
6	G01296-2	Amber Pilot Light (250V)	1	
7	1955402	Rocker Switch - ON/ON	1	C
8	1955401	Rocker Switch - ON/OFF/ON	1	C
9	1181000	Momentary Push Switch	1	C
10	1749201	Panel Restraining Bracket	1	
11	G02716-1	Dial - Small Shaft, Universal	1	C
12	1314121	Dial Insert (for item 11)	1	
13	1765802	Fluted Knob (includes 2 set screws)	1	
14	1956002	Timer with Alarm - 1hr, 240V	1	C
15	G02902-01	Thermostat	1	C
20	1637002	Contactora, 240V Coil	1	C
21	1267600	Mounting Bracket, Contactora	1	
22	1028402	Ground Lug	1	
23	1798701	Circuit Breaker Mount	1	
24	1026200	Circuit Breaker 3-Pole 50A	1	C
25	1193900	Terminal Block 3-Pole	1	C
26	1798601	Terminal Block Bracket	1	
27	CK9002099	Thermistor Assembly	1	C
28	4516722	Wire Harness Sunfire Electric	1	

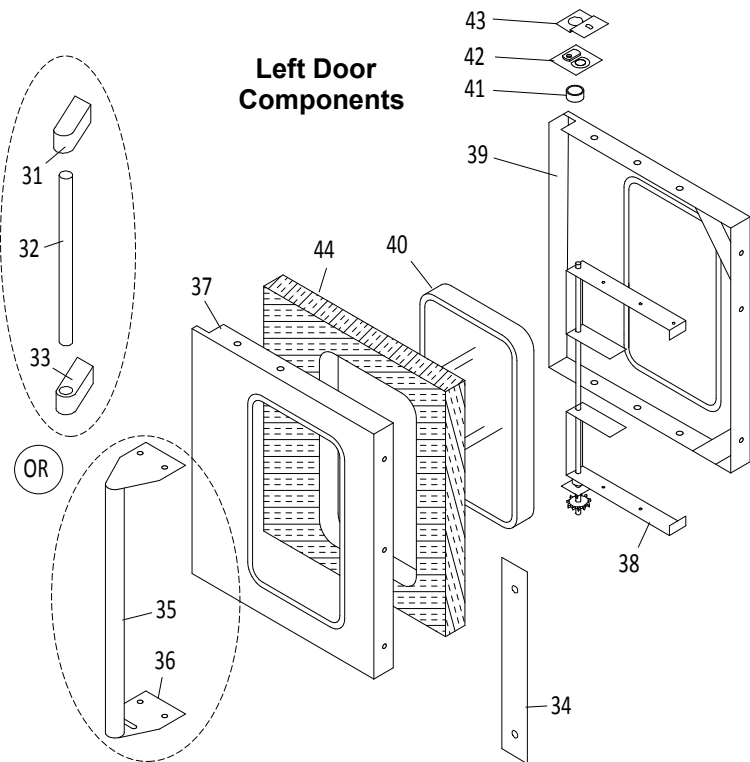
* NOT ILLUSTRATED

RECOMMENDED STOCK PARTS

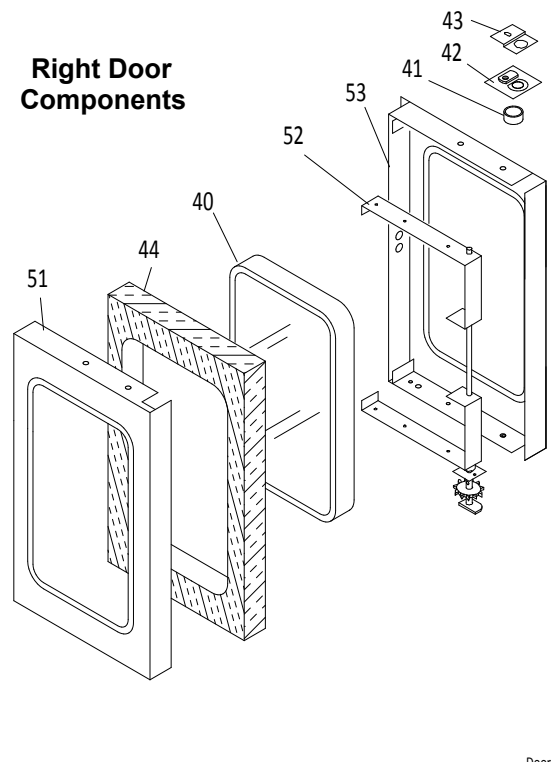
DOOR COMPONENTS & ASSEMBLIES



Left Door Components



Right Door Components



Door

SUNFIRE PARTS IDENTIFICATION
Electric Convection Ovens models ICO-E-10, ICO-E-20

DOOR COMPONENTS & ASSEMBLIES

ITEM	PART#	DESCRIPTION	QTY	CRITICAL
1	1534500	Seal - Door, Bottom	1	
2	G03269R	Seal - Door, Top / Left / Right (sold by the foot)	TOP - 3' L/R - 2' EACH	
3	1304201	Side Door Bracket - S/S, Left	1	
4	1304202	Top Door Bracket - S/S	1	
5	1719001	Right Door Seal	1	
6	4515192	Center Door Seal - Right Note: Used FROM 1-Jan-2003.	1	
7	4515191	Center Door Seal - Left Note: Used FROM 1-Jan-2003.	1	
8	8003123	#10-24 x 5/8" Machine Screw, Phillips, Stl (for Center Door Seals)	6	
9	1021904	Door Catch (Door) Note: Used UP TO 22-May-2003.	1	C
10	1021902	Door Catch (Frame) Note: Used UP TO 22-May-2003.	1	C
Door Chain Assembly & Components				
15	4520166	Door Chain Assembly Note: Includes Items 16 - 20.	2	C
16	1014201	Connecting Door Rod - Short Note: Item listed for reference only. Not Sold Separately.	2	C
17	1014200	Connecting Door Rod - Long Note: Item listed for reference only. Not Sold Separately.	2	C
18	1015000	Turnbuckle 1/4-20 with 4" Take Up	2	C
19	1021100	Roller Chain #40	2	
20	1021299	Connecting Link #40	4	
Door Micro Switch & Related Components				
21	1019600	Door Micro Switch	1	C
22	1533400	Door Micro Switch - Cover	1	
23	1533800	Door Micro Switch - Bracket	1	
Left and Right Doors Components				
31	1562602	(Old Style) Door Handle End - Top, Grey	1	
32	1562603	(Old Style) Door Handle End - Bottom, Grey	1	
33	1664800	(Old Style) Door Handle - Grey	1	
34	1663201	Handle Bracket Plate (for Old Style Handle)	1	
35	4518768	Door Handle Tube with Insert, Painted	1	
36	1924206	Plate for Door Handle	2	
37	1011605	Door Panel - Left Note: Used UP TO Mar-2003.	1	
	4515200	Door Panel - Left Note: Used From Mar-2003	1	

* NOT ILLUSTRATED

RECOMMENDED STOCK PARTS

SUNFIRE PARTS IDENTIFICATION
Electric Convection Ovens models ICO-E-10, ICO-E-20

DOOR COMPONENTS & ASSEMBLIES

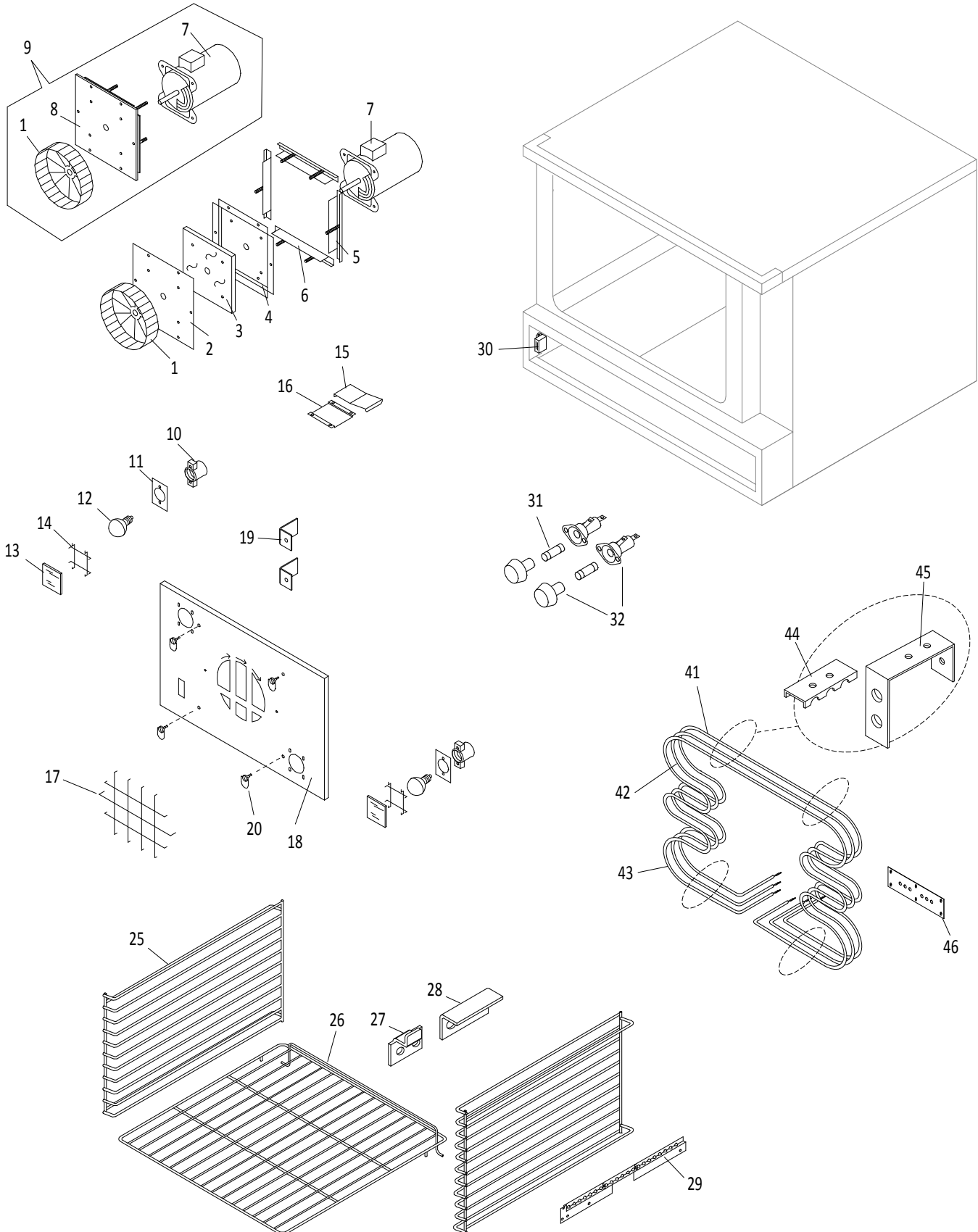
ITEM	PART#	DESCRIPTION	QTY	CRITICAL
38	1011895	Door Frame Assembly - Left Note: Used UP TO 26-Mar-2003	1	
	CK4515197	Door Frame Assembly - Left Note: Used From 27-Mar-2003	1	
39	1011799	Liner - Left Door Note: Used UP TO Mar-2003	1	
	4515203	Liner - Left Door Note: Used From Mar-2003	1	
40	1010999	Oven Door Window - 3/16" Glass	2	
41	1923201	Spacer - Door Hinge	2	
42	CK1010589	Hinge Bracket Assembly with Bearing	1	
43	1302800	Upper Door Bearing Retainer	2	
44	0010000FG	Fiberglass Insulation	2	
51	4515206	Door Panel - Right (Window)	1	
	1011402	Door Panel - Right (Solid)	1	
52	CK4515196	Door Frame Assembly - Right (Window)	1	
	1011897	Door Frame Assembly - Right (Solid) - No Longer Available	1	
53	4515209	Liner - Right Door (Window)	1	
	1011582	Liner - Right Door (Solid)	1	
Left Door - Complete Assemblies				
60	CK1029279	Left Door Assembly (Window) Note: Used UP TO 26-Mar-2003.	1	
	CK1029277	Left Door Assembly (Solid) Note: Used UP TO 26-Mar-2003.	1	
	CK4515199	Left Door Assembly (Window) Note: Used FROM 27-Mar-2003.	1	
Right Door - Complete Assemblies				
61	CK1029276	Right Door Assembly (Window) Note: Used UP TO 26-Mar-2003.	1	
	CK1029278	Right Door Assembly (Solid) Note: Used UP TO 26-Mar-2003.	1	
	CK4515198	Right Door Assembly (Window) Note: Used FROM 27-Mar-2003.	1	

* NOT ILLUSTRATED

RECOMMENDED STOCK PARTS

Blank Page

OVEN COMPONENTS



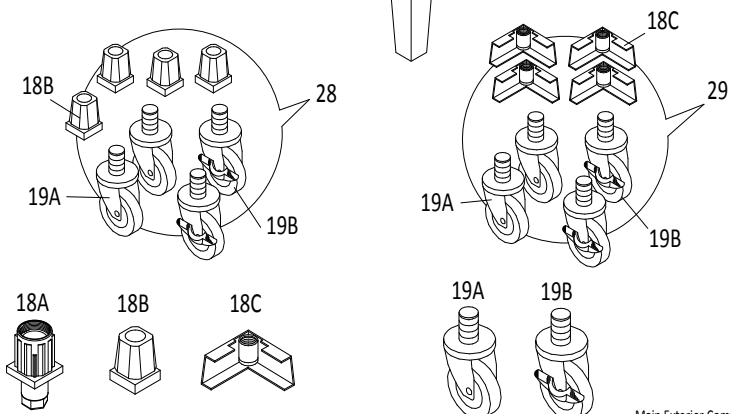
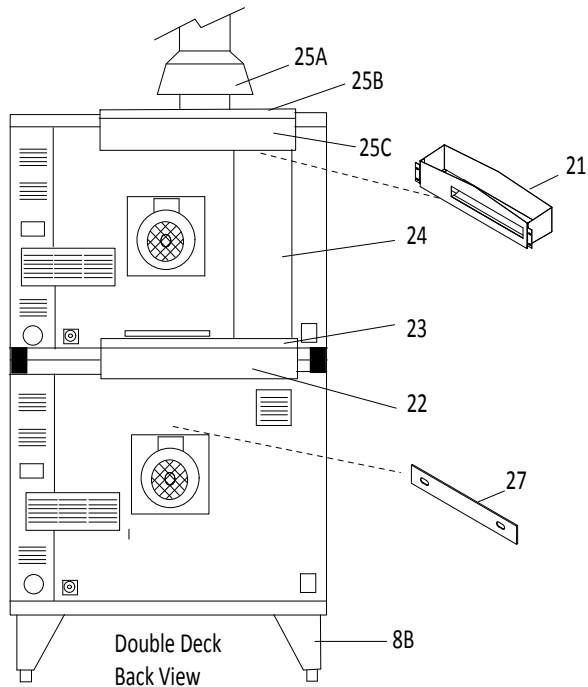
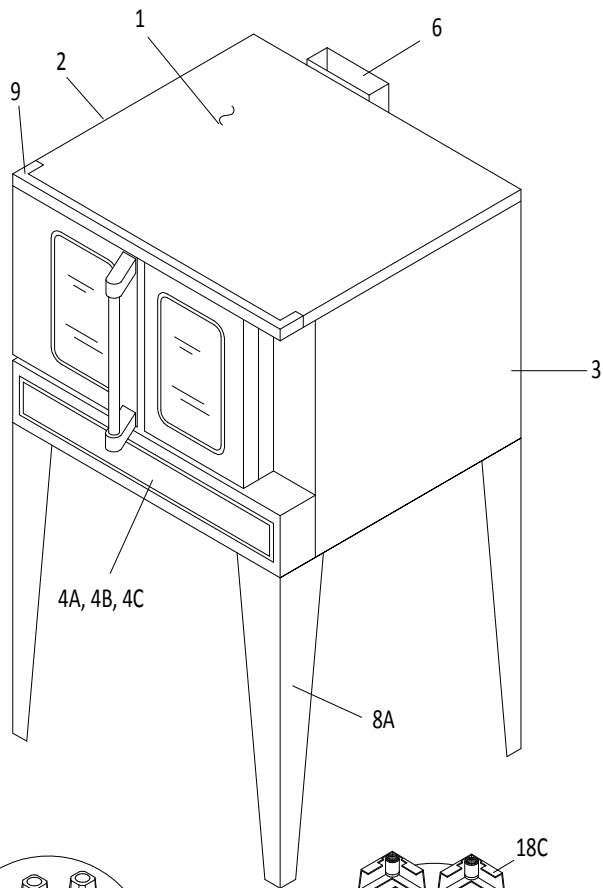
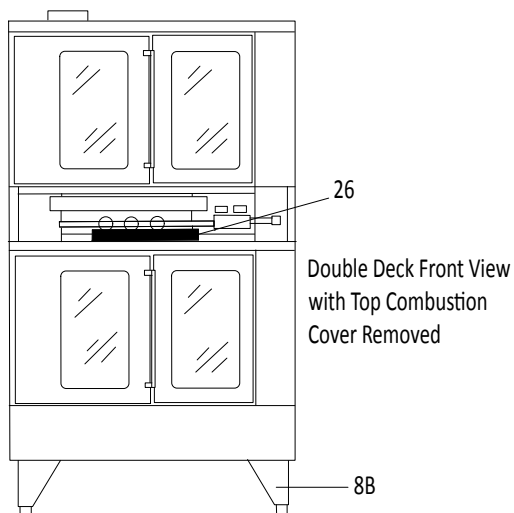
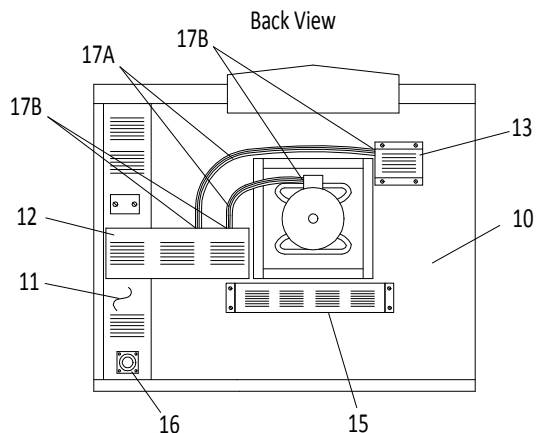
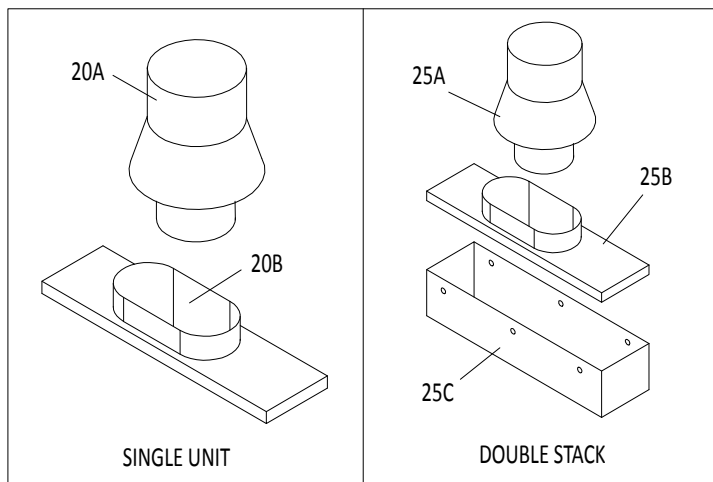
SUNFIRE PARTS IDENTIFICATION
Electric Convection Ovens *models ICO-E-10, ICO-E-20*

OVEN COMPONENTS

ITEM	PART#	DESCRIPTION	QTY	CRITICAL
1	G02952-01P	Blower Wheel Assembly - Nickle Plated	1	
2	1011902	Motor Mount Plate	1	
3	1915921	Insulation, Motor Pocket	1	
4	1012000	Motor Mount Pocket	1	
5	CK1012498	Motor Mount Brace Assembly - Side	2	
6	CK1012499	Motor Mount Brace Assembly - Top, Bottom	2	
7	1686712	Motor - 3/4 HP 240V 2 Speed	1	C
8	CK1012079	Motor Mount Assembly Service Kit	1	C
9	CK1003094	Motor Assembly Kit - 3/4 HP 240V 2 Speed Note: See Bulletin B-110-2001. Kit includes a motor 1686712 (item 7), a mounting kit (item 8), a blower wheel assembly (item 1), and fasteners.	1	C
10	1025800	Lamp Socket - Porcelain	2	
11	1025900	Light Socket Gasket	2	
12	1026051	Teflon Coated Light Bulb	2	
13	9004800	Light Cover - Glass	2	
14	1534400	Glass Retainer	2	
15	1300900	Vent Cover	1	
16	1300901	Vent Slide	1	
17	G02904-01P	Blower Inlet Cover	1	
18	1539999	Air Baffle Assembly, GCE	1	
19	1047303	Baffle Spacer Clip, Bottom	2	
20	8005000	1/4 Turn Pin	4	
	8005100	1/4 Turn Fastener Receptacle	4	
25	1315701	Rack Guide Assembly, Deep	2	
26	1012700	Oven Rack 28x28	5	
27	1317600	Rack Guide Bracket	4	
28	1317601	Rack Guide Holddown Bracket	2	
29	CK1015797	Capillary Tube Guard	1	
30	1020101	Magnetic Catch	2	
31	1130102	Fuse Holder	2	C
32	1130103	Fuse - SC-20, 300V, 20A	2	C
40	CK1032199	Assembly, Heater Element - 208V Note: Assembly includes elements (front, center, and rear), element clamps, support brackets and fasteners	1	C
	CK1032198	Assembly, Heater Element - 240V Note: Assembly includes elements (front, center, and rear), element clamps, support brackets and fasteners	1	C
41	1011097	Element, Rear - 208V	1	C
	1011094	Element, Rear - 240V	1	C
42	1011098	Element, Center - 208V	1	C
	1011095	Element, Center - 240V	1	C
43	1011099	Element, Front - 208V	1	C
	1011096	Element, Front - 240V	1	C
44	1547600	Element Clamp	4	
45	1547201	Element Support Bracket	4	
46	1025400	Rear Element Cover, S/S	1	

* NOT ILLUSTRATED

RECOMMENDED STOCK PARTS



SUNFIRE PARTS IDENTIFICATION
Electric Convection Ovens *models* ICO-E-10, ICO-E-20

MAIN EXTERIOR COMPONENTS

ITEM	PART#	DESCRIPTION	QTY	CRITICAL
1	1300600	Top, SS	1	
2	1300503	Left Boday Side Panel, SS	1	
3	1300509	Right Body Side Panel, SS (Deep)	1	
4A	CK1721001	Combustion Chamber Front Assembly	1	
4B	CK4515638	Combustion Chamber Cover	1	
4C	CK1721099	Combustion Chamber Assembly Note: Assembly includes items 4A and 4B.	1	
6	1774698	Collar Assembly S/S	1	
8A	CK1753298	Leg Assembly, S/S, 28"	4	
8B	1753398	Leg Assembly (Double Deck)	4	
9	1301100	Top Front Veneer	1	
	1302601	Side Top Veneer	2	
10	1014710	Main Back	1	
11	1015509	Rear Control Panel Section	1	
12	1014813	Junction Box Bottom, Deep	1	
13	1014809	Light Box Cover	1	
15	1048299	Element Box Assembly	1	
16	4523287	Knock Out Plate	1	
17A	1029430	3/8" x 30" BX Cable (Flex Conduit)	2	
17B	1028501	3/8 BX Connector, Straight	4	
18A	1236100	1-1/2" Square Foot Insert, Chrome Plated	4	
18B	1775102	Caster Insert (Single Deck)	4	
18C	1755998	Double Deck Caster Pad SS W/A	4	
19A	1027500	4" Swivel Caster without Brake, 3/4" NPT Stem	2	
19B	1027501	4" Swivel Caster with Brake, 3/4" NPT Stem	2	
19C*	1755999	Leg Base	4	
20A	1190100	6" Vertical Draft Diverter for Single Unit	1	
20B	1190203	Flue Cap - Single Unit	1	
21	1015299	Flue Box Assembly Front	1	
22	1015205	Rear Flue Box - Bottom Deck	1	
23	1015206	Flue Box Top - Bottom Deck	1	
24	1015287	Flue Riser Welded Assembly	1	
25A	1190101	8" Vertical Draft Diverter for Double Stacked Units	1	
25B	1586798	Flue Hood Top - Double Deck	1	
25C	1586799	Flue Hood Box Body - Double Deck	1	
26	1302500	Fire Plate/ Support Bracket	1	
27	1303200	Rear Securing Plate	2	
28	CK1129	Caster Kit - Single Deck Note: Kit includes items 19A (x2), 19B (x2), and 18B (x4).	1	
29	CK1200	Caster Kit - Double Deck Note: Kit includes items 19A (x2), 19B (x2), and 18D (x4)	1	

* NOT ILLUSTRATED

RECOMMENDED STOCK PARTS

SUNFIRE PARTS IDENTIFICATION
Electric Convection Ovens *models* ICO-E-10, ICO-E-20

LIST OF WIRING DIAGRAMS, CASTER AND VENTILATIO KITS

WIRING DIAGRAM	
PART#	DESCRIPTION
1267511	Wiring Diagram - Electric ICO 208V/240V 60Hz 2 Speed
CASTER KITS	
PART#	DESCRIPTION
CK1129	Single Deck Caster Kit
CK1200	Double Deck Caster Kit
LEG KITS	
PART#	DESCRIPTION
1755098	S/S Legs Kit - Single Deck
1755096	S/S Legs with Casters Kit - Single Deck
A4523431	S/S Legs Kit - Double Deck
A4523432	S/S Legs with Casters Kit - Double Deck
VENTILATION KITS	
PART#	DESCRIPTION
1951229	SS Canopy Diverter - Single and Double Deck
CK1131	Direct Connect Vent - Single Deck
CK1132	Direct Connect Vent - Double Deck

SUNFIRE PARTS IDENTIFICATION
Electric Convection Ovens *models* ICO-E-10, ICO-E-20

RELATED BULLETINS

BULLETIN #	SUBJECT	DATE
B-110-2001	Motor Assembly Kits - Full Size Convection Ovens	SEP 28/2001

Revision History (ICO-E)

REV	PAGE#	ITEM#	NOTES	DATE
0			New Parts List (Sunfire Electric Convection Oven)	APR 04/12
1			New Sunfire logo	APR 30/12
2			ICO model is No Longer Available. Added serial# and date on front and third pages.	MAY 22/12

SUNFIRE[®]

Manitowoc