



**CE Certified Master Full Size  
Gas Convection Oven**

*models* **MCO-GS/GD-10/20CE**

*from* **serial# 1107230000001 (01-JULY-11)**

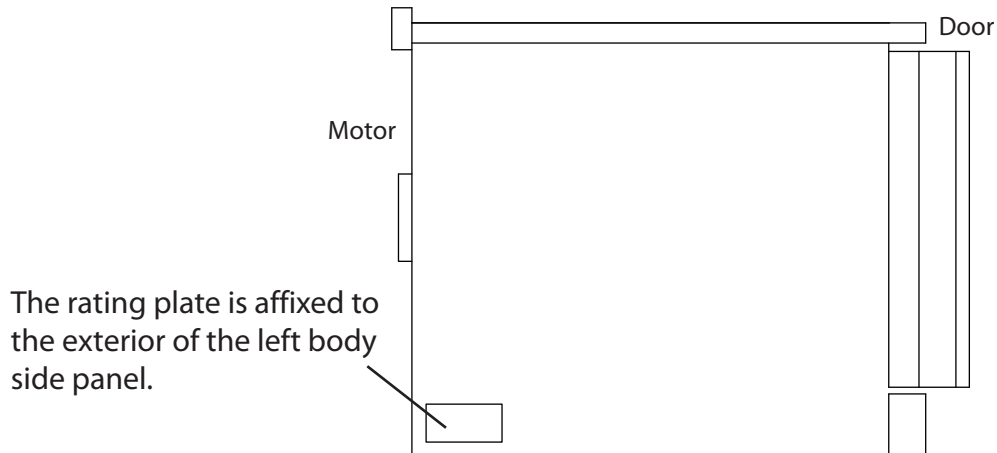
**PARTS LIST**

**P** (US & Canada): 1 800 427 6668

**F** (US & Canada): 1 800 361 7745

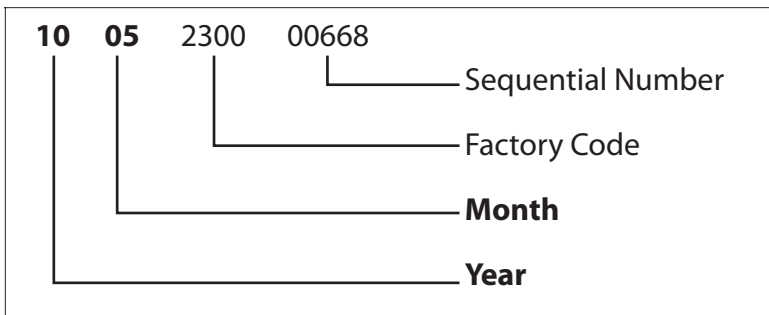
[www.Garland-Group.com](http://www.Garland-Group.com)

## Rating Plate Location



## Serial# - Year/Month Information

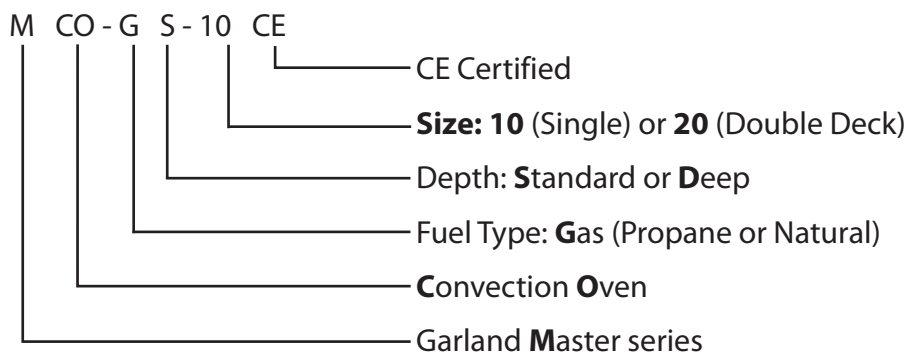
The Serial Number is **13 Digits** long and is stamped on the Rating Plate. See "Rating Plate Location".



## Model Code Interpretation

### MCO Full-Size Gas Models:

- MCO-GS-10CE, MCO-GS-20CE
- MCO-GD-10CE, MCO-GD-20CE





# CE Certified Master Full Size Gas Convection Oven

*models* **MCO-GS/GD-10/20CE**

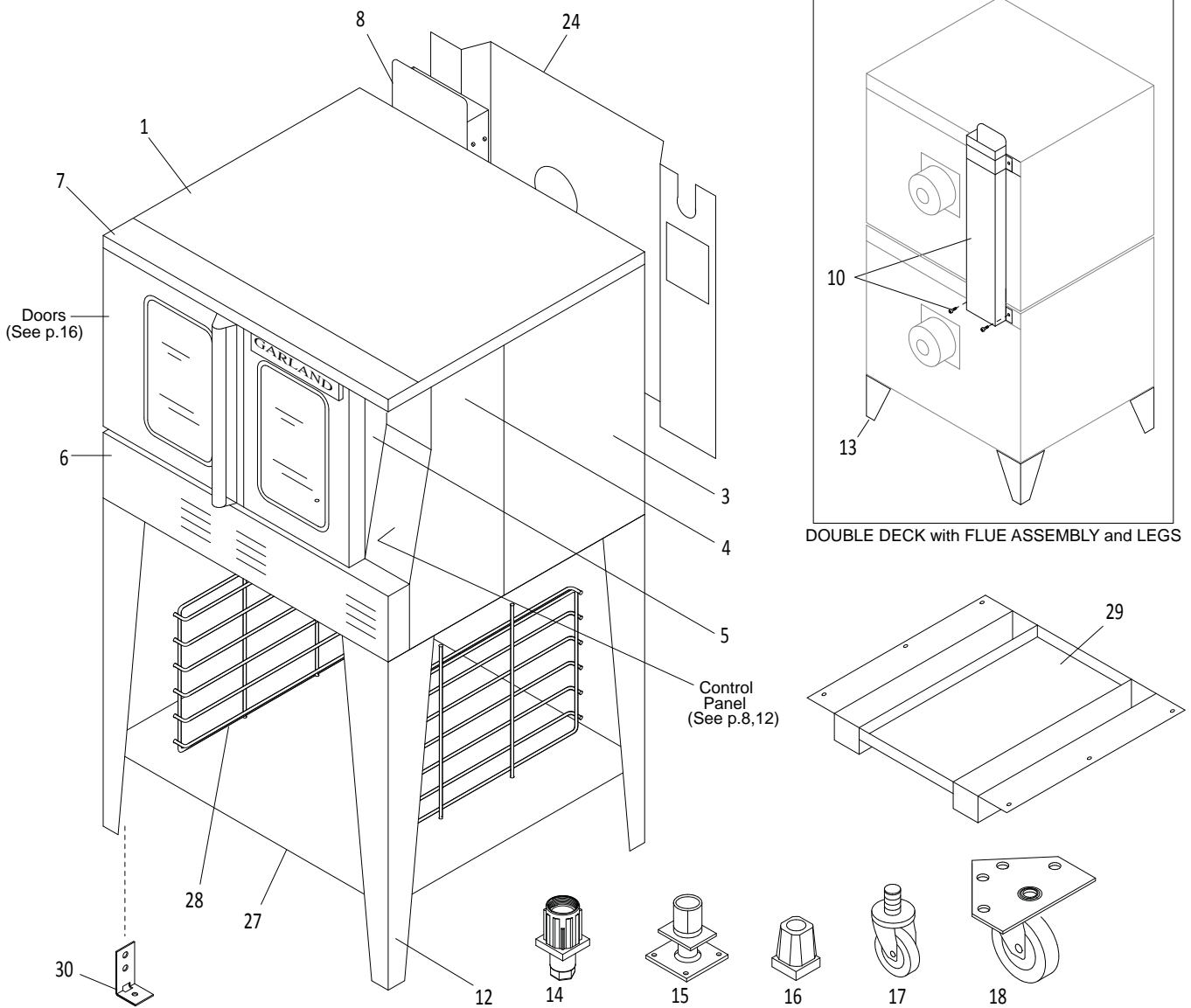
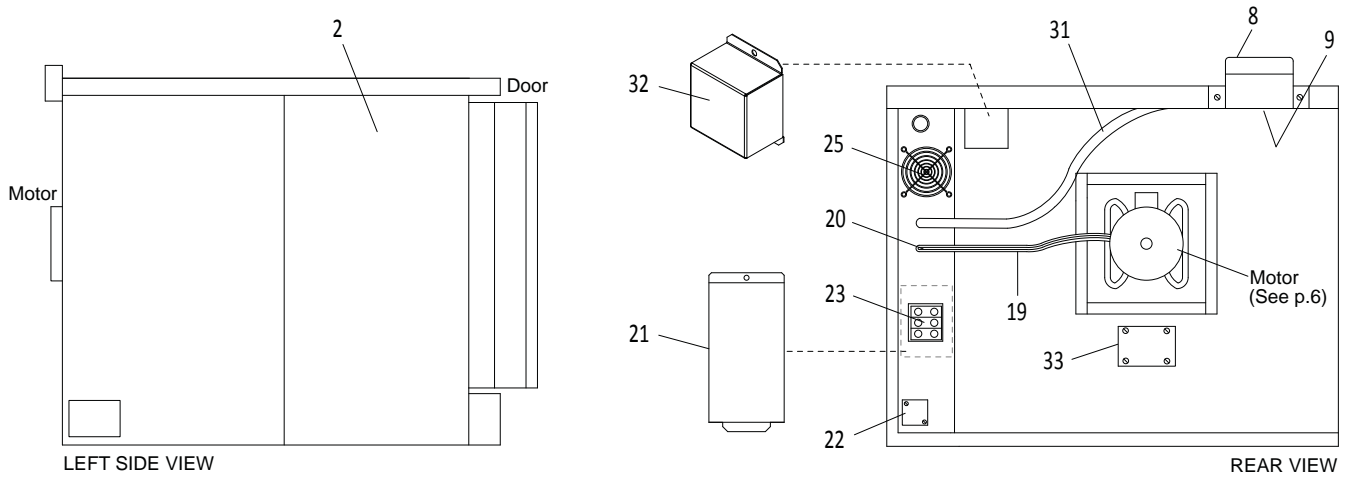
*from* **serial# 1107230000001 (01-JULY-11)**

## Table of Contents

Rating Plate Location / Model & Serial# Interpretation .....	2
Exterior Components .....	4
Oven Components .....	6
(Fastron) Master 450 Control Panel & Components (1 of 2).....	8
(Fastron) Master 450 Control Panel & Components (2 of 2).....	10
(Elreha) Master 450 Control Panel & Components .....	12
Burner Package .....	14
Door Components & Assemblies .....	16
Wire Harness Identification / Wiring Diagram Part# .....	20
List of Available Kits .....	22
Related Bulletins .....	22
Critical & Recommended Stock Parts List.....	23
Revision History.....	23

This parts list is updated regularly. Please find the most current revision  
on our website @ [www.Garland-Group.com](http://www.Garland-Group.com)

## EXTERIOR COMPONENTS



**GARLAND PARTS IDENTIFICATION**  
**MASTER FULL SIZE GAS CONVECTION OVEN**  
*models MCO-GS/GD-10/20CE*

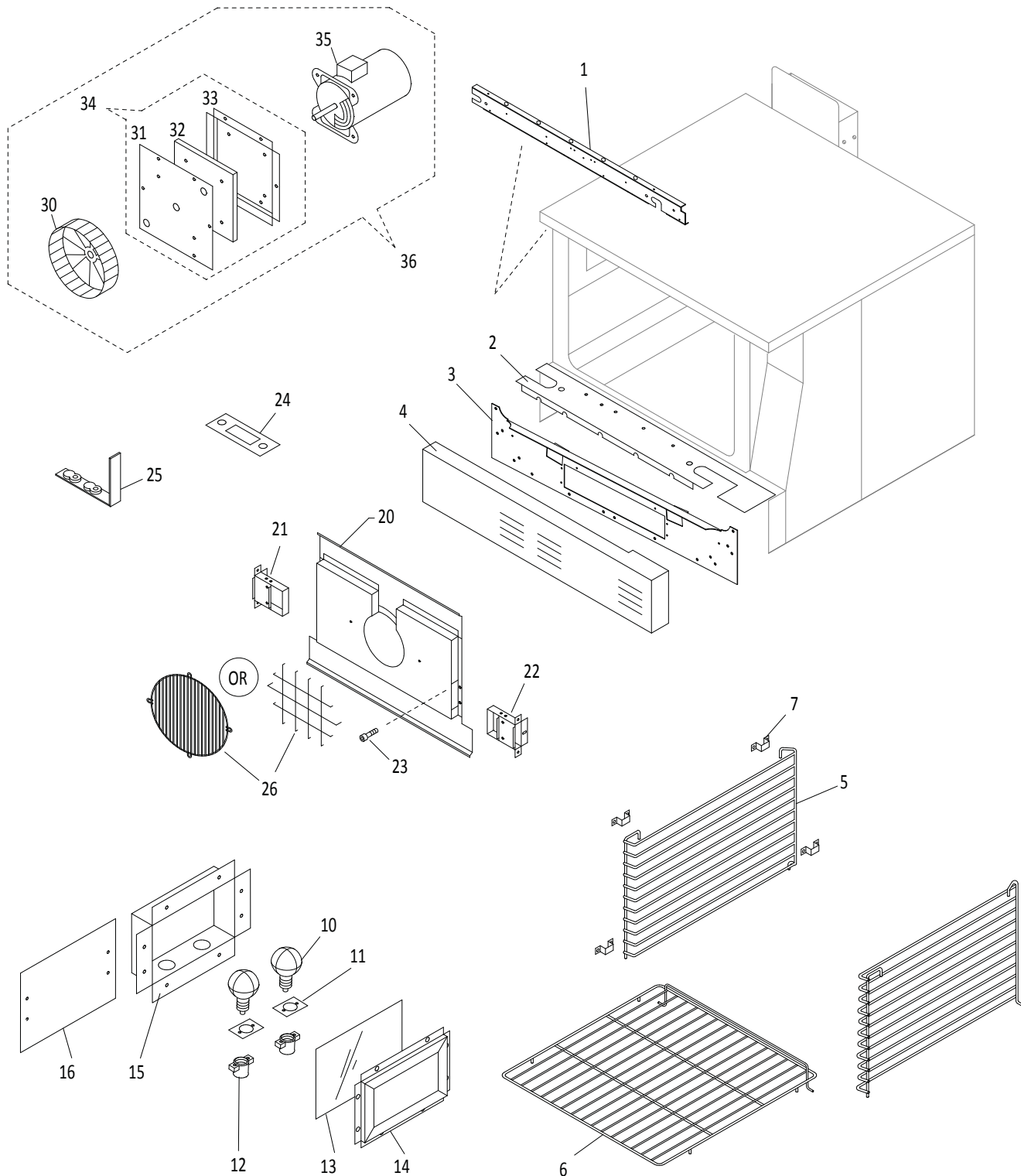
**EXTERIOR COMPONENTS**

ITEM	PART #	DESCRIPTION	QUANTITY	CRITICAL
1	1917602	Cover - Main Top, SS	1	
2	1920201	Cover - Body Side Left, SS	1	
3	1918701	Cover - Body Side Right, SS	1	
4	1918801	Cover - Control Panel Right, SS	1	
5	1925501	Cover - Control Panel Left, SS	1	
6	4519724	Cover - Lower Front Trim, SS	1	
6A*	8003107	Mscr-Th-Phl 10-24 x 3/4 (for Lower Front Trim Cover)	3	
7	1925301	Cover - Upper Front Trim, SS	1	
7A*	8002107	Mscr-Th-Phl-B #10 x 1/2 Stl 2P (for Upper Front Trim Cover)	3	
8	1919999	Vent Assembly - Outer Standard/Deep	1	
9	1919399	Vent Assembly - Standard	1	
	1919398	Vent Assembly - Deep	1	
10	CK1920099	Flue Assembly for Double Deck <b>Note:</b> Kit includes sheet metal flue channels (part# 1920001, 1920002) and fasteners (8002106).	1	
12	1927199	Leg - Single Deck, SS, for Casters, approx. 19-3/4"	4	
	1927197	Leg - Single Deck, SS, for Foot Inserts, 24"	4	
13	1927195	Leg - Double Deck, SS	4	
14	1236100	1-1/2" Square Foot Insert - Chrome Plated	4	
15	1949701	Flanged Foot Insert ( <b>Optional Feature</b> )	4	
16	1775102	Caster Insert (Single Deck Only)	4	
17	1926501	Caster - 4" Swivel without Brake, 3/4NPT	4	
	1926502	Caster - 4" Swivel with Brake, 3/4NPT	4	
18	1926531	Heavy Duty Caster - 5" Swivel without Brake, for Double Deck	4	
	1926532	Heavy Duty Caster - 5" Swivel with Brake, for Double Deck	4	
	4524736	Kit - Casters 3" Swivel without Brake (low profile) <b>Note:</b> Kit Includes Two Casters	1	
	4524737	Kit - Casters 3" Swivel with Brake (low profile) <b>Note:</b> Kit Includes Two Casters	1	
19	1029426	3/8 BX Cable 26" Long	1	
20	1028501	BX Connector - Straight	1	
21	1927898	Cover - External Terminal Block	1	
22	1928206	Plate - Line Cord Patch	1	
23	4516982	Terminal Block - 10mm	1	
24	1921001	Cover - Main Back, Standard Depth, SS	1	
	1921003	Cover - Main Back, Deep SS	1	
25	1919001	Cooling Fan Guard - 120mm	1	
27	1926902	Panel - Open Base, SS	1	
28	1926702	Rack Guide - Lower, Open Base	2	
29	1926802	Support - Rack Guide, Upper	1	
30	1927001	Clip - Lower Rack Guide Support	4	
31	250SILTUB	1/4" Silicone Tubing (sold by foot)	1	
32	1916301	Probe Connector Cover	1	
33	1928204	Plate - Element Patch	1	

\* NOT ILLUSTRATED

**RECOMMENDED STOCK PARTS**

OVEN COMPONENTS



Oven Components

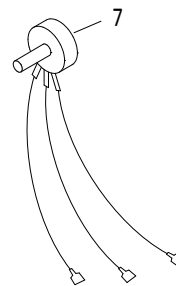
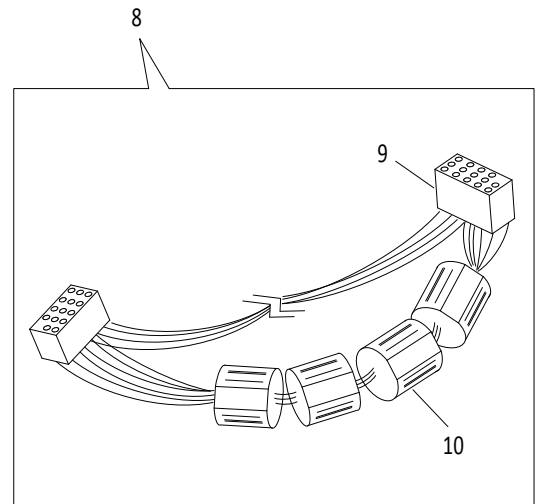
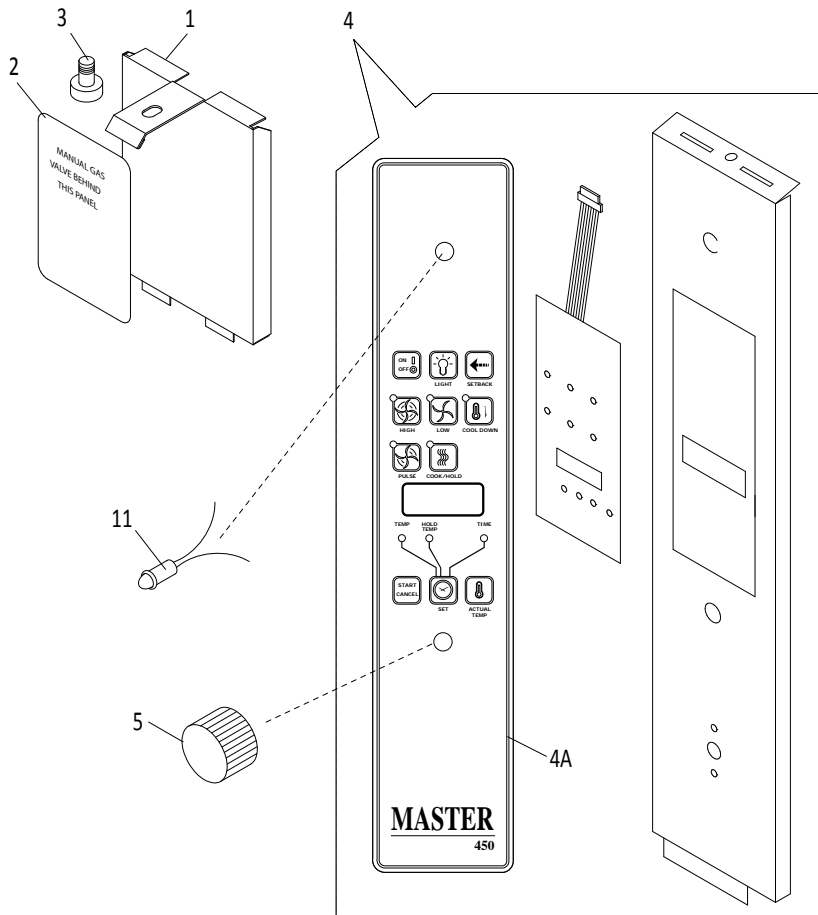
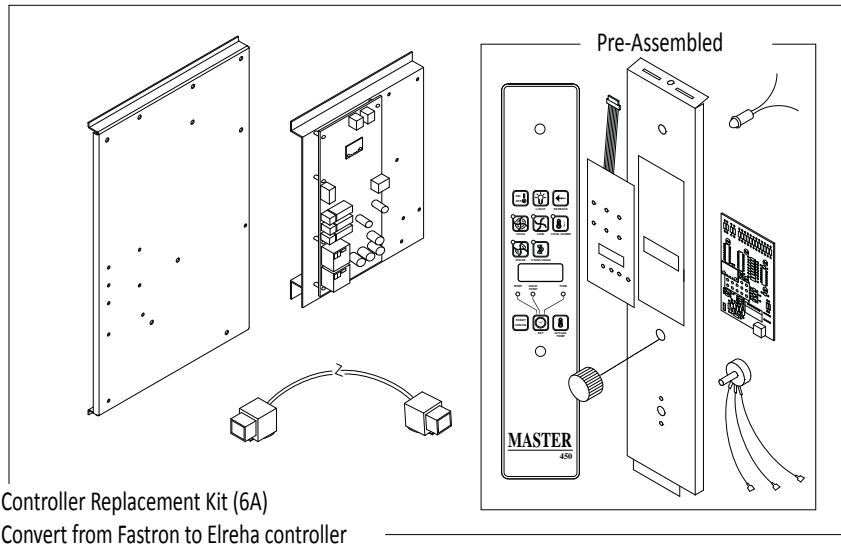
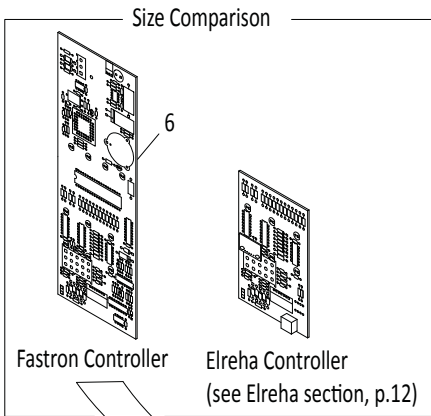
**GARLAND PARTS IDENTIFICATION**  
**MASTER FULL SIZE GAS CONVECTION OVEN**  
*models MCO-GS/GD-10/20CE*

**OVEN COMPONENTS**

ITEM	PART #	DESCRIPTION	QUANTITY	CRITICAL
1	1925201	Channel - Upper Hinge	1	
2	1925202	Channel - Lower Hinge	1	
3	1915401	Cover, Burner Box Front	1	
4	4519724	Cover Lower Front Trim	1	
5	1922001	Oven Rack Guide - 10 Pos, Standard	2	
	1922002	Oven Rack Guide - 10 Pos, Deep	2	
	1922101	Oven Rack Guide - 13 Pos, Standard	2	
	1922102	Oven Rack Guide - 13 Pos, Deep	2	
6	1922211	Oven Rack - Standard Depth	6	
	1922212	Oven Rack - Deep	6	
7	1765212	Oven Rack Clip	8	
10	<b>1623900</b>	<b>Light Bulb 40W</b>	2	
11	1025900	Light Socket Gasket	2	
12	1025800	Lamp Socket - Porcelain	2	
13	1676901	Glass, High Temp	1	
14	1921801	Cover, Light Box	1	
15	1921902	Light Box	1	
16	1928299	Plate, Light Box Patch - Porcelain (for no oven lights option)	1	
	1928201	Plate, Light Box Patch - SS (for no oven lights option)	1	
20	1802999	Fan Cover	1	
21	1782599	Fan Cover Duct, Left	1	
22	1782598	Fan Cover Duct, Right	1	
23	8004005	1/4-20 x 3/8" Allen Head Screw	4	
24	1784302	Oven Vent Cap - 60K BTU	1	
25	1785998	Fan Duct Restrictor - 60K BTU	2	
26	1839301	Blower Inlet Cover (Convection Fan Guard) with Hand Guard	1	
	1014500	Blower Inlet Cover (Convection Fan Guard)	1	
30	G02952-01P	Blower Wheel Assembly Plated	1	
31	1916401	Plate, Motor Pocket Front	1	
32	1915921	Insulation - Motor Pocket	1	
33	1916402	Motor Pocket Back	1	
34	1916499	Motor Pocket Assembly	1	
35	1686712	Motor - 3/4 HP, 208/240V, 2 Speed	1	C
36	<b>CK1003091</b>	<b>Motor Assembly - 2 Speed, 208/240 V</b>	1	C
38*	113361	Insulation Kit - Standard Depth	1	
	113364	Insulation Kit - Deep Depth	1	
39*	1959401	Drip Pan - S/S, Standard Depth	1	
	1959402	Drip Pan - S/S, Deep Depth	1	

\* NOT ILLUSTRATED

**RECOMMENDED STOCK PARTS**





**GARLAND PARTS IDENTIFICATION**  
**MASTER FULL SIZE GAS CONVECTION OVEN**  
*models MCO-GS/GD-10/20CE*

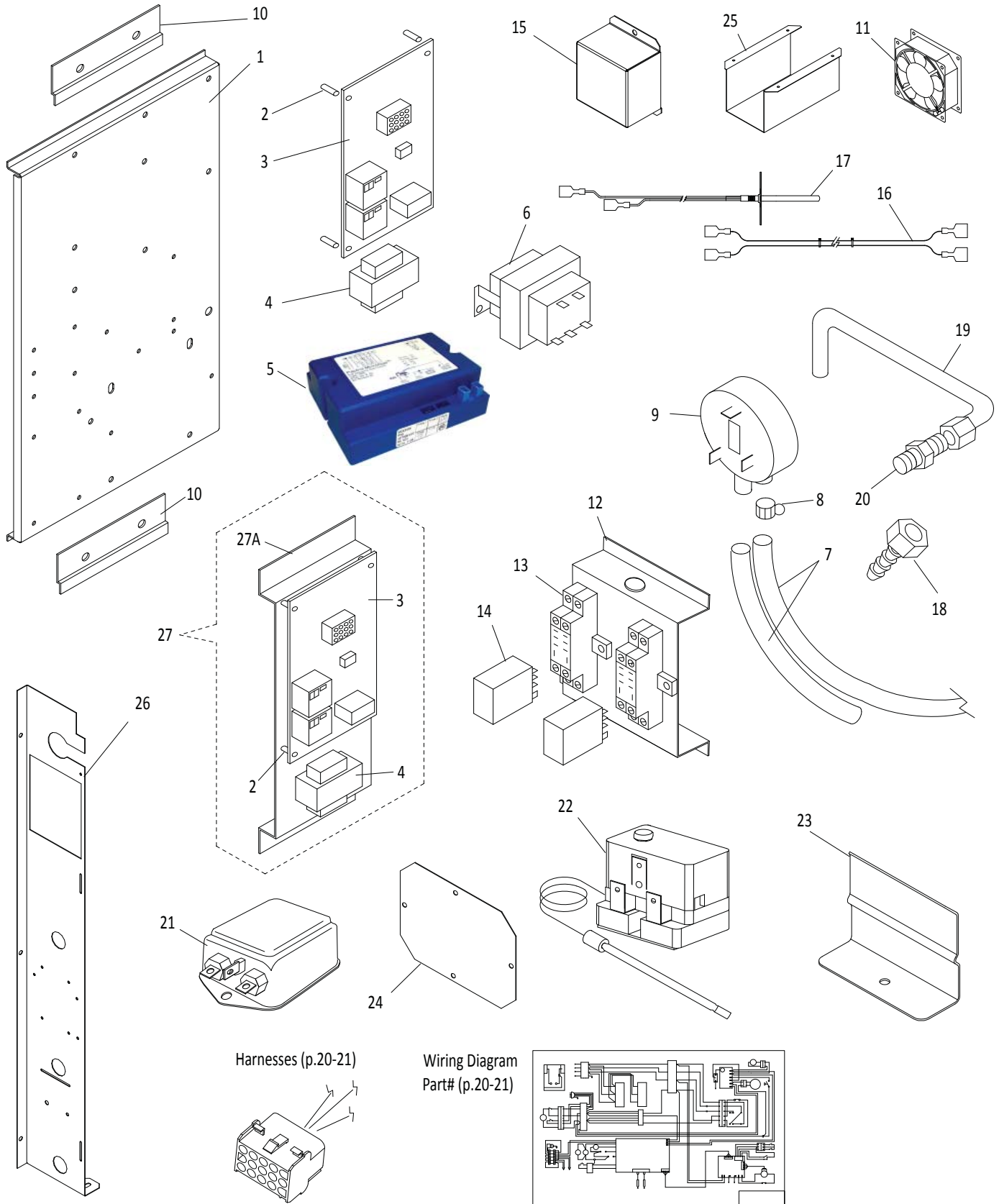
**(FASTRON) MASTER 450 DIGITAL CONTROL PANEL & COMPONENTS (1 OF 2)**

ITEM	PART #	DESCRIPTION	QUANTITY	CRITICAL
1	1918501	Cover - Upper Control Panel, SS	1	
2	1789605	Overlay - Top Control Panel, Gas	1	
3	GF297	Slotted Thumb Screw - 10-24 x 1/2"	1	
4	1952898	Control Panel Assembly - <b>Master 450</b> Keypad, with Light <b>Note:</b> Assembly Includes a S/S Panel, a Key-Pad Control and Overlay (1908503). S/S Panel and Key Pad Not Sold Separately.	1	
4A	1908503	Overlay - <b>Master 450</b> with Light	1	
5	<b>1720502</b>	<b>Fluted Fast Control Knob</b>	1	
6	1905703	450 Digital Control - Cook-N -Hold (Fastron) <b>Note:</b> Use Kit 4531125 (item 6A)	<b>NLA</b>	
6A	4531125	Kit, MCO 450 CE Controller Replacement (Gas/Electric), Elreha <b>Note:</b> Kit includes a panel assembly with Elreha control, a relay board assembly, a cable (control to relay), a bracket and instructions (4531128).	1	C
7	<b>1911601</b>	<b>Potentiometer - Encoder</b>	1	C
8	300812	Wire Harness (CE) - Control to Relay/PCB Board with Ferrites <b>Note:</b> Harness assembly includes items 9, 10.	1	
9	1905901	Wire Harness (CE) - Control to Relay	1	
10	300811	Snap-On Ferrite Cores	4	
11	<b>1270000</b>	<b>Indicator Lamp - Amber, 28V</b>	1	
12*	1955703	1/4" ID x 9/16" Nylon Standoff	6	
13*	8003123	10-24 x 5/8" Machine Screw-TH-Phil Stl Zinc	1	
14*	8001502	Nut with Lockwasher 6-32 kep Zinc	6	

\* NOT ILLUSTRATED

**RECOMMENDED STOCK PARTS**

**NLA = No Longer Available**



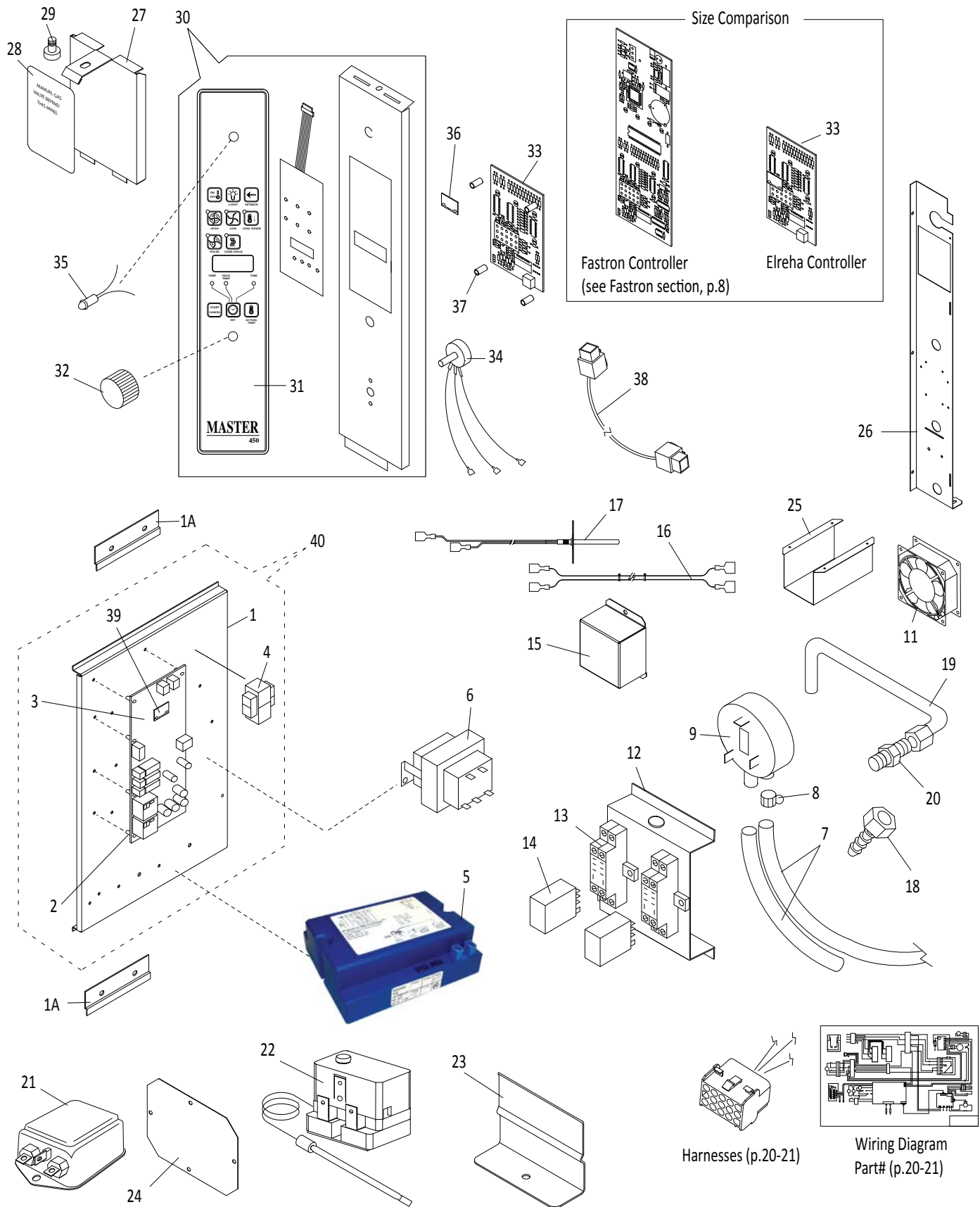
**GARLAND PARTS IDENTIFICATION**  
**MASTER FULL SIZE GAS CONVECTION OVEN**  
*models MCO-GS/GD-10/20CE*

**(FASTRON) MASTER 450 DIGITAL CONTROL PANEL & COMPONENTS (2 OF 2)**

ITEM	PART #	DESCRIPTION	QUANTITY	CRITICAL
1	1933406	Bracket - Ignition Control	1	
2	1767901	Nylon Spacer	4	
3	<b>1916903</b>	<b>Power Control Board Assembly - CE</b>	1	C
4	<b>1917103</b>	<b>Transformer 230V CE</b>	1	C
5	<b>4524665</b>	<b>Ignition Control - MCO CE</b>	1	C
6	<b>1636000</b>	<b>Transformer - 24V (gas control module transformer)</b>	1	C
7	250SILTUB	1/4" Silicone Tubing (sold by foot)	9FT	
8	1029801	Cable Tie - 4"	2	
9	<b>1960401</b>	<b>Switch - Air Pressure</b>	1	C
10	1911301	Relay Bracket Slide	2	
11	<b>1671101</b>	<b>Cooling Fan 208 / 240 V</b> <b>Note:</b> For Fan Installation, refer to Service Bulletin B-97-2009-S.	1	C
12	1925003	Bracket - CE Components	1	
13	2475600	Relay Socket	2	
14	<b>2475501</b>	<b>Relay 240V</b>	2	C
15	1916301	Cover - Probe Connector	1	
16	1906003	Probe Interconnect Harness ( <b>USE ONLY WITH 1906002</b> )	1	C
17	1906002	Flange Mount Oven Probe ( <b>USE ONLY WITH 1906003</b> )	1	C
18	1949401	Fitting - Hose Barb 1/4 npt x 1/4	1	
19	1848501	Air Switch Supply Tube	1	
20	G01243-1	Straight Connector 7/16" cc with external 1/4 npt	1	
21	300810	Line Filter - CE, 20A 250V	1	C
22	C5001041	High Limit Safety Switch (Safety Temperature Limiter) - CE	1	C
23	113418	Bracket - High Limit Safety Switch Mounting	1	
24	113363	Patch (High Limit Access)	1	
25	1918001	Air Exhaust Duct - Standard	1	
	1918002	Air Exhaust Duct - Deep Depth	1	
26	1926001	Panel - Right Side, Mid	1	
27	<b>S113852</b>	<b>Relay Board Assembly, Fast, CE</b> <b>Note:</b> Assembly includes the items shown, relay board jumper (1949565), jumper assembly (1949566), and machine screws (8002106).	1	C
27A	1916801	Bracket - Relay Board Assembly, Fast, CE	1	

\* NOT ILLUSTRATED

**RECOMMENDED STOCK PARTS**



**GARLAND PARTS IDENTIFICATION**  
**MASTER FULL SIZE GAS CONVECTION OVEN**  
*models MCO-GS/GD-10/20CE*

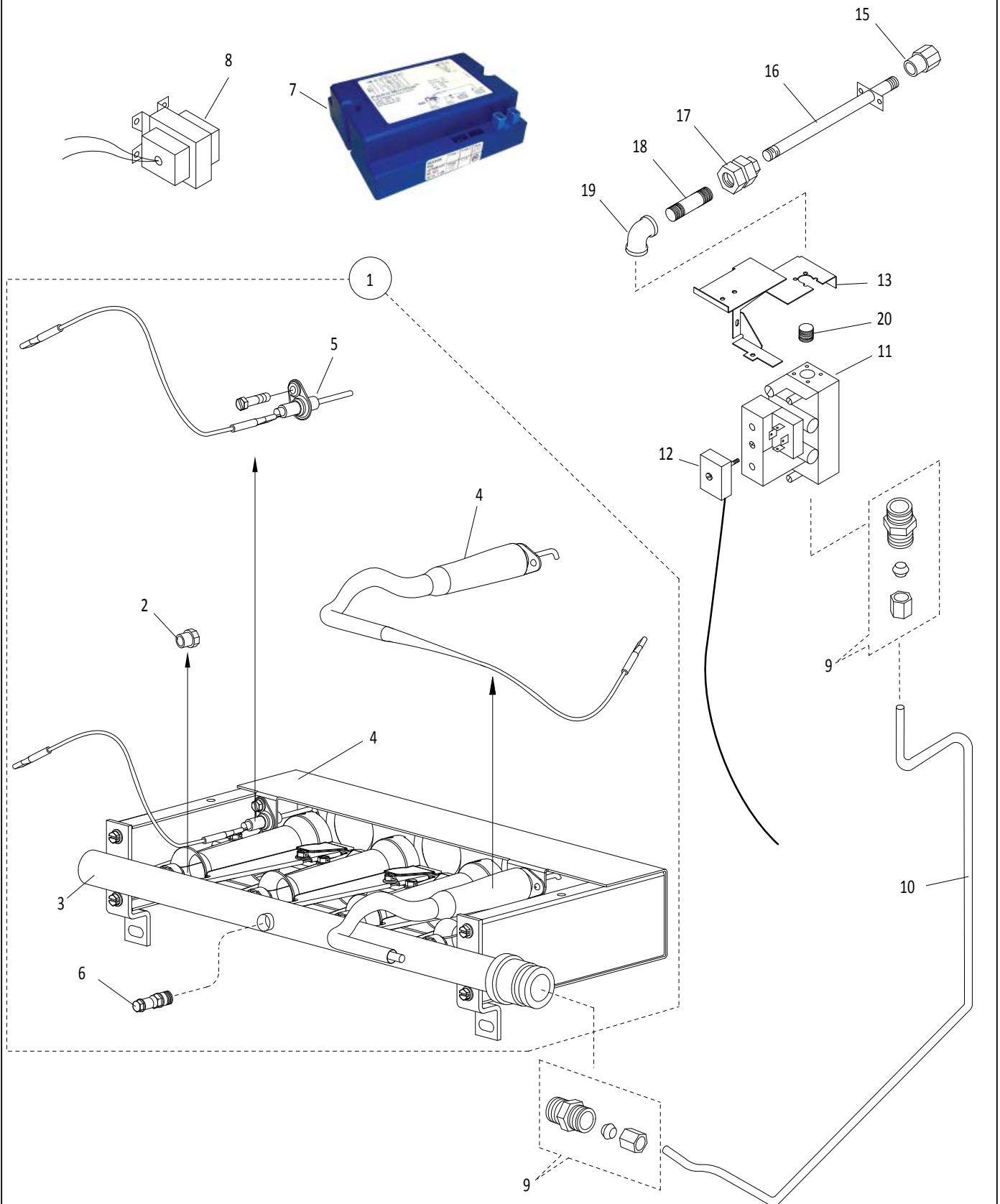
**(ELREHA) MASTER 450 DIGITAL CONTROL PANEL & COMPONENTS**

ITEM	PART #	DESCRIPTION	QUANTITY	CRITICAL
1	4528498	Bracket - Ignition Control/SRB, Elreha	1	
1A	1911301	Relay Bracket Slide	2	
2	1767901	Nylon Spacers	8	
3	4527484	Relay Board / SRB - Digital Control, Elreha	1	C
4	<b>1917103</b>	<b>Transformer 230V CE (Relay Board Transformer)</b>	1	C
5	<b>4524665</b>	<b>Ignition Control - MCO CE</b>	1	C
6	<b>1636000</b>	<b>Transformer - 24V (gas control module transformer)</b>	1	C
7	250SILTUB	1/4" Silicone Tubing (sold by foot)	9FT	
8	1029801	Cable Tie - 4"	2	
9	<b>1960401</b>	<b>Switch - Air Pressure</b>	1	C
11	<b>1671101</b>	<b>Cooling Fan 208 / 240 V</b> <b>Note:</b> For Fan Installation, refer to Service Bulletin B-97-2009-S.	1	C
12	1925003	Bracket - CE Components	1	
13	2475600	Relay Socket	2	
14	<b>2475501</b>	<b>Relay 240V</b>	2	C
15	1916301	Cover - Probe Connector	1	
16	1906003	Probe Interconnect Harness ( <b>USE ONLY WITH 1906002</b> )	1	C
17	1906002	Flange Mount Oven Probe ( <b>USE ONLY WITH 1906003</b> )	1	C
18	1949401	Fitting - Hose Barb 1/4 npt x 1/4	1	
19	1848501	Air Switch Supply Tube	1	
20	G01243-1	Straight Connector 7/16" cc with external 1/4 npt	1	
21	300810	Line Filter - CE, 20A 250V	1	
22	C5001041	High Limit Safety Switch (Safety Temperature Limiter) - CE	1	C
23	113418	Bracket - High Limit Safety Switch Mounting	1	
24	113363	Patch (High Limit Access)	1	
25	1918001	Air Exhaust Duct - Standard	1	
	1918002	Air Exhaust Duct - Deep Depth	1	
26	1926001	Panel - Right Side, Mid	1	
27	1918501	Cover - Upper Control Panel, SS	1	
28	1789605	Overlay - Top Control Panel, Gas	1	
29	GF297	Slotted Thumb Screw - 10-24 x 1/2"	1	
30	4530502	<b>Master 450 Keypad Panel Kit (Elreha)</b> <b>Note:</b> Assembly includes a S/S Control Panel, a Master 450 Overlay (4529263), and a Key Pad Control(Membrane Switch). S/S Panel and Key Pad Not Sold Separately.	1	
31	4529263	Overlay - <b>Master 450</b> with Light, Elreha	1	
32	<b>1720502</b>	<b>Fluted Fast Control Knob</b>	1	
33	4527483	User Interface Board / UI Board (Elreha)	1	
34	<b>1911601</b>	<b>Potentiometer - Encoder</b>	1	C
35	1270000	Indicator Lamp - Amber, 28V	1	
36	4529740	Personality Module on UI, Elreha	1	
37	1955703	Standoff Nylon, 1/4" dia, 9/16" long.	4	
38	4529003	Cable - UI/SRB 0.5M Elreha	1	
39	4529761	Personality Module on Relay Board/SRB, Elreha	1	
40	<b>CK113999</b>	<b>Relay Board Assembly, Elreha, CE, Gas</b> <b>Note:</b> Assembly includes items 1, 2, 3, 4, 39 and machine screws (8002106).	1	C

\* NOT ILLUSTRATED

**RECOMMENDED STOCK PARTS**

## BURNER PACKAGE



CEBurner Package

**GARLAND PARTS IDENTIFICATION**  
**MASTER FULL SIZE GAS CONVECTION OVEN**  
*models MCO-GS/GD-10/20CE*

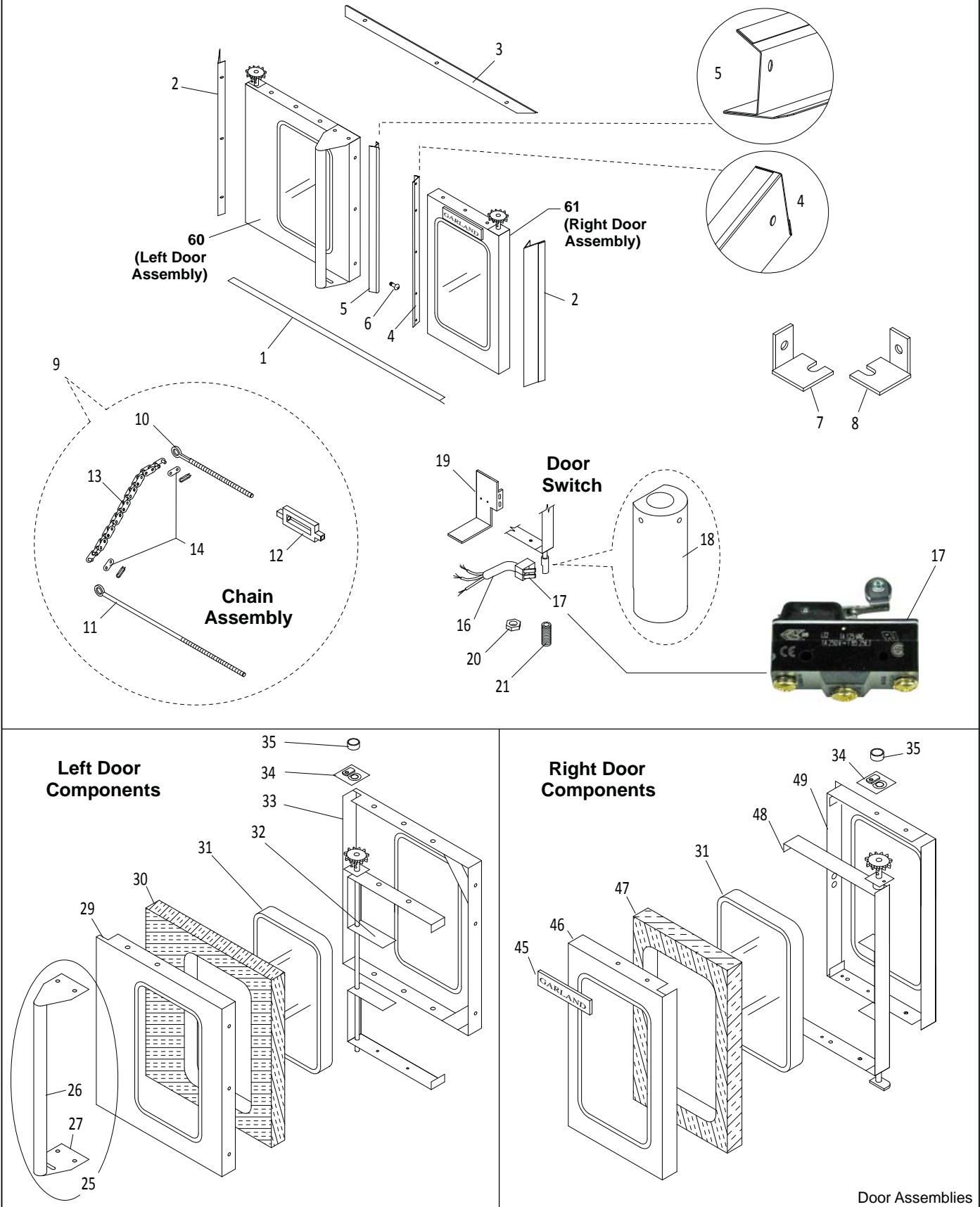
**BURNER PACKAGE**

ITEM	PART #	DESCRIPTION	QUANTITY	CRITICAL
1	4521462	Burner Pack - DSI MCO 60K Natural	1	
	4525010	Burner Pack, DSI MCO 60K Natural Gas Converted CE	1	
	4521464	Burner Pack, DSI MCO 60K Propane Converted	1	
2	4521466-05	Orifice, DSI MCO 60K Natural #51 <b>Note:</b> Use with Burner Pack 4525010.	4	
	4521466-01	Orifice, DSI MCO 60K Propane #56 <b>Note:</b> Use with Burner Pack 4521464.	4	
3	1916101	Manifold Pipe	1	
4	<b>4523414</b>	<b>Ignitor - DSI Burner Pack</b>	1	C
5	<b>4523415</b>	<b>Flame Sensor - DSI Burner Pack</b>	1	C
6	02251-1	Pressure Test Spigot	1	
7	<b>4524665</b>	<b>Ignition Control - MCO CE</b>	1	C
8	<b>1636000</b>	<b>Transformer - 24V (gas control module transformer)</b>	1	C
9	1095499	Straight Connector Assembly - 3/8 x 7/16 CC (Includes Nut & Ferrule)	2	
10	1949204	Tubing - Valve to Manifold - CE	1	
11	<b>2579700</b>	<b>Multi-Function Valve Gas</b>	1	C
12	<b>2579701</b>	<b>Plug with Cord</b>	1	
	2579702	Gasket and Screw	1	
13	1918999	Bracket, Gas Valve Mount	1	
15	113598	Fitting (Brass Adaptor) - NPTF 1/2 To BSPT 1/2	1	
16	1916199	Tailpipe - Standard Depth	1	
	1916198	Tailpipe - Deep Depth	1	
17	21302	Union - 1/2" NPT	1	
18	14332	Nipple - 1/2" NPT x 3", Black	1	
19	05249	1/2" NPT x 90 Degree Elbow	1	
20	14323	Close Nipple - 1/2" NPT, Black	1	

\* NOT ILLUSTRATED

**RECOMMENDED STOCK PARTS**

DOOR COMPONENTS & ASSEMBLIES





**GARLAND PARTS IDENTIFICATION**  
**MASTER FULL SIZE GAS CONVECTION OVEN**  
*models MCO-GS/GD-10/20CE*

**DOOR COMPONENTS & ASSEMBLIES**

ITEM	PART #	DESCRIPTION	QUANTITY	CRITICAL
1	<b>1924712</b>	<b>Seal - Door, Bottom</b>	1	
2	<b>1924601</b>	<b>Seal - Door, Left &amp; Right</b>	2	
3	<b>1924711</b>	<b>Seal - Door Top</b>	1	
4	<b>1924411</b>	<b>Center - Right Door Seal</b>	1	
5	<b>1924412</b>	<b>Center - Left Door Seal</b>	1	
6	<b>8003123</b>	<b>#10-24 x 5/8" Machine Screw, Phillips, Stl</b>	6	
7A	1925013	Bracket - Door Stop L/H	1	
7B	4519740	Bracket - Door Stop R/H	1	
<b>DOOR CHAIN COMPONENTS (items 9 - 14)</b>				
9	<b>4520166</b>	<b>Door Chain Assembly</b> <b>Note:</b> Includes Items 10 -14.	2	C
10	1014201	Connecting Door Rod - Short <b>Note:</b> Item listed for reference only. Not Sold Separately.	2	
11	1014200	Connecting Door Rod - Long <b>Note:</b> Item listed for reference only. Not Sold Separately.	2	
12	1015000	Turnbuckle 1/4-20 with 4" Take Up	2	
13	1021100	Roller Chain #40	2	
14	1021299	Connecting Link #40	4	
<b>DOOR SWITCH COMPONENTS (items 16 - 23)</b>				
16	1804727	Harness - Door Micro Switch	1	C
17	<b>1855603</b>	<b>High Temp Micro Switch</b>	2	C
18	1925101	Cam - Door Switch	1	
19	1925001	Bracket Door Switch Right	1	
20	8001203	Nut - Hex, Steel, 8-32	2	
21	8003802	#10-24 x 3/8" Set Screw	2	
22*	8001502	#6-32 Nut with Washer Ksp	2	
23*	8003208	#6-32 x 2" Machine Screw, Phillips, Stl, Zinc	2	

\* NOT ILLUSTRATED

**RECOMMENDED STOCK PARTS**

**GARLAND PARTS IDENTIFICATION**  
**MASTER FULL SIZE GAS CONVECTION OVEN**  
*models MCO-GS/GD-10/20CE*

**LEFT & RIGHT DOORS COMPONENTS**

ITEM	PART #	DESCRIPTION	QUANTITY	CRITICAL
<b>LEFT &amp; RIGHT DOOR COMPONENTS - with Window or Solid</b>				
25	1924396	Door Handle Assembly- Black <b>Note:</b> Assembly includes items 26, 27, 28.	1	
26	1924195	Tube - Door	1	
27	1924206	Plate - Door Handle	2	
28*	8003605	1/4-20 x 1" Carriage Bolt, Black	2	
29	1924001	Panel - Left Door (Solid)	1	
	1924002	Panel - Left Door (Window)	1	
30	1915914	Insulation - Left Door (Window)	1	
	1915915	Insulation - Left Door (Solid)	1	
31	<b>1010999</b>	<b>Oven Door Window - 3/16" Glass (Window Option)</b>	1	
32	4520373	Weld Assembly Frame Left Door Extended Bearing Plate	1	
33	1923997	Panel - Left Door Liner (Window)	1	
	1923996	Panel - Left Door Liner (Solid)	1	
34	4520301	Plate - Door Bushing Extended	2	
35	1923201	Spacer - Door Hinge	2	
45	3077100	7-5/8" GARLAND Nameplate	1	
46	1924003	Panel - Right Door (Solid)	1	
	1924004	Panel - Right Door (Window)	1	
47	1915916	Insulation Right Door (Window)	1	
	1915917	Insulation - Right Door (Solid)	1	
48	4520374	Weld Assembly Frame Right Door Extended Bearing Plate	1	
49	1923998	Panel - Right Door Liner (Solid)	1	
	1923904	Panel - Right Door Liner (Window)	1	

\* NOT ILLUSTRATED

**RECOMMENDED STOCK PARTS**

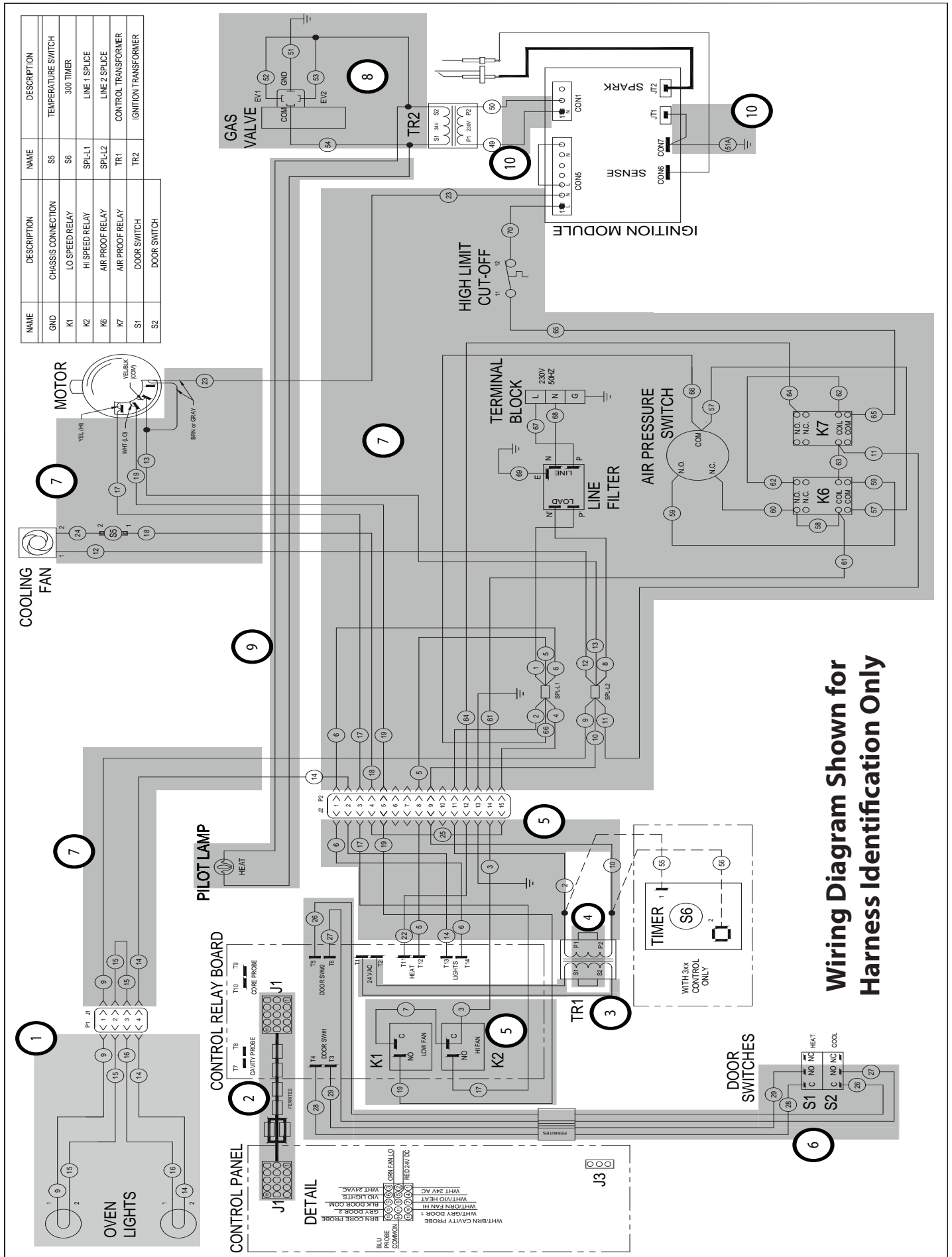
**GARLAND PARTS IDENTIFICATION**  
**MASTER FULL SIZE GAS CONVECTION OVEN**  
*models* **MCO-GS/GD-10/20CE**

**COMPLETE DOOR ASSEMBLIES**

ITEM	PART #	DESCRIPTION	QUANTITY	CRITICAL
<b>LEFT DOOR - COMPLETE ASSEMBLIES</b> (includes Left Door Components and the Center Door Seal)				
60	4520311	MCO Complete Door Kit - Left (WINDOW)	1	
	4520313	MCO Complete Door Kit - Left (SOLID)	1	
<b>RIGHT DOOR - COMPLETE ASSEMBLIES</b> (includes Right Door Components and the Center Door Seal)				
61	4520312	MCO Complete Door Kit - Right (WINDOW)	1	
	4520314	MCO Complete Door Kit - Right (SOLID)	1	

\* NOT ILLUSTRATED

**RECOMMENDED STOCK PARTS**



**Wiring Diagram Shown for  
Harness Identification Only**

**GARLAND PARTS IDENTIFICATION**  
**MASTER FULL SIZE GAS CONVECTION OVEN**  
*models MCO-GS/GD-10/20CE*

**WIRE HARNESS IDENTIFICATION / WIRING DIAGRAM PART NO.**

ITEM	PART #	DESCRIPTION
1	1949579	Wire Harness - Oven Lights
2	300812	Wire Harness Assembly - CE, Control to Relay/PCB - FOR ANY UNIT WITH <b>FASTRON CONTROL</b> <b>Note:</b> Includes items 2A (x1) and 2B (x4).
2A	1905901	Wire Harness (CE) - Control to Relay/PCB - FOR ANY UNIT WITH <b>FASTRON CONTROL</b>
2B	300811	Snap-On Ferrite Core - FOR ANY UNIT WITH <b>FASTRON CONTROL</b>
2C*	4529003	Cable, UI / SRB - FOR ANY UNIT WITH <b>ELREHA CONTROL</b>
3	1949565	Jumper - Relay Board
4	1949566	Jumper Assembly - Transformer Leads
5	1949578	Wire Harness - Relay Board
6	1804727	Door Harness
7	300816	Wire Harness - Main Wiring, 230V, Gas MCO, CE
8	4524981	Wire Harness - Gas Valve / Transformer DSI, CE
9	1949564	Jumper - Pilot Lamp, CE
10	4524985	Wire Harness - Transformer / Ignition Module DSI, CE
11*	300814	Wiring Diagram - 230V 50Hz CE Gas Fast Control (400 Series) <b>Note:</b> Item listed <b>For Reference Only</b> . Please contact <b>Technical Service</b> for assistance.

\* NOT ILLUSTRATED

**RECOMMENDED STOCK PARTS**

**GARLAND PARTS IDENTIFICATION**  
**MASTER FULL SIZE GAS CONVECTION OVEN**  
*models MCO-GS/GD-10/20CE*

**AVAILABLE KITS**

**Single Deck Kits (Legs / Casters / Open Base)**  
*(For Reference Only - Contact Sales Department for assistance)*

<b>PART #</b>	<b>DESCRIPTION</b>
1951213	S/S Open Base & Feet Kit - Full Size MCO
1951214	S/S Open Base & Casters - Full Size MCO
1951204	Single Deck S/S Legs & Feet Inserts - Full Size MCO
1951205	Single Deck S/S Legs and Casters - Full Size MCO

**Double Deck Kits (Legs / Casters)**  
*(For Reference Only - Contact Sales Department for assistance)*

<b>PART #</b>	<b>DESCRIPTION</b>
1951209	Kit MCO - Heavy Duty Casters
1951210	Kit MCO - LO-Profile Casters
1951223	Double Deck Gas W/Inserts
1951226	Double Deck Gas W/Casters
1951228	Double Deck Gas W/Lo Profile Casters

**Ventilation Kit**  
*(For Reference Only - Contact Sales Department for assistance)*

<b>PART #</b>	<b>DESCRIPTION</b>
1951229	Stainless Steel Canopy Diverter

**RELATED BULLETINS**

<b>BULLETIN #</b>	<b>SUBJECT</b>	<b>DATE</b>
B-97-2009-S	Axial Cooling Fan (Fan Installation)	SEP 17/09

**GARLAND PARTS IDENTIFICATION**  
**MASTER FULL SIZE GAS CONVECTION OVEN**  
*models MCO-GS/GD-10/20CE*

**CRITICAL & RECOMMENDED STOCK PARTS LIST**

PART #	DESCRIPTION	CRITICAL	RECOMMENDED
300810	Line Filter - CE, 20A 250V	C	
1010999	Oven Door Window - 3/16" Glass (Door with Window Option)		R
1270000	Indicator Lamp - Amber, 28V		R
1623900	Light Bulb 40W		R
1636000	Transformer - 24V	C	R
1671101	Cooling Fan 208 / 240 V	C	R
1686712	Motor - 3/4 HP, 208/240V, 2 Speed	C	
1720502	Fluted Fast Control Knob		R
1804727	Harness - Door Micro Switch	C	
1855603	High Temp Micro Switch	C	R
1906002	Flange Mount Oven Probe (USE ONLY WITH 1906003)	C	
1906003	Probe Interconnect Harness (USE ONLY WITH 1906002)	C	
1911601	Potentiometer - Encoder	C	R
1916903	Power Control Board Assembly - CE	C	R
1917103	Transformer 230V CE	C	R
1924411	Center - Right Door Seal		R
1924412	Center - Left Door Seal		R
1924601	Seal - Door, Left & Right		R
1924711	Seal - Door Top		R
1924712	Seal - Door, Bottom		R
1960401	Switch - Air Pressure	C	R
2475501	Relay 240V	C	R
2579700	Multi-Function Valve Gas	C	R
2579701	Plug with Cord		R
4520166	Door Chain Assembly	C	R
4523414	Ignitor - DSI Burner Pack	C	R
4523415	Flame Sensor - DSI Burner Pack	C	R
4524665	Ignition Control, MCO-CE	C	R
4531125	Kit, MCO 450 CE Controller Replacement (Gas/Electric), Elreha	C	
8003123	Machine Screws - Phillips, #10-24 x 5/8" Stl 2P (for Oven Door Seals)		R
C5001041	High Limit Safety Switch (Safety Temperature Limiter) - CE	C	
CK1003091	Motor Assembly - 2 Speed, 208/240 V	C	
CK113999	Relay Board Assembly, Elreha, Gas, CE	C	R
S113852	Relay Board Assembly, Fast, CE	C	R

**REVISION HISTORY**

REV	PAGE #	ITEM #	NOTES	DATE
0			New CE Certified Model: MCO-GS/GD-10CE (2011)	OCT 06/11
1	6	38	Added insulation kits 113361, 113364	AUG 10/12
	6	39	Added drip pans 1959401, 1959402	
	8-10	4A,6A	Added Overlay P/N. Added New Control Conversion Kit. 4531125 as 1905703 is NLA.	
	10-11	27, 27A	Added relay board asm (S113852) and bracket (1916801)	
	12-13		Inserted pages for Elreha control panel and components.	
	21	2C	Added - Cable (4529003) for Elreha Control	
2	12	40	New Relay Board Assembly Kit, Elreha, CE, P/N. CK113999	JAN 16/13

