



***CONVECTION OVEN
HALF SIZE MOISTURE PLUS
ELECTRIC***

PARTS LIST



Toll Free Phone, (US & Canada): (800) 427-6668

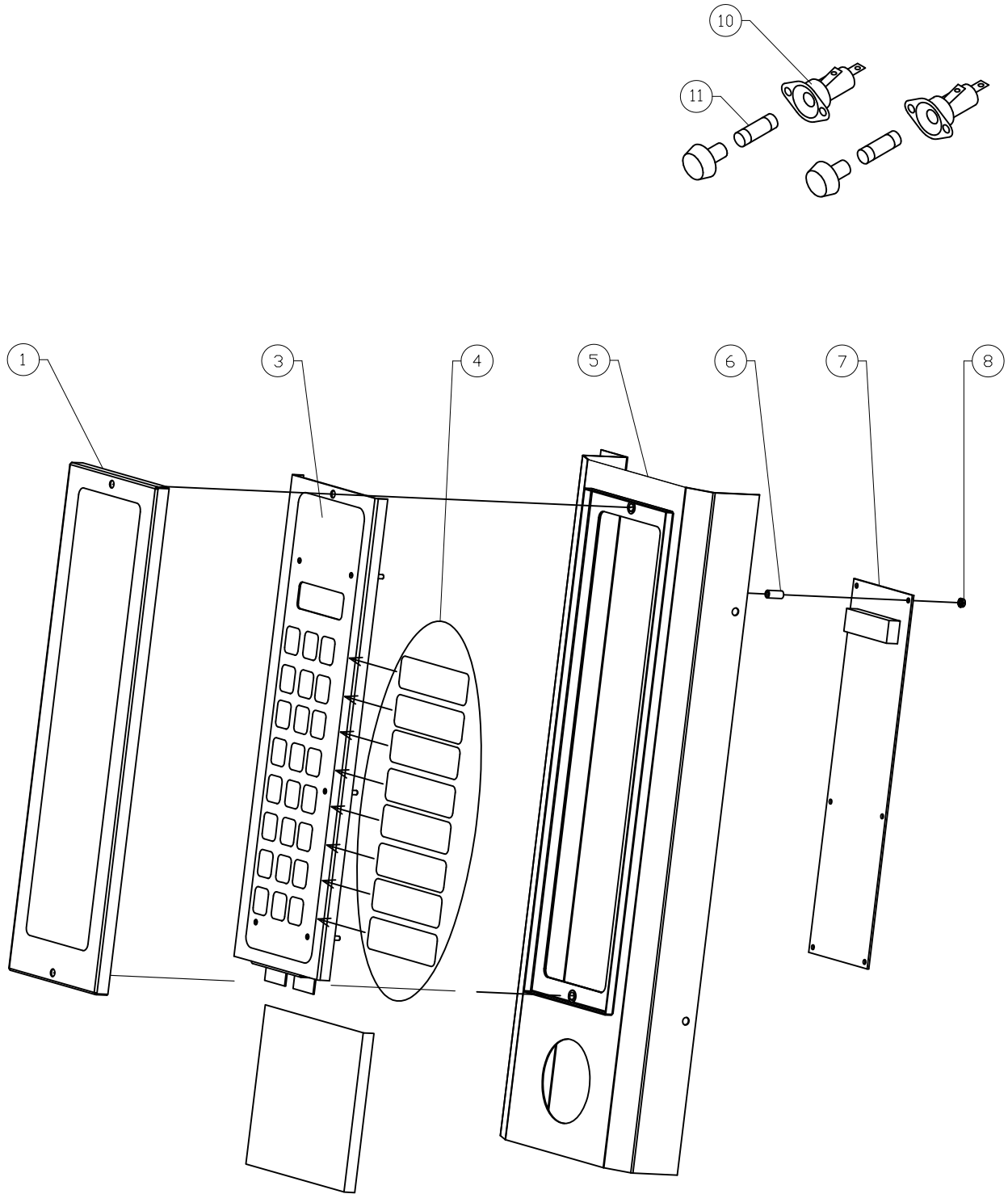
Toll Free Fax, (US & Canada): (800) 361-7745

<http://www.garland-group.com>



HALF SIZE MOISTURE PLUS

DESCRIPTION	PAGE
CONTROL PANEL ASSEMBLY VIEW	4
PARTITION ASSEMBLY VIEW	6
DOOR ASSEMBLY VIEW	8
GLASS ASSEMBLY VIEW	10
DOOR COMPONENTS ASSEMBLY VIEW	12
INSIDE OVEN COMPONENTS ASSEMBLY	14
WATER COMPONENTS ASSEMBLY VIEW	16
HOOD COMPONENTS ASSEMBLY VIEW	18
COVER COMPONENTS ASSEMBLY VIEW	20
PARTS DIGITAL PHOTOS	22

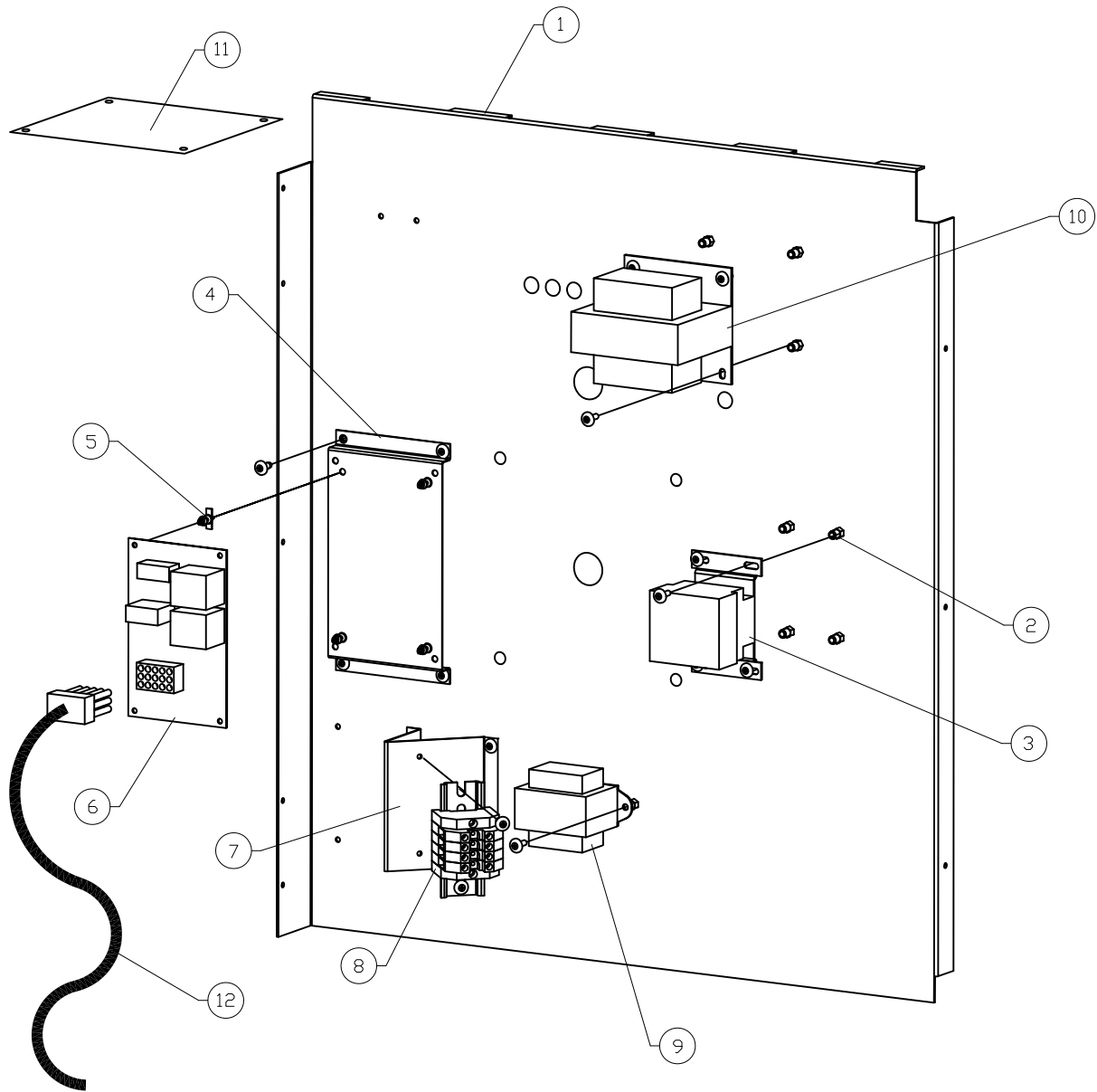


GARLAND PARTS IDENTIFICATION
CONTROL PANEL ASSEMBLY VIEW - MODEL: MPOE5

ITEM	PART #	DESCRIPTION	QTY	CRITICAL
1	4517387	Veneer, Control Panel MPOE5L	1	
3	4518206	<i>Kit - MPOE5 - TDL Control Panel</i>	1	C
4	4522418	Icons - Tim Horton	1	
5	4517535	Build Assembly Control Panel MPOE5L-Th	1	
6	1955703	Spacer	6	
7	4515854	Control, M+	1	C
8	8001502	Nut W/L'Washer 6-32 Kep	6	
10	1774101	Fuse Holder 600V 30A HPG	2	
11	4513157	<i>Fuse, 600V 10A Time Delay</i>	1	C

* NOT ILLUSTRATED

RECOMMENDED STOCK PARTS

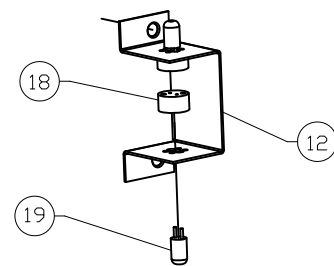
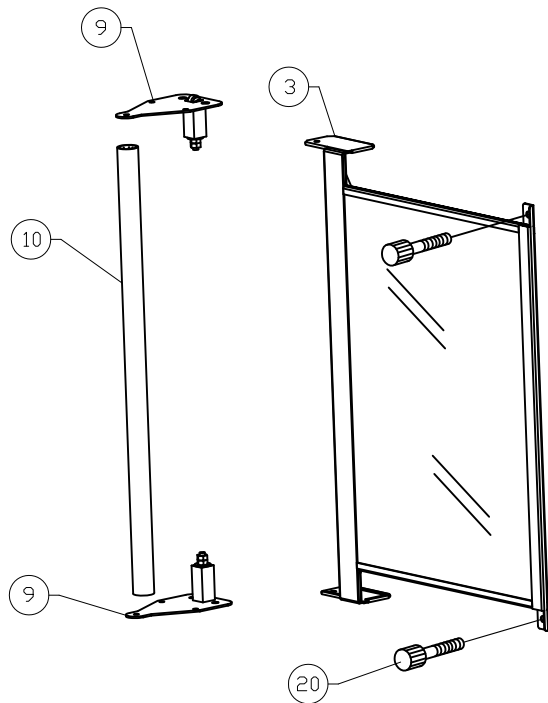
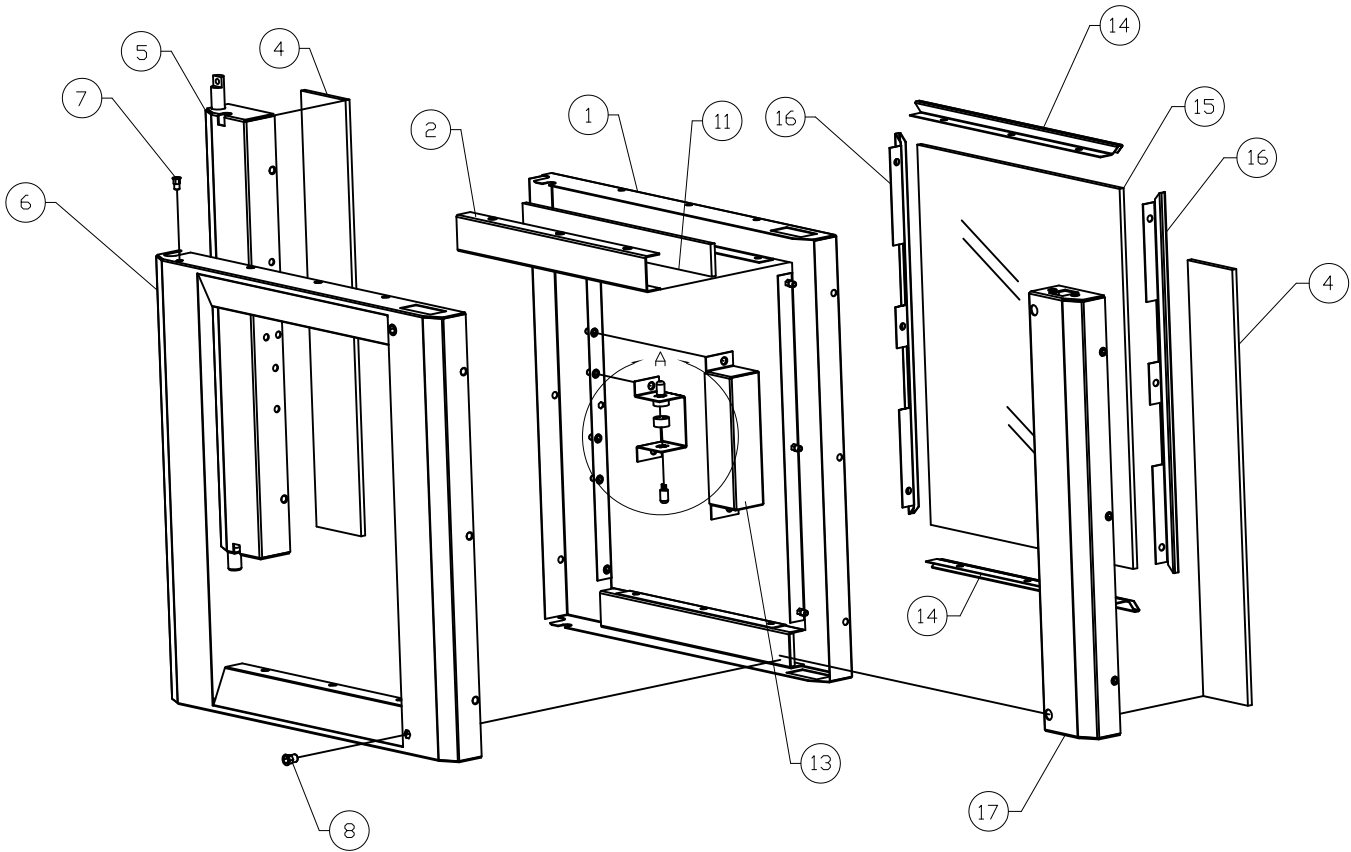


GARLAND PARTS IDENTIFICATION
PARTITION ASSEMBLY VIEW - MODEL: MPOE5

ITEM	PART #	DESCRIPTION	QTY	CRITICAL
1	1961102	Partition Side MPOE5L	1	
2	9000902	#10-24 Hexagonal Tns	10	
3	1637002	Contactor 240V Coil	1	C
4	1962201	Relay Board Mounting Brkt	1	
5	1767901	Nylon Pcb Spacer	4	
6	1933801	Relay Board, M+	1	C
7	1962208	Bracket, Terminal Block Mtg	1	
8	4516982	Terminal Block - 10 mm	1	
9	4521630	Transformer, 120/240v - 24v, 40VA <i>Used from serial # 0709100242104 - Sept 7, 2007</i>	1	C
	4523845	Transformer Kit		
9A*	Note: Unit manufactured before Serial Number 0709100242104 - Sept 7, 2007 will required transformer kit Part number 4523845		1	
10	4517595	Transformer 120/240 To 24V	1	C
11	1966404	Card Reader	1	
12	1936076	Wire Harness Relay Board Control - M+	1	

* NOT ILLUSTRATED

RECOMMENDED STOCK PARTS



DETAIL A

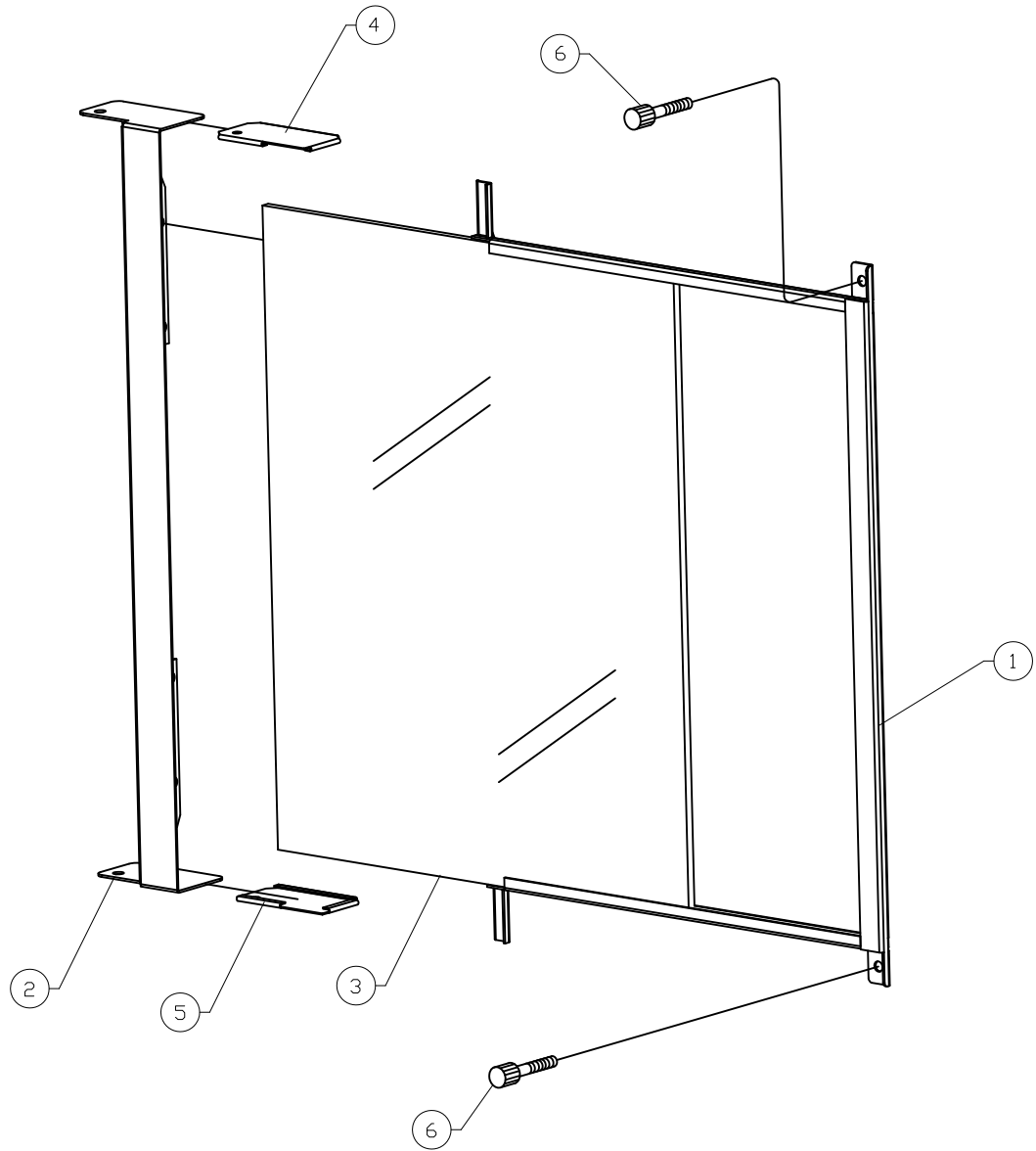
**GARLAND PARTS IDENTIFICATION
DOOR ASSEMBLY VIEW - MODEL: MPOE5**

ITEM	PART #	DESCRIPTION	QTY	UPTO	FROM	CRITICAL
1	4516957	Build Assembly, Liner MPOE5 Door	1			
2	4516953	Build Assembly, Frame Top/Btm MPOE5 Door	1			
3	4523929	Build Assembly, Frt Door Glass MPOE5	1			
4	4517992	Insul-Atd T5000 Door Lt/Rt	2			
5	4516951	Insul-Atd T5000 Door Lt/Rt	1			
6	4516947	Panel, MPOE5L Door	1			
7	9000902	#10-24 Hexagonal Tns	2			
8	1916701	Thrded Insrts 1/4-20 Open End	2			
9	1952096	Build Assembly, Handle End Latch	2			
10	1952098	Build Assembly, Handle Half Size Co	1			
11	4517991	Insul-Atd T5000 Door Top/Btm	2			
12	4517362	Bulb Holder	1			
13	4517361	Light Box	1			
14	4523918	Frame, Top/Btm MPOE5 Window	2			
15A	4517384	Window, 3/8" x 15 X 18.5 MPOE5L	1	29-Oct-07		
15B	4523920	Inner Window - 1/4" x 14.813 x 18.375 MPOE5L			30-Oct-07	
16	4523917	Frame, Lt/Rt MPOE5L Window	2			
17	4516950	Build Assembly, Frame Handle Side MPOE5	1			
18	4518014	Socket, Oven Door Light MPOE5L	2			
19	4517905	Bulb, Halogen 50W 24V Clr	2			
20	8006501	Thumb Screw	2			
21	4520686	Door Assembly MPOE5L Part Service Kit	1			

* NOT ILLUSTRATED

RECOMMENDED STOCK PARTS

Important Note: In the Month of October 2007, both Inner Glass P/N 4517384 & new P/N 4523920 were used by production. Please verify Glass thickness & match to current inner Glass Part Number.



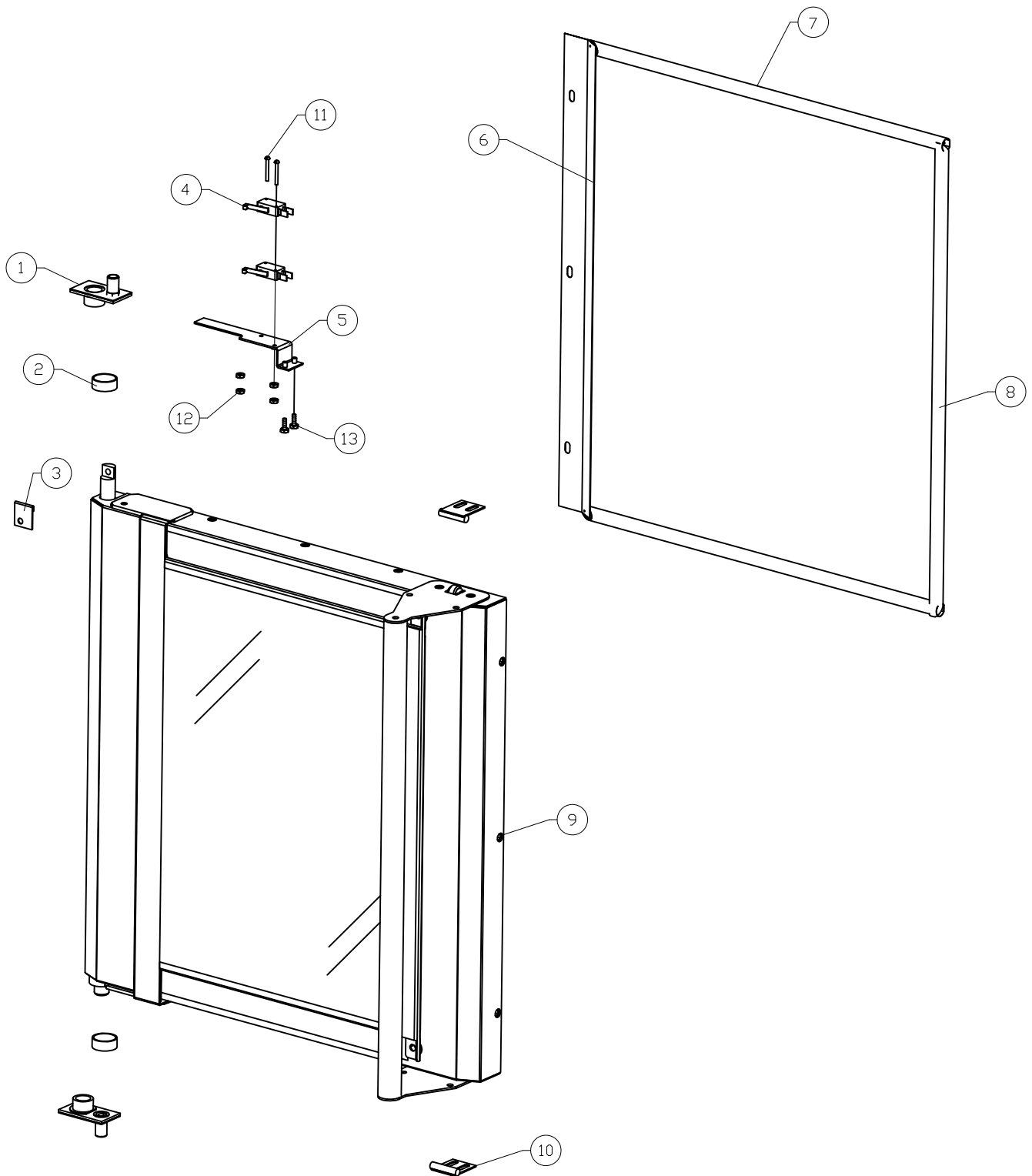
GARLAND PARTS IDENTIFICATION
GLASS ASSEMBLY VIEW - MODEL: MPOE5

ITEM	PART #	DESCRIPTION	QTY	UPTO	FROM	CRITICAL
1	4523925	Weld Assembly, Front Door Glass MPOE5	1			
2	4523921	Bracket - Left Support Outer Door Window	1			
3A	4517384	Outer Window, 3/8" x 15 X 18.5 MPOE5L	1	29-Oct-07		
3B	4523928	Outer Window, 3/8" x 14.680 x 18.438 MPOE5L	1		30-Oct-07	
4	4523987	Trim, Window Bracket Top	1			
5	4523988	Trim, Window Bracket Bottom	1			
6	8006501	Thumb Screw	2			

* NOT ILLUSTRATED

RECOMMENDED STOCK PARTS

Important Note: In the Month of October 2007, both Outer Glass P/N [4517384](#) & new P/N [4523928](#) were used by production. Please contact The Garland Parts Department and provide your S/N so they may validate the current Outer Glass Part number required.

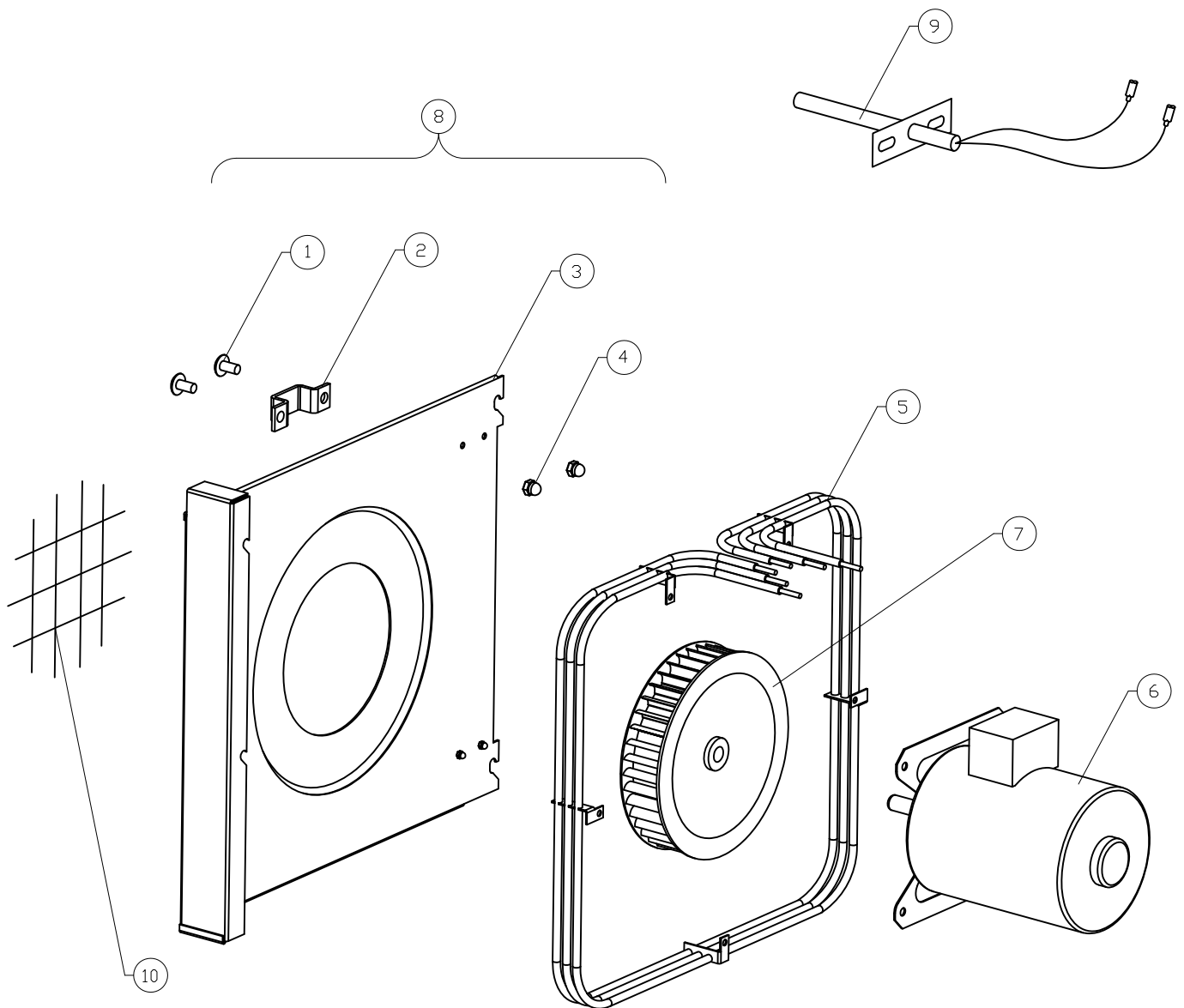


GARLAND PARTS IDENTIFICATION
DOOR COMPONENTS ASSEMBLY VIEW - MODEL: MPOE5

ITEM	PART #	DESCRIPTION	QTY	CRITICAL
1	CK1385497	Hinge Bracket Assembly	2	
2	8006301	Trim Ring S/S .438 (7/16")	2	
3	1962105	Micro Switch Activator	1	
4	9006401	Switch-Mini Snap Hi-Temp 1 Amp	2	C
5	4522011	Kit MPOE5L Door Switches	1	
		Item # 13 Included In This Kit		
		Note: Micro Switches Are Not Part Of This Kit		
6	1966503	Door Seal Hinge Side SS	1	
7	1966502	Door Seal Top/Btm Silicon	2	
8	1966501	Door Seal Rt Silicon	1	
9	4516956	Door MPOE5	1	
		More details - Page 8		
10	4518123	Weld Assembly, Door Catch MPOE5	2	
11	8003222	MSCR-PH-Phil 4-40x1-1/2" STL 2P	2	
12	8001201	Nut Hex 4-40 Stl ZP	4	
13	4521273	10-24x1/2" Pan Head Screw - Type "F"	2	

* NOT ILLUSTRATED

RECOMMENDED STOCK PARTS



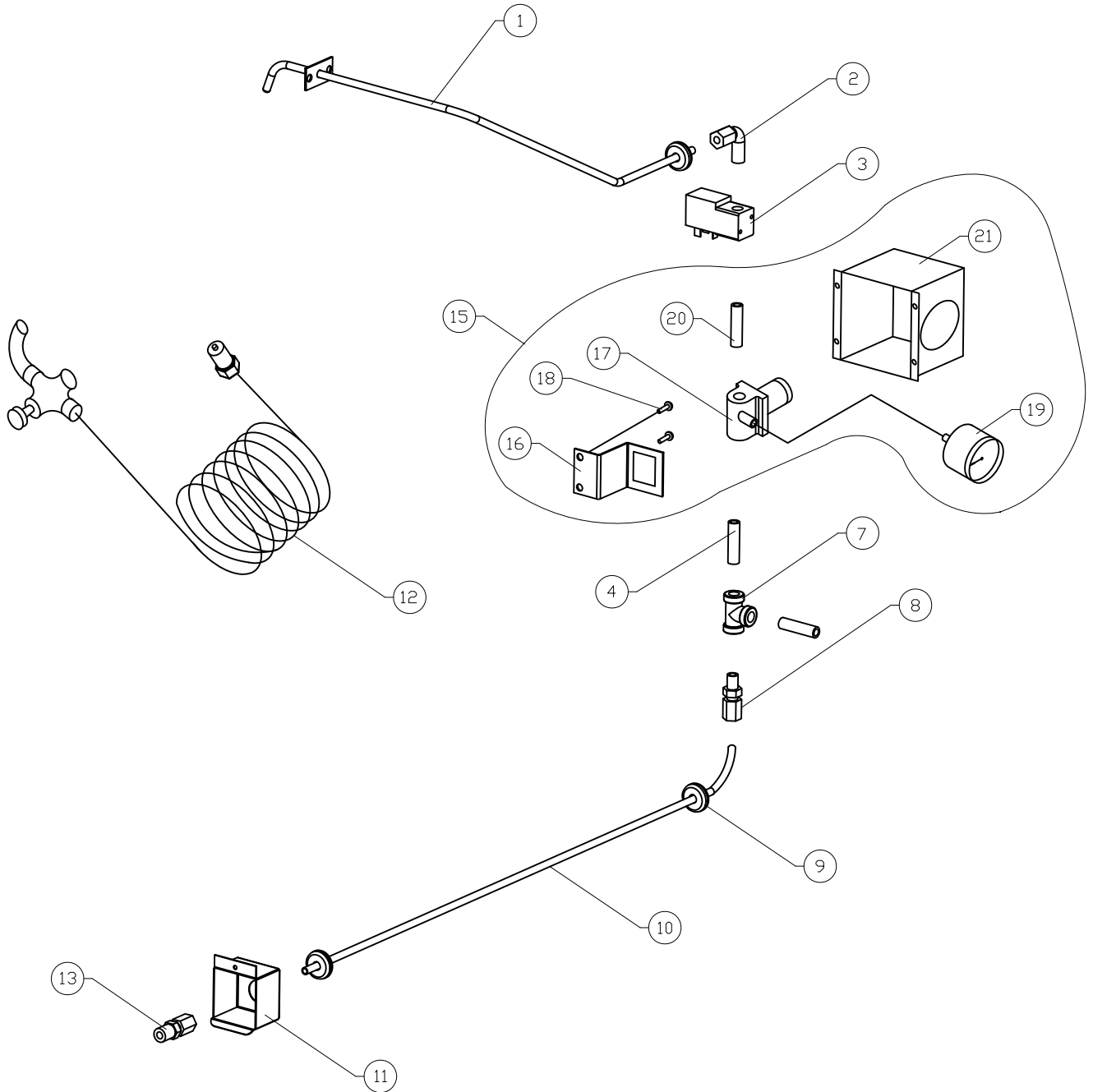
GARLAND PARTS IDENTIFICATION
INSIDE OVEN COMPONENTS ASSEMBLY - MODEL: MPOE5

ITEM	PART #	DESCRIPTION	QTY	CRITICAL
1	8003140	Mscr-Th-Phil 10-24 X 3/8 Ss	16	
2	1765212	Rack Clip	8	
3	4517348	Baffle, MPOE5L SS	1	
4	4518088	Nut, Acorn 10-24 Ss	16	
5	4517469	Element Pkg, 208V 7.5Kw Mcoe5	1	C
	4517470	Element Pkg, 240V 7.5Kw Mcoe5		C
	4517471	Element Pkg, 208V 5.0Kw Mcoe5		C
	4517472	Element Pkg, 240V 5.0Kw Mcoe5		C
6	1951502	Motor 240V 1/3Hp 2Sp 5/8 Shaft	1	C
7	4517536	Blower Wheel	1	C
8	4517349	Complete Baffle MPOE5L SS	1	
		Item Included - 1, 2, 3 & 4		
9^	1906002	Probe - Rtd, Flange Mount	1	C
10	4522317	Blower Inlet Cover	1	

* NOT ILLUSTRATED

^ DIGITAL PHOTO AT THE END

RECOMMENDED STOCK PARTS

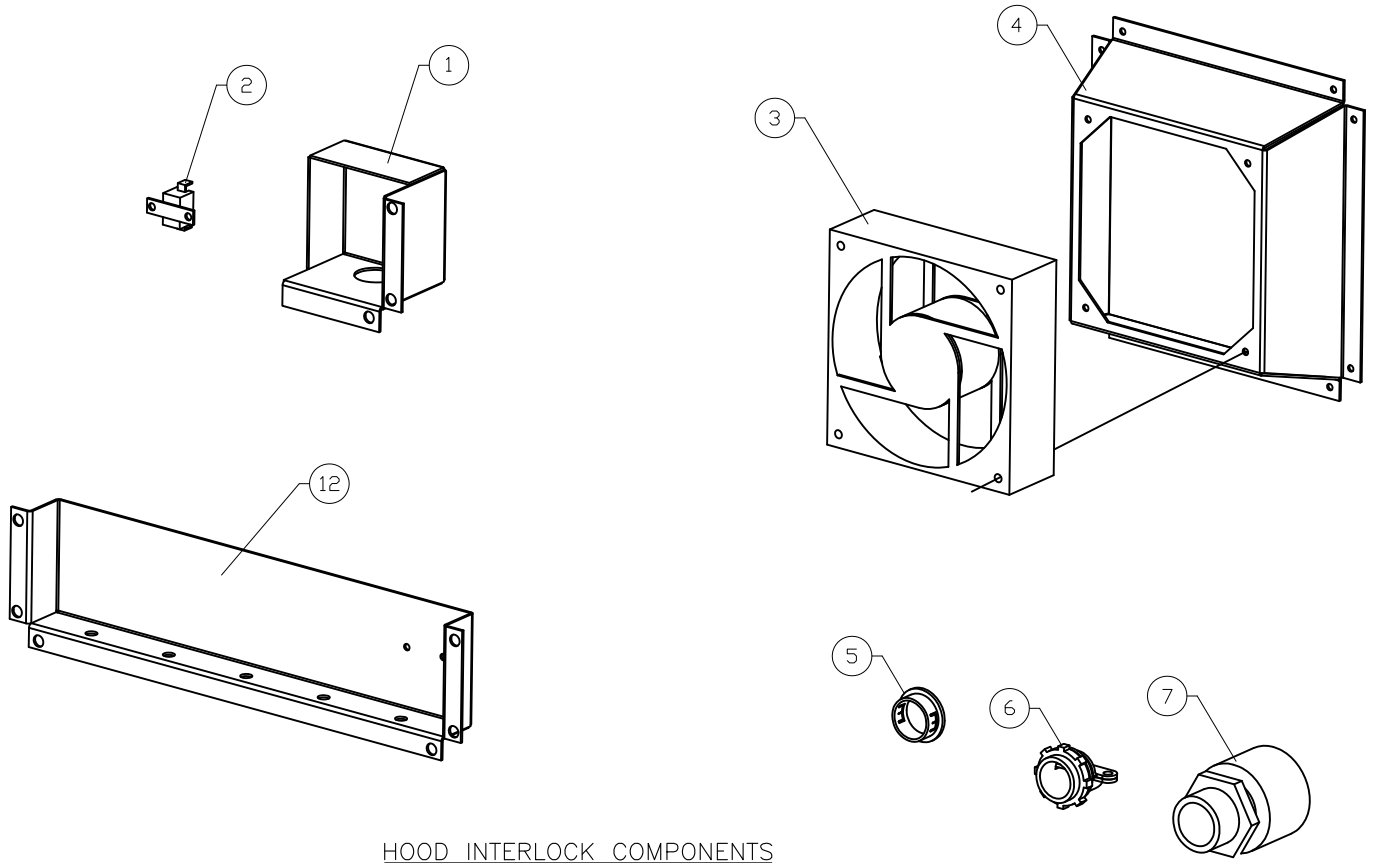


GARLAND PARTS IDENTIFICATION
WATER COMPONENTS ASSEMBLY VIEW - MODEL: MPOE5

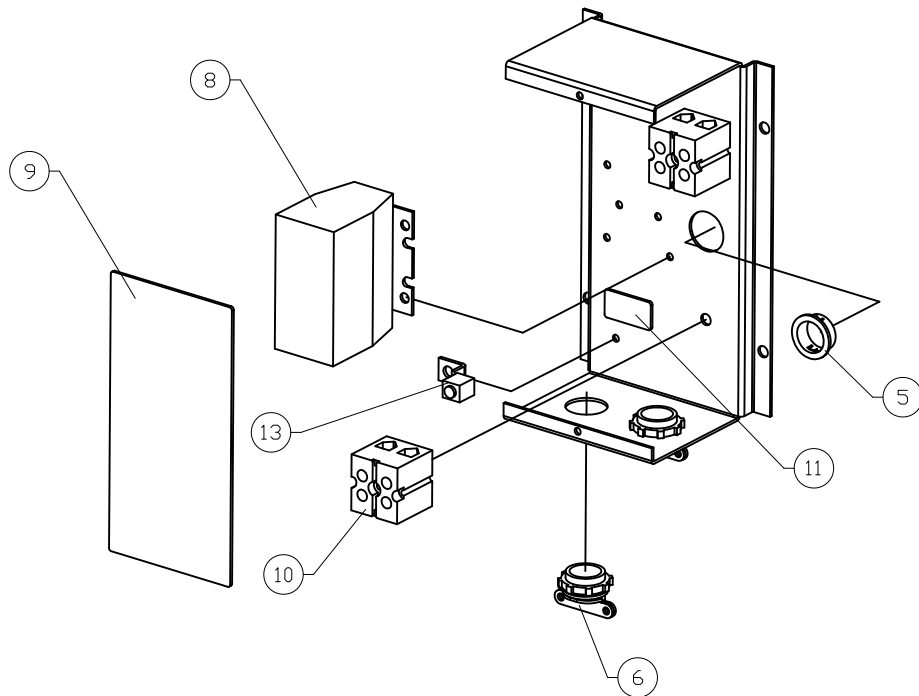
ITEM	PART #	DESCRIPTION	QTY	UP TO	FROM	CRITICAL
1	4517533	Tubing, Spritz Nozzle MPOE5	1			
2	1934902	Fitting-1/8Npt 90 To Cc SS				
3	1934401	Solenoid-M+	1			C
4	1935201	Fitting-1/8Npt 1-1/2 Nipple SS	3			
5*	4518124	Regulator, 10Psi Fixed NLA - Use item number 15	1	Apr-07		
6*	4518038	Bracket, Regulator Mounting NLA - Use item number 15	1	Apr-07		
7	1935203	Fitting-1/8 Npt T, Ss M+				
8	1934901	Fitting-1/8 Npt-Cc Ss, M+	2			
9	4517477	Grommet,H2O Line .313 Idx1 Od	3			
10	4517534	Tubing, Hose Connection Mpoe5				
11	1933411	Cover, Water Connection				
12	4517543	Spray Valve Assembly with 10' Hose & Quick Disconnect	1			
13	1934901	Fitting 1/8 NPT-CC SS M+	1			
15	4522822	TDL Water Regulator Kit Items included: 16,17,18,19,20,21	1		Apr-07	C
16	4522392	Bracket, Water Soleniod	1		Apr-07	
17	1934501	Pressure Regulator ASCO	1		Apr-07	C
18	8002107	Screw Philips #10 X 1/2"	2		Apr-07	
19	1934502	Pressure Gauge	1		Apr-07	
20	1935201	1/8" NPT x 1-1/2" Nipple	1		Apr-07	
21	4517019	Cover Spritz Components	1		Apr-07	

* NOT ILLUSTRATED

RECOMMENDED STOCK PARTS



HOOD INTERLOCK COMPONENTS

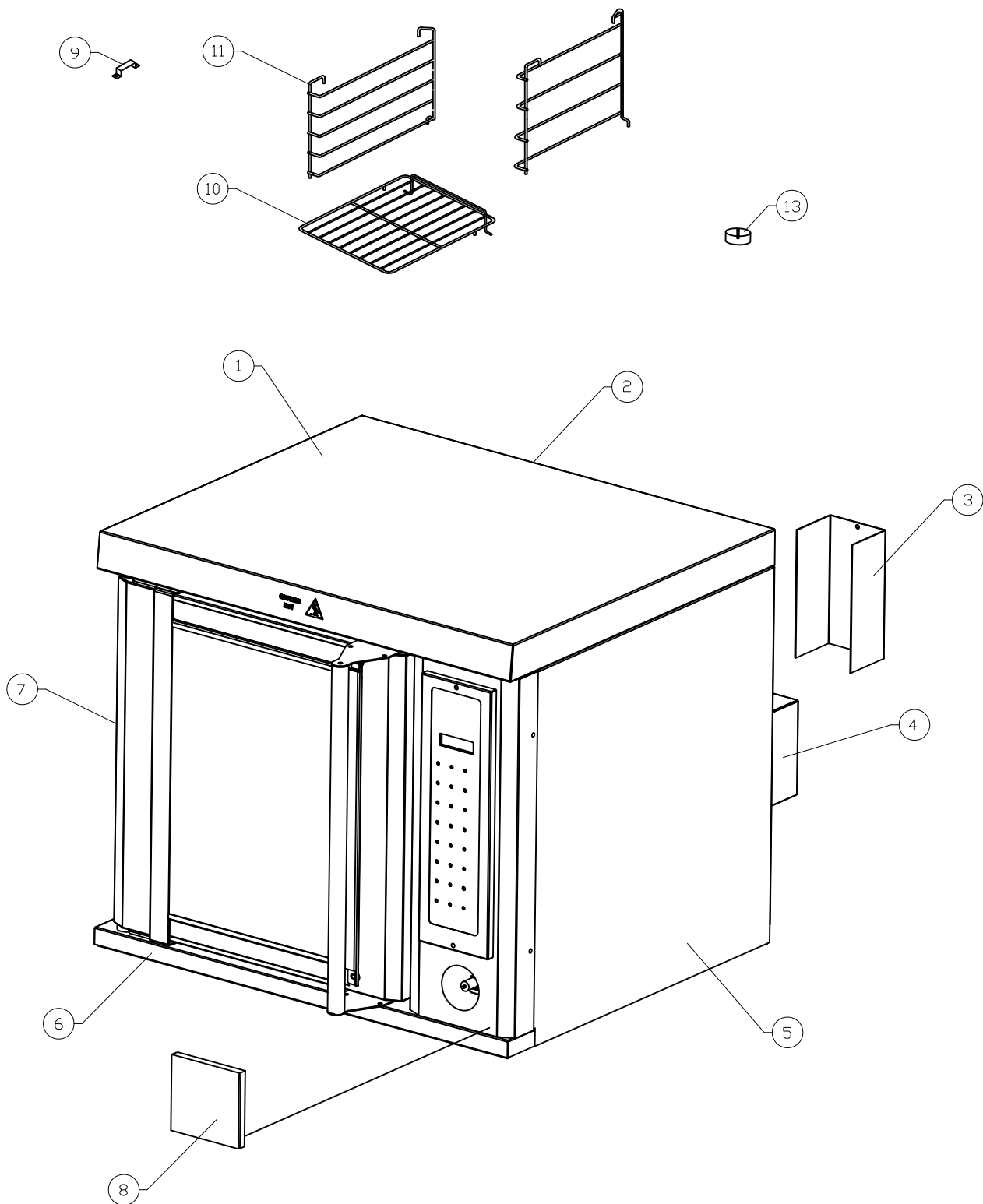


GARLAND PARTS IDENTIFICATION
HOOD COMPONENTS ASSEMBLY VIEW - MODEL: MPOE5

ITEM	PART #	DESCRIPTION	QTY	CRITICAL
1	1960503	Hi-Limit Box	1	
2	1966409	<i>Hi-Limit</i>	1	C
3	1671101	<i>Fan - 120MM 230V</i>	1	C
4	1962205	Cooling Fan Cowl	1	
5	1028809	Snap Bushing .875 Dia		
6	1028501	3/8 Bx Straight Connector	2	
7	4517499	Cord Connector & Nut - Nylon		
8	1772801	30 Amp Single Pole Contactor	1	
9	1772401	Label - Card Control	1	
10	1772901	Mini 2 Pole Terminal Block	2	
11	1104300	Label Ground Symbol	1	
12	1960502	Flue Box Mcoe5	1	
13	1028402	Ground Lug	1	

* NOT ILLUSTRATED

RECOMMENDED STOCK PARTS



GARLAND PARTS IDENTIFICATION
COVER COMPONENTS ASSEMBLY VIEW - MODEL: MPOE5

ITEM	PART #	DESCRIPTION	QTY	CRITICAL
1	1960901	Main Top SS	1	
2	1960507	Main Back MPOE5L SS	1	
3	1966102	Hood Interlock Relay Cover	1	
4	4517019	Cover, Spritz Components	1	
5	4517016	Body Side, Cntrl Ss MPOE5	1	
6	1960802	Front Base Veneer MPOE5L	1	
7	1951401	Body Side, Oven Ss	1	
8	4518153	Cover , Hose Connection	1	
9	1765212	Rack Clip SS	4	
10	4517760	Oven Rack SS	4	
11	4517761	Rack Guide SS 4-Positions	2	
12*	1960504	BX Cable 15.375"	1	
13	4517906	Drain Stop	1	

* NOT ILLUSTRATED

RECOMMENDED STOCK PARTS



1906002
PROBE - RTD, FLANGE MOUNT

GARLAND PARTS IDENTIFICATION

Revision History

REV. #	PAGE #	ITEM #	NOTE	DATE
00			Part List Book Released	March 30/04
01	9	21	Part number 4516956 replaced by 4520686	Sept 20/05
02	14,15	10	New part number added	Jan 4/06
03	13	2	New part number - was 1011201	Jan 10/06
04	9,11	20,6	Part number changed	Feb 21/06
5	12		New drawing - Item 5 modified	Feb 5/07
	13	5	Part number & description changed - was # 1962106 (Micro Switch Bracket)	
	15	10	Part number changed - was # 1014500	
6	12		New drawing	Feb 12/07
	13	5 11,12,13	Description added: Item # 13 Included In This Kit New part number added	
7	4, 5	4	New part number added	May 29/07
	20, 21	13		
	12		New drawing	
	13	11	New part number - was 8003221 (MSCR-PH-Phil 4-40x1-1/2" STL 2P)	
		12	New part number - was 8001505 (Nut W/L Washer 4-40 KEP ZP)	
	16		New Drawing	
17	5,6	Parts no longer available - use kit number as specified		
	15 to 21	New part number added		
8	16,17	13	Part number added	Aug 16/07
9	6,7	12	New part number added	Dec 12/07
		9	Part # replaced - was 1636000 (Transformer,24 Vac)	
		9A	New part number & note added	
	9	3	Part # replaced - was 4517993	
		14	Part # replaced - was 4516955	
		15A	Description changed	
		15B	New part number added	
		16	Part # replaced - was 4516954	
	11	21	Part # replaced - was 4520686	
			Important note added at the bottom	
		1	Part # replaced - was 4518025	
		3A	Description changed - was Window 15 X 18.5 MPOE5L	
	19	3B	New part number added	
		Important note added at the bottom		
7	7	Description added		
		Critical column added		
10	7	8	Part number changed - was 1860113	May 27/10
	11	2	Part # replaced - was 4517066	
		4	Part # replaced - was 4523988	
		5	Part # replaced - was 4518017	
	13	1	Part number changed - was 1385497	

NOTES

NOTES

 **Garland**[®]