

Sunfire Series

Full Size Gas Convection Ovens

Parts List

Standard Models

SCO-GS-10S

SCO-GS-20S

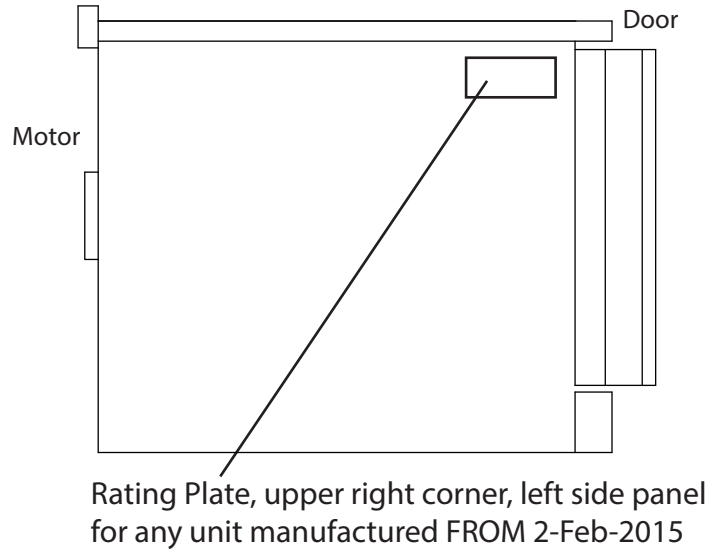
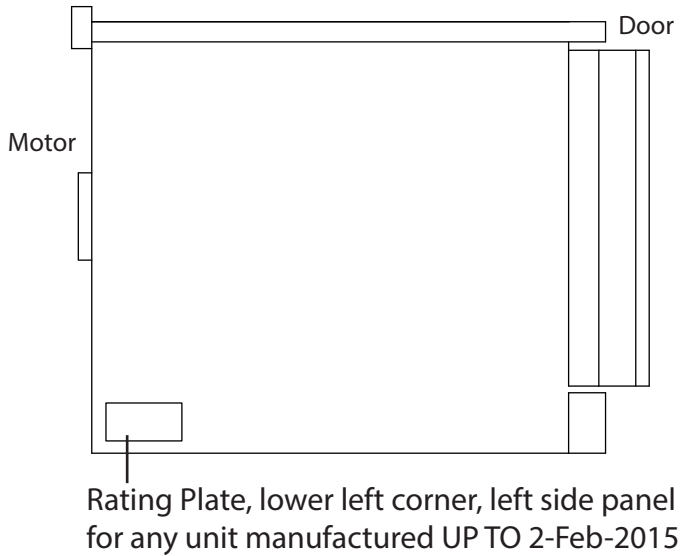
Energy Star Models

SCOGS10ESS

SCOGS20ESS



Rating Plate Location



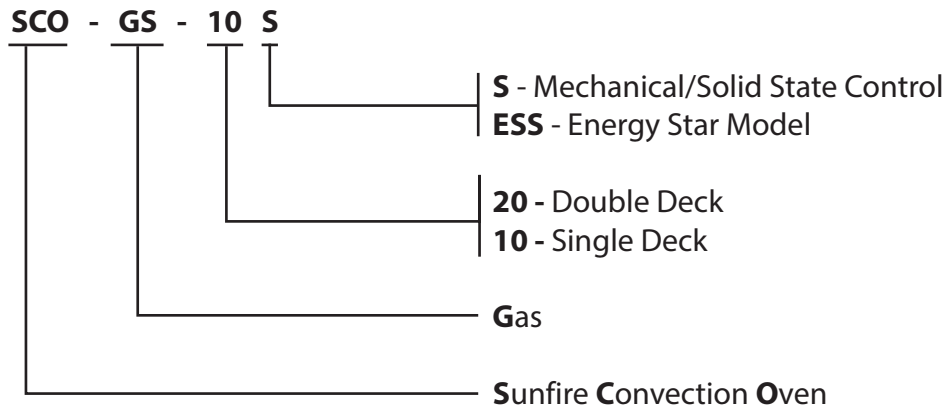
Model Number Explained

☐ SCO-GS-10S

☐ SCO-GS-20S

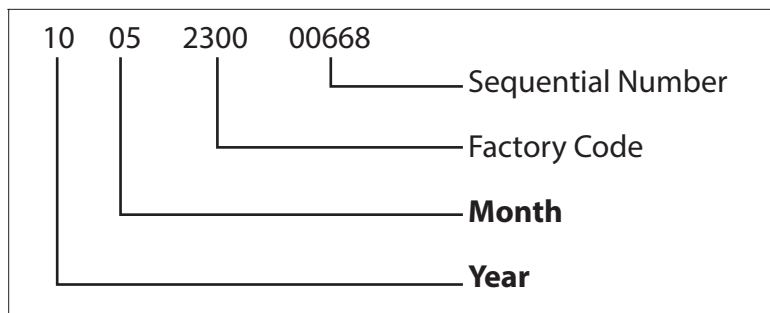
☐ SCOGS10ESS

☐ SCOGS20ESS



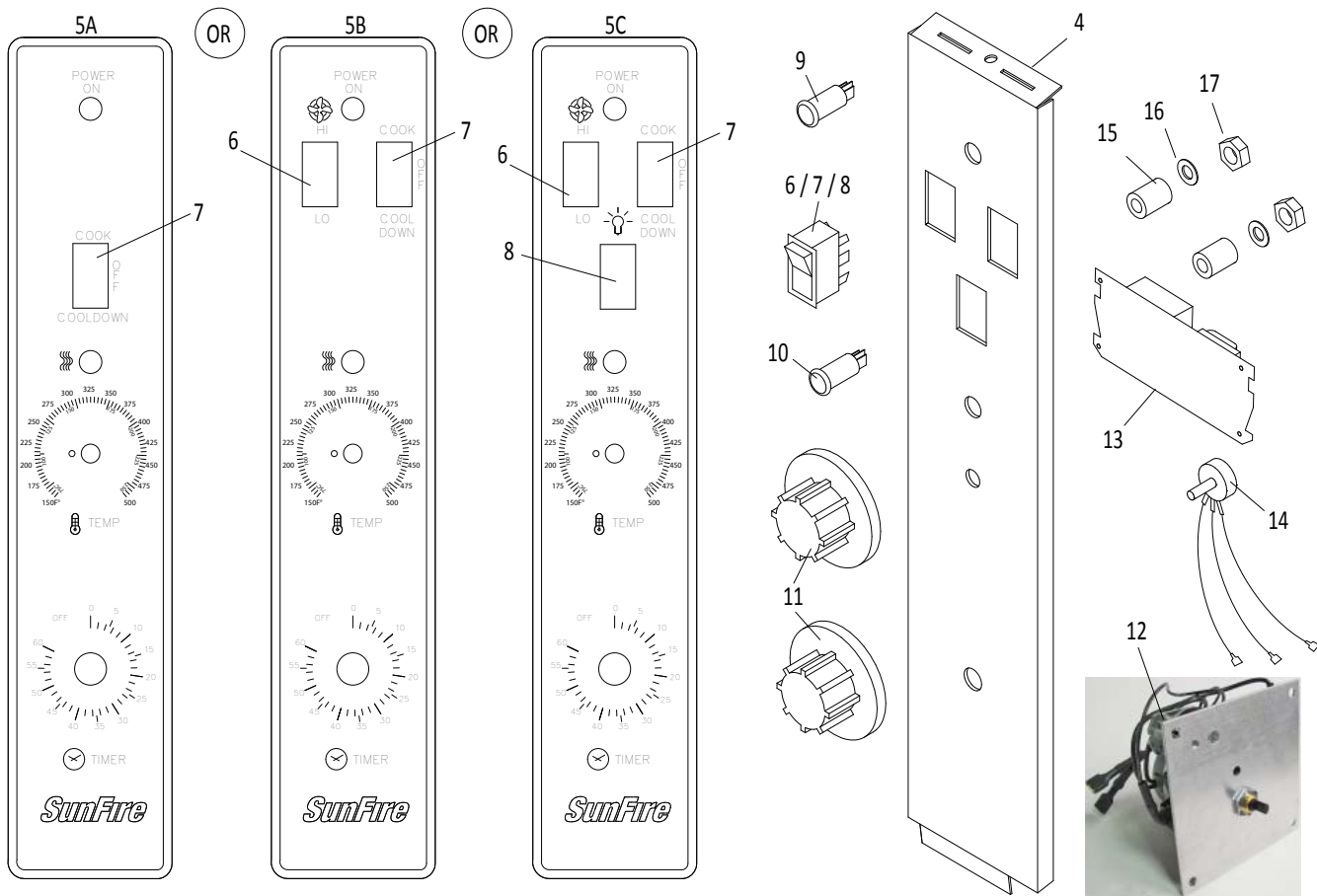
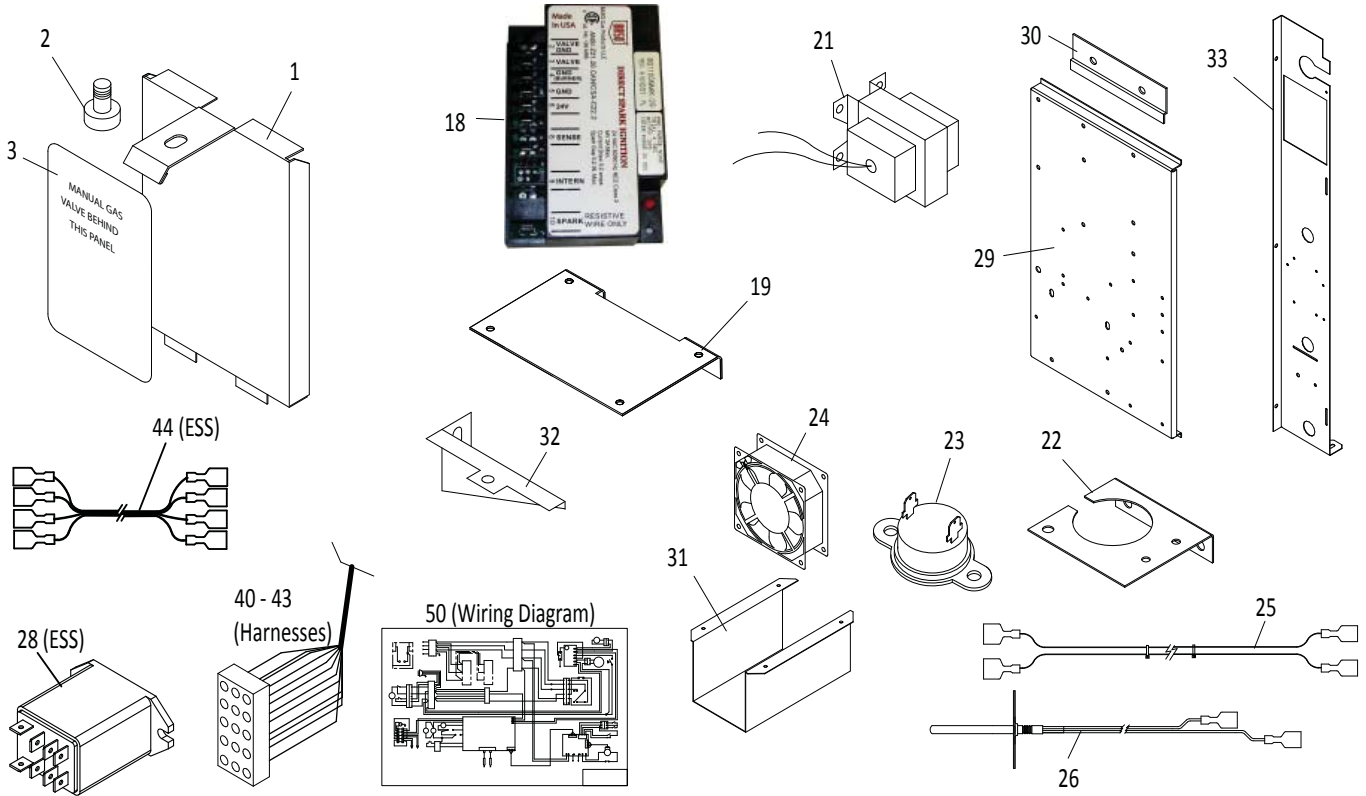
Serial# - Year/Month Information

The Serial Number is **13 Digits** long and is stamped on the Rating Plate.
See "Rating Plate Location".



Contents

Rating Plate Location / Model & Serial Number Information	2
Control Panel & Components.....	4
Burner Package.....	6
Door Components & Assemblies.....	8
Oven Components.....	12
Main Exterior Components.....	14
Wiring Diagram	16
Kits — Gas Conversion	16
Kits — Single & Double Deck Kits (Open Base, Legs & Casters)	16
Kits — Ventilation.....	16
Related Bulletins.....	16
Revision History	17



Manual Control Panel & Components - Gas

Garland Sunfire Series Gas Convection Ovens
standard models **SCO-GS-10S, SCO-GS-20S**
energy star models **SCOGS10ESS, SCOGS20ESS**

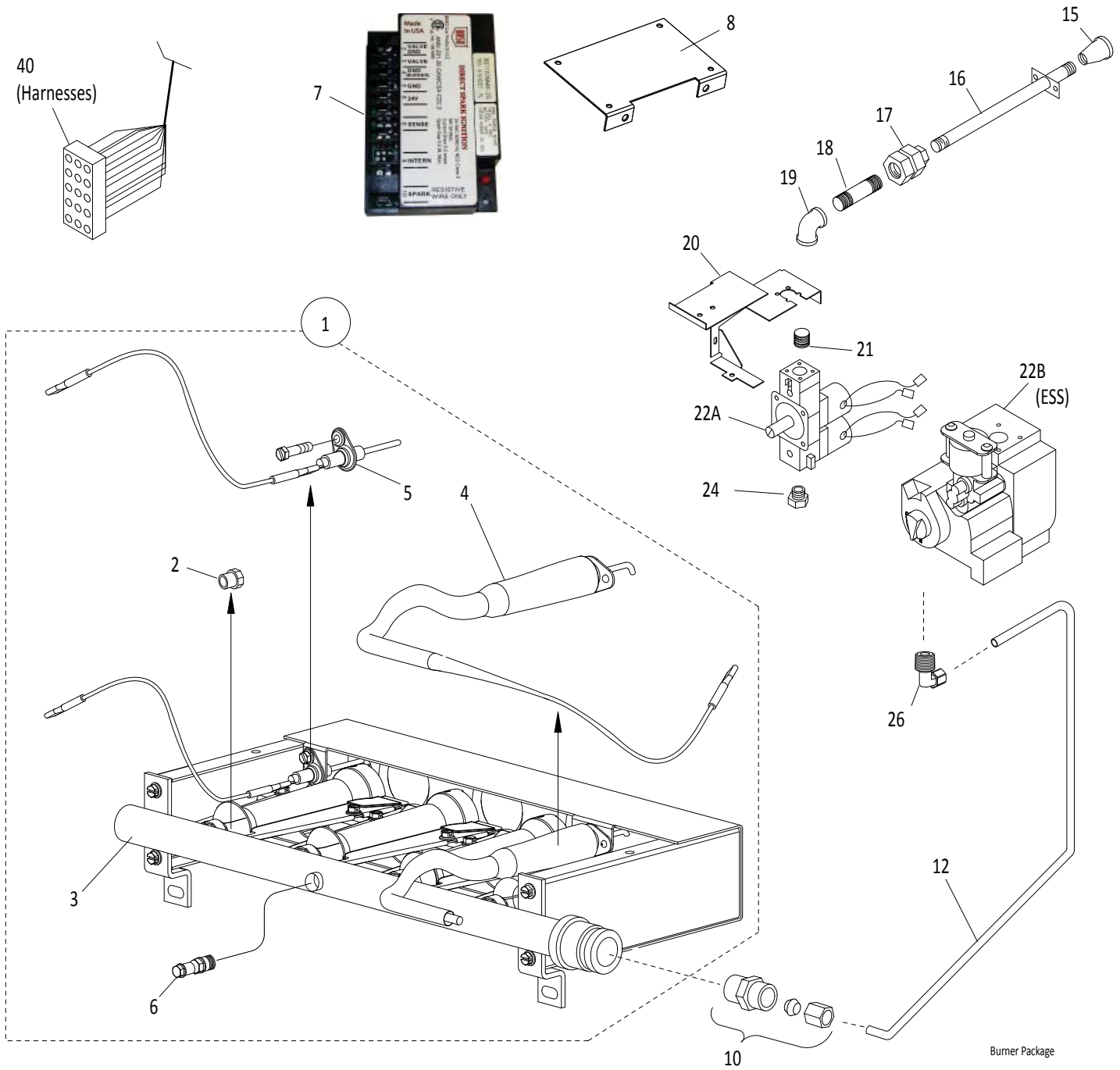
CONTROL PANEL & COMPONENTS

ITEM	PART #	DESCRIPTION	STD -S	ENERGY STAR -ESS	CRITICAL
1	1918501	Cover - Upper Control Panel, SS	1	1	
2	GF297	#10-24 x 1/2" Slotted Thumb Screw / Knurled Screw	1	1	
3	115268	Overlay - Top Control Panel, Gas	1	1	
4	CK1946690	Control Panel Assembly - IM200	1	1	
5A	115266	Overlay - SCO, 1-Speed, No Light (Std Feature on SCO-GS-10S)	1	-	
5B	115265	Overlay - SCO, 2-Speed, No Light	1	-	
5C	115264	Overlay - SCO, 2-Speed, With Oven Light (Std Feature on SCOGS10ESS)	1	1	
6	1955402	Rocker Switch - 2 Positions, Hi/Low, 2-Speed	1	1	
7	1955401	Rocker Switch - 3 Positions, Cook/Off/CoolDown	1	1	C
8	1955403	Momentary Rocker Switch (Oven Light Option)	1	1	
9	1936101	Indicator Lamp - Green, 120V for 115V-Unit	1	1	
10	1936103	Indicator Lamp - Amber 28V	1	1	
11	1765802	Fluted Knob with two Set Screws	2	2	
12	1956001	Timer - 1 Hour, with Alarm, 50/60Hz, 115V	1	1	C
13	300867	Manual Control Controller (Thermostat) - Solid State, 150-500 deg F (Ref: 1955501, bulletin - GAR-03-12-AIC)	1	1	C
14	1955601	Potentiometer	1	1	C
15	1955701	Nylon Standoff - 1/4 x 1/2 x 1	2	2	
16	1955801	Teflon Washer - 7/16 OD	2	2	
17	8001502	Nut with Lockwasher - 6-32 KEP, Zinc	6	6	
18	4521585	DSI Ignition Module	1	1	C
19	4522605	Bracket - DSI Ignition Module	1	1	
21	1269899	Transformer, Class 2, 120V to 24V w/Insulated Slipon Terminal	1	1	C
22	4519862	Bracket - Wireway Hi Limit	1	1	
23	1955101	Switch - Thermal Disc, Cooling	1	1	C
24	1671100	Polar Fan 115V Note: For Fan Installation, refer to Service Bulletin B-97-2009-S.	1	1	C
25	1906003	Cable Assembly - Probe Extension (USE ONLY WITH 1906002)	1	1	C
26	1906002	Probe - RTD, Flange Mount (USE ONLY WITH 1906003)	1	1	C
28	105966	Relay, 120V, 50/60Hz, AC, ESS	-	1	
29	4528498	Bracket - Ignition Control	1	1	
30	1911301	Relay Bracket Slide	2	2	
31	1918001	Air Exhaust Duct	1	1	
32	1918902	Bracket - Upper Control Panel Mounting	1	1	
33	1926001	Panel - Right Side, Mid	1	1	
40*	1949599	Wire Harness - 115V 60HZ Gas	1	1	
41*	1949576	Wire Harness - Mechanical Control Panel	1	1	
42*	1949579	Wire Harness - Lights	1	1	
43*	1936095	Wire Harness - Ignition Module (IPI/DSI)	1	1	
44	300829	Wire Harness - Two-Stage Gas Valve, ESS only	-	1	
50*	300876	Wiring Diagram - 115V 60Hz, Gas, Mechanical Control Note: Part# provided for reference only. Please contact KitchenCare for assistance.	1	-	
	300830	Wiring Diagram - 115V 60Hz, Gas, mechanical Control, ESS Note: Part# provided for reference only. Please contact KitchenCare for assistance.	-	1	

* NOT ILLUSTRATED

RECOMMENDED STOCK PARTS

BURNER PACKAGE



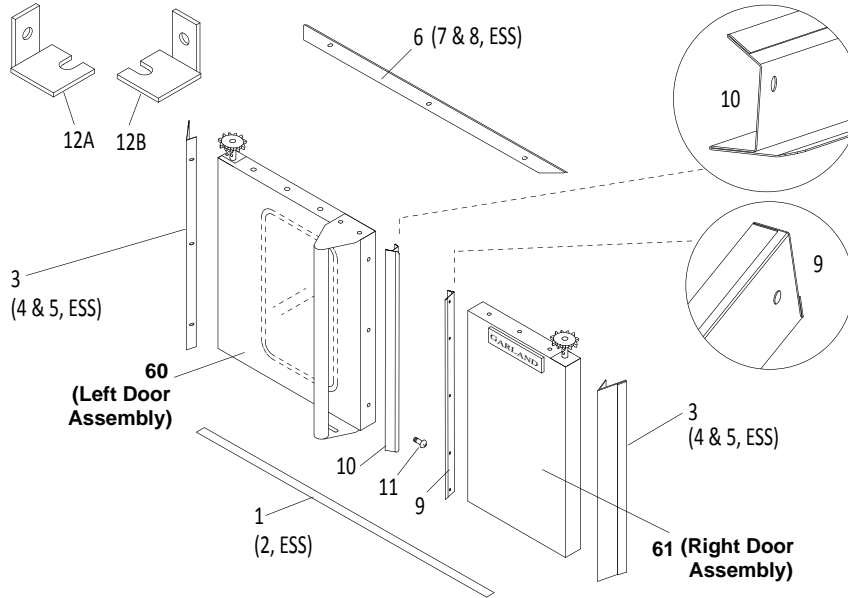
Garland Sunfire Series Gas Convection Ovens
standard models **SCO-GS-10S, SCO-GS-20S**
energy star models **SCOGS10ESS, SCOGS20ESS**

BURNER PACKAGE

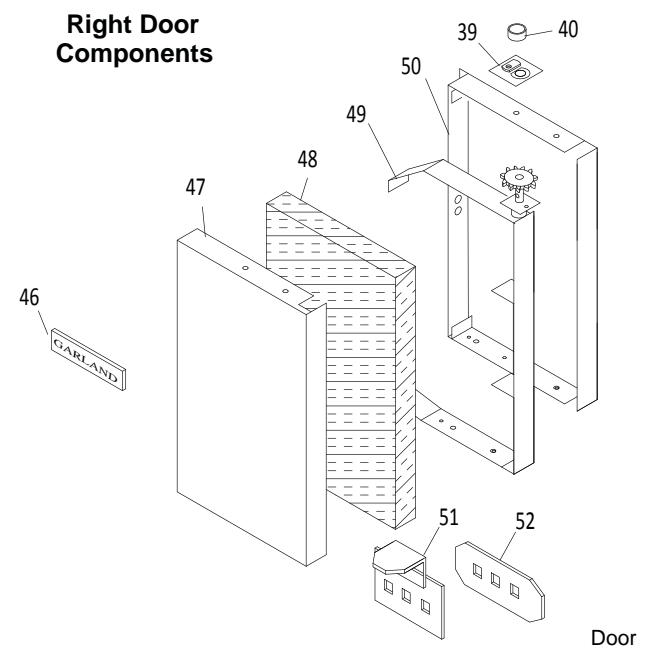
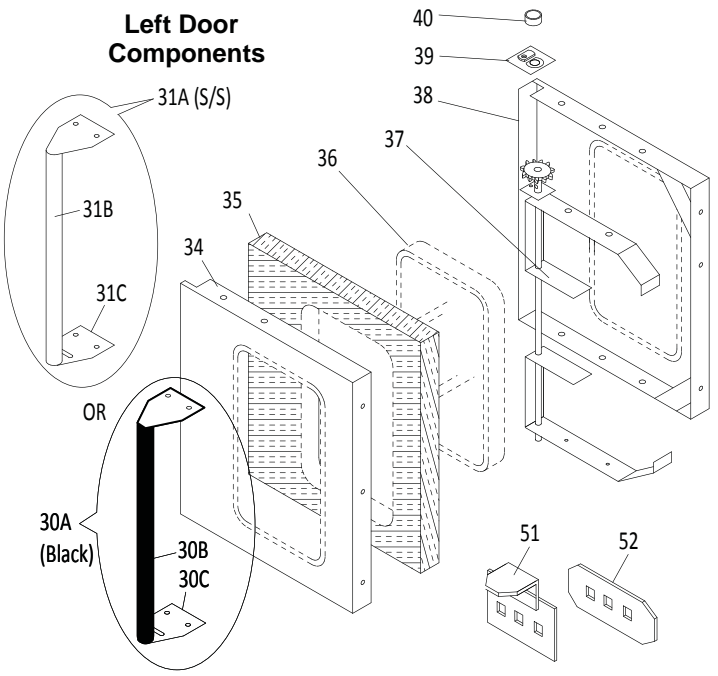
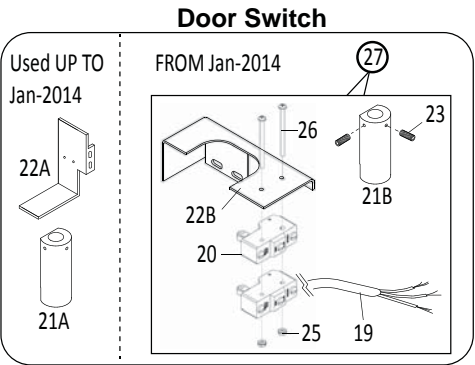
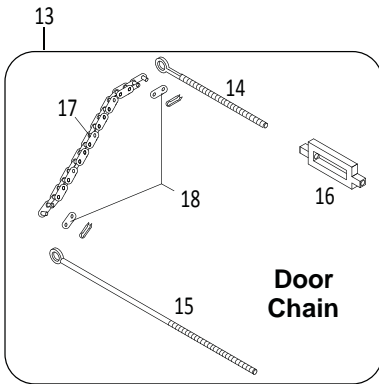
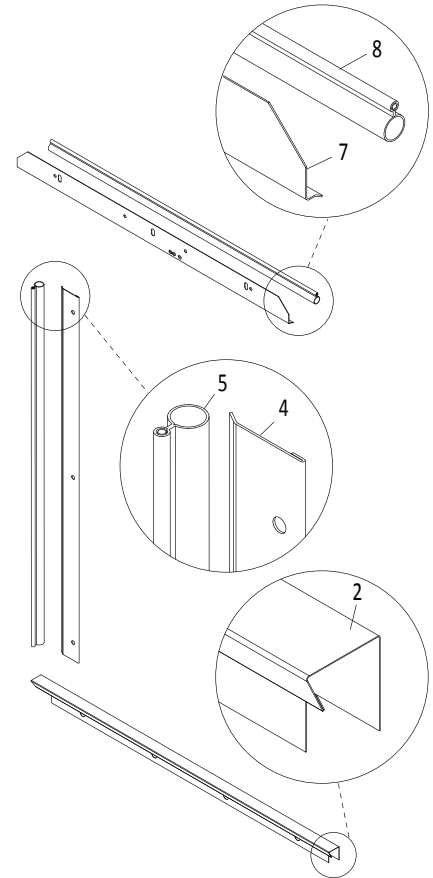
ITEM	PART #	DESCRIPTION	STD -S	ENERGY STAR -ESS	CRITICAL
1	113801	Brner Pack Assembly - DSI, 53K, Natural , Above Sea-Level: 0 - 2999 Ft	1	1	
	113802	Brner Pack Assembly - DSI, 53K, Natural , Above Sea-Level: 3000 - 6999 Ft	1	1	
	113803	Brner Pack Assembly - DSI, 53K, Natural , Above Sea-Level: 7000 - 9999 Ft	1	1	
	113804	Brner Pack Assembly - DSI, 53K, Propane , Above Sea-Level: 0 - 1999 Ft	1	-	
	113805	Brner Pack Assembly - DSI, 53K, Propane , Above Sea-Level: 2000 - 2999 Ft	1	-	
	113806	Brner Pack Assembly - DSI, 53K, Propane , Above Sea-Level: 3000 - 4999 Ft	1	-	
	113807	Brner Pack Assembly - DSI, 53K, Propane , Above Sea-Level: 5000 - 6999 Ft	1	-	
2	4521466-05	Orifice - DSI, #51, Natural , Above Sea-Level: 0 - 2999 Ft	4	1	
	4521466-52	Orifice - DSI, #52, Natural , Above Sea-Level: 3000 - 6999 Ft	4	1	
	4521466-53	Orifice - DSI, #53, Natural , Above Sea-Level: 7000 - 9999 Ft	4	1	
	4521466-57	Orifice - DSI, #57, Propane , Above Sea-Level: 0 - 1999 Ft	4	-	
	4521466-58	Orifice - DSI, #58, Propane , Above Sea-Level: 2000 - 2999 Ft	4	-	
	4521466-09	Orifice - DSI, #59, Propane , Above Sea-Level: 3000 - 4999 Ft	4	-	
	4521466-60	Orifice - DSI, #60, Propane , Above Sea-Level: 5000 - 6999 Ft	4	-	
3	1916101	Manifold Pipe (x1) NO LONGER AVAILABLE	NLA	-	
4	4523414	Ignitor - DSI Burner Pack	1	1	C
5	4523415	Flame Sensor - DSI Burner Pack	1	1	C
6	02251-1	Pressure Test Spigot (x1) NO LONGER AVAILABLE	NLA	-	
7	4521585	DSI Ignition Module	1	1	C
8	4522605	Bracket - DSI Ignition Module	1	1	
10	1095499	Straight Connector Assembly - 3/8 NPT x 7/16 CC (Includes Nut & Ferrule)	1	1	
12	1934308	Tubing - Gas Valve to Manifold	1	1	
15	1004849	Bell Reducer - 3/4 to 1/2 NPT	1	1	
16	1916102	Tailpipe - Standard/Deep Depth	1	1	
17	21302	Union - 1/2" NPT, Black	1	1	
18	14332	Nipple - 1/2" NPT x 3", Black	1	1	
19	05249	1/2" NPT x 90 Degree Elbow	1	1	
20	CK1918999	Bracket, Gas Valve Mount	1	1	
21	14323	Close Nipple - 1/2" NPT x 1" Long	1	1	
22A	1935701	Gas Valve - Natural Gas, Dual w/ Shut 4"	1	-	C
	1935702	Gas Valve - Propane Gas, Dual w/ Shut 10"	1	-	C
22B	300828	Gas Valve - 2 Stage - Natural Gas (Energy Star)	-	1	C
24	02558	Hex Bushing 1/2 x 3/8 NPT Black	1	1	
26	1027499	90 deg. Male Connector Assembly 7/16 CC x 3/8 NPT (includes a 7/16 CC Nut and a 7/16 CC Ferrule)	1	1	
27*	2203400	1/8 NPT Hex Plug, Counter Sunk, Steel (Ref. 1007300)	1	-	
40*	1936095	Wire Harness - Ignition Module (IPI/DSI)	1	1	

* NOT ILLUSTRATED

RECOMMENDED STOCK PARTS



For Energy Star Models (ESS)



Door

Garland Sunfire Series Gas Convection Ovens
standard models **SCO-GS-10S, SCO-GS-20S**
energy star models **SCOGS10ESS, SCOGS20ESS**

DOOR COMPONENTS & ASSEMBLIES

ITEM	PART #	DESCRIPTION	STD -S	ENERGY STAR -ESS	CRITICAL
1	1924712	<i>Seal - Door, Bottom</i>	1	-	
2	113548	<i>Bracket, Door Gasket Seal, Bottom</i>	-	1	
3	1924601	<i>Seal - Door, Left & Right</i>	2	-	
4	113546	<i>Bracket, Door Gasket, Left & Right</i>	-	2	
5	113543	<i>Gasket, Door Seal, Left & Right</i>	-	2	
6	1924711	<i>Seal - Door Top</i>	1	-	
7	1304202	<i>Top / Bottom Door Seal</i>	-	1	
8	113542	<i>Gasket - Door Seal Top</i>	-	1	
9	1924411	<i>Center - Right Door Seal</i>	1	1	
10	1924412	<i>Center - Left Door Seal</i>	1	1	
10A*	113858	<i>Center - Left Door Seal (Not Shown, Prison Package Only, Window or Solid Door)</i>	1	1	
11	8003123	<i>Mscr - TH - Phil 10-24 x 5/8" Stl ZP</i>	6	6	
12A	1925013	Bracket - Door Stop L/H	1	1	
12B	4519740	Bracket - Door Stop R/H	1	1	
DOOR CHAIN COMPONENTS					
13	4520166	Door Chain Assembly Note: Includes Items 14-18.	2	2	C
14	1014201	Connecting Door Rod - Short Note: Item listed for reference only. Not Sold Separately.	2	2	
15	1014200	Connecting Door Rod - Long Note: Item listed for reference only. Not Sold Separately.	2	2	
16	1015000	Turnbuckle 1/4-20 with 4" Take Up. Not Sold Separately	2	2	
17	1021100	Roller Chain #40	2	2	
18	1021299	Connecting Link #40	4	4	
DOOR SWITCH COMPONENTS					
19	1949575	Wire Harness - Door Micro Switch, Mechanical Control.	1	1	
20	4519715	Door Micro Switch - High Temp, High Current, for Mechanical Control	2	2	C
21A	1925101	Cam - Door Switch. Obsolete. Used UP TO Jan-2014. Use item 27.	1	-	
21B	115338	Cam Assembly - Door Switch (Installed on any unit built after Jan-2014, serial# 1401 2300 01225. Can be used to replace item# 21A(1925101)).	1	1	
22A	1925001	Bracket Door Switch Right. Obsolete. Used UP TO Jan-2014. Use item 27.	1	-	
22B	114179	Bracket Door Switch (Installed on any unit built after Jan-2014, serial# 1401 2300 01225)	1	1	
23	8003802	10-24 x 3/8", Set Screw	2	2	
25	8001502	6-32 KEP Nut w/ Washer, Zinc Plated	2	2	
26	8003208	6-32 x 2" Machine Screw, PH, Steel, Zinc Plated	2	2	
27	115346	Kit, Door Switch, Mechanical Control • For any unit built BEFORE Jan-2014, serial# 1401 2300 01225. • Kit includes items 19, 20, 21B, 22B. Ref: Bulletin# GAR-04-14-AC.	1	1	
28*	1028800	1" dia. Snap Bushing	4	4	

* NOT ILLUSTRATED

RECOMMENDED STOCK PARTS

Garland Sunfire Series Gas Convection Ovens
standard models **SCO-GS-10S, SCO-GS-20S**
energy star models **SCOGS10ESS, SCOGS20ESS**

DOOR COMPONENTS & ASSEMBLIES

ITEM	PART #	DESCRIPTION	STD -S	ENERGY STAR -ESS	CRITICAL
LEFT (Solid / Window Option) & RIGHT DOOR (Solid Only) COMPONENTS Maximum Security Prison Package Hardware/Fasteners for Left/Right Door: Items 51-53					
30A	CK1924396	Door Handle Assembly - Black (Prison Package) Note: <ul style="list-style-type: none"> • Prison Package • COMPLETE Handle Assembly is interchangeable with the S/S version (item 31A). Individual parts not interchangeable. • Includes items 30B, 30C, 30D. 	1	1	
30B	1924195	Handle Tube Assembly (Handle Tube and Connectors) - Prison Package	1	1	
30C	1924206	Plate - Door Handle, Prison Package	2	2	
30D*	8003605	1/4-20 x 1" Carriage Bolt, Black, Prison Package	2	2	
31A	CK113797	Door Handle Assembly - S/S Note: <ul style="list-style-type: none"> • Standard Feature • COMPLETE Handle Assembly is interchangeable with the black version (item 30A). • Includes items 31B, 31C, 31D. 	1	1	
31B	113798	Handle Tube (Handle Tube and Connectors)	1	1	
31C	113800	Plate - Door Handle	2	2	
31D*	111273	1/4-20 x 3/4" Carriage Bolt, Round Head, Square Neck	2	2	
34	1924001	Panel - Left Door (Solid)	1	2	
	1924002	Panel - Left Door (Window Option)	1	1	
	1924007	Panel - Left Door (Solid - Prison Package)	1	1	
	1924011	Panel - Left Door (Window Option - Prison Package)	1	1	
35	113862	Insulation - Left Door (Window Option)	1	1	
	113863	Insulation - Left Door (Solid)	1	1	
36	1010999	Oven Door Window - 3/16" Glass (Window Option)	1	1	
37	4520373	Weld Assembly Frame Left Door Extended Bearing Plate	1	1	
38	CK1923997	Panel - Left Door Liner (Window Option)	1	1	
	1923902	Panel - Left Door Liner (Window - Prison)	1	1	
	CK1923996	Panel - Left Door Liner (Solid)	1	1	
39	4520301	Plate - Door Bushing Extended	2	2	
40	1923201	Spacer - Door Hinge	2	2	
46	4529724	Logo, Garland, Std, Large (for non-prison door)	1	1	
47	113794	Panel - Right Door (Solid, no Garland Logo)	1	-	
	1924003	Panel - Right Door (Solid)	1	1	
48	113865	Insulation - Right Door (Solid)	1	1	
49	4520374	Weld Assembly Frame Right Door Extended Bearing Plate	1	1	
50	1923998	Panel - Right Door Liner (Solid)	1	1	
51	1925099	Door Hasp Bracket Weldment Assembly (Prison, Left / Right Door)	1	1	
52	1925009	Plate - Door Hasp Back (Prison, Left / Right Door)	1	1	
53*	8003603	3/8-16 x 3/4 Carriage Bolt (Prison, Left / Right Door)	3	3	
	8001210	3/8-16 Hex Nut Stl Zinc (Prison, Left / Right Door)	3	3	
	8000308	3/8 x 3/4 Flat Washer Stl Zinc (Prison, Left / Right Door)	3	3	
	8000207	3/8 x 11/64 x 3/32 Split Lock Washer, Stl Zinc (Prison, Left / Right Door)	3	3	

* NOT ILLUSTRATED

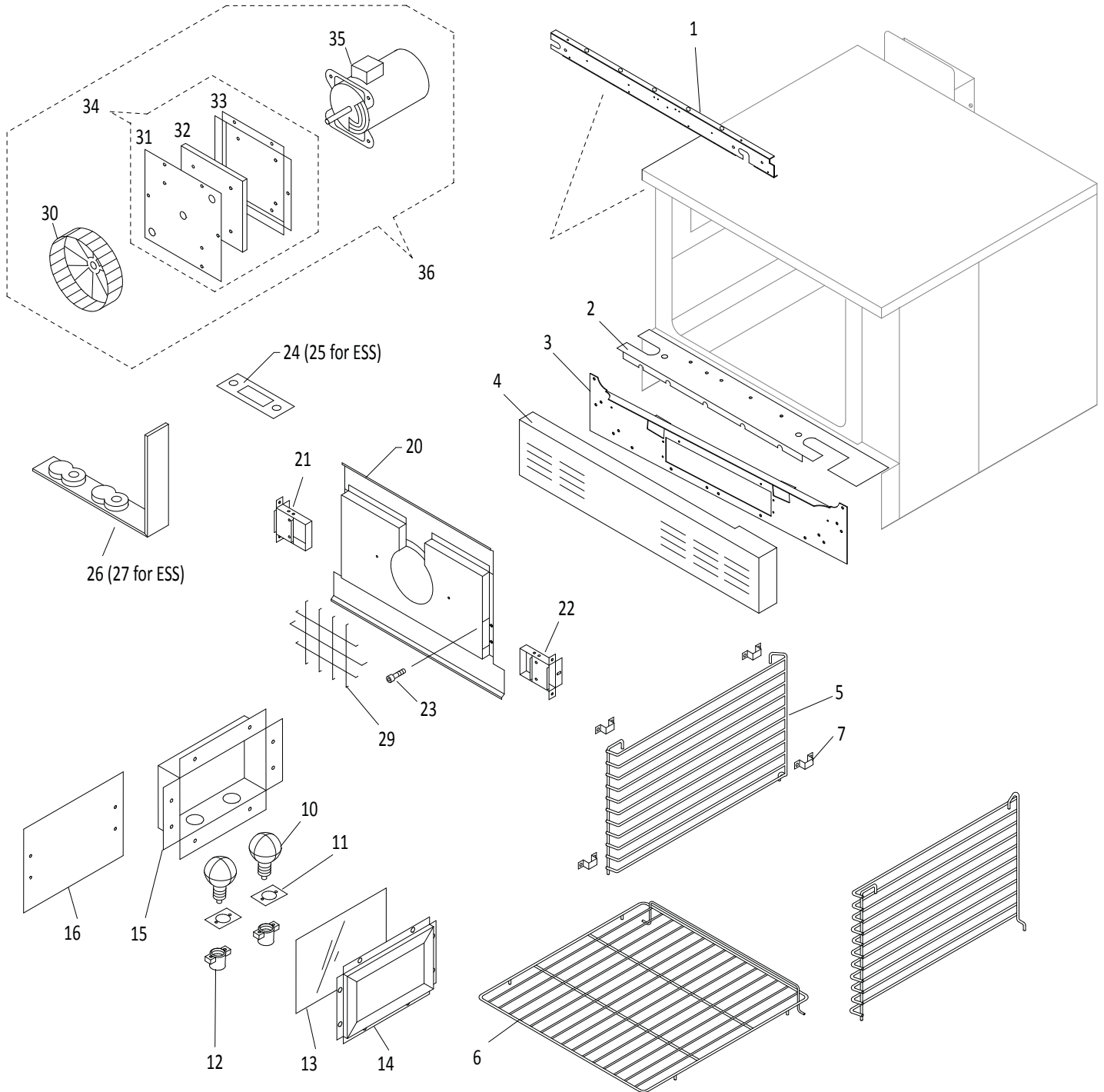
RECOMMENDED STOCK PARTS

Garland Sunfire Series Gas Convection Ovens
standard models **SCO-GS-10S, SCO-GS-20S**
energy star models **SCOGS10ESS, SCOGS20ESS**

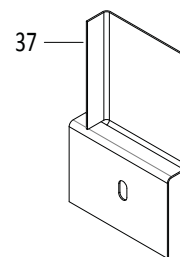
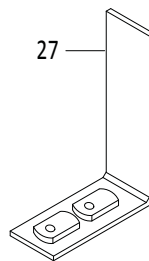
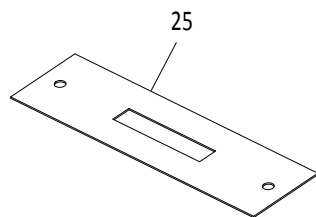
DOOR COMPLETE ASSEMBLIES

ITEM	PART #	DESCRIPTION
LEFT DOOR - COMPLETE ASSEMBLIES (includes Left Door Components and Left Door Center Seal)		
60	STANDARD DOOR (S/S HANDLE)	
	CK113796	SCO Complete Door Assembly - Left (WINDOW Option)
	CK113795	SCO Complete Door Assembly - Left (SOLID)
	PRISON DOOR (BLACK HANDLE)	
	4520317	SCO Complete Door Kit - Left (PRISON - WINDOW)
	4520315	SCO Complete Door Kit - Left (PRISON - SOLID)
RIGHT DOOR - COMPLETE ASSEMBLY (includes Right Door Components and Right Door Center Seal)		
61	STANDARD DOOR	
	CK113793	SCO Complete Door Assembly - Right (SOLID, No Garland Nameplate)
	4520314	SCO Complete Door Assembly - Right (SOLID, with Garland Nameplate)
	PRISON DOOR	
	4520316	SCO Complete Door Kit - Right (PRISON - SOLID, No Nameplate)

* NOT ILLUSTRATED
RECOMMENDED STOCK PARTS



**For Energy Star Models
 (ESS)**



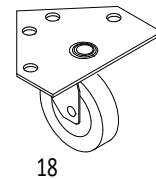
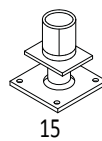
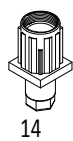
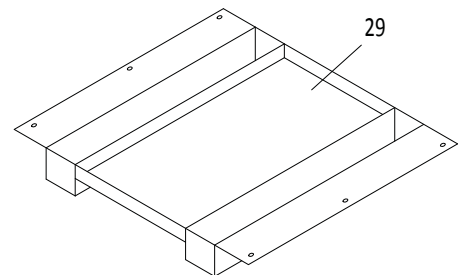
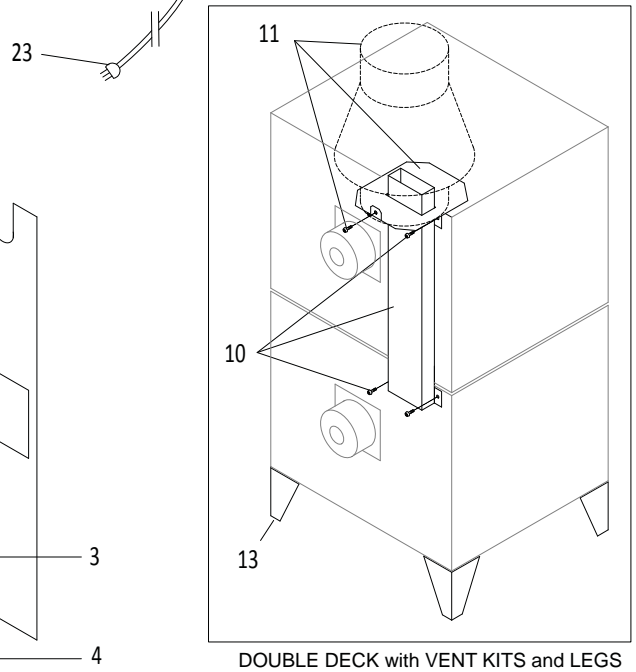
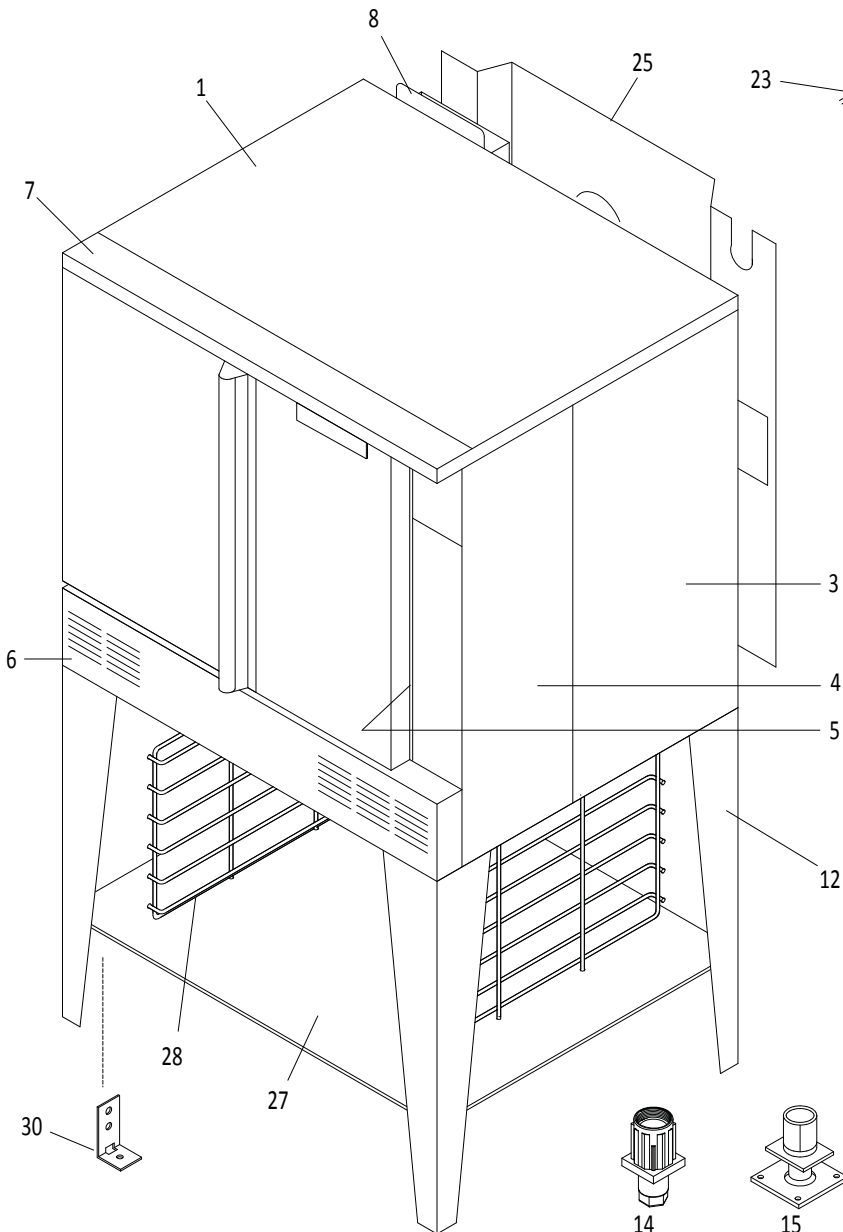
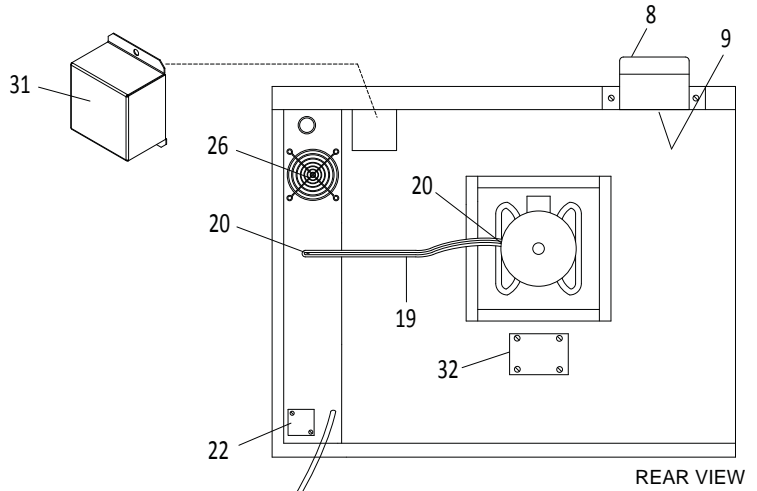
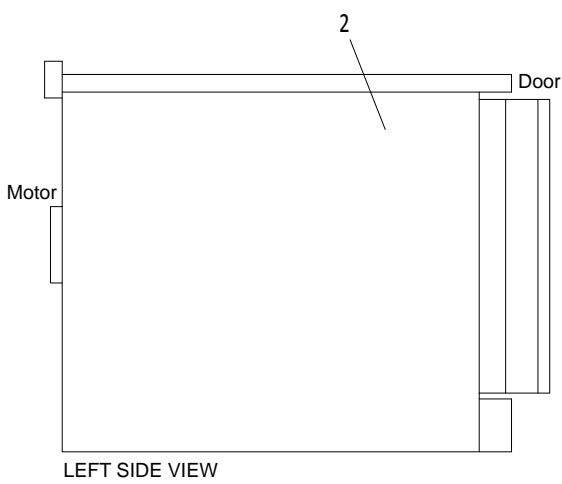
Garland Sunfire Series Gas Convection Ovens
standard models **SCO-GS-10S, SCO-GS-20S**
energy star models **SCOGS10ESS, SCOGS20ESS**

OVEN COMPONENTS

ITEM	PART #	DESCRIPTION	STD -S	ENERGY STAR -ESS	CRITICAL
1	1925201	Channel - Upper Hinge	1	1	
2	1925202	Channel - Lower Hinge	1	1	
3	1915401	Cover - Burner Box Front	1	1	
4	113792	Cover - Lower Front Trim Obsolete	OBS	-	
	CK4519724	Cover - Lower Front Trim	1	1	
5	1922001	Oven Rack Guide - 10 Positions, Standard	2	-	
	115545	Oven Rack Guide - 11 Positions, ESS	-	2	
6	1922211	Oven Rack - Standard	5	6	
7	1765212	Oven Rack Clip	8	8	
10	1623900	Light Bulb - 40W	2	2	
11	1025900	Light Socket Gasket	2	2	
12	1025800	Lamp Socket - Porcelain	2	2	
13	1676901	Glass, High Temp	1	1	
14	1921801	Cover, Light Box	1	1	
15	1921902	Light Box	1	1	
16	1928299	Plate, Light Box Patch - Porcelain (No Oven Lights)	1	-	
20	1802999	Fan Cover	1	1	
21	CK1782599	Fan Cover Duct, Left	1	1	
22	CK1782598	Fan Cover Duct, Right	1	1	
23	8004005	1/4-20 x 3/8" Allen Head Screws	4	4	
24	1784302	Oven Vent Cap - 60K BTU	1	-	
25	113386	Oven Vent Cap - 60K BTU Energy Star	-	1	
26	1785998	Fan Duct Restrictor - 60K BTU	1	-	
27	113385	Fan Duct Restrictor, Energy Star	-	1	
29	G02904-01P	Blower Inlet Cover	1	1	
30	G02952-01P	Blower Wheel Assembly Plated	1	1	
31	1916401	Plate, Motor Pocket Front	1	1	
32	1915921	Insulation - Motor Pocket	1	1	
33	1916402	Motor Pocket Back	1	1	
34	CK1916499	Motor Pocket Assembly	1	1	
35	1686711	Motor 3/4 HP, 115V, 2 Speed (for both 1-speed and 2-speed fan controls)	1	1	
36	CK1003090	Motor Assembly - 2 Speed 115V (incl. items 30, 34, 35)	1	1	C
37	113532	Diverter Bracket, Energy Star	-	1	
42*	113361	Insulation Kit - Standard Depth Oven	1	1	
43*	115074	Drip Pan, Standard Depth Oven	1	1	

* NOT ILLUSTRATED

RECOMMENDED STOCK PARTS



Garland Sunfire Series Gas Convection Ovens
standard models **SCO-GS-10S, SCO-GS-20S**
energy star models **SCOGS10ESS, SCOGS20ESS**

MAIN EXTERIOR COMPONENTS

ITEM	PART #	DESCRIPTION	STD -S	ENERGY STAR -ESS	CRITICAL
1	1917602	Cover - Main Top, SS	1	1	
2	1920201	Cover - Body Side, Left, SS	1	1	
3	1918701	Cover - Body Side, Right, SS	1	1	
4	1925901	Cover - Control Panel, Right, SS	1	1	
	1925999	Cover - Control Panel, Right, Prison Pack	1	1	
5	1925801	Cover - Control Panel, Left, SS	1	1	
	1925899	Cover - Lockable Control Panel, Prison Pack	1	1	
6	113792	Cover - Lower Front Trim, SS, Sunfire - OBSOLETE			
	CK4519724	Cover - Lower Front Trim, SS	1	1	
6A*	8003107	#10-24 x 3/4" Machine Screw-Th-Phl (for Lower Front Trim Cover)			
7	1925301	Cover - Upper Front Trim, SS	1	1	
7A*	8002107	#10 x 1/2" Machine Screw-Th-Phl-B Stl 2P (for Upper Front Trim Cover)			
8	1919999	Vent Assembly - Outer	1	1	
9	1919399	Vent Assembly - Standard	1	1	
10	CK1920099	Flue Assembly for Double Deck Note: Kit includes sheet metal flue channels (part# 1920001 , 1920002) and fasteners (8002106).	1	1	
11	1951217	Direct Vent Kit (Option for single or double deck) Note: Kit includes Flue Adapter Plate (1953001), Direct Vent Bell (1190100), and fasteners (8002108).	1	1	
12	1927199	Leg - Single Deck, SS, for Casters, approx. 19-3/4"	4	4	
	CK1927197	Leg - Single Deck, SS, for Foot Inserts, approx. 24"	4	4	
13	1927195	Leg - Double Deck, SS	4	4	
14	1236100	1-1/2" Square Foot Insert - Chrome Plated	4	4	
15	1949701	Flanged Foot Insert (Optional Feature)	4	4	
16	1775102	Caster Insert (Single Deck Only)	4	4	
17	1926501	Caster - 4" Swivel NO Brake 3/4NPT	2	2	
	1926502	Caster - 4" Swivel WITH Brake 3/4NPT	2	2	
18	1926531	Heavy Duty Caster - 5" Swivel NO Brake, for Double Deck	2	2	
	1926532	Heavy Duty Caster - 5" Swivel WITH Brake, for Double Deck	2	2	
	4524736	Kit - Casters 3" Swivel NO Brake (low profile) Note: Kit Includes Two Casters	1	1	
	4524737	Kit - Casters 3" Swivel WITH Brake (low profile) Note: Kit Includes Two Casters	1	1	
19	1029426	3/8 BX Cable 26" Long	1	1	
20	1028501	BX Connector - Straight	2	2	
22	1928206	Plate - Line Cord Patch	1	1	
23	1029501	8' Long Power Cord (115V Gas Unit)	1	1	
25	CK1950302	Back Cover - SS, Standard Note: Includes a SS Cover Main Back Panel (1921001), a warning label, and bushing.	1	1	
	1921089	Cover W/A - Standard Depth (Prison Package)	1	1	
26	1919001	Cooling Fan Guard - 120mm	1	1	
27	1926902	Panel - Open Base, SS	1	1	
28	1926702	Rack Guide - Lower, Open Base	2	2	
29	1926802	Support - Rack Guide, Upper	1	1	
30	1927001	Clip - Lower Rack Guide Support	4	4	
31	1916301	Probe Connector Cover	1	1	
32	1928204	Plate - Element Patch	1	1	

* NOT ILLUSTRATED

RECOMMENDED STOCK PARTS

Garland Sunfire Series Gas Convection Ovens
standard models **SCO-GS-10S, SCO-GS-20S**
energy star models **SCOGS10ESS, SCOGS20ESS**

WIRING DIAGRAM *(For Reference Only. Please Contact KitchenCare for assistance)*

PART #	DESCRIPTION
300876	Wiring Diagram - 115V 60Hz, Gas, Mechanical Control
300830	Wiring Diagram - 115V 60Hz, Gas, Mechanical Control, ESS

KITS — GAS CONVERSION *(Please Contact KitchenCare for assistance)*
(Gas Conversion Kits Are Not Available for Energy Star Models.)

PART #	DESCRIPTION
115273	Gas Conversion Kit, SCO, 53k BTU, Natural Gas Final Config.
115274	Gas Conversion Kit, SCO, 53k BTU, Propane Gas Final Config.

The above gas conversion kits are intended for installation on models used at altitudes less than 2000ft (610m). For higher altitudes, consult KitchenCare for additional conversion requirements.

KITS — SINGLE & DOUBLE DECK KITS (OPEN BASE, LEGS & CASTERS)
(For Reference Only. Please Contact Garland Sales Department for assistance)

PART #	DESCRIPTION
1951213	Single Deck S/S Open Base & Feet Kit
1951214	Single Deck S/S Open Base & Casters
1951204	Single Deck S/S Legs & Feet Inserts
1951205	Single Deck S/S Legs and Casters
1951209	Kit MCO - Heavy Duty Casters
1951210	Kit MCO - LO-Profile Casters
1951223	Double Deck Gas W/Inserts S/S Legs
1951226	Double Deck Gas W/Casters
1951228	Double Deck Gas W/Lo Profile Casters

KITS — VENTILATION *(For Reference Only. Please Contact Garland Sales Department for assistance)*

PART #	DESCRIPTION
1951217	Direct Connect Venting Kit

RELATED BULLETINS (SCO)

BULLETIN #	SUBJECT	DATE
GAR-03-12-AIC	Master 200 Series Controller - P/N 1955501	FEB 8/12
GAR-04-14-AC	Convection Oven Door Switch Replacement Kits	FEB 14/14

REVISION HISTORY (SCO-GS)

REV	PAGE#	ITEM#	NOTES	DATE
0			New release. Ref: Unit built from (date) June/12 (serial#)1206230000100	JUN 20/12
1	13	37	Removed item 1783901	SEP 25/12
2	8-10	35, 48, 60, 61	Door insulation: 113863 replaced 1915915; 113865 replaced 1915917 . Door complete asm: new CK part numbers for ordering.	FEB 12/13
3	6	1	Removed prefix CK from part numbers.	APR 09/13
4	16		Added gas conversion kits #. Ref: CLV ECC 130115	NOV 06/13
5	5		Overlay PCC130093 New 115264 , 115265 , 115266 , 115268	FEB 27/14
	17		New bulletin	
	8	27	New door switch kits; New bracket for door switch; new CAM assemlby for door switch. PCC# 130223.	
	8	37, 49	Corrected illustration. Arms on frames are bented.	
2/15 (REV6)			New rating plate location - all models Feb 2015 New energy star models (ESS) Feb 2015 Ref. CLV PCC 140213 New maximum security package available for all models Feb 2015 Sunfire Convection Ovens are now included in the Garland Brand Sunfire Series. Model numbers unchanged. Ref Marketing Bulletin 113-060614 New drip pan.	FEB 02/15
	7		NLA parts - 1916101 , 02251-1 Standardized parts - Tailpipe part 1916199 (Std) is no longer used. 1916102 is now used.	



1-844-724-CARE • www.mtwkitchencare.com