

Sunfire Series

Gas Convection Ovens

Parts List

Models

SDG-1

SDG-2

Models listed are Out of Production.

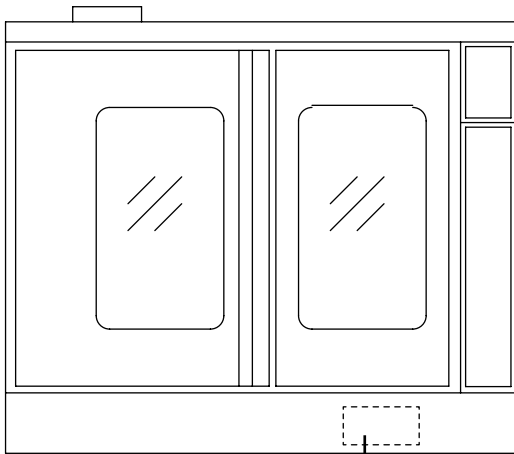
UP TO Serial # 12052300xxxxx

Date 31-May-2012

Rating Plate Location

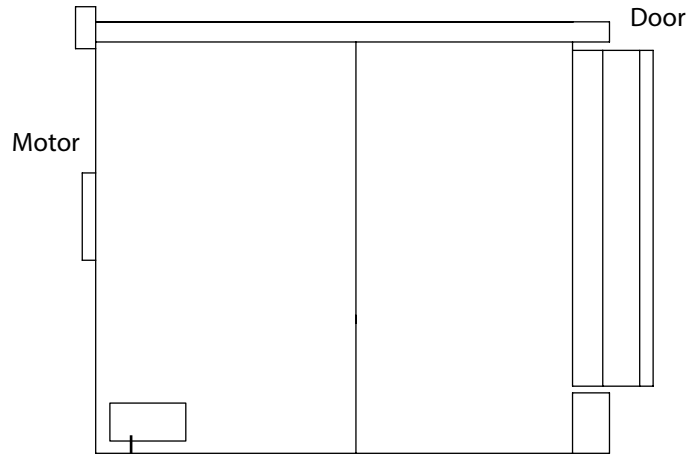
The Rating Plate (Product Identification Plate) contains important information on the unit's configuration.

Units Built **UPTO 31-MAR-2011**



Rating Plate
(On the Inside of Lower Front Cover)

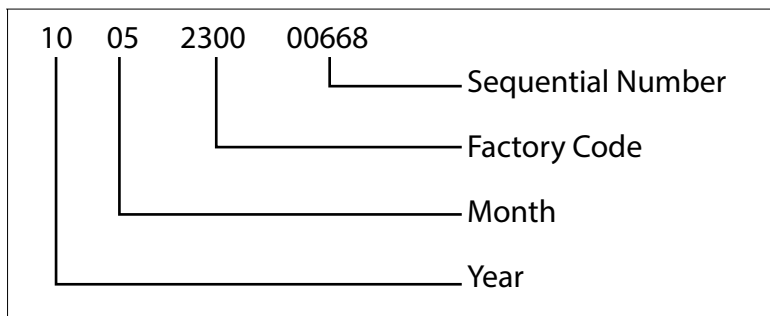
Units Built **FROM 01-APR-2011**



Rating Plate
(On the Outside of Left Body Side Panel)

Serial# (Year/Month Information)

The Serial Number is **13 Digits** long and is stamped on the Rating Plate.



Sunfire Gas Convection Ovens

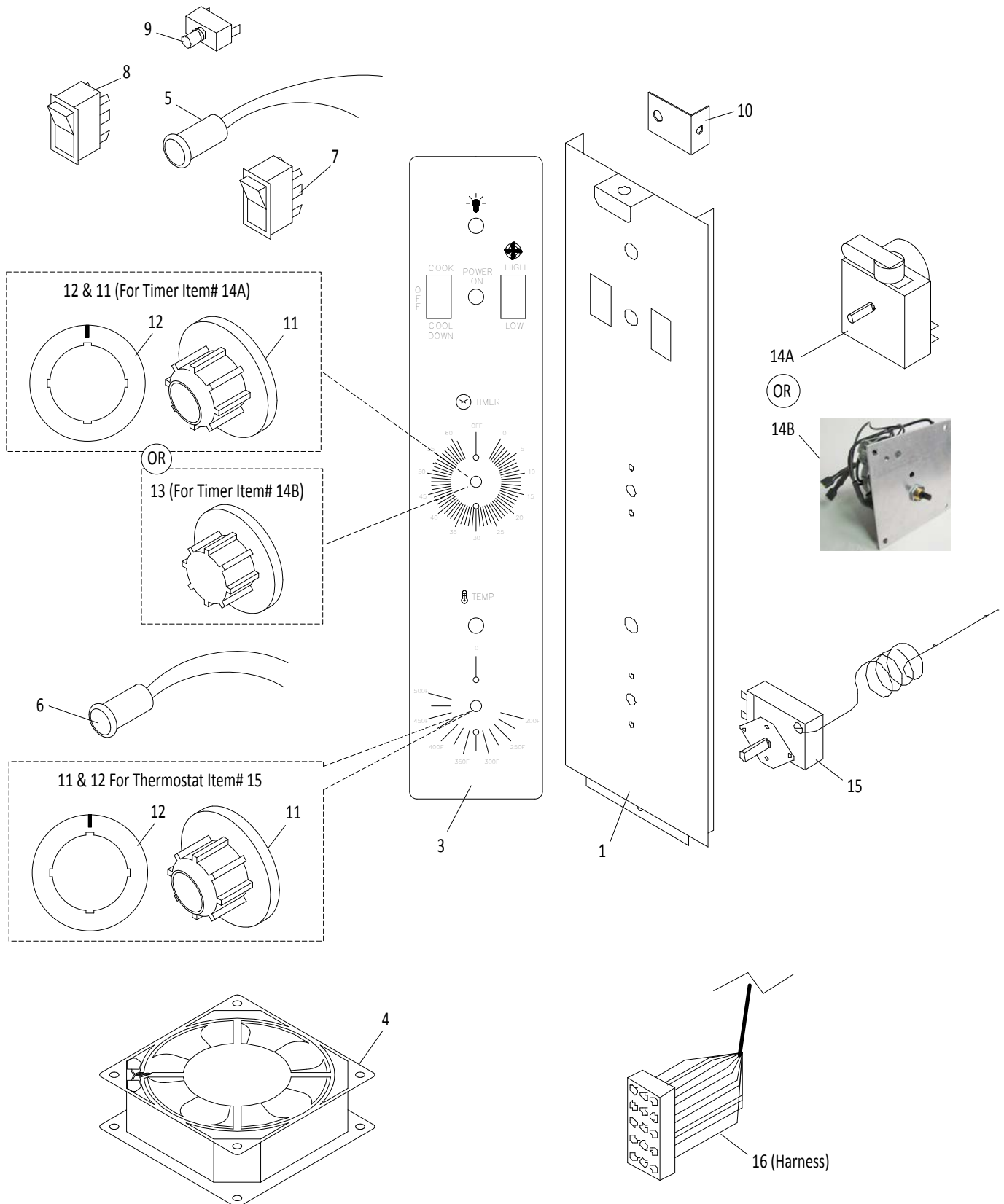
models **SDG-1, SDG-2**

UP TO

(serial#) **12052300xxxxx** (date) **31-May-12**

Table of Contents

| | |
|--|-----------|
| <i>Rating Plate Location / Serial# Interpretation</i> | 2 |
| <i>Manual Control Panel Components</i> | 4 |
| <i>Electronic Control Panel Components (IM300 Series)</i> | 6 |
| <i>Burner and Gas Line Components</i> | 8 |
| <i>Door Components & Assemblies</i> | 10 |
| <i>Main Exterior Components</i> | 16 |
| <i>List of Wiring Diagrams, Caster and Ventilatio Kits</i> | 18 |
| <i>Related Bulletins</i> | 18 |
| <i>Revision History</i> | 19 |



SUNFIRE PARTS IDENTIFICATION
Gas Convection Ovens *models* SDG-1, SDG-2

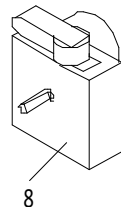
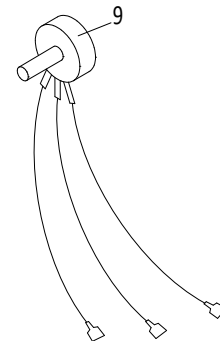
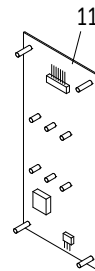
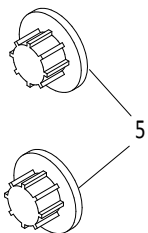
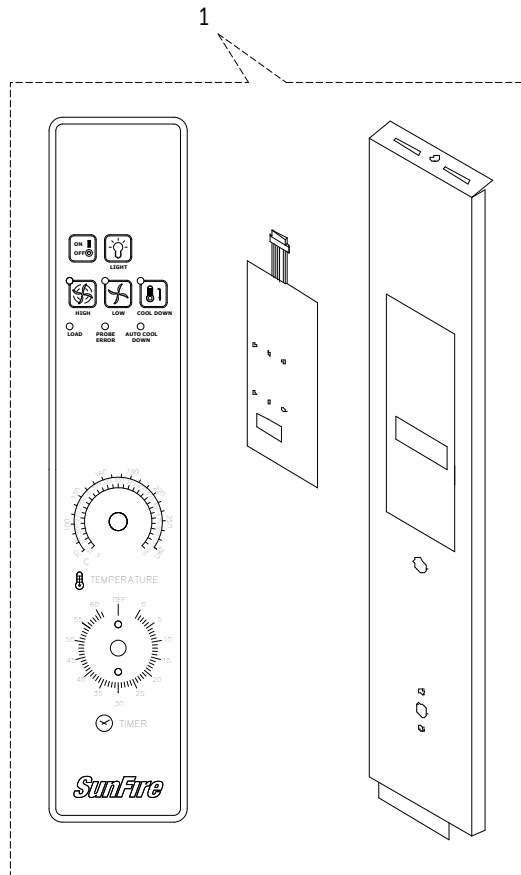
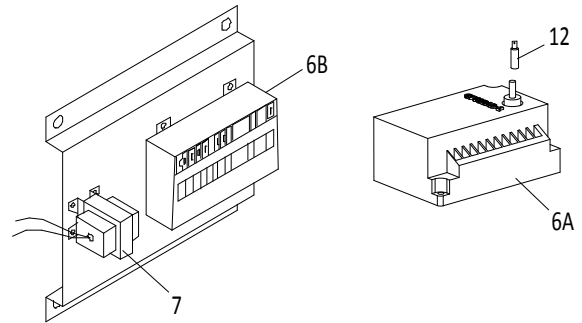
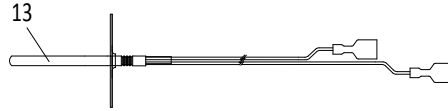
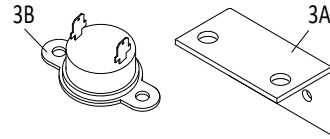
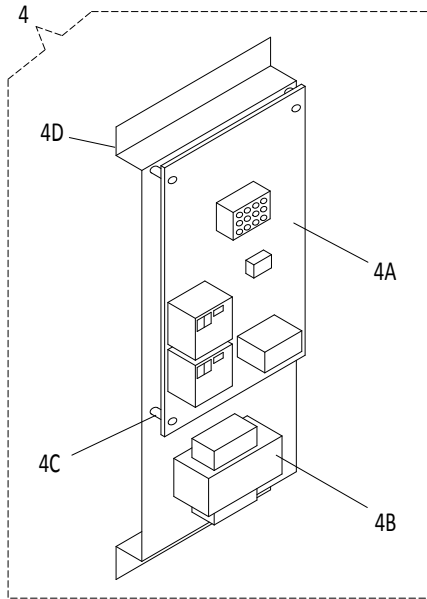
MANUAL CONTROL PANEL COMPONENTS

| ITEM | PART # | DESCRIPTION | QTY | CRITICAL |
|------|-----------|---|-----------|----------|
| 1 | 1719805 | Control Panel - S/S, Manual Note: Control Panel with P/N 1719801 is No Longer Available. | 1 | |
| 3 | 1657913 | Overlay - Manual Control, 2SP, Sunfire | 1 | |
| 4 | 1671100 | Polar Fan - 115V, 120mm | 1 | C |
| 5 | 1006489 | Pilot Light - Green, 120V | 1 | |
| 6 | 1006496 | Amber Pilot Light (115V) Note: Used UP TO December, 1987. | 1 | |
| | 1270000 | Pilot Light - Amber (28V) Note: Used FROM 6-Nov-95. | 1 | |
| 7 | 1955402 | Rocker Switch - ON/ON | 1 | C |
| 8 | 1955401 | Rocker Switch - ON/OFF/ON | 1 | C |
| 9 | 1181000 | Momentary Push Switch | 1 | C |
| 10 | 1749201 | Panel Restraining Bracket | 1 | |
| 11 | G02716-1 | Dial - Small Shaft, Universal Note: Used for the Thermostat (item 15) and the Mallory Timer (item 14A). There are two types of timers. Please check the type of timer used in the unit before ordering. | MAX. 2 | C |
| 12 | 1314121 | Dial Insert (for item 11) | MAX. 2 | |
| 13 | 1765802 | Fluted Knob (includes 2 set screws) Note: Used FROM 1-Jan-07. Required for Timer P/N 1956001 (item 14B). There are two types of timers. Please check the type of timer used in the unit before ordering. | 1 | |
| 14A | 1285700 | Mallory Timer - 1hr, 115V, 50-60Hz Note: Used UP TO 31-Dec-06. Used with the Universal Dial (item 11). | 1 | C |
| 14B | 1956001 | Timer with Alarm - 1hr, 115V Note: Used FROM 1-Jan-07. Used with the Fluted Knob (item 13). | 1 | C |
| 15 | G02902-01 | Thermostat | 1 | C |
| 16 | 4515632 | Main Harness SDG-1, 120V, Gas | 1 | |

* NOT ILLUSTRATED

RECOMMENDED STOCK PARTS

IM300 Series Control:
 Used **FROM** March-1999 **UP TO** March-2003



SUNFIRE PARTS IDENTIFICATION
Gas Convection Ovens *models* SDG-1, SDG-2

ELECTRONIC CONTROL PANEL COMPONENTS
(IM300 Series - Used FROM March-1999 UP TO March-2003)

| ITEM | PART# | DESCRIPTION | QTY | CRITICAL |
|------|---------------------------|---|-----|----------|
| 1 | CK1946693 | Control Panel Assembly Note: Assembly includes an overlay (1908517), a control panel SDG IM300 (1946693), and a Fast Control keypad (1911701). | 1 | C |
| 2 | 4515632 | Main Harness SDG-1 | 1 | |
| 3A | 1910901 | Hi-Limit Bracket | 1 | |
| 3B | 1955101 | Thermal Disc Cooling Switch | 1 | C |
| 4 | 1917099 | Relay Board Assembly - 120V | 1 | C |
| 4A | 1916901 | Relay Board | 1 | C |
| 4B | 1917199 | Transformer 120V to 24V | 1 | C |
| 4C | 1767901 | Teflon Spacers | 4 | |
| 4D | 1916801 | Relay Board Assembly Bracket | 1 | |
| 5 | 1765802 | Fluted Knob with Two Set Screws | 2 | |
| 6A | 2152700 | Spark Ignition Module Note: Item is No Longer Available. Use Kit 4529434 (item 6B). | 1 | C |
| 6B | 4529434 | Ignition Module Service Kit Note: Kit includes an ignition module (part# 4528856) and instructions. | 1 | C |
| 7 | 1269899 | Transformer, class 2, 120V-24V | 1 | C |
| 8 | 1285700 | Mallory Timer - 1Hr, 115V 50/60Hz | 1 | C |
| 9 | 1911801 | Potentiometer | 1 | C |
| 11 | 1905701 | Digital Control | 1 | C |
| 12 | 1666300 | 1/4 Space to RAJH Type Adapter | 1 | |
| 13 | 1842901 | Probe Note: Used UP TO NOV-2000. | 1 | C |
| | 1906002 | Probe Note: Used FROM NOV-2000. | 1 | C |
| 14* | 1807838 | Wiring Digram - 115V, IM300, SDG-1 | | |
| 15* | 1804723 | Harness HTR/IGN SDG-1 | | |
| 16* | 1804724 | Door Harness SDG-1 | | |
| 17* | 1804713 | Hi-Limit Harness | | |

* NOT ILLUSTRATED

RECOMMENDED STOCK PARTS

SUNFIRE PARTS IDENTIFICATION
Gas Convection Ovens *models* SDG-1, SDG-2

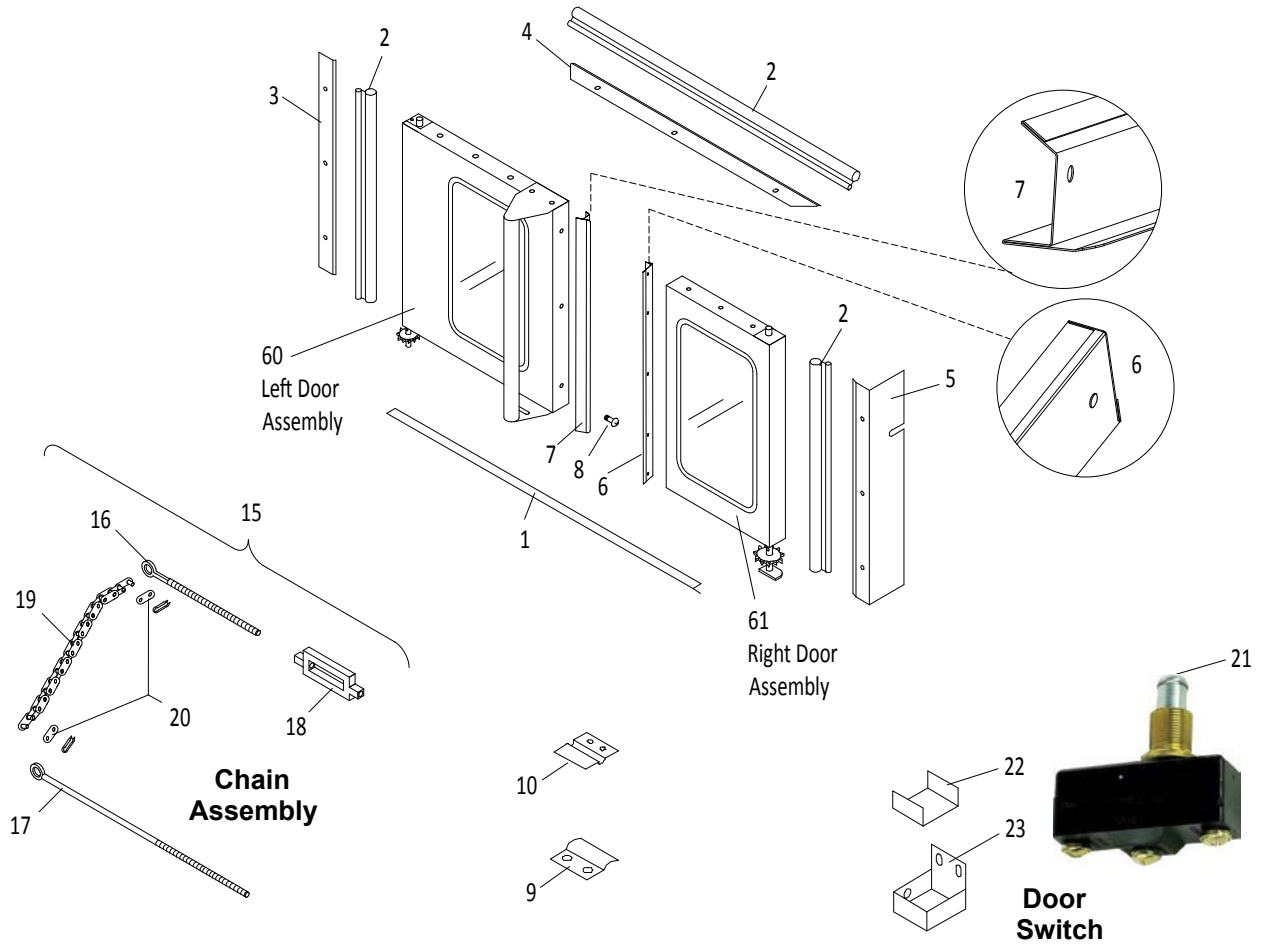
BURNER AND GAS LINE COMPONENTS

| ITEM | PART# | DESCRIPTION | QTY | CRITICAL |
|----------------------------------|---------|--|-----|----------|
| 1 | 1467200 | Burner Pan | 1 | |
| 2 | 1467400 | Burner | 5 | |
| 3 | 1467100 | Cross-over Bracket | 4 | |
| 4 | 1265504 | Cross-over Angle (alt p/n: G03065-1-9) | 2 | |
| 5 | 1265548 | Orifice Fitting - Natural Gas, 48F | 5 | |
| | 1265556 | Orifice Fitting - Propane Gas, 56F | 5 | |
| 6 | 1913599 | Tail Pipe Assembly, 37-1/2" Note: Tail Pipe 1302197 is No Longer Available. | 1 | |
| 10A | 1758901 | Pilot - Electronic, Natural Gas | 1 | C |
| | 1758902 | Pilot - Electronic, Propane | 1 | C |
| 10B | 1466100 | Flame Sensor | 1 | C |
| 11 | 1030024 | Female Terminal | 4 | |
| 12 | 4517368 | Cable - Flame Sensor | 1 | |
| 17 | 1754901 | Dual Valve - Natural Gas | 1 | C |
| | 1754902 | Dual Valve - Propane | 1 | C |
| 18 | 1265585 | Manifold Assembly | 1 | |
| 19 | 1265900 | Shutoff Valve - Manual, 3/4" NPT | 1 | |
| 22 | 05259 | Street Elbow - 90 deg., Black | 1 | |
| 24 | 21302 | Union 1/2" NPT | 1 | |
| 25 | 02565 | Bushing - Hex, 3/4 x 1/2, Black | 2 | |
| 26 | 14323 | Nipple - .50 NPT, Close, SCH 40, Black | 3 | |
| 28A | 2152700 | Spark Ignition Module Note: Item is No Longer Available. Use Kit 4529434 (item 28B). | 1 | C |
| 28B | 4529434 | Ignition Module Service Kit Note: Kit includes an ignition module (part# 4528856) and instructions. | 1 | C |
| 29 | 1269899 | Transformer - Class 2, 120V-24V | 1 | C |
| 30 | 1759101 | Pilot Bracket | 1 | |
| 33 | 1004800 | 1/2 x 1/8 Bell Reducing Coupling | 1 | |
| 34 | 1007300 | 1/8 Steel Pipe Plug (as required) | 1 | |
| 35 | 1666300 | Rajh Adapter | 1 | |
| 36 | 1028713 | Tubing - Aluminum, 1/4" x 13" | 1 | |
| 38 | 1265300 | Heat Deflector (Over the Manifold) | 1 | |
| Burner Package Assemblies | | | | |
| | CK4538 | Natural Gas Burner Kit Nat ICO | | |
| | CK4539 | Propane Burner Package Assembly | | |

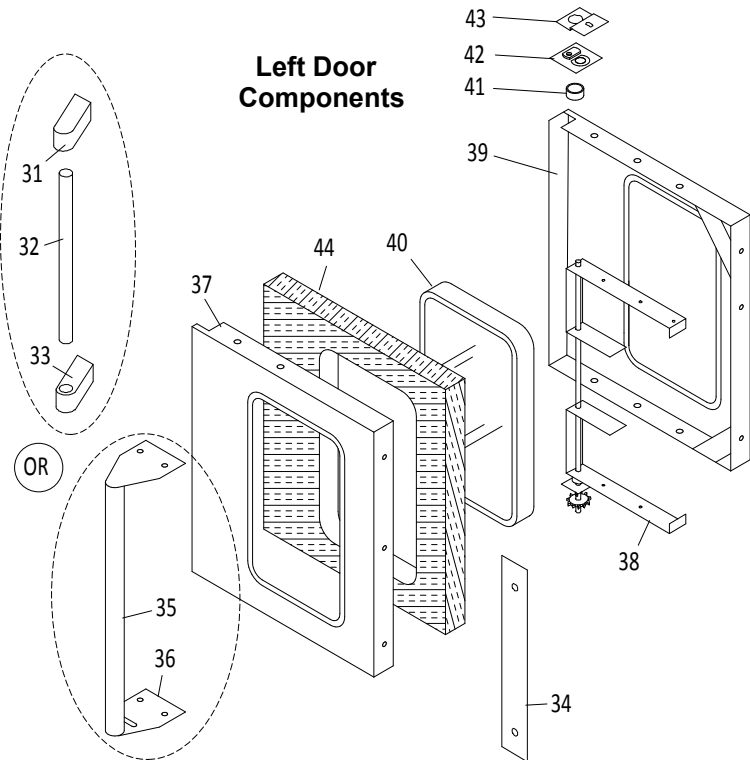
* NOT ILLUSTRATED

RECOMMENDED STOCK PARTS

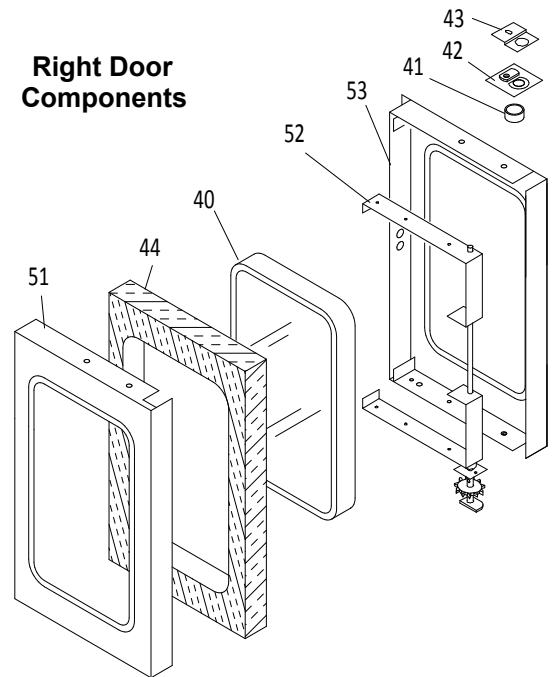
DOOR COMPONENTS & ASSEMBLIES



Left Door Components



Right Door Components



Door

SUNFIRE PARTS IDENTIFICATION
Gas Convection Ovens *models* SDG-1, SDG-2

DOOR COMPONENTS & ASSEMBLIES

| ITEM | PART# | DESCRIPTION | QTY | CRITICAL |
|---|-------------------------|--|---------------------------|----------|
| 1 | 1534500 | <i>Seal - Door, Bottom</i> | 1 | |
| 2 | G03269R | <i>Seal - Door, Top / Left / Right (sold by the foot)</i> | TOP - 3' L/R - 2' EACH | |
| 3 | 1304201 | <i>Side Door Bracket - S/S, Left</i> | 1 | |
| 4 | 1304202 | <i>Top Door Bracket - S/S</i> | 1 | |
| 5 | 1719001 | <i>Right Door Seal</i> | 1 | |
| 6 | 4515192 | <i>Center Door Seal - Right</i> Note: Used FROM 1-Jan-2003. | 1 | |
| 7 | 4515191 | <i>Center Door Seal - Left</i> Note: Used FROM 1-Jan-2003. | 1 | |
| 8 | 8003123 | <i>#10-24 x 5/8" Machine Screw, Phillips, Stl (for Center Door Seals)</i> | 6 | |
| 9 | 1021904 | <i>Door Catch (Door)</i> Note: Used UP TO 22-May-2003. | 1 | C |
| 10 | 1021902 | <i>Door Catch (Frame)</i> Note: Used UP TO 22-May-2003. | 1 | C |
| Door Chain Assembly & Components | | | | |
| 15 | 4520166 | Door Chain Assembly Note: Includes Items 16 - 20 | 2 | C |
| 16 | 1014201 | Connecting Door Rod - Short Note: Item listed for reference only. Not Sold Separately. | 2 | C |
| 17 | 1014200 | Connecting Door Rod - Long Note: Item listed for reference only. Not Sold Separately. | 2 | C |
| 18 | 1015000 | Turnbuckle 1/4-20 with 4" Take Up | 2 | C |
| 19 | 1021100 | Roller Chain #40 | 2 | |
| 20 | 1021299 | Connecting Link #40 | 4 | |
| Door Micro Switch & Related Components | | | | |
| 21 | 1019600 | Door Micro Switch | 1 | C |
| 22 | 1533400 | Door Micro Switch - Cover | 1 | |
| 23 | 1533800 | Door Micro Switch - Bracket | 1 | |
| Left and Right Doors Components | | | | |
| 31 | 1562602 | (Old Style) Door Handle End - Top, Grey | 1 | |
| 32 | 1562603 | (Old Style) Door Handle End - Bottom, Grey | 1 | |
| 33 | 1664800 | (Old Style) Door Handle - Grey | 1 | |
| 34 | 1663201 | Handle Bracket Plate (for Old Style Handle) | 1 | |
| 35 | 4518768 | Door Handle Tube with Insert, Painted | 1 | |
| 36 | 1924206 | Plate for Door Handle | 2 | |
| 37 | 1011605 | Door Panel - Left Note: Used UP TO Mar-2003. | 1 | |
| | 4515200 | Door Panel - Left Note: Used From Mar-2003 | 1 | |

* NOT ILLUSTRATED

RECOMMENDED STOCK PARTS

SUNFIRE PARTS IDENTIFICATION
Gas Convection Ovens models SDG-1, SDG-2

DOOR COMPONENTS & ASSEMBLIES

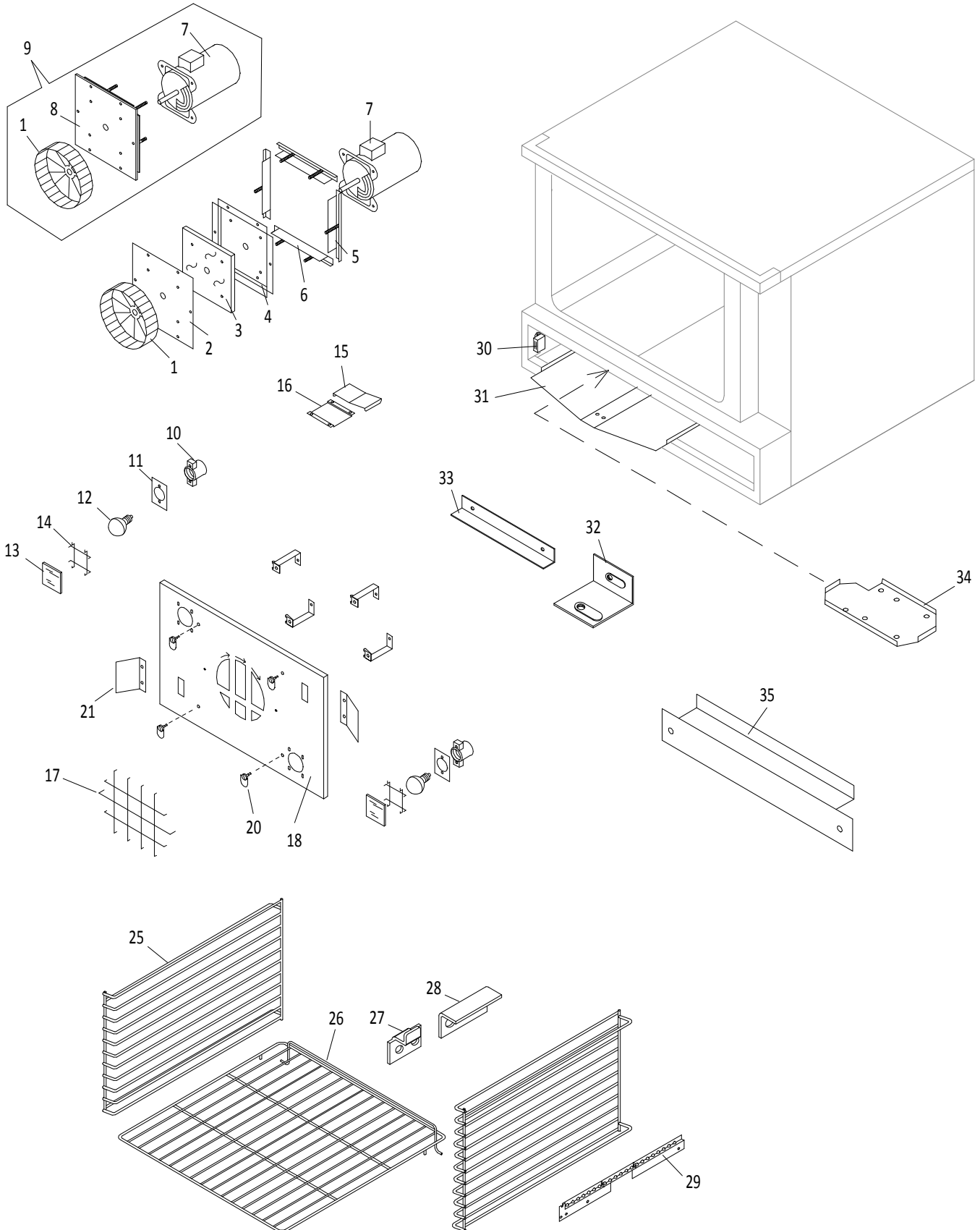
| ITEM | PART# | DESCRIPTION | QTY | CRITICAL |
|---|-----------|---|-----|----------|
| 38 | 1011895 | Door Frame Assembly - Left Note: Used UP TO 26-Mar-2003 | 1 | |
| | CK4515197 | Door Frame Assembly - Left Note: Used From 27-Mar-2003 | 1 | |
| 39 | 1011799 | Liner - Left Door Note: Used UP TO Mar-2003 | 1 | |
| | 4515203 | Liner - Left Door Note: Used From Mar-2003 | 1 | |
| 40 | 1010999 | Oven Door Window - 3/16" Glass | 2 | |
| 41 | 1923201 | Spacer - Door Hinge | 2 | |
| 42 | CK1010589 | Hinge Bracket Assembly with Bearing | 1 | |
| 43 | 1302800 | Upper Door Bearing Retainer | 2 | |
| 44 | 0010000FG | Fiberglass Insulation | 2 | |
| 51 | 4515206 | Door Panel - Right (Window) | 1 | |
| | 1011402 | Door Panel - Right (Solid) | 1 | |
| 52 | CK4515196 | Door Frame Assembly - Right (Window) | 1 | |
| | 1011897 | Door Frame Assembly - Right (Solid) - No Longer Available | | |
| 53 | 4515209 | Liner - Right Door (Window) | 1 | |
| | 1011582 | Liner - Right Door (Solid) | 1 | |
| Left Door - Complete Assemblies | | | | |
| 60 | CK1029279 | Left Door Assembly (Window) Note: Used UP TO 26-Mar-2003. | 1 | |
| | CK1029277 | Left Door Assembly (Solid) Note: Used UP TO 26-Mar-2003. | 1 | |
| | CK4515199 | Left Door Assembly (Window) Note: Used FROM 27-Mar-2003. | 1 | |
| Right Door - Complete Assemblies | | | | |
| 61 | CK1029276 | Right Door Assembly (Window) Note: Used UP TO 26-Mar-2003. | 1 | |
| | CK1029278 | Right Door Assembly (Solid) Note: Used UP TO 26-Mar-2003. | 1 | |
| | CK4515198 | Right Door Assembly (Window) Note: Used FROM 27-Mar-2003. | 1 | |

* NOT ILLUSTRATED

RECOMMENDED STOCK PARTS

NOTES

OVEN COMPONENTS



SUNFIRE PARTS IDENTIFICATION
Gas Convection Ovens *models* SDG-1, SDG-2

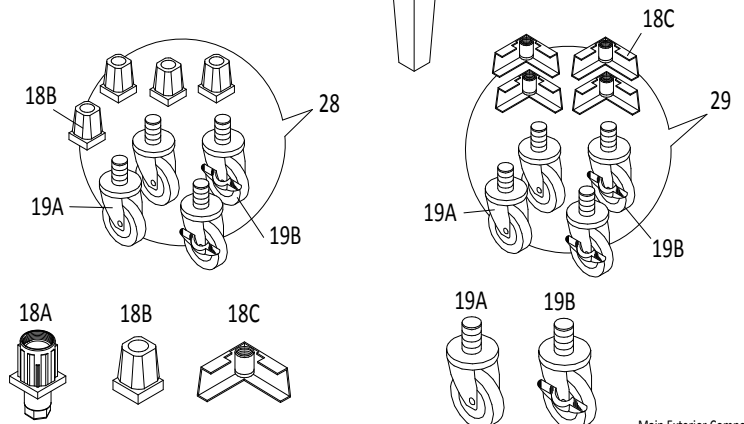
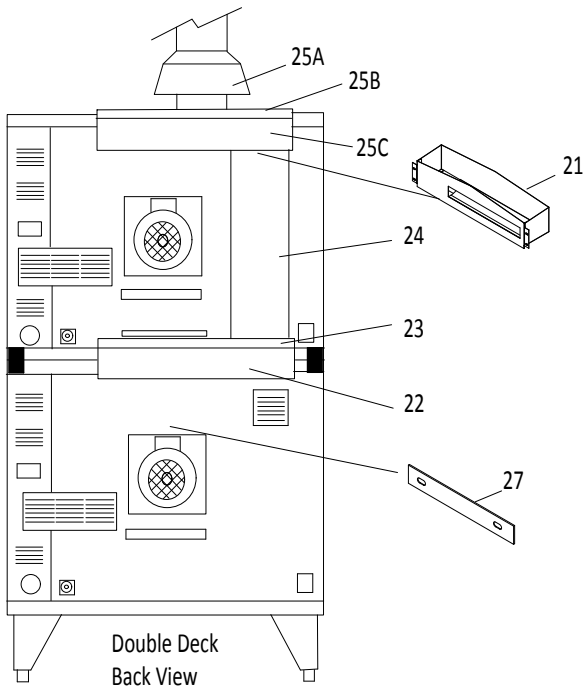
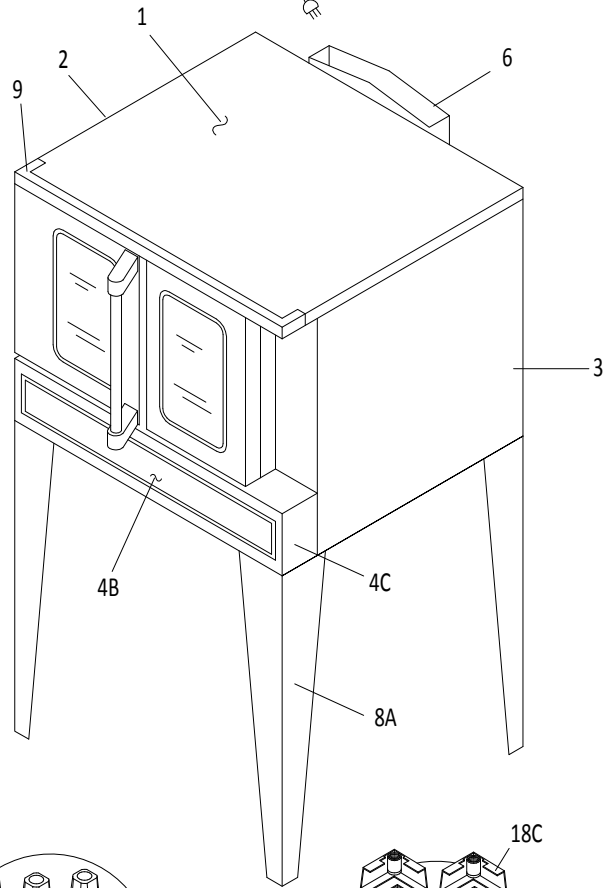
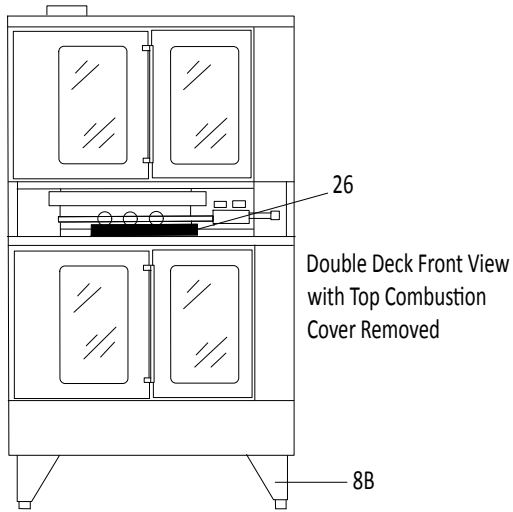
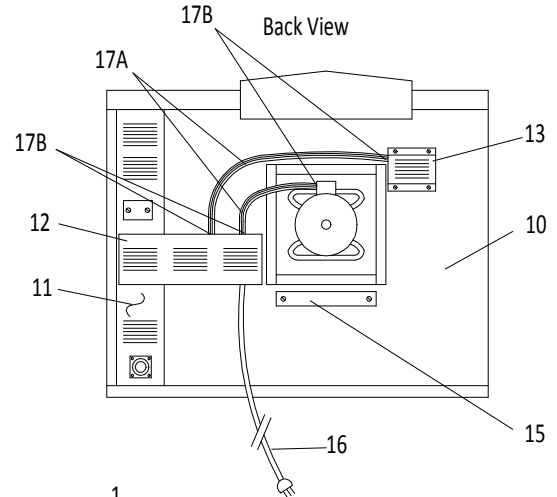
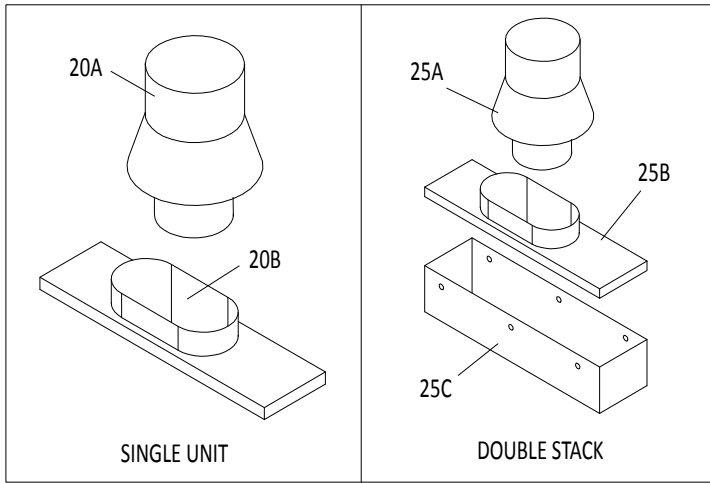
OVEN COMPONENTS

| ITEM | PART# | DESCRIPTION | QTY | CRITICAL |
|------|----------------------------|--|-----|----------|
| 1 | G02952-01P | Blower Wheel Assembly - Nickle Plated | 1 | |
| 2 | 1011902 | Motor Mount Plate | 1 | |
| 3 | 1915921 | Insulation, Motor Pocket | 1 | |
| 4 | 1012000 | Motor Mount Pocket | 1 | |
| 5 | CK1012498 | Motor Mount Brace Assembly - Side | 2 | |
| 6 | CK1012499 | Motor Mount Brace Assembly - Top, Bottom | 2 | |
| 7 | 1686711 | Motor - 3/4 HP 115V 2 Speed | 1 | C |
| 8 | CK1012079 | Motor Mount Assembly Service Kit | 1 | C |
| 9 | CK1003095 | Motor Assembly Kit - 3/4 HP 115V 2 Speed Note: See Bulletin B-110-2001. Kit includes items 1, 7, 8, and fasteners. | 1 | C |
| 10 | 1025800 | Lamp Socket - Porcelain | 2 | |
| 11 | 1025900 | Light Socket Gasket | 2 | |
| 12 | 1026051 | Teflon Coated Light Bulb | 2 | |
| 13 | 9004800 | Light Cover - Glass | 2 | |
| 14 | 1534400 | Glass Retainer | 2 | |
| 15 | 1300900 | Vent Cover | 1 | |
| 16 | 1300901 | Vent Slide | 1 | |
| 17 | G02904-01P | Blower Inlet Cover | 1 | |
| 18 | 1540999 | Air Baffle | 1 | |
| 19 | 1533701 | Air Baffle Spacer | 4 | |
| 20 | 8005000 | 1/4 Turn Pin | 4 | |
| | 8005100 | 1/4 Turn Fastener Receptacle | 4 | |
| 21 | 1541000 | Air vane | 2 | |
| 25 | 1315701 | Rack Guide Assembly, Deep | 2 | |
| 26 | 1012700 | Oven Rack 28x28 | 5 | |
| 27 | 1317600 | Rack Guide Bracket | 4 | |
| 28 | 1317601 | Rack Guide Holddown Bracket | 2 | |
| 29 | CK1015797 | Capillary Tube Guard | 1 | |
| 30 | 1020101 | Magnetic Catch | 2 | |
| 31 | G02858-2-8 | Fire Plate Deep (alt p/n: 1013401) | 1 | |
| 32 | 1297199 | Fire Plate Front Support Welded Assembly | 2 | |
| 33 | 1265700 | Fire Plate Support Angle | 2 | |
| 34 | 1301600 | Base Heat Shield (between item 25 and the Top Combustion Chamber) | 1 | |
| 35 | 1754701 | Center Air Shield | 1 | |

* NOT ILLUSTRATED

RECOMMENDED STOCK PARTS

MAIN EXTERIOR COMPONENTS



Main Exterior Components

SUNFIRE PARTS IDENTIFICATION
Gas Convection Ovens *models SDG-1, SDG-2*

MAIN EXTERIOR COMPONENTS

| ITEM | PART# | DESCRIPTION | QTY | CRITICAL |
|------|-----------|---|-----|----------|
| 1 | 1300600 | Top, SS | 1 | |
| 2 | 1300503 | Left Body Side Panel, SS | 1 | |
| 3 | 1300509 | Right Body Side Panel, SS (Deep) | 1 | |
| 4B | CK4515638 | Combustion Chamber Cover | 1 | |
| 4C | CK1721099 | Combustion Chamber Assembly | 1 | |
| 6 | 1014099 | Flue Collector Box Assembly | 1 | |
| 8A | CK1753298 | Leg Assembly, S/S, 28" | 4 | |
| 8B | 1753398 | Leg Assembly (Double Deck) | 4 | |
| 9 | 1301100 | Top Front Veneer | 1 | |
| | 1302601 | Side Top Veneer | 2 | |
| 10 | 1014710 | Main Back | 1 | |
| 11 | 1015508 | Rear Control Panel Section | 1 | |
| 12 | 1014813 | Junction Box Bottom, Deep | 1 | |
| 13 | 1014809 | Light Box Cover | 1 | |
| 15 | 1032503 | Element Hole Patch GG | 1 | |
| 16 | 1029501 | 8' Long Power Supply Cord | 1 | |
| 17A | 1029430 | 3/8" x 30" Flex Conduit | 2 | |
| 17B | 1028501 | 3/8 BX Connector, Straight | 4 | |
| 18A | 1236100 | 1-1/2" Square Foot Insert, Chrome Plated | 4 | |
| 18B | 1775102 | Caster Insert (Single Deck) | 4 | |
| 18C | 1755998 | Double Deck Caster Pad SS W/A | 4 | |
| 19A | 1027500 | 4" Swivel Caster without Brake, 3/4" NPT Stem | 2 | |
| 19B | 1027501 | 4" Swivel Caster with Brake, 3/4" NPT Stem | 2 | |
| 19C* | 1755999 | Leg Base | 4 | |
| 20A | 1190100 | 6" Vertical Draft Diverter for Single Unit | 1 | |
| 20B | 1190203 | Flue Cap - Single Unit | 1 | |
| 21 | 1015299 | Flue Box Assembly Front | 1 | |
| 22 | 1015205 | Rear Flue Box - Bottom Deck | 1 | |
| 23 | 1015206 | Flue Box Top - Bottom Deck | 1 | |
| 24 | 1015287 | Flue Riser Welded Assembly | 1 | |
| 25A | 1190101 | 8" Vertical Draft Diverter for Double Stacked Units | 1 | |
| 25B | 1586798 | Flue Hood Top - Double Deck | 1 | |
| 25C | 1586799 | Flue Hood Box Body - Double Deck | 1 | |
| 26 | 1302500 | Fire Plate/ Support Bracket | 1 | |
| 27 | 1303200 | Rear Securing Plate | 2 | |
| 28 | CK1129 | Caster Kit - Single Deck Note: Kit includes items 19A (x2), 19B (x2), and 18B (x4). | 1 | |
| 29 | CK1200 | Caster Kit - Double Deck Note: Kit includes items 19A (x2), 19B (x2), and 18D (x4) | 1 | |

* NOT ILLUSTRATED

RECOMMENDED STOCK PARTS

SUNFIRE PARTS IDENTIFICATION
Gas Convection Ovens *models* SDG-1, SDG-2

LIST OF WIRING DIAGRAMS, CASTER AND VENTILATIO KITS

| WIRING DIAGRAMS - GAS | |
|------------------------------|---|
| PART# | DESCRIPTION |
| 1266738 | Wiring Diagram - SDG, 120V, 60Hz, Gas |
| CASTER KITS | |
| PART# | DESCRIPTION |
| CK1129 | Single Deck Caster Kit |
| CK1200 | Double Deck Caster Kit |
| LEG KITS | |
| PART# | DESCRIPTION |
| 1755098 | S/S Legs Kit - Single Deck |
| 1755096 | S/S Legs with Casters Kit - Single Deck |
| 1755798 | S/S Legs Kit - Double Deck |
| 1755796 | S/S Legs with Casters Kit - Double Deck |
| VENTILATION KITS | |
| PART# | DESCRIPTION |
| CK1131 | Direct Connect Vent - Single Deck |
| CK1132 | Direct Connect Vent - Double Deck |
| 1951229 | SS Canopy Diverter (SDG-1, SDG-2) |

SUNFIRE PARTS IDENTIFICATION
Gas Convection Ovens *models* SDG-1, SDG-2

RELATED BULLETINS

| BULLETIN # | SUBJECT | DATE |
|-------------------|--|-------------|
| B-110-2001 | Motor Assembly Kits - Full Size Convection Ovens | SEP 28/2001 |

SUNFIRE PARTS LIST - REVISION HISTORY (SDG)

| REV | PAGE#** | ITEM#** | NOTES | DATE |
|-------|------------|---|--|-----------|
| 3 | 5 | 3 | Part# was 1657913 . | OCT 31/02 |
| | 14 | | Description was thermostat. | |
| | 11 | 26 | Quantity changed, was 1. | |
| | 15 | 20 | New part number added | |
| 4 | 8 | | New drawing | NOV 12/02 |
| 5 | 8,9 | 37 | Part# deleted | APR 29/03 |
| | 12, 13 | 26, 27 | Added new part numbers | |
| 6 | 8 | | New Drawing | SEP 26/03 |
| | 9, 11 | | Added footnote | |
| | 16, 17 | | Digital photos from p.9 - items 10, 11, 12, 35 | |
| 7 | 11 | 21 | Part# correction - was 1012000 | |
| 8 | 13 | 5 | Part 1686711 replaced 1686701 | NOV 4/03 |
| 9 | 13 | 28 | Added part# for wiring diagram | NOV 5/03 |
| 10 | 7 | 6 | Deleted part 1815001 Honeywell Ignition Module Added 2152700 . | JAN 7/04 |
| | 9 | 28 | Deleted - 1516301 Spark Ignition Module Natural Gas | |
| | 16 | | Photo description changed | |
| 11 | 5 | 6 | Added date of use and new part# 1270000 Added amber light photo at the end | JAN 16/04 |
| 12 | 10 | | New drawing - correction under left door itme #'s | JUN 9/04 |
| 13 | 9 | 28 | Added more info | DEC 8/04 |
| 14 | 5 | 6 | Description added | OCT 12/05 |
| | 14 | | New drawing | |
| | 15 | 20 | Kit no long available, was under item# 20 CK1131 Direct Vent Kit - Single & CK1132 Direct Vent Kit - Double | |
| 15 | | 25A, 25B, 25C | Part vent number added for double stack | APR 20/07 |
| | 11 | 14 | Added new part# | |
| | | 31 | | |
| | 10 | | Modified drawing | |
| 16 | | | Added rating plate, serial# info. Revised / added illustrations. | APR 04/12 |
| | 6-7 | 1 | Control Panel 1719801 is NLA. New Panel is 1719805 (S/S, no emboss, same dimensions). | |
| | | 2 | Control Panel Overlay p/n is 1657913 , was 1657713 . | |
| | | 7 | Switch 1955402 replaces 1019209 | |
| | | 8 | Switch 1955401 replaces 1019207 | |
| | | 13, 14B, 16 | Added fluted knob 1765802 , timer 1956001 , and harness 4515632 | |
| | 8-9 | 2 | Main Harness, revised p/n to 4515632 , was 1804722 | |
| | | 3B | Thermal disc cooling switch 1955101 replaces Hi Limit 1781302 | |
| | | 4B | Transformer 1917199 replaces 1917101 | |
| | | 6B, 8, 12, 13 | Added ignition module service kit 4529435 , timer 1956001 , adapter 1666300 , and probes 1842901/1906002 | |
| | | | Removed Upper Control Panel Cover 1918501 . ??????? | |
| | 10-11 | 6, 28B | Added new pipe asm 1913599. Added ignition service kit 4529434 | |
| | | 12 | Flame sensor cable 4517368 , was 1269703 | |
| | | 25 | P/N 02565 replaces 1038403 | |
| | | 26 | P/N 14323 replaces 1004640 | |
| | | 29 | Transformer 1269899 replaces 1269800 | |
| | | | Removed: ignition module 1516301 , coupling 1004821 , nipple 1004662 | |
| | 12-15 | | New and old components are shown and listed. Used UP-TO and FROM dates are noted if info is available. | |
| | | 2 | Parts use G03269R . Was 1581600/1581601. | |
| | 16-17 | 20 | Added p/n 1021299 | |
| | | 2 | Part 1011902 replaces 1011906 | |
| | | 3 | Part 1915921 replaces 1012100 | |
| | | 5 | Added related bulletin info. | |
| | | 1 | Parts use G02952-01P . Was 1025302 | |
| | | 14 | Parts use G02904-01P . Was 1014500 | |
| | | 23 | Capillary Tube Guard, use kit CK1015797 . Was 1015799 | |
| | | 25A | Parts use G02858-2-8 . Was 1013401 . | |
| | | | Removed W/D 1266733. List W/D on a different page and new P/N is 1266738. | |
| 18-19 | | Painted exterior option is No Longer Available. Removed items 1300601 , 1300502 , 1300508 . | | |
| | 4A, 4B, 4C | Added new combustion chamber parts CK1721001, CK4515638 , CK1721099 | | |
| | | Removed: logo part 229147-2 , legs 1753299 , legs 1753399 , caster pad 1303597, connector 1028500 , rear control panel patch 1046500. | | |
| | 18B | Caster Insert 1775102 replaces 1303596 . | | |
| | 28, 29 | Added caster kits. | | |
| 17 | | | New Sunfire logo. | APR 30/12 |
| 18 | | | SDG model is No Longer Available. Added serial# and date on front and third pages. | MAY 22/12 |
| 19 | 16-17 | 4A, 4B, 4C | Removed item 4A as invalid P/N. Use 4B. 4C is a separate part. | OCT 22/14 |

** Page#/Item# reference the specific page/item numbers in the corresponding Revision version only.



1-844-724-CARE • www.mtwkitchencare.com