



Summit Gas Convection Oven

models **SGM-100, SGM-200**

for units built **FROM: (serial#) 0709100242026**

TO: (serial#) 12072300xxxxx

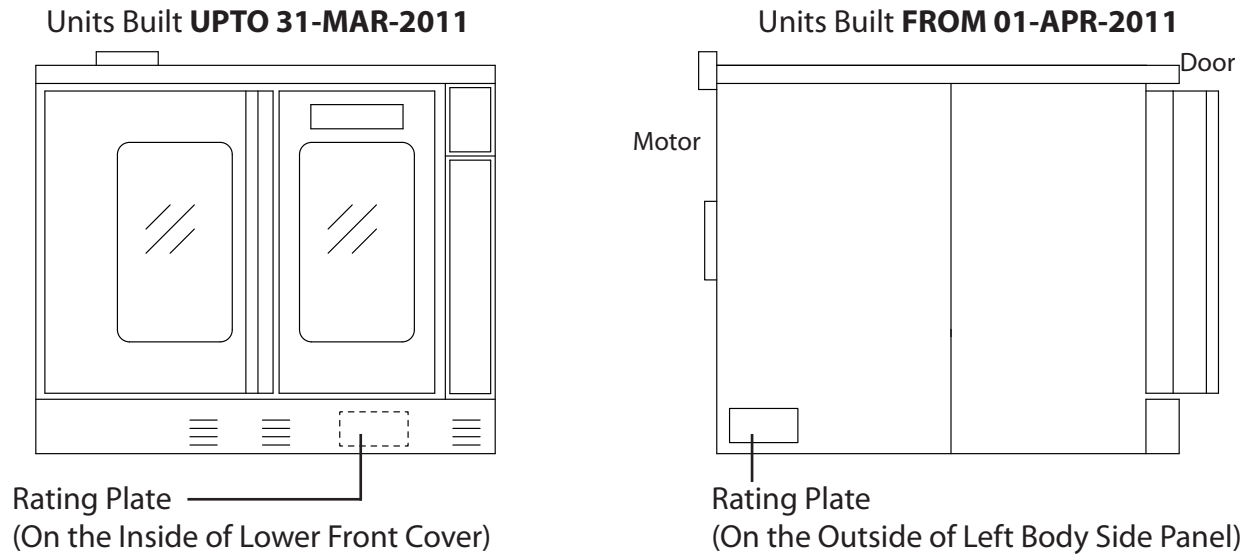
PARTS LIST

Phone (US & Canada): 1 800 427 6668

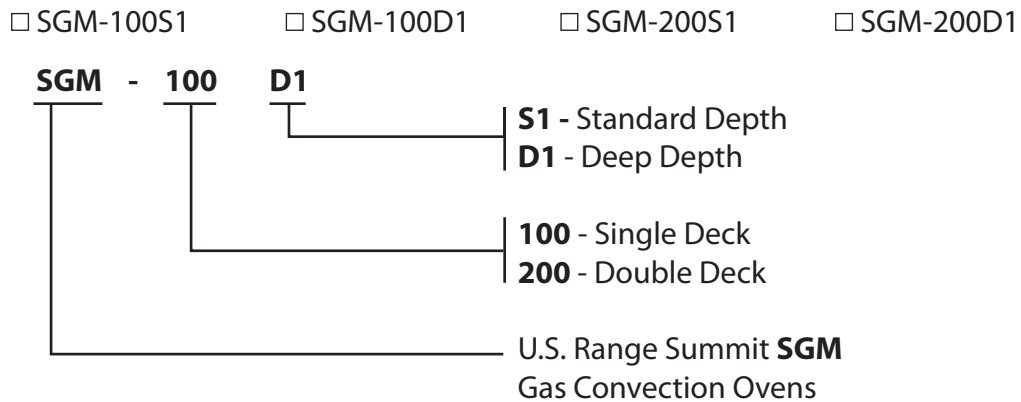
Fax (US & Canada): 1 800 361 7745

www.Garland-Group.com

Rating Plate Location

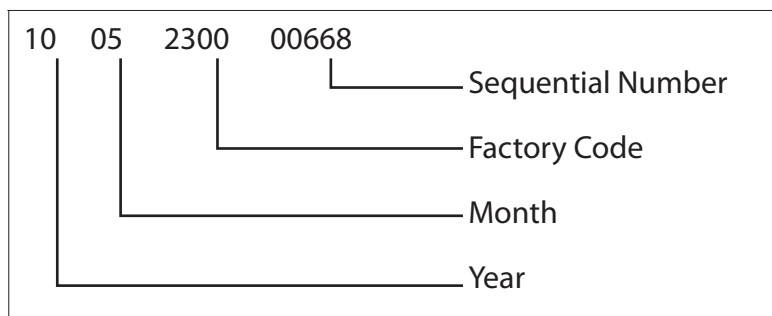


Model Number Explained



Serial# (Year/Month Information)

The Serial Number is **13 Digits** long and is stamped on the Rating Plate.





Summit Gas Convection Oven

models **SGM-100, SGM-200**

for units built FROM: (serial#) 0709100242026

TO: (serial#) 12072300xxxxx

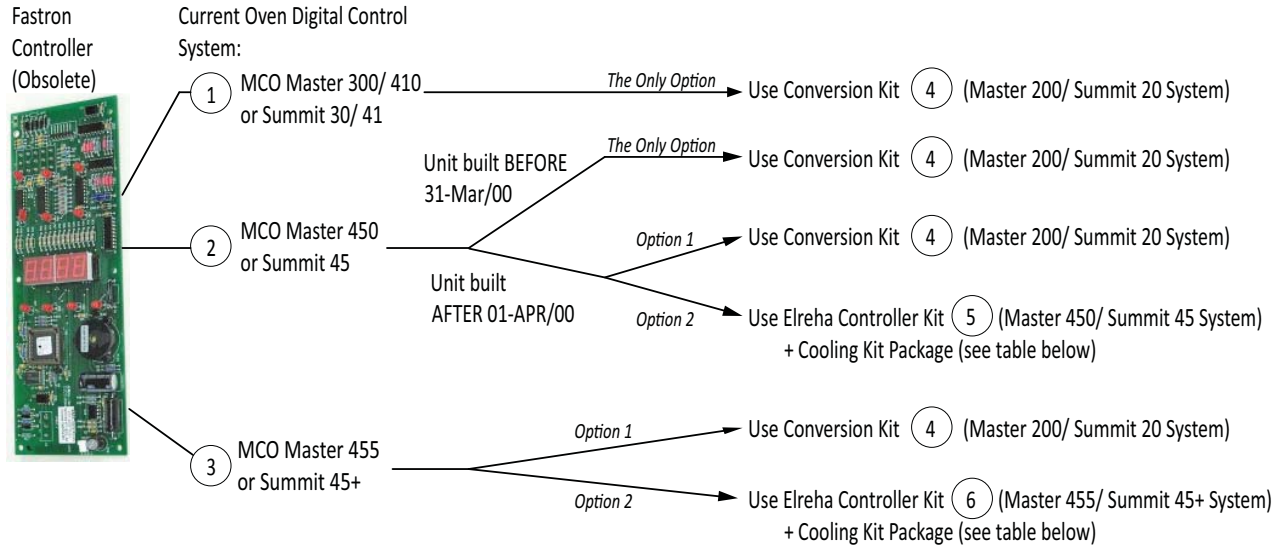
Table of Contents

Rating Plate Location / Model & Serial# Information	2
Digital Controller Kits - Replacement Kits & Cooling Kits	4
FASTRON Digital Control Panel & Components	6
ELREHA Digital Control & Components	10
Burner Package.....	14
Door Components & Assemblies.....	16
Oven Components.....	20
Main Exterior Components.....	22
List of Wiring Diagrams & Available Kits.....	24
Bulletins	25
Revision History	25

This parts list is updated regularly. Please find the most current revision on our website @ www.Garland-Group.com

CONTROLLER REPLACEMENT KIT OPTIONS

(for Convection Ovens with Fastron Control System)



COOLING KIT PACKAGES

** Not Required for Conversion Kit 4

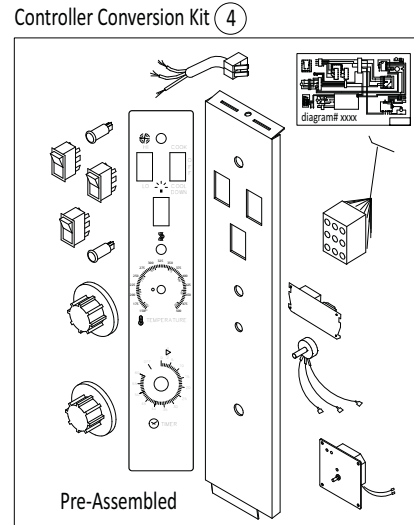
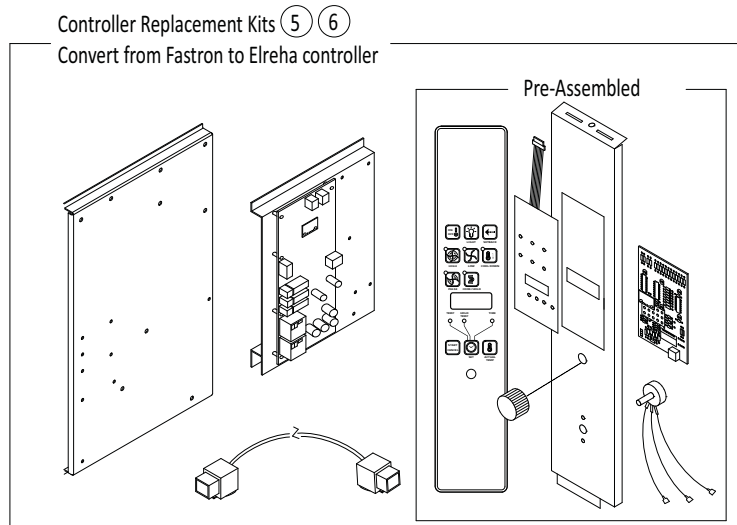
** for convection ovens built before Jan, 2014 with Elreha conversion kits/control system)



Elreha Controller

Ovens with Elreha Controller	All Ovens Built Prior to October, 2007	All Ovens Built between Oct, 2007 - Jan, 2014
Standard Depth Oven (oven rack 22" deep)	7 115320 + 9 115322 (Supplementary Kit)	7 115320
Deep Depth Oven (oven rack 26" deep)	8 115321 + 9 115322 (Supplementary Kit)	8 115321

KIT COMPONENTS



U.S. RANGE PARTS IDENTIFICATION
Summit Series Gas Convection Oven
models SGM-100/200

**FASTRON CONTROLLER REPLACEMENT KITS &
ELREHA COOLING KITS**

ITEM	PART#	DESCRIPTION	QTY	CRITICAL
FASTRON CONTROLLER REPLACEMENT KITS				
1	1905702	Summit 41 (410) Digital Controller Note: Use Kit 4530458 (Item #4) Ref: Bulletin# GAR-02-14-AC.	NLA ⁺	C
2	1905703	Summit 45 (450) Digital Controller with Cook-N-Hold Note: Use Kit 4530458 (Item #4) or 4529707 (Item #5). Ref: Bulletin# GAR-02-14-AC.	NLA ⁺	C
3	1905704	Summit 45+ (455) Digital Controller with Cook-N-Hold and Core Probe Note: Use Kit 4529708 (item #6). Ref: Bulletin# GAR-02-14-AC.	NLA ⁺	C
4	4530458	Controller Replacement/Conversion Kit (Gas) - from digital to manual control Note: This Kit is the ONLY OPTION available for any unit built before 31-March/2000 .	1	C
5	4529707	Controller Replacement Kit - USRange 45 (Gas/Electric), Elreha Note: Use this Kit for any unit manufactured after 01-April/2000 . Kit includes a panel assembly with Elreha control, a relay board assembly, a cable, a bracket and instruction# 4529741. Ref: Bulletin# GAR-02-14-AC.	1	C
6	4529708	Controller Replacement Kit - USRange 45+ (Gas/Electric), Elreha Note: Kit includes a panel assembly with Elreha control, a relay board assembly, a cable, a bracket and instruction# 4529741. Ref: Bulletin# GAR-02-14-AC.	1	C
COOLING KITS				
Not required for ovens with manual controls. These kits are for any oven built before Jan, 2014 with Elreha conversion kit (items 5, 6) / Elreha control system. Ref: Bulletin# GAR-02-14-AC.				
7	115320	Cooling Kit, Standard Depth Oven, with Elreha Control Note: <ul style="list-style-type: none"> • Kit includes a duct assembly, a hole plug, a cover plate, and fastners. • Also require Kit 115322 (item 9) for any oven built before October, 2007. 	1	
8	115321	Cooling Kit, Deep Depth Oven, with Elreha Control Note: <ul style="list-style-type: none"> • Kit includes a duct assembly, a hole plug, a cover plate, and fastners. • Also require Kit 115322 (item 9) for any oven built before October, 2007. 	1	
9	115322	Supplementary Cooling Kit Note: <ul style="list-style-type: none"> • Only required for ovens built before October, 2007; use this kit with either 115320 (item 7) for standard depth or 115321 (item 8) for deep depth oven. • Kit includes a high limit assembly, a circuit board support, insulation, a finger guard, and fasteners. 	1	

* NOT ILLUSTRATED

RECOMMENDED STOCK PARTS

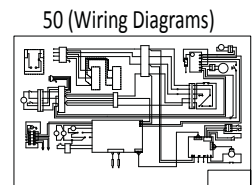
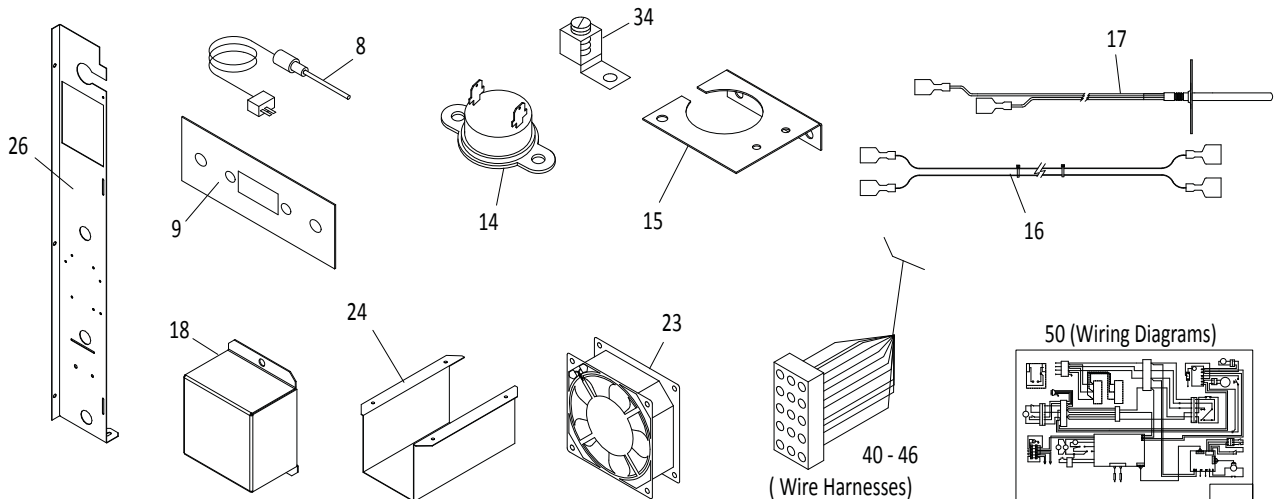
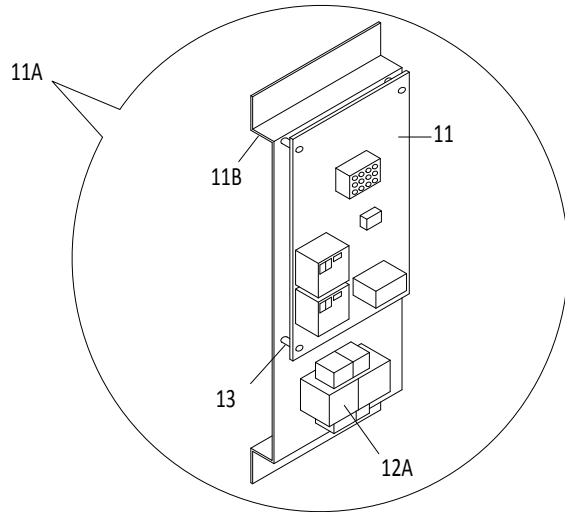
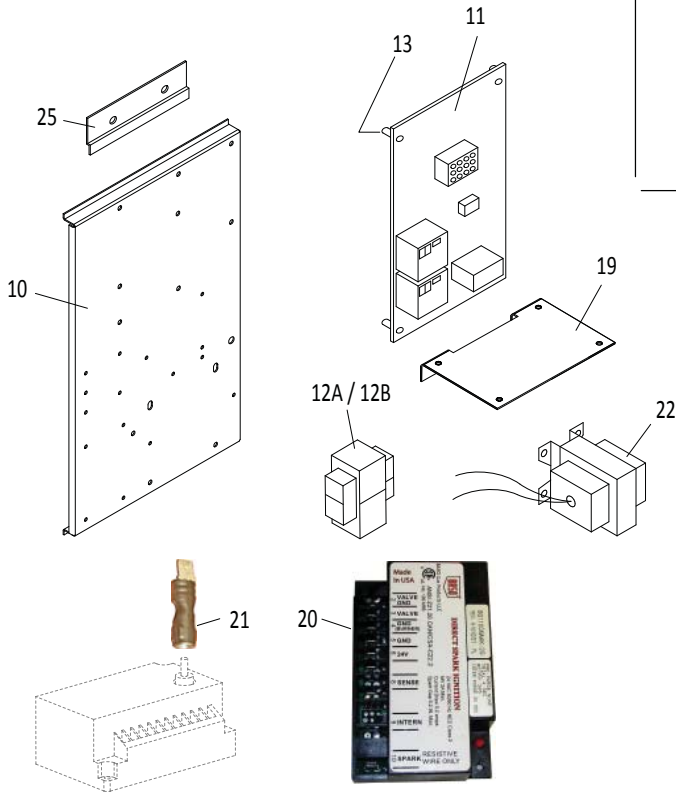
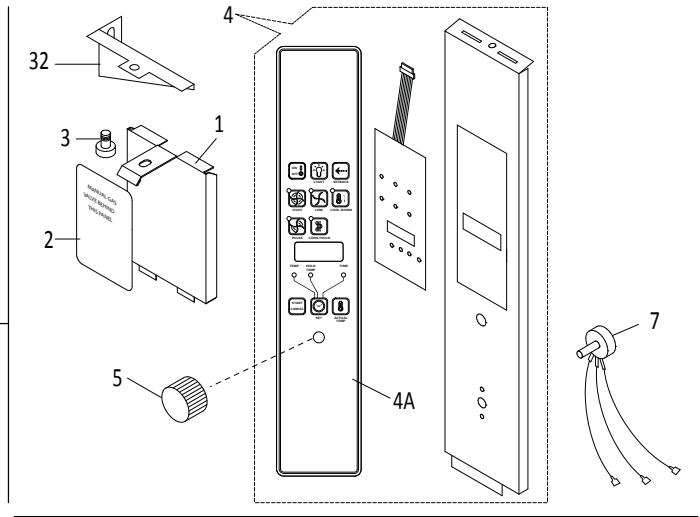
⁺ NLA = No Longer Available

(FASTRON) DIGITAL CONTROL PANEL & COMPONENTS



Fastron Controller (Obsolete)
For Fastron controller
replacement kits, see p. 4.

Elreha Controller
See p. 10.



Fastron Digital Control Components

U.S. RANGE PARTS IDENTIFICATION
Summit Series Gas Convection Oven
models SGM-100/200

(FASTRON) DIGITAL CONTROL PANEL & COMPONENTS

ITEM	PART#	DESCRIPTION	QTY	CRITICAL
1	1802599	Cover - Upper Control Panel OLD MODEL, No Longer Available.	1	
	1918501	Cover - Upper Control Panel, SS	1	
2	1835905	Overlay Top Control Panel Gas, black	1	
	115268	Overlay Top Control Panel Gas, silver/gray	1	
3	GF297	#10-24 x 1/2" Slotted Thumb Screw / Knurled Screw	1	
4	1952888	Control Panel Assembly - Summit 45 Keypad, with Light Note: Assembly Includes a S/S Panel, a Key-Pad Control and Overlay (item 4A).	1	
	CK1952887	Control Panel Assembly - Summit 45+ Keypad, with Light Note: Assembly Includes a S/S Panel, a Key-Pad Control and Overlay (item 4A).	1	
4A	1908509	Overlay - Summit 45 with Light	1	
	1908511	Overlay - Summit 45+ with Light	1	
5	1720502	Fluted Knob (Fast Control Knob)	1	
7	1911601	Potentiometer - Encoder	1	C
8	1906004	Core Probe (Meat Probe) - for IM45+ Control Only	1	
9	1946701	Core Probe Bracket - for IM45+ Control Only	1	
10	1933406	Bracket - Ignition Control for units with Fastron Control.	1	
11	1916901	Relay Board PCB Assy	1	C
11A	S113850	Relay Board Assembly Kit - 120V Note: Kit includes PCB Asm (1916901/item 11), transformer (1917199/item 12A), bracket (1916801/item 11B), nylon spacers and fasteners.	1	
	S113851	Relay Board Assembly Kit - 208-240V Note: Kit includes PCB Asm (1916901/item 11), transformer (1917198/item 12B), bracket (1916801/item 11B), nylon spacers and fasteners.		
11B	1916801	Bracket - Relay Board Assembly	1	
12A	1917199	Transformer 120V to 24VAC	1	C
12B	1917198	Transformer 208/240V to 24VAC	1	C
13	1767901	Nylon PCB Spacer	4	
14	1955101	Switch - Thermal Disc, Cooling Fan	1	C
15	4519862	Bracket - Thermal Disc Switch	1	
16	1906003	Cable Assembly - Probe Extension (USE ONLY WITH 1906002) Note: Used from Nov-2000.	1	C
17	1906002	Probe - RTD, Flange Mount (USE ONLY WITH 1906003) Note: Used from Nov-2000.	1	C
18	1916301	Cover - Probe Connector	1	
19	4522605	Bracket - DSI Ignition Module	1	
20	4521585	DSI Ignition Module	1	C
21	1666300	1/4 Spade To Rajh Type Adaptor	1	
22	1269899	Transformer - Class 2, 120V to 24V (with Insulated Slip on Terminal), for 115V-unit	1	C
	1636000	Transformer - 24VAC, for 208/240V-unit	1	C
23	1918201	Cooling Fan 120MM, 115V Note: Used UP To Sep-2009.	1	C
	1671100	Polar Fan 115V Note: For Fan Installation, refer to Service Bulletin B-97-2009-S.	1	C
	1918202	Cooling Fan 208V / 240V Note: Used UP To Sep-2009.	1	C
	1671101	Cooling Fan 208 / 240 V Note: For Fan Installation, refer to Service Bulletin B-97-2009-S.	1	C

* NOT ILLUSTRATED

RECOMMENDED STOCK PARTS

U.S. RANGE PARTS IDENTIFICATION
Summit Series Gas Convection Oven
models SGM-100/200

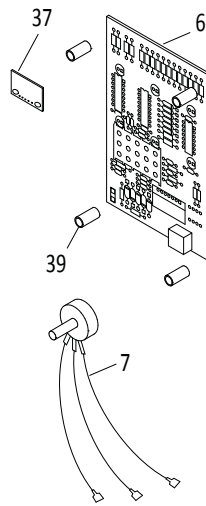
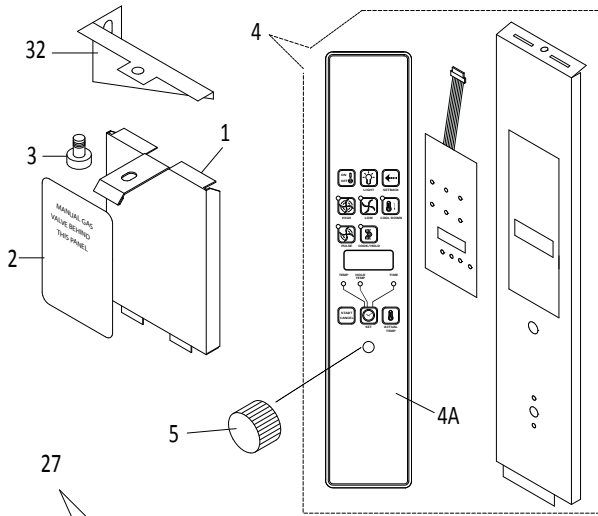
(FASTRON) DIGITAL CONTROL PANEL & COMPONENTS

ITEM	PART#	DESCRIPTION	QTY	CRITICAL
24	1918001	Air Exhaust Duct - Standard Depth	1	
	1918002	Air Exhaust Duct - Deep Depth	1	
25	1911301	Relay Bracket Slide	2	
26	1926001	Panel - Right Side, Mid	1	
32	1918902	Bracket - Upper Control Panel Mounting	1	
34	1028402	Ground Lug (208/240V 1920102 module)	1	
39*	1804725	Main Wire Harness (in older units)	1	
40*	1949599	Wire Harness - 115V 60Hz Gas	1	
	1949598	Wire Harness - 208/240V 60Hz Gas	1	
41*	1949578	Wire Harness - Relay Board	1	
43*	1905901	Harness - Control to Relay	1	
44*	1905902	Wire Harness - Core Probe, for IM45+ Control Only	1	
45*	1949579	Wire Harness - Lights	1	
46*	1936095	Wire Harness - Ignition Module (IPI/DSI)	1	
50*	1949501	Wiring Diagram 115V 60Hz Gas Fast Control	1	
	1949502	Wiring Diagram 208/240V Gas Fast Control	1	
Note: Diagram part#s listed For Reference Only. Please contact Technical Service for assistance.				

* NOT ILLUSTRATED

RECOMMENDED STOCK PARTS

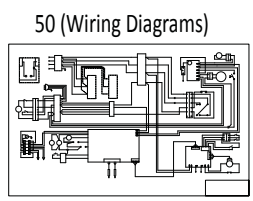
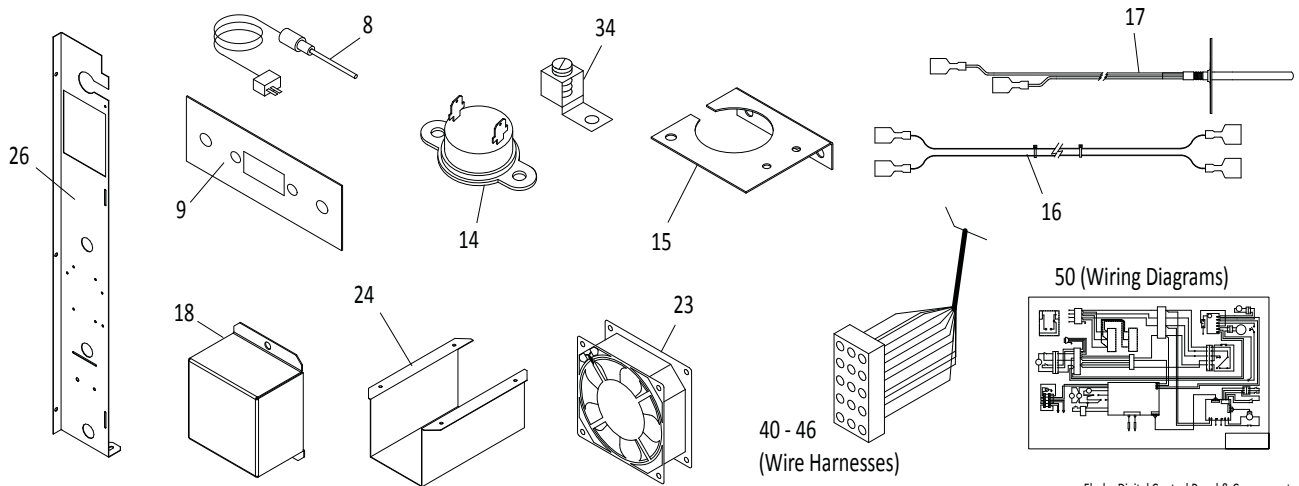
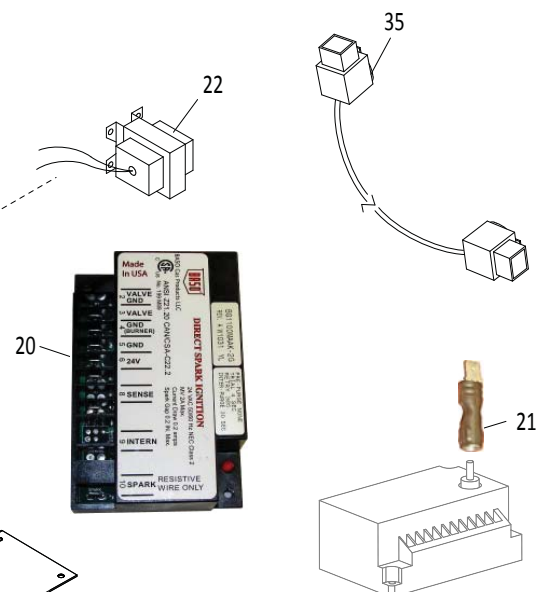
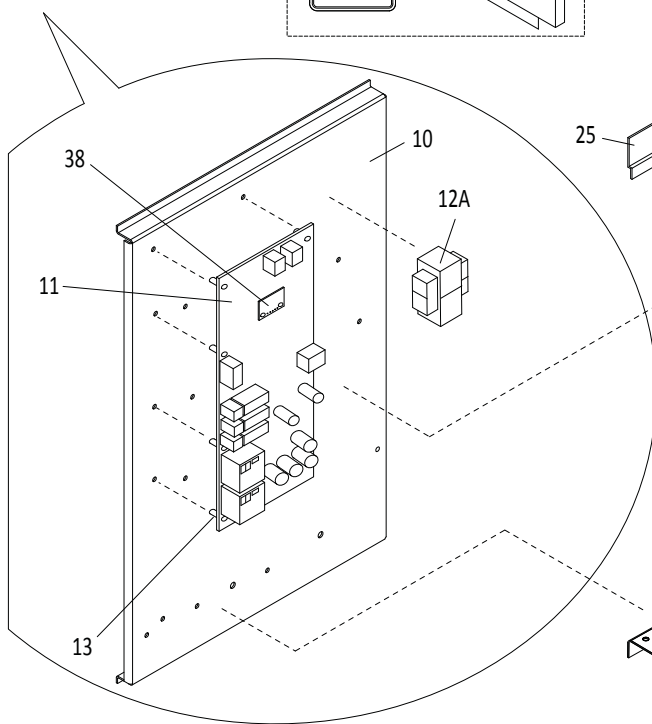
Blank Page



Size Comparison

Fastron Controller (Obsolete)
For Fastron controller
replacement kits, see p. 4.

Elreha Controller



Elreha Digital Control Panel & Components

U.S. RANGE PARTS IDENTIFICATION
Summit Series Gas Convection Oven
models SGM-100/200

(ELREHA) DIGITAL CONTROL PANEL & COMPONENTS

ITEM	PART #	DESCRIPTION	QTY	CRITICAL
1	1918501	Cover - Upper Control Panel, SS	1	
2	1835905	Overlay Top Control Panel Gas, black	1	
	115268	Overlay Top Control Panel Gas, silver/gray	1	
3	GF297	#10-24 x 1/2" Slotted Thumb Screw / Knurled Screw	1	
4	4530504	Summit 45 Control Panel Assembly (Elreha) Note: Assembly includes a S/S Control Panel, a Summit 45 Overlay (item 4A), and a Key Pad Control(Membrane Switch). S/S Panel and Key Pad Not Sold Separately.	1	
	4530505	Summit 45+ Control Panel Assembly Kit (Elreha) Note: Assembly includes a S/S Control Panel, a Summit 45+ Overlay (item 4A), and a Key Pad Control(Membrane Switch). S/S Panel and Key Pad Not Sold Separately.	1	
4A	4529266	Overlay - Summit 45 , with Light, Elreha	1	
	4529267	Overlay - Summit 45+ , with Light, Elreha	1	
5	1720502	Fluted Knob (Fast Control Knob)	1	
6	4527483	User Interface Board / UI Board (Elreha)	1	
7	1911601	Potentiometer - Encoder	1	C
8	1906004	Core Probe (Meat Probe) - for Summit 45+ Control Only	1	
9	1946701	Core Probe Bracket - for Summit 45+ Control Only	1	
10	4528498	Bracket - Ignition Control/SRB, Elreha	1	
11	4527484	Relay Board / SRB - Digital Control, Elreha	1	C
12A	1917199	Transformer 120V to 24VAC	1	C
12B*	1917198	Transformer 208/240V to 24VAC	1	C
13	1767901	Nylon Spacers	8	
14	1955101	Switch - Thermal Disc, Cooling Fan	1	C
15	4519862	Bracket - Thermal Disc Switch	1	
16	1906003	Cable Assembly - Probe Extension (USE ONLY WITH 1906002)	1	C
17	1906002	Probe - RTD, Flange Mount (USE ONLY WITH 1906003)	1	C
18	1916301	Cover - Probe Connector	1	
19	4522605	Bracket - DSI Ignition Module	1	
20	4521585	DSI Ignition Module	1	C
21	1666300	1/4 Spade To Rajh Type Adaptor	1	
22	1269899	Transformer - Class 2,120V to 24V (with Insulated Slip on Terminal), for 115V-unit	1	C
	1636000	Transformer - 24VAC, for 208/240V-unit	1	C
23	1671100	Polar Fan 115V Note: For Fan Installation, refer to Service Bulletin B-97-2009-S.	1	C
	1671101	Cooling Fan 208 / 240 V Note: For Fan Installation, refer to Service Bulletin B-97-2009-S.	1	C
24	1918001	Air Exhaust Duct - Standard Depth	1	
	1918002	Air Exhaust Duct - Deep Depth	1	
25	1911301	Relay Bracket Slide	2	
26	1926001	Panel - Right Side, Mid	1	
27	S113848	Relay Board Assembly - Gas, Elreha Note: Assembly includes a mounting panel, relay board, personality module, transformer (1917199), and fasteners.	1	
32	1918902	Bracket - Upper Control Panel Mounting	1	
34	1028402	Ground Lug (208/240V 1920102 module)	1	
35	4529003	Cable - UI/SRB 0.5M Elreha	1	

* NOT ILLUSTRATED

RECOMMENDED STOCK PARTS

U.S. RANGE PARTS IDENTIFICATION
Summit Series Gas Convection Oven
models SGM-100/200

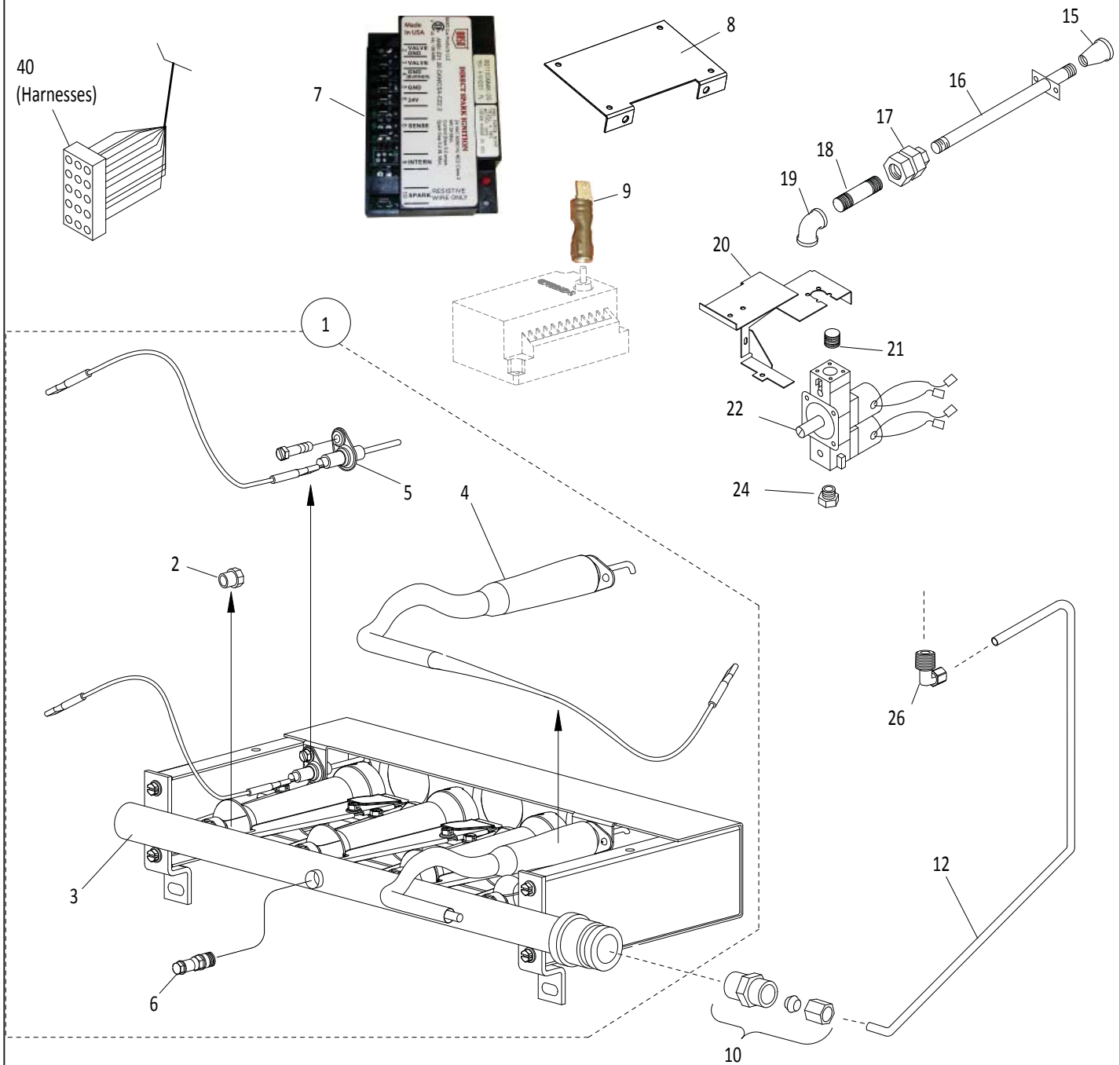
(ELREHA) DIGITAL CONTROL PANEL & COMPONENTS

ITEM	PART #	DESCRIPTION	QTY	CRITICAL
37	4529740	Personality Module on UI, Elreha	1	
38	4529761	Personality Module on Relay Board/SRB, Elreha	1	
39	1955703	Standoff Nylon, 1/4" dia.	4	
40*	1949599	Wire Harness - 115V 60Hz Gas	1	
	1949598	Wire Harness - 208/240V 60Hz Gas	1	
41*	1949578	Wire Harness - Relay Board	1	
44*	1905902	Wire Harness - Core Probe, for Summit 45+ Control Only	1	
45*	1949579	Wire Harness - Lights	1	
46*	1936095	Wire Harness - Ignition Module (IPI/DSI)	1	
50*	1949501	Wiring Diagram 115V 60Hz Gas Fast Control	1	
	1949502	Wiring Diagram 208/240V Gas Fast Control	1	
Note: Diagram part#s listed For Reference Only. Please contact Technical Service for assistance.				

* NOT ILLUSTRATED

RECOMMENDED STOCK PARTS

Blank Page



Burner Package

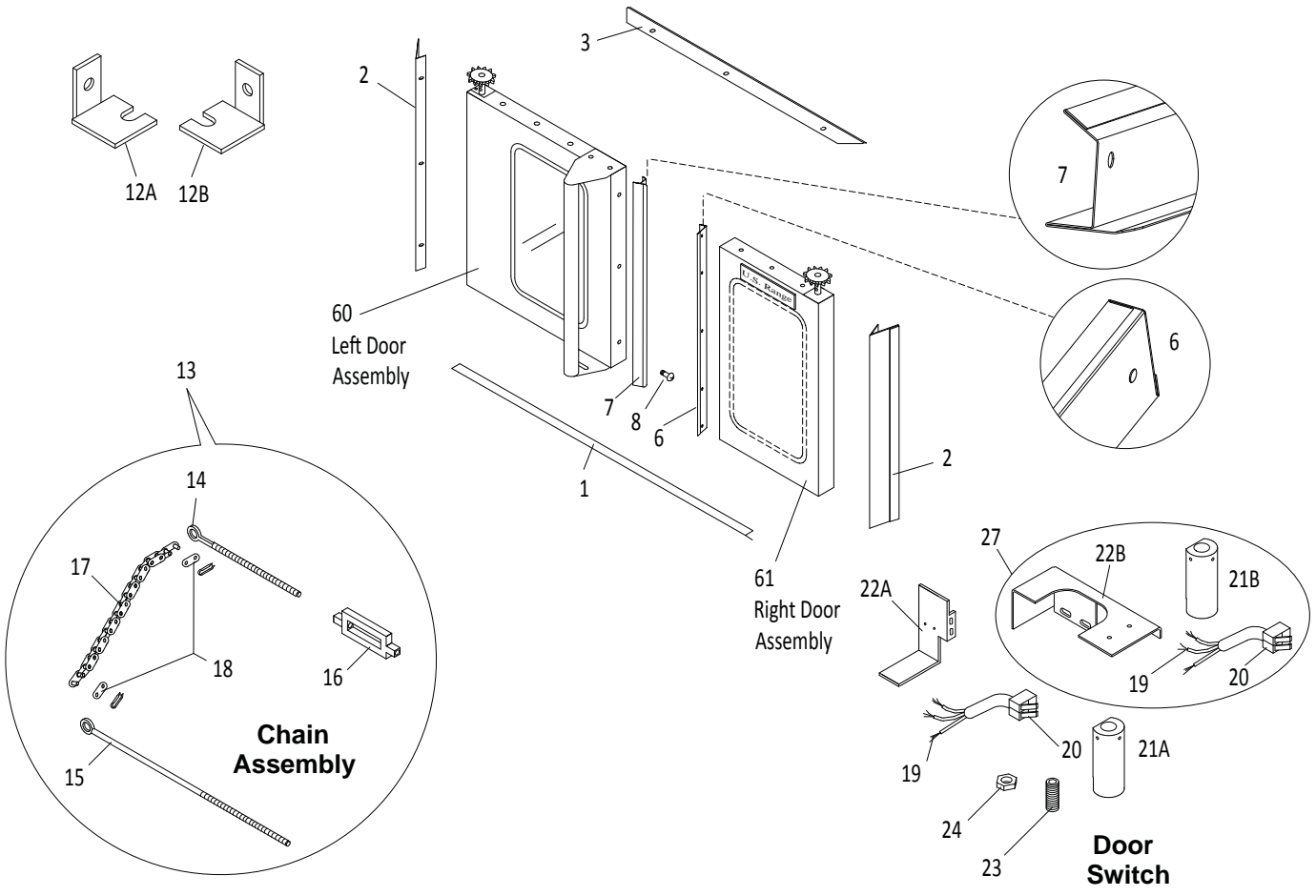
U.S. RANGE PARTS IDENTIFICATION
Summit Series Gas Convection Oven
models SGM-100/200

BURNER PACKAGE

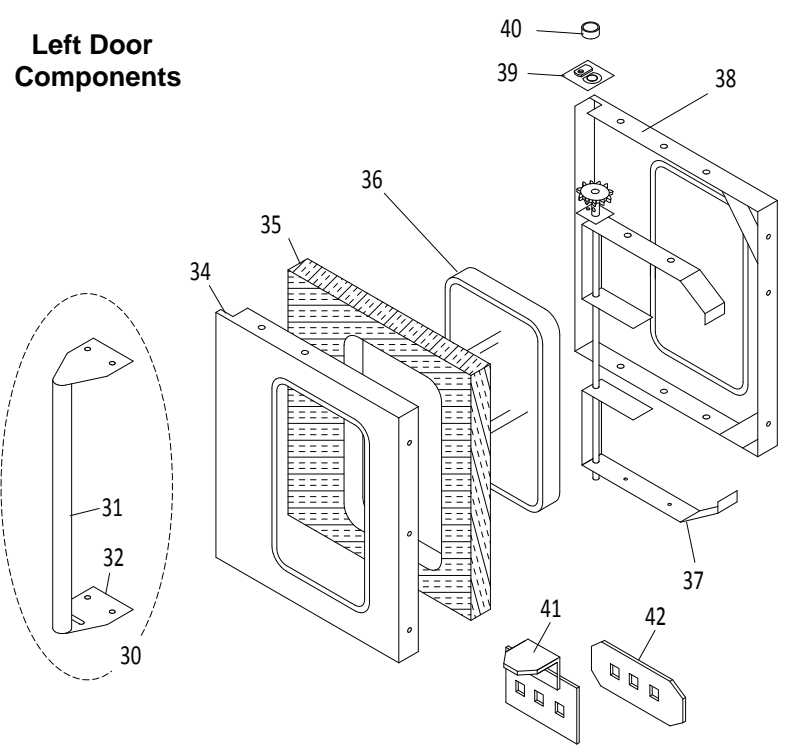
ITEM	PART #	DESCRIPTION	QUANTITY	CRITICAL
1	4521462	Burner Pack - DSI MCO 60K Natural	1	
	CK4521468	Burner Pack Converted - DSI MCO 80K Natural	1	
	CK4521464	Burner Pack Converted - DSI MCO 60K Propane	1	
2	4521466-04	Orifice, DSI MCO 80K Natural #47 Note: Use with Burner Pack CK4521468.	4	
	4521466-01	Orifice, DSI MCO 60K Propane #56 Note: Use with Burner Pack CK4521464.	4	
3	1916101	Manifold Pipe	1	
4	4523414	Ignitor - DSI Burner Pack	1	C
5	4523415	Flame Sensor – DSI Burner Pack	1	C
6	02251-1	Pressure Test Spigot	1	
7	4521585	DSI Ignition Module	1	C
8	4522605	Bracket - DSI Ignition Module	1	
9	1666300	1/4 Spade To Rajh Type Adaptor	1	
10	1095499	Straight Connector Assembly - 3/8 NPT x 7/16 CC (Includes Nut & Ferrule)	1	
12	1934308	Tubing - Gas Valve to Manifold	1	
15	1004849	Bell Reducer - 3/4 to 1/2 NPT	1	
16	1916199	Tailpipe - Standard	1	
	1916198	Tailpipe - Deep	1	
17	21302	Union - 1/2" NPT, Black (old P/N 1026903)	1	
18	14332	Nipple - 1/2" NPT x 3", Black (old P/N 1004644)	1	
19	05249	1/2" NPT x 90 Degree Elbow (old P/N 1026703)	1	
20	CK1918999	Bracket, Gas Valve Mount	1	
21C	14323	Close Nipple - 1/2" NPT x 1" Long (old P/N 1004640)	1	
22	1935701	Gas Valve - Natural Gas, Dual w/ Shut 4"	1	C
	1935702	Gas Valve - Propane Gas, Dual w/ Shut 10"	1	C
24	02558	Hex Bushing 1/2 x 3/8 NPT Black (old P/N 1038401)	1	
26	1027499	90 deg. Male Connector Assembly 7/16 CC x 3/8 NPT (includes a 7/16 CC Nut and a 7/16 CC Ferrule)	1	
40*	1936095	Wire Harness - Ignition Module (IPI/DSI)	1	

* NOT ILLUSTRATED

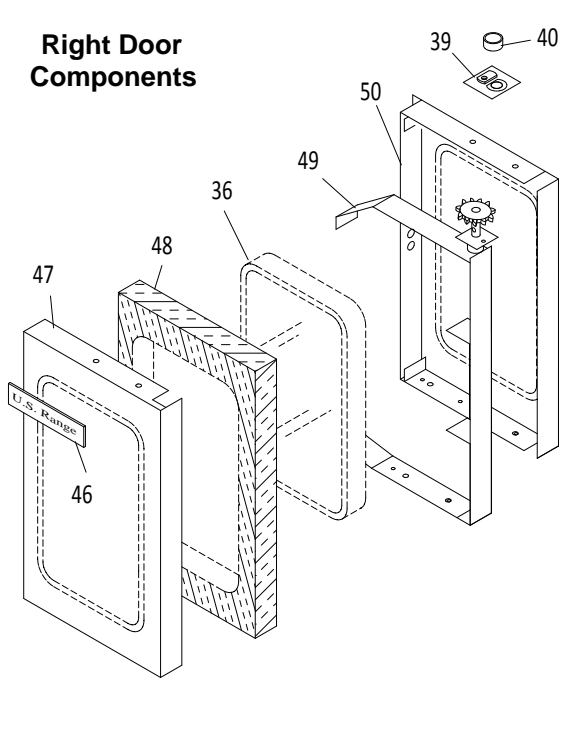
RECOMMENDED STOCK PARTS



Left Door Components



Right Door Components



U.S. RANGE PARTS IDENTIFICATION
Summit Series Gas Convection Oven
models SGM-100/200

DOOR COMPONENTS & ASSEMBLIES

ITEM	PART #	DESCRIPTION	QUANTITY	CRITICAL
1	1924712	Seal - Door, Bottom	1	
2	1924601	Seal - Door, Left & Right	2	
3	1924711	Seal - Door Top	1	
6	1924411	Center - Right Door Seal	1	
7	1924412	Center - Left Door Seal	1	
8	8003123	Mscr - TH - Phil 10-24 x 5/8" Stl ZP (for Center Seals)	6	
12A	1925013	Bracket - Door Stop L/H	1	
12B	4519740	Bracket - Door Stop R/H	1	
DOOR CHAIN COMPONENTS (ITEMS 13 - 18)				
13	4520166	Door Chain Assembly Note: Includes Items 14-18.	2	C
14	1014201	Connecting Door Rod - Short Note: Item listed for reference only. Not Sold Separately.	2	
15	1014200	Connecting Door Rod - Long Note: Item listed for reference only. Not Sold Separately.	2	
16	1015000	Turnbuckle 1/4-20 with 4" Take Up	2	
17	1021100	Roller Chain #40	2	
18	1021299	Connecting Link #40	4	
DOOR SWITCH COMPONENTS AND KITS (ITEMS 19 - 27)				
19	1949575	Wire Harness - Door Micro Switch, Mechanical Control (SGM Converted).	1	
	1804727	Wire Harness - Door Micro Switch, Digital Control.	1	
19A	1949573	Door Switch Wire Harness for Gold Corral	1	
20	1855603	High Temp Micro Switch Note: For units with Digital Controls.	2	C
	4519715	Door Micro Switch - High Temp, High Current (SGM Converted)	2	C
21A	1925101	Cam - Door Switch (cannot replace 115338)	1	
21B	115338	Cam Assembly - Door Switch (Installed on any unit built after Jan-2014, serial# 1401 2300 01225. Can be used to replace item# 21A(1925101).	1	
22A	1925001	Bracket Door Switch Right	1	
22B	114179	Bracket Door Switch (Installed on any unit built after Jan-2014, serial# 1401 2300 01225)	1	
23	8003802	Set Screw 10x 24x 3/8"	2	
24	8001203	Nut Hex Stl 8-32	2	
25*	8001502	Nut w/Washer 6-32 KPS	2	
26*	8003208	MSCR-PH-6 32x32 ST ZP	2	
27	115346	Kit, Door Switch, Mechanical Control (SGM Converted to Manual Control) <ul style="list-style-type: none"> • For any unit built before Jan-2014 / serial# 1401 2300 01225. • Kit includes items 19 (P/N 1949575), 20 (P/N 4519715), 21B, 22B. • Ref: Bulletin# GAR-04-14-AC. 	1	
	115347	Kit, Door Switch, Digital Control <ul style="list-style-type: none"> • For any unit built before Jan-2014 / serial# 1401 2300 01225. • Kit includes items 19 (P/N 1804727), 20 (P/N 1855603), 21B, 22B. • Ref: Bulletin# GAR-04-14-AC. 	1	

* NOT ILLUSTRATED

RECOMMENDED STOCK PARTS

U.S. RANGE PARTS IDENTIFICATION
Summit Series Gas Convection Oven
models SGM-100/200

DOOR COMPONENTS & ASSEMBLIES

ITEM	PART #	DESCRIPTION	QUANTITY	CRITICAL
LEFT & RIGHT DOOR COMPONENTS (Window / Solid)				
30	CK1924396	Door Handle Assembly- Black Note: Assembly includes items 31, 32, 33.	1	
31	1924195	Tube Door	1	
32	1924206	Plate - Door Handle	2	
33*	8003605	1/4-20 x 1" Carriage Bolt, Black	2	
34	1924001	Panel - Left Door (Solid)		
	1924002	Panel - Left Door (Window)	1	
	1924007	Panel - Left Door (Solid - Prison)	1	
	1924011	Panel - Left Door (Window - Prison)	1	
35	1915914	Insulation - Left Door (Window)	2	
	1915915	Insulation - Left Door (Solid)	1	
36	1010999	Oven Door Window - 3/16" Glass (Window Option)		
37	4520373	Weld Assembly Frame Left Door Extended Bearing Plate	1	
38	CK1923997	Panel - Left Door Liner (Window) Note: For both Standard and Prison Models.	1	
	1923996	Panel - Left Door Liner (Solid) Note: For both Standard and Prison Models.	1	
39	4520301	Plate - Door Bushing Extended	2	
40	1923201	Spacer - Door Hinge	2	
41	1925099	Door Hasp Bracket Weldment Assembly (Prison, Left Door)	1	
42	1925009	Plate - Door Hasp Back (Prison, Left Door)	1	
43*	8003603	3/8-16 x 3/4 Carriage Bolt (Prison, Left Door)	3	
	8001210	3/8-16 Hex Nut Stl Zinc (Prison, Left Door)	3	
	8000308	3/8 x 3/4 Flat Washer Stl Zinc (Prison, Left Door)	3	
	8000207	3/8 x 11/64 x 3/32 Split Lock Washer, Stl Zinc (Prison, Left Door)	3	
46	3077102	7-5/8" U.S. Range Nameplate (for non-Prison Door)	1	
47	1924003	Panel - Right Door (Solid)	1	
	1924008	Panel - Right Door (Solid - Prison)	1	
	1924004	Panel - Right Door (Window)	1	
48	1915916	Insulation Right Door (Window)	1	
	1915917	Insulation - Right Door (Solid)	1	
49	4520374	Weld Assembly Frame Right Door Extended Bearing Plate	1	
50	1923998	Panel - Right Door Liner (Solid) Note: For both Standard and Prison Models.	1	
	1923999	Panel - Right Door Liner (Window)	1	

* NOT ILLUSTRATED

RECOMMENDED STOCK PARTS

U.S. RANGE PARTS IDENTIFICATION
Summit Gas Convection Ovens
models SGM-100/200, SUMG-100/200

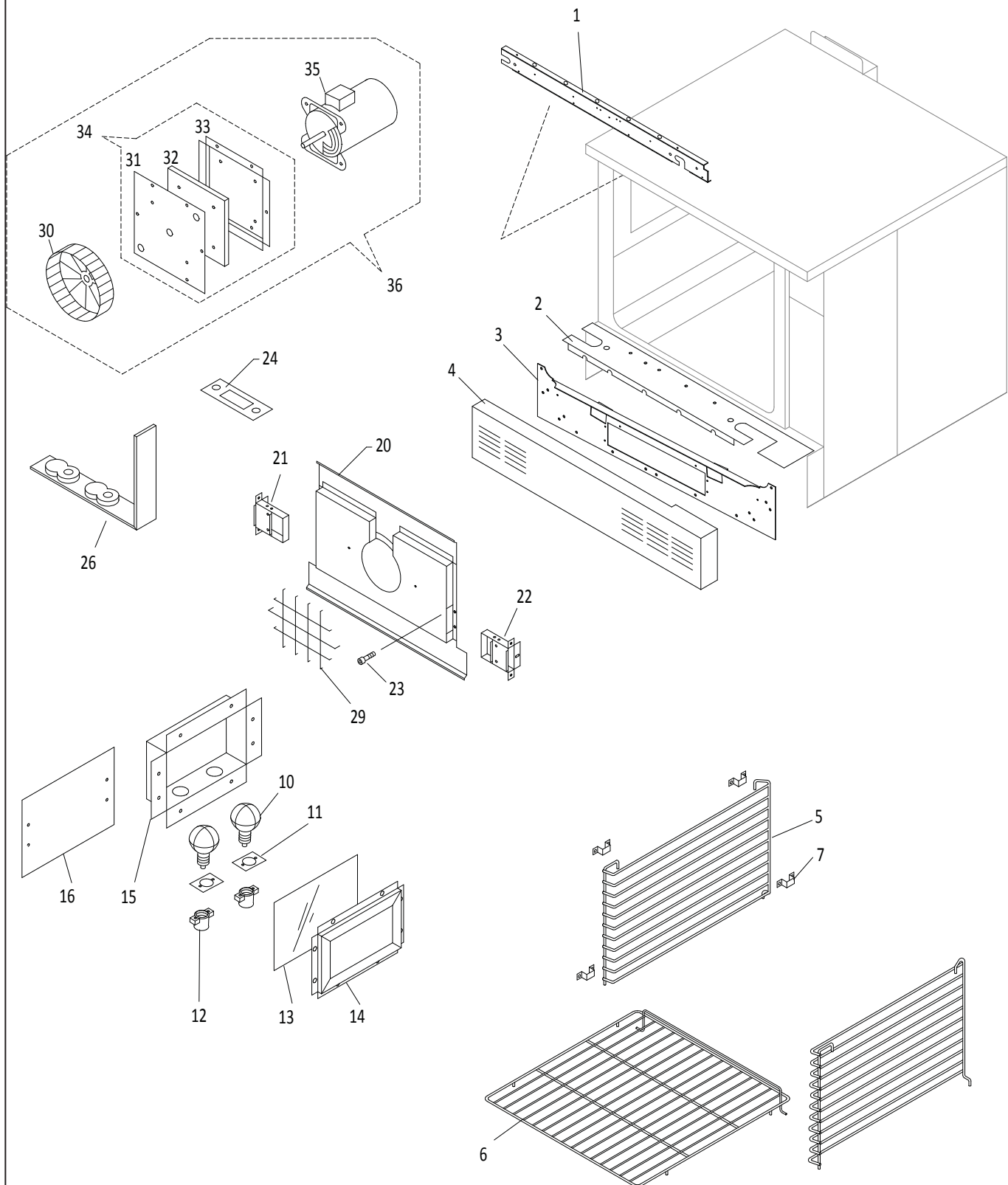
COMPLETE DOOR ASSEMBLIES

ITEM	PART #	DESCRIPTION
LEFT DOOR - COMPLETE ASSEMBLIES (includes Left Door Components and the Left Door Center Seal)		
60	4520318	USR Complete Door Kit - Left (WINDOW)
	4520320	USR Complete Door Kit - Left (SOLID)
RIGHT DOOR - COMPLETE ASSEMBLIES (includes Right Door Components and the Right Door Center Seal)		
61	4520319	USR Complete Door Kit - Right (WINDOW)
	4520321	USR Complete Door Kit - Right (SOLID)

* NOT ILLUSTRATED

RECOMMENDED STOCK PARTS

OVEN COMPONENTS



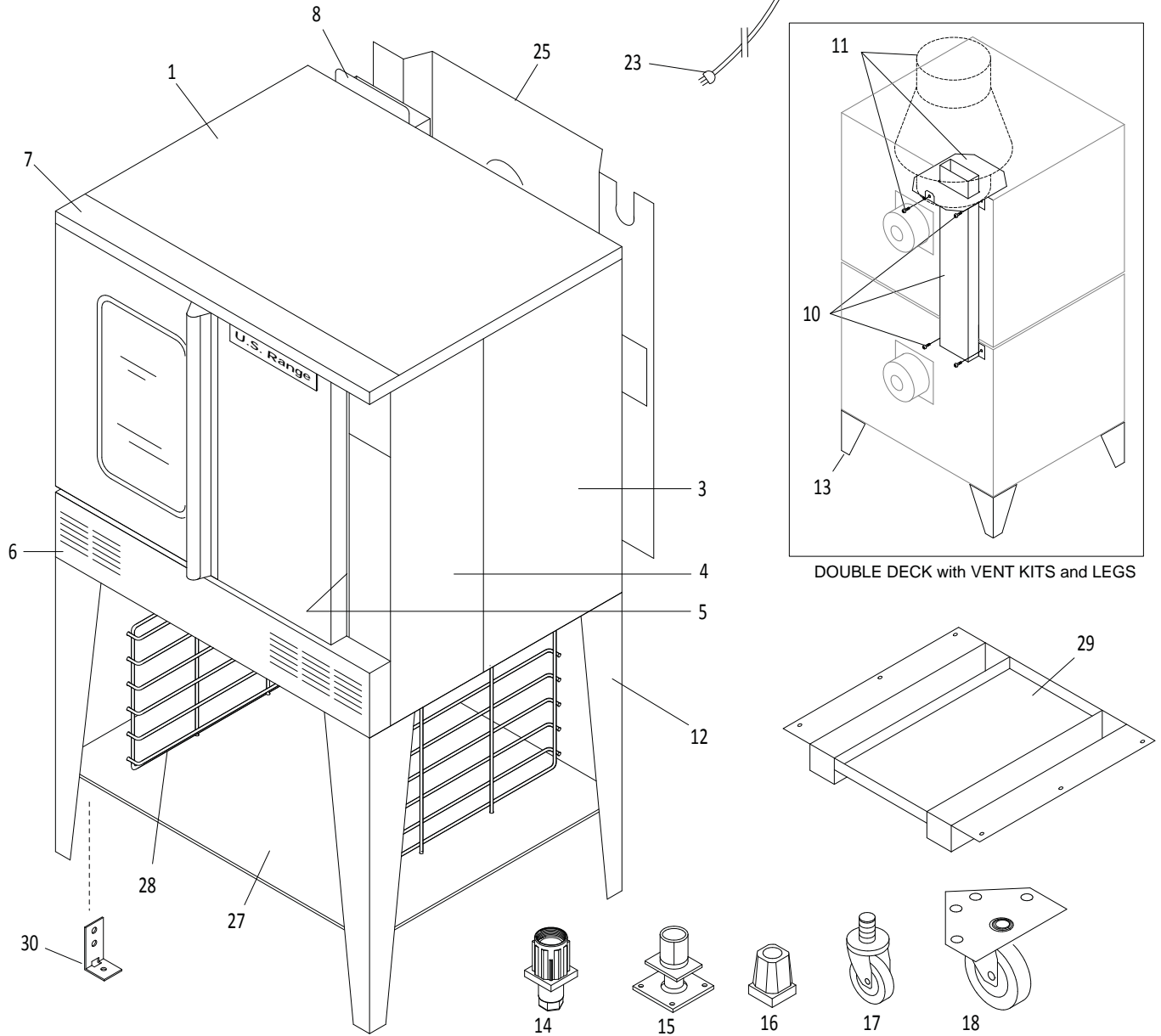
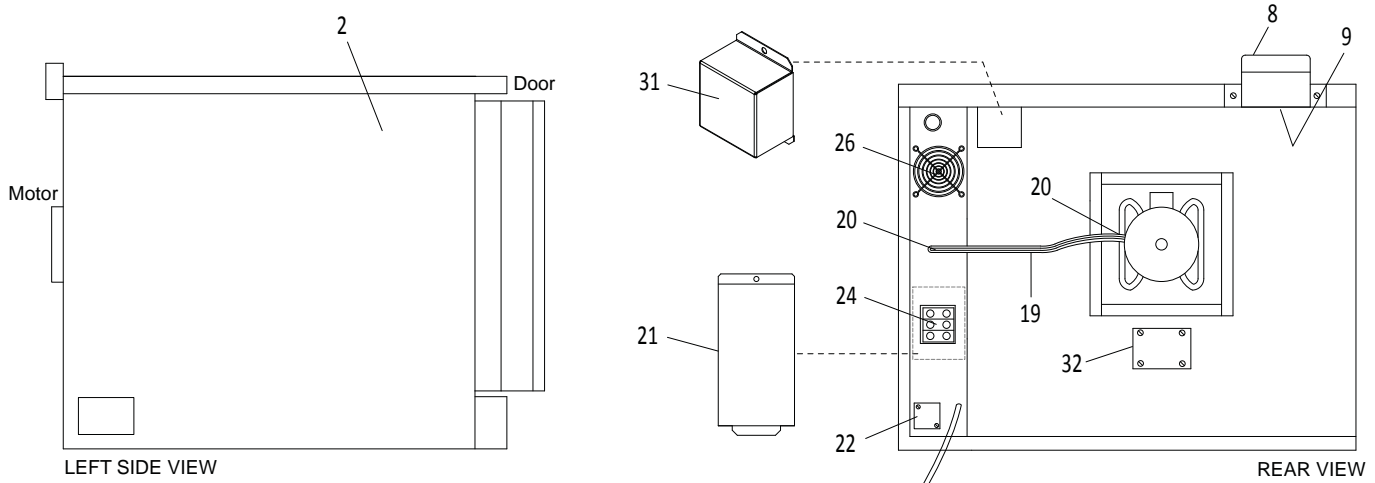
U.S. RANGE PARTS IDENTIFICATION
Summit Series Gas Convection Oven
models SGM-100/200

OVEN COMPONENTS

ITEM	PART #	DESCRIPTION	QTY	CRITICAL
1	1925201	Channel - Upper Hinge	1	
2	1925202	Channel - Lower Hinge	1	
3	1915401	Cover - Burner Box Front	1	
4	4519724	Cover - Lower Front Trim	1	
5	1922001	Oven Rack Guide - 10 Positions, Standard	2	
	1922002	Oven Rack Guide - 10 Positions, Deep	2	
6	1922211	Oven Rack - Standard	5	
	1922212	Oven Rack - Deep	5	
7	1765212	Oven Rack Clip	8	
10	1623900	Light Bulb - 40W	2	
11	1025900	Light Socket Gasket	2	
12	1025800	Lamp Socket - Porcelain	2	
13	1676901	Glass, High Temp	1	
14	1921801	Cover, Light Box	1	
15	1921902	Light Box	1	
16	1928299	Plate, Light Box Patch - Porcelain (no oven lights option)	1	
20	1802999	Fan Cover	1	
21	CK1782599	Fan Cover Duct, Left	1	
22	CK1782598	Fan Cover Duct, Right	1	
23	8004005	1/4-20 x 3/8" Allen Head Screws	4	
24	1784302	Oven Vent Cap - 60K BTU	1	
	1784303	Oven Vent Cap - 80K BTU	1	
26	1785998	Fan Duct Restrictor - 60K BTU	1	
	1785996	Fan Duct Restrictor - 80K BTU	1	
29	G02904-01P	Blower Inlet Cover	1	
30	G02952-01P	Blower Wheel Assembly Plated	1	
31	1916401	Plate, Motor Pocket Front	1	
32	1915921	Insulation - Motor Pocket	1	
33	1916402	Motor Pocket Back	1	
34	CK1916499	Motor Pocket Assembly	1	
35	1686711	Motor 3/4 HP, 115V, 2 Speed	1	
	1686712	Motor 3/4 HP, 208/240V, 2 Speed	1	
36	CK1003090	Motor Assembly - 2 Speed - 115V	1	C
	CK1003091	Motor Assembly - 2 Speed - 208/240 V	1	C
37	1783901	Fire Plate - Standard depth	1	
	1783902	Fire Plate - Deep depth	1	
38*	113361	Convection Oven Insulation Kit - Standard	1	
	113364	Convection Oven Insulation Kit - Deep Size	1	

* NOT ILLUSTRATED

RECOMMENDED STOCK PARTS



U.S. RANGE PARTS IDENTIFICATION
Summit Series Gas Convection Oven
models SGM-100/200

MAIN EXTERIOR COMPONENTS

ITEM	PART #	DESCRIPTION	QTY	CRITICAL
1	1917602	Cover - Main Top, SS	1	
2	1920201	Cover - Body Side, Left, SS	1	
3	1918701	Cover - Body Side, Right, SS	1	
4	1925901	Cover - Control Panel, Right, SS	1	
	1925999	Cover - Control Panel, Right (Prison Package)	1	
5	1925801	Cover - Control Panel, Left, SS	1	
6	4519724	Cover - Lower Front Trim, SS	1	
6A*	8003107	#10-24 x 3/4" Machine Screw-Th-Phl (for Lower Front Trim Cover)		
7	1925301	Cover - Upper Front Trim, SS	1	
7A*	8002107	#10 x 1/2" Machine Screw-Th-Phl-B Stl 2P (for Upper Front Trim Cover)		
8	1919999	Vent Assembly - Outer (Standard or Deep)	1	
9	1919399	Vent Assembly - Standard	1	
	1919398	Vent Assembly - Deep	1	
10	CK1920099	Flue Assembly for Double Deck Note: Kit includes sheet metal flue channels (part# 1920001, 1920002) and fasteners (8002106).	1	
11	1951217	Direct Vent Kit (for single or double deck) Note: Kit includes Flue Adapter Plate (1953001), Direct Vent Bell (1190100), and fasteners (8002108).	1	
12	1927199	Leg - Single Deck, SS, for Casters, approx. 19-3/4"	4	
	1927197	Leg - Single Deck, SS, for Foot Inserts, 24"	4	
13	1927195	Leg - Double Deck, SS	4	
14	1236100	1-1/2" Square Foot Insert - Chrome Plated	4	
15	1949701	Flanged Foot Insert (Optional Feature)	4	
16	1775102	Caster Insert (Single Deck Only)	4	
17	1926501	Caster - 4" Swivel without Brake, 3/4NPT	4	
	1926502	Caster - 4" Swivel with Brake, 3/4NPT	4	
18	1926531	Heavy Duty Caster - 5" Swivel without Brake, for Double Deck	4	
	1926532	Heavy Duty Caster - 5" Swivel with Brake, for Double Deck	4	
	4524736	Kit - Casters 3" Swivel without Brake (low profile) Note: Kit Includes Two Casters	1	
	4524737	Kit - Casters 3" Swivel with Brake (low profile) Note: Kit Includes Two Casters	1	
19	1029426	3/8 BX Cable 26" Long	1	
20	1028501	BX Connector - Straight	2	
21	1927898	Cover - External Terminal Block (208/240V Units)	1	
22	1928206	Plate - Line Cord Patch	1	
23	1029501	8' Long Power Cord (115V Gas Unit)	1	
24	1193900	Terminal Block - 3 Pole-Hi Voltage	1	
25	1921001	Cover - Main Back, Std SS	1	
	1921003	Cover - Main Back, Deep SS	1	
	1921089	Cover W/A - Standard Depth (Prison Package)	1	
	1921088	Cover W/A - Deep Depth Gas (Prison Package)	1	
26	1919001	Cooling Fan Guard - 120mm	1	
27	1926902	Panel - Open Base, SS	1	
28	1926702	Rack Guide - Lower, Open Base	2	
29	1926802	Support - Rack Guide, Upper	1	
30	1927001	Clip - Lower Rack Guide Support	4	
31	1916301	Probe Connector Cover	1	
32	1928204	Plate - Element Patch	1	

* NOT ILLUSTRATED

RECOMMENDED STOCK PARTS

U.S. RANGE PARTS IDENTIFICATION
Summit Gas Convection Ovens
models SGM-100/200

LIST OF WIRING DIAGRAMS & AVAILABLE KITS

WIRING DIAGRAMS

(For Reference Only - Contact Technical Service Department for assistance)

PART #	DESCRIPTION
1949501	SGM 115V 60Hz Gas Digital Control
1949502	SGM 208/240V Gas Digital Control
4522595	Conversion - Fastron Digital Control Converted to Manual Control

GAS CONVERSION KITS

(Contact Parts Department for assistance)

PART #	DESCRIPTION
4526640-2	Gas Conversion Kit for 60,000 BTU/HR Natural Gas Final Configuration (Ref: 113412)
4526640-3	Gas Conversion Kit for 80,000 BTU/HR Natural Gas Final Configuration (Ref: 113413)
4526640-1	Gas Conversion Kit for 60,000 BTU/HR Propane Gas Final Configuration (Ref: 113414)

SINGLE & DOUBLE DECK KITS (OPEN BASE, LEGS & CASTERS)

(For Reference Only - Contact Sales Department for assistance)

PART #	DESCRIPTION
1951213	Single Deck S/S Open Base & Feet Kit
1951214	Single Deck S/S Open Base & Casters
1951204	Single Deck S/S Legs & Feet Inserts
1951205	Single Deck S/S Legs and Casters
1951209	Double Deck - Kit MCO - Heavy Duty Casters
1951210	Double Deck - Kit MCO - LO-Profile Casters
1951223	Double Deck Gas W/Inserts S/S Legs
1951226	Double Deck Gas W/Casters
1951228	Double Deck Gas W/Lo Profile Casters

VENTILATION KITS

(For Reference Only - Contact Sales Department for assistance)

PART #	DESCRIPTION
1951217	Direct Connect Venting Kit

U.S. RANGE PARTS IDENTIFICATION

BULLETINS

(for all full size convection ovens)

BULLETIN #	SUBJECT	DATE
B-97-2009-S	New Axial Cooling Fan Install Instructions	SEP 17/09
GAR-03-12-AIC	Master 200 Series Controller P/N 1955501	FEB 8/12
BI-06-2012-P	Parts Department Notification: Controllers - Important Information. See new bulletin GAR-02-14-AC	FEB 22/12
GAR-11-12-AC	Convection Ovens, New Elreha Controller Critical & Recommended Stock Parts	SEP 21/12
GAR-06-13-AIC	Error Messages and Description, Elreha Digital Controls	SEP 6/13
GAR-08-13-AIC	Convection Oven Keypad Test Points Chart (Elreha Digital Control)	OCT 16/13
GAR-02-14-AC	Convection Oven Digital Controller Conversion Kits Availability Chart	JAN 28/14
GAR-04-14-AC	Convection Oven Door Switch Replacement Kits	FEB 14/14

REVISION HISTORY (SGM)

REV#	PAGE	ITEM#	NOTES	DATE
6	11	2, 4A	Added new overlay 115268. Overlays 4529267, 4529266 are still available..	FEB 27/14
	7	2, 4A	Added new overlay 115268. Overlays 1908509, 1908511 are still available..	
	25		Added bulletins	
	24		Removed Canopy Diverter Kit 1951229 from Available kits as NLA.	
	16	27	New door switch kits; New bracket for door switch; new CAM assebmly for door switch. PCC# 130223.	
	4		Created new section: Fastron Controller Replacement Kit Option Chart. Modified previous illustrations. No change to Fastron kits from 2012. New Cooling Kits for Elreha, PCC 130205.	

 ***U.S. Range***[®]

 ***Manitowoc***