



INSTALLATION AND OPERATION MANUAL

MASTER SERIES INFRA-RED SALAMANDER BROILER M/MS/MST (SRC, SR16)



Français Page 12

FOR YOUR SAFETY:
DO NOT STORE OR USE GASOLINE
OR OTHER FLAMMABLE VAPORS OR
LIQUIDS IN THE VICINITY OF
THIS OR ANY OTHER
APPLIANCE

WARNING:
IMPROPER INSTALLATION, ADJUSTMENT,
ALTERATION, SERVICE OR MAINTENANCE
CAN CAUSE PROPERTY DAMAGE, INJURY,
OR DEATH. READ THE INSTALLATION,
OPERATING AND MAINTENANCE
INSTRUCTIONS THOROUGHLY
BEFORE INSTALLING OR
SERVICING THIS EQUIPMENT

PLEASE READ ALL SECTIONS OF THIS MANUAL AND RETAIN FOR FUTURE REFERENCE.

THIS PRODUCT HAS BEEN CERTIFIED AS COMMERCIAL COOKING EQUIPMENT AND MUST BE INSTALLED BY PROFESSIONAL PERSONNEL AS SPECIFIED.

IN THE COMMONWEALTH OF MASSACHUSETTS THIS PRODUCT MUST BE INSTALLED BY A LICENSED PLUMBER OR GAS FITTER. APPROVAL NUMBER: G-1-07-05-28

For Your Safety:
Post in a prominent location, instructions to be followed in the event the user smells gas. This information shall be obtained by consulting your local gas supplier.

Users are cautioned that maintenance and repairs must be performed by a Garland authorized service agent using genuine Garland replacement parts. Garland will have no obligation with respect to any product that has been improperly installed, adjusted, operated or not maintained in accordance with national and local codes or installation instructions provided with the product, or any product that has its serial number defaced, obliterated or removed, or which has been modified or repaired using unauthorized parts or by unauthorized service agents. For a list of authorized service agents, please refer to the Garland web site at <http://www.garland-group.com>. The information contained herein, (including design and parts specifications), may be superseded and is subject to change without notice.

Garland Commercial Ranges, Ltd.
1177 Kamato Road, Mississauga, Ontario L4W 1X4 CANADA
Phone: 905-624-0260
Fax: 905-624-5669

General Inquires 1-95-624-0260
USA Sales, Parts and Service 1-800-424-2411
Canadian Sales 1-888-442-4526
Canada or USA Parts/Service 1-800-427-6668



IMPORTANT INFORMATION

WARNING:

This product contains chemicals known to the state of California to cause cancer and/or birth defects or other reproductive harm. Installation and servicing of this product could expose you to airborne particles of glass wool/ceramic fibers. Inhalation of airborne particles of glass wool/ceramic fibers is known to the state of California to cause cancer. Operation of this product could expose you to carbon monoxide if not adjusted properly. Inhalation of carbon monoxide is known to the state of California to cause birth defects or other reproductive harm.

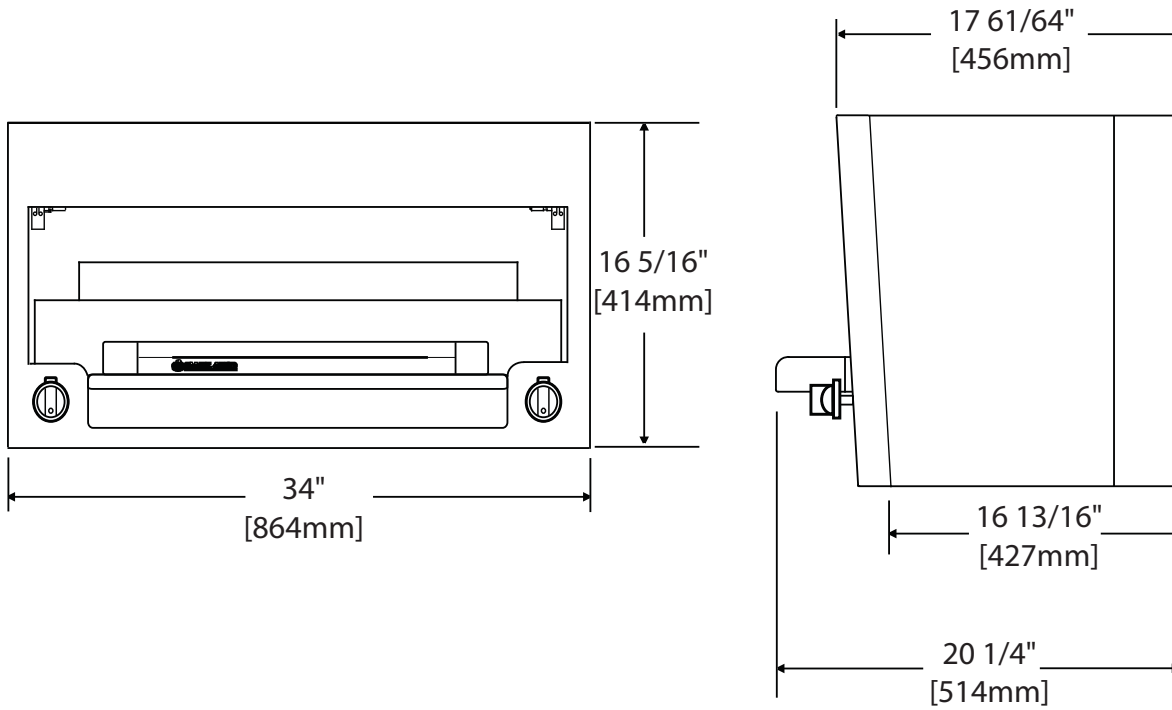
Keep appliance area free and clear of combustibles.

**For Australia "TO BE INSTALLED BY AN AUTHORISED PERSON IN ACCORDANCE WITH AS5601,
LOCAL AUTHORITY AND APPLICABLE LOCAL STATUTORY REGULATIONS AND MANUFACTURER'S
INSTRUCTIONS"**

TABLE OF CONTENTS

IMPORTANT INFORMATION.....	2	OPERATION.....	8
DIMENSIONS AND SPECIFICATIONS	4	M, MS Models	8
Suffix Definitions.....	5	Pilot Lighting Instructions.....	8
INTRODUCTION.....	5	Main Burner Operation	8
Product application	5	Shut Down.....	8
Rating Plate.....	5	MST Models	8
INSTALLATION	6	Operating Controls.....	8
Clearances.....	6	Lighting Instructions	8
Location.....	6	Shut Down.....	9
Installation Instructions for		All Models	9
Range Mount Salamander.....	6	Burner Ignition.....	9
Wall Mounted Salamanders	6	Main burner Adjustments.....	9
Statutory Regulations	6	Burn off Period	9
Gas Supply	7	Operating Suggestions	9
Ventilation and Air Supply.....	7	Energy Conservation	9
Testing And Adjustments.....	7	Safety Precautions.....	9
		MAINTENANCE AND CLEANING	10
		Daily	10
		Monthly.....	10
		Exterior Cleaning	10
		Stainless Steel	10
		SERVICING.....	11
		SAFETY.....	11

DIMENSIONS AND SPECIFICATIONS



PRODUCT	MSR16	MRSC
Width: In(mm)	34(864)	34(864)
Depth: In(mm)	20-1/4(514)	20-1/4(514)
Height: In(mm)	35-5/8(965)	17(432)
INPUT:BTU/hr(kw)(Natural Gas)	28,000 (8.20)	28,000 (8.20)
Shipping Wt:(LB/KG)	170/78	135/61

INSTALLATION NOTES		
Combustible Wall Clearances ¹	Entry Clearances	Operating Pressure
Sides: 0" Back: 0"	Crated: 26-3/4" (680mm) Uncrated: 21" (533mm)	Natural: 6" WC (15mbar) Propane: 11" WC (28mbar)

¹ For installations in non-combustible locations only.

NOTE: Data applies only to North America

Gas input ratings shown here are for installations up to 2,000 ft. (610m) above seal level. Specify altitudes over 2,000 ft.

Commercial cooking equipment requires an adequate ventilation system. For additional information, refer to the National Fire Protection Association's standard NFPA96. "Vapor Removal from Cooking equipment" (for North American only)

Please specify gas type when ordering.

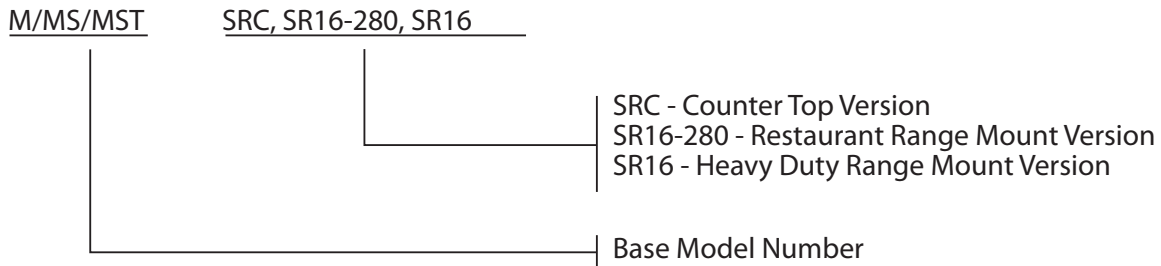
DIMENSIONS AND SPECIFICATIONS continued

MODEL NUMBER	GAS TYPE			
	Natural Gas		Propane	
	Orifice	Input (BTU/Hr)	Orifice	Input (BTU/Hr)
(M,MS,MST)(SRC, SR16)	47F	14,000	1.1mm	13,000

Australia Only Nominal Gas Consumption & Injector Sizes

MODEL NUMBER	GAS TYPE					
	Natural Gas			Propane		
	Orifice	Input (MJ/Hr)	Gas Pressure (kPa)	Orifice	Input (MJ/Hr)	Gas Pressure (kPa)
(MST)(SRC, SR16)	2.4mm	21.0	1.0	1.4mm	21.0	2.5

Suffix Definitions



*MSTSRC and MSTS16 models are "CE" approved.

INTRODUCTION

IMPORTANT: Read these instructions carefully before attempting to operate the appliance.

Garland/U.S. Range products are not approved or authorized for home or residential use, but are intended for commercial applications only. Garland / U.S. Range will not provide service, warranty, maintenance or support of any kind other than in commercial applications.

Your new equipment must be installed and adjusted by a competent person in accordance with the law. Failure to install appliances correctly could lead to prosecution. It is in your own interests and that of safety to ensure that the law is complied with. Your Garland dealer is well qualified to provide this service.

Like any other fine precision built piece of equipment, it should be given regular care and maintenance. Periodic inspections by your dealer or a qualified service company are recommended to check temperatures, burner adjustments and ensure moving parts are operative. Wherever possible avoid overheating idle equipment, as this is the primary cause for increased service cost.

"Regular Maintenance Ensures Peak Performance."

Product application

The Garland infra-red salamander offers broiling for a wide variety of products such as steak, lobster, fish, onion soup, casseroles, garlic bread and hamburgers. The oven-fire infra-red design provides for quick preheat and efficient, uniform production. The tilting rack feature allows for an easy view broiling.

Rating Plate

The rating plate is located behind the drip tray. In the event you have any questions concerning the installation, use care or service of this or any other Garland product, write or call our Product Service Department. When corresponding with the factory or your equipment dealer regarding service problems or replacement parts, be sure to refer to the particular unit by the correct model number (including prefix and suffix letters and numbers) and the serial or code number. The rating plate affixed to the unit contains this information.

For proper operation, the Fuel information on the data plate of you new equipment must match your fuel supply.

INSTALLATION

Clearances

Models (M, MS, MST)(SRC, SR16) are for installation in non-combustible locations only with zero (0") sides and rear clearance.

NOTE: Adequate clearance must be provided for servicing and proper operation.

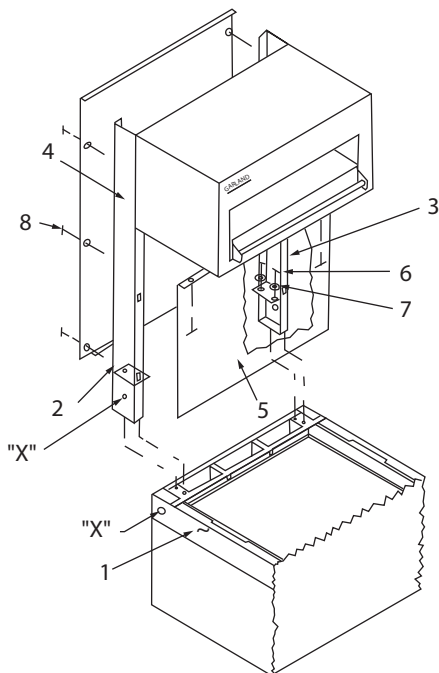
Location

Counter salamanders should be installed on a firm, smooth and level base designed to withstand the weight of the fully laden appliance. Any openings in the wall behind or beside the appliance must be sealed.

Installation Instructions for Range Mount Salamander

**SAFETY
FIRST**

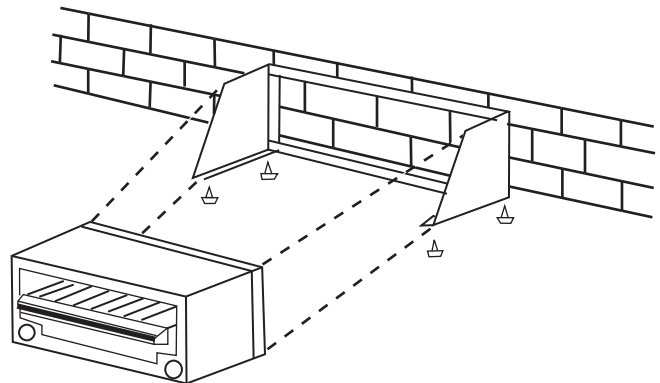
**USE PROPER
LIFTING TECHNIQUES**



1. Remove the front panel (5) by removing two (2), sheet metal screws from the underside of the salamander.
2. With the back panel, (4), still attached to the uprights (2&3) drop the uprights into the rectangular openings at the rear of the range (1).
3. Fasten the uprights, (2 & 3) to the range with four, (4), 5/16" x 18 bolts and flat washers. (6&7)
4. If the range is in a battery line-up, fasten units together at the hole marked "X" with 1/4" x 20 bolts, nuts and washers.
5. Reattach the front panel (5) to the salamander with sheet metal screws previously removed.

Wall Mounted Salamanders

1. Each gas appliance must be located with respect to building construction and other equipment so as to permit access to the appliance, Such access and clearance may be necessary for servicing and cleaning.
2. Salamanders intended for wall mounting are shipped with the mounting kit already attached.
3. Provisions for gas connections, bottom or rear should be taken into consideration.



Statutory Regulations

When checking gas pressure be sure that all other equipment on the same gas line is on. A pressure regulator is supplied as standard equipment with Garland salamanders. Installation must conform to the National Fuel Gas Code ANSI Z223.1 or latest edition and/or local code to assure safe and efficient operation.

INSTALLATION continued

In Canada, the installation must comply with CAN/CGA-B149.1 Natural Gas Installation Code or CAN/CGA-B149.2 Propane Gas Installation Code, and local codes where applicable.

NOTE: The appliance must be isolated from the gas supply piping system by closing its individual manual shut-off (not supplied by the manufacturer) during any testing of the gas supply piping system at test pressures equal to or less than 1/2 PSIG (3.45 kPa).

Gas Supply



Before assembly and connection check the gas supply.

1. The type of gas for which the unit is equipped is stamped on the data plate located behind the drip tray. Connect a unit stamped "NAT" only to natural gas; connect those stamped "PRO" only to propane gas.
2. If it is a new installation have the gas authorities check the meter size and piping to assure that the unit is supplied with sufficient amount of gas pressure required to operate the unit.
3. If it is an additional or replacement equipment have the gas authorities check the pressure to make certain that the existing meter and piping will supply fuel to the unit with not more than 1/2" water column pressure drop.

WARNING: Check gas connections for leaks. Use a soap solution or similar means. **DO NOT USE AN OPEN FLAME.**

NOTE: This appliance is not recommended for residential installation.

Ventilation and Air Supply

Proper ventilation is highly important for good operation. The ideal method of ventilation for a Salamander broiler is the use of a properly designed canopy hood, which should extend six (6", 152 mm) beyond all sides of the appliance and six (6) feet six (6) inches (1981 mm) from the floor.

A strong exhaust fan will create a vacuum in the room. For an exhaust system to work properly, replacement air must enter the room in which the vent is located. The amount of air that is exhausted must equal the amount entering, (make-up air).

All gas burners and pilots need sufficient air to operate and large objects should not be placed in front or on the top of the broiler, which would obstruct the airflow through the front of the broiler.

For your safety **NEVER** place any type of object on top of the salamander broiler or cheese meters. The top of the broiler will exceed 1000°F. It could cause severe burns or fire and obstruct ventilation.

Testing And Adjustments

All fittings and pipe connections must be tested for leaks. Use approved gas leak detectors, soap solution or equivalent, checking over and around the fittings and pipe connections. **DO NOT USE A FLAME!** Accessibility to all gas lines and fittings require that valve panel(s), lower front panel(s) be removed. It may be necessary to remove or at least raise and secure top grates. All parts removed (including fasteners) should be stored safely for re-use.

Testing

1. Be sure all valves are in the "OFF" position
2. Turn on the main gas supply valve. Light all top section pilots.
3. Leak test all valves and fittings as described in the procedure above. Correct any leaks as required and recheck.
4. Shut off all gas valves.

All units are tested and adjusted at the factory. However, burners and pilots should be checked at installation and adjusted if necessary.

OPERATION

NOTE: Ensure the gas supply to the appliance is turned "ON". During the initial ignition cycle, air must be purged from the gas line and thus it may take one to two minutes for the pilot burner to ignite.

M,MS Models

Pilot Lighting Instructions

1. The in-line service shut-off valve should be in the "ON" position.
2. With a lighted taper light the pilots which are located at the rear of the main burner.
3. The pilot flame should be approximately 7/8" (22 mm) long for proper ignition of the burners. The pilot adjustment valve is located by sliding the drip tray forward. The adjustment valves are located on the manifold pipe, which runs horizontally across the back of the unit, behind the drip tray, one is at the left rear and the other is at the right rear.
4. To adjust the pilot light, turn the brass screw counter-clockwise to increase the pilot flame, and clockwise to decrease the flame.

NOTE: No more than 7/8" (22 mm) pilot flame length should be required. Too high a setting will cause the flame to lift off or will create excessive carboning. Do not adjust the pilot flame lower than 7/8" (22mm) long because this can cause delayed ignition at the burner. The delayed ignition could cause the burner tiles to crack, in that case the burner would have to be replaced.

Main Burner Operation

1. Turn the main burner to the "MAX" position.
2. Immediately check ignition of the burner.

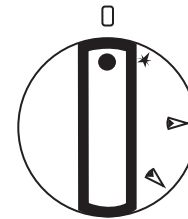
CAUTION: Should ignition fail after five (5) seconds, turn the valve off and wait five (5) minutes before trying again. The pilot gas is not interrupted automatically, it is the responsibility of the operator to check the ignition of the burners immediately after the burner valve has been turned on.

Shut Down

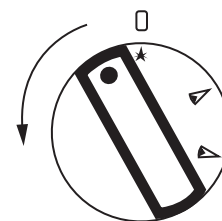
1. Turn all valves to the "OFF" position by rotating the knob clockwise 1/4 turn.
2. If the unit is to be shut down for an extended period of time close the inline gas valve.

MST Models

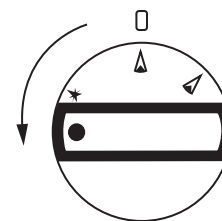
Operating Controls



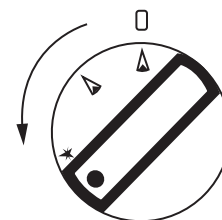
OFF



IGNITION



MAX



MIN

Lighting Instructions

1. Push in the tap and turn it counter-clockwise to the Ignition Position "★"
2. Holding the tap fully in, light the pilot with a match or taper.

OPERATION continued

3. When the pilot is lit, continue to hold the tap fully in for 20 seconds, then release it. IF the pilot goes out, wait for five (5) minutes, and then repeat from step 1.
4. When the pilot is established, push the tap in again and turn it counter-clockwise to the full flame position "▲" thus lighting the main burner.
5. For low flame or simmer, push the tap in and turn it counter-clockwise to the low flame "▲" position.
6. To shut the burner off, turn the dial to the "●" symbol and the safety device will disengage within 60 seconds.

Shut Down

1. Turn all valves to the "OFF" position by rotating the knob clockwise 1/4 turn.
2. If the unit is to be shut down for an extended period of time, close the inline gas valve.

All Models

Burner Ignition

When ignition has been accomplished, a blue flame will cover the surface of the ceramics for 10-15 seconds. This haze will disappear and the burner rod will glow red. After the burners have operated for several minutes turn the valve to "MIN". The burner rods will no longer glow red and the flame travels back and forth on the face of the burner ceramics.

Main burner Adjustments

All Salamander are provided with a fixed burner orifice to provide 20,000 BTU/Hr at the "MAX" setting on natural gas supplied at 6.0" W/C pressure and 20,000 BTU/Hr at the "MAX" setting on propane gas supplied at 10.0" W/C.

The "MIN" setting is adjustable and should be set as follows:

1. Set the burner valve knob to "MIN".
2. Insert a thin bladed screwdriver into the valve stem to engage the slot inside the stem. Turn Clockwise to decrease the rate and counter clock-wise to increase.

Proper adjustment is attained at the point where the burner rods no longer glow and the flame travels back and forth on the face of the ceramics.

This adjustment has been factory pre-set however, with changing pressures this adjustment and pilot adjustment may need re-done after installation. This is not considered a manufacturing defect and is not warrantable.

Burn off Period

Many parts used in the manufacturing of commercial equipment have a thin protective coating of machine oil. This oil should be burned off before the equipment is used for food preparation.

After all start-up and safety checks have been completed, turn the burner valve to the "MAX" position. A Smoke (a bluish haze) will be produced. This process can take several hours and can be completed over a few days.

Operating Suggestions

1. Clean the racks as soon as possible after cooking with tomato or vinegar based products that have a high acid content. These foods can cause pitting of the rack surface.
2. Allow the salamander to preheat before adding product.
3. Drain and clean the drip tray frequently. Excessive oil drain off in the pan can cause spillover.

Energy Conservation

Do not waste energy by leaving controls at high temperature settings during idle periods. Lower setting will keep broiler warm and ready for the next use period. Reset burner valve knob as required for heavy load periods.

Safety Precautions

It is the responsibility of the supervisor or equivalent person to ensure that users of this equipment wear suitable protective clothing and to draw attention to the fact that some parts will by necessity become very hot and will cause burns if touched accidentally.

For your safety never place any type of object on top of the salamander broiler. The top of the broiler will exceed 1000°F. It could cause severe burns and/or fire and also obstruct ventilation.

MAINTENANCE AND CLEANING

A program of proper cleaning techniques will aid in continued trouble free operation of this or any quality equipment.

Daily

1. Remove and clean grid rack. Grid racks should be wiped clean while still warm, using a heavy cloth or other grease absorbing material to remove grease and burnt food before they burn into the grid. Remove burnt materials, such as carbonized grease or food, with a stiff wire brush. **DO NOT USE ANY TYPE OF STEEL WOOL.** Small particles of steel may be left on the grid surface and get into food products. Grid racks should be washed thoroughly using a wire brush and a hot, mild detergent or soap solution. Rinse with clear, warm water.
2. With the rack removed clean the interior of the unit with a damp cloth.
3. Clean out the grease container.

Monthly

Lubricate valves and bearings as required. Due to the usual location of the broiler which is mounted above a range with open tops, the heat from the open top will cause the lubrication grease inside the valves to dry out. When you notice that the valves are becoming harder to turn, it is then time to have them greased. We suggest an authorized service agent who is familiar with the appliance and working with natural and propane gas, perform this type of work.

Exterior Cleaning

Establish a regular schedule. Any spills should be wiped off immediately.

Wipe exposed, cleanable surface when cool with a mild detergent and hot water. Stubborn residue spots may be removed with a lightweight non-metallic scouring pad. Dry thoroughly with a clean cloth.

Stainless Steel

Stainless steel should be cleaned using a mild detergent, a soft cloth and hot water. If it is necessary to use a non-metallic scouring pad, always rub in the direction of the grain in the metal to prevent scratching. Use a water based stainless steel cleaner (such as Drackett Twinkle), if you want a high shine. Wash a small area at a time and rinse the washed area with a clean sponge dipped into a disinfectant and wipe dry with a soft cloth before it can dry.

Use only stainless steel, wood or plastic tools to scrape off heavy deposits of grease or oil. Do not use ordinary steel scrapers or knives, as particles of iron may become embedded and rust. **NEVER USE STEEL WOOL.**

SERVICING

To ensure efficient and safe operation of the appliance it is recommended that servicing be carried out at regular interval, the frequency of which will vary, depending on the

installation. Servicing must be carried out by competent persons in accordance with the law.

SAFETY

It is essential that the instructions in this booklet are strictly followed for the safe and economical operation of the equipment. If it is known or suspected that a fault exists on the appliance then it must not be used until the fault has been rectified by a competent person.



INSTRUCTIONS D'INSTALLATION ET D'UTILISATION SALAMANDRES À INFRAROUGE SÉRIE MASTER MODÈLES M/MS/MST (SRC, SR16)



POUR VOTRE SÉCURITÉ:
NE PAS STOCKER NI UTILISER D'ESSENCE OU
D'AUTRES VAPEURS OU LIQUIDES
INFLAMMABLES À PROXIMITÉ DE CET
APPAREIL OU DE TOUT AUTRE APPAREIL

AVERTISSEMENT:
UNE INSTALLATION, DES RÉGLAGES, DES
MODIFICATIONS, DES RÉPARATIONS OU UN
ENTRETIEN MAL FAITS PEUVENT CAUSER
DES DOMMAGES MATÉRIELS, DES
BLESSURES OU LA MORT. LIRE
SOIGNEUSEMENT LES INSTRUCTIONS
D'INSTALLATION, D'UTILISATION ET
D'ENTRETIEN AVANT D'INSTALLER OU DE
RÉPARER L'ÉQUIPEMENT

LIRE TOUTES LES SECTIONS DU PRÉSENT
MANUEL ET LE CONSERVER POUR S'Y
REPORTER ULTÉRIEUREMENT.

CE PRODUIT A ÉTÉ HOMOLOGUÉ EN TANT
QU'ÉQUIPEMENT PROFESSIONNEL DE CUISSON ET
DOIT ÊTRE INSTALLÉ PAR DU PERSONNEL
PROFESSIONNEL TEL QUE SPÉCIFIÉ.

DANS L'ÉTAT DU MASSACHUSETTS, CE PRODUIT
DOIT ÊTRE INSTALLÉ PAR UN PLOMBIER OU UN
MONTEUR D'INSTALLATION AU GAZ CERTIFIÉ.
NOMBRE D'APPROBATION : G-1-07-05-28

Pour votre sécurité:

Placer dans un endroit bien en vue les
instructions à suivre en cas d'odeur de gaz
détectée par l'utilisateur. Cette information peut
être obtenue auprès du fournisseur de gaz local.

L'attention des utilisateurs est attirée sur le fait que l'entretien et les réparations doivent être effectués par un agent d'entretien autorisé par Garland utilisant des pièces de rechange d'origine Garland. Garland n'aura aucune obligation en ce qui concerne n'importe quel produit mal installé, réglé, utilisé ou qui n'aurait pas été entretenu conformément aux codes nationaux et locaux ou aux instructions d'installation fournies avec le produit ou n'importe quel produit dont le numéro de série aurait été mutilé, oblitéré ou supprimé ou qui aurait été modifié ou réparé avec des pièces non autorisées ou par des agents d'entretien non autorisés. Pour obtenir la liste des agents de service autorisés, consulter le site web de Garland à : <http://www.garland-group.com>. Les renseignements contenus dans le présent document (y compris la conception et les spécifications des pièces) peuvent être remplacés ou modifiés sans préavis.

GARLAND COMMERCIAL RANGES, LTD.
1177 Kamato Road, Mississauga, Ontario L4W 1X4
CANADA
Téléphone: 905-624-0260
Télécopieur: 905-624-5669

INFORMATIONS IMPORTANTES

AVERTISSEMENT:

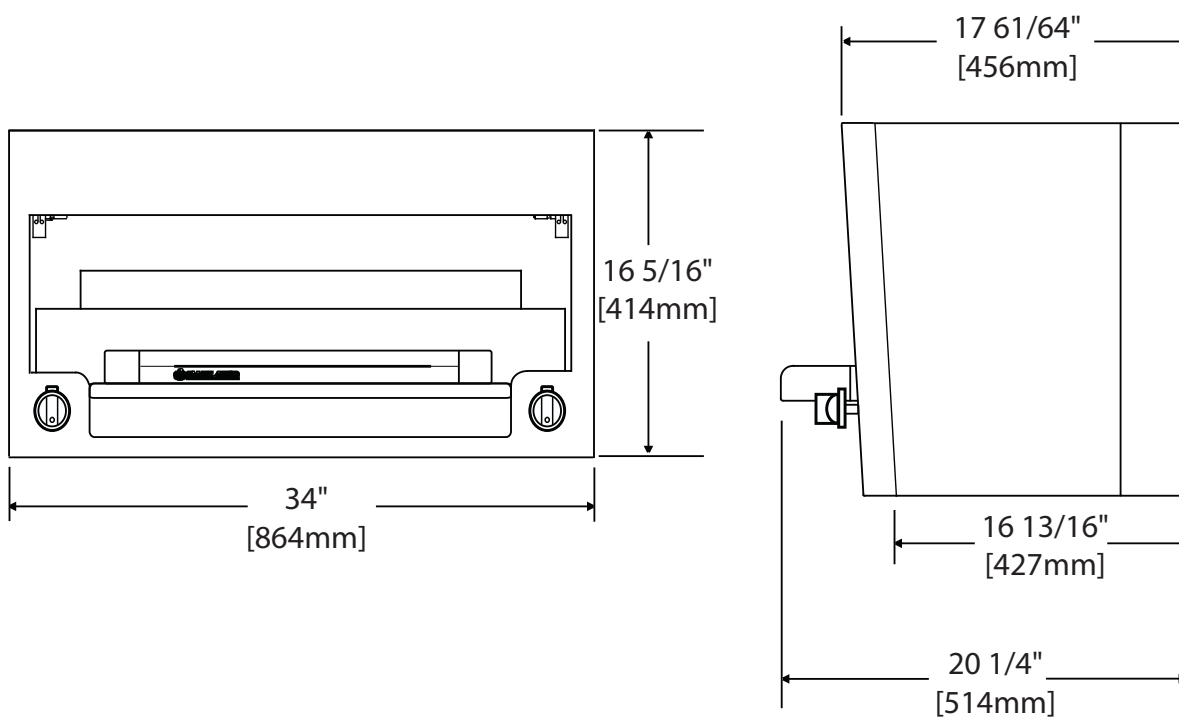
Ce produit contient des produits chimiques reconnus par l'état de Californie comme causant le cancer et/ou des malformations congénitales ou d'autres problèmes de reproduction. L'installation et l'entretien de ce produit peut vous exposer aux poussières de laine de verre/fibres céramiques. L'inhalation de ces particules de laine de verre ou de fibres céramiques est reconnue par l'état de Californie comme causant le cancer. L'utilisation de ce produit peut vous exposer au monoxyde de carbone en cas de mauvais réglage. L'inhalation de monoxyde de carbone est reconnue par l'état de Californie comme pouvant causer des malformations congénitales ou d'autres problèmes reproductifs.

Maintenir les abords de l'appareil dégagés et ne pas y stocker de produits combustibles.

TABLE DES MATIÈRES

INFORMATIONS IMPORTANTES	13	FONCTIONNEMENT	19
DIMENSIONS ET SPÉCIFICATIONS	15	Modèles M, MS	19
Australie Seulement nominale Consommation de Gaz & injecteur Tailles	16	Instructions D'allumage des Veilleuses. ...	19
Définitions des suffixes	16	Fonctionnement du Brûleur Principal	19
INTRODUCTION	16	Arrêt	19
INSTALLATION	17	Modèles MST	19
Dégagements	17	Commandes	19
Emplacement	17	Instructions D'allumage	19
Instructions D'installation D'une Salamandre Montée Sur Cuisinière.	17	Arrêt	20
Salamandres à Montage Mural	17	Tous Les Modèles	20
Réglementation Légale	17	Allumage Des Brûleurs	20
Alimentation En Gaz	18	Réglages du Brûleur Principal	20
Ventilation Et Alimentation En Air.	18	Période de Brûlage	20
Essais Et Réglages	18	Suggestions D'utilisation	20
		Économies D'énergie	20
		Précautions De Sécurité	20
		ENTRETIEN ET NETTOYAGE	21
		Chaque Jour	21
		Chaque Mois	21
		Nettoyage Extérieur	21
		RÉPARATION	22
		SÉCURITÉ	22

DIMENSIONS ET SPÉCIFICATIONS



PRODUIT	MSR16	MRSC
Largeur : Po (mm)	34(864)	34(864)
Profondeur : Po (mm)	20-1/4(514)	20-1/4(514)
Hauteur : Po (mm)	35-5/8(965)	17(432)
DÉBIT CALORIFIQUE : BTU/h (kw) (Gaz naturel)	28,000 (8.20)	28,000 (8.20)
Pds d'expédition : (LB/KG)	170/78	135/61

NOTES D'INSTALLATION		
Dégagements Par Rapport Aux Murs Combustibles ¹	Dégagements D'entrée	Pression de Fonctionnement
Côtés : 0 po Arrière : 0 po	En caisse : 26 -3/4 po (680 mm) Déballé : 21 po (533 mm)	Gaz naturel : 6 po CE (15 mbar) Propane : 11 po CE (28 mbar)

¹ Pour installation dans des emplacements incombustibles uniquement.

REMARQUE: Données applicables à l'Amérique du Nord uniquement

Les débits calorifiques du gaz indiqués ici s'appliquent à des altitudes inférieures à 2 000 pi (610 m) au-dessus du niveau de la mer. Prière de spécifier les altitudes supérieures à 2 000 pieds.

Les équipements de cuisson commerciaux ont besoin d'un système de ventilation adéquat. Pour plus de renseignements, consulter la norme de la National Fire Protection Association NFPA96. « Vapor Removal from Cooking equipment » (pour l'Amérique du Nord seulement)

Spécifier le type de gaz lors de la commande.

DIMENSIONS ET SPÉCIFICATIONS suite

NUMÉRO DE MODÈLE	TYPE DE GAZ			
	Gaz Naturel		Propane	
	Orifice	Débit Calorifique (BTU/Hr)	Orifice	Débit Calorifique (BTU/Hr)
(M,MS,MST)(SRC, SR16)	47F	14,000	1.1mm	13,000

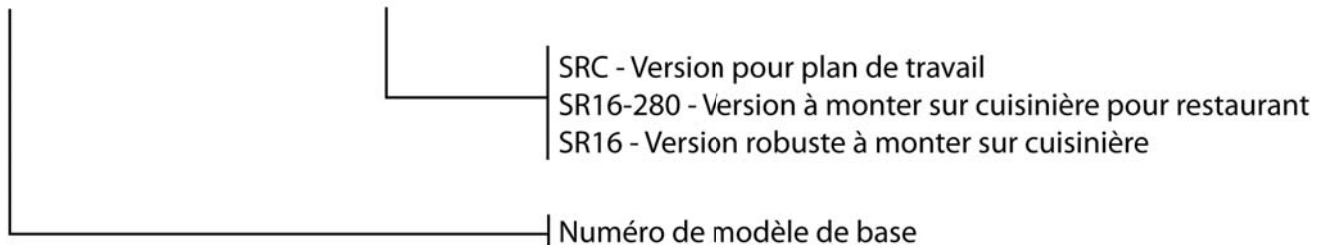
Australie Seulement nominale Consommation de Gaz & injecteur Tailles

NUMÉRO DE MODÈLE	TYPE DE GAZ					
	Gaz Naturel			Propane		
	Orifice	Débit Calorifique (MJ/Hr)	pression de gaz(kPa)	Orifice	Débit Calorifique (MJ/Hr)	pression de gaz(kPa)
(MST)(SRC, SR16)	2.4mm	21.0	1.0	1.4mm	21.0	2.5

Définitions des suffixes

M/MS/MST

SRC, SR16-280, SR16



Les modèles MSTSRC et MSTSR16 sont approuvés "CE"

INTRODUCTION

IMPORTANT : Lire soigneusement les instructions suivantes avant d'essayer d'utiliser l'appareil.

Les produits Garland/U.S. Range ne sont pas agréés ni autorisés pour une utilisation personnelle ou résidentielle, mais sont destinés à des applications commerciales seulement. Garland / U.S. Range n'offre pas de services de réparation, garantie, entretien ou soutien de n'importe quelle sorte pour des applications autres que commerciales.

Cet équipement neuf doit être installé et réglé par une personne compétente, conformément à la loi. Le fait de ne pas installer correctement des appareils électriques pourrait entraîner des poursuites. Il est de votre propre intérêt et sécurité de vous assurer que la loi est respectée. Votre concessionnaire Garland est qualifié pour vous fournir ce service.

Comme tout autre équipement fabriqué avec précision, il devra être nettoyé et entretenu de façon régulière. Des inspections périodiques par le concessionnaire ou une entreprise d'entretien qualifiée sont recommandées pour vérifier les températures, les réglages des brûleurs et s'assurer que les pièces mobiles fonctionnent correctement. Dans la mesure du possible, éviter de surchauffer l'équipement inutilisé, car cela représente la principale cause de coûts de réparation. **« Un entretien régulier assure des performances optimales. »**

Application Des Produits

La salamandre à infrarouge Garland permet de rôtir toute une gamme de produits tels que steak, homard, poisson, soupe à l'oignon, plats en cocotte, pain grillé à l'ail et hamburgers. La conception à infrarouge au-dessus du feu assure un préchauffage rapide et un chauffage efficace et uniforme. La fonction d'inclinaison des grilles permet de voir facilement l'état des aliments.

Plaque Signalétique

La plaque signalétique est située sous le bac récepteur amovible. En cas de questions concernant l'installation, l'utilisation, l'entretien ou la réparation du produit, écrire ou communiquer avec le département de service des produits. Pour correspondre avec l'usine ou le centre de service agréé local concernant des problèmes de service ou des pièces de rechange, bien faire référence à l'appareil avec le numéro de modèle correct (comprenant les lettres et chiffres du préfixe et du suffixe) et le numéro de série de garantie. La plaque signalétique fixée à l'appareil contient ces renseignements.

Pour que l'appareil fonctionne correctement, les informations relatives au combustible de la plaque signalétique de votre nouvel appareil doivent correspondre à votre alimentation en combustible.

INSTALLATION

Dégagements

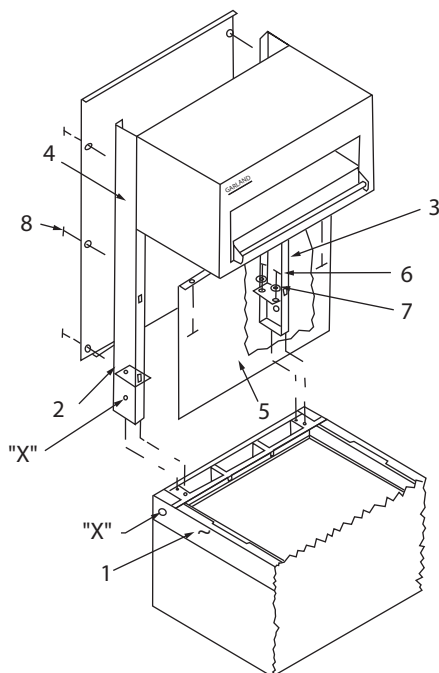
Les modèles (M, MS, MST) (SRC, SR16) doivent être installés dans des emplacements incombustibles seulement avec un dégagement nul (0") sur les côtés et à l'arrière.

REMARQUE : Un dégagement suffisant doit être prévu pour l'entretien et l'utilisation.

Emplacement

Les salamandres pour plan de travail doivent être installées sur une surface solide, lisse et de niveau, conçue pour résister au poids de l'appareil complètement chargé. Toutes les ouvertures dans le mur derrière ou à côté de l'appareil doivent être bouchées.

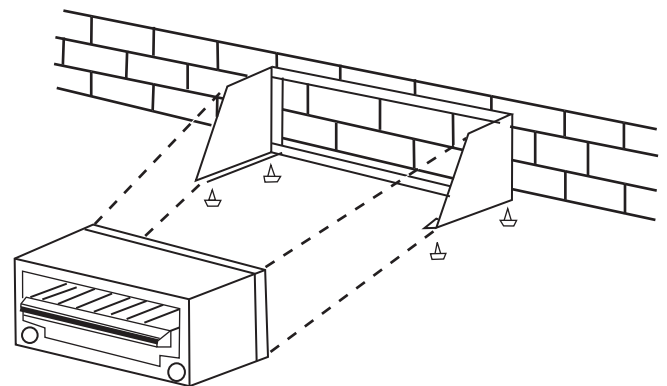
Instructions D'installation D'une Salamandre Montée Sur Cuisinière.



1. Retirer le panneau avant (5) en dévissant les deux (2) vis Parker de la partie inférieure de la salamandre.
2. Le panneau arrière (4) étant toujours fixé aux montants (2 et 3), faire descendre les montants dans les ouvertures rectangulaires à l'arrière de la cuisinière (1).
3. Fixer les montants (2 et 3) à la cuisinière avec quatre (4) boulons de 5/16 po x 18 et rondelles plates. 6/7
4. Si la cuisinière est installée en batterie, fixer ensemble les unités au trou marqué d'un «X» avec des boulons ¼ po x 20, des écrous et des rondelles.
5. Refixer le panneau avant (5) à la salamandre avec les vis Parker retirées précédemment.

Salamandres à Montage Mural.

1. Chaque appareil doit être placé en fonction de la conception du bâtiment et des autres appareils de manière à en garantir l'accès et en permettre le nettoyage et l'entretien.
2. Les salamandres prévues pour un montage mural sont expédiées avec le kit de montage déjà fixé.
3. Au moment de l'installation, il faut tenir compte des raccords de gaz prévus en bas ou à l'arrière.



Réglementation Légale

Lors de la vérification de la pression du gaz, s'assurer que tous les appareils installés sur la même canalisation sont allumés. Il n'y a pas de régulateur de pression fourni avec les équipement standard des salamandres Garland. L'installation doit être conforme au National Fuel Gas Code ANSI Z 223.1 ou la dernière édition et/ou au code local pour assurer une fonctionnement sécuritaire et efficace.

INSTALLATION suite

Au Canada, l'installation doit être conforme au Code d'Installation du Gaz Naturel CAN/CGA-149.2 au Code d'Installation du Propane CAN/CGA B149.2 et aux codes locaux le cas échéant.

REMARQUE : L'appareil doit être isolé de la canalisation d'alimentation en gaz en fermant son robinet d'arrêt individuel (non fourni avec l'appareil), pendant tout essai du système de canalisations d'alimentation en gaz à des pressions d'essai égales ou supérieures à ½ PSIG (3,45 kPa).

Alimentation En Gaz



Avant de procéder au montage et à la connexion, vérifier l'alimentation en gaz.

1. Le type de gaz pour lequel l'appareil est équipé est estampillé sur la plaque signalétique se trouvant derrière le panneau avant inférieur. Les appareils estampillés «NAT» doit uniquement être connectés au gaz naturel, ceux estampillés «PRO» doivent l'être uniquement au propane.
2. S'il s'agit d'une nouvelle installation, demander à la compagnie de gaz locale de vérifier la taille du compteur et de la canalisation pour s'assurer que l'appareil peut être alimenté avec la pression de gaz nécessaire à son fonctionnement.
3. S'il s'agit d'un équipement de remplacement ou additionnel, demander à la compagnie locale de gaz de vérifier la pression afin de s'assurer que le compteur et la canalisation existants alimenteront l'appareil avec une chute éventuelle de pression ne dépassant pas ½ po de colonne d'eau.

AVERTISSEMENT: Vérifier la présence de fuites sur les connexions de gaz. Utiliser une solution savonneuse ou une méthode similaire. **NE PAS UTILISER DE FLAMME NUE!**

REMARQUE : Cet appareil n'est pas recommandé pour une installation résidentielle.

Ventilation Et Alimentation En Air.

Une ventilation correcte est extrêmement importante pour un bon fonctionnement. La méthode idéale de ventilation pour une salamandre est une hotte correctement conçue, se prolongeant de six pouces (152 mm) de tous les côtés de l'appareil et située à six pieds six pouces (1 981 mm) du sol.

Une forte aspiration risque de créer une dépression dans la pièce. Pour qu'un système d'évacuation fonctionne correctement, de l'air de remplacement doit entrer dans la pièce d'où l'air est évacué. La quantité d'air évacuée doit être égale celle entrant dans la pièce (air d'appoint).

Les brûleurs à gaz et les veilleuses ont besoin de suffisamment d'air pour fonctionner et on ne doit pas placer d'objets encombrants devant ou au-dessus de la salamandre qui pourraient empêcher l'air d'entrer à l'avant de la salamandre.

POUR VOTRE SÉCURITÉ, ne jamais placer d'objets sur le dessus de la salamandre. La température au-dessus de la salamandre dépasse 1 000° F (538° C). Cela pourrait causer des brûlures graves et/ou un incendie et aussi obstruer la ventilation

Essais Et Réglages

Tous les raccords et connexions de tuyaux doivent être testés pour détecter les fuites éventuelles. Utiliser des détecteurs de fuites approuvés, de l'eau savonneuse ou des produits équivalents, appliqués sur et autour des raccords et connexions de tuyaux. **NE PAS UTILISER DE FLAMME !** Pour accéder à toutes les canalisations de gaz et aux raccords il est nécessaire de retirer le(s) panneau(x) des robinets, le(s) panneau(x) inférieur(s) avant et les grilles du four. Il peut être nécessaire de retirer ou au moins de soulever et de supporter correctement les grils, les plaques de cuisson et grilles supérieures. Toutes les pièces retirées (y compris les moyens de fixation) doivent être soigneusement rangées pour les réutiliser ensuite.

Essais

1. Vérifier que tous les robinets et thermostats sont en position «OFF».
2. Ouvrir le robinet principal d'alimentation en gaz. Allumer toutes les veilleuses de la section haute.
3. Vérifier la présence de fuites aux robinets et raccords, comme décrit dans la procédure ci-dessus. Réparer les fuites si nécessaire et vérifier de nouveau.
4. Fermer tous les robinets de gaz.

Tous les appareils sont testés et réglés en usine. Cependant, les brûleurs et les veilleuses doivent être vérifiés au moment de l'installation et réglés si nécessaire.

FONCTIONNEMENT

REMARQUE: Vérifier que l'alimentation en gaz de l'appareil est activée. Pendant le cycle d'allumage initial, il est nécessaire de purger l'air de la conduite de gaz et cela peut prendre une à deux minutes avant que la veilleuse ne s'allume.

Modèles M, MS

Instructions D'allumage des Veilleuses

1. Le robinet d'arrêt en ligne doit être en position d'ouverture.
2. Avec une mèche allumée, il est maintenant possible d'allumer les veilleuses qui sont situées à l'arrière du brûleur principal.

Remarque: Les veilleuses doivent être toutes fonctionnelles et être vérifiées par un technicien gazier agréé avant d'utiliser l'unité.

3. Pour allumer correctement les brûleurs, la flamme des veilleuses doit avoir une longueur d'environ 7/8 po. On trouve le robinet de réglage de veilleuse en faisant glisser le bac récepteur vers l'avant. Les robinets de réglage se trouvent sur le tube collecteur, qui passe à l'horizontale à l'arrière de l'appareil, derrière le bac récepteur; l'un se trouve à l'arrière gauche et l'autre à l'arrière droite.
4. Pour régler la veilleuse, tourner la vis en laiton dans le sens inverse des aiguilles d'une montre pour augmenter la flamme de la veilleuse et dans le sens des aiguilles d'une montre pour la diminuer.

Remarque: La longueur de flamme des veilleuses ne devrait pas dépasser 7/8 po. Si la flamme est réglée trop haut, elle décolle des veilleuses ou crée des dépôts de carbone excessifs. Ne pas régler la flamme des veilleuses plus bas que 7/8 po car cela peut retarder l'allumage du brûleur. L'allumage retardé pourrait causer des fissures dans les blocs de brûleur qui, dans ce cas, devraient être remplacés.

Fonctionnement du Brûleur Principal

1. Tourner le bouton du brûleur principal en position «MAX»
2. Vérifier immédiatement l'allumage.

ATTENTION: Si l'allumage ne se fait pas après cinq secondes, fermer le robinet et attendre cinq minutes avant d'essayer de nouveau. Le gaz des veilleuses n'est pas coupé automatiquement. Il incombe à l'opérateur de vérifier l'allumage des brûleurs immédiatement après que le robinet des brûleurs a été ouvert.

Arrêt

1. Placer tous les robinets en position de fermeture en tournant le bouton d'1/4 de tour dans le sens des aiguilles d'une montre.
2. Si la cuisinière doit être arrêtée pour une période de temps prolongée, fermer le robinet de gaz de la conduite.

Modèles MST

Commandes



Instructions D'allumage

1. Enfoncer le robinet et le tourner dans le sens inverse des aiguilles d'une montre jusqu'à la position d'allumage "★".
2. En maintenant le robinet enfoncé, allumer la veilleuse avec une allumette ou une mèche.
3. Une fois la veilleuse allumée, continuer de maintenir le robinet complètement enfoncé pendant 20 secondes,

FONCTIONNEMENT suite

puis le relâcher. Si la veilleuse s'éteint, attendre cinq (5) minutes et recommencer à partir de l'étape 1.

4. Quand la veilleuse est bien allumée, appuyer de nouveau sur le robinet et le tourner complètement dans le sens contraire des aiguilles d'une montre jusqu'à la position "▲" pour allumer le brûleur principal.
5. Pour obtenir une flamme basse ou pour mijoter, appuyer sur le bouton du robinet et le tourner dans le sens contraire des aiguilles d'une montre jusqu'à la position de flamme basse "▲".
6. Pour éteindre le brûleur, tourner le cadran à la position "●" et le dispositif de sécurité se désengagera dans un délai de 60 secondes.

Arrêt

1. Placer tous les robinets en position de fermeture en tournant le bouton d'¼ de tour dans le sens des aiguilles d'une montre.
2. Si la cuisinière doit être arrêtée pour une période de temps prolongée, fermer le robinet de gaz de la conduite.

Tous Les Modèles

Allumage Des Brûleurs

Quand l'allumage se fait, une flamme bleue couvre la surface de la céramique pendant 10 à 15 secondes. Cette flamme disparaît et la tige du brûleur devient rouge. Une fois que les brûleurs ont fonctionné pendant plusieurs minutes, tourner le robinet sur «MIN». Les tiges de brûleurs cessent d'être rouges et la flamme va et vient à la surface de la céramique du brûleur.

Réglages du Brûleur Principal

Toutes les salamandres à fromage sont livrées avec des orifices de brûleur fixes assurant un débit calorifique de 20 000 Btu/h sur réglage «MAX» avec du gaz naturel sous une pression de 6,0 po C.E. et 20 000 Btu/h sur réglage «MAX» avec du propane sous une pression de 10,0 po C.E.

Le réglage «MIN» peut être modifié en procédant de la façon suivante:

1. Régler le bouton du robinet du brûleur sur « MIN ».
2. Insérer un petit tournevis plat dans la tige du robinet pour tourner la fente à l'intérieur de la tige. Tourner dans le sens des aiguilles d'une montre pour diminuer le débit de gaz et dans le sens inverse pour l'augmenter.

Le réglage est correct quand les tiges de brûleur ne

rougeoient plus et quand la flamme va et vient à la surface de la céramique du brûleur.

Ce réglage a été effectué en usine; cependant, avec les changements de pression, ce réglage et celui des veilleuses peut avoir besoin d'être refait après l'installation. Cela n'est pas considéré comme un défaut de fabrication et n'est pas garanti.

Période de Brûlage

Beaucoup de pièces utilisées dans la fabrication de l'équipement commercial sont recouvertes d'une fine couche protectrice d'huile mouvement. L'huile doit être brûlée avant d'utiliser l'équipement pour la préparation des aliments.

Une fois toutes les vérifications de démarrage et de sécurité terminées, tourner le robinet du brûleur en position «MAX». Il se produit de la fumée (brouillard bleuâtre). Cette procédure peut prendre plusieurs heures et peut s'étaler sur quelques jours.

Suggestions D'utilisation

1. Nettoyer les grilles dès que possible après avoir cuit des aliments très acides à base de tomate ou de vinaigre. Ces aliments peuvent causer des piqûres sur la surface du gril.
2. Laisser la salamandre préchauffer avant d'ajouter le produit.
3. Vider et nettoyer le bac récepteur fréquemment. Un excès d'huile se vidant dans le bac peut causer un débordement.

Économies D'énergie

Ne pas gaspiller l'énergie en laissant les commandes sur les réglages de haute température pendant les périodes d'inactivité. Des réglages moins élevés garderont la salamandre à fromage chaude et prête pour la période d'utilisation suivante. Remettre le bouton du robinet de brûleur au réglage requis pour les périodes de forte charge.

Précautions De Sécurité

Il est de la responsabilité du superviseur ou d'une personne équivalente de s'assurer que les utilisateurs de cet équipement portent des vêtements de protection adaptés et d'attirer leur attention sur le fait que certaines pièces deviennent très chaudes par nécessité et causeront des brûlures si on les touche.

Pour votre sécurité, ne jamais placer d'objets sur le dessus de la salamandre. La température en haut de la salamandre dépasse 1 000°F. Cela pourrait causer des brûlures graves et/ou un incendie et aussi obstruer la ventilation.

ENTRETIEN ET NETTOYAGE

Un programme de méthodes de nettoyage adaptées contribuera à un fonctionnement continu sans problème de cet équipement ou de tout autre équipement de qualité.

Chaque Jour

1. Retirer et nettoyer soigneusement la crémaillère de grille. La crémaillère de grille doit être essuyée chaque jour pendant qu'elle est encore chaude, avec un torchon épais ou un autre matériau absorbant la graisse afin d'éliminer la graisse et les aliments brûlés avant qu'ils ne brûlent dans la grille. Éliminer les produits brûlés comme la graisse ou les aliments carbonisés avec une brosse métallique dure. **NE PAS UTILISER DE LAINE D'ACIER.** Des petites particules peuvent être laissées sur la surface de la grille et risquent pénétrer dans les produits alimentaires. La crémaillère de grille doit être lavée soigneusement avec une brosse métallique et une solution très chaude de détergent doux ou de savon. Rincer à l'eau claire chaude.
2. La crémaillère étant retirée, nettoyer l'intérieur de l'appareil avec un chiffon humide.
3. Nettoyer le contenant à graisse.

Chaque Mois

Lubrifier les robinets et roulements si nécessaire. À cause de l'emplacement habituel de la salamandre qui est montée au-dessus d'une cuisinière avec des plaques ouvertes, la chaleur provenant des plaques ouvertes fait sécher la graisse

de lubrification à l'intérieur des robinets. Quand on remarque que le robinet devient plus dur à tourner, il est alors temps de le faire lubrifier. Nous suggérons de faire exécuter ce type de travail par un agent de service agréé connaissant bien l'appareil et ainsi que le gaz naturel et le propane.

Nettoyage Extérieur

Établir un calendrier régulier. Les déversements devront être essuyés immédiatement.

Essuyer la surface nettoyable exposée quand elle est froide avec de l'eau chaude et un détergent doux. Les résidus rebelles peuvent être éliminés avec un tampon à récurer non métallique. Bien essuyer avec un chiffon propre. Laver une petite surface à la fois, rincer la surface lavée avec une éponge trempée dans un produit désinfectant et sécher avec un chiffon doux propre avant que la surface ait séché.

Utiliser uniquement des outils en acier inoxydable, en bois ou en plastique pour gratter les dépôts épais de graisse et d'huile. Ne pas utiliser de grattoirs ou couteaux en acier ordinaire, étant donné que des particules de fer risquent de s'incruster dans le métal et de rouiller. **NE JAMAIS UTILISER DE LAINE D'ACIER.**

RÉPARATION

Pour assurer une longue durée de vie et une utilisation sécuritaire de l'appareil, il est recommandé d'effectuer un entretien à intervalles réguliers, dont la fréquence variera

en fonction des conditions d'installation. Les réparations doivent être effectuées par des personnes compétentes selon la réglementation.

SÉCURITÉ

Il est essentiel de suivre à la lettre les instructions contenues dans le présent livret pour un fonctionnement sûr et économique de cet équipement. Si l'on sait ou si l'on suppose que l'appareil présente un défaut, il ne doit pas être utilisé avant que le défaut ne soit rectifié par une personne compétente.

 **Garland** Installation, Operation Manual

MASTER INFRA-RED SALAMANDER BROILER M/MS/MST (SRC, SR16)

Garland Commercial Ranges
<http://www.garland-group.com>

