

# Electric/Gas Dual Side Xpress Grill

## Parts List Manual

**Models:**  
XPE24AC, XPE36AC

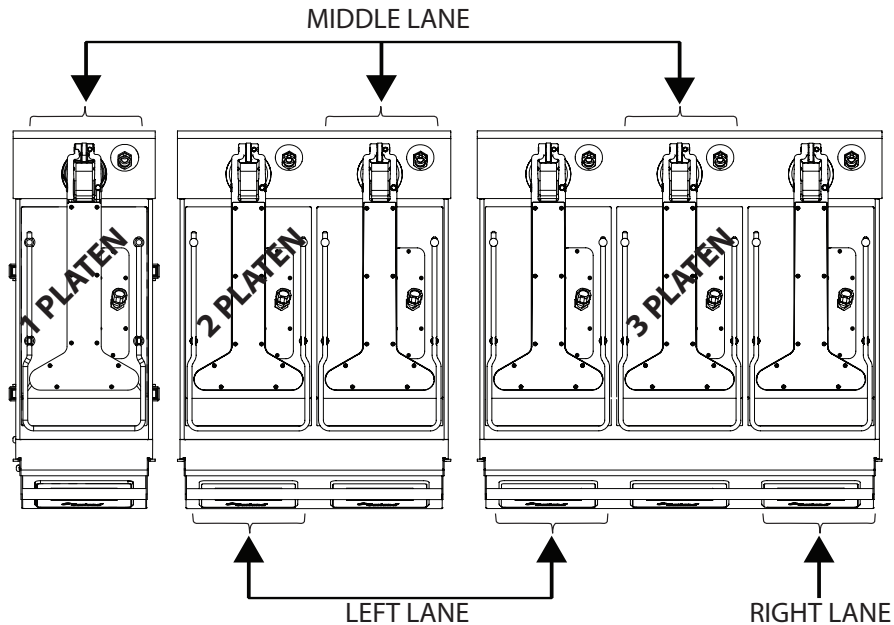


THIS PAGE INTENTIONALLY LEFT BLANK

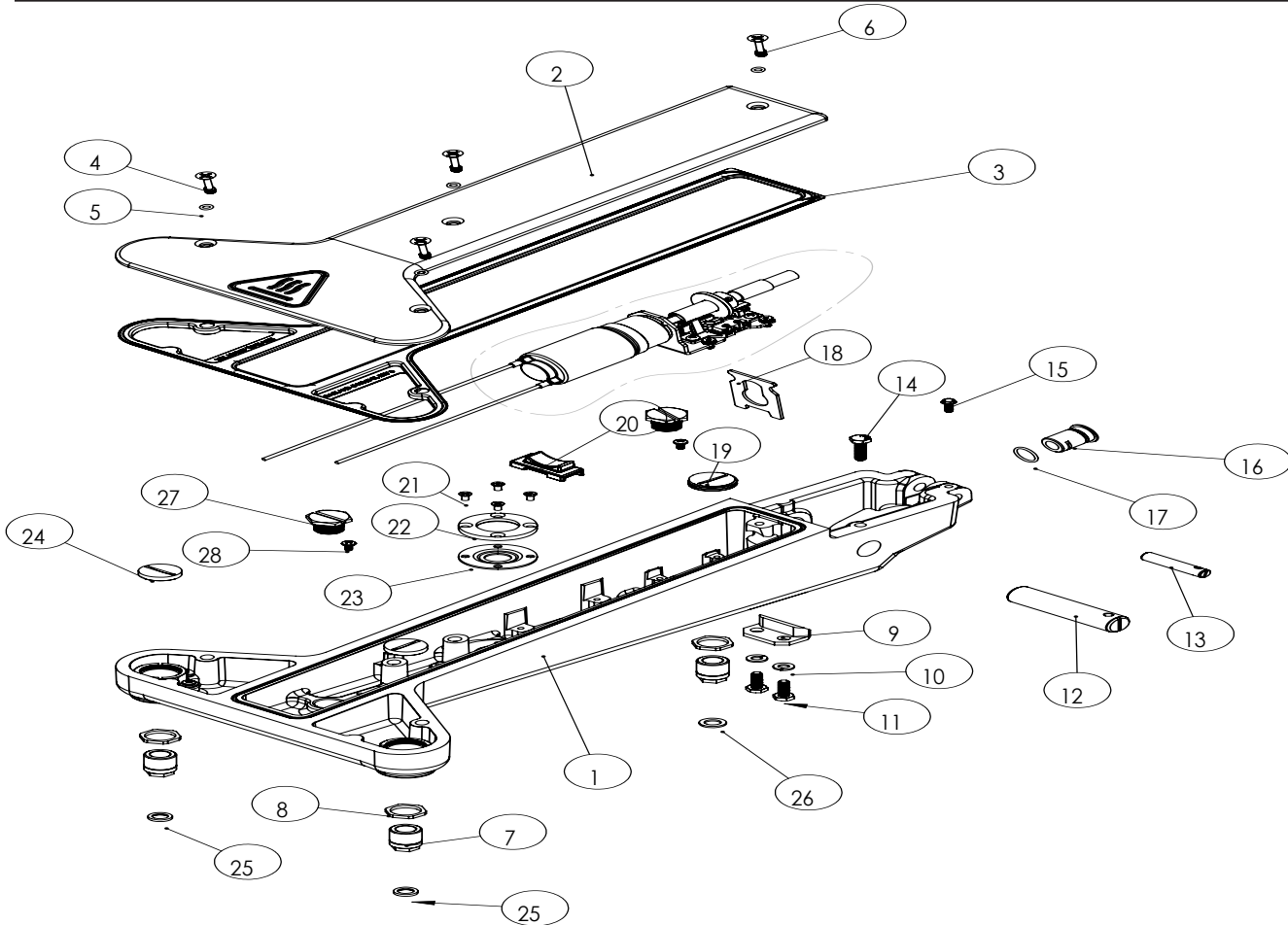
## Contents

Top Platen Grill - All Models, Part 1	4
Top Platen Grill - All Models, Part 2	6
Two (2) Platen Grill External Parts	7
Three (3) Platen Grill External Parts	8
Bottom Grill Element - All Models Electric	10
Electronic Components - All Models	11
Shaft Mechanism - All Models	12
Accessories - All Models	16
Information / Warning Stickers	17
Electrical Schematic Diagrams - All Models	18
Wiring Harnesses - All Models	19

### XPRESS PLUS GRILL LANE CONFIGURATION



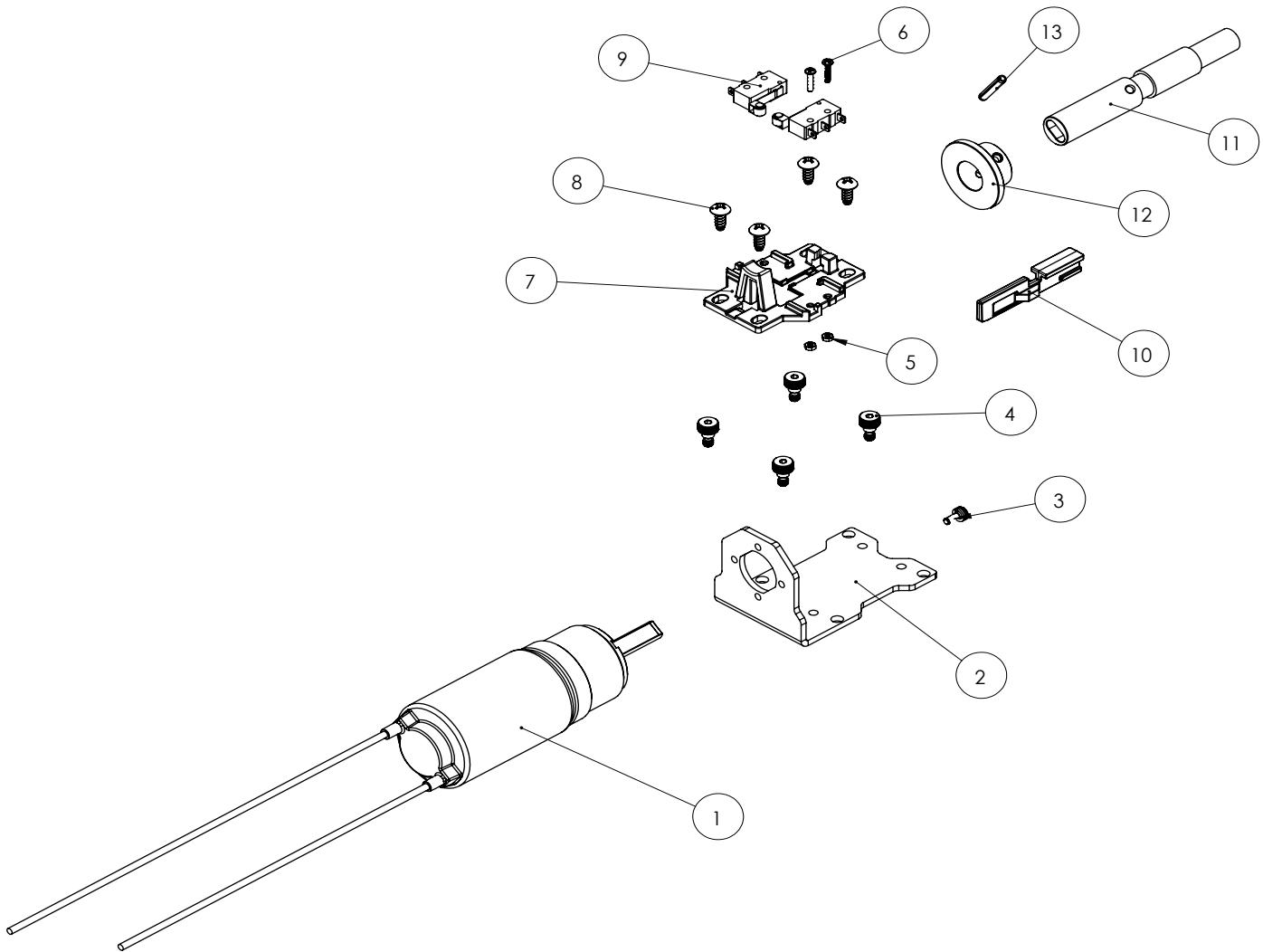
# Top Platen Grill - All Models, Part 1



## PLATEN ARM ASM - XPE36AC AND XPE24AC

ITEM	PART #	DESCRIPTION	QTY	CRITICAL
1	4605893	PLATEN ARM AC W/THREADED BUSHINGS	1	
2	4602711	PLATEN ARM COVER	1	
3	4604548	GASKET / SEAL	1	
4	4603055	SCREW - CAPTIVE SCREW	3	
5	4604231	O-RING, ARM COVER (5/16 OD X 3/16 ID X 1/16 THK)	4	
6	F872	FLAT HEAD SCREW 1/4-20 X 0.75"	1	
7	4600578	SB ADJ. NUT	3	
8	4600579	SB ADJ. NUT LOCK	3	
9	4603163	ARM STOP BLOCK 0.365	1	
10	F255	LOCKWASHER-1/4 S/S SPLIT	2	
11	F767	1/4-20 X 3/4" THREAD-LOCKING CAP SCREW SS	2	
12	4602162	ARM LINK PIN, SNG	1	
13	4603326	PIN, ARM/KNUCKLE JOINT	1	
14	F753	1/4-20 X 1" SS HEX HD CAP SCREW W/PATCH, GRADE F593C	1	
15	F843	#8-32 x 1/2" SS HEX WSHR HD M/C SCREW W/PATCH, GRADE F593C	1	
16	4604332	AC NUT	1	
17	F739	Viton O-Ring Brown, 1/16 Fractional Width, Dash Number 016	1	
18	4604333	RETAINING CLIP, AC NUT	1	
19	4603441	LOCK CAP, GM REAR	1	
20	4607522	MOTOR SUPPORT	1	
21	F717	#8-32X.312 U/CUT FHMS PH SS	4	
22	4600566	ARM SEAL CAP	1	
23	4600567	ARM SEAL	1	
24	4600568	SB CAP	2	
25	4605975	SPACER, FRT SB AC	2	
26	738	WASHER 18-8 SS FOR .375" SCREW	1	
27	4603442	PLUG - BAUMER SENSOR	2	
28	F823	SCREW- RDHMS PH #8-32X5/16"LG SS	2	

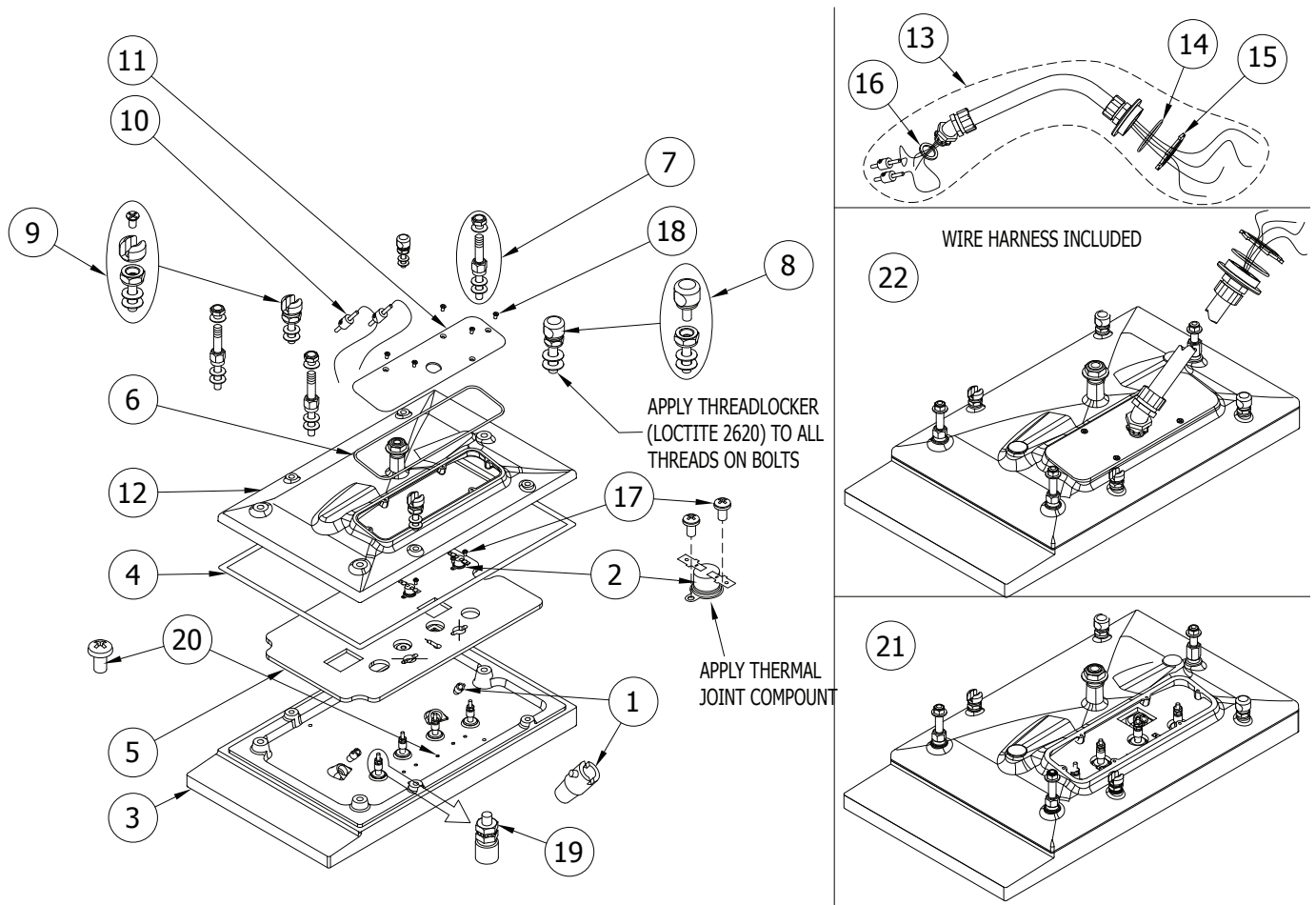
## Top Platen Grill - All Models, Part 1



**AC DRIVE SUB-ASSY - XPE36AC AND XPE24AC**

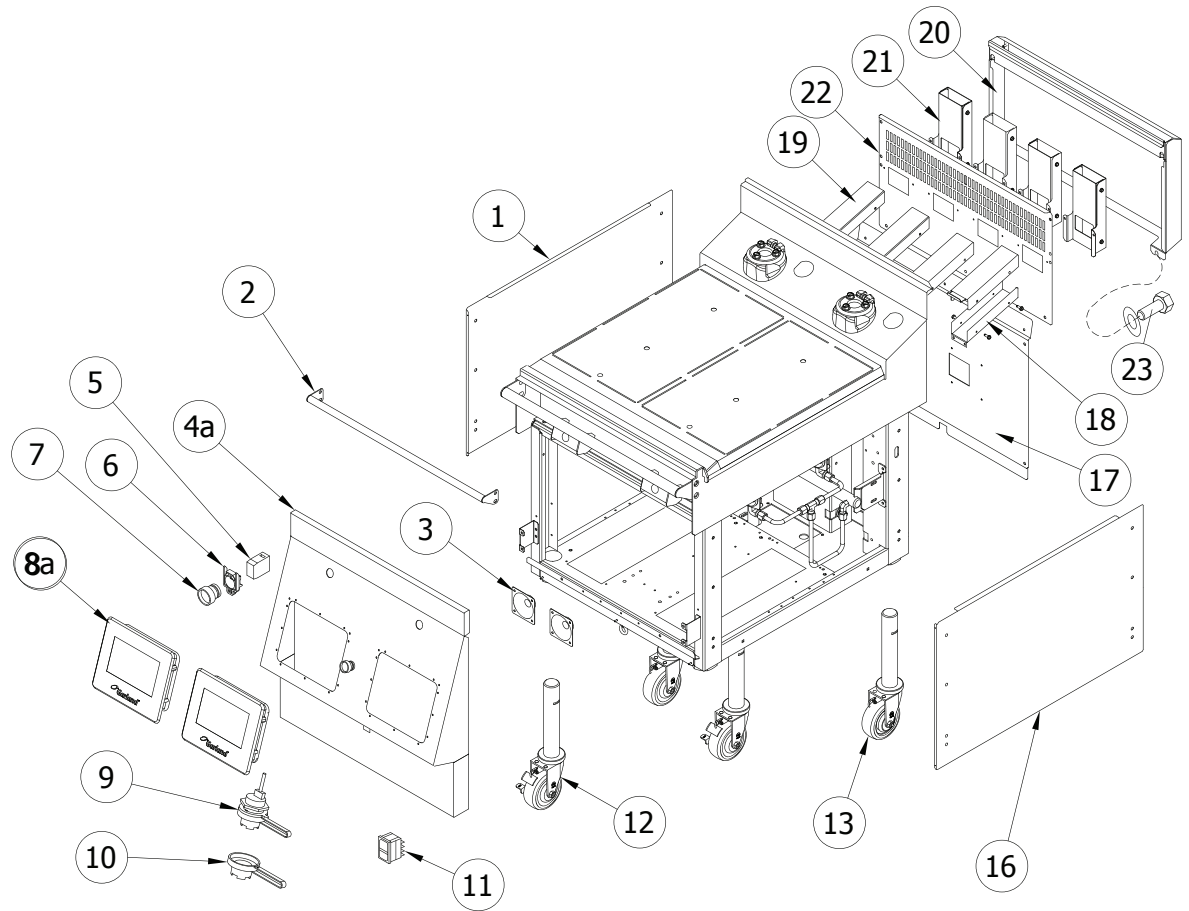
ITEM	PART #	DESCRIPTION	QTY	CRITICAL
1	4605633	MOTOR ASSEMBLY	1	C
2	4604327	BRKT, AC MOTOR	1	C
3	F873	M3 x 0.50 MM THREAD, 8 MM LONG, 316SS	4	
4	F888	ALLOY STEEL 8-32 SHOULD SCREW	4	
5	F875	HEX HEAD NUT 18-8 SS 2-56	4	
6	F874	SCREW PHS 2-56 x .375"	4	
7	4607390	SLIDER RESTRAINT, DS	1	C
8	8003210	8-32X3/8 PH AN HD T/C	4	
9	4607408	POSITON SWITCH ASSEMBLY	1	C
10	4607391	SLIDER, DS	1	C
11	4604330	AC LOCK SCREW	1	C
12	4606123	COLLAR, AC LOCK SCREW	1	C
13	F877	SLOTTED SPRING PIN 18-8 .125"DIA x .75"	1	C

## Top Platen Grill - All Models, Part 2



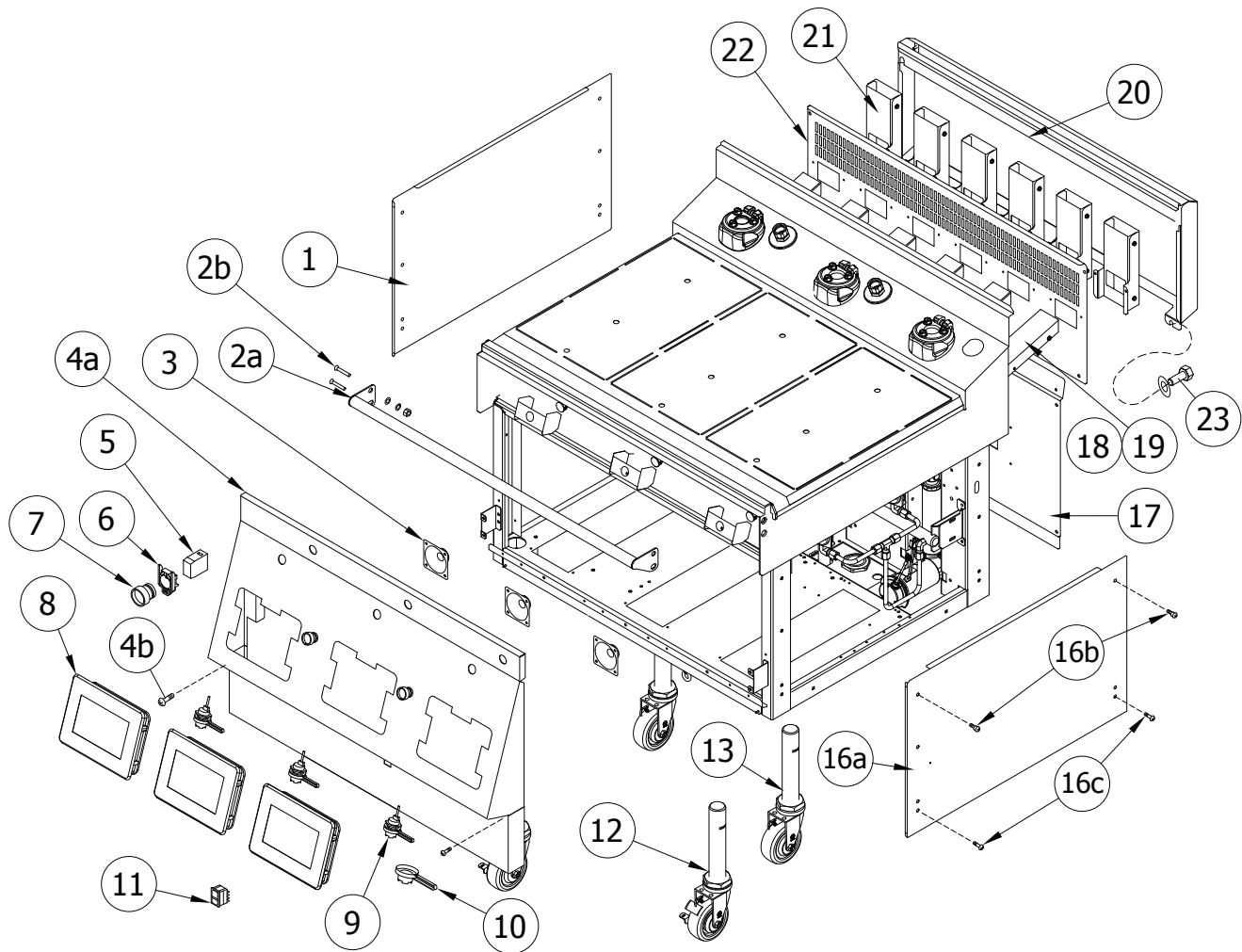
Item#	Part#	Description	Qty	Critical or Recommended
1	<a href="#">1859402</a>	Platen Bayonet Adapter	2	
2	<a href="#">4531977</a>	Thermostat SPST (open on rise 500F, close 420F)	2	C
3	<a href="#">4532741</a>	Platen Heater 20" x 11.5" (must also replace seal item # 4)	1	
4	4532744	Seal, Cowl to Platen	1	R
5	<a href="#">4600146</a>	Platen Insulation	1	
6	4600584	Seal, Cowl to Lid (FKM O-Ring, As S68A-169)	1	
7	<a href="#">CK4600585</a>	Standard Shoulder Bolt, Asm, Pearl	3	
8	<a href="#">CK4600590</a>	U-Bar Rear Holder Assembly	2	R
9	<a href="#">CK4600591</a>	U-Bar Front Holder Assembly	2	R
10	<a href="#">4600100</a>	Platen Thermocouple	2	C
11	<a href="#">4600645</a>	Cowl Access Lid, Pearl	1	
12	4600513	Cast Cowl, Pearl GM	1	
13	TBC	Platen Harness TC Conduit GM Pkg - (Thermocouples & harness included)	1	C
14	<a href="#">4600652</a>	O-Ring, AS568A - 137	1	
15	<a href="#">4600653</a>	Conduit Fitting Locknut, 1.5"	1	
16	<a href="#">4600606</a>	Seal Conduit Fitting	1	
17	<a href="#">F162</a>	Screw-6-32 X 1/4" Phillips Pan S/S	4	
18	<a href="#">F717</a>	#8-32X.312 U/Cut FHMS PH SS	6	
19	<a href="#">F715</a>	#10-32 Hex Keps Nut SS (for the element)	4	
20	<a href="#">F783</a>	#8-32X3/16 Truss M/S SS (ground)	1	
21	<a href="#">CK4601978</a>	Platen assembly (items included: 1, 2, 3, 4, 5, 7, 8, 9, 12, 17)	1	R
22	<a href="#">CK4600166</a>	Complete Assembled Platen, Cowl and Conduit assemblies	1	

## Two (2) Platen Grill External Parts



Item#	Part#	Description	Qty	Critical or Recommended
1	<a href="#">4532768</a>	Body Side, RT	1	
2	<a href="#">4532366</a>	Towel Bar Assy 2P	1	
3	<a href="#">4523482</a>	Speaker, 4 Watts SMT	2	C
4a	<a href="#">4532774</a>	Control Panel, 2P Electric	1	
	<a href="#">4600970</a>	Control Panel, 2P Gas	1	
4b	<a href="#">4602222</a>	Control Panel, 1P Electric - (designed for rev 9 user interface)	1	
	<a href="#">4602225</a>	Control Panel, 1P Gas - (designed for rev 9 user interface)	1	
5	<a href="#">1859606</a>	Contact Block	1per lane	C
6	<a href="#">1859607</a>	Mounting Latch	2	C
7	<a href="#">1859605</a>	Push Button Green	2	C
8	4606430	Pearl UI Assembly with Wendys software	1	C
9	<a href="#">4532040</a>	USB Panel Mount Assy c/w Lock Nut	2	C
10	<a href="#">4532043</a>	USB Cable Assembly Cover	2	R
11	<a href="#">4600614</a>	Main Power Switch 250VAC 10A	1	C
12	<a href="#">4532675</a>	Caster 1-1/2-12 Stem Sep. Swivel & Wheel Lock	2	R
13	<a href="#">4532676</a>	Caster 1-1/2-12 Stem Swivel Lock Only	2	R
16	<a href="#">4532769</a>	Body Side, LT	1	
17	4600159	Rear Panel Lower Assy - 2P	1	
18	4600069	Flue Box Bottom	4	
19	4600070	Flue Box Top	4	
20a	CK4601151	Flue Box Assy 24 (Gas Model Only) - Up to Dec 2017		
20b	CK4602033	Flue Box Assy 24 (Gas Model Only) - From Jan 2018	1	
21	<a href="#">CK4602023</a>	Flue Snorkel Box Assembly (Gas Model Only)	4	
22	<a href="#">4600533</a>	Rear Panel, Upper 2P (Gas Model Only)	1	
23	<a href="#">F592</a>	#10-24x3/4 Flange Whiz-Lock Screw	3	
	<a href="#">F158</a>	Washer -11/16ODX13/64IDX1 /16FLA	3	

## Three (3) Platen Grill External Parts



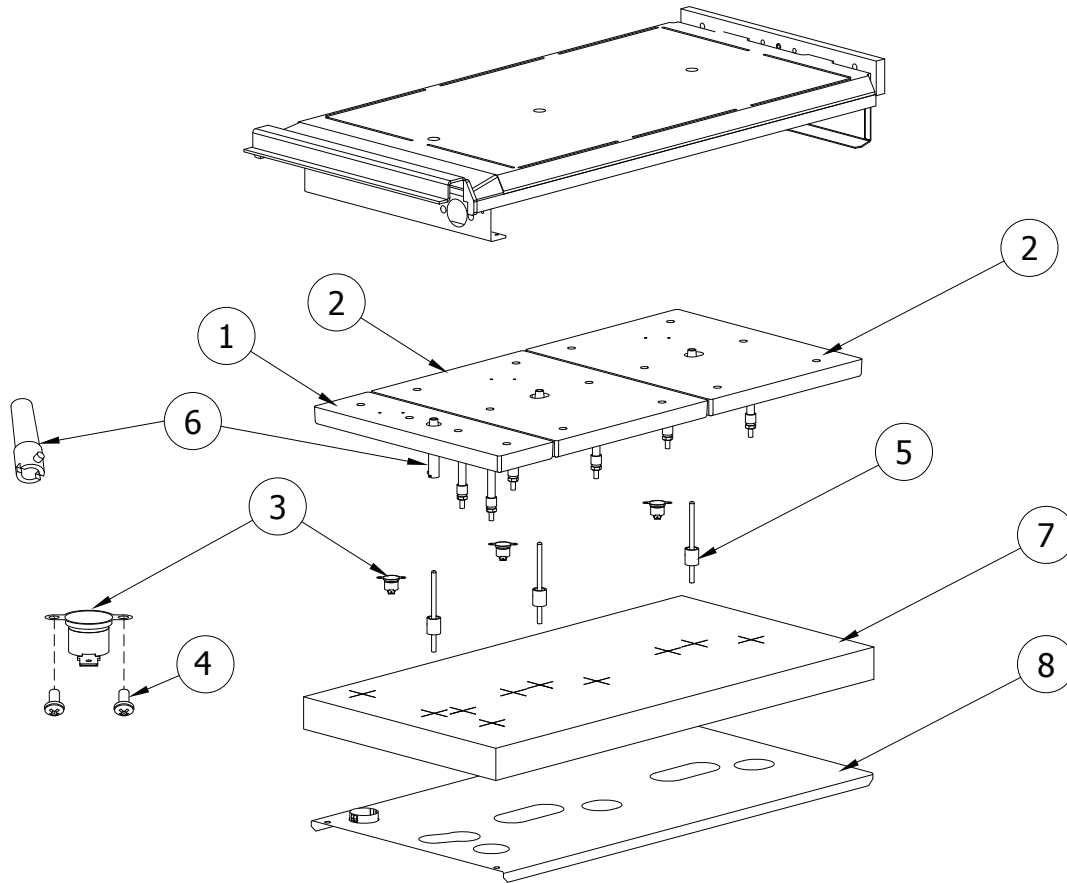
Item#	Part#	Description	Qty	Critical or Recommended
1	4532768	Body Side, RT	1	
2a	4600224	Towel Bar Assy 3P	1	
2b	F711	5/16-18 X 5/8" Flat Head Machine Screw SS	4	
	F756	5/16 18-8 SS Flat Washer 11/16 OD X .05" -.08" THK	4	
	F258	Lockwasher - 5/16 S/S Split	4	
	F241	Nut 5/16-18 HEX SS	4	
3	4523482	Speaker, 4 Watts SMT	3	C
4a	4602223	Control Panel, 1P Electric - (designed for rev 9 user interface)	1	
	4602226	Control Panel, 1P Gas - (designed for rev 9 user interface)	1	
4b	8003128	10-24 X 1/2IN S/S Trust Head Phillip MS	2	
5	1859606	Contact Block	3	C
6	1859607	Mounting Latch	3	C
7	1859605	Push Button Green	3	C
8	4606430	User Interface Assy - Wendys	3	C
		User Interface Controller - General Market - Rev 9	3	C
9	4532040	USB Panel Mount Assy c/w Lock Nut	3	C
10	4532043	USB Cable Assembly Cover	3	R
11	4600614	Main Power Switch 250VAC 10A	1	C
12	4532675	Caster 1-1/2-12 Stem Sep. Swivel & Wheel Lock	2	R
13	4532676	Caster 1-1/2-12 Stem Swivel Lock Only	2	R
16a	4532769	Body Side, LT	1	
16b	F298N	#10-24x 3/8 Shoulder Bolt Nickel Plated	4	

### Three (3) Platen Grill External Parts

---

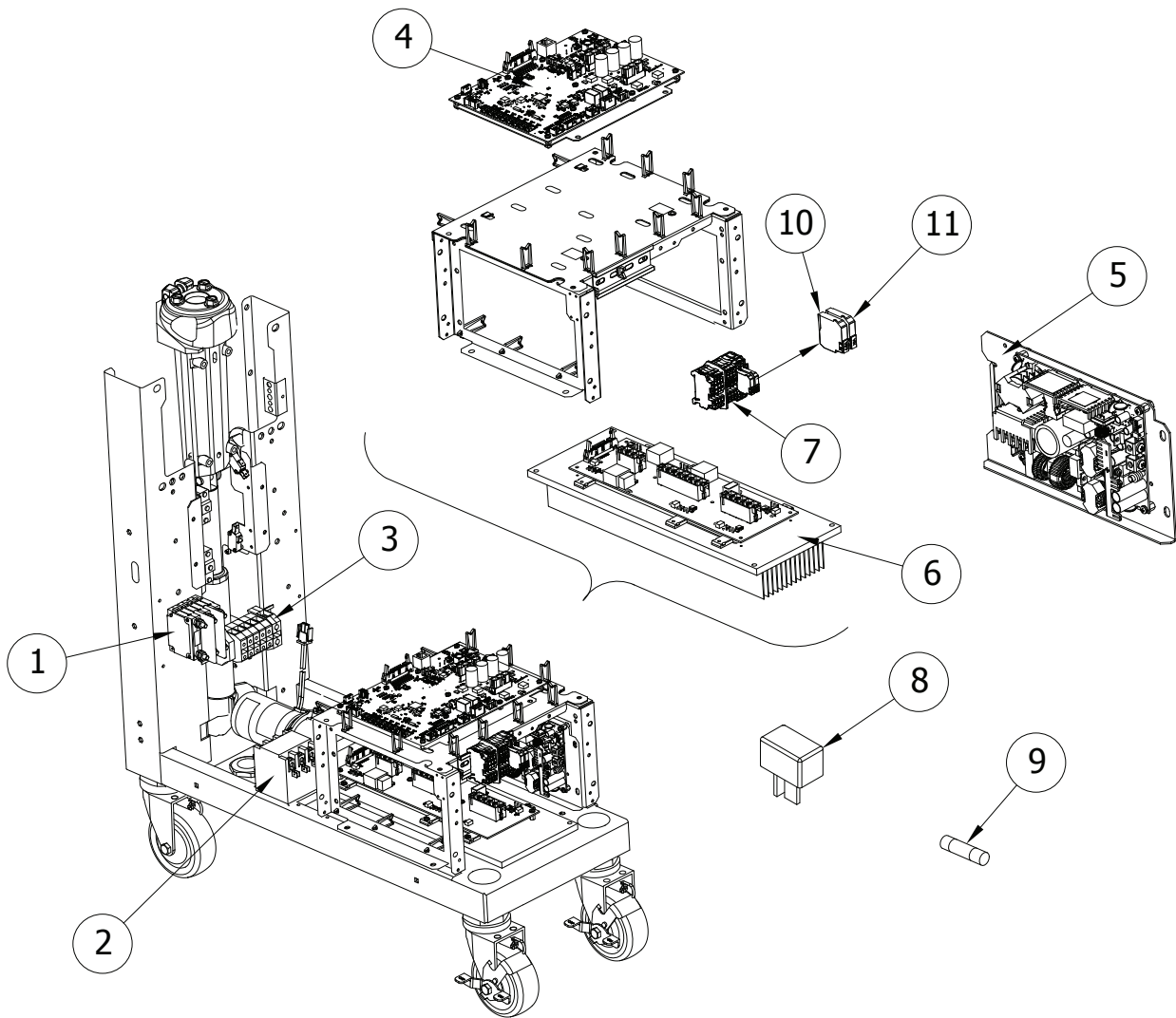
Item#	Part#	Description	Qty	Critical or Recommended
16c	<a href="#">8003128</a>	10-24 X 1/2IN S/S Trust Head Phillip MS	4	
17	4600277	Rear Panel Lower Assy - 3P Gas	1	
	4600214	Rear Panel Lower Assy - 3P Electric	1	
18	4600069	Flue Box Bottom	6	
19	4600070	Flue Box Top	6	
20a	CK4600976	Flue Box Assembly 36 - Up to Dec 2017	1	
20b	<a href="#">CK4602032</a>	Flue Box Assembly 36 - From Jan 2018		
21	<a href="#">CK4602023</a>	Flue Riser Assembly (Gas Model Only)	6	
22	4600276	Rear Panel, Upper 3P Gas	1	
	4600221	Rear Panel, Upper 3P Electric	1	
23	<a href="#">F592</a>	#10-24x3/4 Flange Whiz-Lock Screw	3	
	<a href="#">F158</a>	Washer -11/16ODX13/64IDX1 /16FLA	3	

## Bottom Grill Element - All Models Electric



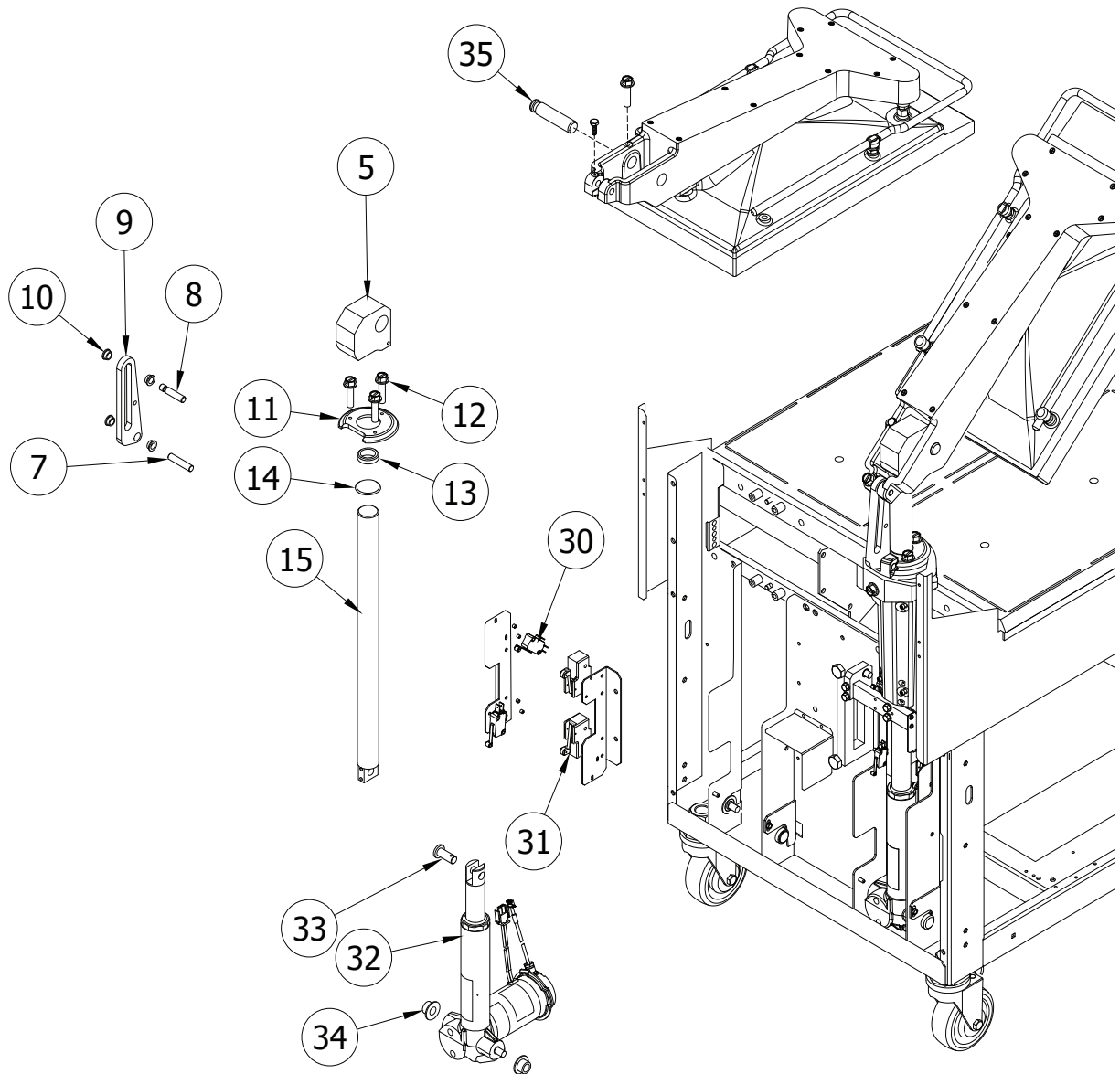
Item#	Part#	Description	Qty per lane	Critical or Recommended
1	<a href="#">4532397</a>	Front Heater Casting (small)	1	
2	<a href="#">4532399</a>	Middle/Rear Heater Casting (Large)	2	
3	<a href="#">4531977</a>	Thermostat SPST (open on rise 500F, close 450F)	3	C
4	<a href="#">F162</a>	Screw-6-32 X 1/4" Phillips Pan S/S	6	
5	<a href="#">4600101</a>	Grill Plate Thermocouple Electric	3	C
6	<a href="#">1859404</a>	Grill Plate Bayonet Adaptor	3	
7	<a href="#">4600202</a>	Fibreglass Insulation 12"x22.5"	1	
8	<a href="#">4532369</a>	Insulation Pan Assembly	1	

## Electronic Components - All Models



Item#	Part#	Description	Qty per lane	Critical or Recommended
1	<a href="#">4532382</a>	Circuit Breaker 60A, Nader (3P)	1	R
	<a href="#">4600124</a>	Circuit Breaker 32A, Nader (2P)	1	R
	<a href="#">4600125</a>	Circuit Breaker 25A, Nader (1P)	1	R
	<a href="#">4600630</a>	Circuit Breaker 40A, Nader	1	R
2	<a href="#">1637001</a>	Contactor 120V Coil UL - Main Contactor 50 Amps	1	C
	<a href="#">1637002</a>	Contactor 240V Coil CE	1	C
3	<a href="#">4529170</a>	Main Terminal Block CE	1	R
	<a href="#">4600126</a>	Main Terminal Block UL	1	R
4	<a href="#">CK4600140</a>	SIB & Mount Plate Assembly	1	C
	<a href="#">4603678</a>	SIB & Mount Plate Assembly (new rev 9 board) (For unit with <a href="#">CK4601367</a> user interface board only)	1	C
5	<a href="#">4600838</a>	Power Supply 24V Omron	1	C
6	<a href="#">4531775-9</a>	SSRB Heatsink Assembly	1	C
7	<a href="#">4600482</a>	Terminal Block Control Power 10A UL	1	
	<a href="#">4600485</a>	Terminal Block Control Power 6.3A CE	1	
8	<a href="#">4531933</a>	Diode - 15A	2	R
9	<a href="#">4600129</a>	Fuse 5A (inside fuse holder)	1	C
10	<a href="#">4600637</a>	Fuse 6.3A CE	2 per unit	C
11	<a href="#">4600638</a>	Fuse 10A UL	2 per unit	C
12	<a href="#">4600613</a>	26 Pin Ribbon Cable (not illustrated)	1	C

## Shaft Mechanism - All Models



ITEM	PART #	DESCRIPTION	QTY	CRITICAL
5	4607403	Knuckle Assy, AC	1	
7	4600631	Shaft Tube / Link Pin, Pearl	1	
8	4600569	Arm Link Pin, Pearl	1	
9	4606111	Pivot Link Machined	1	
10	4532733	Pivot Link Bearing 3/8" X 1/4" FL	4	
11	4532393	Seal Cap	1	
12	F801	Screw #8-32X3/4L 18-8 Trim Hex Head	3	
13	4532394	Shaft Seal	1	C
14	4600605	O-Ring	1	C
15	4605715	Lift Shaft, AC	1	
30	4531930	Micro-switch, Over-travel	2	
31	4600616	Limit Switch, Snap Action, Short Hinge Roller Lever	2	C
32	4603129	Actuator Assembly - NORGREN	1	C
33	F759	Clevis Pin, M12 DIA., 30MM LG, 23MM Usable LG	1	C
34	4600863	Igus Flange Bearing GFI-1214-08 3/4 X 1/2	2	

## Shaft Mechanism - All Models

---



4531930 : MICROSWITCH, OVERTRAVEL

Item 30



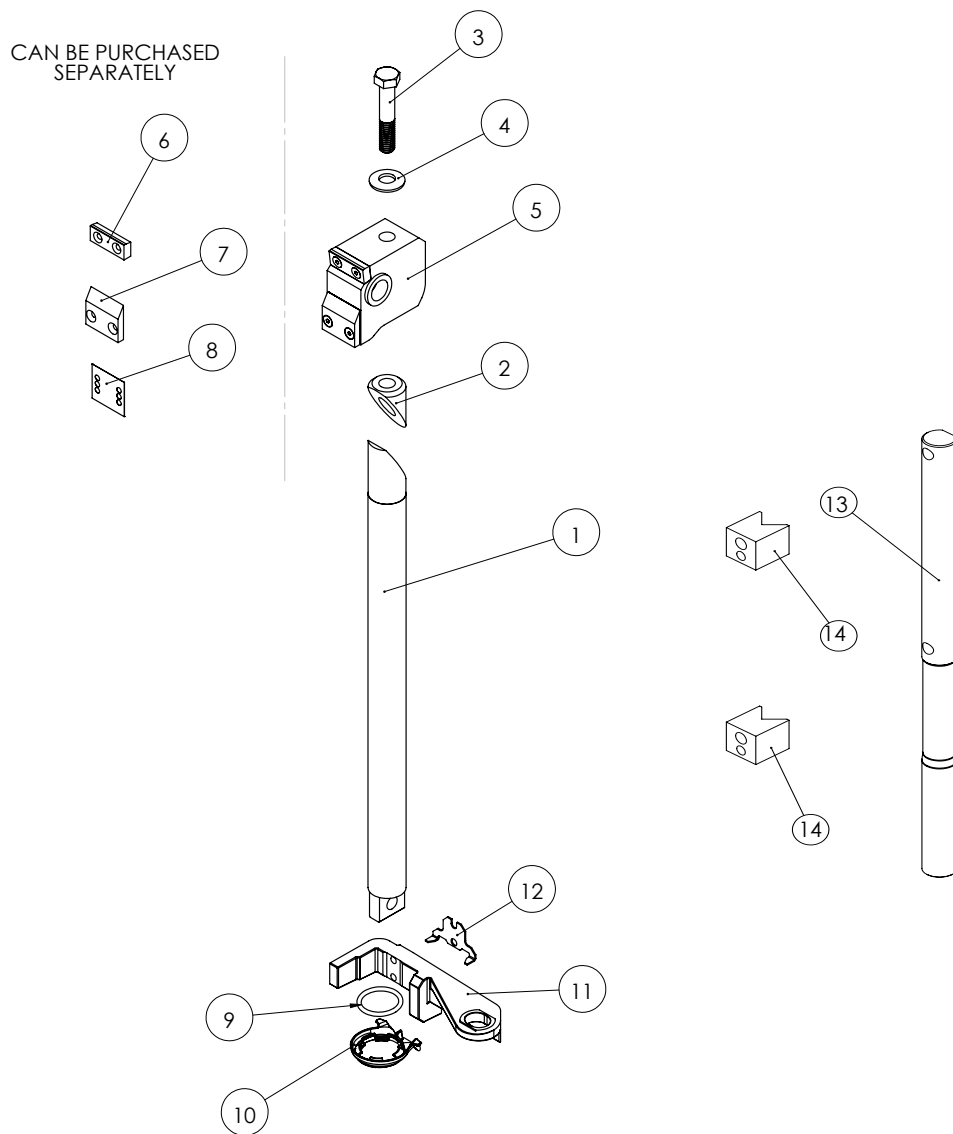
4600616 : SWITCH, SNAP ACTION,  
SHORT HINGE ROLLER LEVER

Item 31



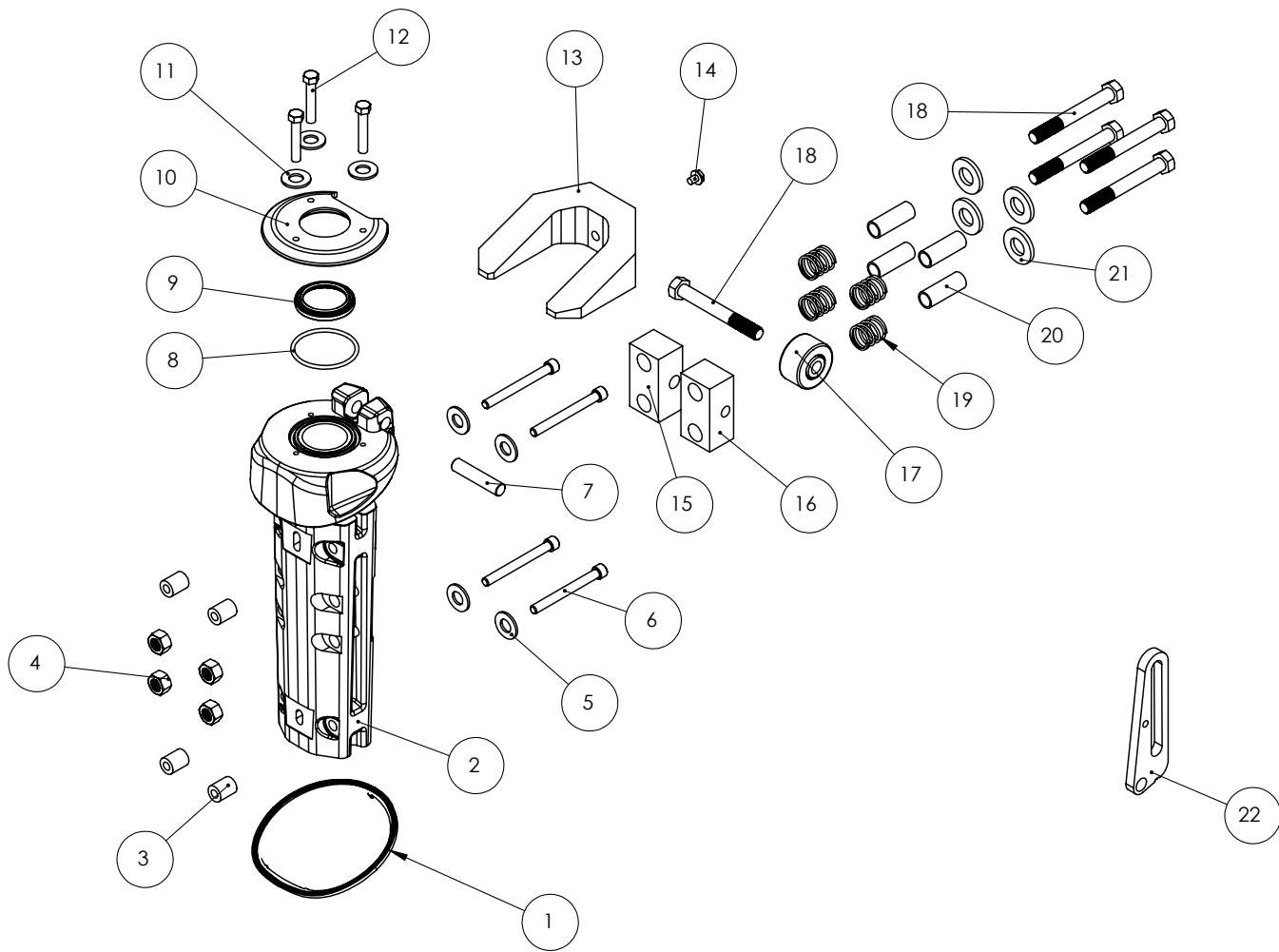
4600863 : IGUS FLANGE  
BEARING GFI-1214-08 3/4 X 1/2

Item 34



**LIFT SHAFT ASM - XPE36AC AND XPE24AC**

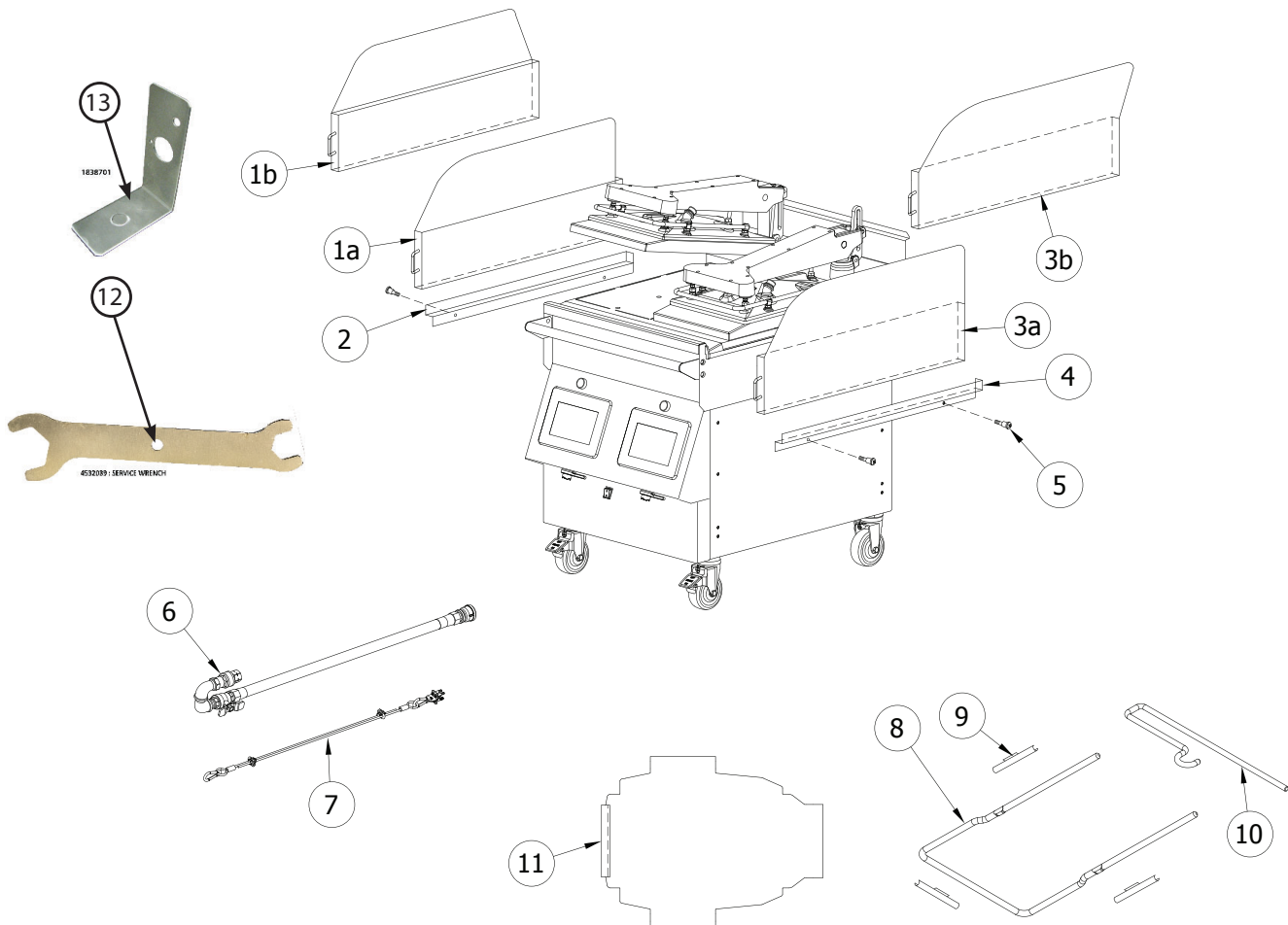
ITEM	PART #	DESCRIPTION	QTY	CRITICAL
1	4605713	LIFT SHAFT, AC	1	
2	4605715	SHAFT WEDGE, AC	1	
3	F886	18-8 SS HHS 1/2-13 X 2.75	1	
4	F887	1/2IN BELLEVILLE WASHER SS	1	
5	4607403	KNUCKLE ASSY, AC	1	
6	4607024	WEAR PAD, PLATEN LOCK	--	C
7	4600618	WEAR PAD, PEARL	--	
8	4603436	SHIM, GLOBAL	--	C
9	4606139	O-RING ID 1.234"	1	
10	4606112	ACTUATOR CANOPY	1	
11	4604976	CAST CROSS BAR ASM	1	C
12	4606137	ACTUATOR CANOPY HOLDER	1	
13	4602816	GUIDE POST	1	
14	4603945	VEE BLOCK	2	



**SHAFT TUBE ASSY - XPE36AC AND XPE24AC**

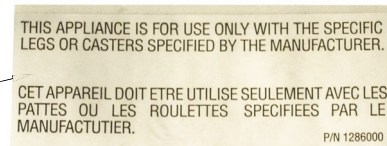
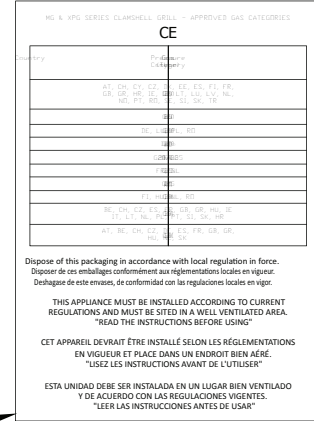
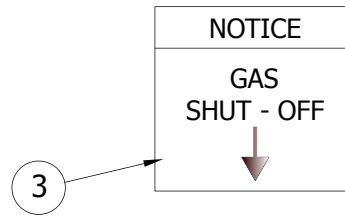
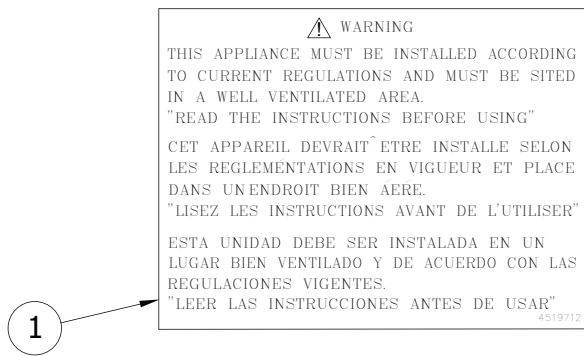
ITEM	PART #	DESCRIPTION	QTY	CRITICAL
1	4606647	SEAL, SHAFT TUBE TO BACKSPLASH	1	
2	4605970	SHAFT TUBE W/BUSHINGS AND ROLLER C/O	1	
3	4600711	SHAFT TUBE SPACER	4	
4	F871	HEX NUT GR8 3/8"-24	4	C
5	F111	WASHER-1/4IN SAE STEEL ZINC CHR	4	
6	F728	1/4-20 X 2.5" SOCKET HEAD CAP SCREW	4	
7	4600631	SHAFT TUBE / LINK PIN	1	
8	4600605	O-RING	1	
9	4532394	SHAFT SEAL	1	C
10	4532393	SEAL CAP	1	
11	2213012	WASHER #8 SS	3	
12	F801	SCREW #8-32X3/4L 18-8 TRIM HEX HEAD	3	
13	4600634	SHAFT TUBE WEDGE	1	
14	F762	1/4"-20 X 1.25" HSWH MACHINE SCREW ZP GR. 5	1	
15	4605971	ROLLER BLOCK, CLR	1	
16	4605972	ROLLER BLOCK, THREADED	1	
17	4605974	ROLLER	1	C
18	F878	HHS GR8 3/8"-24 X 3IN ZN PLATE YELLOW DI	5	C
19	4606447	SPRING, ROLLER ASM	4	C
20	4605984	SPACER, ROLLER BLK	4	C
21	F898	1/2IN WASHER ZN PLATED	4	C
22	4606111	PIVOT LINK MACHINED, 1 1/8	1	

## Accessories - All Models



Item#	Part#	Description	Qty	Critical or Recommended
1a	<a href="#">4601357</a>	Grease Drawer Assembly - Left Side Full-Straight	1	
1b	<a href="#">4601442</a>	Grease Drawer Assembly - Left Side Full-Flared	1	
2	<a href="#">4600207</a>	Drawer Slide Left - GM	1	
3a	<a href="#">4601358</a>	Grease Drawer Assembly - Right Side Full-Straight	1	
3b	<a href="#">4601443</a>	Grease Drawer Assembly - Right Side Full-Flared	1	
4	<a href="#">4600208</a>	Drawer Slide Right GM	1	
5	<a href="#">F298N</a>	Shoulder Bolt Nickel Plated	4	
6	<a href="#">4601265</a>	Gas QD & Shut Off Valve Assy 3/4in (2 & 3 Platen Gas Model Only)	1	
	<a href="#">4601266</a>	Gas QD & Shut Off Valve Assy 1/2in (1 platen Gas Model Only)	1	
7	<a href="#">4601483</a>	Adjustable Restraining Cable Assembly with Hardware (Gas Model Only)	1	
8	<a href="#">4600598</a>	U-Bar - GM, Pearl	1 per lane	
9	<a href="#">4527294</a>	Teflon Sheet Clip	3 per lane	R
10	<a href="#">4600722</a>	Teflon Rear Loop Hanger	1 per lane	
11	<a href="#">4600866</a>	Teflon Sheet - Gen Mrket with Rear Loop	1 per lane	R
12	<a href="#">4532089</a>	Service Wrench	1	
13	<a href="#">1838701</a>	Platen Levelling Tool	1	

# Information / Warning Stickers



Item#	Part#	Description	Qty	Critical
1	4519712	Label - CE Warning	1	
2	4522374	Label, Pull Plugs	1	
3	4527792	Label, Gas Shut-Off	1	
4	4601259	Label CE Gas Pearl Clamshell	1	
5	1286000	Label Use Only Leg or Casters	1	

Note: Stickers should not be removed under any circumstance, if sticker is damaged replace it immediately.

## Electrical Schematic Diagrams - All Models

---

Electrical schematic diagrams are combined by lanes, right, middle and left lanes. For 1 platen total of one sheet, 2 platen total of two sheets, 3 platen total of three sheets.

Electric General Market (WYE connection)

	<b>Part#</b>	<b>Description</b>
1 PLATEN	4532832	1 Platen - XPE12 WYE
2 PLATEN	4532832	2 Platen - XPE24 WYE
	4532833	
3 PLATEN	4532832	3 Platen - XPE36 WYE
	4532833	
	4532834	

Gas General Market (WYE connection)

	<b>Part#</b>	<b>Description</b>
1 PLATEN	4532835	1 Platen - XPG12 WYE
2 PLATEN	4532835	2 Platen - XPG24 WYE
	4532836	
3 PLATEN	4532835	3 Platen - XPG36 WYE
	4532836	
	4532837	

Electric General Market (DELTA connection)

	<b>Part#</b>	<b>Description</b>
1 PLATEN	4532838	1 Platen - XPE12 DELTA
2 PLATEN	4532838	2 Platen - XPE24 DELTA
	4532839	
3 PLATEN	4532838	3 Platen - XPE36 DELTA
	4532839	
	4532840	



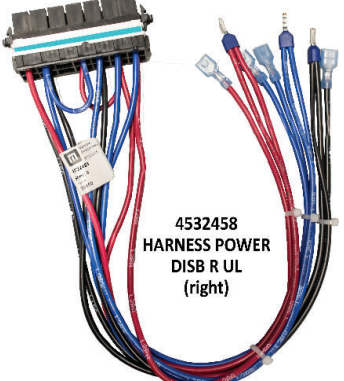


Gas General Market (DELTA connection)

	<b>Part#</b>	<b>Description</b>
1 PLATEN	4532841	1 Platen - XPG12 DELTA
2 PLATEN	4532841	2 Platen - XPG24 DELTA
	4532842	
3 PLATEN	4532841	3 Platen - XPG36 DELTA
	4532842	
	4532843	



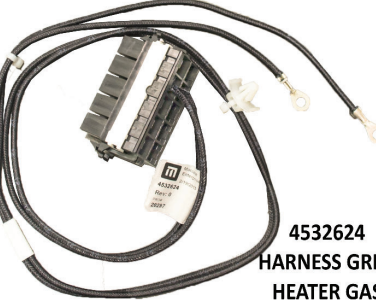

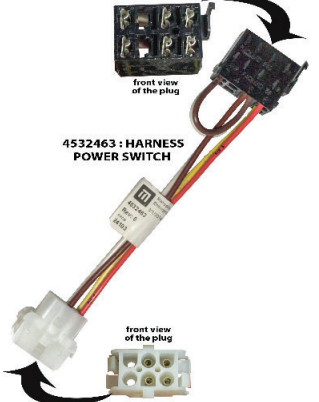
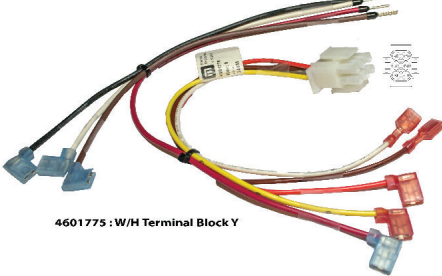
\* Electrical schematic diagrams are not illustrated.

## Wiring Harnesses - All Models

Electrical wiring harnesses are combined by zones, left, middle and right lanes.

 <p style="text-align: center;">4532490 HARNESS POWER DISB L UL (left)</p>	 <p style="text-align: center;">4532489 HARNESS POWER DISB M UL (middle)</p>	 <p style="text-align: center;">4532458 HARNESS POWER DISB R UL (right)</p>
<p><b>4532490</b> : HARNESS POWER DISB L (left) UL From: SSRB Heatsink To: Power Supply</p>	<p><b>4532489</b> : HARNESS POWER DISB M (middle) UL From: SSRB Heatsink To: Power Supply</p>	<p><b>4532458</b> : HARNESS POWER DISB R (right) UL From: SSRB Heatsink To: Power Supply</p>
	<p>1 platen (middle)</p>	
<p>2 platen (left)</p>	<p>2 platen (middle)</p>	
<p>3 platen (left)</p>	<p>3 platen (middle)</p>	<p>3 platen (right)</p>
 <p style="text-align: center;">4532501 HARNESS POWER DISB LEFT CE</p>	 <p style="text-align: center;">4532500 HARNESS POWER DISB MIDDLE CE</p>	
<p><b>4532501</b> : HARNESS POWER DISB L (left) CE From: SSRB Heatsink To: Power Supply</p>	<p><b>4532500</b> : HARNESS POWER DISB M (middle) CE From: SSRB Heatsink To: Power Supply</p>	
	<p>1 platen (middle)</p>	
<p>2 platen (left)</p>	<p>2 platen (middle)</p>	

## Wiring Harnesses - All Models

 <p style="text-align: center;"><b>4532622</b> <b>HARNESS GRILL</b> <b>LIMIT SW. G</b></p>	 <p style="text-align: center;"><b>4532626</b> <b>HARNESS GRILL HEATER (Electric)</b></p>	 <p style="text-align: center;"><b>4532624</b> <b>HARNESS GRILL</b> <b>HEATER GAS</b></p>
<p><b>4532622</b> : HARNESS GRILL LIMIT SW. G From: Thermostat To: Main harness</p>	<p><b>4532626</b> : HARNESS GRILL HEATER E From: To:</p>	<p><b>4532624</b> : HARNESS GRILL HEATER GAS From: Front Heater Element To: SSRB Heatsink Assembly</p>
<p>1, 2 &amp; 3 platen gas only</p>	<p>1, 2 &amp; 3 platen electric only</p>	<p>1, 2 &amp; 3 platen gas only</p>
 <p style="text-align: center;"><b>4532625</b> <b>HARNESS GRILL</b> <b>THERMOSTAT E</b></p>	 <p style="text-align: center;"><b>4532463 : HARNESS</b> <b>POWER SWITCH</b></p>	 <p style="text-align: center;"><b>4601775 : W/H Terminal Block Y</b></p>
<p><b>4532625</b> : HARNESS GRILL THERMOSTAT E From: To:</p>	<p><b>4532463</b> : HARNESS POWER SWITCH From: Main Power Switch To: Harness <b>4601775</b></p>	<p><b>4601775</b> : HARNESS TEMINAL BLOCK From: Harness Power Switch To: Terminal Blocks</p>
<p>1, 2 &amp; 3 platen electric only</p>	<p>1, 2 &amp; 3 platen all models</p>	

THIS PAGE INTENTIONALLY LEFT BLANK



1-844-724-CARE • [www.wbtkitchenare.com](http://www.wbtkitchenare.com)