

Electric/Gas Dual Side XPress Grill with Active Compression

Parts Manual

Models:

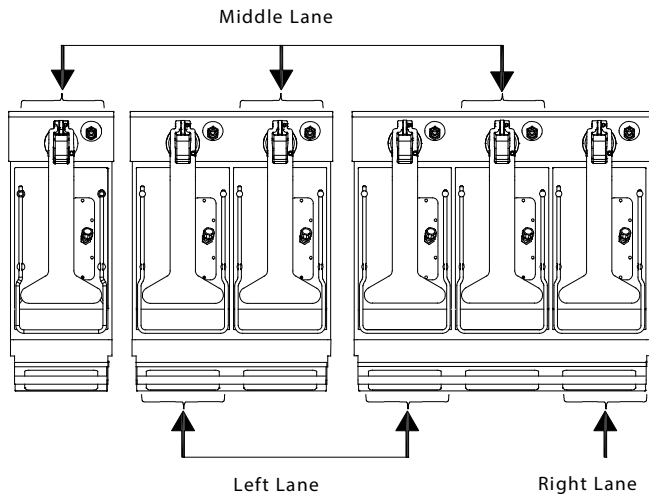
XPE12AC, XPE24AC, XPE36AC

XPG12AC, XPG24AC, XPG36AC



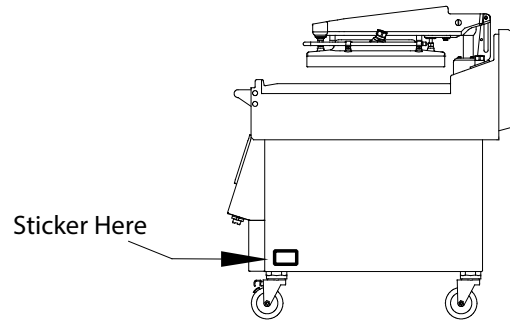
XPRESS GRILL INTRODUCTION - ALL MODELS

XPRESS Grill Lane Configuration



Rating Plate Location

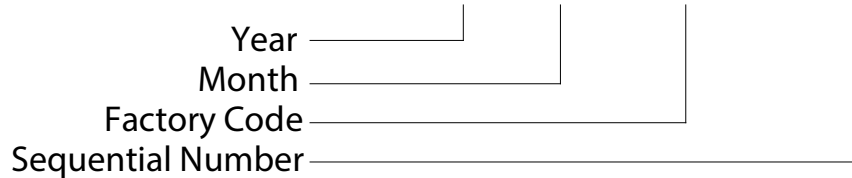
The Rating Plate is affixed to the exterior of the Right Body Panel.



Serial Number Information

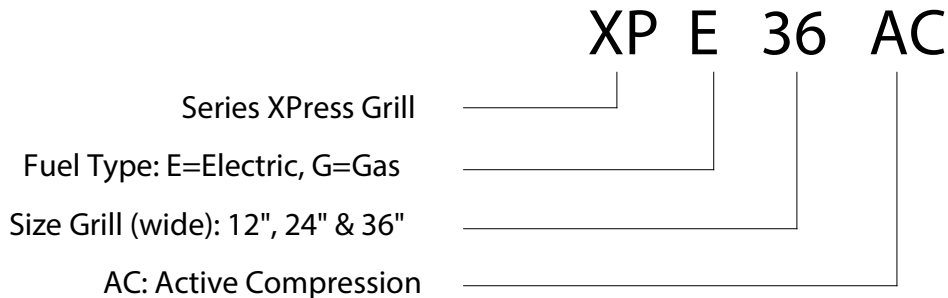
The serial number is 13 digits long and is stamped on the rating plate.

23 02 1001 00123



Reading Serial Plate

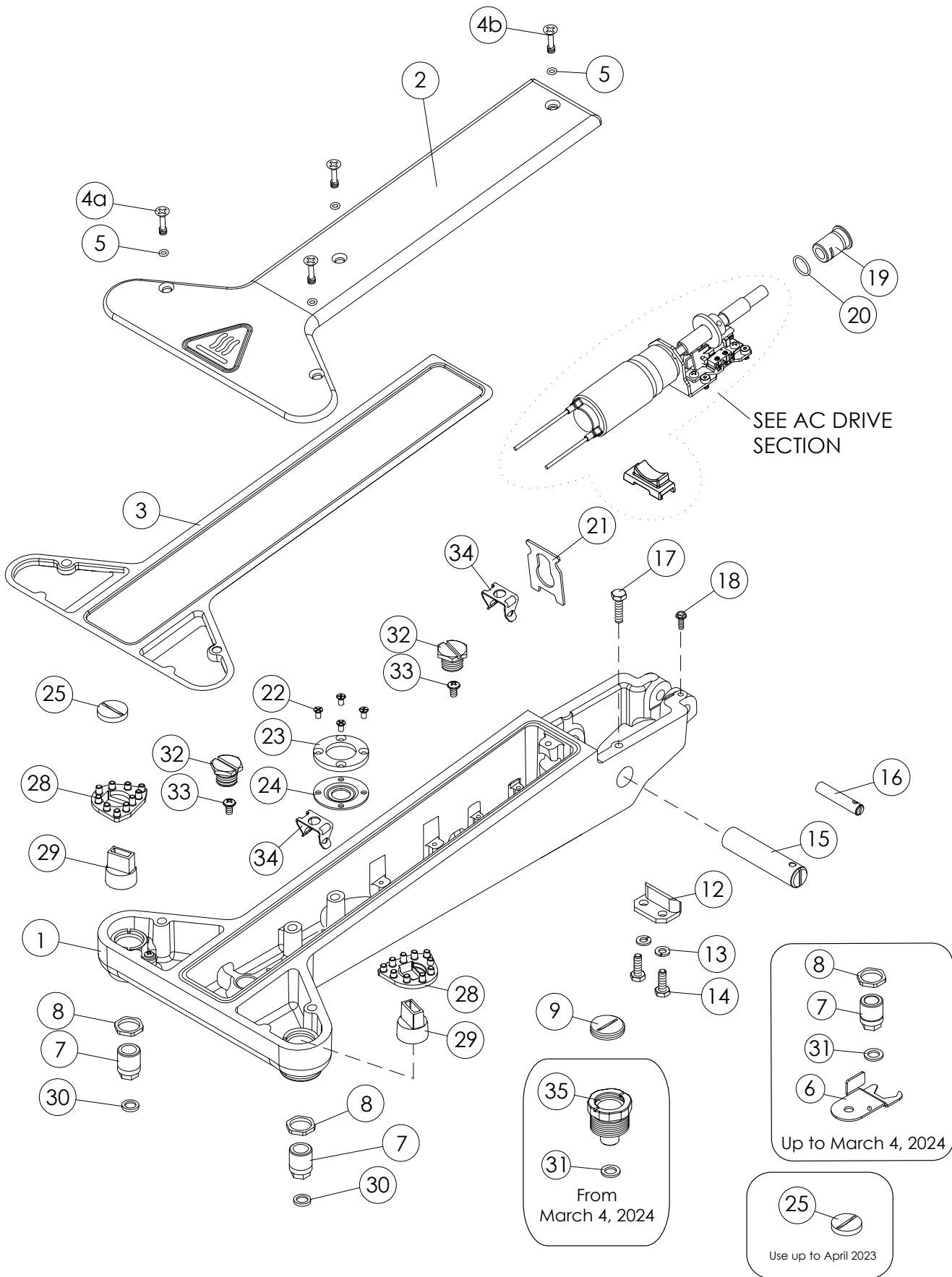
XPress Grill Standard Models:
 XPE12AC, XPE24AC, XPE36AC
 XPG12AC, XPG24AC, XPG36AC



Contents

XPRESS GRILL INTRODUCTION - ALL MODELS	2
PLATEN ARM ASSEMBLY - ALL MODELS	4
AC DRIVE ASSEMBLY - ALL MODELS	6
PLATEN ASSEMBLY (With Access Lid) – ALL MODELS (Units Up To March 4/24)	7
PLATEN ASSEMBLY (No Access Lid) - All MODELS (From March 5/24)	8
SHOULDER BOLT KIT INSTALLATION FOR PLATEN <u>With Access Lid</u> (WAL)	10
SHOULDER BOLT KIT INSTALLATION FOR PLATEN <u>No Access Lid</u> (NAL)	11
ONE PLATEN GRILL EXTERNAL PARTS - XP(E/G)12AC	12
TWO PLATEN GRILL EXTERNAL PARTS - XP(E/G)24AC	14
THREE PLATEN GRILL EXTERNAL PARTS - XP(E/G)36AC	16
CONTROLLER ASSEMBLY - ALL MODELS	18
GARLAND SOFTWARE REPOSITORY INSTRUCTIONS - ALL MODELS	19
BURNER ASSEMBLY PARTS - ALL GAS MODELS	20
BOTTOM GRILL ELEMENTS - ALL ELECTRIC MODELS	22
ELECTRIC COMPONENTS - ALL MODELS	24
SYSTEM INTEGRATION BOARD (SIB) REV10 - ELECTRIC MODELS ONLY	26
SHAFT LIFTING ASSEMBLY - ALL MODELS	28
ACCESSORIES - ALL MODELS	30
INFORMATION/WARNING STICKERS - ALL MODELS	31
ELECTRICAL SCHEMATIC DIAGRAMS - ALL MODELS	32
ELECTRICAL HARNESS - ALL MODELS	33
POWER DIST AND CONFIG JUMPER LIST (Electric Models)	34
POWER DIST AND CONFIG JUMPER LIST (Gas Models)	35
WIRE HARNESS ASSEMBLY - ALL MODELS	36

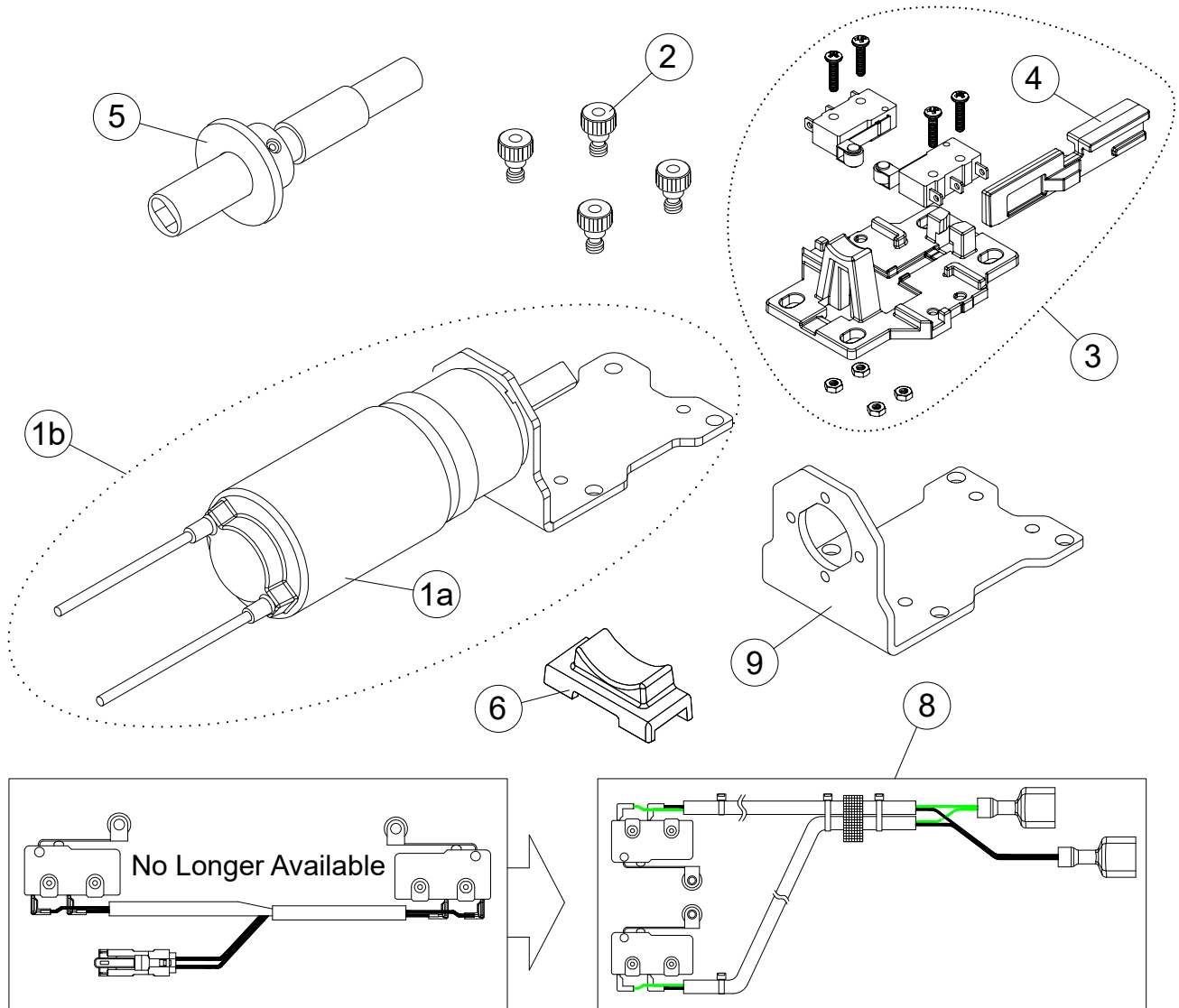
PLATEN ARM ASSEMBLY - ALL MODELS



PLATEN ARM ASSEMBLY - ALL MODELS

ITEM	PART #	DESCRIPTION	QTY	
1	4605893	PLATEN ARM AC W/THREADED BUSHINGS	1	
2	4602711	PLATEN ARM COVER, PEARL	1	
3	4604548	GASKET/SEAL HYBRID - ARM COVER	1	
4a	4603055	SCREW - CAPTIVE SCREW CFA	3	
4b	F872	FLAT HEAD SCREW 1/4-20 X 0.75"	1	
5	4604231	O-RING, ARM COVER (5/16 OD X 3/16 ID X 1/16 THK)	4	
6	4610022	REAR SB RESTRAINT	From April 21, 2023 - Up to March 4, 2024	1
7	4610310	SB EXT ADJ. NUT		
8	4610309	SB THK ADJ. NUT LOCK, PEARL		3
9	4603441	LOCK CAP, GM REAR BUSHING INSERT		1
12	4603163	ARM STOP BLOCK		1
13	F255	LOCKWASHER-1/4 S/S SPLIT		2
14	F767	1/4-20 X 3/4" THREAD-LOCKING CAP SCREW SS		2
15	4602162	ARM LINK PIN, SNG		1
16	4603326	PIN, ARM/KNUCKLE JOINT PEARL		1
17	F753	1/4-20 X 1" SS HEX HD CAP SCREW W/PATCH, GRADE F593C		1
18	F843	#8-32 x 1/2" SS HEX WSHR HD M/C SCREW W/PATCH, GRADE F593C		1
19	4604332	AC NUT		1
20	F880	VITON ORING 1/16" FRAC DASH NO 016		1
21	4604333	RETAINING CLIP, AC NUT		1
22	F717	#8-32X.312 U/CUT FHMS PH SS		4
23	4600566	ARM SEAL CAP		1
24	4600567	ARM SEAL		1
25	4600568	SB CAP, PEARL REPLACE BY ITEM #28 & 29	Up to April 20, 2023	2
28	4610021	SB RESTRAINT RECEIVER	From April 21, 2023	2
29	4610020	SB RESTRAINT		2
30	4605975	SPACER, FRT SB AC		2
31	F879	WASHER 18-8" SS FOR .375" SCREW		1
32	4603442	PLUG - BAUMER SENSOR		2
33	F823	SCREW- RDHMS PH #8-32X5/16"LG SS		2
34	4611329	ARM SPACER		2
35	4610170	BUSHING, ARM REAR AC NON ADJ	From March 4, 2024	1

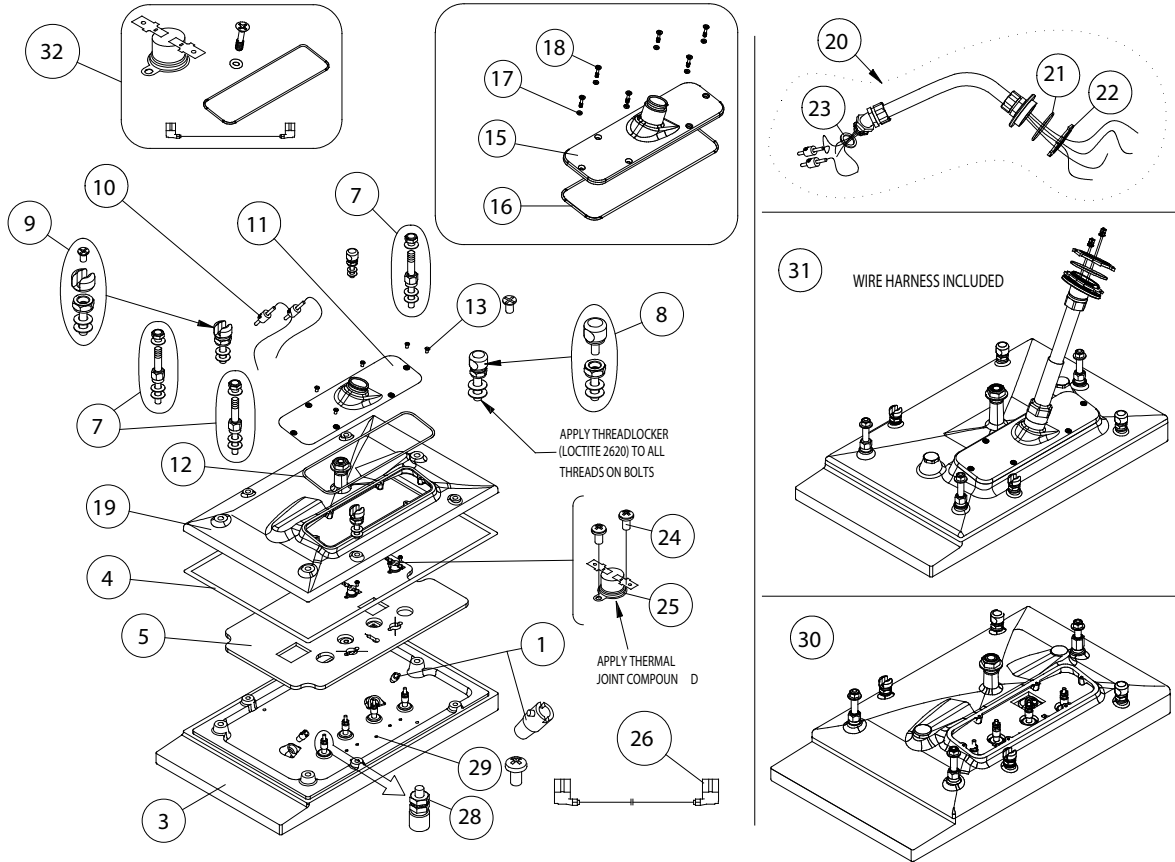
AC DRIVE ASSEMBLY - ALL MODELS



ITEM	PART #	DESCRIPTION	QTY	CRITICAL
1a	4605633	AC MOTOR ASSEMBLY (MOTOR ONLY)	1	C
1b	4608161	MOTOR ASSEMBLY ARM LOCK (MOTOR & BRACKET- INCLUDED)	1	C
2	F888	ALLOY ST 8-32 SHD SCREW	4	C
3	CK4612622	AC POSITION SWITCH ASSEMBLY (SWITCHES, SCREWS, NUTS & SLIDER INCLUDED)	1	C
4	4607391	SLIDER, DS	1	C
5	4608160	AC DRIVE SCREW ASM	1	C
6	4607522	MOTOR SUPPORT	1	
7	4607390	SLIDER RESTRAINT, DS (SWITCHES NOT INCLUDED)	1	
8	CK4610054	SERVICE KIT - AC POSITION SWITCH ASSY ARM (NOTE: WIRE HARDNESS SOLDERED ON MICROSWITCHES) <i>From old to new: Remove the old black connectors then install the 2 female terminals provided in the kit - follow wire color, black with black.</i>	1	C
9	4604327	BRKT, AC MOTOR	1	
10*	4608168	PM SERVICE KIT, AC (ARM COVER GASKET, O-RINGS, AC SWITCHES ASSEMBLY (ITEM#8), SHAFT SEAL, SPLASH SHIELD INCLUDED IN THE KIT)	1	

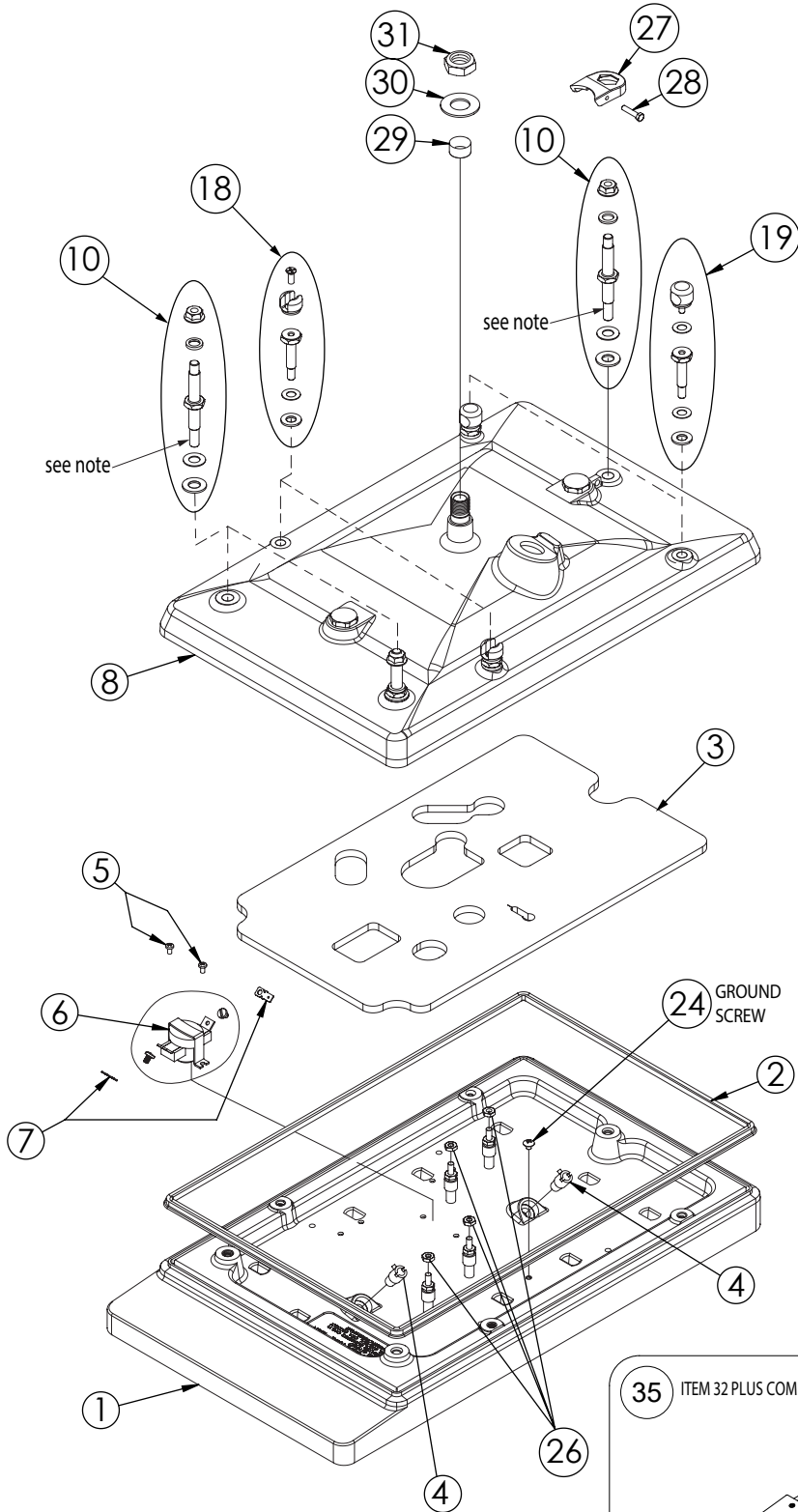
* Not Illustrated

PLATEN ASSEMBLY (With Access Lid) – ALL MODELS (Units Up To March 4/24)

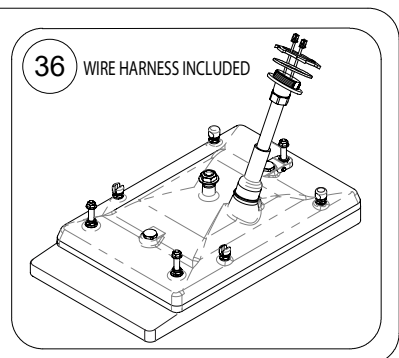
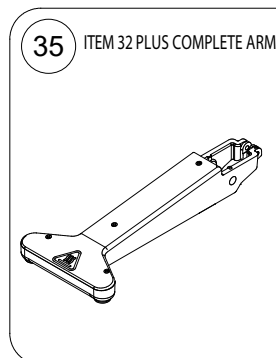
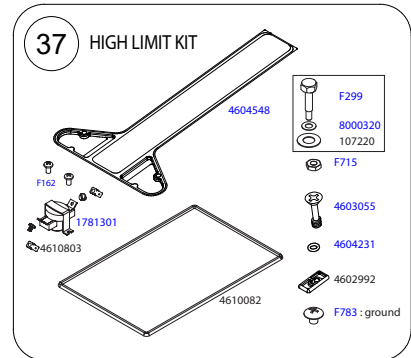
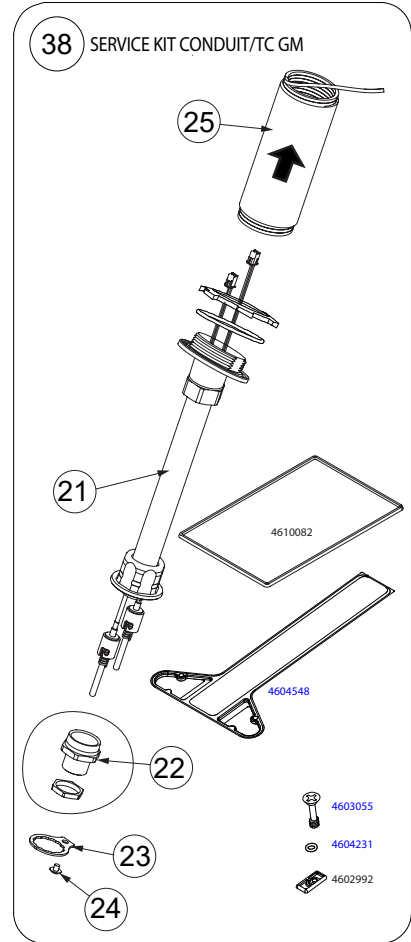


ITEM	PART #	DESCRIPTION	QTY	CRITICAL /REC'D
1	1859402	Platen Bayonet Adapter	2	
3	4532741	Platen Heater 20" x 11.5" (must also replace seal item # 4)	1	
4	4604267	Seal, Cowl to Platen	1	R
5	4600146	Platen Insulation	1	
7	CK4610869	Service Kit - Std Assy, AC & Non-AC Installation Details on page # 10.	Torque requirements: 120 in/lbs 3	R
8	CK4600590	U-Bar Rear Holder Assembly	Torque requirements: 70 in/lbs 2	R
9	CK4600591	U-Bar Front Holder Assembly	Torque requirements: 70 in/lbs 2	R
10	4600100	Platen Thermocouple	2	C
11	4602712	Cowl Access Lid	1	
12	4600584	Seal, Cowl to Lid (FKM O-Ring, As S68A-169)	Up to Dec 2022 1	
13	4603166	Screw, Captive Type #8-32 UNC	6	
15	4604359	Cowl Access Lid, Cast W/Long Neck	From Jan 2023 1	
16	4601963	Seal Quad Lobe - Cowl Access Lid	1	
17	4610024	O-Ring FKM, Access Lid	6	
18	4610025	Screw, Captive Type #8-32 x 11/16 Long	6	
19	4606932	Cowl W/Targets - Wendys	1	
20	CK4610046	Kit - Platen Harness Thermocouple & Conduit W/Hatch - Upto SN2402 Active Compression (AC) Models Only	1	C
21	4600652	O-Ring, AS568A - 137	1	
22	4600653	Conduit Fitting Locknut, 1.5"	1	
23	4600606	Seal Conduit Fitting	1	
24	F162	Screw-6-32 X 1/4" Phillips Pan S/S	4	
25	4609231	TSTAT SPST (OPEN ON RISE 500F, CLOSE 450F)	2	C
26	4602142	JUMPER WIRE PLATEN LIMIT SW	2	
28	F715	#10-32 Hex Keps Nut SS (for the element)	4	
29	F783	#8-32X3/16 Truss M/S SS (ground)	1	
30	4606432	PLATEN ASSEMBLY, Wendy AC	1	R
31	4606117	PLATEN & COWL ASSEMBLY W/CONDUIT GM AC	1	R
32	4610005	SERVICE KIT HIGH LIMIT SWITCH ITEM# 12, 17, 18, 25, 26	SERVICE KIT 1	R

PLATEN ASSEMBLY (No Access Lid) - All MODELS (From March 5/24)

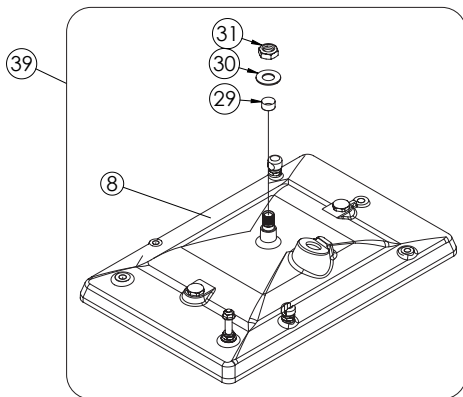


Note:
Apply Threadlocker (Loctite 242) to all bolt thread that threads into item #1



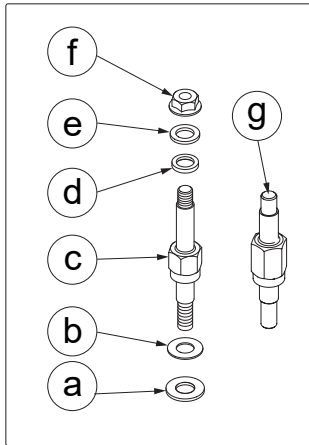
PLATEN ASSEMBLY (No Access Lid) - All MODELS (From March 5/24)

ITEM	PART #	DESCRIPTION	QTY	CRITICAL /REC'D
1	4610027	Platen Heater Assembly 20" Long (must replace cowl seal - item # 2)	1	
2	4610082	Seal - Cowl to Platen (no access lid)	1	C
3	4610091	Platen Insulation (no access lid)	1	R
4	1859402	Platen Bayonet Adaptor	2	
5	F162	Screw 6-32 x 1/4" Phillip Pan S/S	2	
6	1781301	Hi Limit, Open 500 deg F Note: Add item #30 Thermal Compound to underside.	1	
7	4610803	Adapter Tab, Faston Assembly orientation is critical - refer service manual	2	
8	4609805	Cowl Solid W/Target Assembly	1	
10	CK4610869	Service Kit - Std Assembly, AC & Non-AC Torque requirement: 120 in/lbs - Installation Details on page # 11.	3	
13	F934	5/16 -18 18-8 Hex Flange Nut With ND HI	3	
18	CK4610353	U-Bar Holder Assembly Front, NAL Note: follow torque requirement 70lbs.	2	
19	4610352	U-Bar Holder Assembly Rear, NAL Note: follow torque requirement 70lbs	2	
21	CK4610046	Kit - Platen Harness Thermocouple & Conduit W/Hatch - Upto SN2402 <i>Active Compression (AC) Models Only, item 25 included.</i>	1	
22	4610343	Fitting Conduit S/S - Body, Seal & Lock Nut Only	1	
23	4610090	Lock Tab, Conduit Fitting	1	
24	F783	#8-32 X 3/16 Truss M/S SS	2	
25	4604306	Tubing Silicone Cold Shrink 70mm	1	
26	F715	#10-32 Hex Keps Nut SS	4	
27	4610072	Lock Pad, Rear Shoulder Bolt	1	
28	F801	Screw - 8-32 X 3/4L 18-8 Trim HX HD M/S	1	
29	4600702	Igus 5/8 X 3/8 SL	1	
30	F769	Washer, 5/8"SW, - .656ID X 1.312OD, ZP	1	
31	F770	Hex Locknut 5/8" - 18, 25/64H, GR 5, ZP	1	
32	M183	Thermal Compound (Not Shown)	.002	
Service Kits Available				
35	4611173	Service Kit Conduit/TC GM AC No Access Lid	1	
36	CK4610363	Service Kit - platen & cowl assy w/ conduit AC No Access Lid	1	
37	4611144	Kit - Hi Limit All GM SN2403 + NO HATCH	1	C
38	4611145	Kit - Conduit / TC All GM SN2403+ NO HATCH	1	
39	CK4610371	Service Kit - Cowl Assembly Common, No Hatch The gasket must be ordered separately - Item# 2	1	



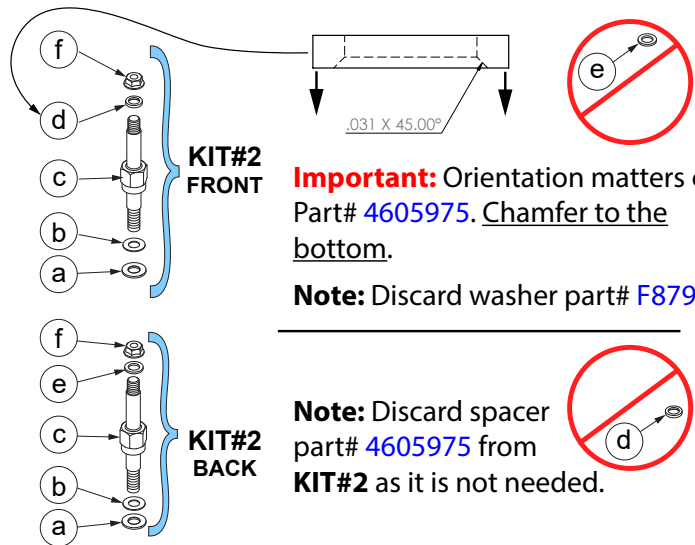
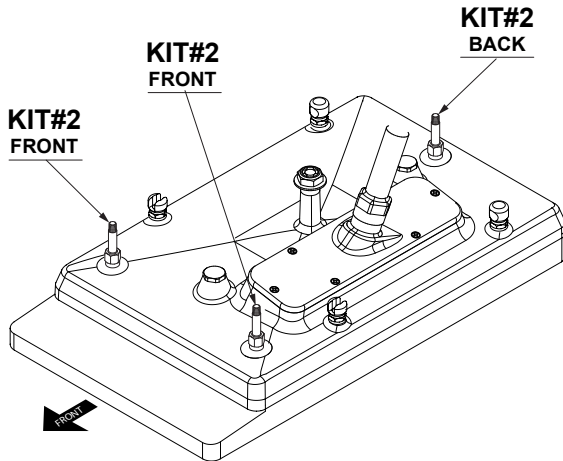
SHOULDER BOLT KIT INSTALLATION FOR PLATEN With Access Lid (WAL)

Active Compression models only



KIT#2			
CK4610869 Service Kit - STD Assy, AC & Non-AC			
	Part #	Description	Qty
a	F720	3/8" SS FLAT WASHER, 13/16" OD	1
b	F719	BEVEL DSW - 3/8", SS	1
c	4600587	STD SB, PEARL	1
d	4605975	SPACER, FRT SB AC	1
e	F879	WASHER 18-8 SS FOR .375" SCREW	1
f	F934	5/16-18 18-8 HEX FLANGE NUT WITH ND HI TEMP PATCH	1
not shown	4611159	PLATEN ARM PIVOT LINK HOLDER PIECE	1
not shown	4610870	INSTRUCTIONS - STD SB ASSY SERVICE KIT	1

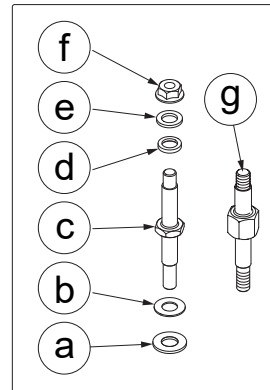
For GM AC Series



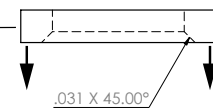
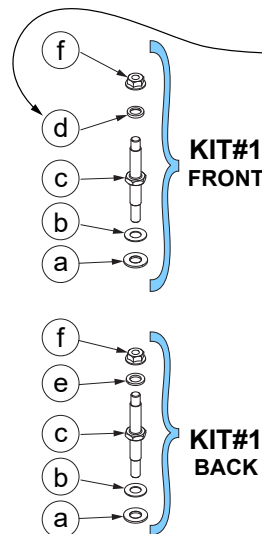
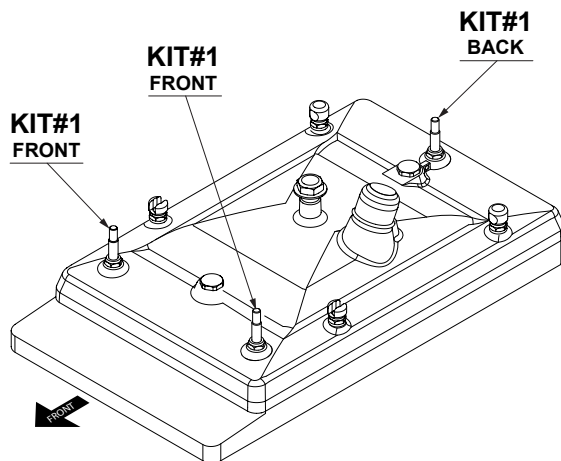
SHOULDER BOLT KIT INSTALLATION FOR PLATEN No Access Lid (NAL)

Active Compression models only

KIT#1			
CK4610093 Service Kit - Std Shoulder Bolt			
	Part #	Description	Qty
a	F720	3/8" SS FLAT WASHER, 13/16" OD	1
b	F719	BEVEL DSW - 3/8", SS	1
c	4610083	SB STD, NO ACCESS LID	1
d	4605975	SPACER, FRT SB AC	1
e	F879	WASHER 18-8 SS FOR .375" SCREW	1
f	F934	5/16-18 18-8 HEX FLANGE NUT WITH ND HI TEMP PATCH	1
not shown	4611159	PLATEN ARM PIVOT LINK HOLDER PIECE	1
not shown	4611250	INSTRUCTIONS - SHLDR BOLT SERVICE KIT, NO HATCH	1



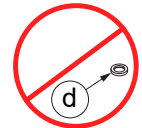
For GM AC Series



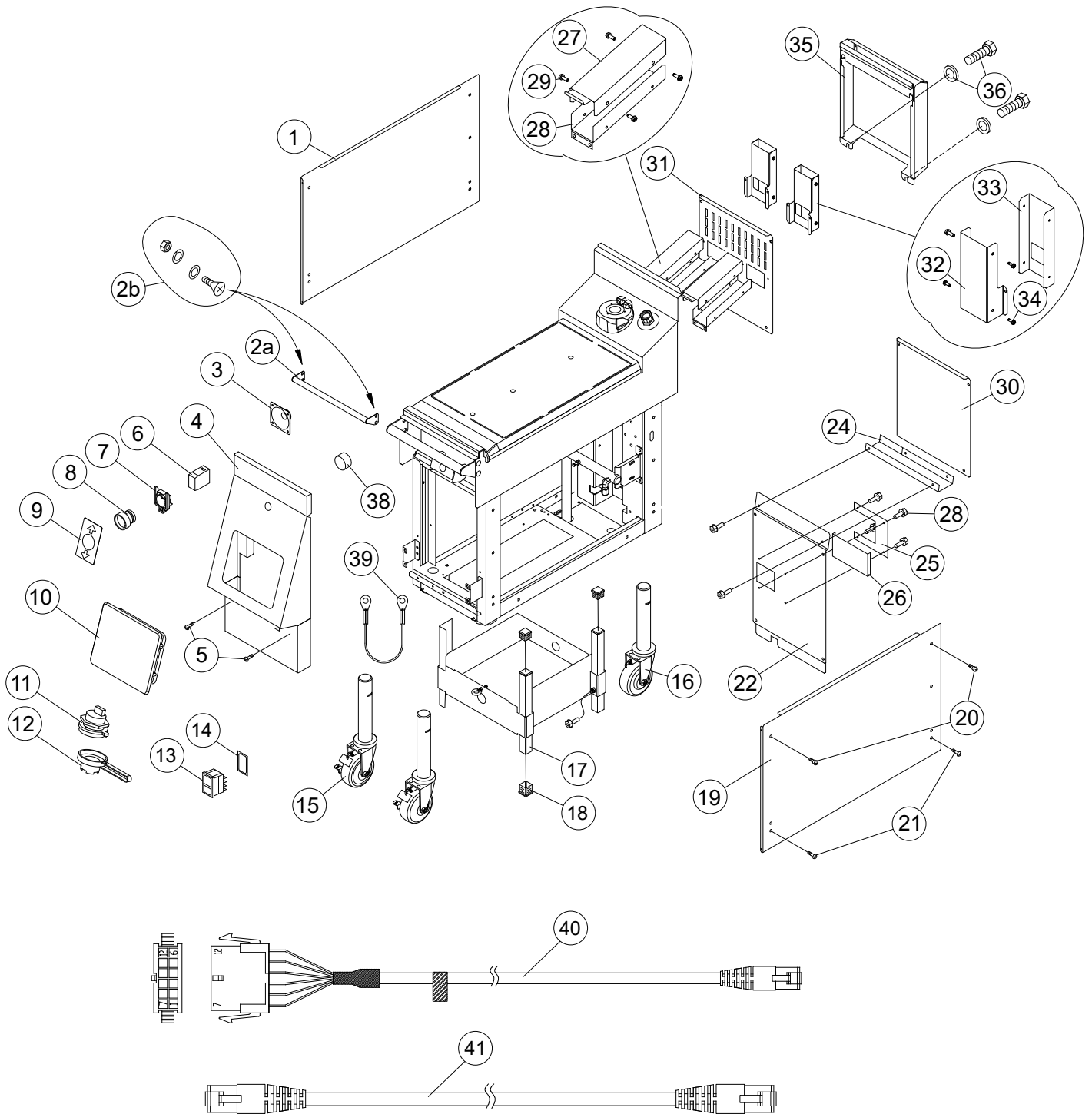
Important: Orientation matters on Part# 4605975. Chamfer to the bottom.

Note: Discard washer part# F879

Note: Discard spacer part# 4605975 from KIT#1 as it is not needed.



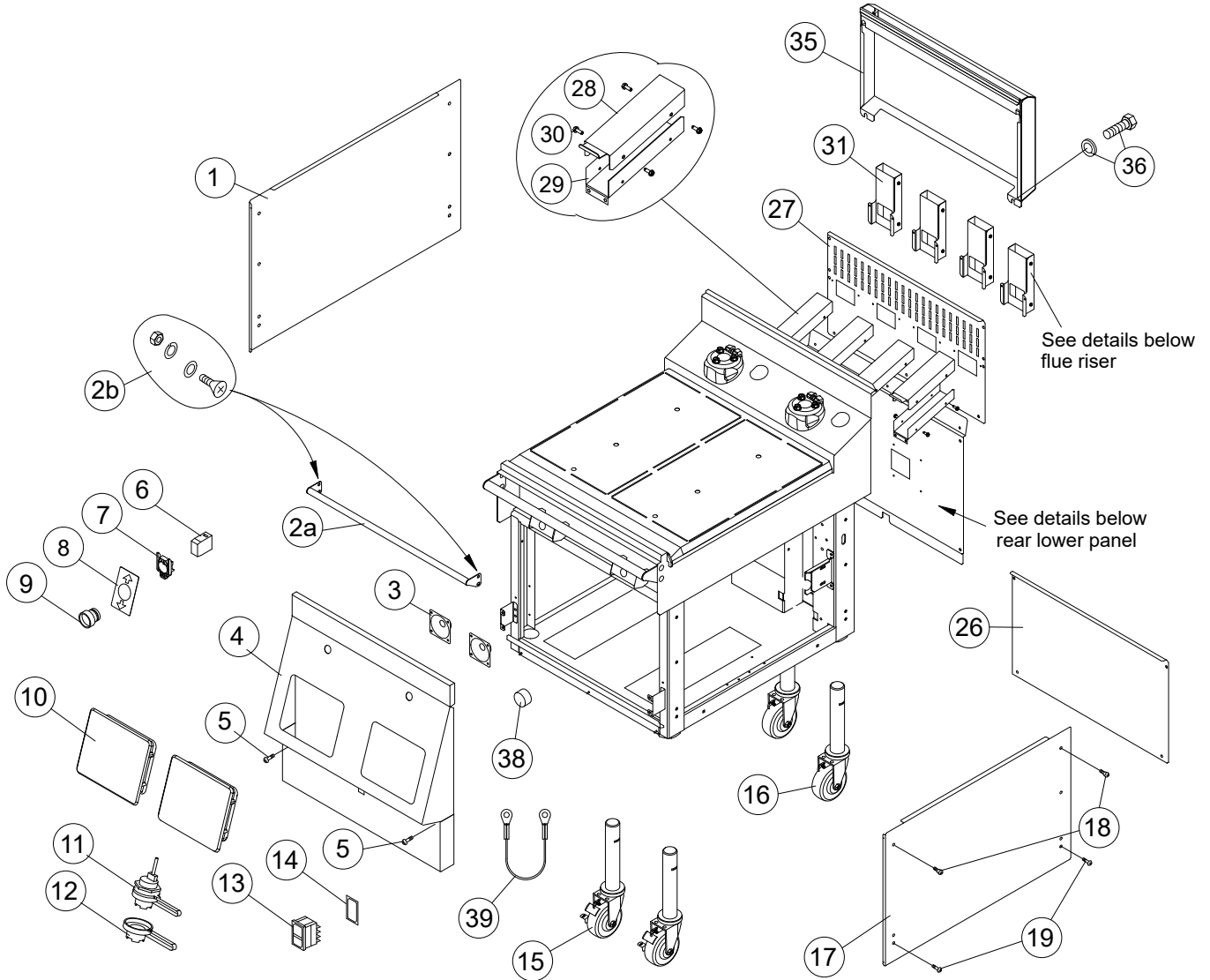
ONE PLATEN GRILL EXTERNAL PARTS - XP(E/G)12AC



ONE PLATEN GRILL EXTERNAL PARTS - XP(E/G)12AC

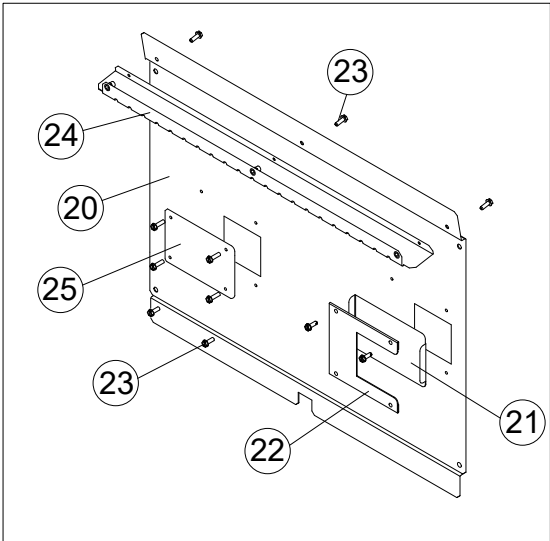
ITEM	PART #	DESCRIPTION	QTY	CRITICAL /REC'D
1	4532768	BODY SIDE, RT	1	
2a	4600189	TOWEL BAR ASSEMBLY 12	1	
2b	F711	5/16-18 X 5/8" FLAT HEAD MACHINE SCREW SS	4	
	F756	5/16 18-8 SS FLAT WASHER 11/16 OD X .05" -.08" THK	4	
	F258	LOCKWASHER-5/16 S/S SPLIT	4	
	F241	NUT 5/16-18 HEX SS	4	
3	4602687	SPEAKER, 8 Ohm	1	C
4	4605043	CONTROL PANEL, ELECTRIC 1P	1	
	4605045	CONTROL PANEL, GAS 1P	1	
5	8003128	10-24 X 1/2IN S/S TH PHIL MS	2	
6	1859606	CONTACT BLOCK	1	C
7	1859607	MOUNTING LATCH	1	C
8	1859605	CANCEL PUSH BUTTON GREEN	1	C
9	4601706	PUSH BUTTON LABEL	1	
10	MORE DETAILS GO TO: "CONTROLLER ASSEMBLY - ALL MODELS" on page 18			
11	4532040	USB CABLE ASSY C/W LOCK NUT	1	C
12	4532043	USB CABLE ASSY COVER	1	R
13	4600614	SWITCH, MAIN POWER w/LIGHT 250VAC 10A	1	C
14	4523360	SWITCH LABEL	1	
15	4532675	CASTER 1-1/2-12 STEM SEP. SWIVEL & WHEEL LOCK	2	
16	4532676	CASTER 1-1/2-12 STEM SWIVEL LOCK ONLY	2	
17	4600956	STABILITY POST	4	
18	4600957	POST CAP 1IN SQ	8	
19	4532769	BODY SIDE LT	1	
20	F298N	#10-24x 3/8 SHOULDER BOLT NICKEL PLATED	2	
21	8003128	10-24 X 1/2IN S/S TH PHIL MS	2	
22	4600181	REAR PANEL, LOWER 1P	1	
24	4600959	DRIP CHANNEL LWR BACK 1P	1	
25	4532765	GUIDE - CIRCUIT BREAKER COVER	1	
26	4600266	SLIDE COVER CIRCUIT BREAKER	1	
27	4602047	FLUE EXHAUST TOP - 1P GAS	2	
28	4602046	FLUE EXHAUST BOTTOM - 1P GAS	2	
29	F588	SCREW	8	
30	4602029	REAR PANEL UPPER 1P - ELECTRIC WIDER	1	
31	4602026	REAR PANEL UPPER 1P - GAS	1	
32	4602750	FLUE RISER FRONT	2	
33	4602031	FLUE RISER BACK	2	
34	F588	SCREW #10-24X1/2" HEX HD TYPE F	8	
35	4602034	FLUE BOX ASSY GM 12 - GAS	1	
36	F592	#10-24x3/4 FLANGE WHIZ-LOCK SCREW	2	
	F158	WASHER-11/16ODX13/64IDX1 /16FLA	2	
38	4600972	WINDOW PLUG CLEAR	1	
39	4611402	STEEL CABLE, Ø3/64 X 10"L, 7X7, EYE TO EYE	1	
40	4606887	ADAPTER CABLE UI-SIB	1	
41	4608247	CABLE EXT RJ45 PLUG TO PLUG, MERCO	1	

TWO PLATEN GRILL EXTERNAL PARTS - XP(E/G)24AC

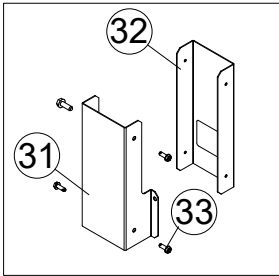


See details below
flue riser

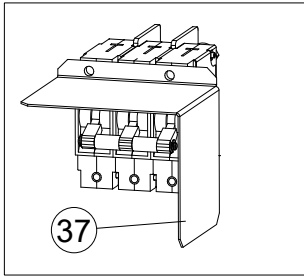
See details below
rear lower panel



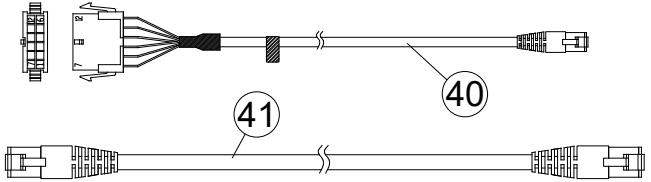
rear lower panel (1 input shown)



flue riser



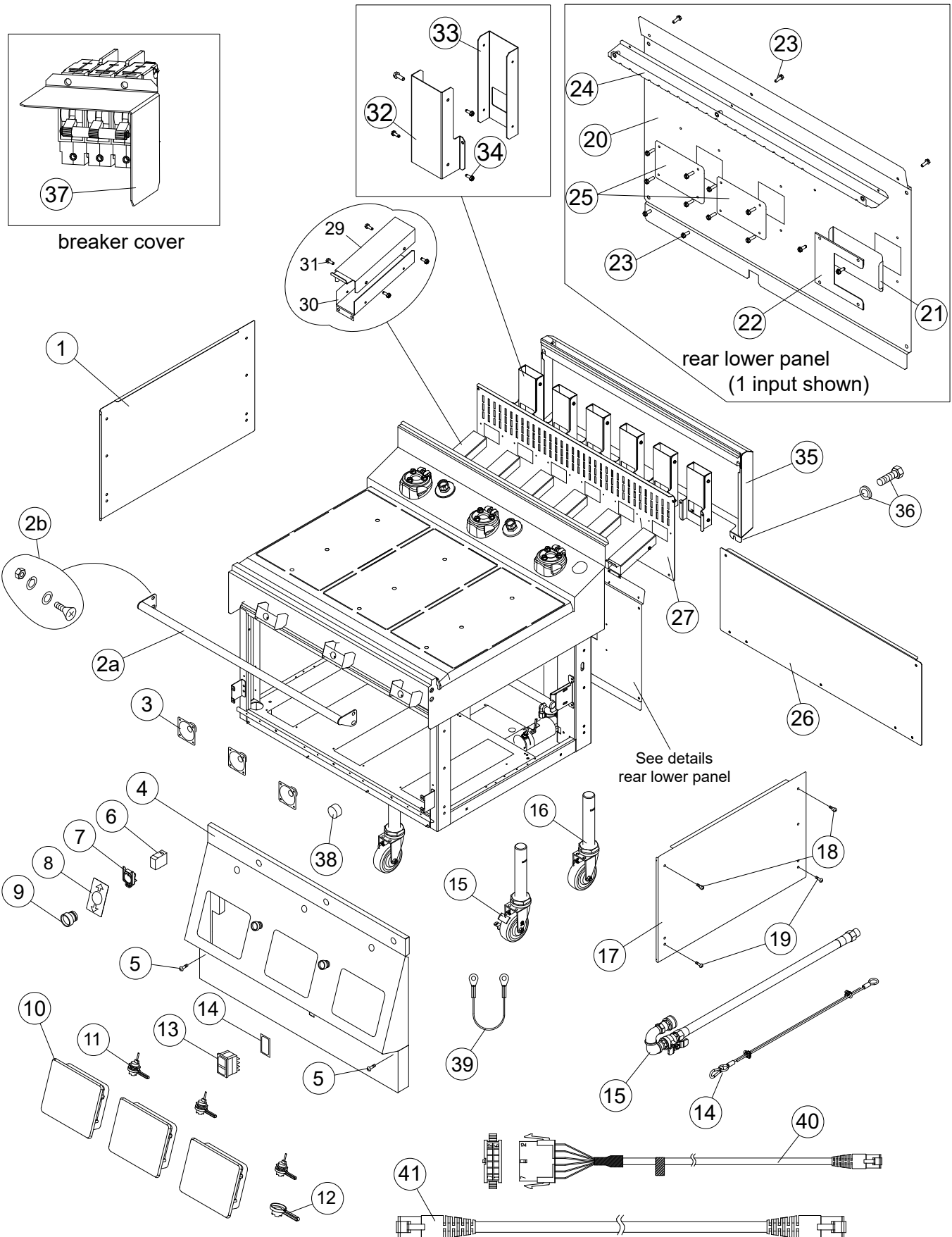
breaker cover



TWO PLATEN GRILL EXTERNAL PARTS - XP(E/G)24AC

ITEM	PART #	DESCRIPTION	QTY	CRITICAL /REC'D
1	4532768	BODY SIDE, RT	1	
2a	4532366	TOWEL BAR ASSEMBLY 2P	1	
2b	F711	5/16-18 X 5/8" FHMS SS	4	
	F756	5/16 18-8 SS FLAT WASHER 11/16 OD X .05" -.08" THK	4	
	F258	LOCKWASHER-5/16 S/S SPLIT	4	
	F241	NUT 5/16-18 HEX SS	4	
3	4602687	SPEAKER, 8 Ohm	2	C
4	4608114	CONTROL PANEL 2P, GM ELECTRIC	1	
	4605049	CONTROL PANEL 2P, GAS	1	
5	8003128	10-24 X 1/2IN S/S TH PHIL MS	2	
6	1859606	CONTACT BLOCK	1	C
7	1859607	MOUNTING LATCH	1	C
8	4601706	PUSH BUTTON LABEL	1	
9	1859605	CANCEL PUSH BUTTON GREEN	1	C
10	MORE DETAILS GO TO: "CONTROLLER ASSEMBLY - ALL MODELS" on page 18		-	-
11	4532040	USB CABLE ASSY C/W LOCK NUT	1	C
12	4532043	USB CABLE ASSY COVER	1	R
13	4600614	SWITCH, MAIN POWER w/LIGHT 250VAC 10A	1	C
14	4523360	SWITCH LABEL	1	
15	4532675	CASTER 1-1/2-12 STEM SEP. SWIVEL & WHEEL LOCK	2	
16	4532676	CASTER 1-1/2-12 STEM SWIVEL LOCK ONLY	2	
17	4532769	BODY SIDE LT	1	
18	F298N	#10-24x 3/8 SHOULDER BOLT NICKEL PLATED	2	
19	8003128	10-24 X 1/2IN S/S TH PHIL MS	2	
20	4532764	REAR PANEL, LOWER 2P	1	
21	4600266	SLIDE COVER CIRCUIT BREAKER NOTE: 2 INPUTS QUANTITY DOUBLE	1	
22	4532765	GUIDE - CIRCUIT BREAKER COVER NOTE: 2 INPUTS QUANTITY DOUBLE	1	
23	F588	SCREW #10-24X1/2" Hex HD Type F	1	
24	4600960	DRIP CHANNEL LOWER BACK 2P	1	
25	4600522	BREAKER COVER PLATE NOTE: MODELS WITH 1 INPUT ONLY	1	
26	4602028	REAR PANEL UPPER 2P - ELECTRIC WIDER	1	
27	4602025	REAR PANEL UPPER 2P - GAS	1	
28	4602047	FLUE EXHAUST TOP - 2P GAS	4	
29	4602046	FLUE EXHAUST BOTTOM - 2P GAS	4	
30	F588	SCREW	16	
31	4602750	FLUE RISER FRONT	4	
32	4602031	FLUE RISER BACK	4	
33	F588	SCREW #10-24X1/2" HEX HD TYPE F	16	
35	4602033	FLUE BOX ASSY GM 24 - GAS	1	
36	F592	#10-24x3/4 FLANGE WHIZ-LOCK SCREW	2	
	F158	WASHER-11/16ODX13/64IDX1 /16FLA	2	
37	4600135	COVER - CIRCUIT BREAKER	1	
38	4600972	WINDOW PLUG CLEAR	2	
39	4611402	STEEL CABLE, Ø3/64 X 10"L, 7X7, EYE TO EYE	2	
40	4606887	ADAPTER CABLE UI-SIB	2	
41	4608247	CABLE EXT RJ45 PLUG TO PLUG, MERCO	2	

THREE PLATEN GRILL EXTERNAL PARTS - XP(E/G)36AC



THREE PLATEN GRILL EXTERNAL PARTS - XP(E/G)36AC

ITEM	PART #	DESCRIPTION	QTY	CRITICAL /REC'D
1	4532768	BODY SIDE, RT	1	
2a	4600224	TOWEL BAR ASSY 3P	1	
2b	F711	5/16-18 X 5/8" FHMS SS	4	
	F756	5/16 18-8 SS FLAT WASHER 11/16 OD X .05" -.08" THK	4	
	F258	LOCKWASHER-5/16 S/S SPLIT	4	
	F241	NUT 5/16-18 HEX SS	4	
3	4602687	SPEAKER, 8 Ohm	3	C
4	4605051	CTRL PNL 3P, JABIL ELECTRIC	1	
	4605073	CTRL PNL ASSY 3P, JABIL GAS	1	
5	8003128	10-24 X 1/2IN S/S TH PHIL MS	2	
6	1859606	CONTACT BLOCK	1	C
7	1859607	MOUNTING LATCH	1	C
8	4601706	PUSH BUTTON LABEL	1	
9	1859605	CANCEL PUSH BUTTON GREEN	1	C
10	MORE DETAILS GO TO: "CONTROLLER ASSEMBLY - ALL MODELS" on page 18		-	-
11	4532040	USB CABLE ASSY C/W LOCK NUT	1	C
12	4532043	USB CABLE ASSY COVER	1	R
13	4600614	SWITCH, MAIN POWER w/LIGHT 250VAC 10A	1	C
14	4523360	SWITCH LABEL	1	
15	4532675	CASTER 1-1/2-12 STEM SEP. SWIVEL & WHEEL LOCK	2	
16	4532676	CASTER 1-1/2-12 STEM SWIVEL LOCK ONLY	2	
17	4532769	BODY SIDE LT	1	
18	F298N	#10-24x 3/8 SHOULDER BOLT NICKEL PLATED	2	
19	8003128	10-24 X 1/2IN S/S TH PHIL MS	2	
20	4600215	REAR PANEL, LOWER 3P	1	
21	4600266	SLIDE COVER CIRCUIT BREAKER	1	
22	4532765	GUIDE - CIRCUIT BREAKER COVER	1	
23	F588	SCREW #10-24X1/2" Hex HD Type F	1	
24	4600960	DRIP CHANNEL LOWER BACK 2P	1	
25	4600522	BREAKER COVER PLATE	2	
26	4602027	REAR PANEL UPPER 3P ELEC WIDER	1	
27	4602020	REAR PANEL UPPER ASSY, 3P GAS	1	
29	4602047	FLUE EXHAUST TOP - 3P GAS	4	
30	4602046	FLUE EXHAUST BOTTOM - 3P GAS	4	
31	F588	SCREW #10-24X1/2" HEX HD TYPE F	16	
32	4602750	FLUE RISER FRONT	2	
33	4602031	FLUE RISER BACK	2	
34	F588	SCREW #10-24X1/2" HEX HD TYPE F	8	
35	4602032	FLUE BOX ASSY GM 36 - GAS	1	
36	F592	#10-24x3/4 FLANGE WHIZ-LOCK SCREW	2	
	F158	WASHER-11/16ODX13/64IDX1 /16FLA	2	
37	4600135	COVER - CIRCUIT BREAKER	1	
38	4600972	WINDOW PLUG CLEAR	3	
39	4611402	STEEL CABLE, Ø3/64 X 10"L, 7X7, EYE TO EYE	1	
40	4606887	ADAPTER CABLE UI-SIB		
41	4608247	CABLE EXT RJ45 PLUG TO PLUG, MERCO		

CONTROLLER ASSEMBLY - ALL MODELS

CC: Common Controller

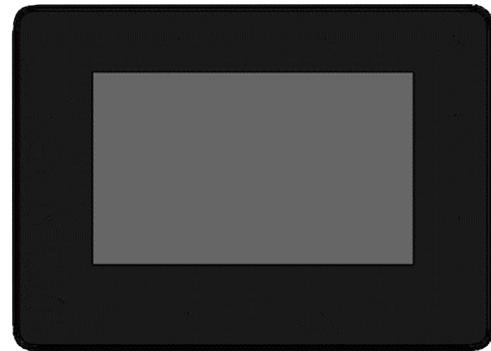


Ux = Ultratronik



Newer version (aka Merco)

**Ux and Ux+WiFi
appear identical**



Older version (aka HRCB+)

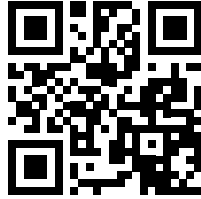
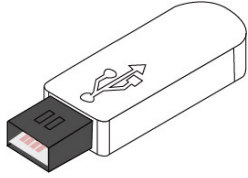
All controllers on a single unit should be the same type (ie: all CC or all Ux)

SERVICE KITS		CC	Ux	Ux + KC WiFi
GM AC, 2in	Electric	4612563		
GM AC, 2in	Gas		4612596	
GM AC, 1in	Electric	4612563		
GM AC, 1in	Gas		4612596	
Wendy's	Electric	4612563		
Wendy's	Gas		4612596	
Chipotle	Electric			4611358
WAB	Electric	4612565		4612592
Brinker	Electric	4612563		

GARLAND SOFTWARE REPOSITORY INSTRUCTIONS - ALL MODELS

Garland Software repository instructions

Upload the latest software version that can be found in the Garland Software Repository.



1. Using a blank USB drive. a. Go to qrcare.ca/login

b. If visiting for the first time, click on Register to create an account Figure 2. If you already have an account, enter your email and password to login and skip to Step 6.



Figure 2

c. To register, enter your first name, last name, email address and create a password Figure 3.

d. When done, click the Register button and the system will send a verification email to the address you entered.

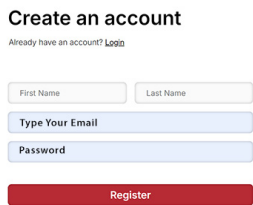


Figure 3

e. Go to the email and click the link to confirm your registration. The link will take you to the Product Catalog page.



Figure 4

f. From the Product Catalog page, type in <https://qrcare.ca/service-files> in the address bar of your browser.



g. This will take you to the Service Files page where you can access software and recipes

IMPORTANT NOTE

To determine the latest software required by the unit, please refer to the information provided in the Excel document (shown below), which can be downloaded.

Service Files

Name	Last Modified
..	
Software (standard update)	2025-02-06
Updater (factory reset & recovery)	2025-02-18
Service Bulletin files (software related)	2024-12-17
LATEST SOFTWARE TABLE.xlsx	2025-02-18

Within the 'Software' folder, you can find all the software available for the grill.

Service Files

Name	Last Modified
Recipes	2024-10-23
Software	2024-12-19

Figure 5

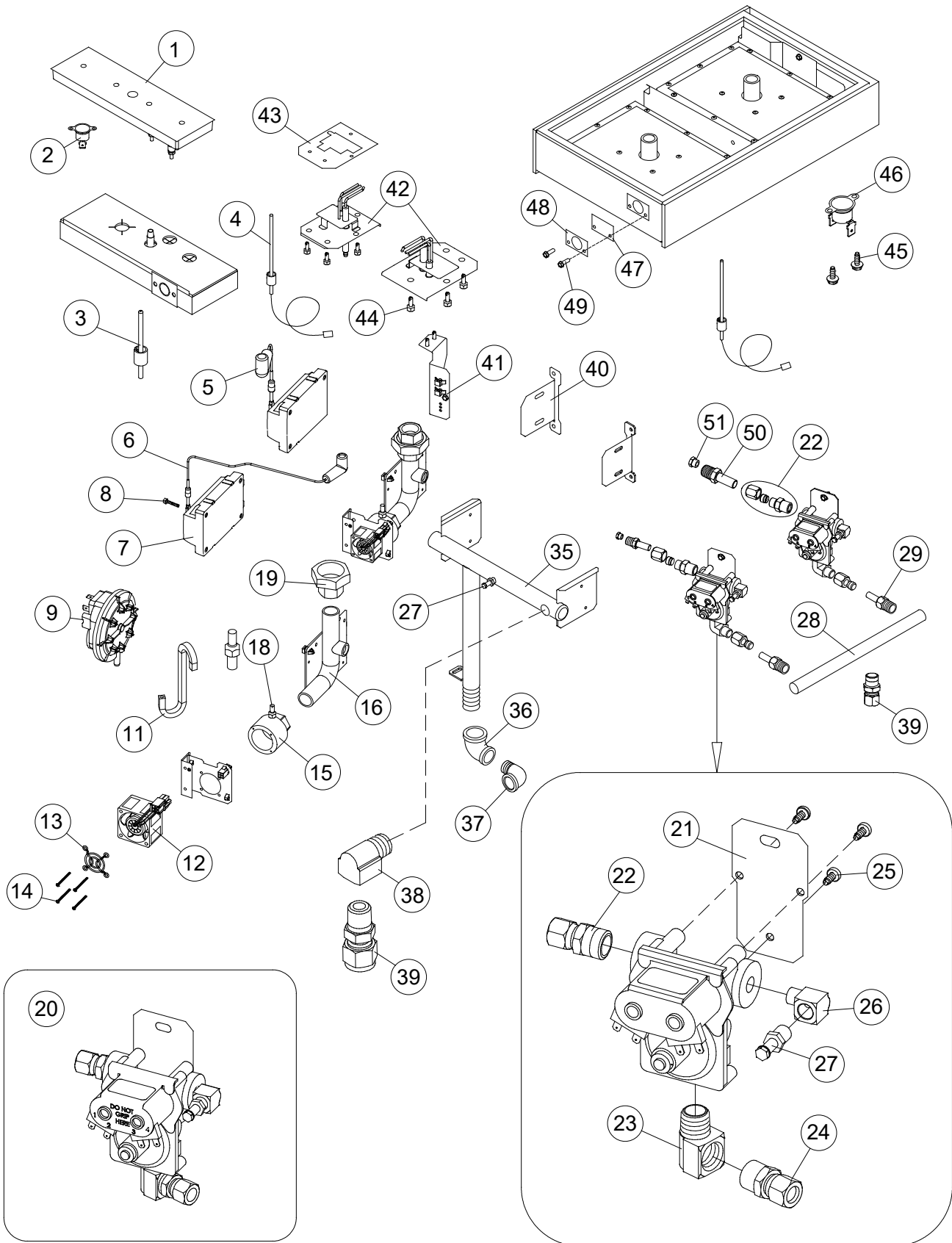
Note: When you click on any software under Software (Standard Update), you will see two or three files available. One of them will be the **README** file, which contains the instructions.



- Download Software (SW-X-GP-X. X. X. X. X.zip file) on your computer or laptop, and unzip the file.
- Insert the USB drive into an available USB port on your computer or laptop.
- Navigate into the unzipped folder, select all the files, then copy and paste them onto the blank USB provided in the kit.

Note: After you have finished copying the files, make sure to safely eject the USB drive. Right-click on the USB drive icon and select "Eject" (Windows) or drag the USB drive icon to the trash (Mac)

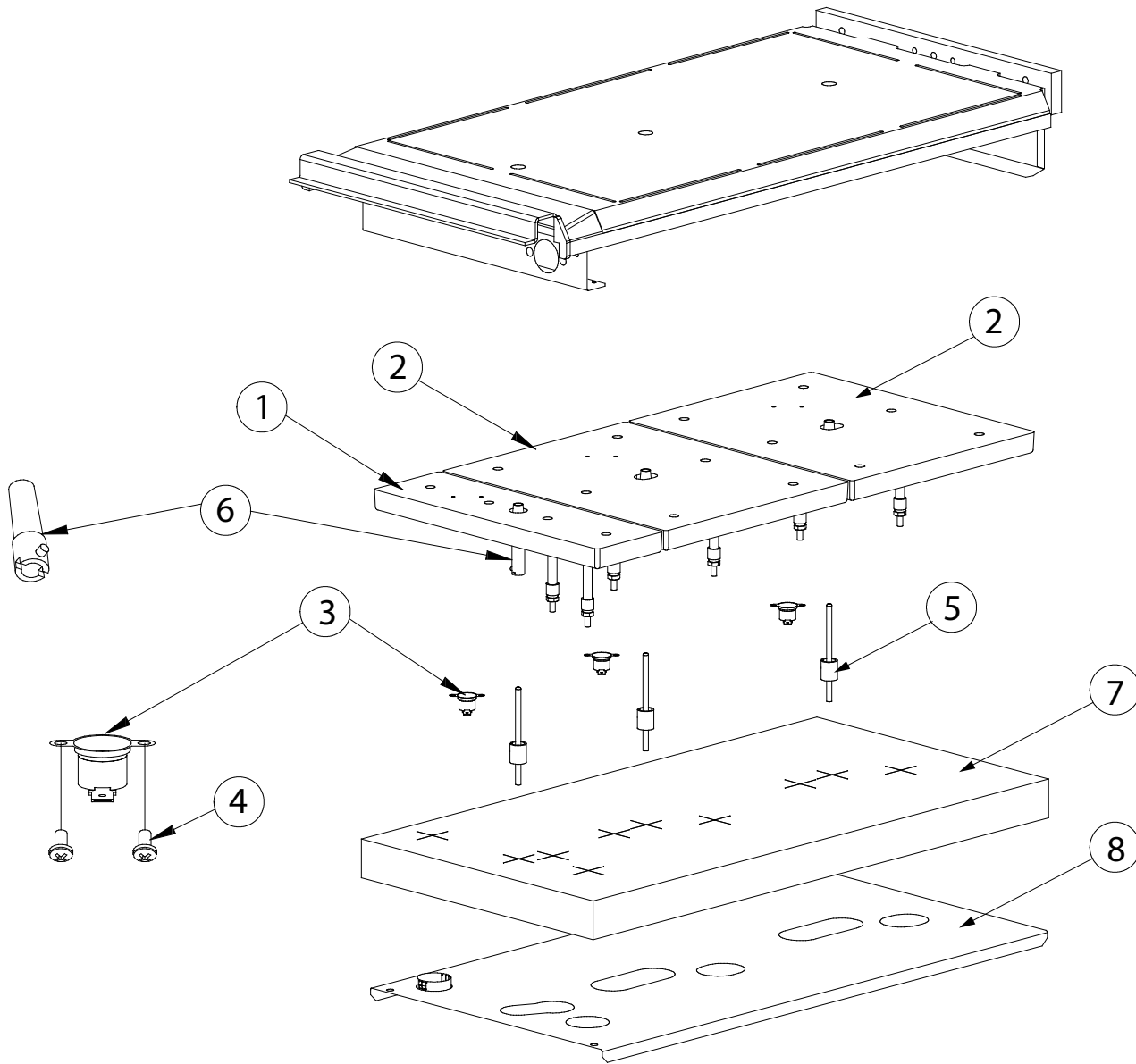
BURNER ASSEMBLY PARTS - ALL GAS MODELS



BURNER ASSEMBLY PARTS - ALL GAS MODELS

ITEM	PART #	DESCRIPTION	QTY PER LANE	CRITICAL /REC'D
1	4532397	FRONT HEATER CASTING (small)	1	
2	4531977	THERMOSTAT SPST (open on rise 500F, close 450F)	1	C
3	4600101	GRILL PLATE THERMOCOUPLE ELECTRIC	1	C
4	4600280	GRILL PLATE THERMOCOUPLE GAS	2	C
5	4600092	H.V. Cable Teflon Back, 90 Deg Rajah To 1/4 QC, 6.5in Long	1	C
6	4600067	H.V. Cable Teflon Front, 90 Deg Rajah To 1/4 QC, 14in Long	1	C
7	4601966	IGNITION MODULE 24VDC	2	C
8	F794	SCREW #8-32 X 1" LONG, SL HEX WSHR HD STS, ZINC PLTD	8	
9	4601975	PRESSURE SWITCH - HUBA MODEL 605, N. OPEN, GREY, PR 0.15" W.C.	2	C
	4604010	PRESSURE SWITCH ASSY, GREEN PRINT PLATE, PR 0.51" WC	2	
	4604011	PRESSURE SWITCH - HUBA MODEL 605, N. OPEN, GREEN, PR 0.51" WC	2	
	4601976	PRESSURE SWITCH ASSY, GREY PRINT PLATE, PR 0.15 WC	2	
11	4601157	TUBING EPDM 3/16 ID, 3/8 SQ OD, 9.5in Long, Kink Resistant	2	
12	4600056	FAN 40MM X 40MM X 28MM W/Lead Wires & Connector	2	C
13	4600905	GUARD FAN, WIRE FORM STYLE, STD 40MM Size	2	
14	F738	#4-40 X 1-1/2, ZINC PLATED PAN HD PHLPS MACHINE SCREW	8	
15	4600064	FAN MTG FITTING W / PRESSURE TAP	2	
16	4600053	BURNER INLET MNFLD WELDMENT	2	
18	4600093	SPIGOT - FAN FITTING	2	
19	G01963-1	UNION 3/4 NPT	2	
20	4601809	VALVE ASSY - PRO GAS/G31, 4IN WC	2	C
	4601970	VALVE ASSY - NAT GAS/G20, 4IN WC	2	C
	4600010	VALVE ASSY COMMON, BRASS FITTINGS	2	C
	4604012	VALVE ASSY - BUTANE (G30), LPG (G30/31), 3.5IN WC	2	C
21	4600048	PLATE VALVE MTG	2	
22	4525531	MALE 3/8TX3/8P STR. CON. VERSA 68-6C	2	
23	4603886	ELBOW 3/8 NPT BRASS	2	
24	4525531	MALE 3/8TX3/8P STR. CON. VERSA 68-6C	2	
25	F10	SCREW-8-32X 3/8IN TYPEFPAN HD	6	
26	G01917-1	ELBOW 1/8INNPT STR. BRASS 115-A	2	
27	G02251-1	PRESSURE TEST SPIGOT	2	
28	4603880	SUB - MANIFOLD PIPE	1	
29	4603881	ADAPTER 1/4 NPT TO 3/8 TUBE BRASS	2	
35	4600352	MANIFOLD ASSEMBLY - 1 PLATEN	1	
	4600379	MANIFOLD ASSEMBLY - 2 PLATEN	1	
	4600073	MANIFOLD ASSEMBLY - 3 PLATEN	1	
36	G01474-5	ELBOW - 3/4 NPT	1	
37	G01475-1	Elbow - Street 1/2IN NPT 90 DEG	1	
38	4603883	ELBOW 1/4 NPT BRASS	2	
39	4603882	STRAIGHT 1/4 NPT TO 3/8 TUBE STEEL INSTR COMPRESSION	2	
40	4600680	MANIFOLD BRACKET	2	
41	4600021	BRACKET VALVE HANGER	2	
42	CK4603275	ELECTRODE & GASKET ASSEMBLY NOTE: GASKET INCLUDED	2	C
43	4602051	GASKET ELECTRODE ASSY	2	C
44	F588	Screw #10-24X1/2" Hex HD TYPE F S.N.#GARL92144	10	
45	F757	#6-32 X 3/8" Phillips Pan Screw	2	
46	4600483	THERMOSTAT SPST (open on rise 500F, close 450F)	1	C
47	4600684	MICA - CLEAR VIEW LENS	2	
48	4600521	SIGHT GLASS FRAME S/S	2	
49	F789	10-24X1/2 T410 SS HX/W/HD T-F T/C SC	4	
50	4603885	ORIFICE ADAPTER 1/4 NPT TO 3/8 TUBE BRASS	2	
51	4602857	ORIFICE FITTING #52 - NAT GAS	2	
	4602999	LABEL - #52 ORIFICE SIZE	1	
	4602858	ORIFICE FITTING 1.3mm	2	
	4602998	LABEL - 1.3MM ORIFICE SIZE	1	

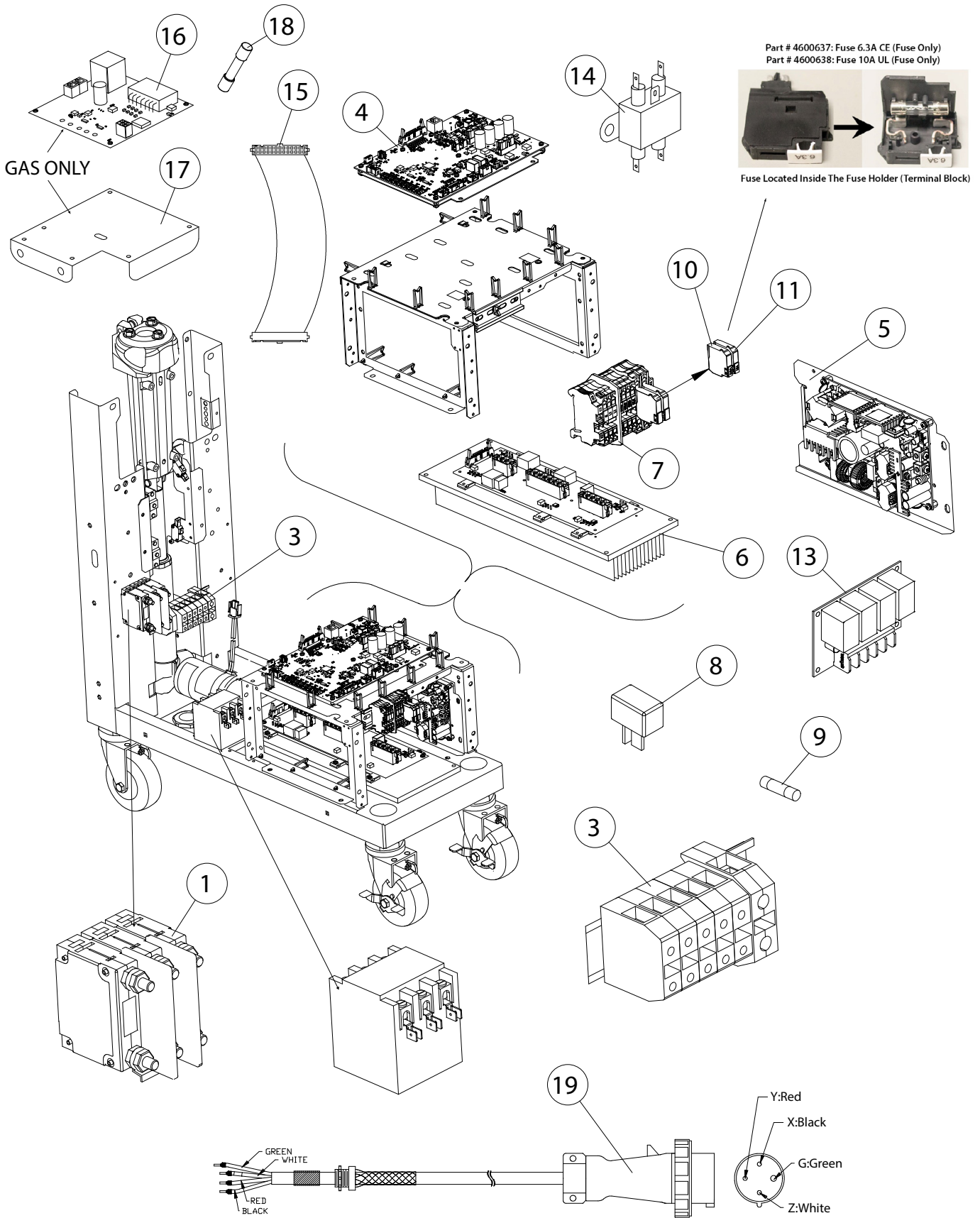
BOTTOM GRILL ELEMENTS - ALL ELECTRIC MODELS



ITEM	PART #	DESCRIPTION	QTY	CRITICAL /REC'D
1	4532397	Front Heater Casting (small) (Note: replace item #7 also recommended)	1	
2	4532399	Middle/Rear Heater Casting (Large) (Note: replace item #6 also recommended)	2	
3	4531977	Thermostat SPST (open on rise 500F, close 450F)	3	C
4	4600101	Grill Plate Thermocouple Electric	3	C
5	4600202	Fibreglass Insulation 12"x22.5" Electric	1	
6	4532400	Large T-GON Insulator Plate Electric	2	
7	4532398	Small T-GON Insulator Plate	1	
8	4532369	Insulation Pan Assembly	1	

THIS PAGE INTENTIONALLY LEFT BLANK

ELECTRIC COMPONENTS - ALL MODELS

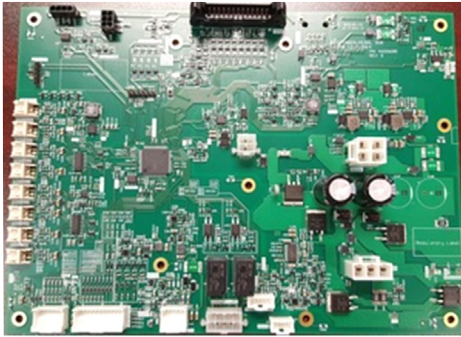


ELECTRIC COMPONENTS - ALL MODELS

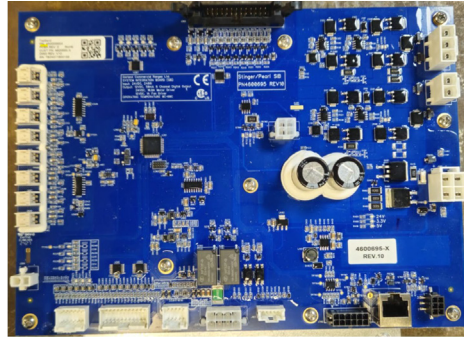
ITEM	PART #	DESCRIPTION	QTY PER LANE	CRITICAL /REC'D
1	4532382	CIRCUIT BREAKER 60A, Nader (3P)	1	R
	4600124	CIRCUIT BREAKER 32A, (White Handle) Nader (2P)	1	R
	4600125	CIRCUIT BREAKER 25A, (Yellow Toggle) Nader (1P)	1	R
	4600630	CIRCUIT BREAKER 40A, Nader	1	R
2	1637001	MAIN CONTACTOR 50 AMPS	1	C
	1637002	CONTACTOR 240V COIL CE	1	C
3	4604307	TERMINAL BLOCK MAIN CE	1 per unit	
	4600126	TERMINAL BLOCK MAIN UL	1 per unit	
4a	4603678	SIB BOARD & MOUNT PLATE ASSY - FULLY POPULATED (GAS MODELS ONLY - REV9)	1 per lane	C
4b	SEE "SYSTEM INTEGRATION BOARD (SIB) REV10 - ELECTRIC MODELS ONLY" on page 26		1 per lane	C
	From February 1 2025, Serial # 25021001xxxxx are being manufactured with the SIB REV10 board(s).			
5	4600838	POWER SUPPLY 24V DC OMRON	1	C
6	4531775-E	SSRB Heatsink Assembly REV.9 - ELECTRIC & GAS	1	C
7	4611040	SERVICE KIT - TERM BLOCK CTRL POWER, DELTA UNITS	1	
	4611041	SERVICE KIT - TERM BLOCK CTRL POWER, WYE UNITS	1	
8	4531933	DIODE - 15A	2	C
9	4600129	FUSE 5A (inside fuse holder)	1	C
10	4600637	FUSE 6.3A CE (fuse only, located inside the fuse holder of terminal block item 7)	2	C
11	4600638	FUSE 10A UL (fuse only, located inside the fuse holder of terminal block item 7)	2	C
12	4603965	FUSE PLUG 5X20MM (PICTURE BELOW)	2	
13	4603121	EMC Filter 3 Phase (CE models)	1	C
14	4601719	POWER INLET LINE FILTER (CE models)	1	C
15	4600613	26 PIN RIBBON CABLE	1	C
16	4606120	ACTIVE COMPRESSION CONTROL BOARD	1	
		<ul style="list-style-type: none"> • AVAILABLE FOR GAS MODELS ONLY. • ELECTRIC MODELS NO LONGER USE THIS BOARD. 		
17	4606121	BRKT, AC CONTROL BOARD	1	
		<ul style="list-style-type: none"> • AVAILABLE FOR GAS MODELS ONLY. • ELECTRIC MODELS NO LONGER USE THIS BRACKET. 		
18	4610161	FUSE 2A - AC FUSE	1	C
19	4606194	IEC 30A CORD & PLUG ASM HUBBELL	1	
	4606195	IEC 60A CORD & PLUG ASM HUBBELL	1	

SYSTEM INTEGRATION BOARD (SIB) REV10 - ELECTRIC MODELS ONLY

SIB Rev9 vs SIB Rev10



SIB REV9



SIB REV10

⚠ Attention

If the System Integration Board (SIB)Rev9 needs to be replaced to SIB Rev10, please refer to the specific process outlined in the step-by-step instructions for installing the new SIB Rev10.

- Instruction Sheet part #: GAR_IS_4612372
- Service Bulletin #: GAR_SB_4612371

VERY IMPORTANT

If the software is an older version, it **MUST** be updated before installing SIB Rev10, otherwise it will crash and **CANNOT** be repaired in the field.

**TABLE A: REPLACING SIB REV9 WITH SIB REV10
ELECTRIC MODELS ONLY**

Part#: 4612478 : SIB REV9 TO REV10

	PART #	DESCRIPTION	QTY
1	4600695-X	SYSTEM INTEGRATION BOARD REV 10	1
2	4610590	WIRE HARNESS ACTIVE COMPRESSION	1
3	4611320	FUSE HOLDER WITH 2A FUSE	1
4	4611907	SYNC EXTENSION HARNESS	1
5	4600550	USB FLASH DRIVE (BLANK)	1
6	4612372	INSTRUCTIONS - SIB REV9 TO REV10	1

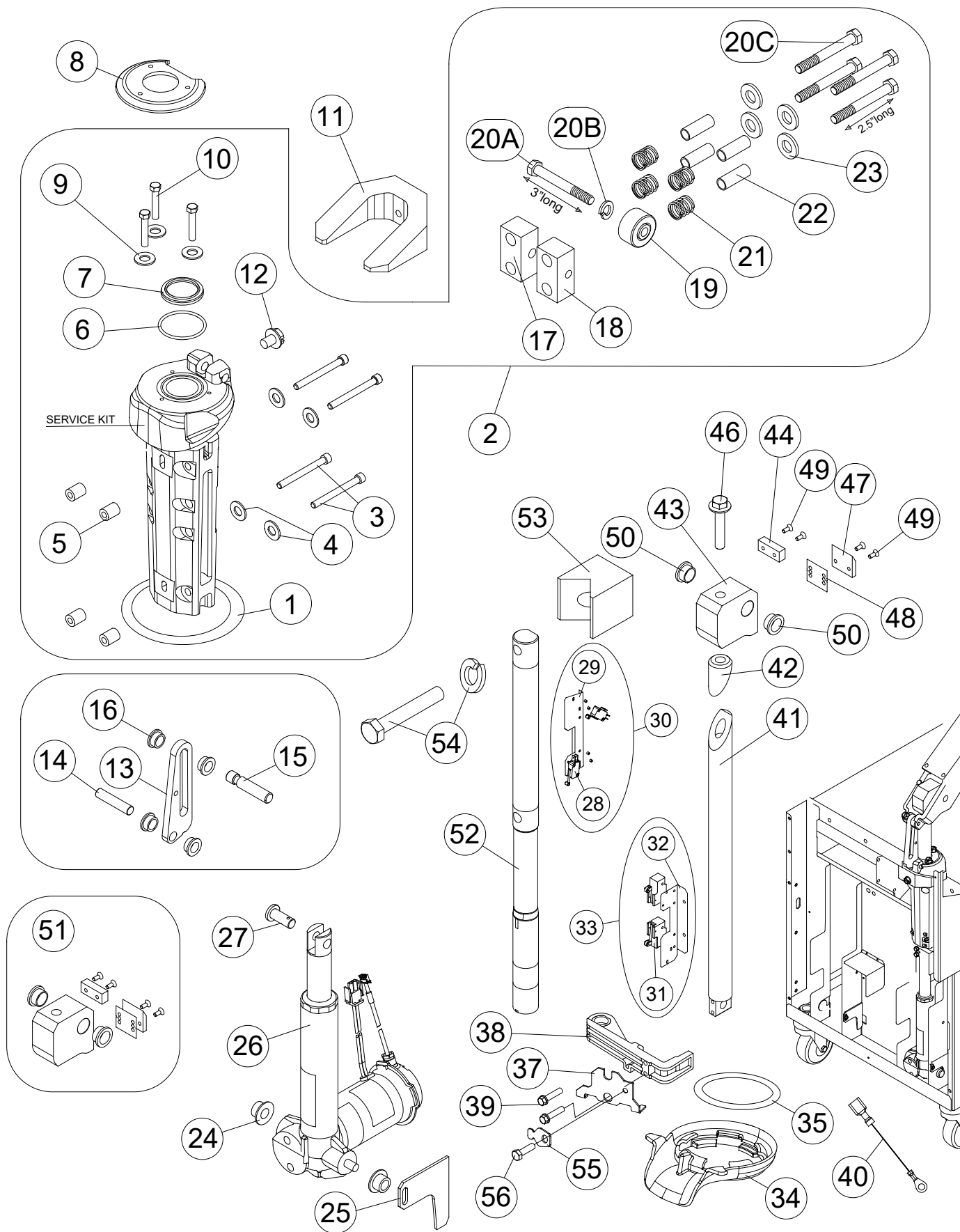
**TABLE B: REPLACING SIB REV10 WITH ANOTHER SIB REV10
ELECTRIC MODELS ONLY**

Part#: 4611483 : SIB REV10 TO REV10

	PART #	DESCRIPTION	QTY
	CK4611483	SIB BOARD & MOUNT PLATE ASSY - REV10	1

THIS PAGE INTENTIONALLY LEFT BLANK

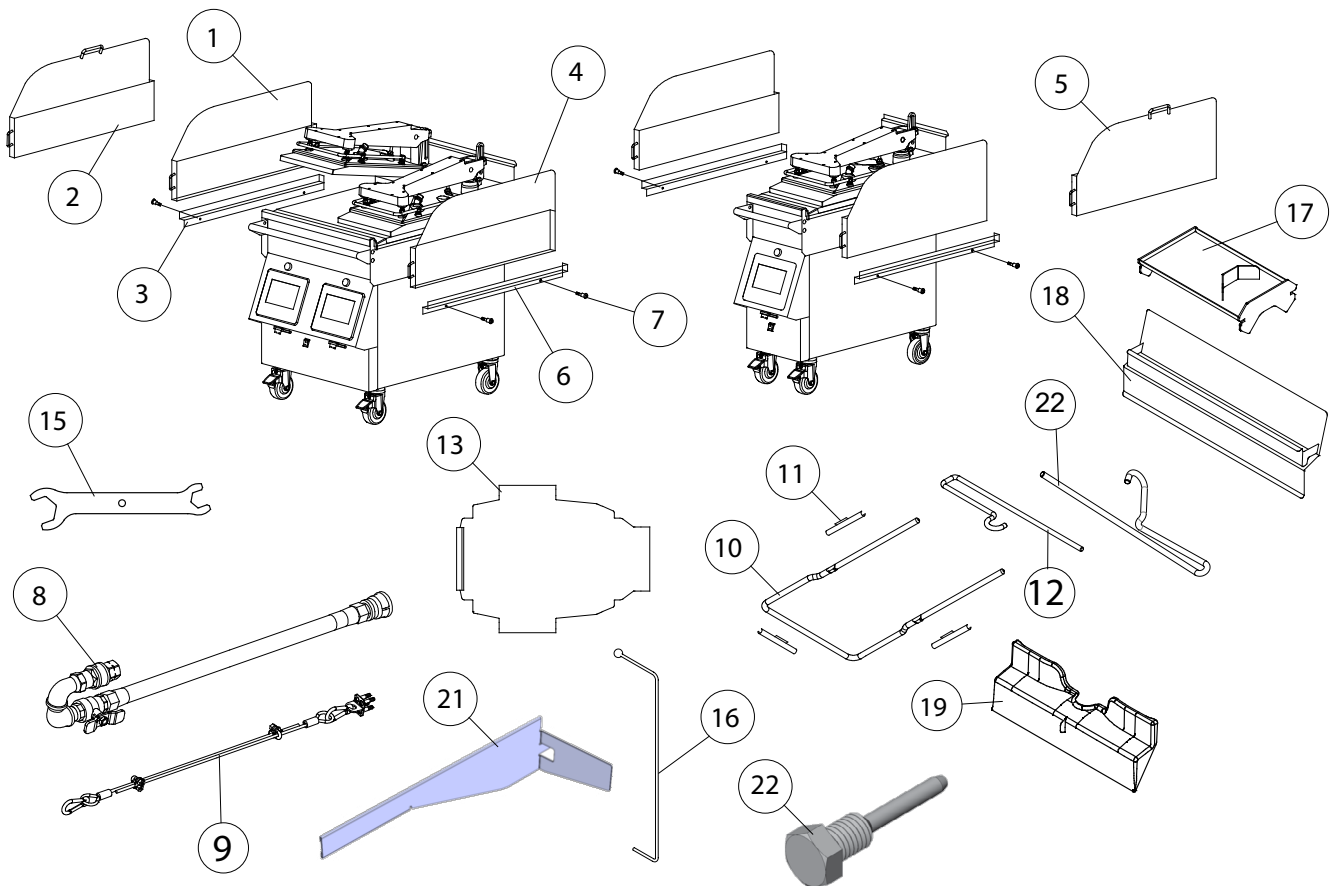
SHAFT LIFTING ASSEMBLY - ALL MODELS



SHAFT LIFTING ASSEMBLY - ALL MODELS

ITEM	PART #	DESCRIPTION	QTY PER LANE	CRITICAL /REC'D
1	4606647	SEAL, SHAFT TUBE TO BACKSPLASH	1	
2	CK4607673AC	SERVICE KIT - SHAFT TUBE ASM AC	1	
3	F728	SOCKET HEAD CAP SCREW 1/4-20 X 2.5"	4	
4	F111	WASHER-1/4IN SAE STEEL ZINC CHR	4	
5	4600711	SHAFT TUBE SPACER	4	
6	4600605	O-RING	1	C
7	4610081	SHAFT SEAL, YD STYLE - blk color	1	C
8	4532393	SEAL CAP	6	
9	2213012	WASHER #8 SS	3	
10	F801	SCREW #8-32X3/4L 18-8 TRIM HEX HEAD	3	
11	4600634	SHAFT TUBE WEDGE	1	
12	F762	1/4"-20 X 1.25" HSWH MACHINE SCREW ZP GR. 5	1	
13	4606111	PIVOT LINK MACHINED, 1-1/8" COOK HEIGHT (NOTE: TO DISTINGUISH; LOOK FOR A PAIR OF NOTCHES AT THE BOTTOM - OVERALL HEIGHT 5.5")	1	
	4532732	PIVOT LINK MACHINED, 2" COOK HEIGHT (OVERALL HEIGHT 6.15")	1	
14	4600631	SHAFT TUBE / LINK PIN	1	
15	4602162	ARM LINK PIN, SNG	1	
16	4532733	PIVOT LINK BEARING 3/8" X 1/4" FL	4	R
17	4605971	ROLLER BLOCK, CLR	1	
18	4605972	ROLLER BLOCK, THREADED	1	
19	4605974	ROLLER	1	
20A	F878	HHS GR8 3/8"-24 X 3IN ZN PLATE YELLOW DI - 3" LONG	1	
20B	23101	LOCKWASHER-SPL 3/8X11/64X3/32STLZP -	1	
20C	F946	HHS GR5 3/8"-24 X 2.25IN ZN PLATED - 2.25" LONG	4	
21	4606447	SPRING, ROLLER ASM	4	C
22	4605984	SPACER, ROLLER BLK	4	C
23	F898	1/2IN WASHER ZN PLATED	4	C
25	4532757	ACTUATOR CLAMP BRACKET	2	
26	CK4603129	SERVICE KIT- ACTUATOR, COMMON - kit contains items 24, 26, 27, 34, 35, 37, 55 & 56	1	
27	F759	CLEVIS PIN, M12 DIA., 30MM LG, 23MM USABLE LG	1	
28	4531930	MICROSWITCH, OVERTRAVEL	2	C
29	4603944	LIMIT SWITCH BRACKET	1	
30	4603947	LIMIT SWITCH ASSEMBLY (Limit Switches with bracket included)	1	
31	4600616	SWITCH, SNAP ACTION, SHORT HINGE ROLLER LEVER	2	C
32	4603943	REFERENCE SWITCH BRACKET	1	
33	4603946	HOME SWITCH ASSEMBLY (Swithes, Snap action w/bracket included) SERVICE KIT	1	
34	4606112	ACTUATOR CANOPY "NORGREN ONLY"	1	
	4606153	ACTUATOR CANOPY "EWELLIX/SKF ONLY"	1	
35	4606139	O-RING (Inside Diameter 1.234") "NORGREN ONLY"	1	
	1606154	O-RING (Inside Diameter 1.046") "EWELLIX/SKF ONLY"	1	
37	4606137	ACTUATOR CANOPY HOLDER	1	
38	4604976	CAST CROSS BAR ASM	1	
39	8000203	LOCKWASHER-SPL 1/4X1/2X1/16 STL ZP	2	
	F765	1/4"-20 X 1" GR. 8 HEX HD CAP SCREW ZP	2	
40	4603244	GROUND WIRE ACTUATOR	1	
41	4605713	LIFT SHAFT, AC	1	
42	4605715	SHAFT WEDGE, AC	1	
43	4607131	KNUCKLE, AC	1	
44	4607024	WEAR PAD, PLATEN LOCK	1	
46	F886	18-8 SS HHS #1/2-13 X 2.75	1	
	F887	BELLEVILLE WASHER SS	1	
47	4600618	WEAR PAD, PEARL	1	
48	4603436	SHIM, GLOBAL	1	
49	F655	#10-32 UNF x 1/2 SS FLAT SOCKET HEAD MACHINE SCREW	4	
50	4607402	FLANGE BEARING, BRONZE	2	
51	4607403	KNUCKLE, ACTIVE COMPRESSION Item #'s: 43, 44, 47, 48, 49, 50 SERVICE KIT	1	
52	4602816	GUIDE POST	1	
53	4603945	VEE BLOCK	1	
54	F258	LOCKWASHER-5/16 S/S SPLIT	2	
	F835	HHMS 18-8SS 5/16"-18X2" FULL THD	2	
55	4611334	CB BOLT STOP	1	
56	F588	SCREW #10-24X1/2" HEX HD TYPE F S.N.#GARL92144	1	

ACCESSORIES - ALL MODELS



ITEM	PART #	DESCRIPTION	QTY	CRITICAL /REC'D
1	4605282	Grease Drawer Assembly Left LO PRO- STR	1	
2	4605291	Grease Drawer Assembly Left - STR - 2 HANDLES	1	
3	4600207	Drawer Slide LT - GM	1	
	4606356	Drawer Slide LT - WENDY'S Permanently mounted to the grill (not removeable)		
4	4605285	Grease Drawer Assembly Right Lo Pro- STR	1	
5	4605290	Grease Drawer Assembly Right - STR - 2 Handles	1	
	4600208	Drawer Slide RT GM	1	
6	4606357	Drawer Slide RT - WENDY'S Permanently mounted to the grill (not removeable)		
	F298N	Shoulder Bolt Nickel Plated	4	
8	4601265	Gas QD & Shut Off Valve Assy 3/4in (2 & 3 Platen Gas Model Only)	1	
	4601266	Gas QD & Shut Off Valve Assy 1/2in (1 platen Gas Model Only)	1	
9	4601483	Adjustable Restraining Cable Assembly With Hardware (GAS MODELS ONLY)	1	
10	4600598	U-Bar	1 per lane	
11	4527294	Teflon Sheet Clip	3 per lane	
12	4600722	Teflon Rear Loop Hanger	1 per lane	
13	4600866	Teflon Sheet -GEN MRKT W/ REAR LOOP (BOX OF 6 SHTS)	1 sheet per lane	
15	4532089-GAR	Service Wrench	1	
16	4608452	Ball Gauge, Clamshell	1	
17	4605842	Meat Tray Assembly	1	
18	4608785	Universal Tool Holder	1	
19	4604253	Splash Shield	1per lane	
20	4610945	Teflon rear loop hanger, NAL (No Access Lid)	1 per lane	
21	4612462	Actuator Test Wedge (not provided with unit)		
22	4611213	Screw, Platen & Cowl Split Tool (not provided with unit)		

INFORMATION/WARNING STICKERS - ALL MODELS

WARNING: THIS APPLIANCE IS DESIGNED FOR CONNECTION TO A SPECIAL INTERLOCK SYSTEM. CHECK WIRING DIAGRAM INCLUDED IN THE OPERATIONS/INSTALLATION MANUAL BEFORE CONNECTING.

AVERTISSEMENT: CET APPAREIL EST CONCU POUR ETRE RACCORDE A UN SYSTEME SPECIAL ENTRECROISE. VERIFIEZ LE SCHEMA DU CABLAGE DANS LE MANUEL DU FONCTIONNEMENT ET DE L'INSTALLATION AVANT DE PROCEDER AVEC LE RACCORDEMENT.

P/N: 1670501

1670501 LABEL WARNING INTERLOCK SYSTEM

DANGER:
PULL PLUGS from electrical outlets BEFORE MAKING REPAIRS.
Only authorized service personnel are permitted to remove exterior panels to perform any interior grill maintenance.



PELIGRO:
DESCONECTE TODOS LOS CONECTORES de los receptaculos electricos ANTES DE HACER REPARACIONES.
Solamente se le permite al personal autorizado quitar paneles exteriores o realizar cualquier mantenimiento interior de la parrilla.

DANGER:
DÉBRANCHER LES FICHES de l'alimentation électrique AVANT D'EFFECTUER DES RÉPARATIONS
Seul le personnel qualifié est autorisé à enlever les panneaux extérieurs pour effectuer l'entretien des grilles intérieures

PN 4522374

FRONT OF LABEL

4522374 LABEL, PULL PLUGS

Sticker should be applied to a clean / dry surface area.
Sticker must be applied to rear and both body sides.

BACK OF LABEL

4522374 LABEL, PULL PLUGS

**ORIFICE
SIZE**

**#52 DMS
(0.0635")**

4602999

4602999 LABEL - #52 ORIFICE SIZE

**ORIFICE
SIZE**

**1.3 mm
(0.0512")**

4602998

4602998 LABEL - 1.3MM ORIFICE SIZE

ELECTRICAL SCHEMATIC DIAGRAMS - ALL MODELS

MODEL	PART #	DESCRIPTION
1 PLATEN ELECTRIC	4532832	WIRING DIAGRAM - XPE12 WYE - 1 INPUT
	4532841	WIRING DIAGRAM - XPG12 DELTA - 1 INPUT
2 PLATEN ELECTRIC	4606440	WIRING DIAGRAM XPE24AC DELTA - 1 INPUT
	4608165	WIRING DIAGRAM XPE24AC CE - 1 INPUT
	4608190	WIRING DIAGRAM XPE24AC CE - 2 INPUT
	4532861	WIRING DIAGRAM XPE24 DELTA - 2 INPUT
3 PLATEN ELECTRIC	4604690	WIRING DIAGRAM XPE36AC DELTA - 2 INPUT
	4608164	WIRING DIAGRAM XPE36AC CE - 1 INPUT
	4608186	WIRING DIAGRAM XPE36AC CE - 2 INPUT
	4608187	WIRING DIAGRAM XPE36AC CE - 3 INPUT
1 PLATEN GAS	4532841	WIRING DIAGRAM XPG12 DELTA - 1 INPUT
	4532835	WIRING DIAGRAM XPG12 WYE - 1 INPUT
2 PLATEN GAS	4532836	WIRING DIAGRAM XPG24 WYE - 1 INPUT
	4532842	WIRING DIAGRAM XPG24 DELTA - 1 INPUT
3 PLATEN GAS	4532843	WIRING DIAGRAM XPG36 DELTA - 1 INPUT
	4532837	WIRING DIAGRAM XPG36 WYE - 1 INPUT

ELECTRICAL HARNESS - ALL MODELS

PART#	DESCRIPTION	PAGE
4600142	GROUND WIRE FRONT PANEL	36
4532684	HARNESS CONTROL POWER	
4532486	HARNESS PUSH BUTTON GRN	
4532462	HARNESS POWER TERMINAL BLOCK	

4600613	26 PIN RIBBON CABLE	37
4602142	HARNESS JUMPER WIRE	
4604393	W/H ACTUATOR ADAPTOR	

4532460	HARNESS LIMIT SWITCH	38
4532625	HARNESS GRILL THERMOSTAT E	
4532626	HARNESS GRILL HEATER E	

CK4610054	SERVICE KIT - AC POSITION SWITCH ASSY ARM	39
4606887	ADAPTOR CABLE UI-SIB	
4608247	CABLE EXT RJ45 PLUG TO PLUG, MERCO FOR UX CONTROLLER	
4604390	HARNESS ACL CONTROL	

4607821	WIRE HARNESS AC MOTOR SIGNAL	40
4608269	W/H AC MOTOR SIGNAL - FROM MAY 3, 2022	
CK4610046	PLATEN W/H CONDUIT ASSY AC	

4532464	HARNESS TERMINAL BLOCK	41
4532466	Harness Power Cord CB Contactor L	
4601775	W/H TERMINAL BLOCK CE	

PART#	DESCRIPTION	PAGE
4532489	HARNESS POWER DISB M UL	42
4532463	HARNESS POWER SWITCH	
4532500	Harness Power Disb Middle CE	

4600877	HARNESS CONFIG GM ELEC MIDDLE	43
4603078	HARNESS CONFIG GM ELEC RIGHT SLAVE	
4600873	HARNESS CONFIG GM ELEC LEFT	
4600881	HARNESS CONFIG GM ELEC RIGHT	

4602985	HARNESS CONFIG GM ELEC LEFT SLAVE	44
4532621	HARNESS GAS BURNER ASSY.	

4602345 NLA	HARNESS POWER SYNC (PARTS USE 4610557-2P OR 4610558-3P)	45
4603013 NLA	HARNESS POWER SYNC 3P (PARTS USE 4610558)	
4610557	HARNESS CAN BUS POWER SYNC 2P	
4610558	HARNESS CAN BUS POWER SYNC 3P	
4611907	HARNESS CAN BUS SYNC EXTENSION CABLE	
4610590	WIRE HARNESS ACTIVE COMPRESSION	
4611320	FUSE HOLDER WITH 2A FUSE	
NLA: NO LONGER AVAILABLE		

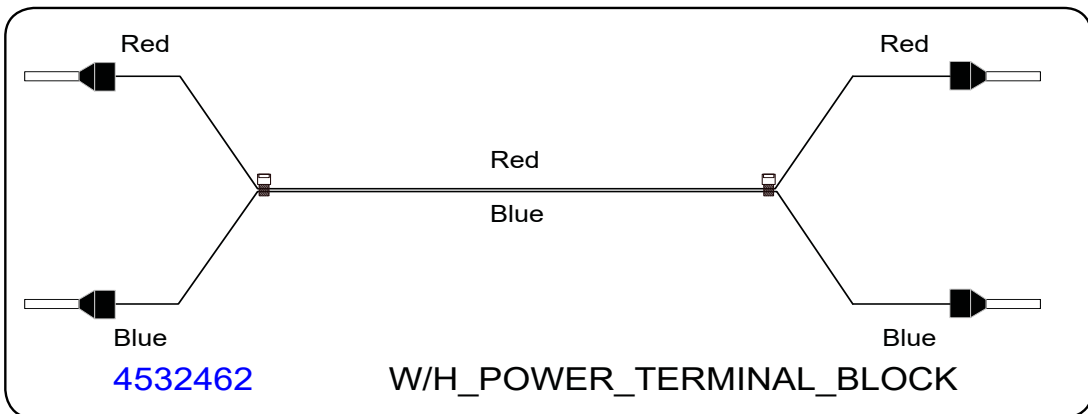
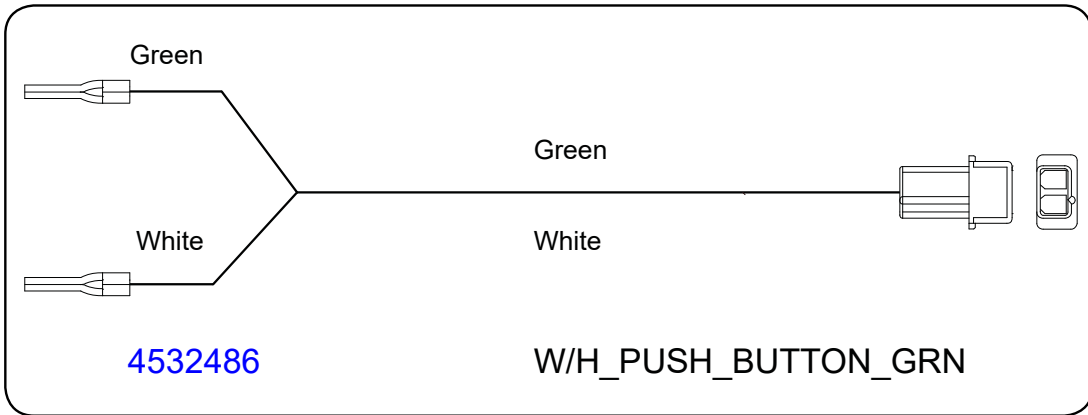
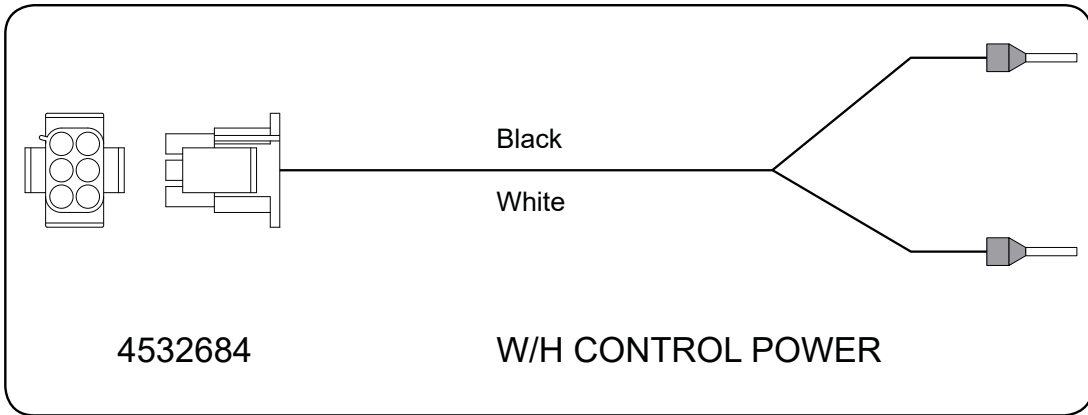
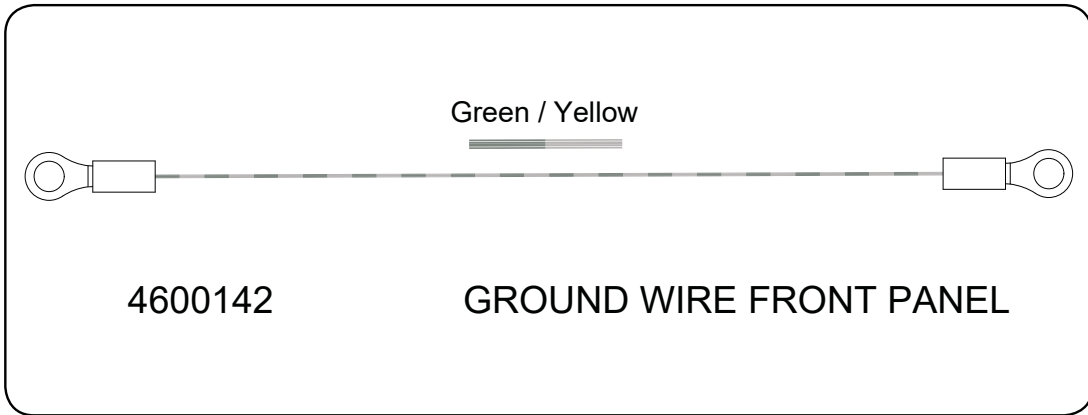
POWER DIST AND CONFIG JUMPER LIST (Gas Models)

General Market Gas (AC & non-AC)

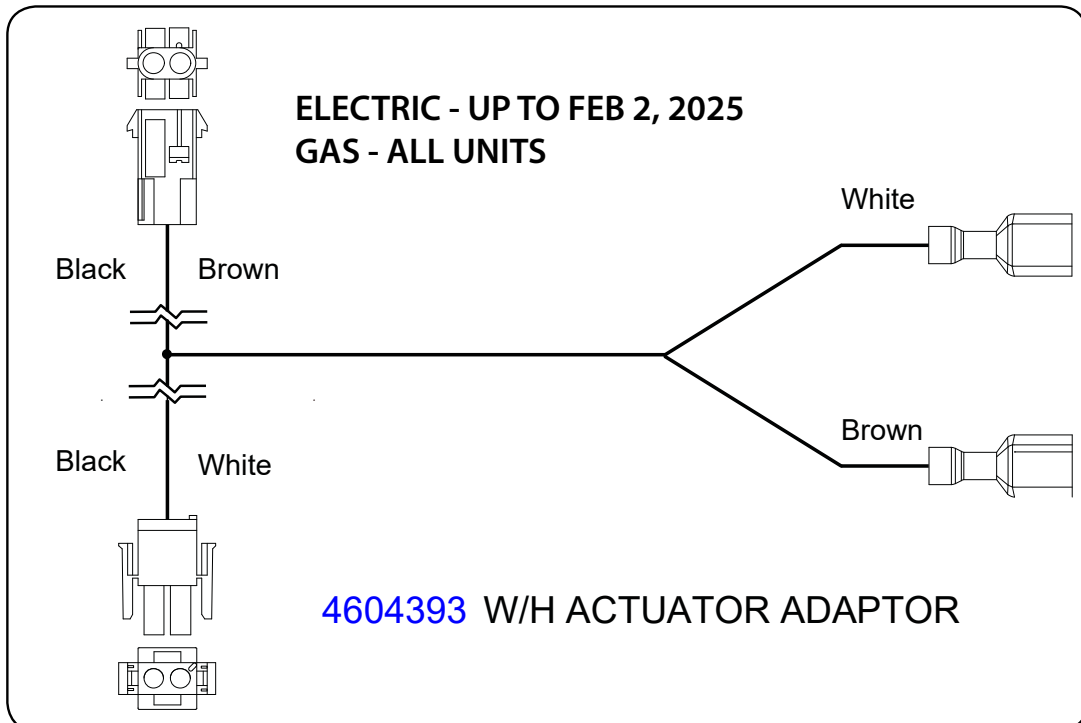
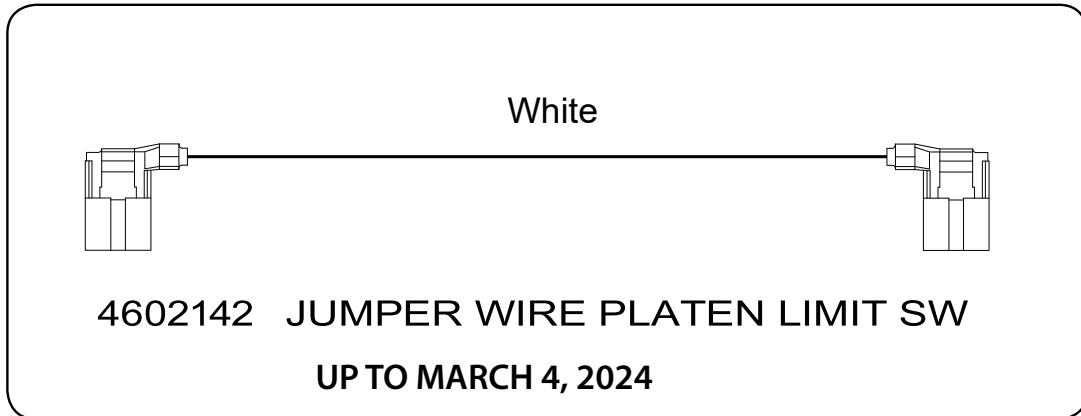
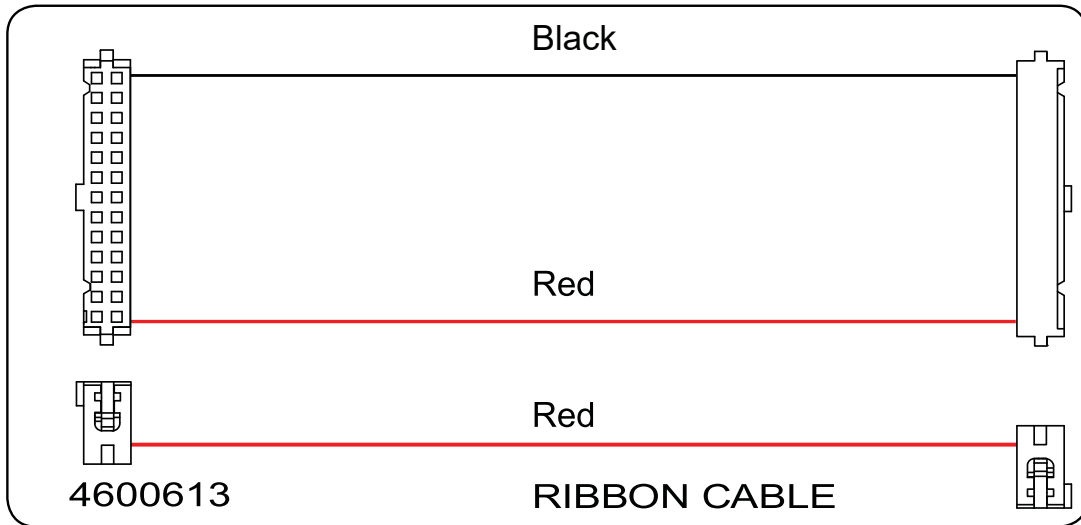
Delta									
3 Phase Power Input No.	1P	2P		3P					
Lane	1	1		1					
Circuit Breaker	Middle	Left	Right	Left	Middle	Right			
Power Disb Harness P/N	25A	40A		40A					
Harness Color Mark	4532489	4532458	4532490	4532458	4532489	4532490			
Power Sync Cable	Red	Blue	Black	Blue	Red	Black			
Config Harness Master/Slave	No	4602345		4603013					
Config #	Master	Slave	Master	Slave	Master	Slave			
Config Harness P/N	22	45	30	45	22	43			
	4600876	4602989	4600872	4602989	4600876	4602987			

Wye									
3 Phase Power Input No.	1P	2P		3P					
Lane	1	1		1					
Circuit Breaker	Middle	Left	Right	Left	Middle	Right			
Power Disb Harness P/N	25A	25A		25A					
Harness Color Mark	4532500	4532459	4532501	4532459	4532500	4532501			
Power Sync Cable	Red	Blue	Black	Blue	Red	Black			
Config Harness Master/Slave	No	4602345		4603013					
Config #	Master	Slave	Master	Slave	Master	Slave			
Config Harness P/N	22	45	30	45	22	43			
	4600876	4602989	4600872	4602989	4600876	4602987			

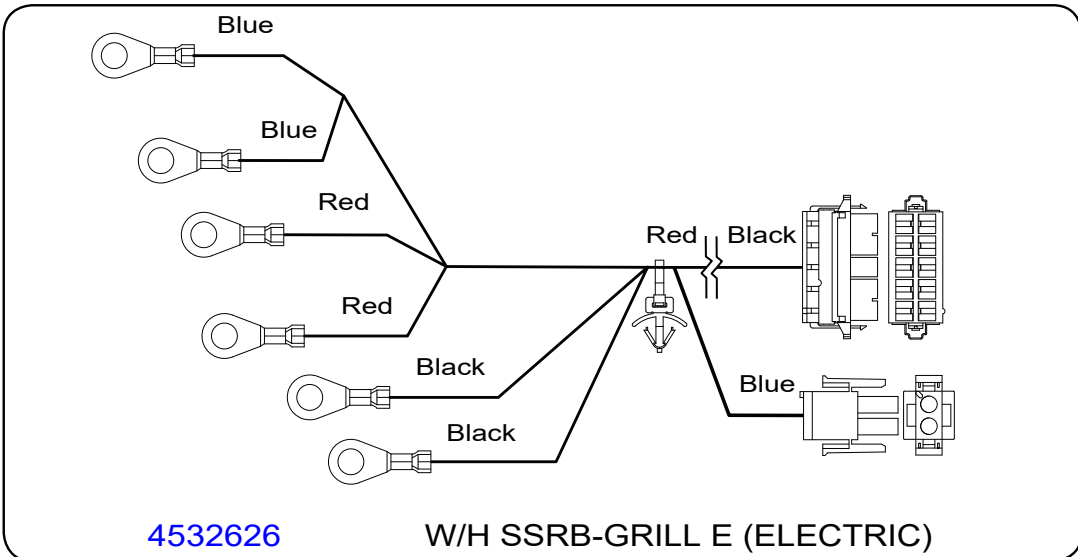
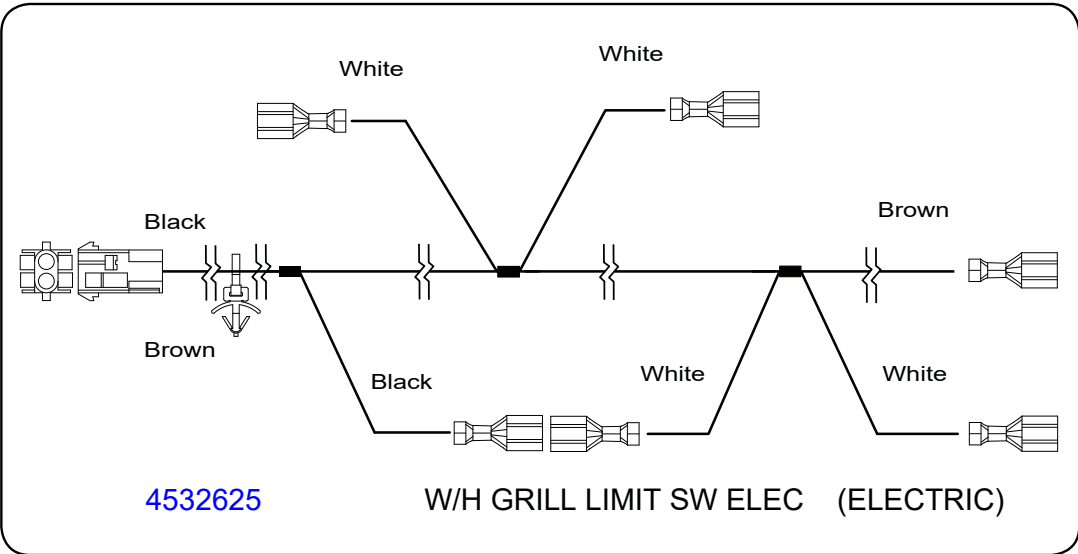
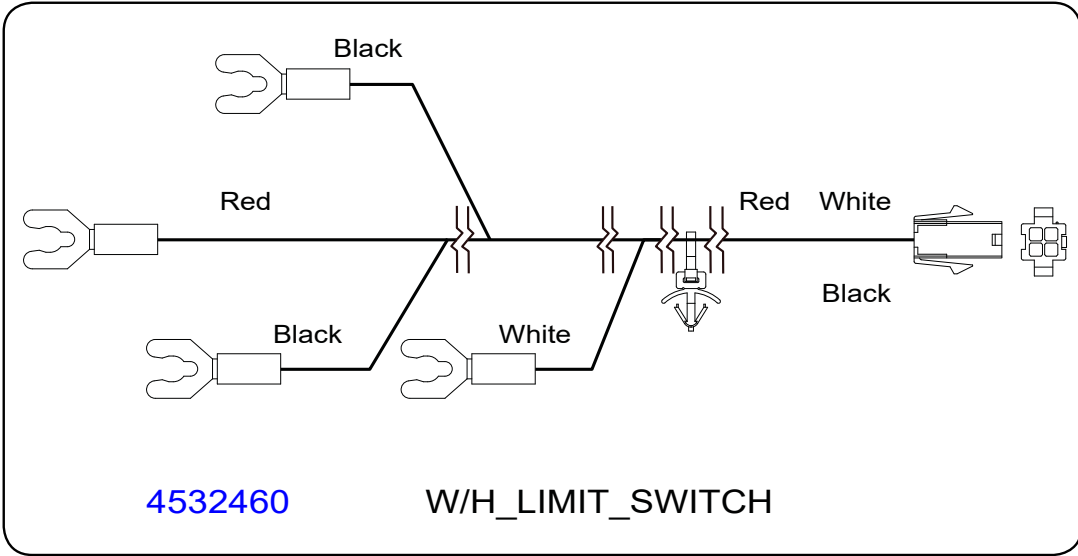
WIRE HARNESS ASSEMBLY - ALL MODELS



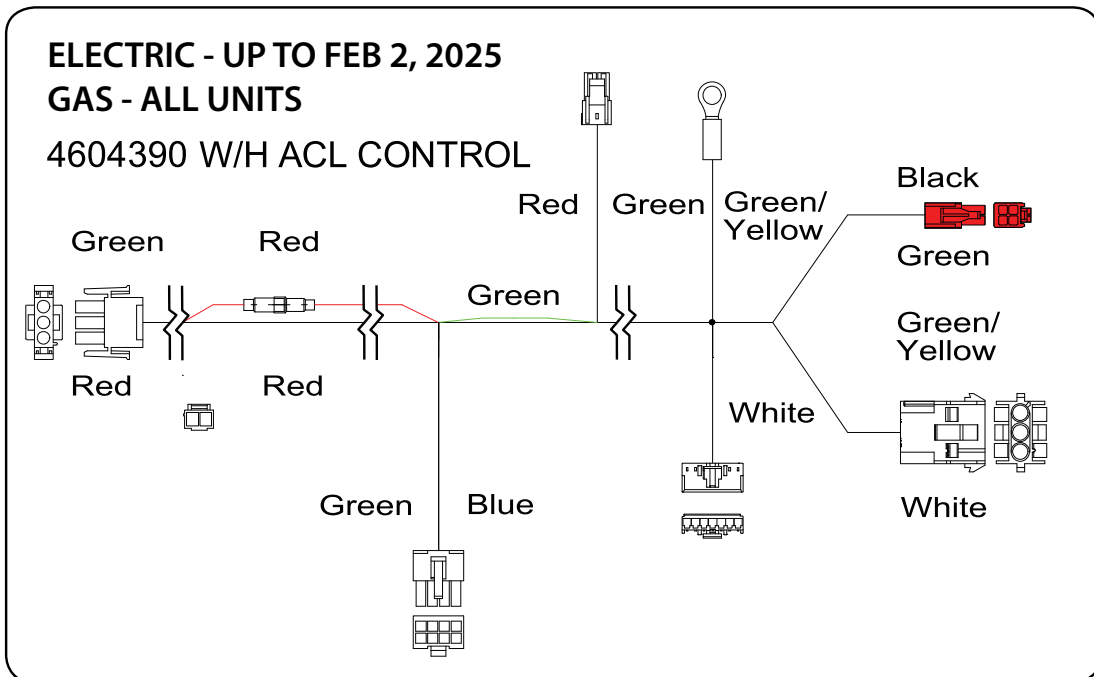
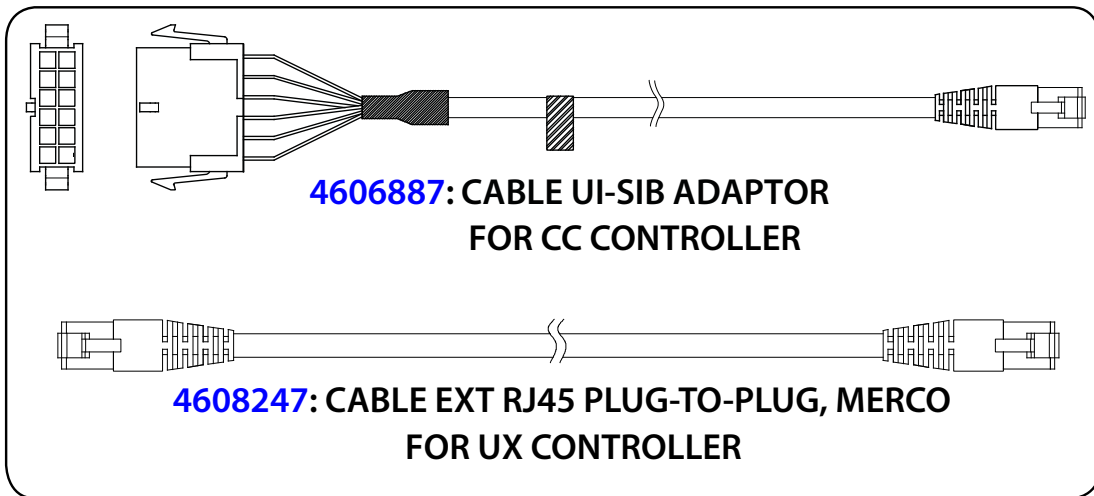
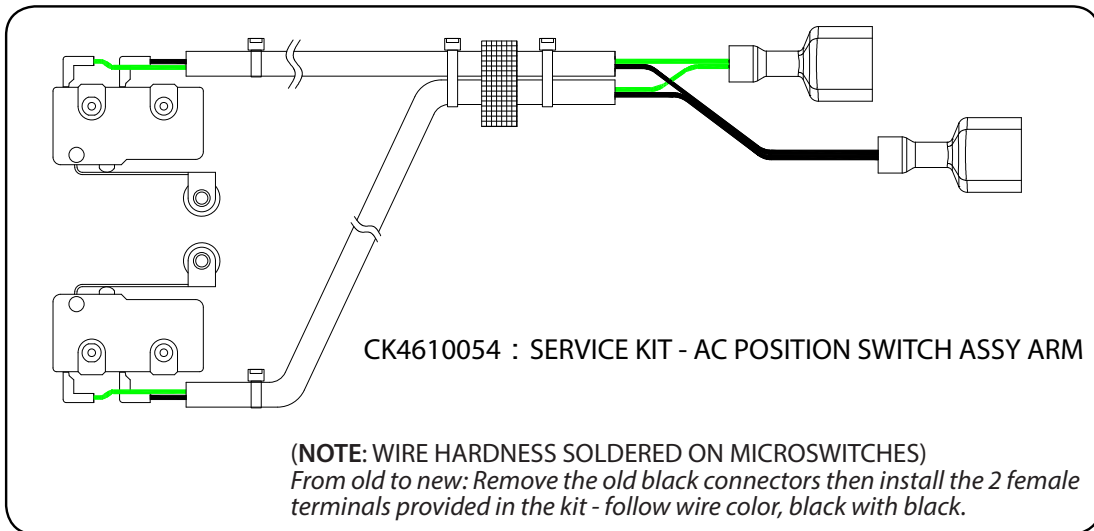
WIRE HARNESS ASSEMBLY - ALL MODELS



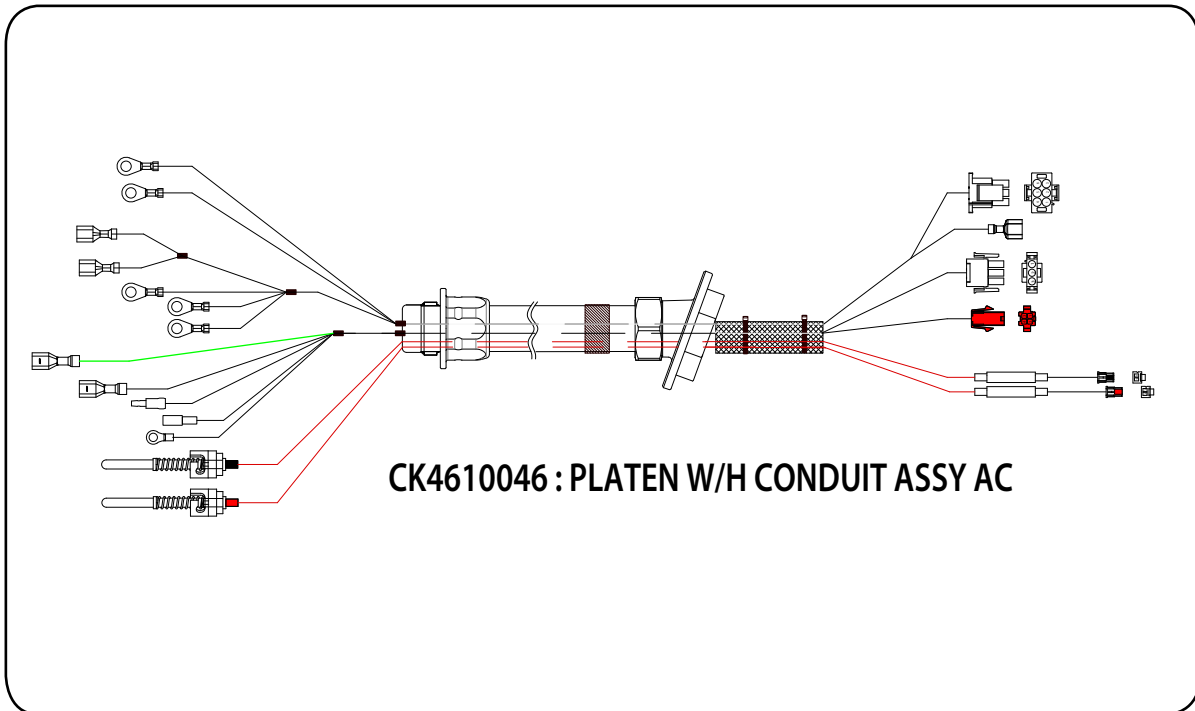
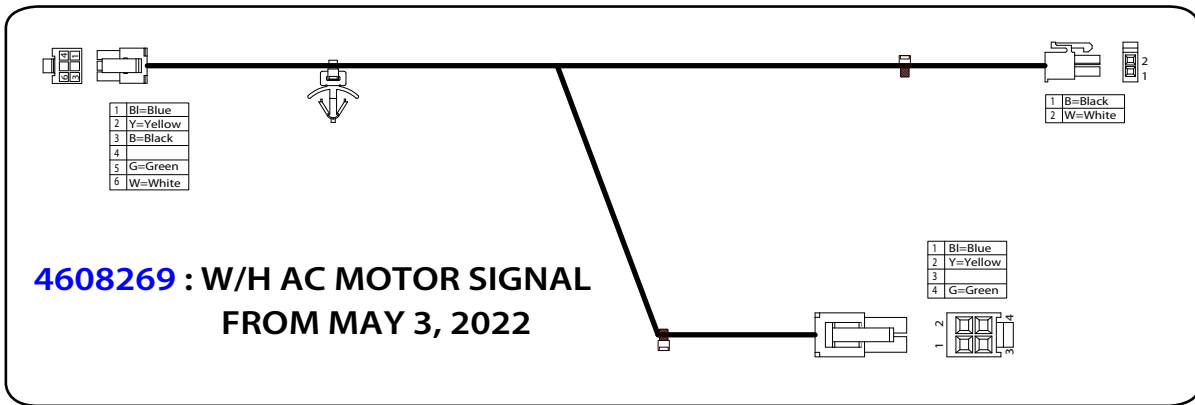
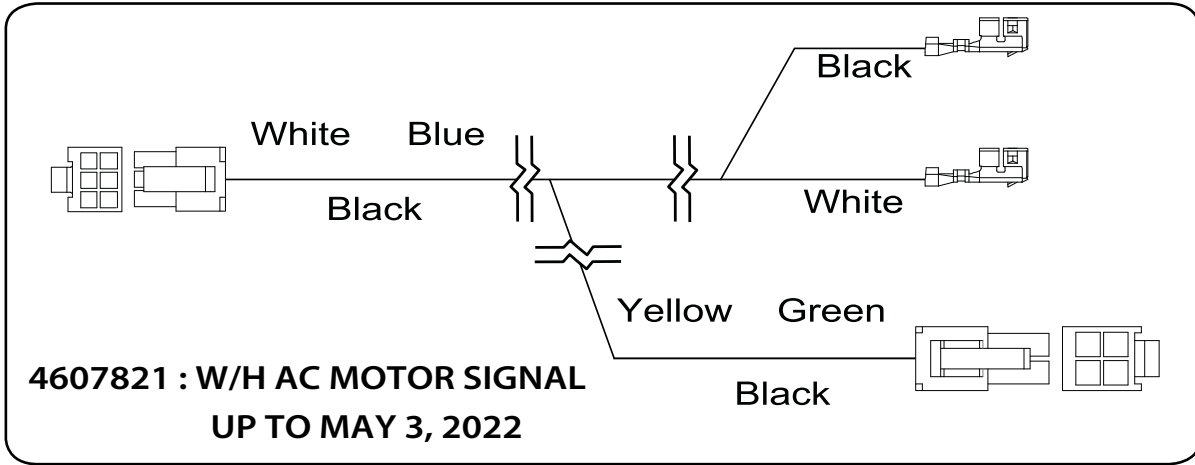
WIRE HARNESS ASSEMBLY - ALL MODELS



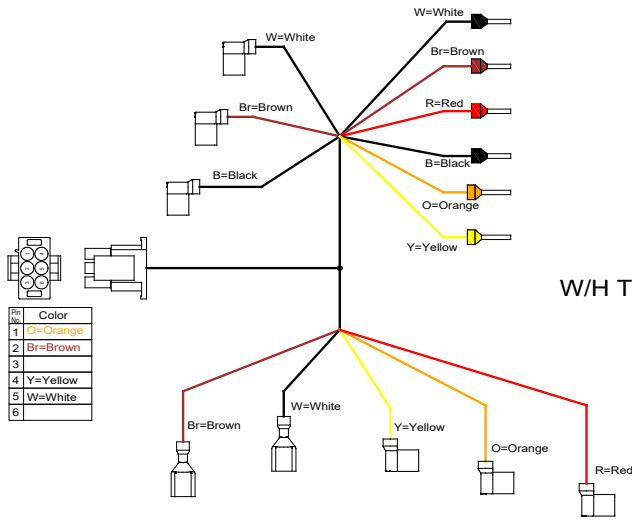
WIRE HARNESS ASSEMBLY - ALL MODELS



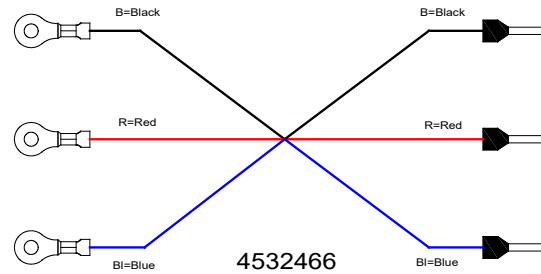
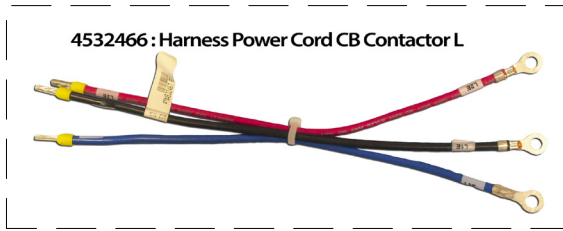
WIRE HARNESS ASSEMBLY - ALL MODELS



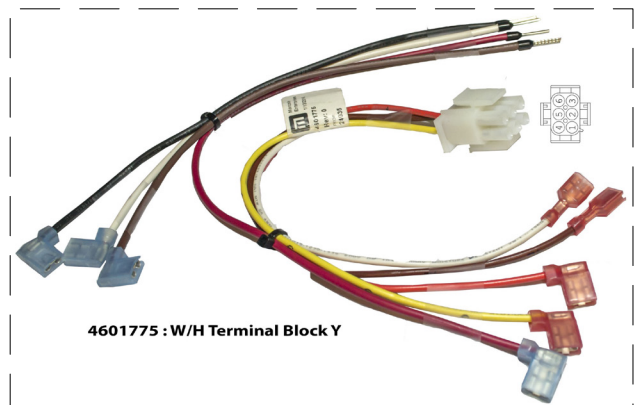
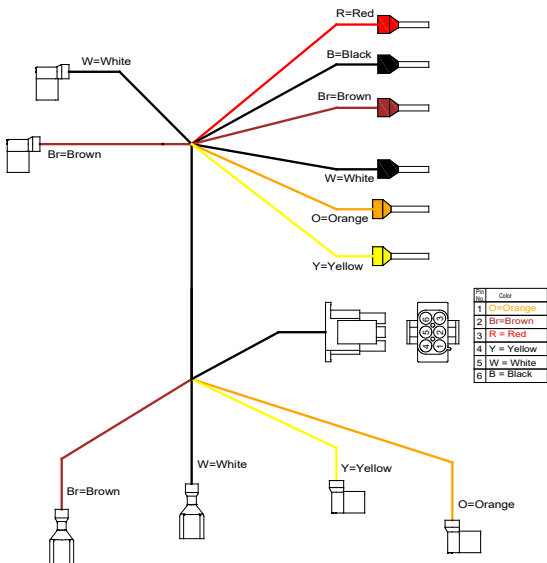
WIRE HARNESS ASSEMBLY - ALL MODELS



4532464
W/H TERMINAL BLOCK



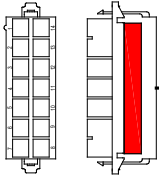
4532466
POWER CORD CB-CONTACTOR S



4601775
W/H TERMINAL BLOCK "Y"

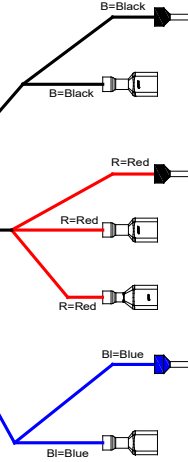
WIRE HARNESS ASSEMBLY - ALL MODELS

Pin No.	Color	Pin No.	Color
1	R=Red	8	Bl=Blue
2	R=Red	9	Bl=Blue
3	R=Red	10	
4	R=Red	11	B=Black
5		12	Bl=Blue
6	R=Red	13	B=Black
7	B=Black	14	B=Black

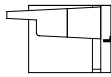
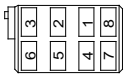


4532489

W/H_POWER_DISB_MIDDLE_UL



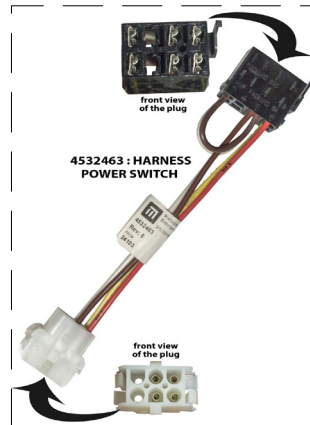
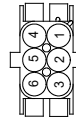
Pin No.	Color
1	
2	W=White
3	Y=Yellow
4	
5	Br=Brown
6	O=Orange
7	Br=Brown
8	W=White



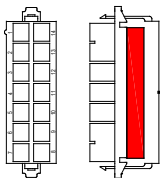
4532463

W/H POWER SWITCH

Pin No.	Color
1	O=Orange
2	Br=Brown
3	
4	Y=Yellow
5	W=White
6	

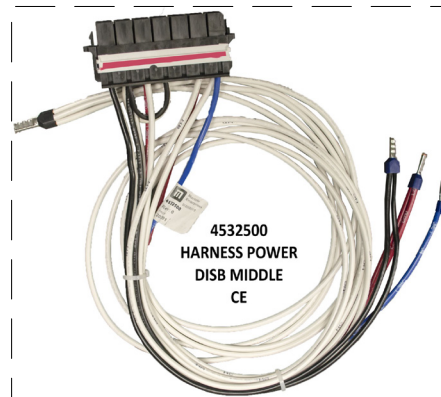
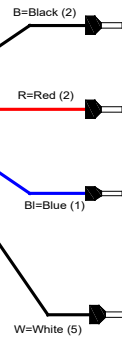


Pin No.	Color
1	W=White
2	W=White
3	R=Red
4	W=White
5	
6	R=Red
7	W=White
8	Bl=Blue
9	W=White
10	
11	B=Black
12	W=White
13	B=Black
14	B=Black



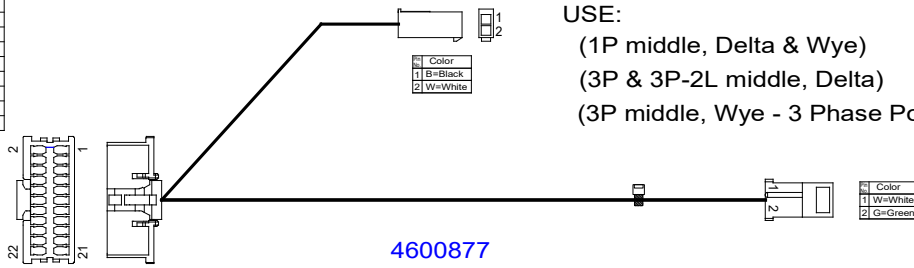
4532500

W/H POWER DISB MIDDLE CE



WIRE HARNESS ASSEMBLY - ALL MODELS

Pin	Color
7	G=Green
8	G=Green
11	R=Red
12	R=Red
13	B=Black
15	W=White
17	G=Green
18	W=White

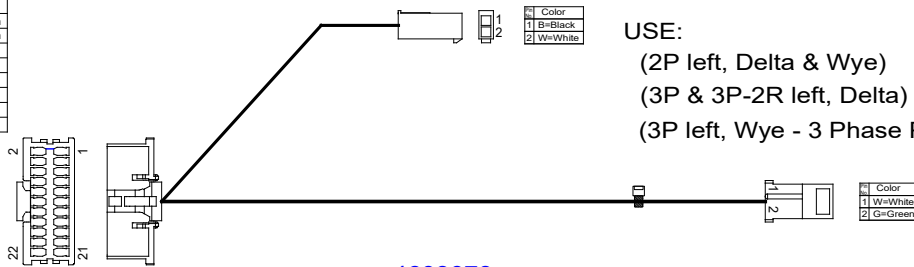


USE:
 (1P middle, Delta & Wye)
 (3P & 3P-2L middle, Delta)
 (3P middle, Wye - 3 Phase Power Input No. 1, 2 & 3)

4600877

W/H CONFIG GM (ELECTRIC)

Pin	Color
5	Br=Brown
6	Br=Brown
7	Bl=Blue
8	Bl=Blue
13	B=Black
15	W=White
17	G=Green
18	W=White

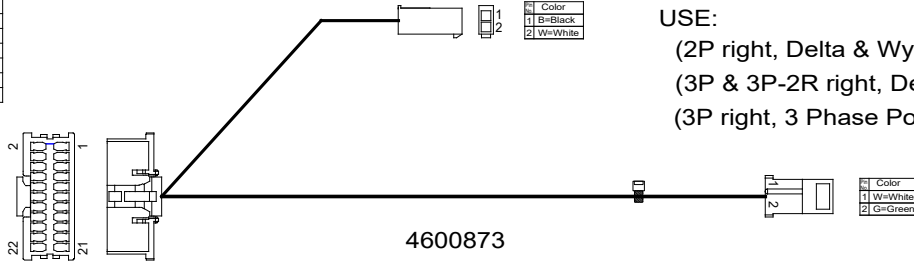


USE:
 (2P left, Delta & Wye)
 (3P & 3P-2R left, Delta)
 (3P left, Wye - 3 Phase Power Input No. 1 & 2)

4603078

W/H CONFIG GM LANE3 SLAVE (ELECTRIC)

Pin	Color
11	B=Black
12	B=Black
13	B=Black
15	W=White
17	G=Green
18	W=White

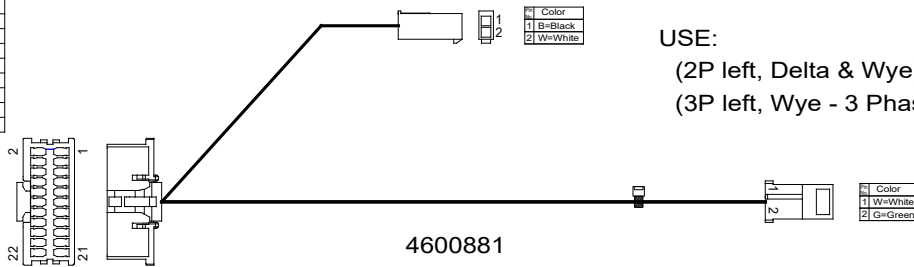


USE:
 (2P right, Delta & Wye)
 (3P & 3P-2R right, Delta)
 (3P right, 3 Phase Power Input No. 2 & 3)

4600873

W/H CONFIG GM LANE1 MASTER (ELECTRIC)

Pin	Color
9	G=Green
10	G=Green
11	Bl=Blue
12	Bl=Blue
13	B=Black
15	W=White
17	G=Green
18	W=White



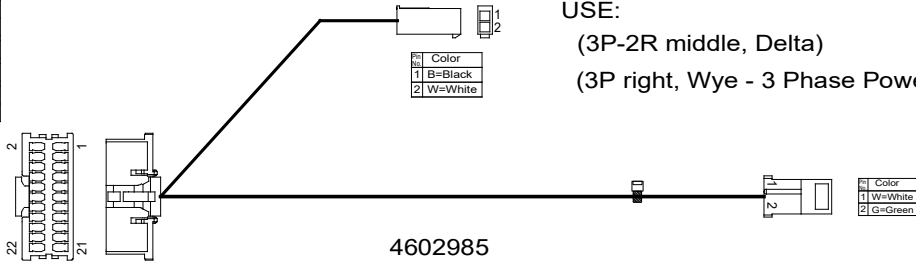
USE:
 (2P left, Delta & Wye)
 (3P left, Wye - 3 Phase Power Input No. 3)

4600881

W/H CONFIG GM LANE1 MASTER (ELECTRIC)

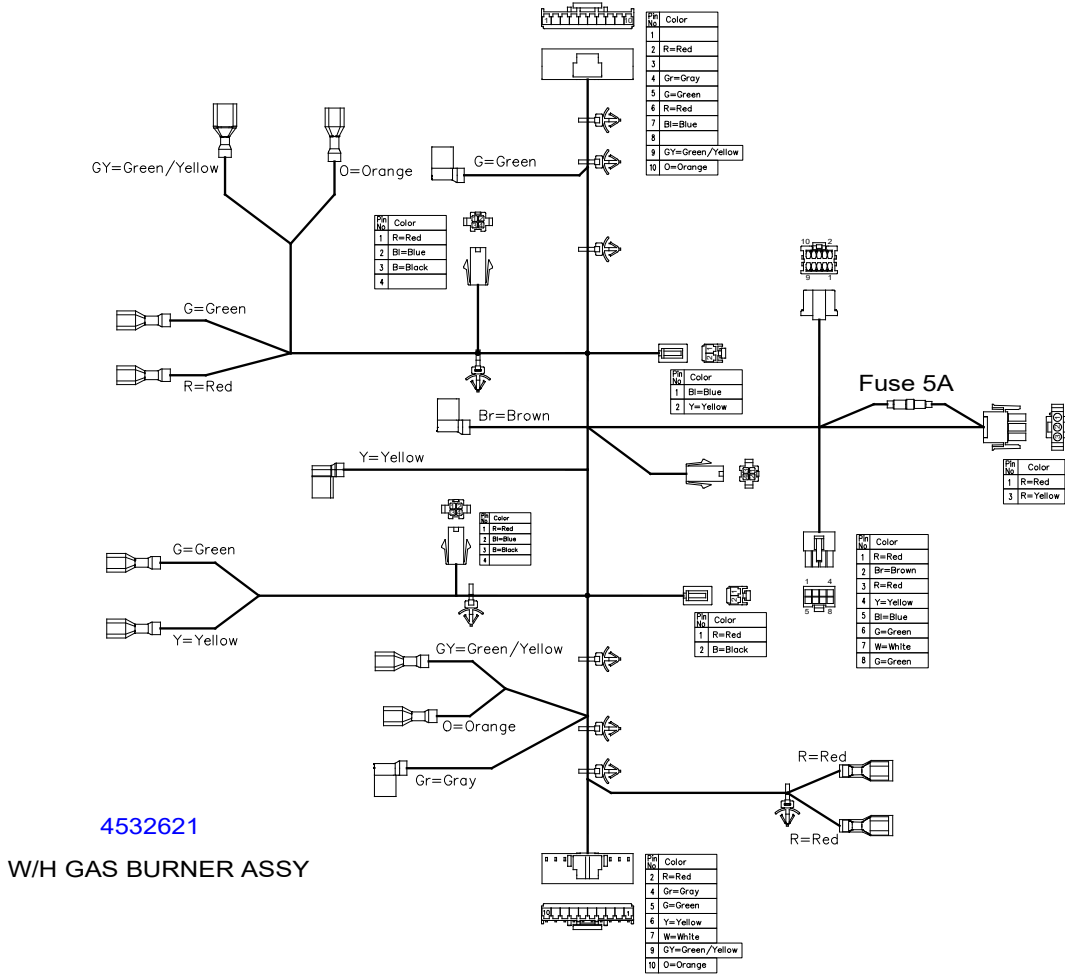
WIRE HARNESS ASSEMBLY - ALL MODELS

Pin No.	Color
7	Br=Brown
8	Br=Brown
9	B=Black
10	B=Black
13	B=Black
15	W=White
17	G=Green
18	W=White



USE:
 (3P-2R middle, Delta)
 (3P right, Wye - 3 Phase Power Input No. 1)

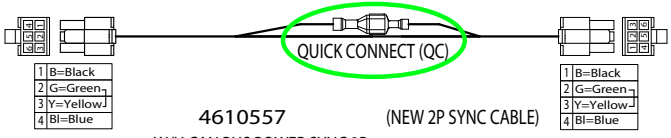
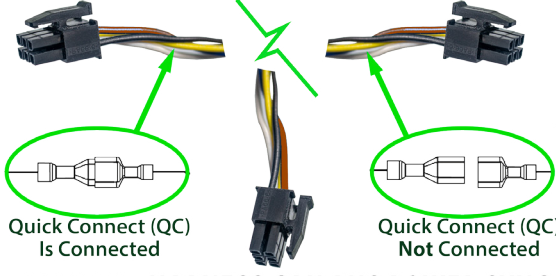
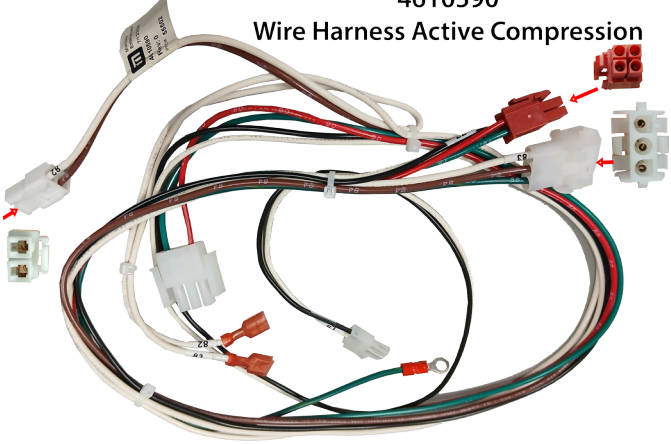

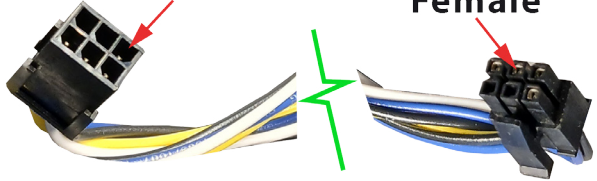
4602985
 W/H CONFIG GM (ELECTRIC) LANE 1, SLAVE



4532621

W/H GAS BURNER ASSY

WIRE HARNESS ASSEMBLY - ALL MODELS

 <p style="text-align: center;">4610557 (NEW 2P SYNC CABLE) W/H CAN BUS POWER SYNC 2P</p> <p style="text-align: center;">FROM FEB 2, 2025 USE TO REPLACE 4602345</p> <div style="display: flex; justify-content: space-between; font-size: small;"> <table border="1" style="border-collapse: collapse;"> <tr><td>1</td><td>B=Black</td></tr> <tr><td>2</td><td>G=Green</td></tr> <tr><td>3</td><td>Y=Yellow</td></tr> <tr><td>4</td><td>Bl=Blue</td></tr> </table> <table border="1" style="border-collapse: collapse;"> <tr><td>1</td><td>B=Black</td></tr> <tr><td>2</td><td>G=Green</td></tr> <tr><td>3</td><td>Y=Yellow</td></tr> <tr><td>4</td><td>Bl=Blue</td></tr> </table> </div>	1	B=Black	2	G=Green	3	Y=Yellow	4	Bl=Blue	1	B=Black	2	G=Green	3	Y=Yellow	4	Bl=Blue	<p style="text-align: center;">← 25" approx. →</p>  <p style="text-align: right;">NEW 3P SYNC CABLE</p> <p style="text-align: center;">4610558 : HARNESS CAN BUS POWER SYNC 3P</p> <p style="text-align: center;">FROM FEB 2, 2025 USE TO REPLACE 4602345 OR 4603013</p>
1	B=Black																
2	G=Green																
3	Y=Yellow																
4	Bl=Blue																
1	B=Black																
2	G=Green																
3	Y=Yellow																
4	Bl=Blue																
<p style="text-align: center;">4610590 Wire Harness Active Compression</p>  <p style="text-align: center;">FOR REV10 SIB ONLY - FROM FEB 2, 2025</p>	<p style="text-align: center;">4611320 : Fuse Holder With 2A Fuse</p>  <p style="text-align: center;">FOR REV10 SIB ONLY - FROM FEB 2, 2025</p>																
	<p style="text-align: center;">← 18" approx. →</p>  <p style="text-align: center;">4611907 Extension Cable</p> <p style="text-align: center;">SERVICE ONLY - FOR UNITS WITH MIXED SIB (REV 9 & REV 10)</p>																

THIS PAGE INTENTIONALLY LEFT BLANK

GARLAND®

GARLAND COMMERCIAL RANGES, LTD.
1177 KAMATO ROAD, MISSISSAUGA, ONTARIO, CANADA L4W 1X4

888-442-7526
WWW.GARLAND-GROUP.COM



All rights reserved. Continuing product improvement may necessitate a change of specifications without notice.