

Parts Catalog



C12HT

Gas Cooking Equipment Hot Plate

Model: C12HT

8/15/23 Rev. A

IMPORTANT!

TO EXPEDITE SHIPMENT OF PARTS, ALWAYS SPECIFY MODEL, REV,
PART NUMBER, AND SERIAL NUMBER OF UNIT.

GLOBE FOOD EQUIPMENT COMPANY

2215 East River Road
Dayton, Ohio 45439

Parts Department

Toll Free 1-800-745-6238 · Fax (937) 290-0585

E-Mail: info@globefoodequip.com

Website: www.globefoodequip.com

Not for resale

Table of Contents

Description

Page

C12HT Hot Plate Components

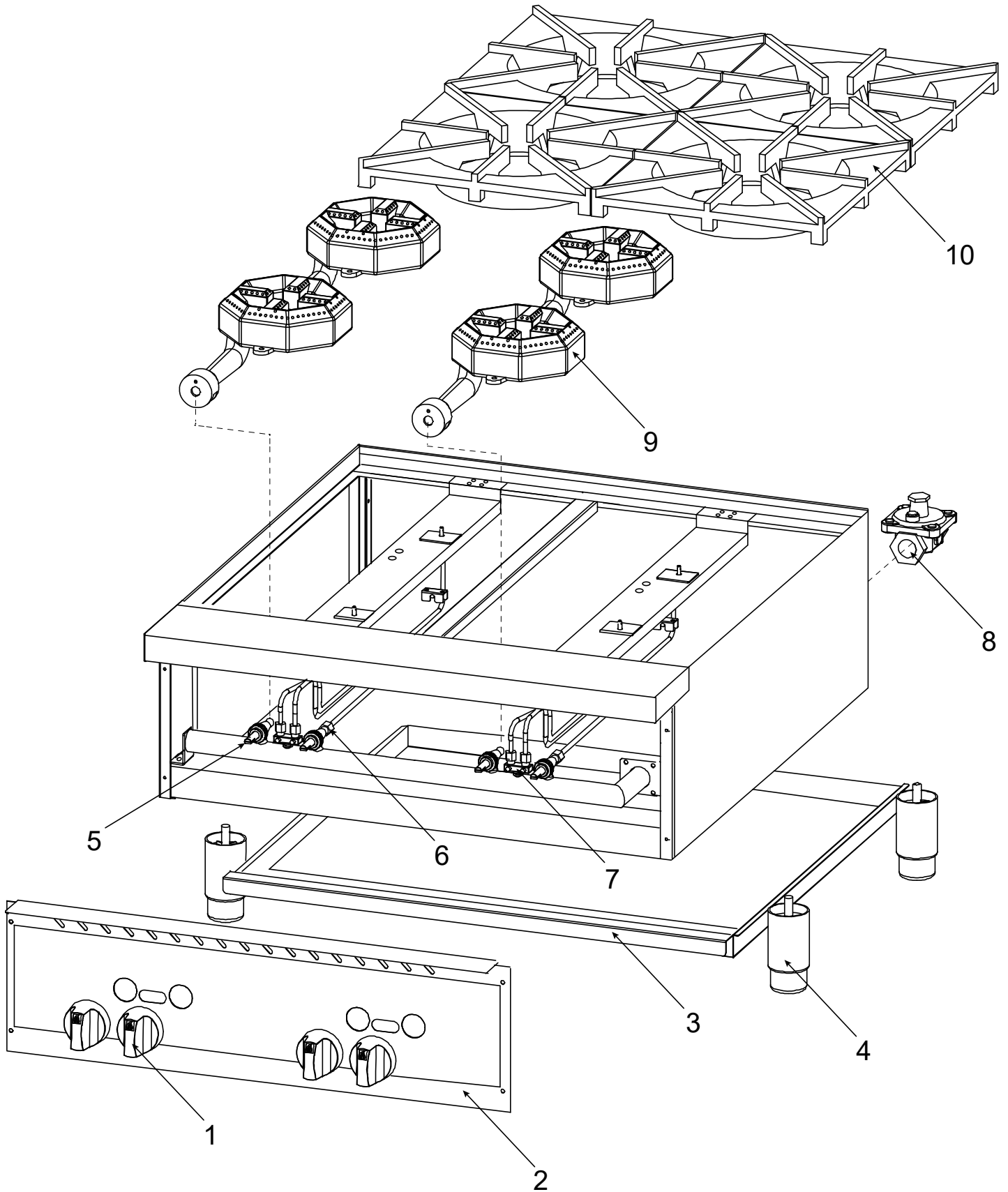
4

C12HT Gas Orifice Elevation Chart

6



C12HT Hot Plates Components





C12HT Hot Plates Components

Item	Part Number	Description	Qty	Serial Number
1	K00410	Control Knob	2	
2	K00432	Front Panel	1	
3	K00433	Drip Tray	1	
4	K00409	Leg (4")	4	
5	K00407	Manual Gas Valve (A18)	2	
6	K00430	Hood Orifice #43	2	See Table 1. Gas Orifice Elevation
6	K00431	Hood Orifice #53	2	See Table 1. Gas Orifice Elevation
6	K00638	Hood Orifice #44	2	See Table 1. Gas Orifice Elevation
6	K00641	Hood Orifice #54	2	See Table 1. Gas Orifice Elevation
6	K00642	Hood Orifice #45	2	See Table 1. Gas Orifice Elevation
6	K00643	Hood Orifice #55	2	See Table 1. Gas Orifice Elevation
6	K00645	Hood Orifice #46	2	See Table 1. Gas Orifice Elevation
7	K00626	Pilot Valve (AP6)	1	
8	K00406	Regulator	1	
9	K00428	Burner	2	
10	K00429	Grate	2	



C12HT Gas Office Elevation Chart

Model	Rated Input Per Burner (BTU/HR)	Elevation		Elevation	
		Nat	LP	Nat	LP
		0-2000 ft		2000 - 4000 ft	
		Nat	LP	Nat	LP
Hot Plate	25000	K00430 (# 43)	K00431 (#53)	K00638 (#44)	K00431 (#53)
		Elevation		Elevation	
		4000 - 6000 ft		6000 - 8000 ft	
		Nat	LP	Nat	LP
Hot Plate	25000	K00642 (#45)	K00641 (#54)	K00642 (#45)	K00641 (#54)
		Elevation		Elevation	
		8000 - 10000 ft			
		Nat	LP		
Hot Plate	25000	K00645 (#46)	K00643 (#55)		