

Parts Catalog



C36GG

Gas Cooking Equipment Griddle

Model: C36GG

8/14/23 Rev. A

IMPORTANT!

TO EXPEDITE SHIPMENT OF PARTS, ALWAYS SPECIFY MODEL, REV,
PART NUMBER, AND SERIAL NUMBER OF UNIT.

GLOBE FOOD EQUIPMENT COMPANY

2215 East River Road
Dayton, Ohio 45439

Parts Department

Toll Free 1-800-745-6238 · Fax (937) 290-0585

E-Mail: info@globefoodequip.com

Website: www.globefoodequip.com

Not for resale

Table of Contents

Description

Page

C36GG Griddle Components

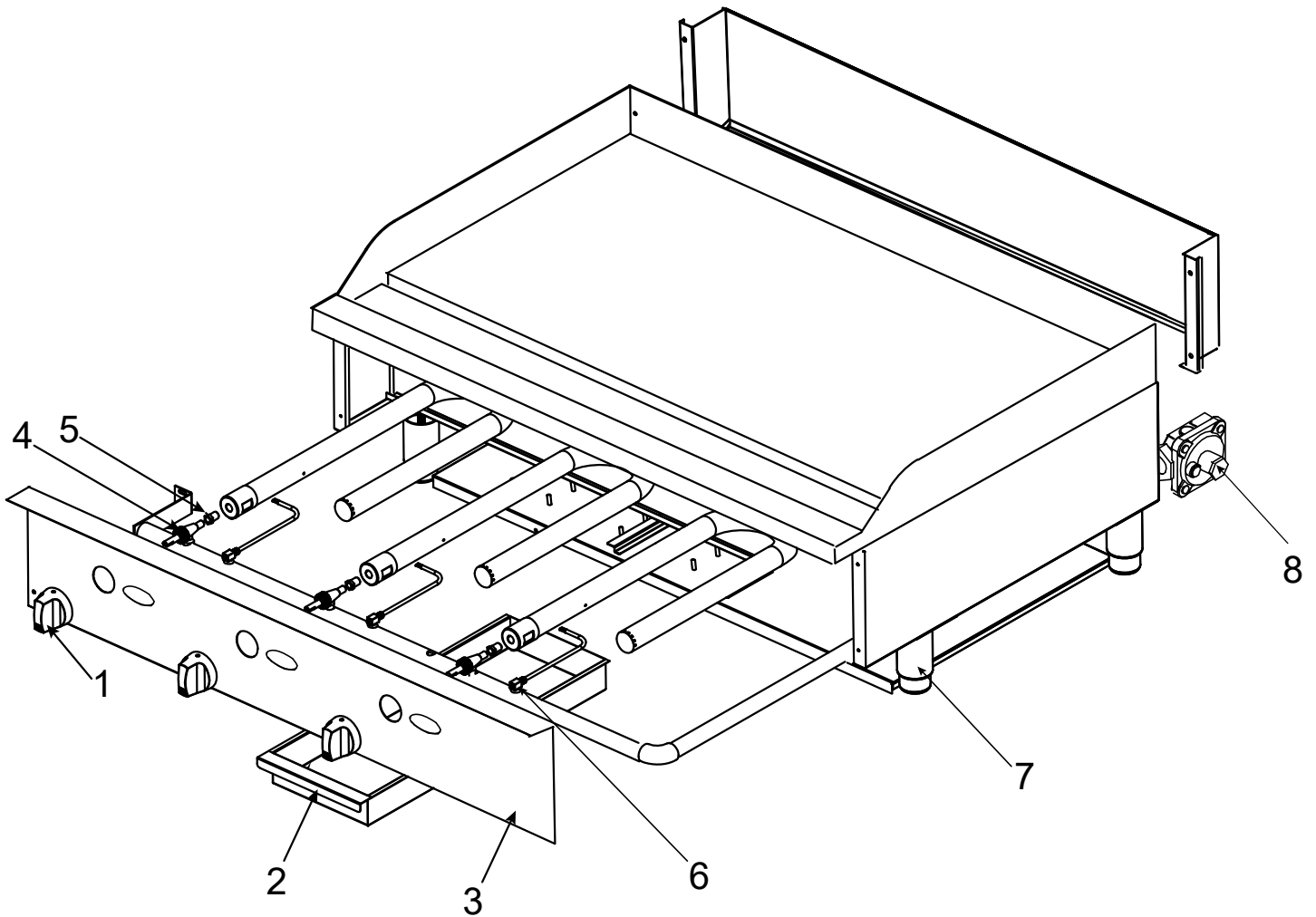
4

C36GG Gas Orifice Elevation Chart

6



GFE36GG Griddle Components





GFE36GG Griddle Components

Item	Part Number	Description	Qty	Serial Number
1	K00410	Control Knob	3	
2	K00415	Drip Tray	1	
3	K00414	Front Panel	1	
4	K00407	Manual Gas Valve (A18)	3	
5	K00411	Hood Orifice #39	3	See Table 1. Gas Orifice Elevation
5	K00637	Hood Orifice #52	3	See Table 1. Gas Orifice Elevation
5	K00412	Hood Orifice #50	3	See Table 1. Gas Orifice Elevation
5	K00632	Hood Orifice #42	3	See Table 1. Gas Orifice Elevation
5	K00634	Hood Orifice #51	3	See Table 1. Gas Orifice Elevation
5	K00635	Hood Orifice #41	3	See Table 1. Gas Orifice Elevation
5	K00637	Hood Orifice #52	3	See Table 1. Gas Orifice Elevation
5	K00638	Hood Orifice #44	3	See Table 1. Gas Orifice Elevation
5	K00430	Hood Orifice #43	3	
6	K00408	Pilot Valve (AP7)	3	
7	K00409	Leg (4")	4	
8	K00406	Regulator	1	



C36GG Gas Orifice Elevation Chart

Model	Rated Input Per Burner (BTU/HR)	Elevation		Elevation	
		Nat	LP	Nat	LP
		0-2000 ft		2000 - 4000 ft	
		Nat	LP	Nat	LP
Griddle	30000	K00411 (#39)	K00412 (#50)	K00635 (#41)	K00412 (#50)
		Elevation		Elevation	
		4000 - 6000 ft		6000 - 8000 ft	
		Nat	LP	Nat	LP
Griddle	30000	K00632 (#42)	K00631 (#51)	K00430 (#43)	K00634 (#51)
		Elevation		Elevation	
		8000 - 10000 ft			
		Nat	LP		
Griddle	30000	K00638 (#44)	K00637 (#52)		