

Parts Catalog



MEAT CHOPPER

MODEL: CM22

06/16/16 Rev. A
IMPORTANT!

TO EXPEDITE SHIPMENT OF PARTS, ALWAYS SPECIFY MODEL, REV,
PART NUMBER, AND SERIAL NUMBER OF UNIT.

GLOBE FOOD EQUIPMENT COMPANY

2215 East River Road
Dayton, Ohio 45439

Parts Department

Toll Free 1-800-745-6238 · Fax (937) 290-0585

E-Mail: info@globefoodequip.com

Website: www.globefoodequip.com

Not for resale

Table of Contents

Description

Page

CM22 Meat Chopper Components

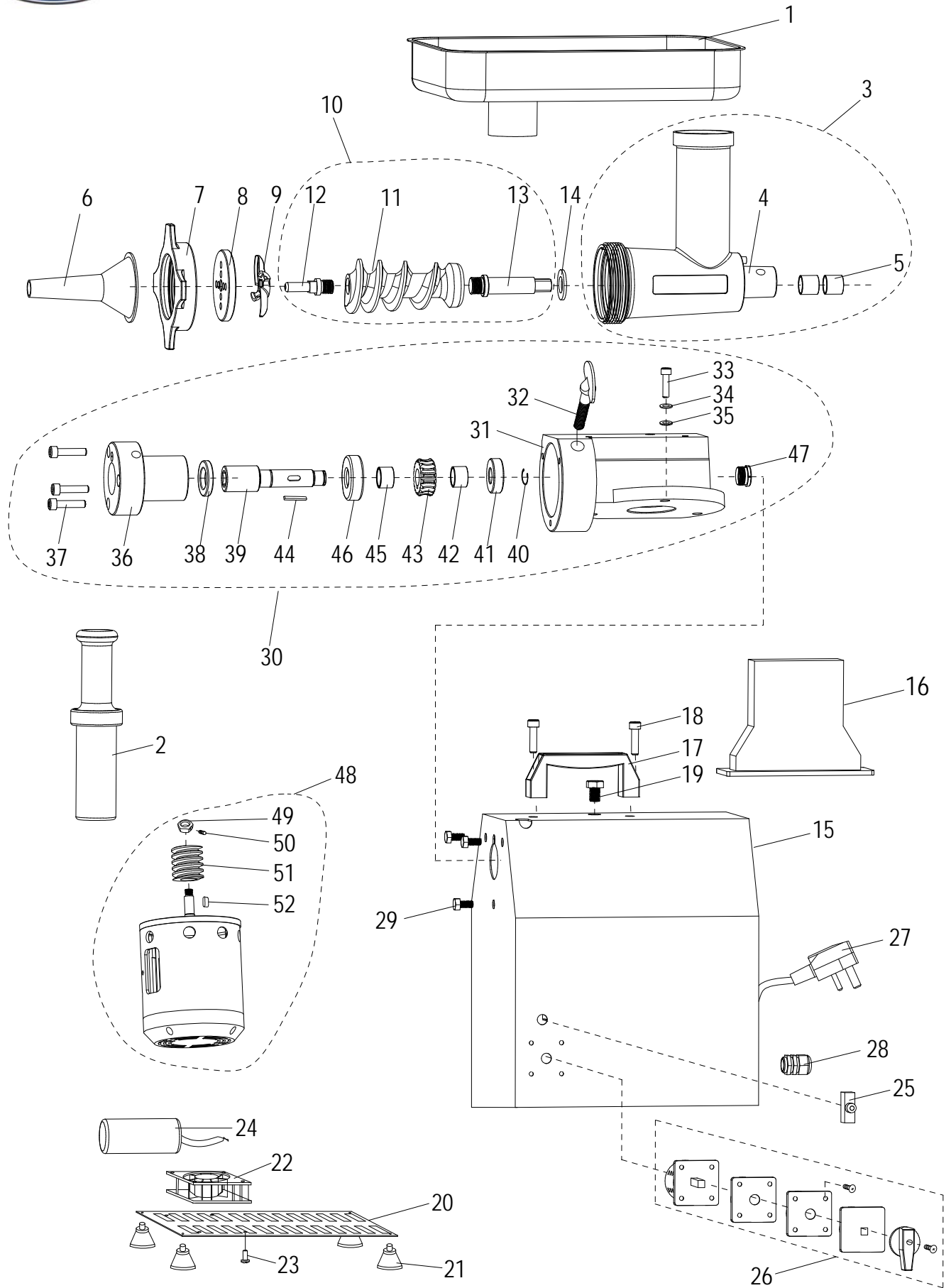
3

Wiring Diagram

5



CM22 Meat Chopper Components



CM22 Meat Chopper Components



| Item | Part Number | Description | Qty | Serial Number |
|------|-------------|---|-----|-------------------|
| 1 | L00487 | Food Tray | 1 | |
| 2 | L00447 | Food Pusher | 1 | |
| 3 | L01242 | Chopper Housing Assy. (Incl. items 4-5) | 1 | |
| 4 | | Chopper Housing | 1 | |
| 5 | | Bushing, Chopper Housing | 2 | |
| 6 | L00478 | Stuffing Tube | 1 | |
| 7 | L00479 | Plate Retainer | 1 | |
| 8 | L00480 | Chopper Plate | 1 | |
| 9 | L00481 | Chopper Knife | 1 | |
| 10 | L01240 | Propeller Screw Shaft Assy. (Incl. items 11-13) | 1 | |
| 11 | L00483 | Shaft, Propeller Screw | 1 | |
| 12 | L00482 | Knife Lock | 1 | |
| 13 | L00443 | Shaft, Propeller Drive | 1 | |
| 14 | L00485 | Washer, Nylon | 1 | |
| 15 | L00504 | Housing, Drive | 1 | |
| 16 | L00505 | Handle Cover | 1 | |
| 17 | L00465 | Handle | 1 | |
| 18 | H00661 | Screw M8.1x25x25 mm Zinc-Plated Socket Hd Cap | 2 | |
| 19 | L00507 | Oil Plug | 1 | |
| 20 | L00513 | Bottom Enclosure | 1 | |
| 21 | L00473 | Foot, Rubber | 4 | |
| 22 | L00475 | Cooling Fan | 1 | |
| 23 | H00660 | Screw M5x0.8x8mm Phillips Truss Hd 18-8 (SS) | 4 | |
| 24 | L00474 | Capacitor | 1 | |
| 25 | L00510 | Button, Reset | 1 | |
| 26 | L00470 | Switch, Forward/Reverse | 1 | |
| 27 | L00467 | Power Cord | 1 | |
| 28 | L00468 | Strain Relief | 1 | |
| 29 | H00655 | Screw M8x1.25x10mm Hex Hd 18-8 (SS) | 3 | |
| 30 | L00666 | Gear Box Assembly (Incl. items 31-47) | 1 | |
| 31 | L00451 | Gear Box | 1 | |
| 32 | L00450 | Thumb Screw | 1 | |
| 33 | H00656 | Screw M8x1.25x30mm Socket Hd Cap BO | 3 | |
| 34 | H00657 | Washer M8 DIN 7980 Lock Split | 3 | |
| 35 | H00191 | Flat Washer M8, 8.4 IDx16 ODx1.4-1.8mm thick DIN 125 - Zn | 3 | |
| 36 | L00449 | Attachment Hub | 1 | |
| 37 | H00656 | Screw M8x1.25x30mm Socket Hd Cap BO | 3 | |
| 38 | L00454 | Seal, Oil, Attachment Hub | 1 | |
| 39 | L00455 | Shaft, Drive Gear | 1 | |
| 40 | H00662 | Retaining Ring, Attachment Hub Worm | 1 | |
| 41 | L00501 | Bearing, Drive Gear, Rear | 1 | |
| 42 | L00459 | Spacer, Drive Gear | 1 | |
| 43 | L00499 | Drive Gear, Brass (SN range order items 30 & 51) | 1 | 2214000 - 2214129 |
| 44 | L00502 | Key, Drive Gear | 1 | |
| 45 | L00459 | Spacer, Drive Gear | 1 | |
| 46 | L00497 | Bearing, Attachment Hub, Front | 1 | |
| 47 | L00462 | Rubber Stopper | 1 | |
| 48 | L00665 | Motor Assembly (Incl. items 49-52) | 1 | |
| 49 | L00658 | Nut, Motor | 1 | |
| 50 | H00659 | Screw, Set | 1 | |
| 51 | L00493 | Gear, Motor Drive | 1 | |
| 52 | L00518 | Key, Motor | 1 | |



Wiring Diagram

| Component | Wire Color | From | To |
|-----------|------------|------|-----------------|
| Reset | Blue | 3 | Load |
| | | 7 | Line |
| Fan | Red | 8 | Fan |
| | | 10 | Fan |
| Motor | Blue | 6 | Motor/Capacitor |
| | Black | 9 | Motor |
| | Red | 11 | Motor |
| | Black | 12 | Capacitor |
| Power | Black | 4 | Load |
| | White | 2 | Neutral |
| Switch | Blue | 1 | 5 |

