

Parts Catalog



GCB15G

Gas Cooking Equipment Charbroiler

Model: GCB15G

8/07/2023 Rev B

IMPORTANT!

TO EXPEDITE SHIPMENT OF PARTS, ALWAYS SPECIFY MODEL, REV,
PART NUMBER, AND SERIAL NUMBER OF UNIT.

GLOBE FOOD EQUIPMENT COMPANY

2215 East River Road
Dayton, Ohio 45439

Parts Department

Toll Free 1-800-745-6238 · Fax (937) 290-0585

E-Mail: info@globefoodequip.com

Website: www.globefoodequip.com

Not for resale

Table of Contents

Description

Page

GCB15G Charbroiler Components

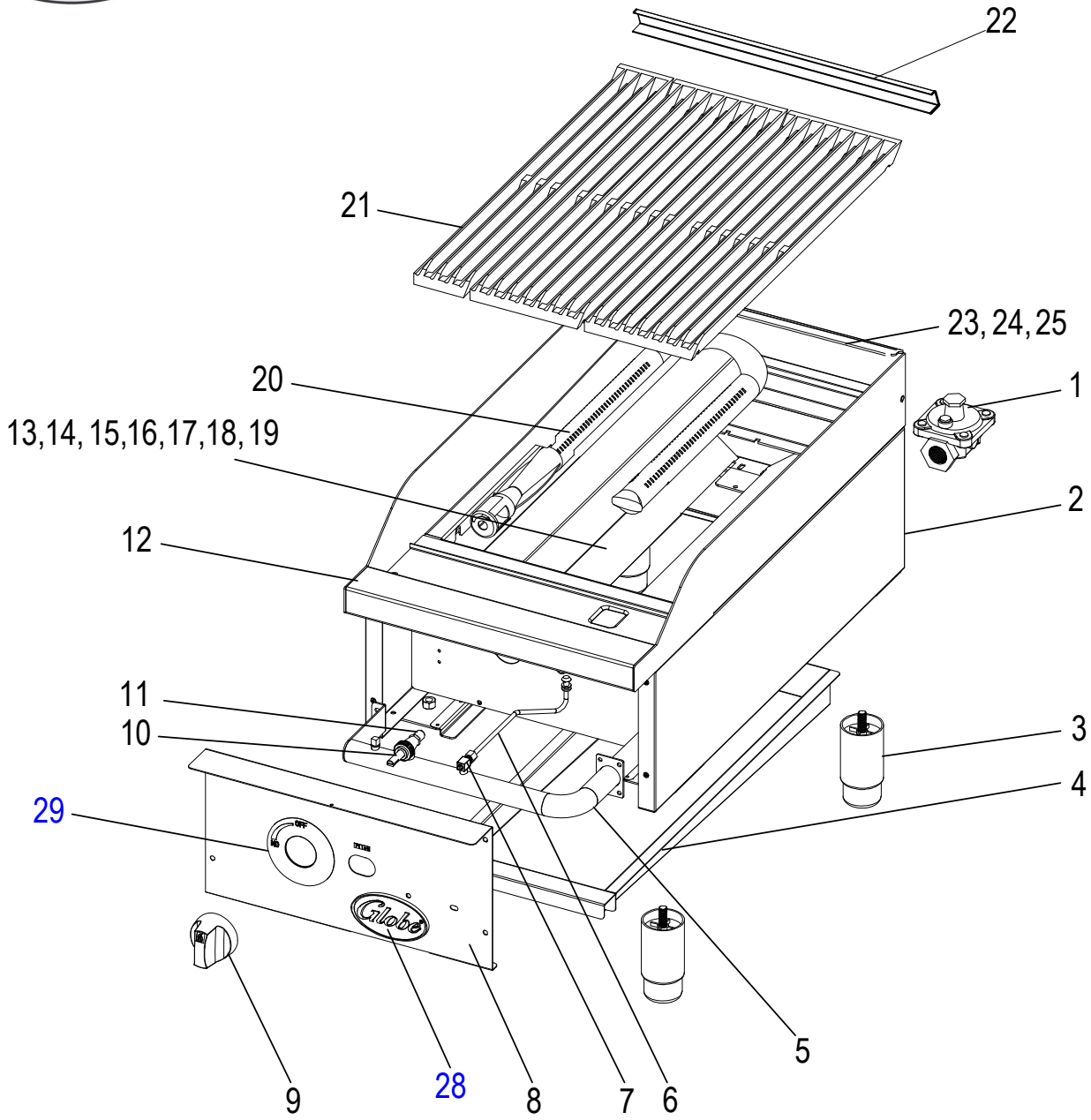
4

GCB15G Gas Orifice Elevation Chart

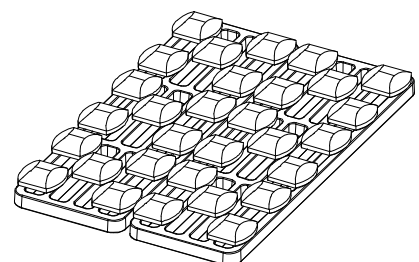
6



GCB15G Charbroiler Components



26
Char Radiant Kit - Gas





GCB15G Charbroiler Components

Item	Part Number	Description	Qty	Serial Number
1	U01221069501	Regulator	1	
2		Main Enclosure, Lower	1	
3	U01021005165	Foot	4	
4	U01256	Drip Tray	1	1716054000 ->
5		Manifold Assembly	1	
6	U01542	Pilot Pipe	1	1714030021 ->
7	U01201068509	Single Pilot Valve (AP7)	1	
8	U03037	Front Panel	1	
9	U01021005188	Control Knob	1	
10	U01201068502	Manual Control Valve (A18)	1	
11	U01201068636	Hood Orifice #36	1	
11	U06051470847	Hood Orifice #38	1	
11	U06051470877	Hood Orifice #39	1	
11	U06051470907	Hood Orifice #40	1	
11	U06051470937	Hood Orifice #42	1	
11	U01201068649	Hood Orifice #49	1	
11	U06051470832	Hood Orifice #50	1	
11	U01201068651	Hood Orifice #51	1	
12		Main Enclosure, Upper	1	
13	U01218	Plate & Support Kit	1	Not Shown
14	U01212	Support Bar	2	Not Shown
15	U01216	Isolation Plate	2	
16	U01217	Screw	4	Not Shown
17	U01488	Burner Cover	1	Not Shown
18	U02044	Radiant Tent, Cast Iron	1	Equivalent to CHARCIRAD
19	U02046	Radiant Tent, Stainless Steel	1	Equivalent to CHARSSRAD
20	U06051470672	"U" Shaped Burner	1	1714030021 ->
21	U01031015045	Cooking Grate 3"	1	Equivalent to CHARGRATE3
22	U01538	Support	1	1714030021 ->
23		Isolating Plate Assembly	1	
24		Isolating Plate, Lower	1	
25		Panel, Burner Support	1	
26	U02045	Char Radiant Kit - Gas	1	Equivalent to CHARRADKIT
27	U01021005186	Ignition Bar	1	Not Shown
28	U01021005383	Globe Badge	1	
29	U04031317503	Control Knob Overlay	1	



GCB15G Gas Orifice Elevation Chart

Model	Rated Input Per Burner (BTU/HR)	Elevation		Elevation	
		Nat	LP	Nat	LP
		0-2000 ft		2000 - 4000 ft	
		Nat	LP	Nat	LP
Char Broiler	40000	U01201068636 (#36)	U01201068649 (#49)	U06051470847 (#38)	U06051470832 (#50)
		Elevation		Elevation	
		4000 - 6000 ft		6000 - 8000 ft	
		Nat	LP	Nat	LP
Char Broiler	40000	U06051470877 (#39)	U06051470832 (#50)	U06051470907 (#40)	U01201068651 (#51)
		Elevation			
		8000 - 10000 ft			
		Nat	LP		
Char Broiler	40000	U06051470937 (#42)	U01201068651 (#51)		