

# Parts Catalog



**GG48TG**

## **Gas Cooking Equipment Griddle**

**Model: GG48TG**

8/15/23 Rev. B

**IMPORTANT!**

TO EXPEDITE SHIPMENT OF PARTS, ALWAYS SPECIFY MODEL, REV,  
PART NUMBER, AND SERIAL NUMBER OF UNIT.

### **GLOBE FOOD EQUIPMENT COMPANY**

2215 East River Road  
Dayton, Ohio 45439

#### **Parts Department**

Toll Free 1-800-745-6238 · Fax (937) 290-0585

E-Mail: [info@globefoodequip.com](mailto:info@globefoodequip.com)

Website: [www.globefoodequip.com](http://www.globefoodequip.com)

Not for resale



# Table of Contents

**Description**

**Page**

GG48TG Thermostatic Griddle Components

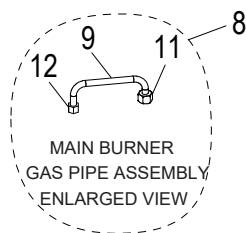
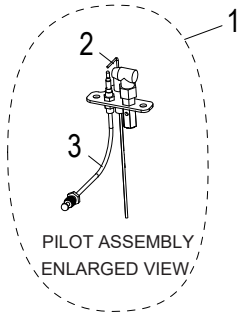
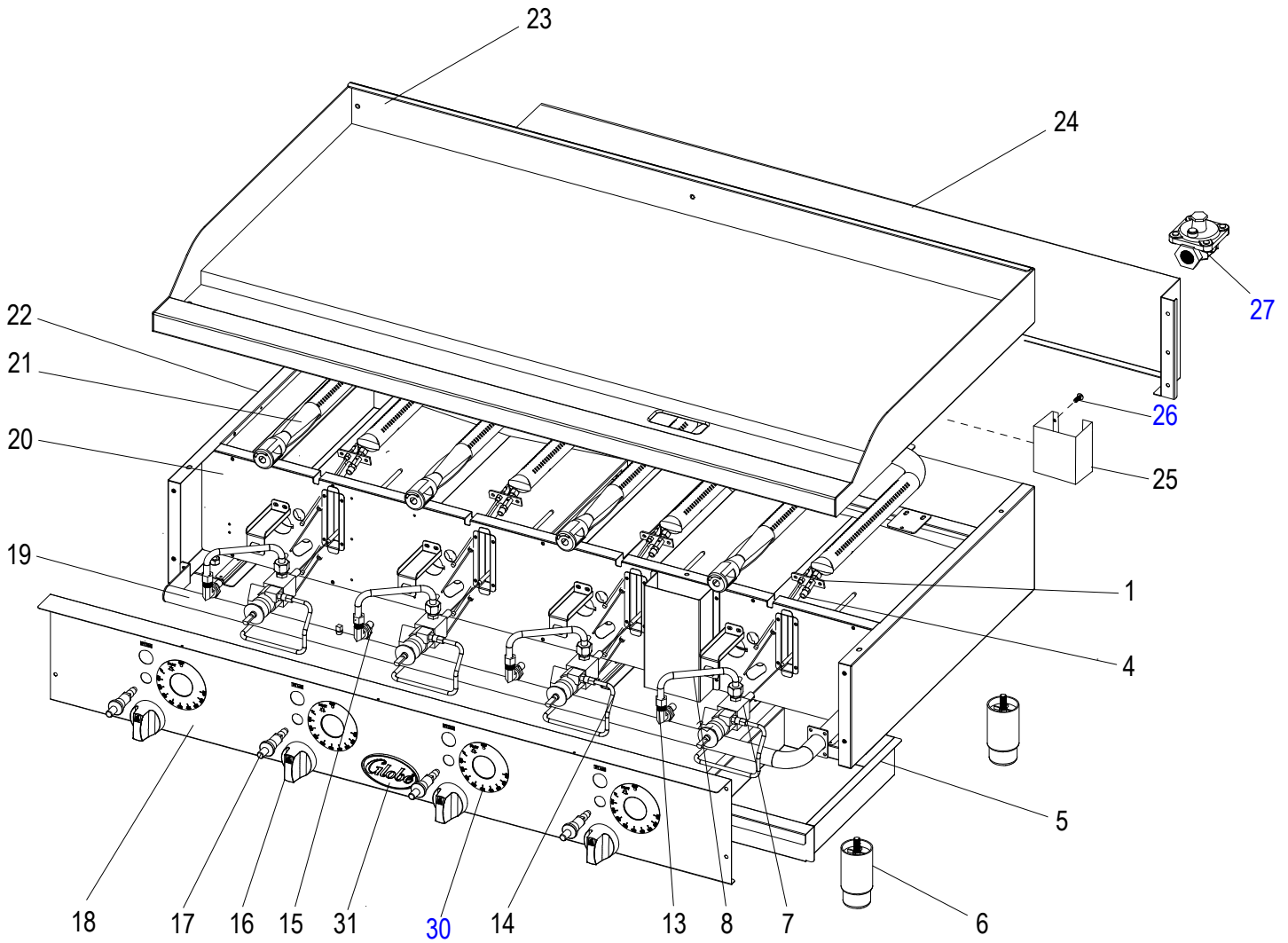
4

GG48TG Gas Orifice Elevation Chart

6



# GG48TG Thermostatic Griddle Components





## GG48TG Thermostatic Griddle Components

Item	Part Number	Description	Qty	Serial Number
1	U00677	Pilot Assembly (Incl. items 2-3)	4	
2	U02483	Thermocouple	4	
3	U03991290123	Piezo Ignition Assembly	4	
4	U01201068512	Pilot Injector (LPG)	4	
4	U01201068513	Pilot Injector (NG)	4	
5	U00811	Drip Tray	1	1615053187 ->
6	U01021005165	Foot	4	
7	U01201068510	Thermostatic Valve	4	
8	U01079	Gas Pipe Kit (Incl. items 9-12)	4	1614030141 ->
9		Main pipe	1	
10		Copper Cover Not Shown	2	
11		Nut M16	1	
12		Nut M14	1	
13	U01080	Injector Connection	4	
14	U01500	Pilot Pipe Kit	4	
15	U01201068641	Hood Orifice #41	4	
15	U01201068651	Hood Orifice #51	4	
15	U06051470839	Hood Orifice #43	4	
15	U06051470824	Hood Orifice #52	4	
15	U06051470869	Hood Orifice #44	4	
15	U06051470899	Hood Orifice #45	4	
15	U06051470884	Hood Orifice #53	4	
15	U06051470929	Hood Orifice #47	4	
16	U01021005188	Control Knob	4	
17	U03991290085	Piezo Ignition Button	4	
18	U02908	Control Panel	1	
19		Manifold Assembly	1	
20		Isolating Plate, Front	1	
21	U06051470672	"U" Shaped Burner	4	1614030121 ->
22		Main Enclosure, Lower	1	
23		Griddle Plate Assembly	1	
24	U01073	Rear Panel Purchase with *	1	1614030140 ->
25	U01032	Bracket *	1	1614030140 ->
26	U01075	Screw *	4	1614030140 ->
27	U01221069501	Regulator	1	
28		Isolating Plate, Lower Not Shown	2	
29		Copper Cover Not Shown	1	
30	U01920	Overlay	1	
31	U01021005383	Globe Badge	1	



## GG48TG Gas Orifice Elevation Chart

Model	Rated Input Per Burner (BTU/HR)	Elevation		Elevation	
		Nat	LP	Nat	LP
		0-2000 ft		2000 - 4000 ft	
		Nat	LP	Nat	LP
Griddle	30000	<a href="#">U01201068641 (#41)</a>	<a href="#">U01201068651 (#51)</a>	<a href="#">U06051470839 (#43)</a>	<a href="#">U06051470824 (#52)</a>
		Elevation		Elevation	
		4000 - 6000 ft		6000 - 8000 ft	
		Nat	LP	Nat	LP
Griddle	30000	<a href="#">U06051470869 (#44)</a>	<a href="#">U06051470824 (#52)</a>	<a href="#">U06051470899 (#45)</a>	<a href="#">U06051470884 (#53)</a>
		Elevation		Pilot For Thermostatic Griddle Only	
		8000 - 10000 ft		All Elevations	
		Nat	LP	Nat	LP
Griddle	30000	<a href="#">U06051470929 (#47)</a>	<a href="#">U06051470884 (#53)</a>	<a href="#">U01201068513 (.45mm)</a>	<a href="#">U01201068512 (.25mm)</a>