

Parts Catalog



GPD-H

Power Drive Unit

Model: GPD-H

06/18/2025 Rev. A

IMPORTANT!

TO EXPEDITE SHIPMENT OF PARTS, ALWAYS SPECIFY MODEL, REV,
PART NUMBER, AND SERIAL NUMBER OF UNIT.

GLOBE FOOD EQUIPMENT COMPANY

2215 East River Road
Dayton, Ohio 45439

Parts Department

Toll Free 1-800-745-6238

E-Mail: info@globefoodequip.com

Website: www.globefoodequip.com

Not for resale

Table of Contents

Description

Page

GPD-H Power Drive Components

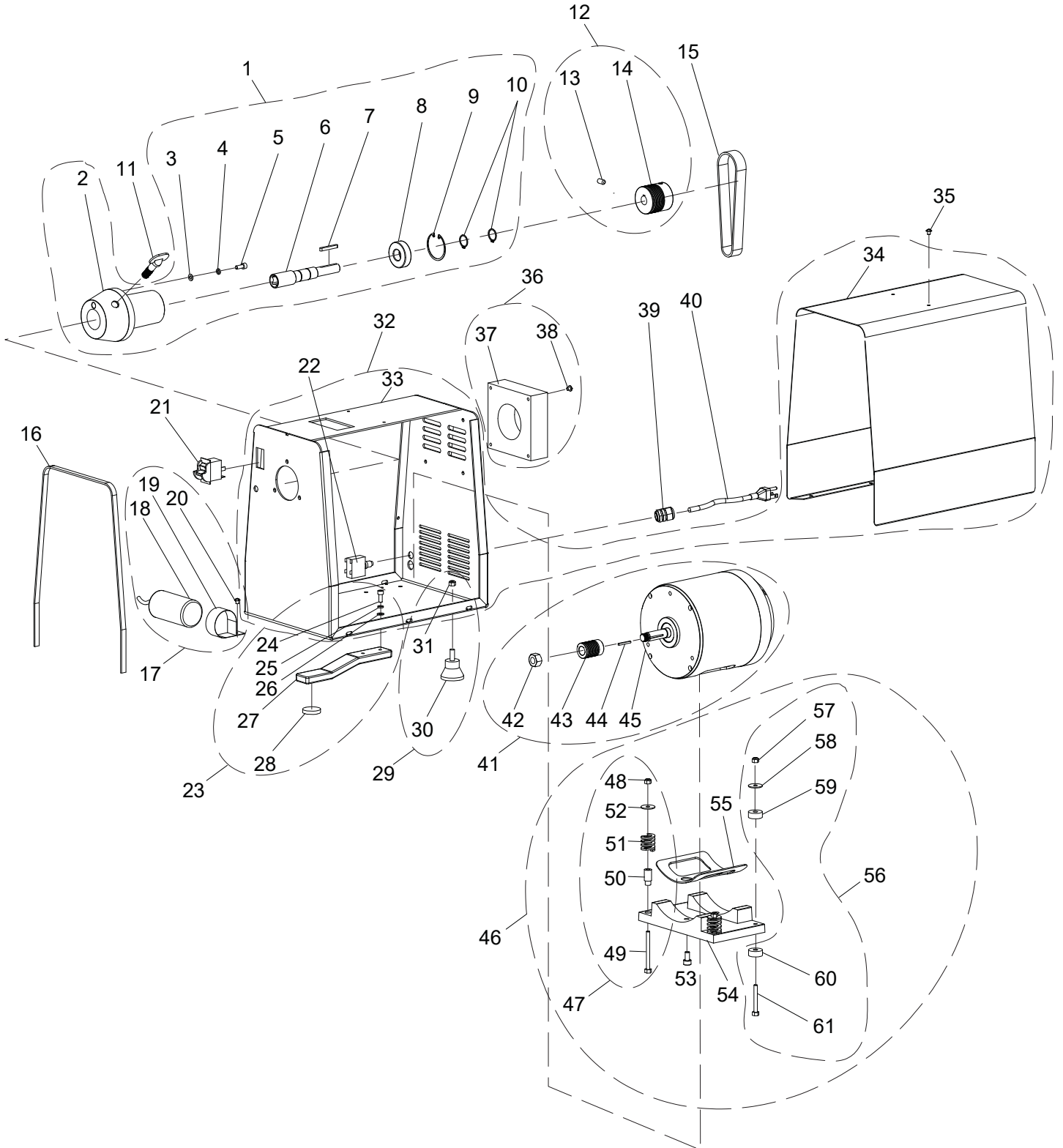
4

GPD-H Wiring Diagram

7



GPD-H Power Drive Components





GPD-H Power Drive Components

Item	Part Number	Description	Qty	Serial Number
1	L02305	Hub Assembly	1	
2	L02088	Attachment Hub	1	
3	M035	Flat Washer ID 6.5 OD 12 TH 1.5 mm Zinc	3	
4	X08008	Washer	3	
5	H02320	Screw, Recessed Hex Hd M8-32x20mm	3	
6	L02099	Shaft, Drive Gear	1	
7	L02100	Key, Drive Gear	1	
8	L02323	Bearing	2	
9	L02324	Retaining Ring	2	
10	L02325	Retaining Ring	2	
11	L00450	Thumb Screw	1	
12	L02307	Pulley Assembly	1	
13	H00186	Set Screw M8-1.25x10 Cup Pt. Hex Socket - BO	2	
14	L02092	Pulley	1	
15	L02094	Belt	1	
16	L02085	Seal, Strip	1	
17	L02308	Capacitor Kit	1	
18	L02097	Capacitor	1	
19	L02304	Clamp, Capacitor	1	
20	H00660	Screw M5x0.8x8mm Phillips Truss Hd 18-8 (SS)	1	
21	L02087	ON-OFF Switch	1	
22	L02096	Reset Button	1	
23	L02309	Leg Kit	1	
24	H00021	Cap Screw, Hex Hd Black Oxide	4	
25	X08008	Washer	4	
26	M035	Flat Washer ID 6.5 OD 12 TH 1.5 mm Zinc	4	
27	L02076	Leg, Aluminum	2	
28	L02089	Grip	2	
29	L02310	Foot Kit	1	
30	L00473	Foot	2	
31	H02311	Locknut, Nylon M6x25mm	2	
32	L02470	Drive Housing Assembly	1	
33	L02086	Housing, Body	1	
34	L02084	Housing, Drive	1	
35	H00660	Screw M5x0.8x8mm Phillips Truss Hd 18-8 (SS)	8	
36	L02312	Cooling Fan Kit	1	
37	L00475	Fan, Cooling	1	
38	H00660	Screw M5x0.8x8mm Phillips Truss Hd 18-8 (SS)	4	
39	L00468	Strain Relief	1	
40	L00467	Power Cord	1	
41	L02314	Motor Assembly	1	
42	H02315	Nut, Hex M13x50mm	1	
43	L02077	Motor Pulley	1	
44	L02078	Key	1	
45	L02079	Motor	1	
46	L02316	Motor Support Kit	1	
47	L02317	Spring Kit	1	
48	H02311	Locknut, Nylon M6x25mm	4	
49	H02321	Cap Screw, Hex Hd M6-1.0x61mm	2	
50	L02081	Spacer, Spring	2	
51	L02095	Spring	2	
52	H02319	Washer, Flat M6 OD 1.0x ID 6mm	4	
53	H02320	Screw, Recessed Hex Hd M8-32x20mm	2	



GPD-H Power Drive Components

Item	Part Number	Description	Qty	Serial Number
54	L02082	Support, Motor	1	
55	L02083	Motor Pad	1	
56	L02318	Vibration Pad Assembly	2	
57	H02311	Locknut, Nylon M6x25mm	2	
58	H02319	Washer, Flat M6 OD 1.0x ID 6mm	2	
59	L02080	Pad, Vibration	4	
60	L02080	Pad, Vibration	2	
61	H02322	Cap Screw, Hex Hd M6-1.0x48mm	2	
62	L02284	Warning Label	1	
63	L02285	French Warning Label	1	



GPD-H Wiring Diagram

