

# Parts Catalog



**GSG10**

## **Bistro Series Electric Sandwich Grill Model: GSG10**

5/5/2023 Rev. D

IMPORTANT!

TO EXPEDITE SHIPMENT OF PARTS, ALWAYS SPECIFY MODEL, REV,  
PART NUMBER, AND SERIAL NUMBER OF UNIT.

### **GLOBE FOOD EQUIPMENT COMPANY**

2215 East River Road  
Dayton, Ohio 45439

#### **Parts Department**

Toll Free 1-800-745-6238 · Fax (937) 290-0585

E-Mail: [info@globefoodequip.com](mailto:info@globefoodequip.com)

Website: [www.globefoodequip.com](http://www.globefoodequip.com)

Not for resale



# Table of Contents

**Description**

**Page**

GSG10 10 Inch Single Grill Components (Smooth)

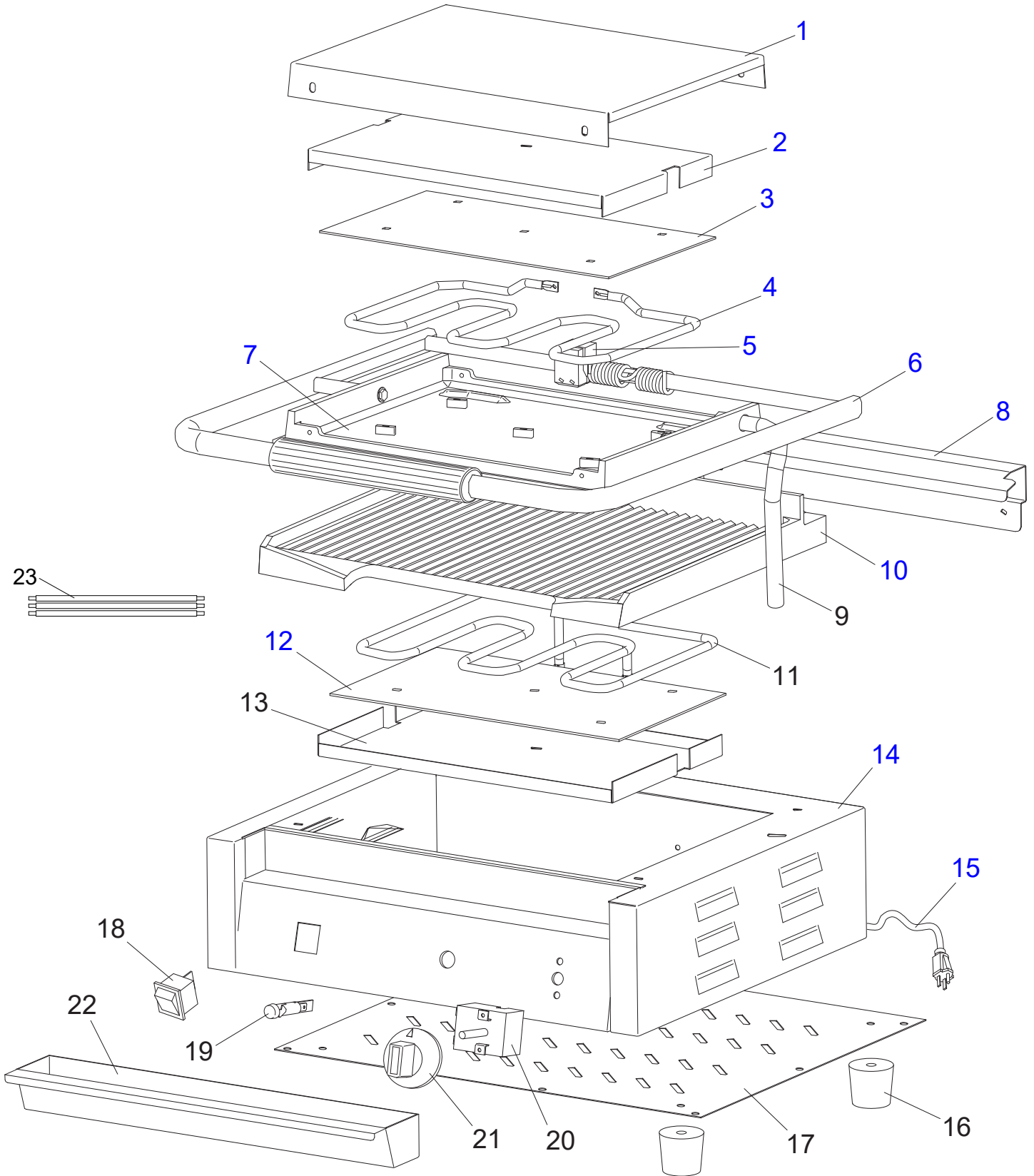
4

GSG10 Wiring Diagram

6



# GSG10 10 Inch Single Grill Components (Smooth)





## **GSG10 10 Inch Single Grill Components (Smooth)**

Item	Part Number	Description	Qty	Serial Number
1	U00707	Top Cover	1	
2	U00708	Upper Insulating Plate	1	
3	U00709	Upper Mica Plate	1	
4	U03061225050	Upper Element	1	
5	U01021005138	Tension Bracket	1	
6	U00712	Handle Assembly	1	
7	U00711	Upper Plate (Smooth)	1	
8	U00714	Back Baffle	1	
9	U01021005045	Wiring Cover	1	
10	U00715	Lower Plate (Smooth)	1	
11	U03061225051	Lower Element	1	
12	U00717	Lower Mica Plate	1	
13	U00718	Lower Insulating Plate	1	
14	U00719	Body Assembly	1	
15	U03021205012	Powercord (120V)	1	
16	U02121165004	Foot Kit	4	
17		Base Plate	1	
18	U03041215027	Power Switch	1	
19	U03091240006	Indicator Light	1	
20	U03051220022	Thermostat	1	
21	U02101155019	Temperature Knob	1	
22	U01051026865	Drip Tray	1	
23	U00812	Wire Harness	1	
24	U01495	Overlay (Not Shown)	1	
25	U00579	Strain Relief (Not Shown)	1	



# GSG10 Wiring Diagram

