

Parts Catalog



GVP20

Vacuum Packaging Machine

Model: GVP20

06/18/2025 Rev. A

IMPORTANT!

TO EXPEDITE SHIPMENT OF PARTS, ALWAYS SPECIFY MODEL, REV,
PART NUMBER, AND SERIAL NUMBER OF UNIT.

GLOBE FOOD EQUIPMENT COMPANY

2215 East River Road
Dayton, Ohio 45439

Parts Department

Toll Free 1-800-745-6238

E-Mail: info@globefoodequip.com

Website: www.globefoodequip.com

Not for resale

Table of Contents

Description

Page

GVP20 VacPak Components

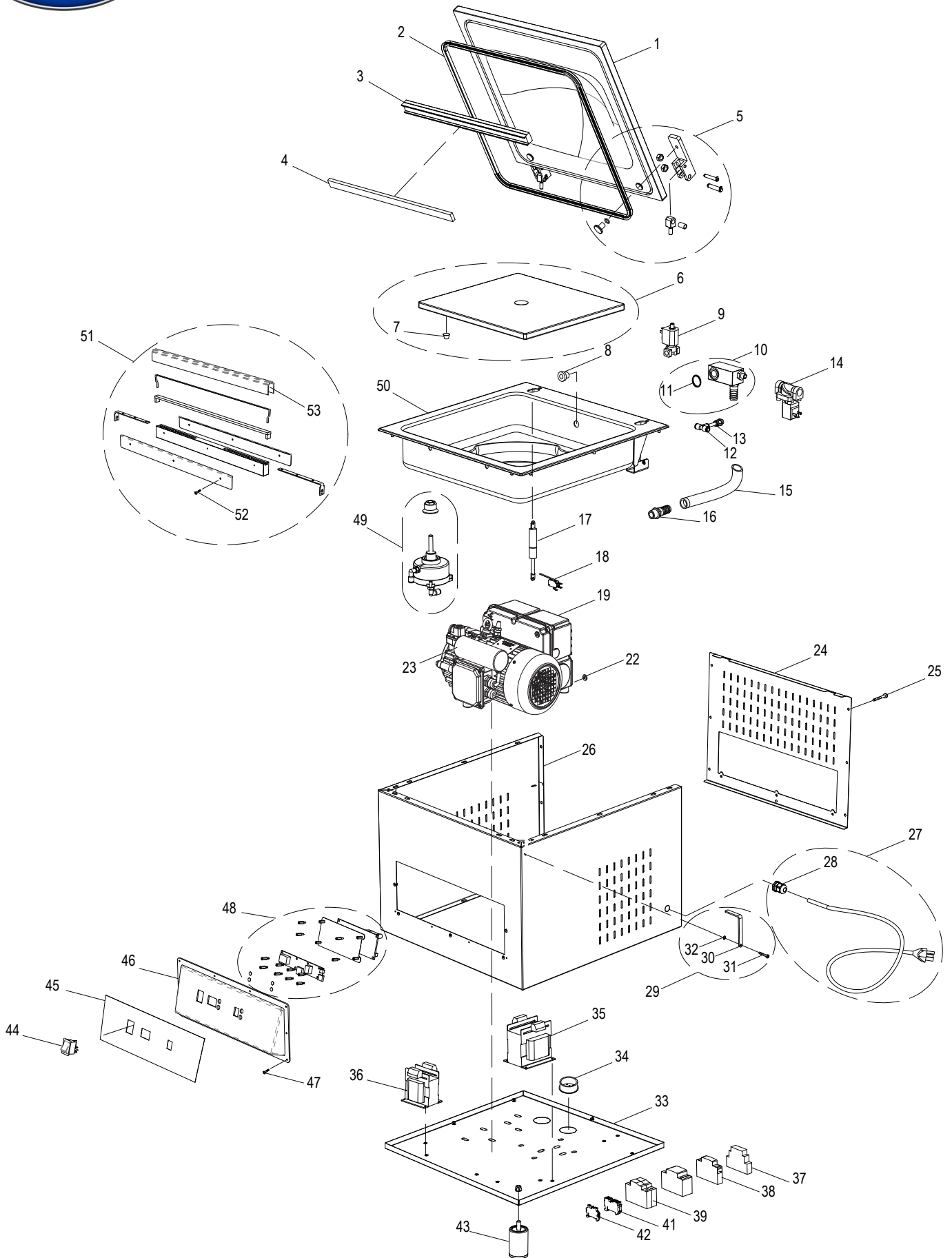
4

GVP20 Wiring Diagram

8



GVP20 VacPak Components





GVP20 VacPak Components

Item	Part Number	Description	Qty	Serial Number
1	V02924	Lid	1	
2	V02927	Gasket (6 Ft)	1	
3	V02976	Counterbar with Tape	1	
4	V02967	Silicon Pad	1	
5	V02936	Hinge Kit	2	
6	V02929	Plate with Feet	2	
7	V02930	Silicone Feet (18/Pack)	8	
8	V02920	Nozzle	1	
9	V02956	Solenoid Valve (2 Way)	1	
10	V02960	Air Regulator Kit	1	
11	H03007	O-ring	1	
12	V02977	T-Fitting	2	
13	V02978	Blue Hose (Not Shown)	1	
14	V02957	Solenoid Valve (3 Way)	1	
15	V02961	Clear Hose	1	
16	V02962	Connector	1	
17	V02922	Shock Absorber	2	
18	V02939	Microswitch	1	
19	V02933	Motor with Oil Pump	1	
20	V02988	Motor Kit (Not Shown)	1	
21	V02989	Motor Kit (Not Shown)	1	
22	V02990	Drain Plug	2	
23	V02994	Capacitor	1	
24	V02916	Back Panel	1	
25	H02980	Cheese Hd Screw-Phillips, M5-08x10mm, SS	7	
26	V02912	Panel, Front & Side	1	
27	V02943	Power Cord w/Strain Relief	1	
28	V02963	Strain Relief	1	
29	V02984	Lid Lock Kit	1	
30	V02919	Lock, Lid	1	
31	X10179	Cheese Hd Screw-Phillips, M4-0.7x10mm,SS-18-8/A2	1	
32	H01861	Washer M4x10OD mm Flat	1	
33	V02914	Panel, Bottom	1	
34	V02969	Cap	1	
35	V02958	Seal Bar Transformer	1	
36	V02972	Supply Transformer	1	
37	V02940	Relay (50-60Hz/32A)	1	
38	V02964	Contactora (24V/50-60Hz/20A)	2	
39	V02941	Fuse Holder	1	
40	V02991	Fuse (15A) (Not Shown)	2	
41	V02970	Ground Terminal	1	
42	V02971	Bracket	2	
43	V02942	Foot	5	
44	V02909	Power Switch	1	
45	V03013	Overlay	1	
46	V03015	Control Panel	1	
47	X10179	Cheese Hd Screw-Phillips, M4-0.7x10mm,SS-18-8/A2	10	
48	V02937	Control Board with Display	1	
49	V02932	Piston Kit	2	
50	V02918	Tub	1	
51	V02965	Seal Bar Assembly	1	
52	H03010	Screw, Self Tapping	6	
53	V03011	Teflon Tape (20" L)	1	



GVP20 VacPak Components

Item	Part Number	Description	Qty	Serial Number	
54	V02995	Fitting, Elbow	(Not Shown)	4	
55	V02987	Oil (1L)	(Not Shown)	1	
56	V03116	Allen Wrench	(Not Shown)	1	



INTENTIONALLY LEFT BLANK PAGE



GVP20 Wiring Diagram

