

# Parts Catalog



Model PG14

## ELECTRIC PANINI & SANDWICH GRILLS

MODELS:

PG10, SG10, SG14, PG14 & PG14-2

01-26-2011

IMPORTANT!

TO EXPEDITE SHIPMENT OF PARTS, ALWAYS SPECIFY MODEL, REV,  
PART NUMBER, AND SERIAL NUMBER OF SLICER.

### GLOBE FOOD EQUIPMENT COMPANY

2215 East River Road

Dayton, Ohio 45439

#### Parts Department

Toll Free 1-800-745-6238 · Fax (937) 290-0585

E-Mail: [globeinfo@globeslicers.com](mailto:globeinfo@globeslicers.com)

Website: [www.globeslicers.com](http://www.globeslicers.com)

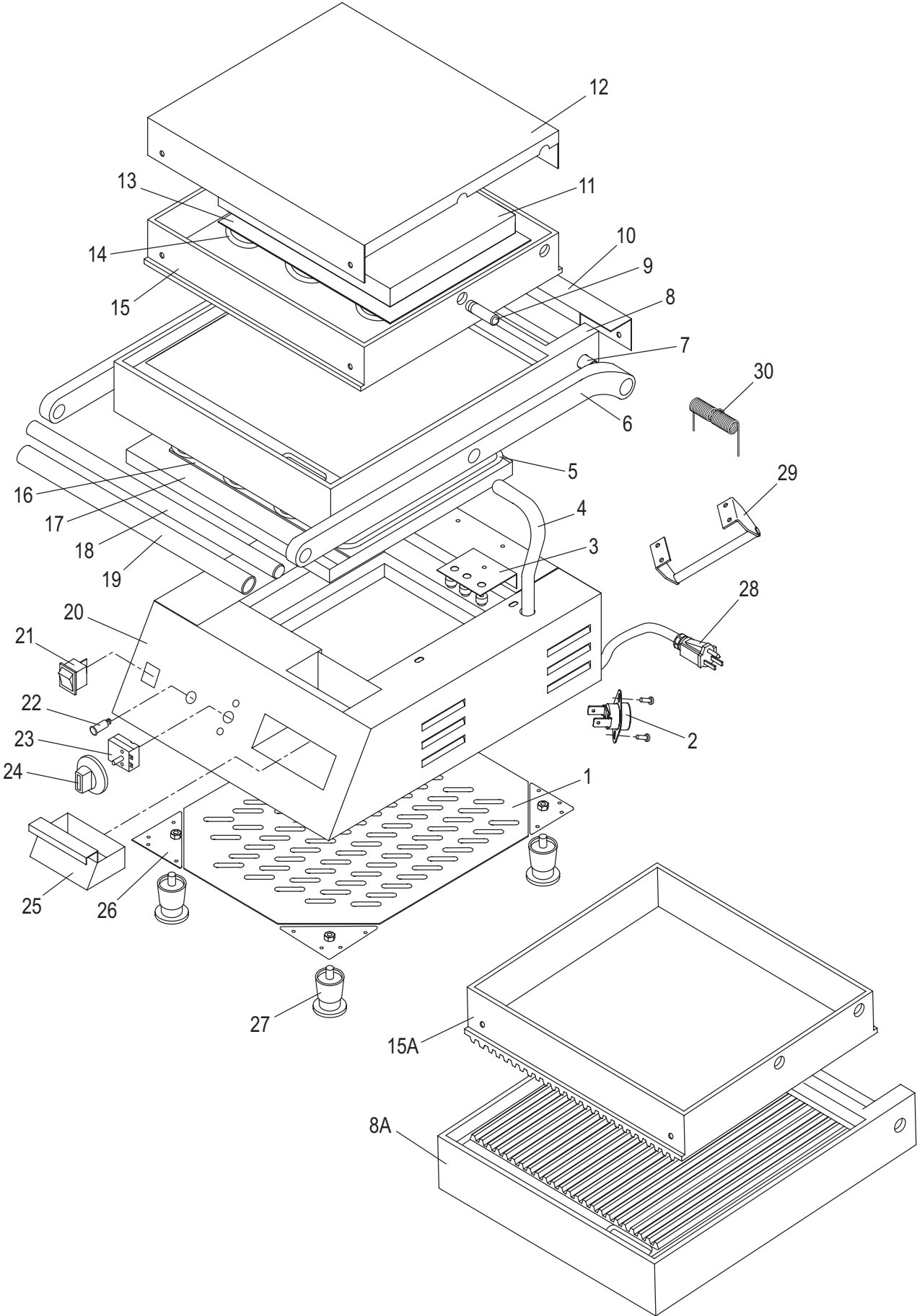
Not for resale



## TABLE OF CONTENTS

	<u>PAGE</u>
<u>SMALL GRILLS:</u>	
PG10/SG10 (120V)	1 - 2
<u>MEDIUM GRILLS:</u>	
PG14/SG14 (120V)	3 - 4
PG14-2 (220V)	
<u>WIRING DIAGRAM</u>	5

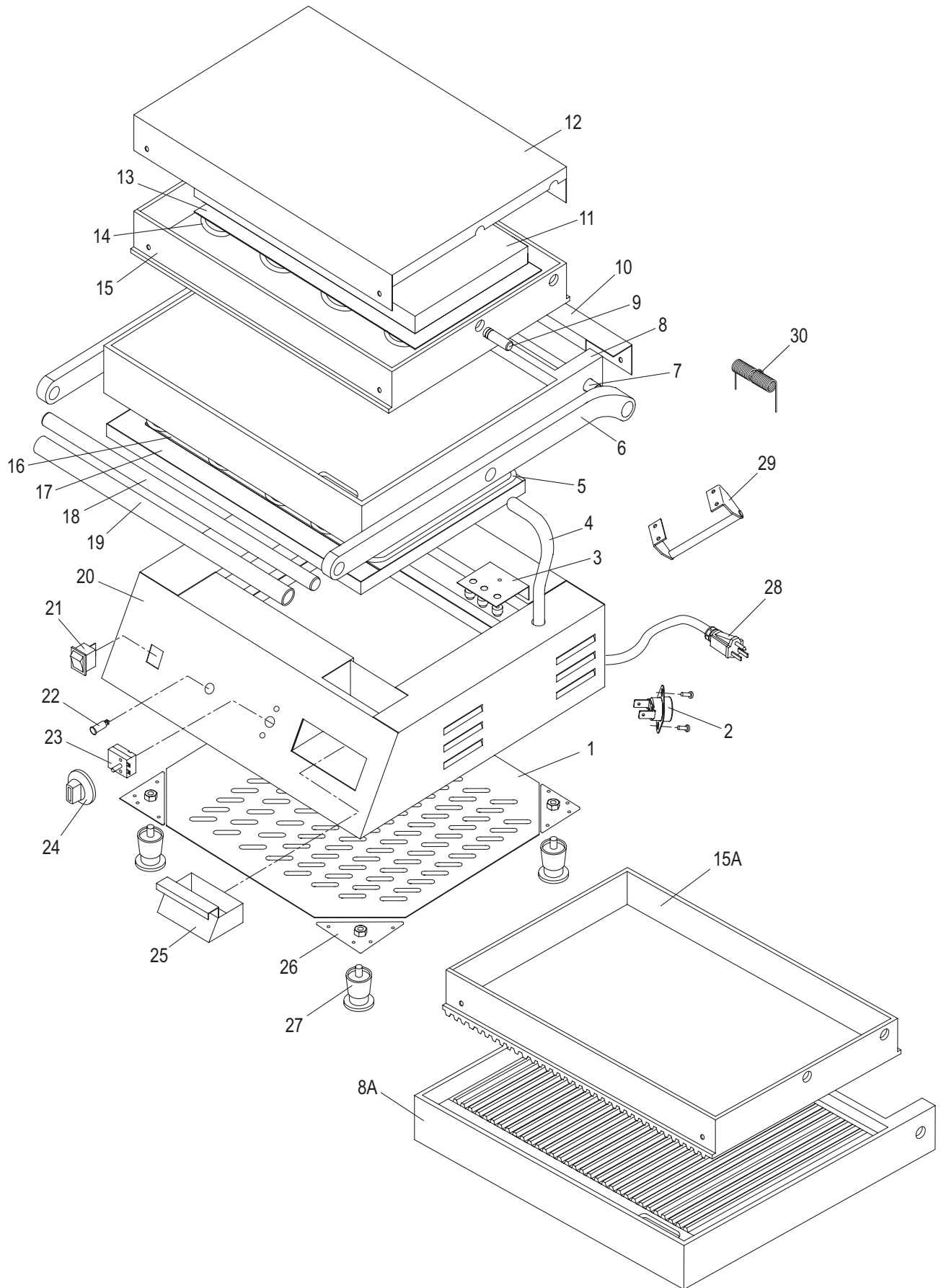
# PG10 & SG10 (120V) SMALL GRILL COMPONENTS



## PG10 & SG10 PARTS LIST

Item	Description	Part No.	Qty
1	Base Plate	U01071040084	1
2	Thermal Cut-Out (120V)	U03051220001	1
3	Wiring Connector	U01051025025	1
4	Wiring Cover	U01021005045	1
5	Lower Element (120V)	U03061225091	1
6	Left/Right Handle	U01021005008	1/1
7	Back Shaft	-	1
8	Lower Cast Iron - Sandwich Grill	-	1
8A	Lower Cast Iron - Panini Grill	-	
9	Shaft Kit, Left/Right Includes: Clip, Washer & Screw	U01141065007	1 Ea Side
10	Back Baffle	-	1
11	Upper Insulating Plate	-	1
12	Top Cover	-	1
13	Upper Mica Plate	U01991090031	1
14	Upper Element (120V)	U03061225090	1
15	Upper Cast Iron - Sandwich Grill	-	1
15A	Upper Cast Iron - Panini Grill	-	
16	Lower Mica Plate	U01991090032	1
17	Lower Insulating Plate	-	1
18	Front Shaft	U01091050060	1
19	Front Shaft Assembly	U02101155092	1
20	Body Assembly	-	1
21	Power Switch	U03041215027	1
22	Indicator Light (120V)	U03091240005	1
23	Thermostat	U03051220007	1
24	Dial	U02101155013	1
25	Drip Tray	U01051025022	1
26	Triangle Plate	-	4
27	Foot	U01021005002	4
28	Cord & Plug (120V)	U03021205012	1
29	Handle	U01091050019	2
30	Spring	U01091050021	2

# PG14/SG14 (120V), PG14-2 (220V) GRILL COMPONENTS



## PG14/SG14 (120V), PG14-2 (220V) PARTS LIST

Item	Description	Part No.	Qty
1	Base Plate	U01071040009	1
2	Thermal Cut-Out (120V)	U03051220001	1
	Thermal Cut-Out (220V)	U03051220002	
3	Wiring Connector	U01051025025	1
4	Wiring Cover	U01021005045	1
5	Lower Element (120V)	U03061225057	1
	Lower Element (220V)	U03061225059	
6	Left/Right Handle	U01021005008	2
7	Back Shaft	-	1
8	Lower Cast Iron - Sandwich (Flat)	-	1
8A	Lower Cast Iron - Panini (Ribbed)	-	
9	Shaft Kit, Left/Right Includes: Clip, Washer & Screw	U01141065007	1 Ea Side
10	Back Baffle	U01051025021	1
11	Upper Insulating Plate	-	1
12	Top Cover	-	1
13	Upper Mica Plate	-	1
14	Upper Element (120V)	U03061225056	1
	Upper Element (220V)	U03061225058	
15	Upper Cast Iron - Sandwich (Flat)	-	1
15A	Upper Cast Iron - Panini (Ribbed)	-	
16	Lower Mica Plate	U01991090006	1
17	Lower Insulating Plate	-	1
18	Front Shaft	U01141065009	1
19	Front Shaft Assembly	U02101155056	1
20	Body Assembly	-	1
21	Power Switch	U03041215027	1
22	Indicator Light (120V)	U03091240005	1
	Indicator Light (220V)	U03091240006	
23	Thermostat	U03051220007	1
24	Dial	U02101155013	1
25	Drip Tray	U01051025022	1
26	Triangle Plate	-	4
27	Foot	U01021005002	4
28	Cord & Plug (120V)	U03021205012	1
	Cord & Plug (220V)	U03021205011	
29	Handle	U01091050019	2
30	Spring	U01091050117	2

# WIRING DIAGRAM, ALL MODELS

