

Parts Catalog



SP8-RL Mixer

MIXER

MODEL: SP8-RL

08-04-14

IMPORTANT!

TO EXPEDITE SHIPMENT OF PARTS, ALWAYS SPECIFY MODEL, REV,
PART NUMBER, AND SERIAL NUMBER OF MIXER.

GLOBE FOOD EQUIPMENT COMPANY

2215 East River Road
Dayton, Ohio 45439

Parts Department

Toll Free 1-800-745-6238 • Fax (937) 290-0585

E-Mail: info@globefoodequip.com

Website: www.globefoodequip.com

Not for resale

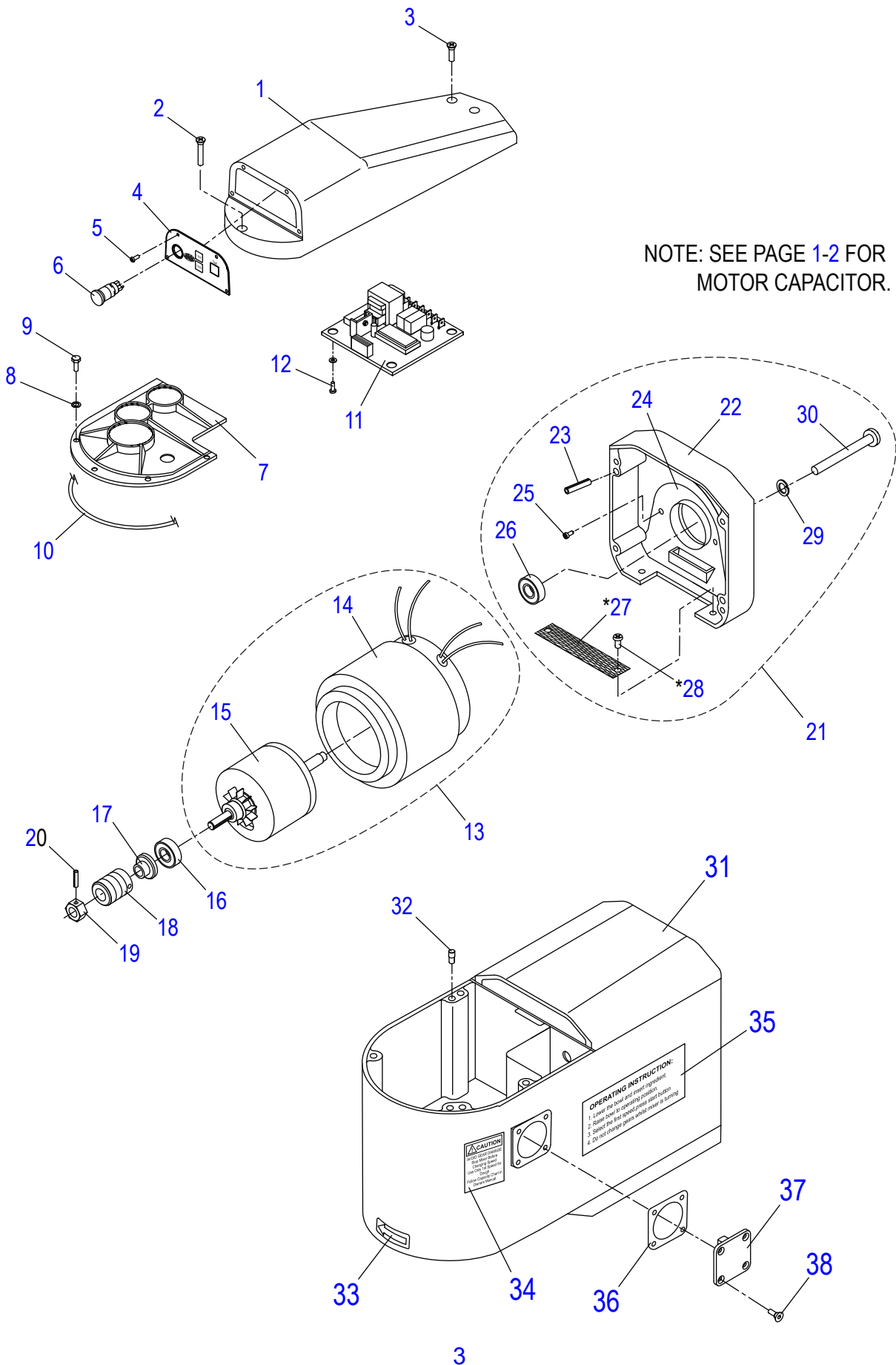
TABLE OF CONTENTS

	Page
Base	1 - 2
Head	3 - 4
Gears	5 - 6
Planetary	7
Wiring Diagram	8

SP8-RL BASE PARTS LIST

ITEM	DESCRIPTION	PART NUMBER	QTY	HARDWARE
1	BOWL LIFT HANDLE ASSEMBLY	X08065-74	1	
2	HANDLE, BOWL LIFT	-	1	
3	COTTER PIN	X08066	1	
4	ROD, BOWL LIFT	-	1	
5	ROLL PIN	-	1	Ø5x24mm
6	CONNECTOR, BOWL LIFT	-	1	
6A	SHOULDER SCREW	X08069A	1	
7	ROLL PIN	X08070	1	Ø3x18mm
8	WASHER, FLAT	X08071	2	M8x16x1.5mm
9	SPRING	X08072	1	M5
10	NUT, HEX	X08074	1	M8
11	MIXER COLUMN	X08075	1	
12	WASHER, FLAT	X08076	4	M8
13	SCREW, HEX HEAD	X08077	4	M8x25mm
14	STRAIN RELIEF, 90 DEGREE	X08078	1	
15	CORD AND PLUG	X08079	1	
16	SET SCREW, SOCKET HEAD - CUP POINT	X08080	1	M5x20mm
17	SCREW, PAN HEAD	X08081	1	M5x21mm
18	CIRCUIT BREAKER	X08082	1	
19	CAPACITOR, MOTOR	X08083	1	
20	BRACKET, CAPACITOR MOUNTING	X08084	1	
21	NUT, HEX	X08155	4	M3
22	SCREW, ROUND HEAD	X08156	1	M3x24mm
23	BRACKET, MICROSWITCH MTG (W/HDWR)	X08157	1	
24	MICROSWITCH, BOWL LIFT	X08158	1	
25	SCREW, ROUND HEAD	X08159	2	M3
26	BOWL CRADLE	X08086	1	
27	SCREW, PAN HEAD	X08087	2	M4x4mm
28	CLIP	X08088	1	
29	BOWL CLAMP ASSEMBLY (SET/2)	X08089-93	2	
30	SCREW, HEX HEAD & NUTS	X08085	2	M5x45mm
31	BOWL CLAMP	X08089	2	
32	KNOB, PLASTIC	X08090	2	
33	SPRING	X08091	2	
34	WASHER, FLAT	X08092	2	M5
35	NUT, HEX	X08093	2	M5
36	BOWL LIFT BRACKET ASSEMBLY	X08094-95		
37	SCREW, PAN HEAD	-	2	M5x10mm
38	BRACKET, BOWL LIFT	-	1	
39	BOWL LOCK PIN ASSEMBLY	X08096-98	1	
40	PIN, BOWL LOCK	X08096	2	
41	WASHER, SPLIT LOCK	X08097	2	M8
42	NUT, STOP	X08098	2	M8
43	MIXER BASE	X08099	1	
44	MIXER FEET (SET/4)	X08100	1	
45	WASHER, FLAT	X08101	4	M8x16mm
46	WASHER, SPLIT LOCK	X08102	4	M8
47	SCREW, HEX HEAD	X08103	4	M8 x 16mm
48	LABEL, HAZARDOUS VOLTAGE (NOT SHOWN)	X91014	1	

SP8-RL HEAD COMPONENTS

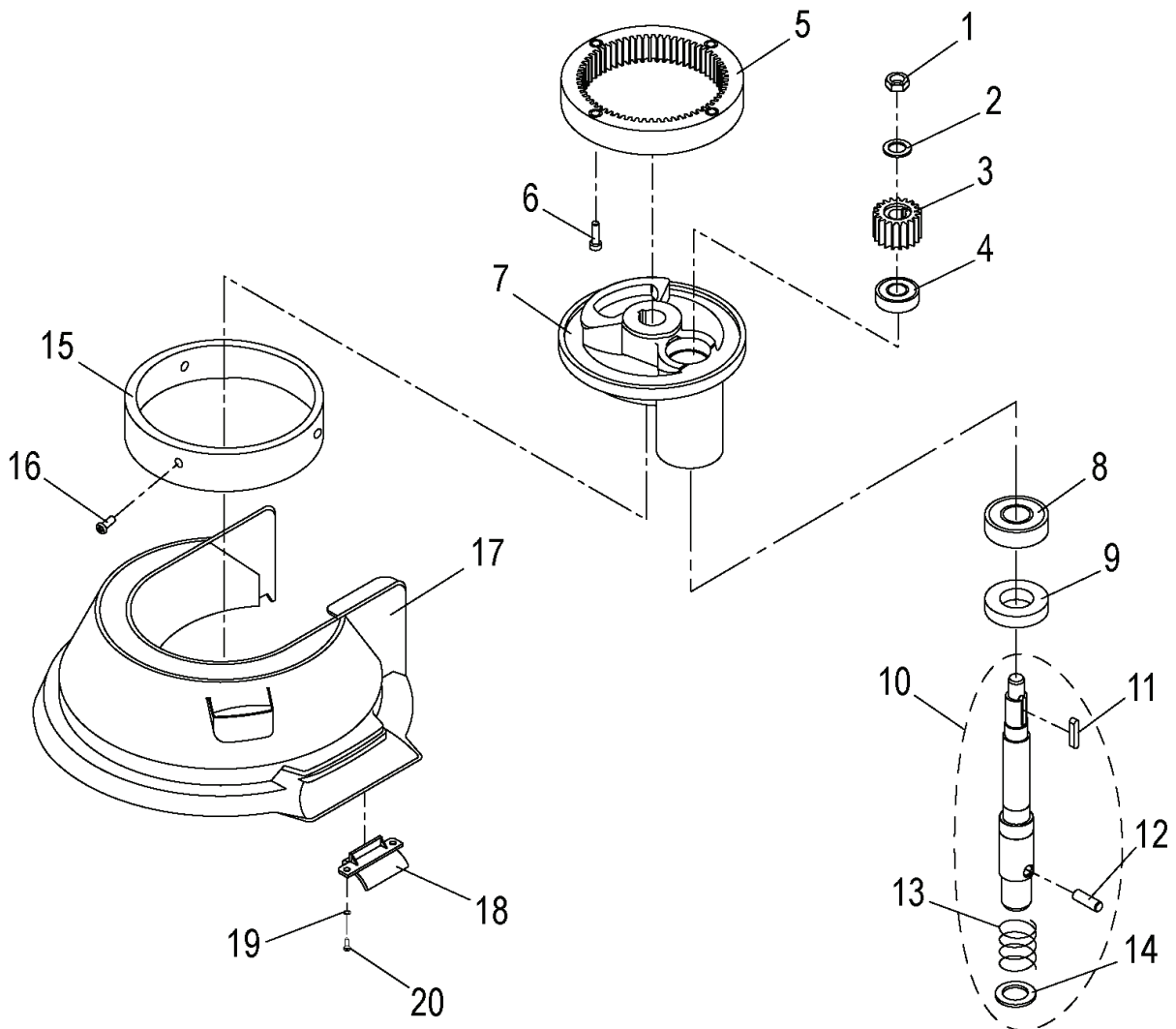


SP8-RL HEAD PARTS LIST

ITEM	DESCRIPTION	PART NUMBER	QTY	HARDWARE
1	COVER, TRANSMISSION	X08003	1	
2	SCREW, FLAT HEAD	X08002	1	M4x30mm
3	SCREW, FLAT HEAD	X08001	2	M5x20mm
4	PANEL, DIGITAL CONTROL	X08C-36	1	
5	SCREW, ROUND HEAD	X08005	4	M3x6mm
6	EMERGENCY STOP BUTTON	X08006	1	
7	COVER, TRANSMISSION CASE	X08148	1	
8	WASHER, SPLIT LOCK	X08008	4	M6
9	SCREW, HEX HEAD	X08007	4	M6x16mm
10	GASKET	X08148-1	1	
11	CIRCUIT BOARD, DIGITAL CONTROL (INCLUDES X08160-2)	X08160-RL	1	
	CIRCUIT BOARD, DIGITAL SWITCH	X08160-2	1	
12	SCREW, ROUND HEAD & WASHER - SS	X08161-162	4	M3x10mm
13	MOTOR ASSEMBLY	X08056-57-1	1	
14	MOTOR SHAFT AND CORE	-	1	
15	MOTOR COIL	-	1	
16	BALL BEARING	X08055	1	
17	OIL SEAL	X08054	1	
18	WORM 60Hz	X08053	1	
	WORM 50Hz	X08053-1	1	
19	NUT, HEX	X08051	4	M10
20	ROLL PIN	X08052	1	Ø3x10mm
21	REAR COVER ASSEMBLY	X08058-64	1	
22	COVER, REAR MOTOR	X08062	1	
23	ROLL PIN	-	1	Ø6x12mm
24	SHROUD	X08062-1	1	
25	SCREW, PAN HEAD	-	3	M3x6mm
26	BALL BEARING	X08059	1	
*27	SCREEN, MOTOR COOLING	X08060	1	
*28	SCREW, PAN HEAD	X08061	2	M4x6mm
29	WASHER, SPLIT LOCK	X08064	4	M5
30	SCREW, HEX HEAD & WASHER	X08063	4	M5x50mm
31	CASE, TRANSMISSION	X08010	1	
32	PIN, LOCATOR	X08009	2	
33	LABEL, ARROW	X91012	1	
34	LABEL, STOP TO CHG GEAR	X91010	1	
35	LABEL, WARNING	X91007	1	
36	GASKET, GEAR ARM	X08040	1	
37	PLATE, GEAR ARM	X08045-1	1	
39	SCREW, FLAT HEAD	X08050	4	M4x10mm

*PART CONFIGURATION MAY VARY.

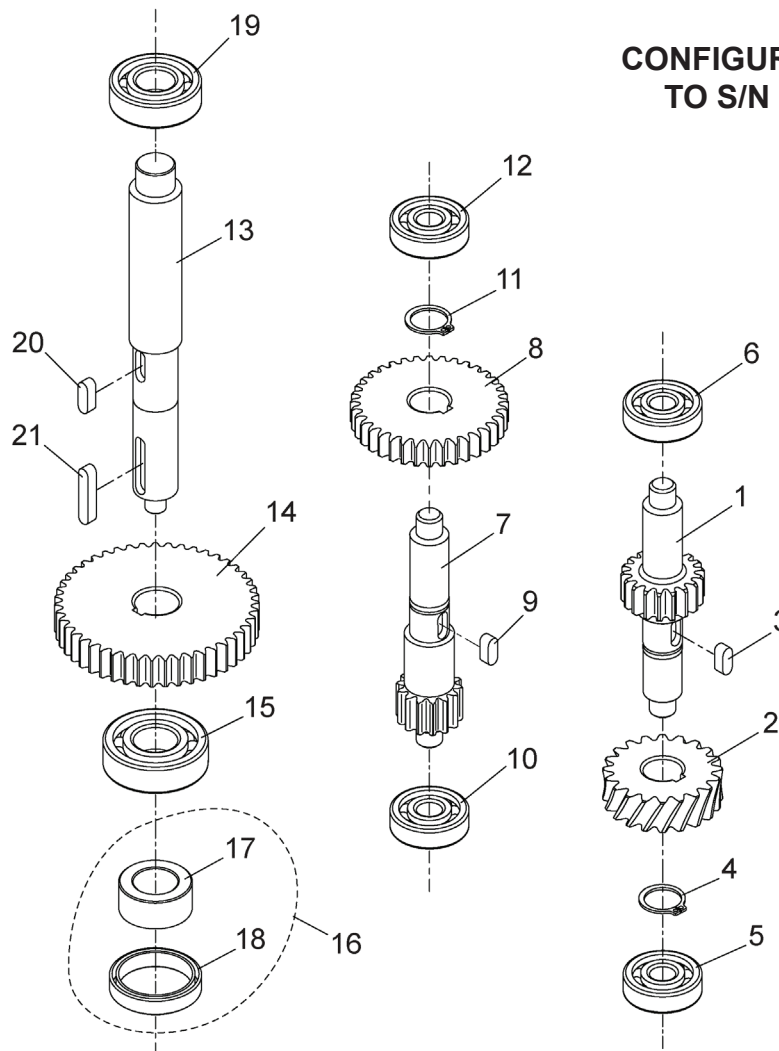
SP8-RL PLANETARY COMPONENTS



ITEM	DESCRIPTION	PART NUMBER	QTY	HARDWARE
1	NUT, HEX - NYLON INSERT	X08015	1	M6
2	WASHER, FLAT	X08016	1	M6x16x1mm
3	PINION BEATER (17T)	X08017	1	
4	BALL BEARING	X08018	1	
5	PLANETARY GEAR (56T)	X08019	1	
6	CAP SCREW, SOCKET HEAD	X08034	4	M6x13mm
7	PLANETARY HOLDER	X08020	1	
8	BALL BEARING	X08022	1	
9	OIL SEAL	X08023	1	35X17X7mm
10	PLANETARY SHAFT ASSEMBLY	X08024	1	
11	SHAFT KEY	X08036	1	4x8x8mm
12	DOWEL PIN	X08037	1	
13	SPRING	X08038	1	
14	WASHER, FLAT	X08039	1	13.1x1mm
15	COVER, PLANETARY HOLDER	X08021	1	
16	SCREW, BINDER HEAD	X08035	3	M2.6x4mm
17	SAFETY GUARD, WIRE	X08154-1	1	
	SAFETY GUARD, PLASTIC (W/CLIPS)	X08154-2		
18	CLIP	X08149	2	
19	WASHER, FLAT	X08150	4	M4
20	SCREW, SELF TAPPING TRUSS HEAD - CLIP MTG	X08151	4	M4x8mm

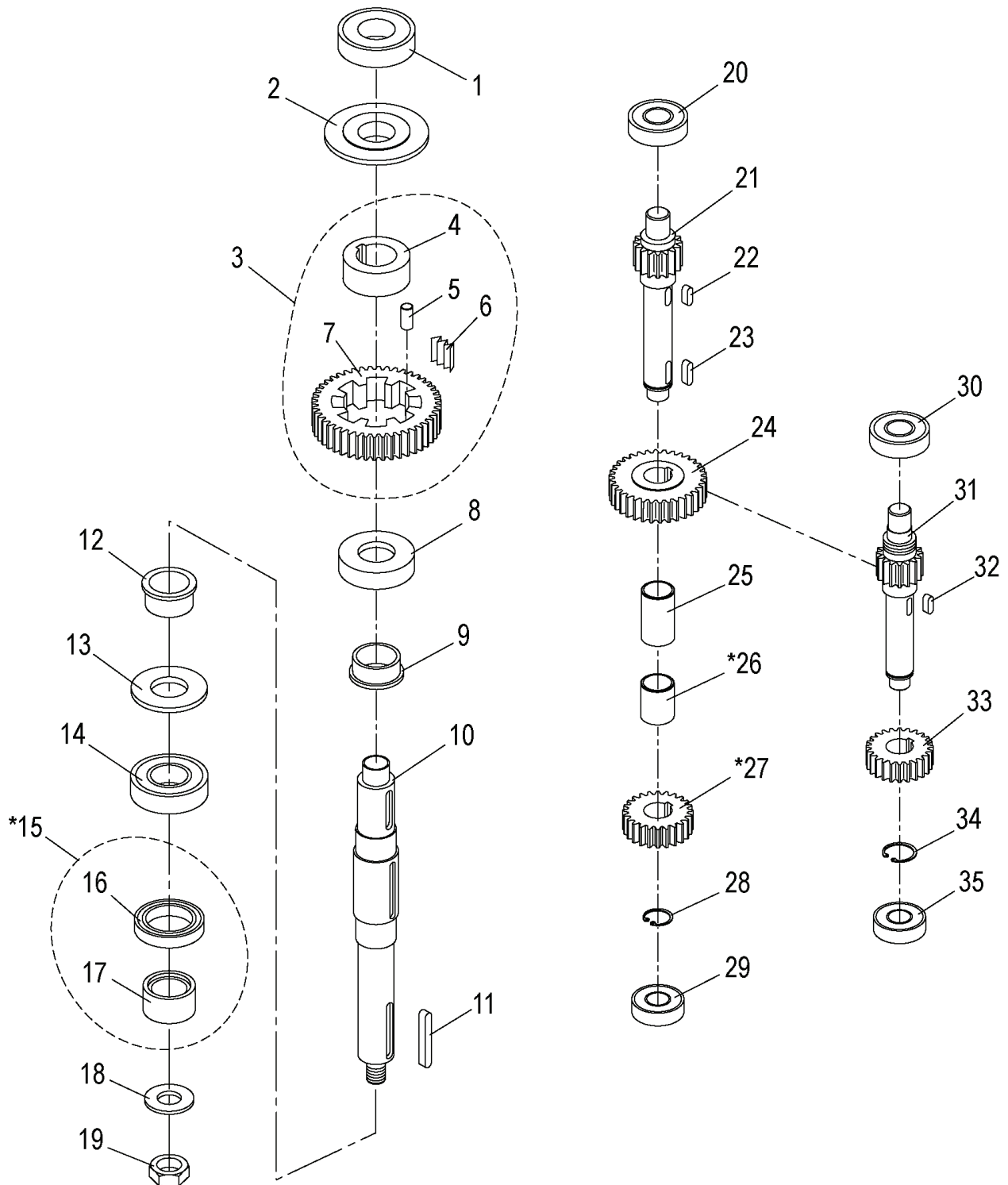
SP8-RL GEARBOX COMPONENTS

CONFIGURATION APPLIES
TO S/N 7014279 AND UP



ITEM	DESCRIPTION	PART NUMBER	QTY	HARDWARE
1	MASTER SHAFT (18T)	X08143-1	1	
2	WORM GEAR, BRONZE 60Hz (20T)	X08145	1	
	WORM GEAR, BRONZE 50Hz (22T)	X08145-1		
3	SHAFT KEY	X08130	1	5x5x12
4	RETAINING RING	X08135	1	S-15
5	BALL BEARING	X5C31	1	6200
6	BALL BEARING	X08201	1	6200ZZ
7	TRANSMISSION SHAFT (14T)	X08129-3	1	
8	GEAR, THIRD SPEED (36T)	X08132	1	
9	SHAFT KEY	X08130	1	5x5x12
10	BALL BEARING	X5C31	1	6200
11	RETAINING RING	X08135	1	S-15
12	BALL BEARING	X08201	1	6200ZZ
13	DRIVE SHAFT	X08124-1	1	
14	GEAR, FIRST SPEED (47T)	X08107-3	1	
15	BALL BEARING	X08202	1	6203LLU
16	BUSHING & SEAL SET	X08116-1	1	
17	OIL BUSHING	-	1	
18	OIL SEAL	-	1	
19	BALL BEARING	X08203	1	6202ZZ
20	SHAFT KEY	X08144	1	5x5x14mm
21	SHAFT KEY	X08127	1	5x5x26mm

SP8-RL GEARBOX COMPONENTS



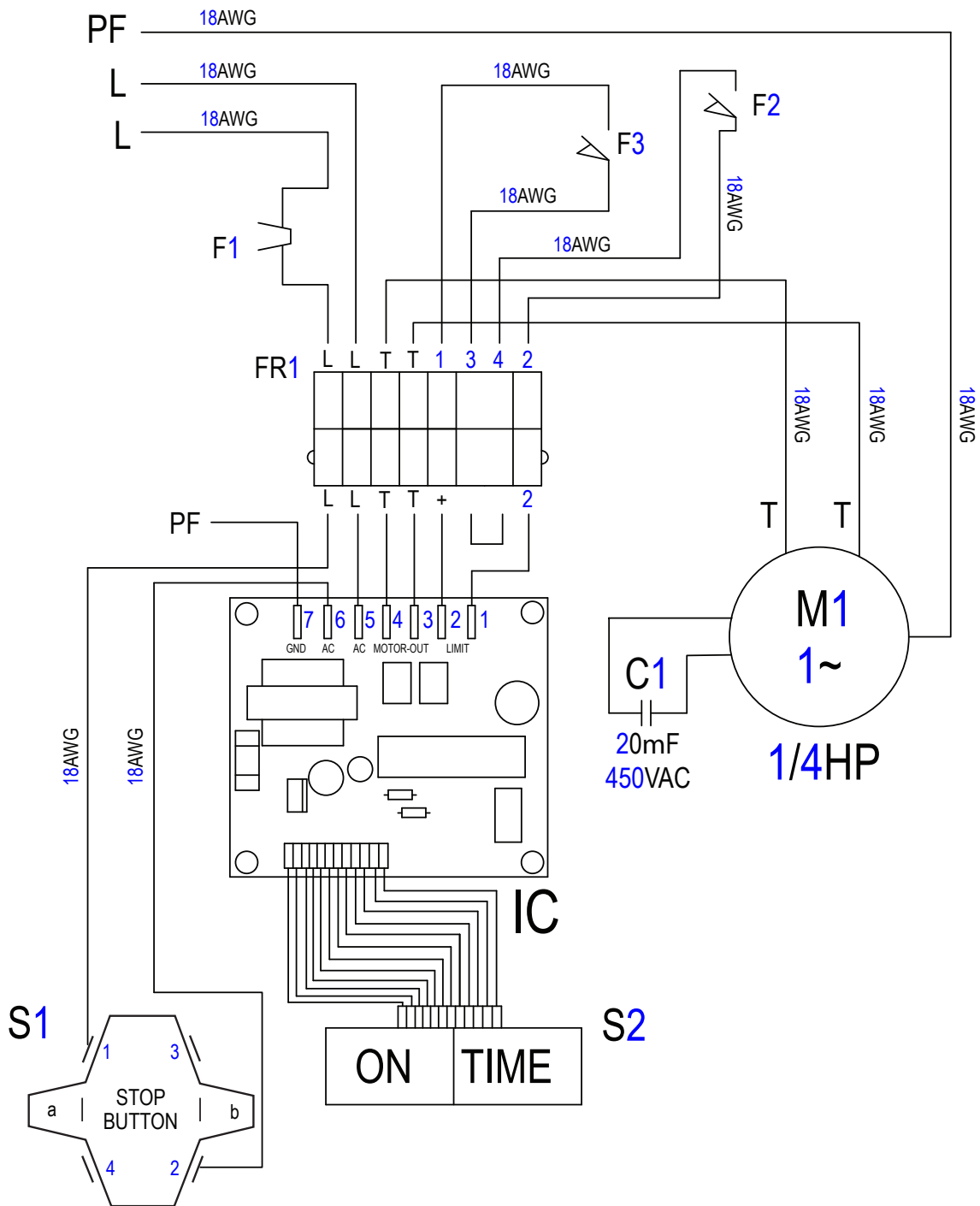
**CONFIGURATION APPLIES
TO S/N 7013893 - 7013927
AND S/N 7014061 - 7014071**

SP8-RL GEARBOX PARTS LIST

ITEM	DESCRIPTION	PART NUMBER	QTY	HARDWARE
1	BALL BEARING	X08104	1	
2	LEAD-IN OIL PAD	X08105	1	
3	SLOW SPEED GEAR ASSEMBLY	X08106-107-2	1	
4	BUSHING	X08106	1	
5	ROLLER PIN	-	1	
6	SPRING, SLICE	-	1	
7	GEAR, FIRST SPEED (47T)	X08107-2	1	
8	BUSHING	X08108	1	
9	BUSHING, THIRD SPEED	X08110	1	
10	DRIVE SHAFT	X08124	1	
11	SHAFT KEY	X08127	1	5x5x26mm
12	BUSHING, SECOND SPEED	X08111	1	
13	BEARING PAD	X08113	1	
14	BALL BEARING	X08114	1	
15	BUSHING & SEAL SET	X08116-1	1	
16	OIL SEAL	-	1	
17	OIL BUSHING	-	1	
18	WASHER, FLAT - SS	X08119	1	M8x22x1mm
19	NUT, HEX - NYLON INSERT	X08120	1	M8
20	BALL BEARING	X08128	1	
21	TRANSMISSION SHAFT (14T)	X08129-2	1	
22	SHAFT KEY	X08130	1	5x5x12mm
23	SHAFT KEY	X08131	1	5x5x14mm
24	GEAR, THIRD SPEED (36T)	X08132	1	
25	BUSHING, BRONZE, 47mm	X08133-1	1	
*26	BUSHING, BRONZE, 32mm	X08133	1	
*27	GEAR, SECOND SPEED (27T)	X08134	1	
28	RETAINING RING	X08135	1	S-15
29	BALL BEARING	X08128	1	
30	BALL BEARING	X08128	1	
31	MASTER SHAFT (18T)	X08143	1	
32	SHAFT KEY	X08144	1	5x5x14mm
33	WORM GEAR, BRONZE 60Hz (20T)	X08145	1	
	WORM GEAR, BRONZE 50Hz (22T)	X08145-1		
34	RETAINING RING	X08135	1	S-15
35	BALL BEARING	X08128	1	

*26/27 CONFIGURATION ONLY USED ON S/Ns 7014067-7014071.

ELECTRICAL DIAGRAM, SP8-RL MIXER, 120V, 1 PH



ITEM	DESCRIPTION	QTY
C1	CAPACITOR	1
F1	OVERLOAD PROTECTION	1
F2	MICROSWITCH (SAFETY GUARD)	1
F3	MICROSWITCH (BOWL LIFT)	1
FR1	TERMINAL BLOCK	1
IC	IC BOARD	1
S1	EMERGENCY STOP BUTTON	1
S2	START BUTTON, TIMER IC CONTROL	1
M1	MOTOR, 1/4HP, 1PH, 120V/220V, 50/60Hz	1

