

# Parts Catalog



**SP8**

## Mixer

**Model: SP8**

12/13/17 Rev L

IMPORTANT!

TO EXPEDITE SHIPMENT OF PARTS, ALWAYS SPECIFY MODEL, REV,  
PART NUMBER, AND SERIAL NUMBER OF UNIT.

## **GLOBE FOOD EQUIPMENT COMPANY**

2215 East River Road

Dayton, Ohio 45439

### **Parts Department**

Toll Free 1-800-745-6238 · Fax (937) 290-0585

E-Mail: [info@globefoodequip.com](mailto:info@globefoodequip.com)

Website: [www.globefoodequip.com](http://www.globefoodequip.com)

Not for resale

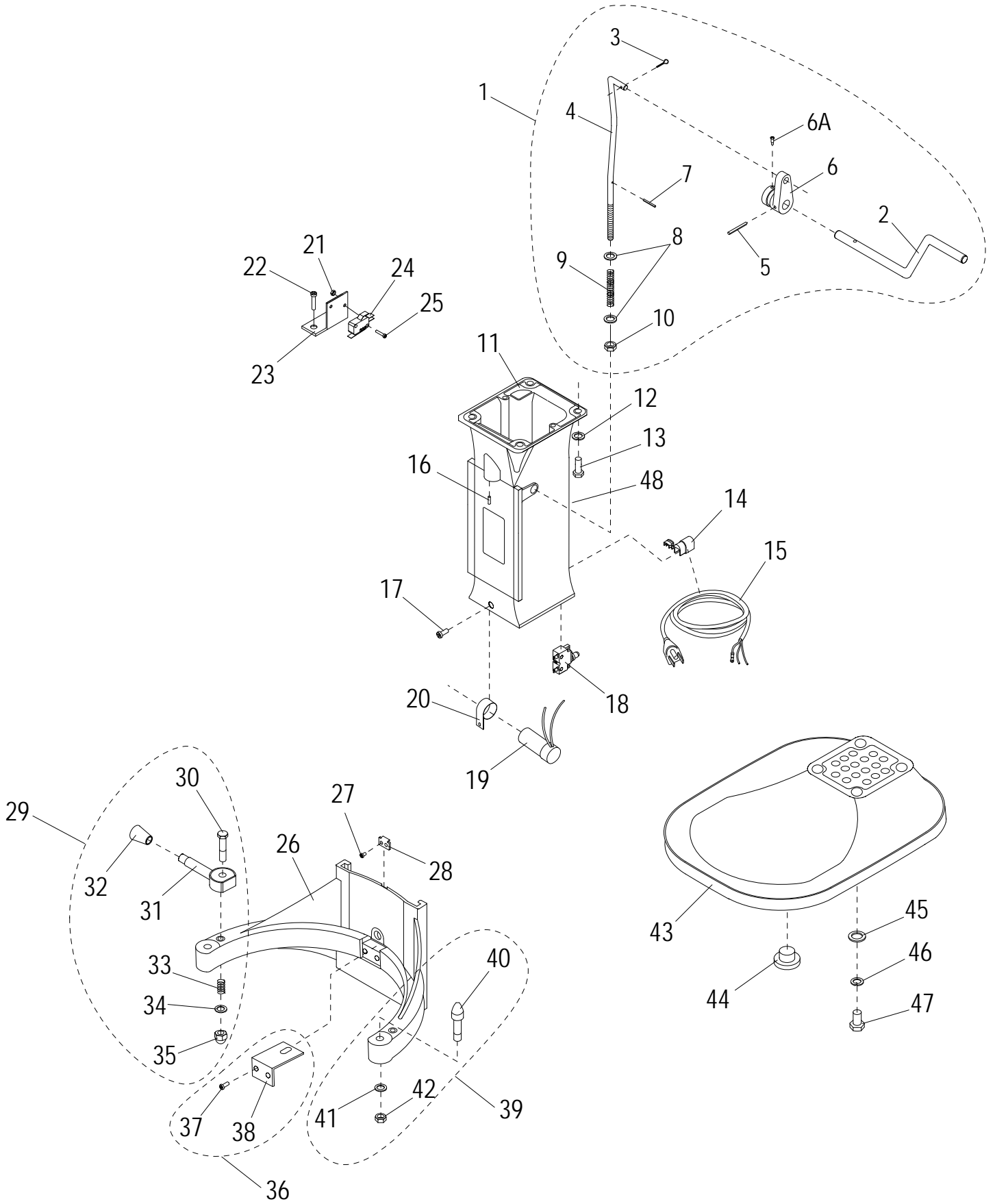


# Table of Contents

Description	Page
SP8 Base Components	4
SP8 Head Components	6
SP8 Gearbox Components	10
SP8 Planetary Components	12
SP8 Electrical Diagram	14



# SP8 Base Components





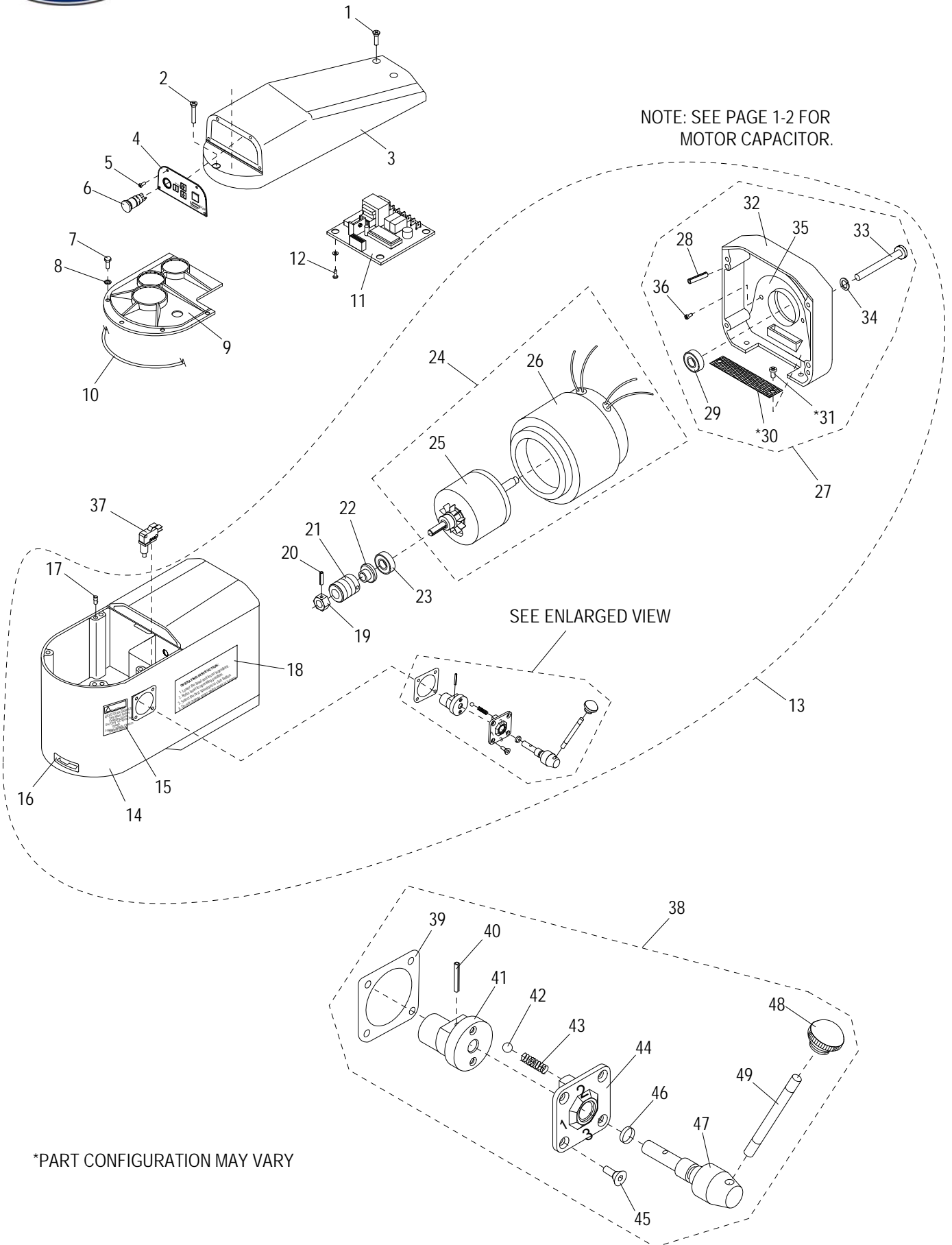
## SP8 Base Components

Item	Part Number	Description	Qty	Serial Number
1	X08065-74	Bowl Lift Handle Assembly	1	
2		Handle, Bowl Lift	1	
3	X08066	Cotter Pin	1	
4		Rod, Bowl Lift	1	
5		Roll Pin Ø5x24mm	1	
6A	X08069A	Shoulder Screw	1	
6		Connector, Bowl Lift	1	
7	X08070	Roll Pin Ø3x18mm	1	
8	X08071	Washer M8x16x1.5mm Flat	2	
9	X08072	Spring M5	1	
10	X08074	Nut M8 Hex	1	
11	X08075	Mixer Column	1	
12	X08076	Washer M8 Flat	4	
13	X08077	Screw M8x25mm Hex Hd	4	
14	X08078	Strain Relief, 90 Degree	1	
15	X08079	Cord And Plug	1	
16	X08080	Set Screw M5x20mm Socket Hd - Cup Point	1	
17	X08081	Screw M5x21mm Pan Hd	1	
18	X08082	Circuit Breaker	1	
19	X08083	Capacitor, Motor	1	
20	X08084	Bracket, Capacitor Mounting	1	
21	X08155	Nut M3 Hex	4	
22	X08156	Screw M3x24mm Round Hd	1	
23	X08157	Bracket, Microswitch Mtg (W/Hdwr)	1	
24	X08158	Microswitch, Bowl Lift	1	
25	X08159	Screw M3 Round Hd	2	
26	X08086	Bowl Cradle	1	
27	X08087	Screw M4x4mm Pan Hd	2	
28	X08088	Clip	1	
29	X08089-93	Bowl Clamp Assembly (Set/2)	1	
30	X08085	Screw M5x45mm Hex Hd & Nuts	2	
31		Bowl Clamp	2	
32	X08090	Knob, Plastic	2	
33		Spring	2	
34		Washer M5 Flat	2	
35		Nut M5 Hex	2	
36	X08094-95	Bowl Lift Bracket Assembly	1	
37	X08094	Screw M5x10mm Pan Hd	2	
38	X08095	Bracket, Bowl Lift	1	
39	X08096-98	Bowl Lock Pin Assembly (Set 2)	1	
40		Pin, Bowl Lock	2	
41		Washer M8 Split Lock	2	
42		Nut M8 Stop	2	
43	X08099	Mixer Base	1	
44	X08100	Mixer Feet (Set/4)	1	
45	X08101	Washer M8x16mm Flat	4	
46	X08102	Washer M8 Split Lock	4	
47	X08103	Screw M8 x 16mm Hex Hd	4	
48	X91014	Label, Hazardous Voltage	1	



# SP8 Head Components

NOTE: SEE PAGE 1-2 FOR  
MOTOR CAPACITOR.



\*PART CONFIGURATION MAY VARY



## SP8 Head Components

Item	Part Number	Description	Qty	Serial Number
1	X08001	Screw M5x20mm Flat Head	2	
2	X08002	Screw M4x30mm Flat Head	1	
3	X08003	Cover, Transmission	1	
4	X08004	Panel, Digital Control	1	
5	X08005	Screw M3x6mm Round Head	4	
6	X08006	Emergency Stop Button	1	
7	X08007	Screw M6x16mm Hex Head	4	
8	X08008	Washer M6 Split Lock	4	
9	X08148	Cover, Transmission Case	1	7010674 ->
9		Cover, Transmission Case	1	->7010675
10	X08148-1	Gasket	1	
11	X08160	Circuit Board, Digital Control (Incls. X08160-1)	1	
11	X08160-1	Circuit Board, Digital Switch	1	
12	X08161-162	Screw M3x10mm Round Head & Washer - SS	4	
13	X01760	Transmission Case & Motor	1	
14	X01760	Transmission Case & Motor	1	
15	X91010	Label, Stop To Chg Gears	1	
16	X91012	Label, Arrow	1	
17	X08009	Pin, Locator	2	
18	X91007	Label, Warning	1	
19	X08051	Nut M10 Hex	4	
20	X08052	Roll Pin Ø3x10mm	1	
21	X08053	Worm 60Hz	1	
21	X08053-1	Worm 50Hz	1	
22	X08054	Oil Seal	1	
23	X08055	Ball Bearing	1	
24	X01760	Transmission Case & Motor	1	7010674 ->
24	X08056-57	Motor Assembly	1	->7010675
25		Motor Shaft And Core	1	
26		Motor Coil	1	
27	X08058-64	Rear Cover Assembly	1	7010674 ->
27		Rear Cover Assembly	1	->7010675
28		Roll Pin Ø6x12mm	1	
29	X08055	Ball Bearing	1	
30		Screen, Motor Cooling	1	Part Configuration May Vary
31		Screw M4x6mm Pan Hd	2	Part Configuration May Vary
32		Cover, Rear Motor	1	
33	X08063	Screw M5x50mm Hex Head & Washer	4	
34		Washer M5 Split Lock	4	
35		Shroud	1	
36		Roll Pin Ø3x18mm	3	
37	X08152	Microswitch	1	
38	X08040-50	Gear Arm Assembly	1	
39	X08040	Gasket, Gear Arm	1	
40		Roll Pin Ø3x18mm	1	
41		Shaft Bias	1	
42		Roller	2	
43		Spring	2	
44		Plate, Gear Arm	1	
45	X08050	Screw, Flat Head	4	
46		O-Ring	1	
47		Shaft, Gear Arm	1	
48	X08046	Knob, Black Plastic	1	



## SP8 Head Components

---

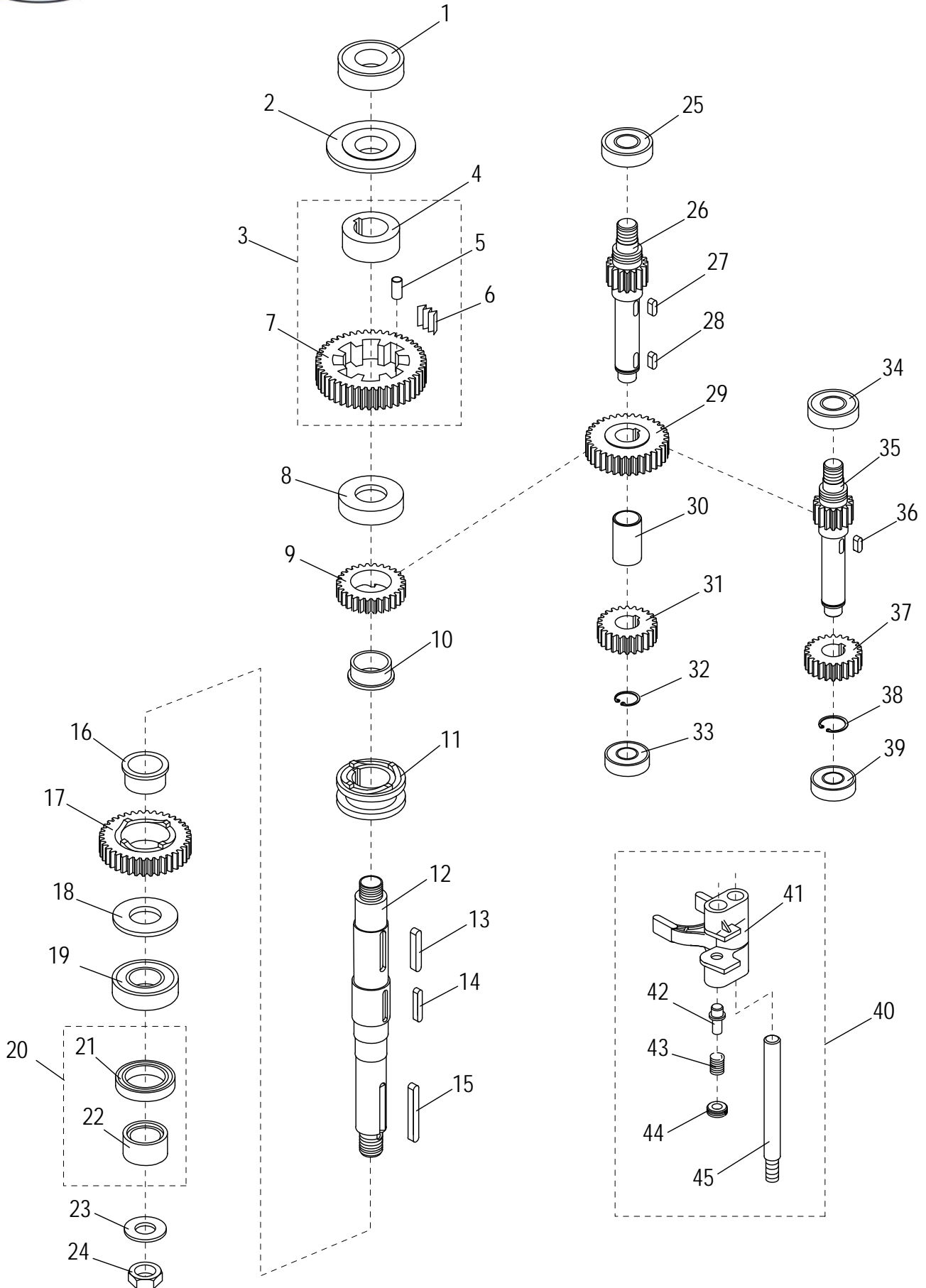
Item	Part Number	Description	Qty	Serial Number
49		Gear Arm	1	



*INTENTIONALLY LEFT BLANK PAGE*



# SP8 Gearbox Components



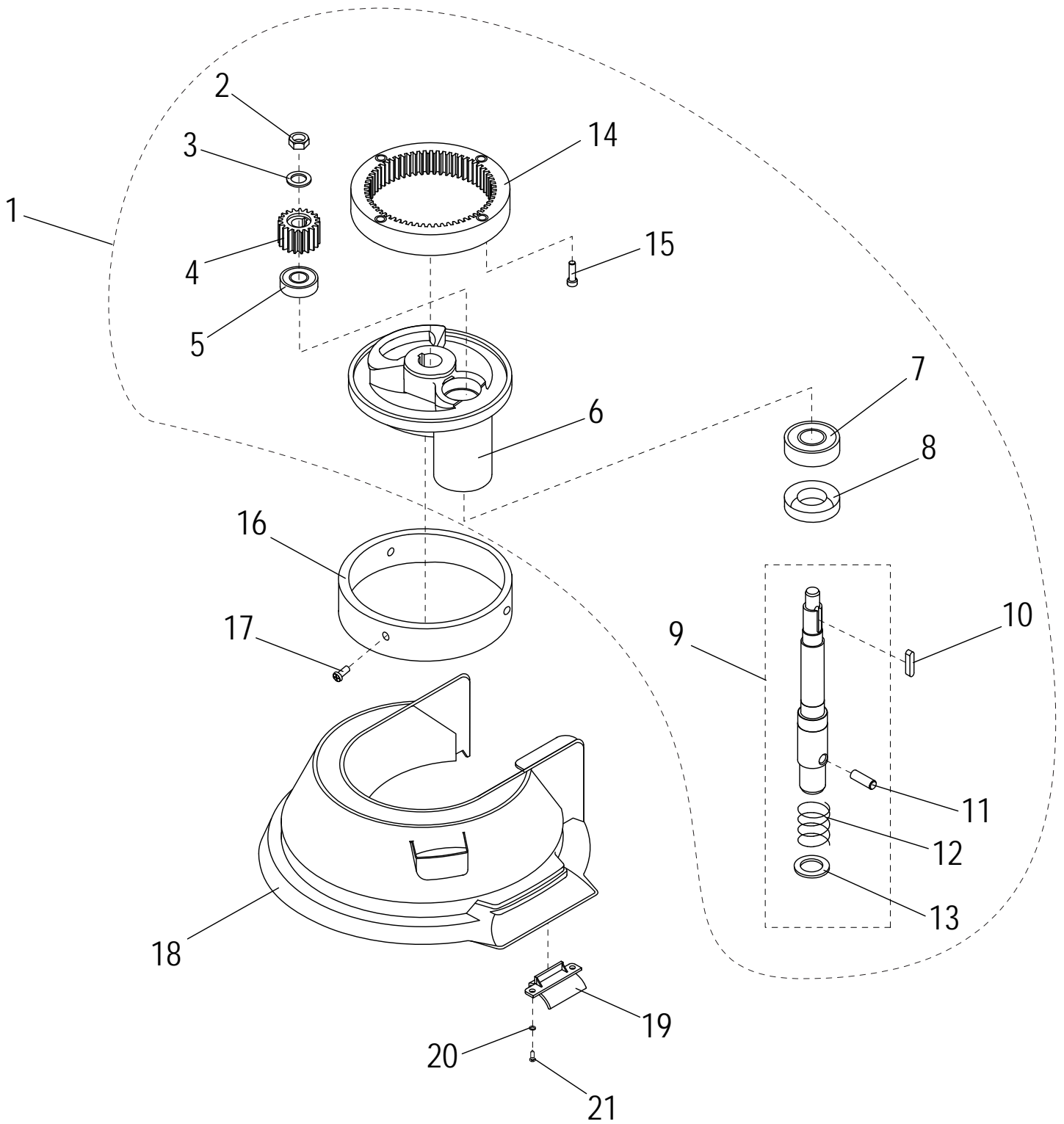


## SP8 Gearbox Components

Item	Part Number	Description	Qty	Serial Number
1	X08104	Ball Bearing	1	
2	X08105	Lead-In Oil Pad	1	
3	X08106-107	Slow Speed Gear Assembly	1	
4	X08106	Bushing	1	
5		Roller Pin	1	
6		Spring, Slice	1	
7	X08107	Gear, First Speed (42T)	1	
8	X08108	Bushing	1	
9	X08109	Gear, Clutch (25T)	1	
10	X08110	Bushing, Third Speed	1	
11	X08123	Clutch Sleeve	1	
12	X08124	Drive Shaft	1	
13	X08125	Shaft Key 5x5x18mm	1	
14	X08126	Shaft Key 4x4x28mm	1	
15	X08127	Shaft Key 5x5x26mm	1	
16	X08111	Bushing, Second Speed	1	
17	X08112	Gear, Second Speed (34T)	1	
18	X08113	Bearing Pad	1	
19	X08114	Ball Bearing	1	
20	X08116-1	Bushing & Seal Set	1	Replaces O-Ring Config.
21		Oil Seal	1	
22		Oil Bushing	1	
23	X08119	Washer M8x22x1mm Flat - SS	1	
24	X08120	Nut M8 Hex - Nylon Insert	1	
25	X08128	Ball Bearing	1	
26	X08129	Transmission Shaft (19T)	1	
27	X08130	Shaft Key 5x5x12mm	1	
28	X08131	Shaft Key 5x5x14mm	1	
29	X08132	Gear, Third Speed (36T)	1	
30	X08133	Bushing, Bronze	1	
31	X08134	Gear, Second Speed (27T)	1	
32	X08135	Retaining Ring S-15	1	
33	X08128	Ball Bearing	1	
34	X08128	Ball Bearing	1	
35	X08143	Master Shaft (18T)	1	
36	X08144	Shaft Key 5x5x14mm	1	
37	X08145	Worm Gear, Bronze 60Hz (20T)	1	
37	X08145-1	Worm Gear, Bronze 50Hz (22T)	1	
38	X08135	Retaining Ring S-15	1	
39	X08128	Ball Bearing	1	
40	X08137-141	Shifter Yoke Assembly	1	
41		Shifter Yoke	1	
42		Shifter Yoke Plunger	2	
43		Shifter Yoke Spring	2	
44		Nut M3	2	
45		Shifter Guide Rod	1	



# SP8 Planetary Components





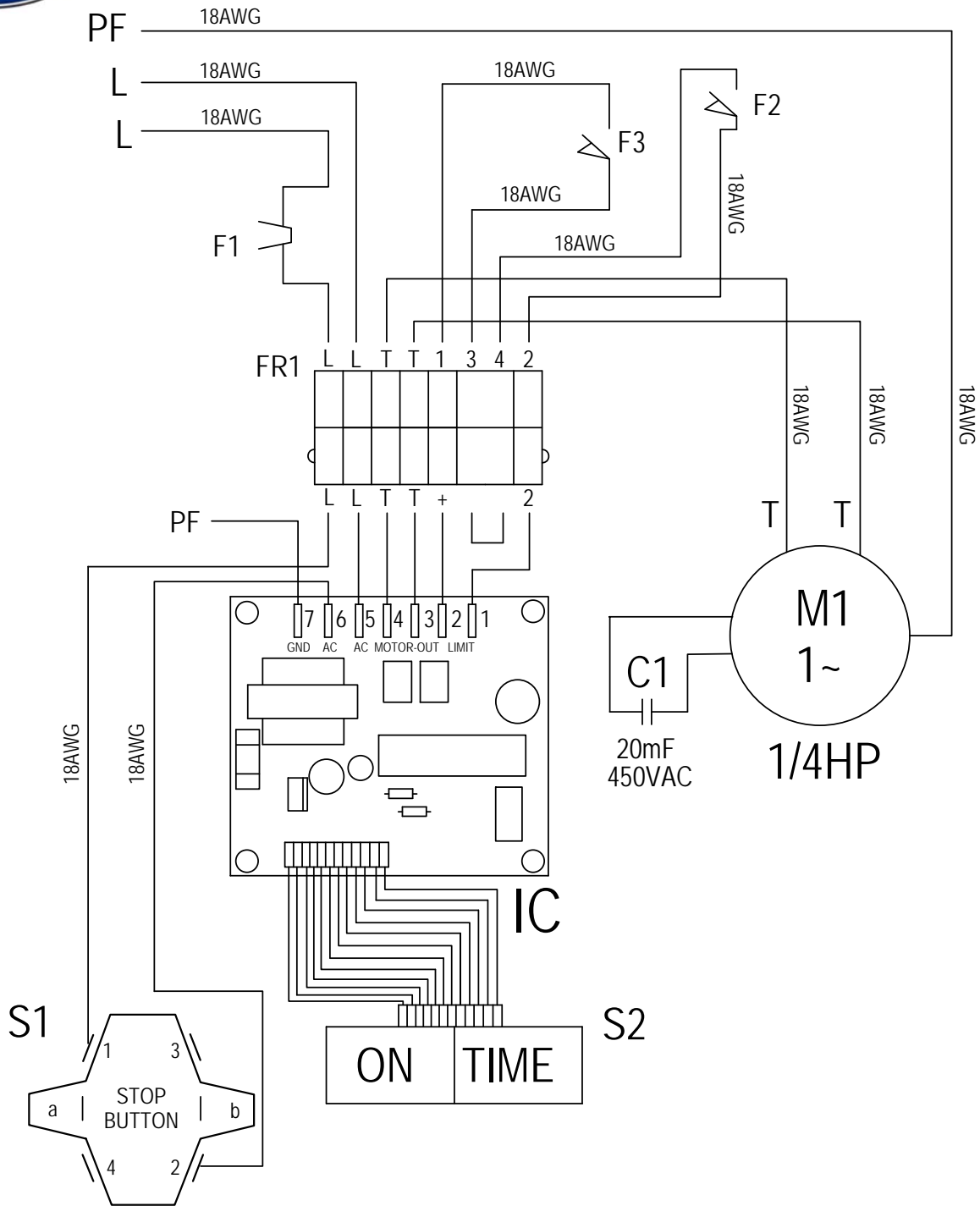
## SP8 Planetary Components

---

Item	Part Number	Description	Qty	Serial Number
1	X01873	Planetary Assembly	1	
2	X08015	Nut M6 Hex - Nylon Insert	1	
3	X08016	Washer M6x16x1mm Flat	1	
4	X08017	Pinion Beater (17T)	1	
5	X08018	Ball Bearing	1	
6	X08020	Planetary Holder	1	
7	X08022	Ball Bearing	1	
8	X08023	Oil Seal 32X17X7mm	1	
9	X08024	Planetary Shaft Assembly	1	
10	X08036	Shaft Key 4x8x8mm	1	
11	X08037	Dowel Pin	1	
12	X08038	Spring	1	
13	X08039	Washer 13.1x1mm Flat	1	
14	X08019	Planetary Gear (56T)	1	
15	X08034	Cap Screw M6x13mm Socket Hd	4	
16	X08021	Cover, Planetary Holder	1	
17	X08035	Screw M2.6x4mm Binder Hd	3	
18	X08154-1	Splash Cover, Wire	1	
18	X08154-2	Splash Cover, Plastic	1	
19	X08149	Clip	2	
20	X08150	Washer M4 Flat	4	
21	X08151	Screw M4x8mm Self Tapping Truss Hd - Clip Mtg	4	



## SP8 Electrical Diagram



Item	Description	Qty
C1	Capacitor	1
F1	Overload Protection	1
F2	Microswitch (Safety Guard)	1
F3	Microswitch (Bowl Lift)	1
FR1	Terminal Block	1
IC	Ic Board	1
S1	Emergency Stop Button	1
S2	Start Button, Timer LC Control	1
M1	Motor, 1/4HP, 1PH, 120V/220V, 50/60HZ	1