

Parts Catalog



SPC25

Mixer

Model: SPC25

03/06/2017 Rev-
IMPORTANT!

TO EXPEDITE SHIPMENT OF PARTS, ALWAYS SPECIFY MODEL, REV,
PART NUMBER, AND SERIAL NUMBER OF UNIT.

GLOBE FOOD EQUIPMENT COMPANY

2215 East River Road
Dayton, Ohio 45439

Parts Department

Toll Free 1-800-745-6238 · Fax (937) 290-0585

E-Mail: info@globefoodequip.com

Website: www.globefoodequip.com

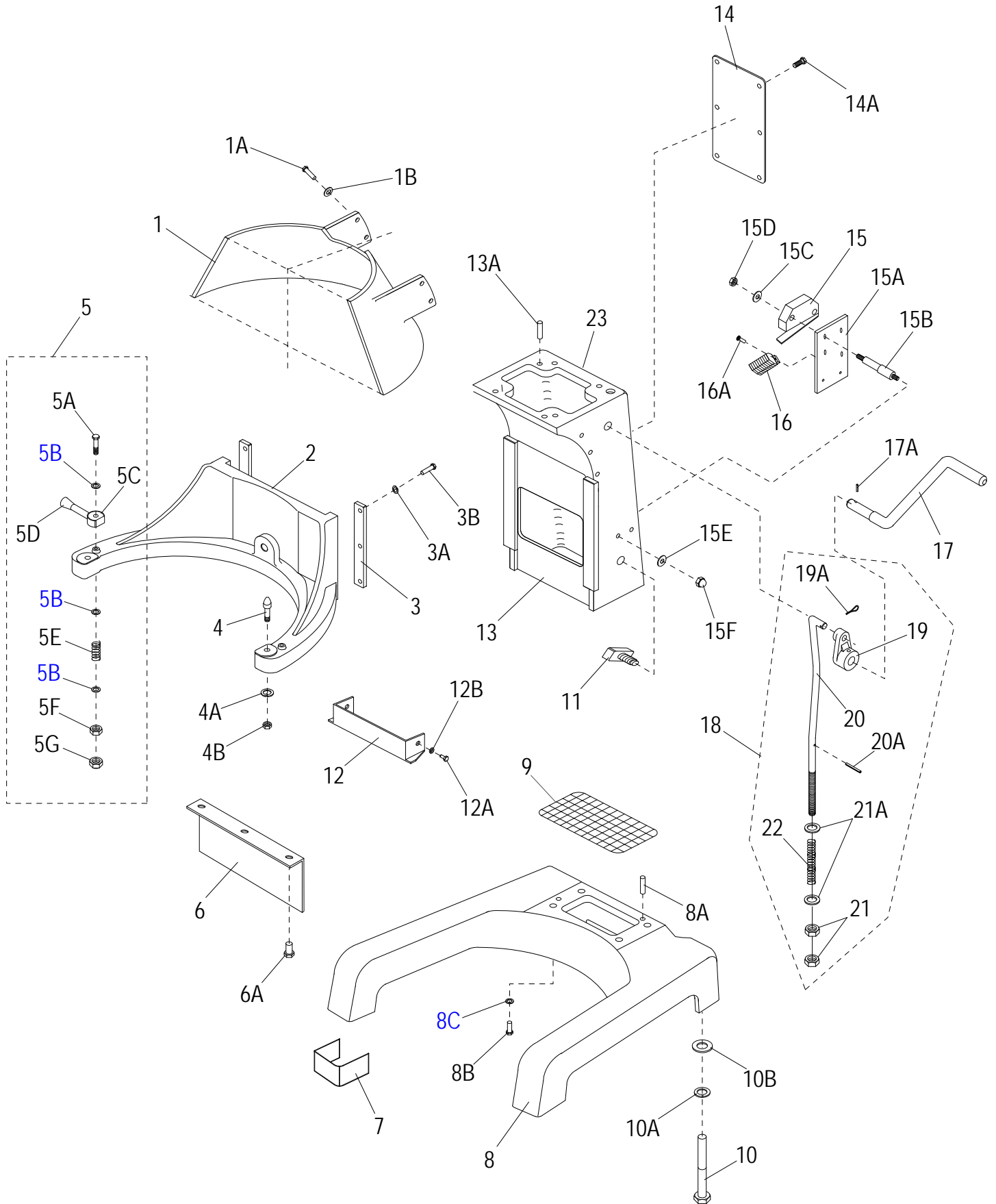
Not for resale

Table of Contents

Description	Page
SPC25 Base Components	4
SPC25 Head Components	8
SPC25 Hub Assembly Components	10
SPC25 Planetary Components	12
SPC25 Gearbox Components	14
SPC25 Motor Components	18
SPC25 Motor Brake Components	20
SPC25 Manual and Digital Timer	22
SPC25 Wiring Diagram - 120V Single Phase - Prior	24
SPC25 Wiring Diagram - 120V Single Phase - Digital Timer - Post	25



SPC25 Base Components





SPC25 Base Components

Item	Part Number	Description	Qty	Serial Number
1	X25036	Rear Guard	1	
1A	X25097	Screw M6x14mm Hex Hd	4	
1B		Washer M6 Flat	4	
2	X25034	Bowl Cradle	1	->7511134
2	X25034-DG	Bowl Cradle	1	7511135 ->
3	X25035	Cradle Slide Guide	2	
3A		Washer M6 Split Lock	6	
3B	X25098	Screw M6x14mm Hex Hd	6	
4	X25100	Dowel Pin, Threaded	2	
4A	X25100A	Washer M6 Split Lock	2	
4B	X25101	Nut M6 Hex	2	
5	X10020	Bowl Clamp Assembly (Set/2)	2	
5A		Clamp Screw M8x80mm	2	
5B		Washer M8 Flat	4	
5C	X10020-1	Bowl Clamp (Set/2)	1	
5D		Clamp Handle	2	
5E		Spring	2	
5F		Nut M8 Hex	2	
5G		Nut M8 Acorn	2	
6	X25149	Cover, Bowl Cradle	1	
6A	X25150	Screw M6x14mm Hex Hd	3	
7	X25157-158	Front/Rear Rubber Feet (Set/4)	1	
8	X25038-DG	Mixer Base	1	
8A		Dowel Ø8x16mm Pin	2	
8B		Screw M10x40mmHex Hd	4	
8C		Washer M10 Flat	4	
9	X25037	Screen Base	1	
10	X25039	Screw M10x50mm Hex Hd	4	
10A		Washer M10 Split Lock	4	
10B		Washer M10 Flat	4	
11	X20027-2	Circuit Breaker (New Style 13A)	1	
12	X25102	Cover, Center Column	1	
12A	X25103	Screw. Hex Head - SS	2	
12B		Washer M6 Flat	2	
13	X25044	Mixer Column M6x8mm	1	->7511134
13	X25044-DG	Mixer Column	1	7511135 ->
13A		Dowel Ø8x16mm Pin	2	
14	X25050	Plate Ø8x16mm Rear Cover	1	
14A	X25051	Screw M5x6mm Truss Hd	6	
15	X25047A	Microswitch, Bowl Interlock - SPC (Raise/Lower)	1	
15A	X25047-1	Bracket, Microswitch Mounting	1	
15B		Standoff	2	
15C		Washer, Flat	2	
15D		Nut M4 Hex	2	
15E		Washer M6 Flat	2	
15F		Nut M6 Acorn	2	
16		Connecting Block	1	
16A		Screw M3x10mm Round Hd	2	
17	X25049	Bowl Lift Lever	1	
17A	X25104	Dowel Pin Ø5x30mm	1	
18	X25049A	Bowl Lift Rod Assembly	1	
19	X25048	Cam, Bowl Lift	1	
19A		Cotter Pin	1	



SPC25 Base Components

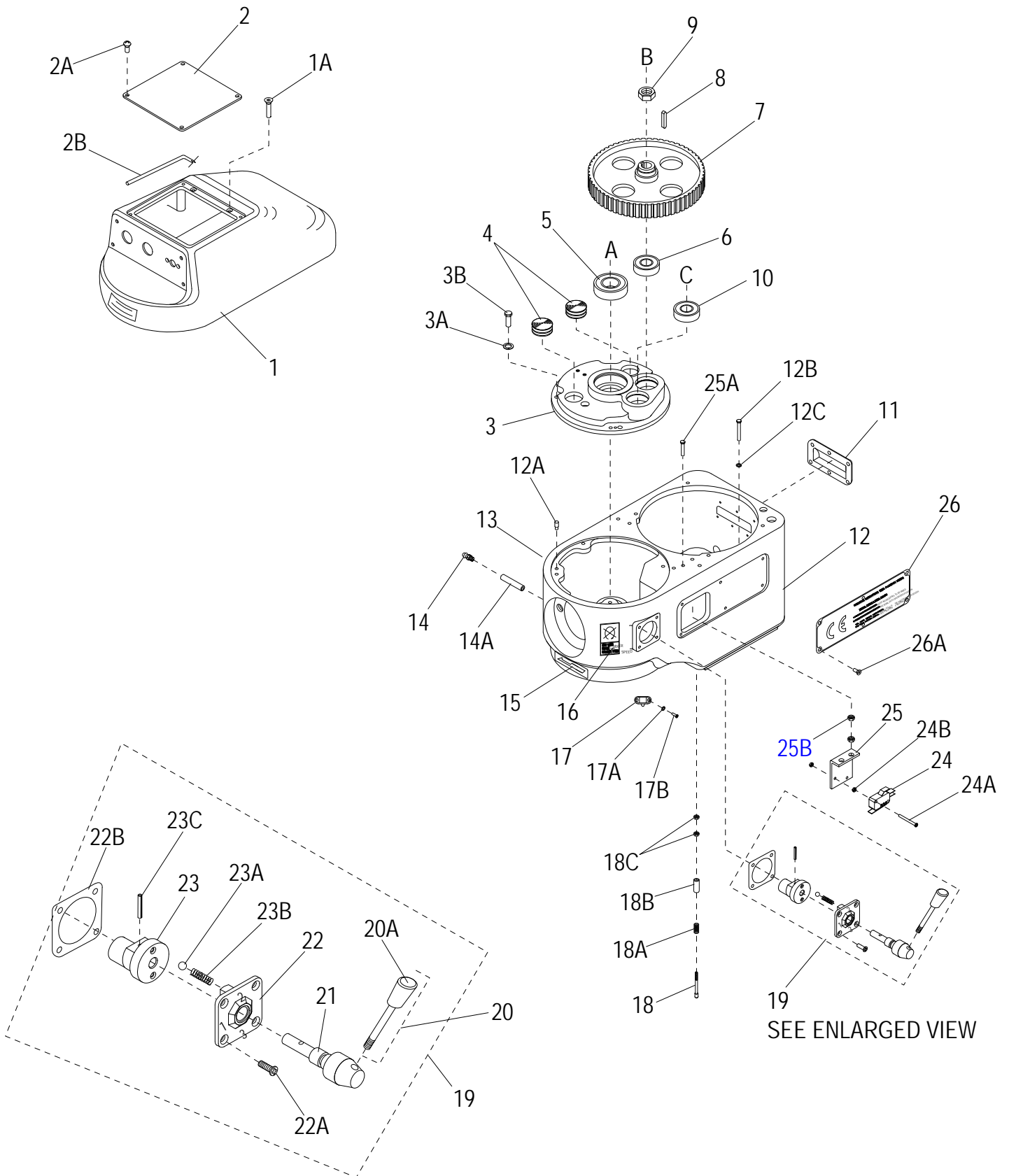
Item	Part Number	Description	Qty	Serial Number
20	X25046	Rod, Bowl Lift	1	
20A	X25045	Roll Pin Ø3x28mm	1	
21		Nut M10 Hex	2	
21A	X10034	Washer M10 Flat	2	
22	X25041	Spring	1	
23	X91014	Label, Hazardous Voltage (Not Shown)	1	



INTENTIONALLY LEFT BLANK PAGE



SPC25 Head Components



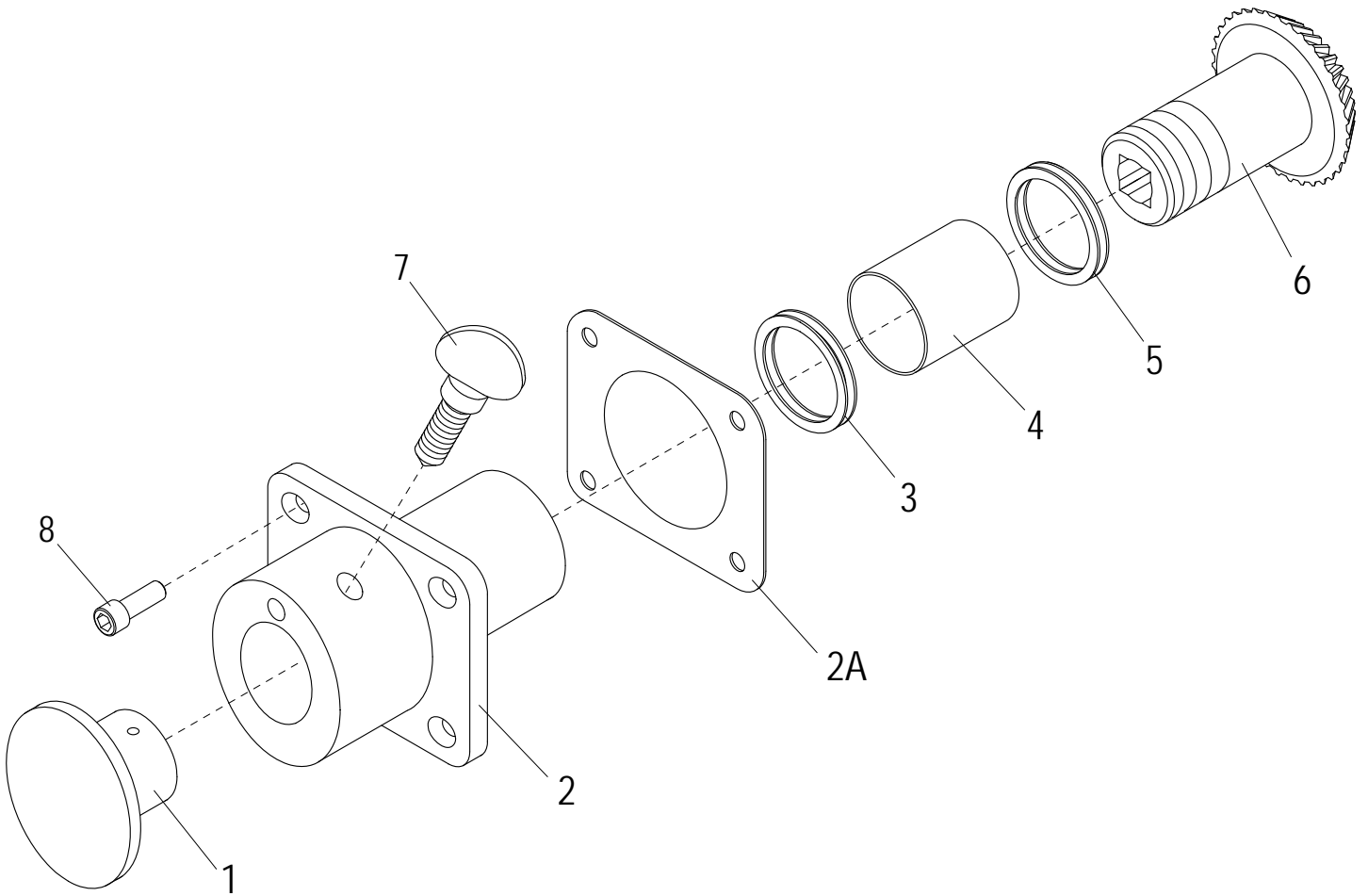


SPC25 Head Components

Item	Part Number	Description	Qty	Serial Number
1	X25004-DG	Cover, Transmission	1	
1A	X25190	Screw M6x80mm Flat Hd	2	
2	X25002	Cover, Switch Box	1	
2A	X25001	Screw M5x10mm Truss Hd	4	
2B	X25003	Gasket	1	
3	X25072	Cover, Gear Housing	1	
3A		Washer M6 Split Lock	4	
3B		Screw M6x16mm Hex Hd	4	
4	X10073	Oil Plug	2	
5	X10102	Ball Bearing	1	
6	X25073	Ball Bearing	1	
7	X25075	Wheel, Main Cog	1	
8	X40073	Shaft Key 5x5x20mm	1	
9	X25077	Nut M16 Jam	1	
10	X25073	Ball Bearing	1	
11	X25071	Plate, Ventilation	1	
12	X25082	Transmission Case, Fixed Bowl Guard	1	
12	X25082-1	Transmission Case, Removable Bowl Guard	1	
12A		Dowel Pin Ø8xM6x10mm Threaded	2	
13	X91009	Label, Lubricate	1	
14	X10900	Grease Fitting	1	
14A	X10217	Grease Tube	1	
15	X91012	Label, Arrow	1	
16	X91010	Label, Stop To Chg Gears	1	
17	X10134	Safety Guard Spring Lock	1	
17A	X10134A	Washer M3 Split Lock	2	
17B	X10134B	Screw M3x8mm Round Hd	2	
18	X10043	Touch Shaft, Brass	1	
18	X10043N	Touch Shaft, Nylon	1	
18A	X10044	Spring	1	
18B		Tube	1	
18C	X30186	Nut M5 Hex	2	
19	X25052-55	Gear Shift Lever Assembly	1	
20		Gear Shift Lever With Knob	1	
20A	X10045-1	Knob, Gear Shift	1	
21		Shaft	1	
22		Cover	1	
22A	X25166	Screw M5x20mm Flat Hd	4	
22B	X10199	Gasket	1	
23		Shaft Bias	1	
23A		Roller	2	
23B		Spring	2	
23C		Roll Ø3x28mm Pin	1	
24	X10057-1	Microswitch, Interlock	1	
24A		Screw M3x20mm Round Hd	2	
24B		Nut M3 Hex	4	
25	X10058	Bracket, Microswitch	1	
25A		Screw M6x20mm Round Hd	2	
25B		Nut M6 Hex	4	
26	X25061	Plate, Warning	1	
26A	X25060	Screw M4x6mm Pan Hd	6	



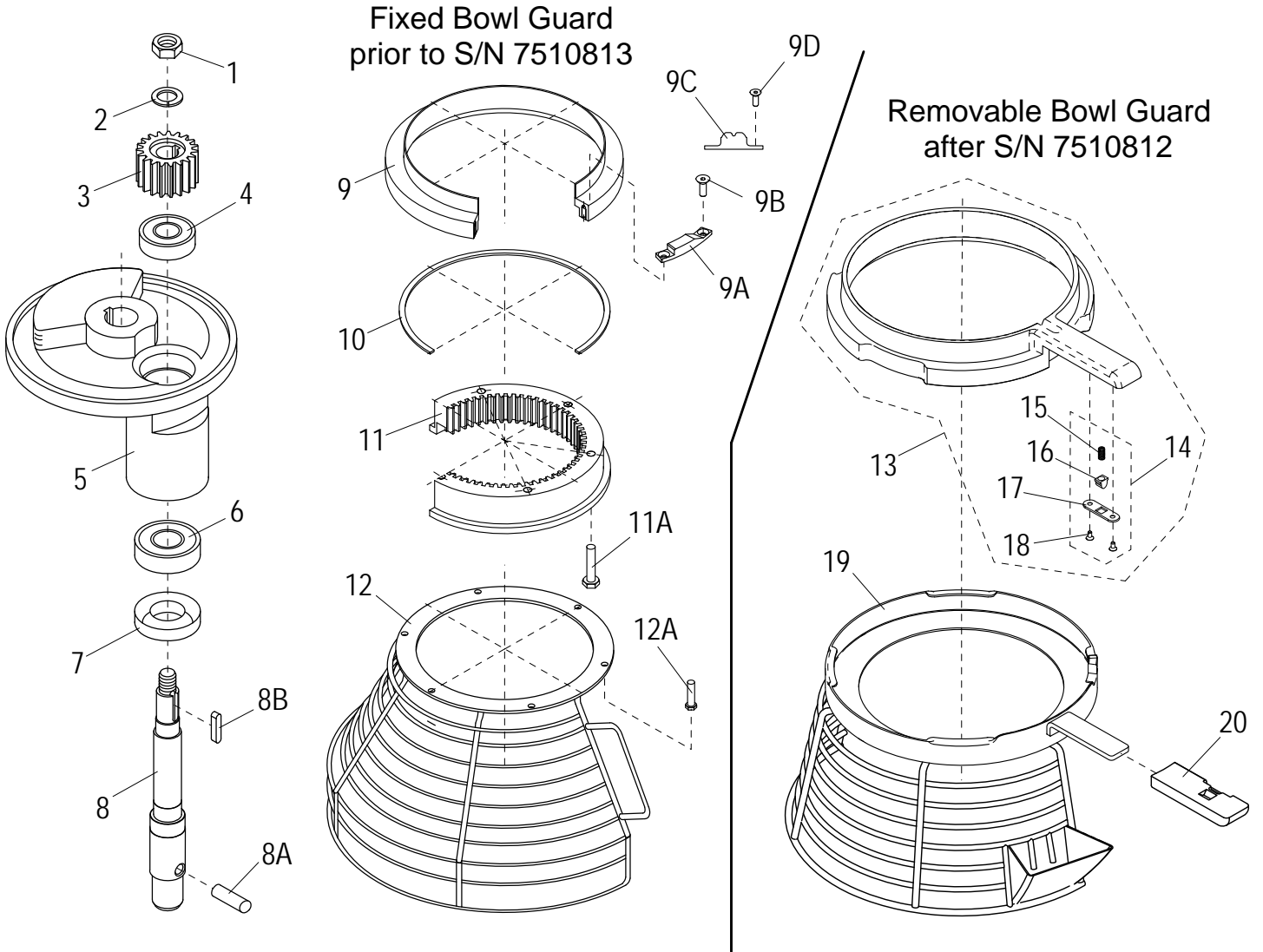
SPC25 Hub Assembly Components





SPC25 Hub Assembly Components

Item	Part Number	Description	Qty	Serial Number
1	X10007	Attachment Hole Plug	1	
2	X25018	Attachment Hub	1	->7511134
2	X25018-DG	Attachment Hub	1	7511135 ->
2A		Gasket	1	
3	X10004	Thrust Washer	1	*
4	X10075	Bearing	1	*
5	X30018-1	Thrust Washer Ø45xØ35mm	2	
6	X10003	Level Drive Gear (35T)	1	
7	X10005	Thumb Screw 1/2-13x3/4"	1	
8	X80B52	Screw M6X25mm Socket Hd	4	



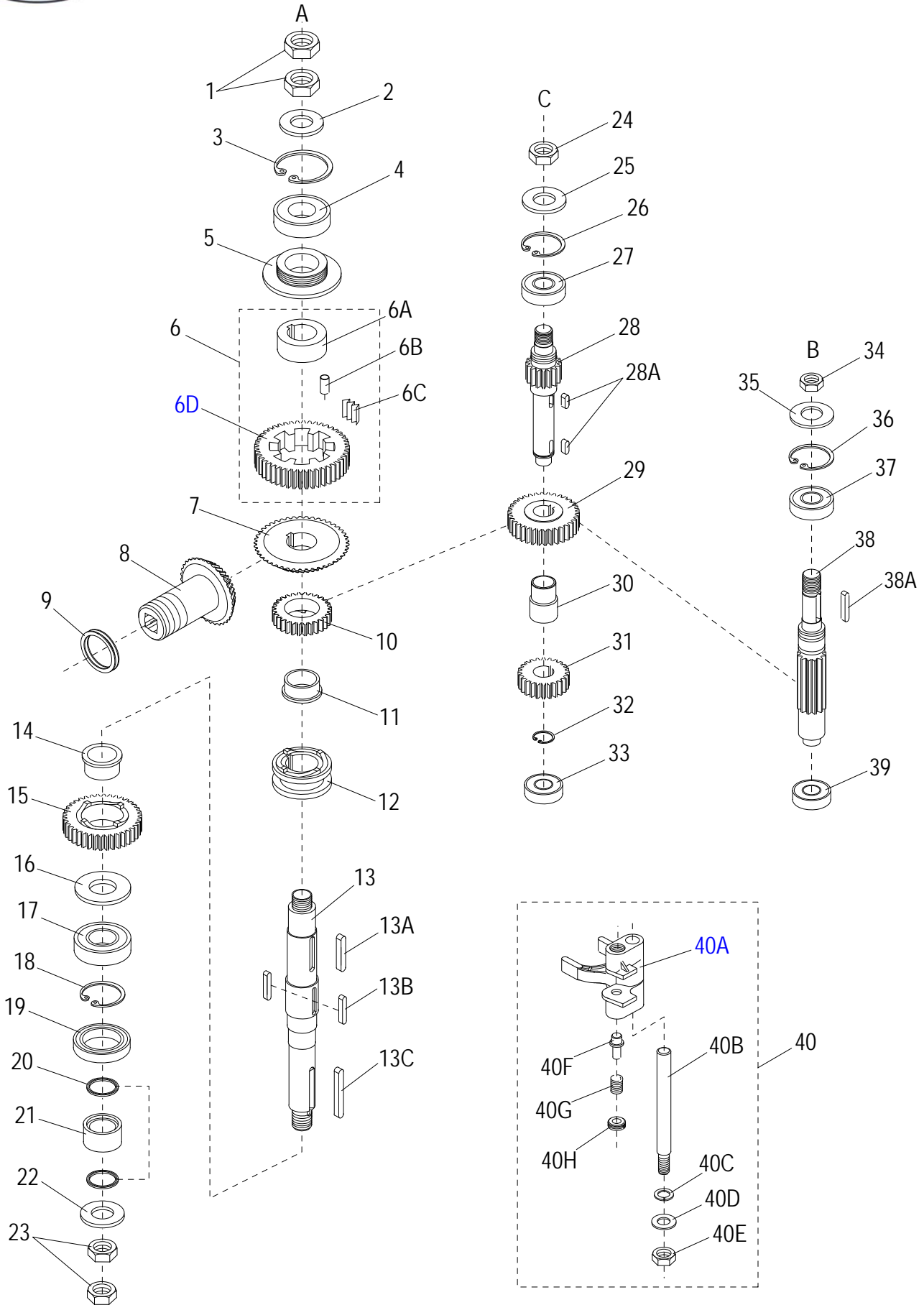


SPC25 Planetary Components

Item	Part Number	Description	Qty	Serial Number	
1	X10008	Nut M12 Hex	1		
2		Washer M12 Split Lock	1		
3	X25021	Pinion, Beater (19T)	1		
4	X10010	Ball Bearing	1		
5	X10011-DG	Planetary Holder	1		
6	X10012	Ball Bearing	1		
7	X10013	Oil Seal	1		
8	X10015	Planetary Shaft	1		
8A	X10080	Dowel Pin	1		
8B	X10014	Shaft Key 5x5x17mm	(Incl. with X10015)	1	
9	X10076	Slide Sheath	Used with *	1	->7510812
9	X10076P	Slide Sheath, Molded		1	->7510812
9A	X10041	Touch Mass	*	1	->7510812
9B	X10042	Screw M4x10mm Flat Hd - SS	*	2	->7510812
9C	X10135	Safety Guard Spring Lock Fixture	*	1	->7510812
9D		Screw M4x10mm Round Hd	*	2	->7510812
10	X10077	Teflon Mat		1	->7510812
11	X25088	Ring Gear (63T)		1	->7510812
11A	X25095	Screw M6x30mm Hex Hd		6	->7510812
12	X25089-90	Front Interlock Guard Assembly		1	->7510812
12A	X10083	Screw M5x8mm Hex Hd - Locking Patch		6	->7510812
13	X200S2	Plastic Slide Sheath, Removable Safety Guard		1	7510813 ->
14	X200S3	Spring Plunger Hardware Kit		1	7510813 ->
15		Spring		1	7510813 ->
16		Plunger		1	7510813 ->
17		Plate, Plunger Retention		1	7510813 ->
18		Screw M3x8mm Flat Hd		2	7510813 ->
19	X250S1	Bowl Guard Assembly, Stainless Steel		1	7510813 ->
20	X20504	Handle, Plastic - Removable Safety Guard		1	7510813 ->



SPC25 Gearbox Components





SPC25 Gearbox Components

Item	Part Number	Description	Qty	Serial Number
1	X25105	Nut M18 Stop	2	
2		Washer M18 Flat	1	
3	X25106	Retaining Ring STW-52	1	
4	X10102	Ball Bearing	1	
5	X25107	Lead-In Oil Pad	1	
6	X25108-111	Slow Speed Gear Assembly	1	
6A	X25108	Bushing	1	
6B	X25109	Dowel Pin	1	
6C	X25110	Slice Spring	1	
6D		Gear, Slow Speed (46T)	1	
7	X10095	Gear, Bevel (46T)	1	
8	X10003	Level Drive Gear (35T)	1	
9	X30018-1	Thrust Washer Ø45xØ35mm	1	
10	X25113	Gear, Clutch (28T)	1	
11	X10097	Bushing, Clutch	1	
12	X10110	Sleeve, Clutch	1	
13	X25124	Drive Shaft	1	
13A	X25115	Shaft Key 6x6x27mm	1	
13B	X25126	Shaft Key 5x5x27mm	2	
13C	X25125	Shaft Key 6x6x45mm	1	
14	X25116	Bushing, Clutch	1	
15	X25117	Gear, Clutch (38T)	1	
16	X25118	Washer, Stepped	1	
17	X10102	Ball Bearing	1	
18		Retaining Ring RTW-52	1	
19	X10105	Oil Seal	1	
20	X10103	O-Ring 28x22x3mm	2	
21	X25121	Guard, Oil Bushing	1	
22		Washer M20 Flat	1	
23	X10106	Nut M20 Jam	2	
24	X10008	Nut M12 Hex	1	
25		Washer M12 Flat	1	
26	X25145	Retaining STW-35 Ring	1	
27	X25073	Ball Bearing	1	
28	X25144	Transmission Shaft (15T)	1	
28A	X25143	Shaft Key 5x5x10mm	2	
29	X25142	Gear (34T)	1	
30	X25138	Bushing, Spacer	1	
31	X25137	Gear (24T)	1	
32	X10120	Retaining Ring STW-19	1	
33	X25134	Ball Bearing	1	
34	X25141	Nut M16 Jam	1	
35		Washer, Flat M16	1	
36	X25140	Retaining Ring #35	1	
37	X25073	Ball Bearing	1	
38	X25139	Shaft, Master (12T)	1	
38A	X40073	Shaft Key 5x5x20mm	1	
39	X25134	Ball Bearing	1	
40	X25128-133	Yoke Shifter Assembly	1	
40A		Yoke Shifter	1	
40B		Guide, Rod Shifter	1	
40C		Washer 3/8" Split Lock	1	
40D		Washer 3/8" Flat	1	



SPC25 Gearbox Components

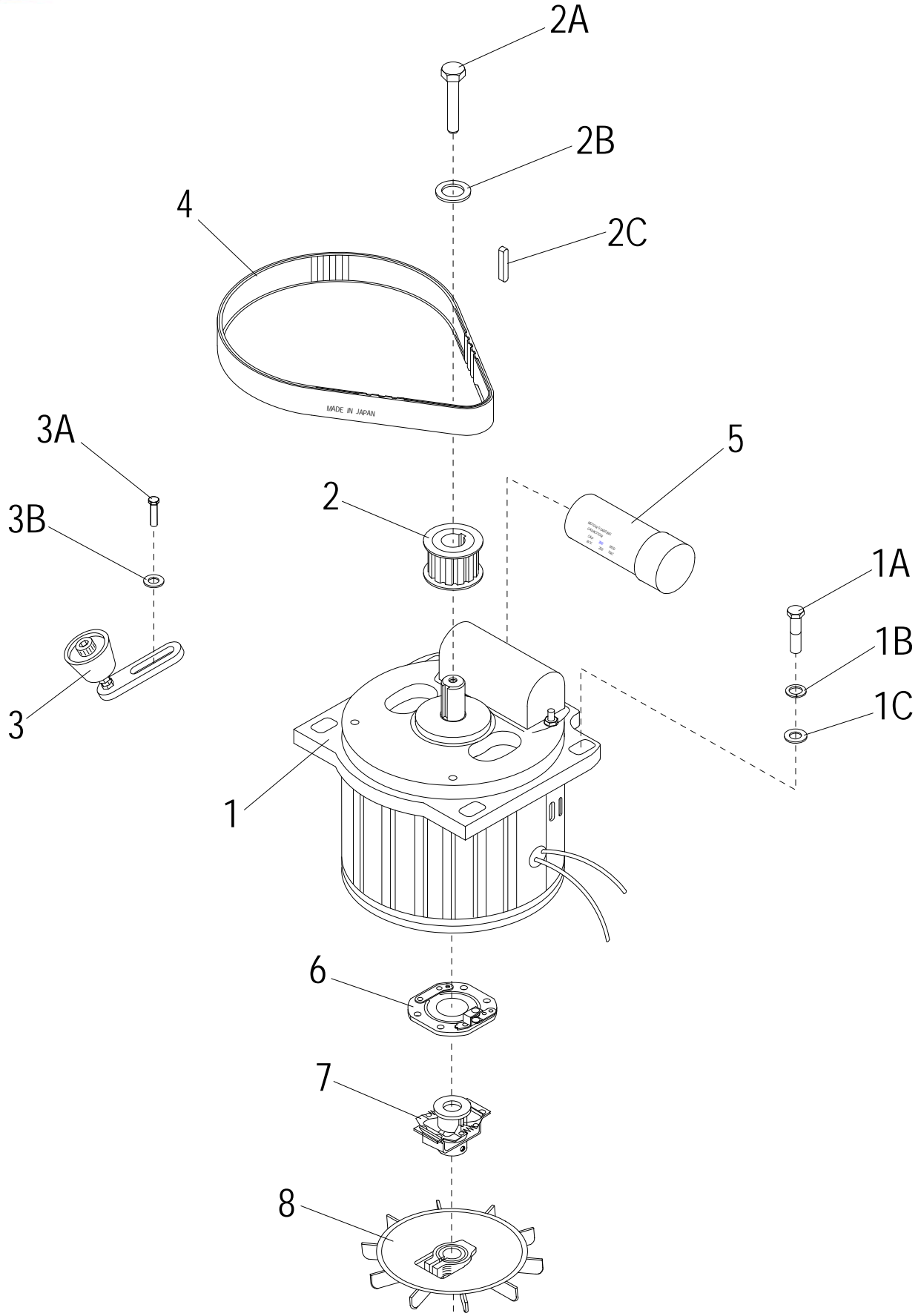
Item	Part Number	Description	Qty	Serial Number
40E		Nut 3/8-16 Stop	1	
40F		Plunger, Yoke Shifter	2	
40G		Spring, Yoke Shifter	2	
40H		Spring, Retainer	2	



INTENTIONALLY LEFT BLANK PAGE



SPC25 Motor Components



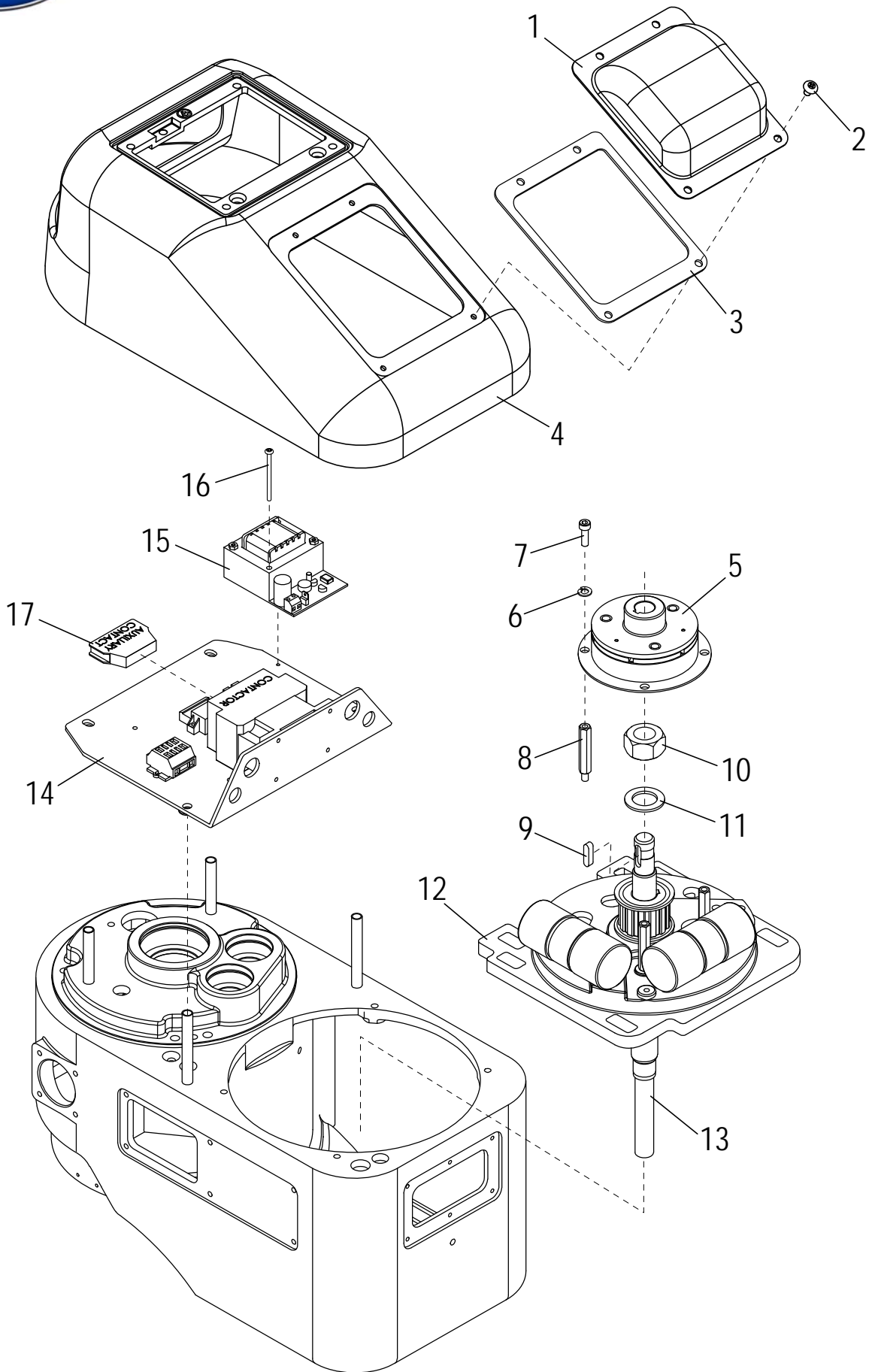


SPC25 Motor Components

Item	Part Number	Description	Qty	Serial Number
1	X25063C	Motor, 3/4 HP 120/60/1 - Mtr Brake	1	
1A	X25064	Screw M6x24mm Hex Hd	4	
1B		Washer M6 Split Lock	4	
1C		Washer M6 Flat	4	
2	X25066	Wheel, Motor Cog (15T)	1	
2A	X25070	Screw M6x24mm Hex Hd	1	
2B	X25069	Washer M6 Flat	2	
2C	X25068	Shaft Key 5x5x25mm	1	
3	X25147	Belt Tensioner	1	
3A	X25148	Screw M8x24mm Hex Hd	2	
3B		Washer M8 Flat	2	
4	X25067-1	Belt 255L - Old Style	1	
4	X25067-2	Belt 259L - Old Style	1	
4	X25067-3	Belt 263L	1	7510056 ->
5	X20026	Capacitor, Start - 300Mf	1	
6	X10051	Switch, Platinum	1	
7	X25059	Clutch	1	
8	X25056	Cooling Fan	1	



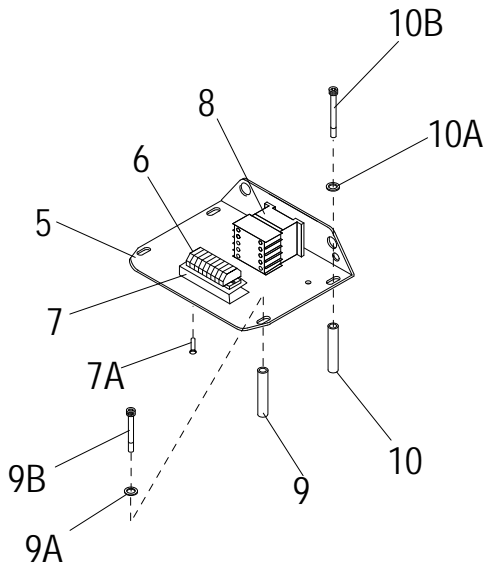
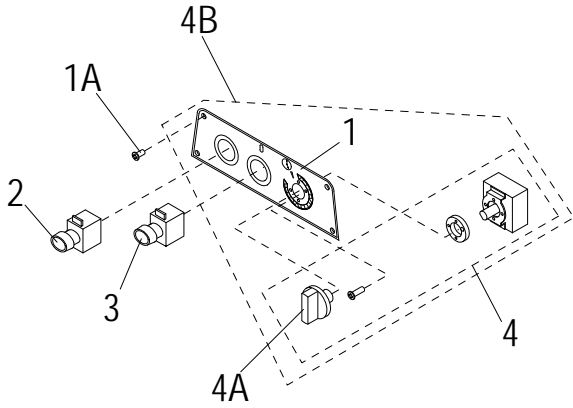
SPC25 Motor Brake Components



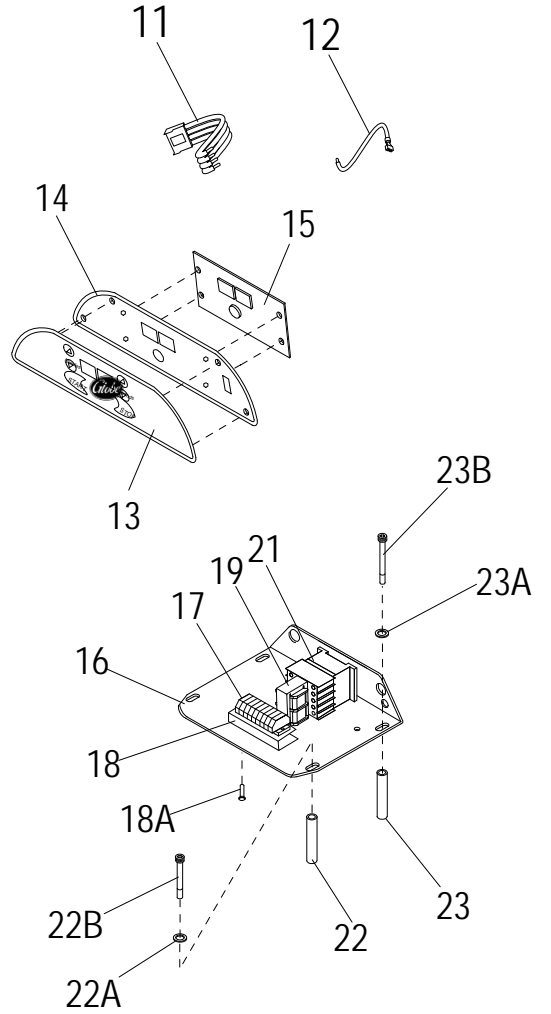


SPC25 Motor Brake Components

Item	Part Number	Description	Qty	Serial Number
1	X25500	Cover, Motor Brake Components	1	
2		Screw M5x10mm Button Hd	4	
3	X25500-1	Gasket	1	
4	X25004-1	Transmission Cover, Motor Brake Version	1	
5	X25501	Motor Brake, Magnetic	1	
6		Washer M5 Split Lock	4	
7		Cap Screw M5x12mm Socket Hd	4	
8	X25502	Hex Standoff	4	
9		Shaft Key 5x5x17mm	1	
10		Nut M18 Hex	1	
11		Washer M18 Flat	1	
12		Top Cover, Motor	Incl. w/X25063C	1
13		Motor Shaft	Incl. w/X25063C	1
14		Plate, Electronic Component Mounting	1	
15	X20512	Electronic Board, 115V	1	
16		Screw M3x34mm Round Hd	2	
17	X25503	Auxiliary Contact Block	1	



Manual Timer



Digital Timer

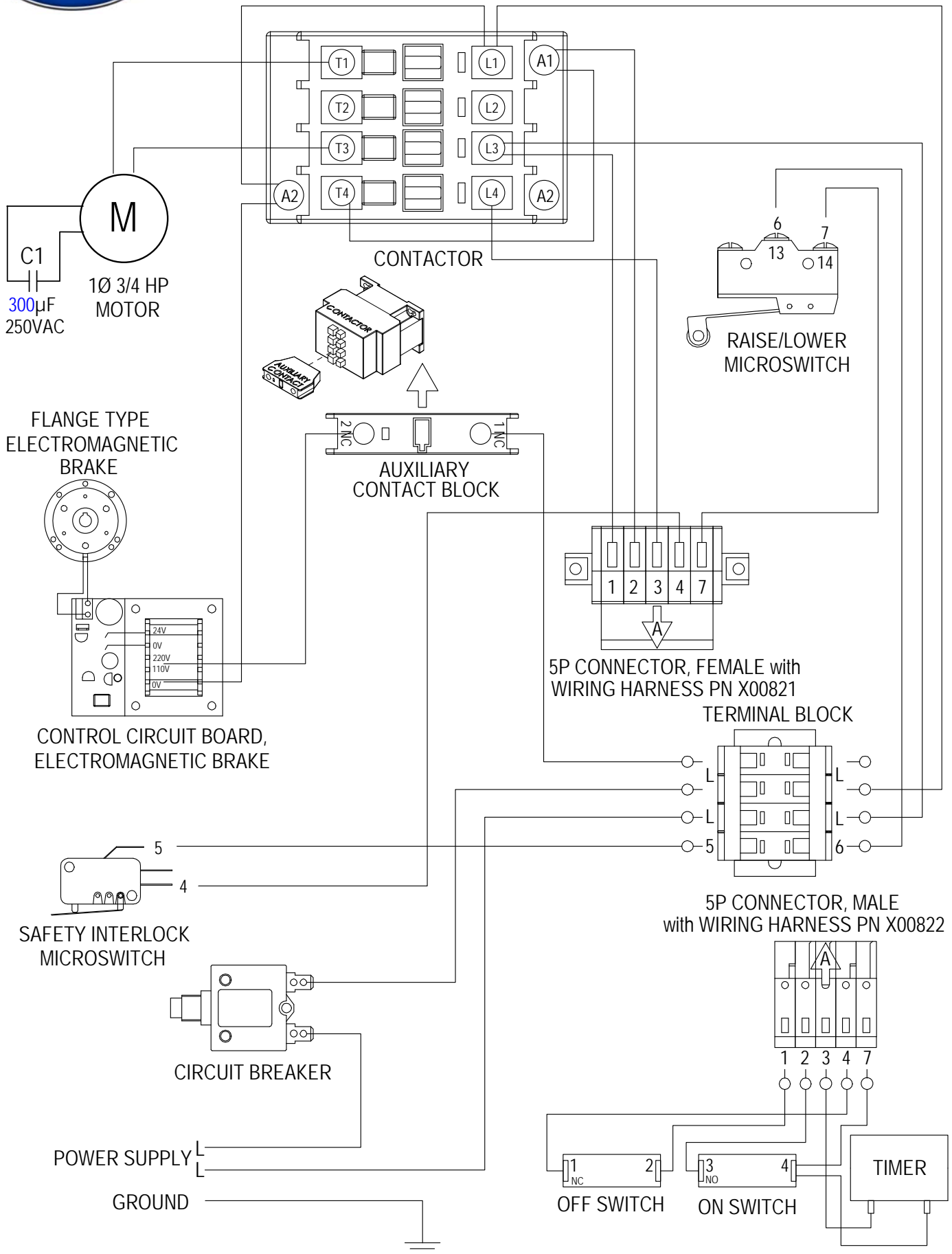


SPC25 Manual and Digital Timer

Item	Part Number	Description	Qty	Serial Number
1	X10002	Control Panel	1	
1A	X10179	Screw M4x10mm Truss Hd - Control Panel Mounting	4	
2	X10050	Emergency Stop Button	1	
3	X10049	Start Button	1	
3A	X10049-1	Boot, Start/Stop Switch Button (Not Shown)	2	
4	X10137	Timer Assembly With Knob	1	
4A	X10137-1	Timer Knob	1	
4B	X25296	Timer Assembly With Control Panel	1	
5	X25014	Plate, Electronics Mounting	1	
6	X10029A	Connecting Block Set	1	
6	X10029-2G	Connecting Block, Gray (2C)	11	
6	X10029-EC	Connecting Block End Cap	1	
7	X25014A	Plate, Connecting Block Mounting	1	
7A	X25013	Screw M6x12mm Hex Hd	2	
8	X30011ABB	Contactora, Spc Model	1	
9	X25191	Tube, Support	2	
9A		Washer M6 Flat	2	
9B	X25189	Screw M6x64mm Hex Hd	2	
10	X25080	Tube, Support	2	
10A		Washer M6 Flat	2	
10B	X25081	Screw M6x80mm Socket Hd	2	
11	X00675	4 Wire Harness With Connector	1	
12	X00676	Single Wire With Quick Connect	2	
13	X00565	Switch, Membrane	1	
14	X10336	Aluminum Panel	1	
15	X00568	Control Board	1	
16	X25014	Plate, Electronics Mounting	1	
17	X25012	Connecting Block Set	1	
17	X10029-2G	Connecting Block, Gray (2C)	11	
17	X10029-EC	Connecting Block End Cap	1	
18	X25014A	Plate, Connecting Block Mounting	1	
18A	X25013	Screw M6x12mm Hex Hd	2	
19	X00569	Control Transformer Assembly	1	
20	X00570	Control Transformer Fuse (Not Shown)	1	
21	X30011ABB	Contactora, Spc Model	1	
22	X25191	Tube, Support	2	
22A		Washer M6 Flat	2	
22B	X25189	Screw M6x64mm Hex Hd	2	
23	X25080	Tube, Support	2	
23A		Washer M6 Flat	2	
23B	X25081	Screw M6x80mm Socket Hd	2	



SPC25 Wiring Diagram - 120V Single Phase - Prior





SPC25 Wiring Diagram - 120V Single Phase - Digital Timer - Post

