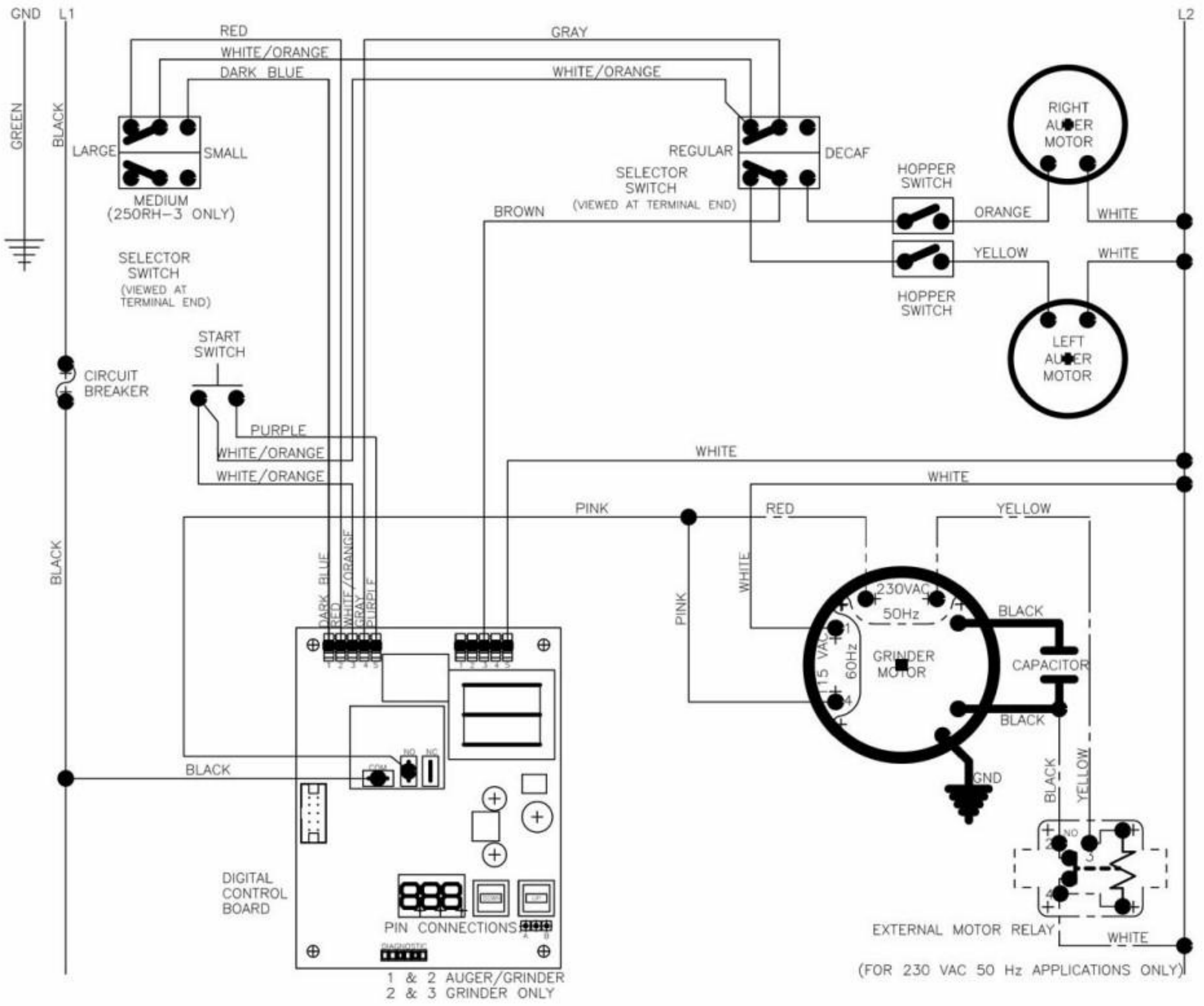


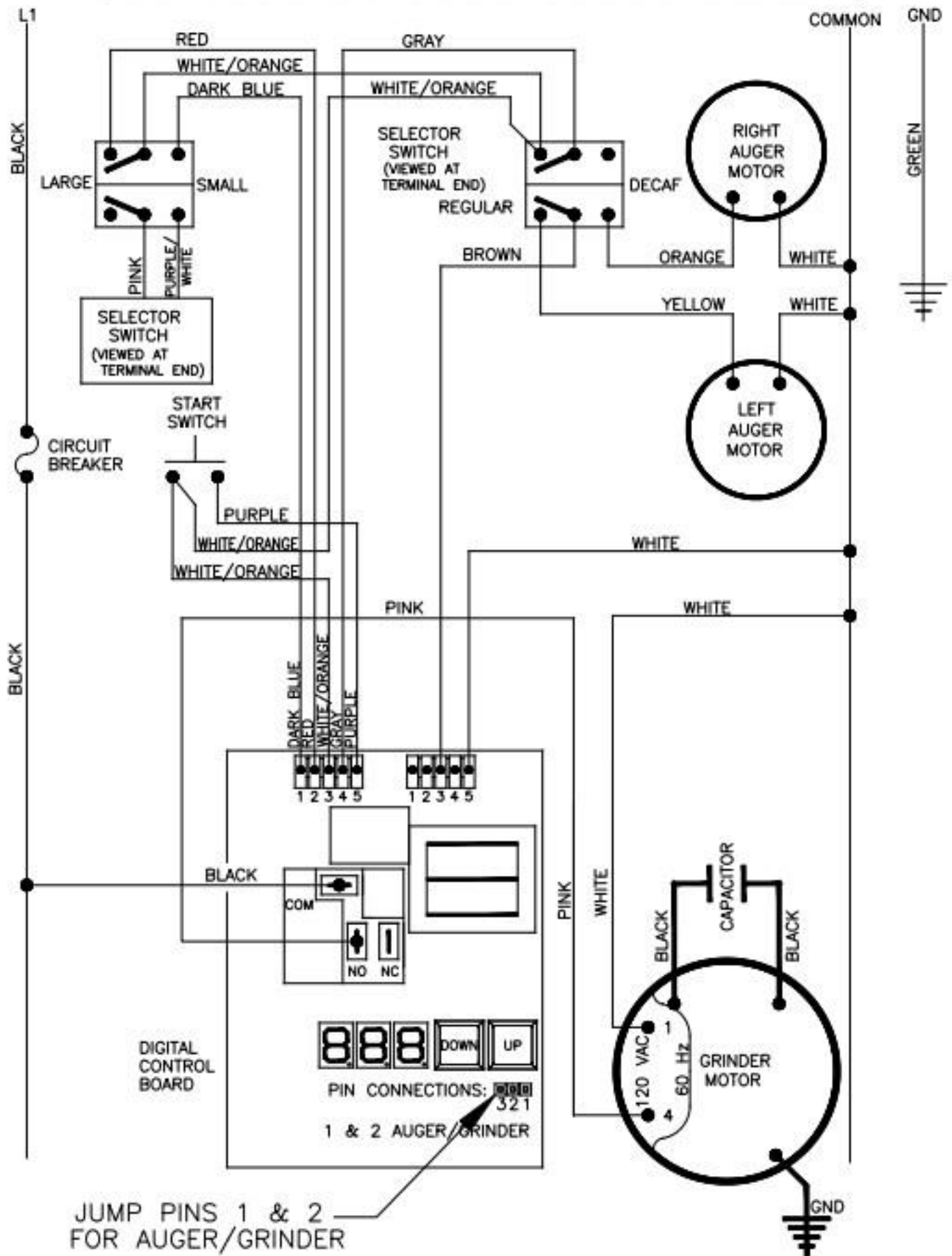
JUMP PINS 1 & 2 FOR AUGER/GRINDER



1 & 2 AUGER/GRINDER
2 & 3 GRINDER ONLY

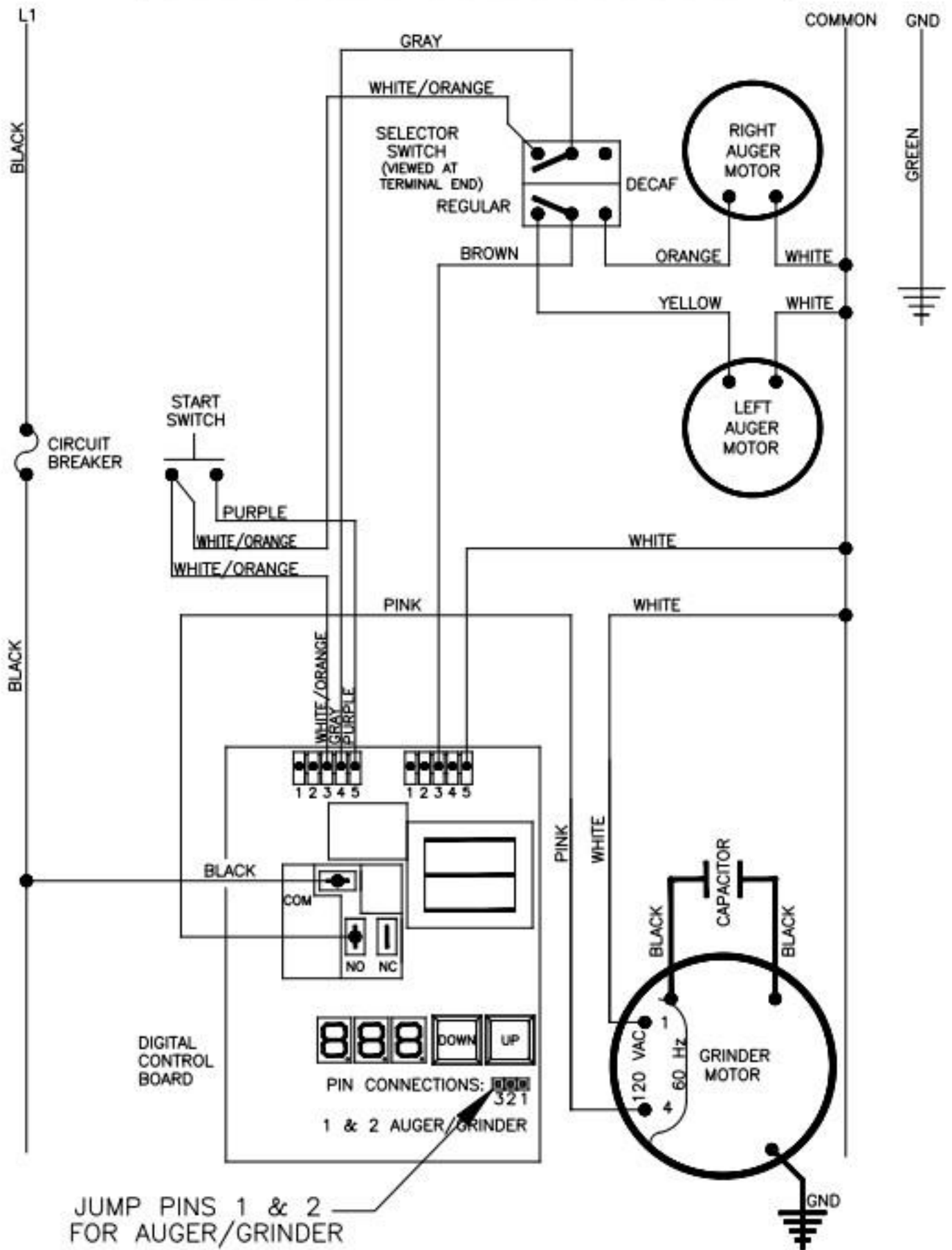
(FOR 230 VAC 50 Hz APPLICATIONS ONLY)

SCHEMATIC: 250-3A-120VOLT



JUMP PINS 1 & 2 FOR AUGER/GRINDER

SCHEMATIC: 250-120Volt



JUMP PINS 1 & 2 FOR AUGER/GRINDER

