



Cecilware®

Operator Manual

Portable Hot Water Dispensers or Coffee Holding Urns CS113 and CS115



Model CS113

Table of Contents

Safety Information.....2	Cleaning.....3
Installation.....2	Wiring Diagram.....3
Operation3	Parts List.....4

Thank you for purchasing this quality water heater. For your safety and the safety of others, read all warnings and the operator manual before installing or using the product. Properly instruct all operators. Keep training records. For future reference, record serial number here:

Grindmaster-Cecilware provides the industry's BEST warranty. Visit gmcw.com for warranty terms and conditions.

Grindmaster-Cecilware

4003 Collins Lane, Louisville, KY 40245 USA
Phone: 502.425.4776 Toll Free: 800.695.4500
Fax: 502.425.4664
Web: gmcw.com Email: info@gmcw.com



**Grindmaster
Cecilware**

Safety Information

Important Safety Information



This is the safety alert symbol. It is used to alert you to potential personal injury hazards. Obey all safety messages that follow this symbol to avoid possible injury or death.

For your safety and the safety of others, read all warnings and the operator manual before installing or using the product.

DANGER: This term warns the user of imminent hazard that will result in serious injury or death.

WARNING: This term refers to a potential hazard or unsafe practice, which could result in serious injury or death.

CAUTION: This term refers to a potential hazard or unsafe practice, which could result in minor or moderate injury.

NOTICE: This term refers to information that needs special attention or must be fully understood.

WARNING

To reduce risk of electrical shock, do not remove or open cover. No user-serviceable parts inside. Repair should be done by authorized service personnel only.

The appliance is not intended for outdoor use.

Do not clean with pressurized water or use in an area where pressurized water may be used.

Cleaning and maintenance shall be made only by properly trained persons with supervision.

This appliance is not intended for use by persons with reduced physical, sensory, or mental capabilities, or lack of experience and knowledge, unless they have been given supervision or instruction concerning use of the appliance by a person responsible for their safety.

Children should be supervised to ensure that they do not play with the appliance.

Do not alter or deform the power cord or plug in any way! Altering or deforming the plug may cause electrical shock, damage unit, and will void warranty.

To reduce risk of explosion or fire, do not use near combustibles.

CAUTION

For safe and proper operation, the appliance must be placed in a stable, vertical position.

To reduce risk of serious burns or scalding, do not place hand or other body parts under dispenser or container while product is heating.

Always unplug unit from power supply before servicing.

Surfaces are hot and can cause burns.

NOTICE

Use only on an electrical circuit that is properly protected and capable providing adequate power.

Electronically ground the chassis.

Follow national and local electrical codes.

Do not use extension cord.

Installation

Unpacking Instructions

Carefully unpack the machine and inspect immediately for shipping damage. The packaging may contain unattached parts. Your machine was shipped in a carton designed to give it maximum protection in normal handling. It was thoroughly inspected before leaving the factory. In case of damage, contact the shipper, not Grindmaster-Cecilware.

NOTICE: Do not use extension cords. Make sure that the outlet the unit plugs into is grounded. Check rating marking on nameplate to be sure electric lines match voltage, phase, and amperage requirements of appliance.

Operation

▲ CAUTION: BURN HAZARD

Water from unit is very hot. Use caution when pouring or transporting hot water. Accidental spills may result in severe burns.

NOTICE: Do not run the unit dry (without water).

1. Turn thermostat knob all the way counterclockwise to OFF position.
2. Fill with fresh water, plug into electric outlet, turn thermostat knob clockwise to the maximum setting of "10", then turn to the desired temperature (between 5 and 8).
3. Sight Glass Indicates water level.

If you need help, call Grindmaster-Cecilware Technical Service Department, (502) 425-4776 or (800) 695-4500 (USA & Canada only) (Monday through Friday 8 AM - 6 PM EST). Please have the model and serial number ready so that accurate information can be given.

Prior authorization must be obtained from Grindmaster-Cecilware for all warranty claims.

Grindmaster-Cecilware provides the industry's BEST warranty. Visit our website at gmcw.com for warranty terms and conditions.

Cleaning

▲ CAUTION: BURN HAZARD

Dispenser surfaces and water inside dispenser are very hot. Use caution when cleaning unit to prevent burns.

▲ CAUTION: BURN HAZARD

Never remove faucet when the unit has water in it.

NOTICE: All sanitizing agents in the food zone must comply with 21 CFR 178.1010. Sanitize all food dispensing units periodically. All parts to be sanitized must be cleaned first. Cleaning and sanitizing frequency must follow state and local health department regulations.

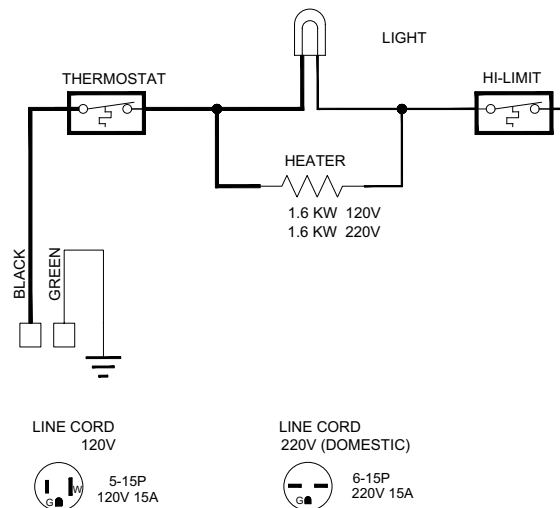
Weekly

1. Clean urn inside with mild soap and water. Rinse thoroughly.
2. Wipe exterior with a soft, damp cloth.

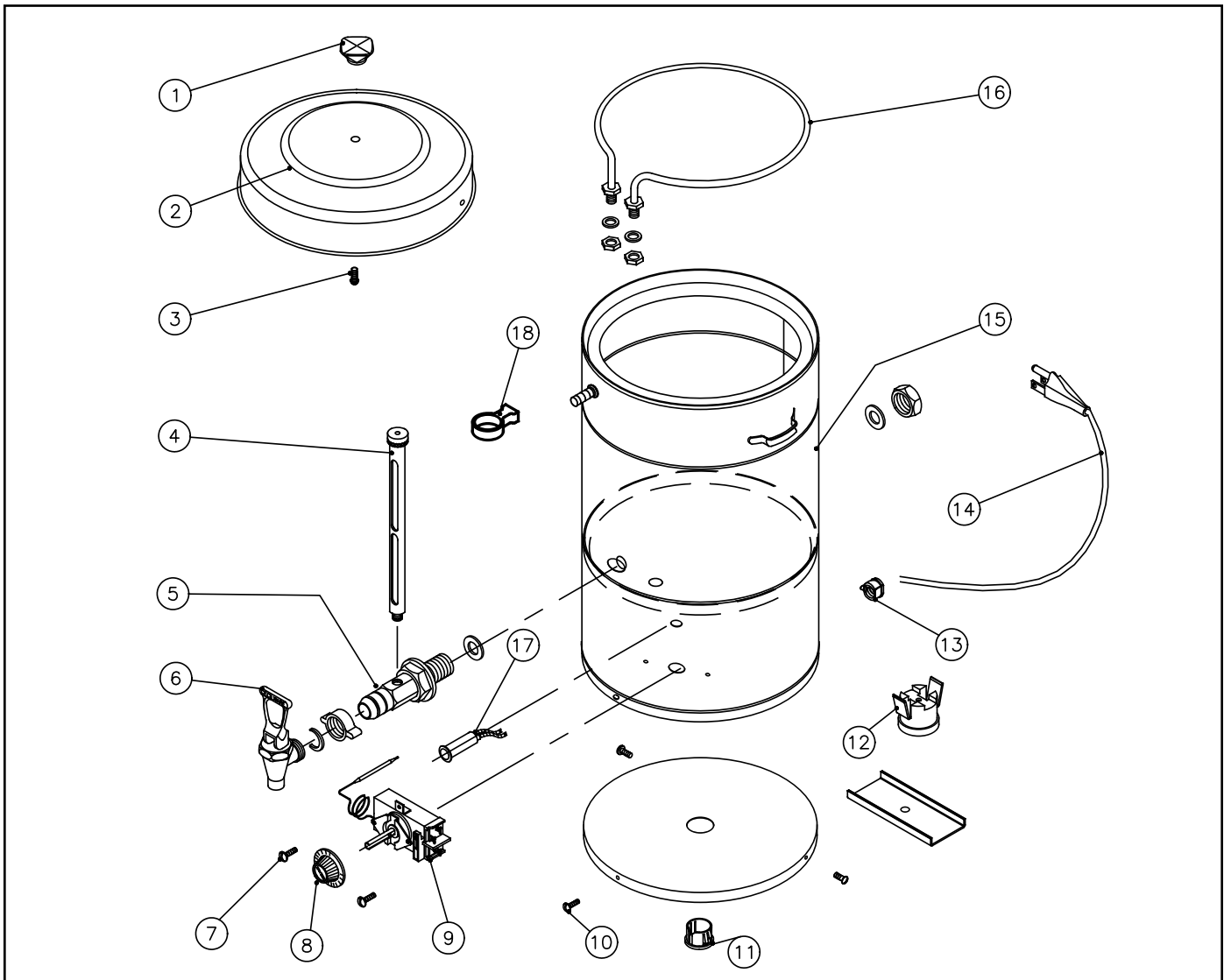
Sanitizing

1. With power to the unit disconnected, fill unit to capacity.
2. Prepare a sanitizing solution in accordance with local health department regulations. You may also refer to the US Food and Drug Administration regulation 21 CFR 178.1010 "Sanitizing Solutions" and US Environmental Protection Agency 40 CFR 18.940 "Tolerance exemptions for active and inert ingredients for use in antimicrobial formulations (Food-contact surface sanitizing solutions)".
3. Follow the instructions provided with the sanitizing agent.
4. Drain all water from the unit slowly.
5. Let all sanitized parts drain and dry naturally. **DO NOT WIPE THEM DRY.**
6. If the unit is not to be used again immediately after sanitizing - do not rinse with water. If the unit is to be used immediately after sanitizing - rinse with water before refilling the unit for further use.

Wiring Diagram



Parts List



ITEM	DESCRIPTION	PART #	ITEM	DESCRIPTION	PART #
1	URN COVER KNOB	M027AL	12	HI-LIMIT	L573AL
2	COVER, URN	Q004AL	14	LINE CORD	C032SL
4	GAUGE GLASS SHIELD 9" (CS113)	D002B	15	URN BODY (CS113)	R045QL
4	GAUGE GLASS SHIELD 10 1/2" (CS115)	D018A	15	URN BODY (CS115)	R046QL
5	GAUGE SHANK 1/2"	D021AL	16	HEATER ELEMENT 120 V	320-0023
6	FAUCET ASSEMBLY	D064EL	16	HEATER ELEMENT 220 V	G359AL
8	THERMOSTAT KNOB	M008AL	17	LIGHT - ORANGE	C002A
9	THERMOSTAT	L005AL	18	GAUGE SHIELD MT. BRACKET	U160A
11	HOLE PLUG (1.250 DIA)	P300A			

Grindmaster-Cecilware

4003 Collins Lane, Louisville, KY 40245 USA
 Phone: 502.425.4776 Toll Free: 800.695.4500
 Fax: 502.425.4664
 Web: gmcw.com Email: info@gmcw.com

