

INSTRUCTION SHEET

Intek Water Drain Kit Installation Instructions

Introduction:

The 161053 Intek Water Drain Kit is shipped as a collection of parts that allows the steamer reservoir drain and condensate drain to be directed to a floor drain through a high-temperature rubber hose. Assembly on site is required. The instructions below will guide you through the process. All of the hardware required to assemble the hose and connect to the steamer is included.

1.0 Unpacking

- 1.1 Remove all parts from the shipping carton.

WARNING: DISCONNECT ELECTRICAL POWER AND THE GAS LINE (IF USED) FROM THE STEAMER BEFORE INSTALLING THE DRAIN KIT.

2.0 Verify Parts

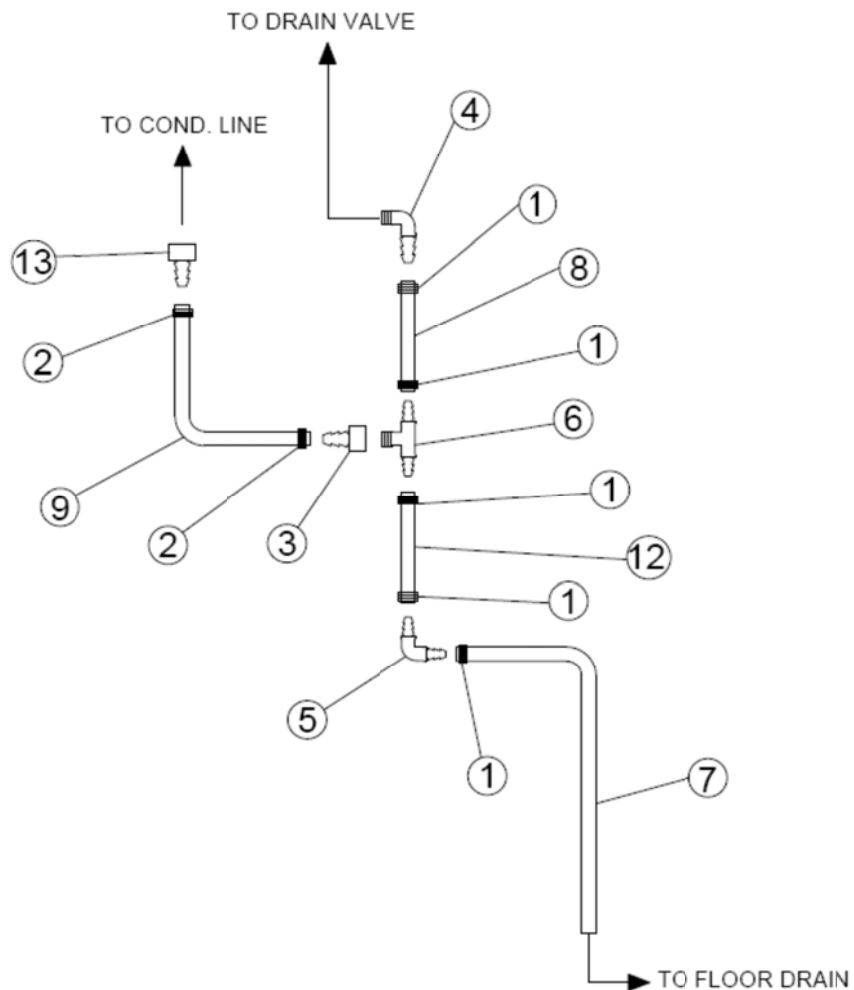
- 2.1 Locate parts and verify the correct quantities listed below were included in the carton. Check the packing materials for any missing parts.

ITEM	P/N	DESCRIPTION	QTY	UOM
1	099284	CLAMP HOSE WORM DRIVE	5	EA
2	127523	CLAMP, CONSTANT TENSION	2	EA
3	142262	ADAPTER, 1/2" FPT TO 3/8" BARB	1	EA
4	142548	1/2" NPT TO 3/4" BARB, 90 DEG ELBOW	1	EA
5	142549	3/4" HOSE BARB, 90 DEG. ELBOW	1	EA
6	143244	BRANCH TEE, 3/4" HOSE BARB TO 1/2" NPT	1	EA
7	143250	HOSE, 3/4" ID, 10 FT LONG	1	EA
8	143251	HOSE, 3/4" ID, 3.5-IN LONG	1	EA
9	143254	HOSE, 3/8" ID, 30-IN LONG	1	EA
10	158591	DRAIN PAN	1	EA
11	162992	10-24 SHOULDER SCREW, LOW PROFILE	2	EA
12	160133	HOSE, 3/4" ID, 7-IN LONG	1	EA
13	162993	ADAPTER, 3/8" FPT TO 3/8" BARB	1	EA

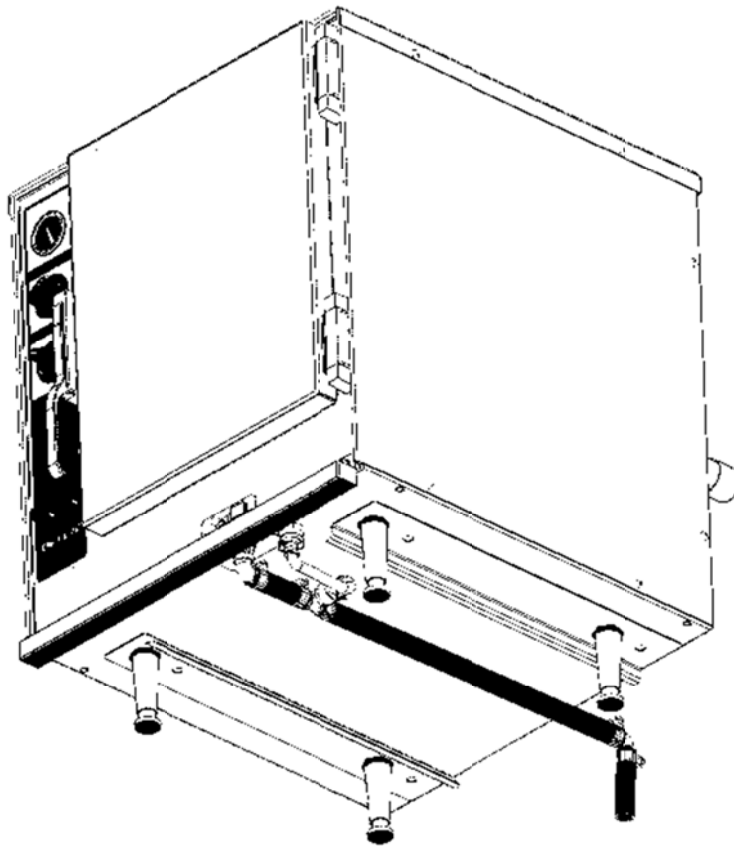
3.0 Water Drain Installation

- 3.1 Remove the right side panel from the steamer to provide access to the condensate drain connection. The condensate runs from the bottom of the copper condenser to a 90 degree barb elbow on the bottom of the steamer. The elbow is secured to the bottom with a nut.

- 3.2 Remove the nut and replace it with the 3/8" FPT to 3/8" barb adapter [Item 13]. Tighten the connection securely.
- 3.3 Install one end of the supplied hose 3/8" inside diameter x 30" long [Item 7] onto the 3/8" barb outlet and secure with a constant tension clamp [Item 2].
- 3.4 Reattach the right side panel on the steamer.
- 3.5 Thread the hose drain 3/4" barbed elbow [Item 4] onto the unit drain valve opening underneath the steamer. Tighten the connection securely with the barb end facing toward the rear of the steamer
- 3.5 Assemble the drain assembly starting with the 3-1/2 inch hose [Item 8], the 3/4 Barb Tee [Item 6], the 1/2 FPT to 3/8 Barb Adapter [Item 3], the 7 inch hose [Item 12], the 3/4 Barb Elbow [Item 5] and the 10 foot hose [Item 7] as shown in the drawing below. Use the hose clamps [Item 1] on the 3/4 hose connections and the constant tension clamps [Item 2] on the 3/8 hose connections.



- 3.6 Install the short hose end [Item 8] to the $\frac{3}{4}$ " barb elbow [Item 4] on the drain valve.
- 3.7 Cut the $\frac{3}{8}$ " x 30" hose [Item 9] to a length that will connect to the drain hose assembly without pinching or kinking.
- 3.8 Connect the $\frac{3}{8}$ " diameter x 30" long hose loose end to the plastic barb fitting on the drain hose assembly.
- 3.9 A 10 foot length of hose [Item 7] is supplied with this kit. It can be cut to length and used with the elbow to help route the hose to the proper drain location.
- 3.10 For single units cut the long hose to length as needed to route it to a facility drain. Note hose end must have at least a 2" gap from the floor drain. Make sure the hose has a continuous downward slope without any traps.
- 3.11 For double stack units, install two kits, one on each steamer and run both hoses to the facility drain.
- 3.12 The completed hose installation should appear as in Figure 2.



4.0 Drain test

- 4.1 Test to ensure the final assembly of the drain line allows the water to flow freely. Loops or kinks in the hose will cause back pressure which may cause the door to pop open during draining.

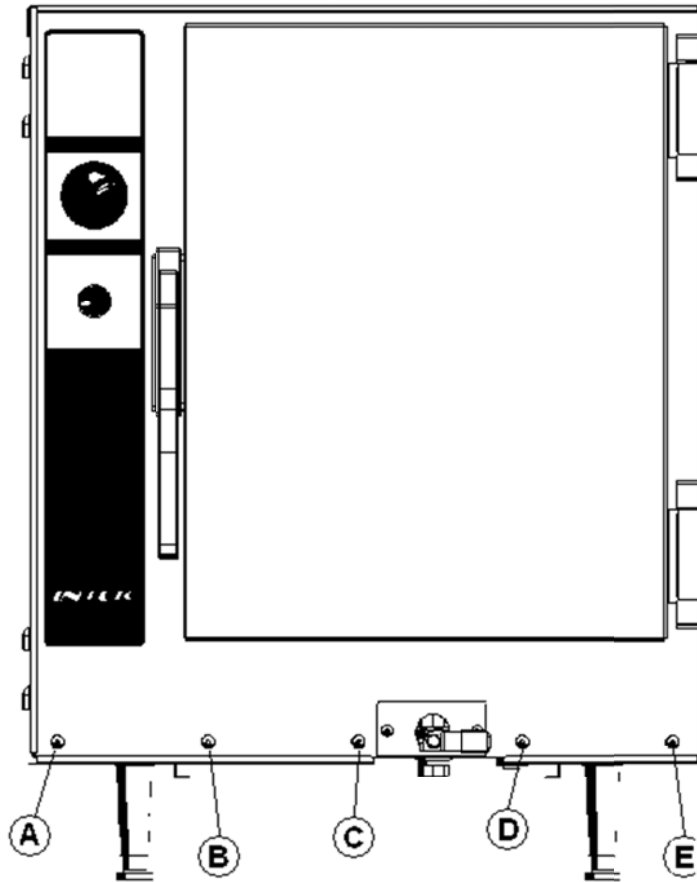
WARNING: DO NOT CONNECT THE DRAIN DIRECTLY TO A BUILDING DRAIN. BLOCKING THE DRAIN IS HAZARDOUS.

There must be a free air gap between the end of the hose and the building drain. The free air gap should be as close as possible to the drain unit. There also must be no other elbows or restrictions between the unit drain and the free air gap

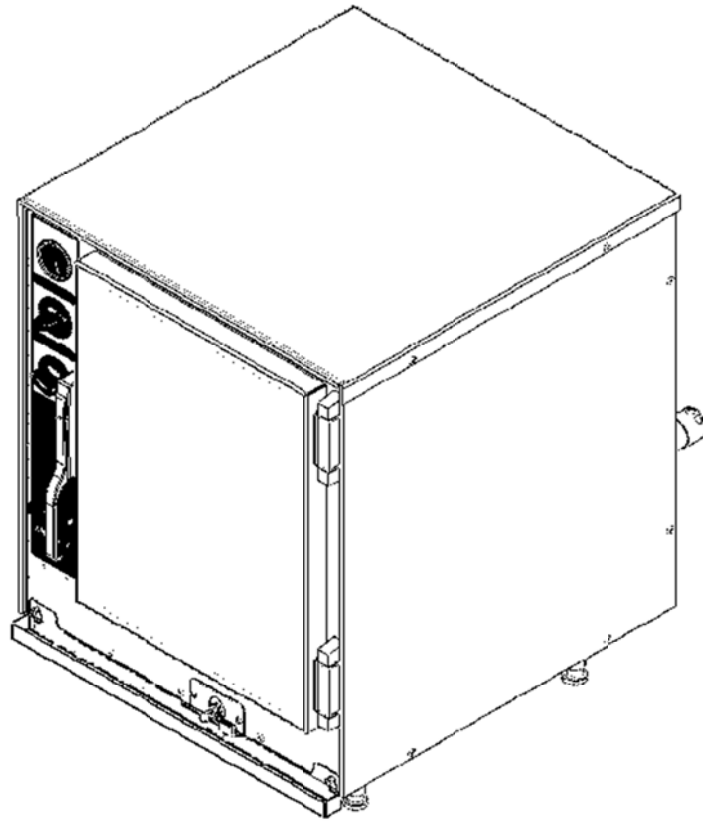
CAUTION: DO NOT USE PLASTIC PIPE. THE DRAIN MUST BE RATED FOR BOILING WATER.

5.0 Condensate Tray installation

- 5.1 Remove screws (D) and (E) from the lower right front of the steamer (see figure below) and slide out the gutter strip that is sandwiched between the front face and the floor of the steamer.



- 5.2 Reinstall screw (D) and use a 10-24 low profile shoulder screw [Item 11] in place of Screw (E).
- 5.3 Similarly on the lower left front side of the steamer, remove screws (A), (B) and (C) and slide out the gutter strip on the left side.
- 5.4 Reinstall screws (B) and (C). Use a 10-24 low profile shoulder screw [Item 11] in place of screw (A).
- 5.5 Hang the condensate drip tray on the front of the steamer. The keyhole tabs on the tray should easily fit over the two new shoulder screws. The completed steamer should now appear as shown below.



6.0 Final Installation Check

6.1 The installed drain line(s) should appear as shown below. The figure illustrates a stacked pair of steamers with two separate lines. A single unit would only show a single line.

