

# INSTRUCTION SHEET

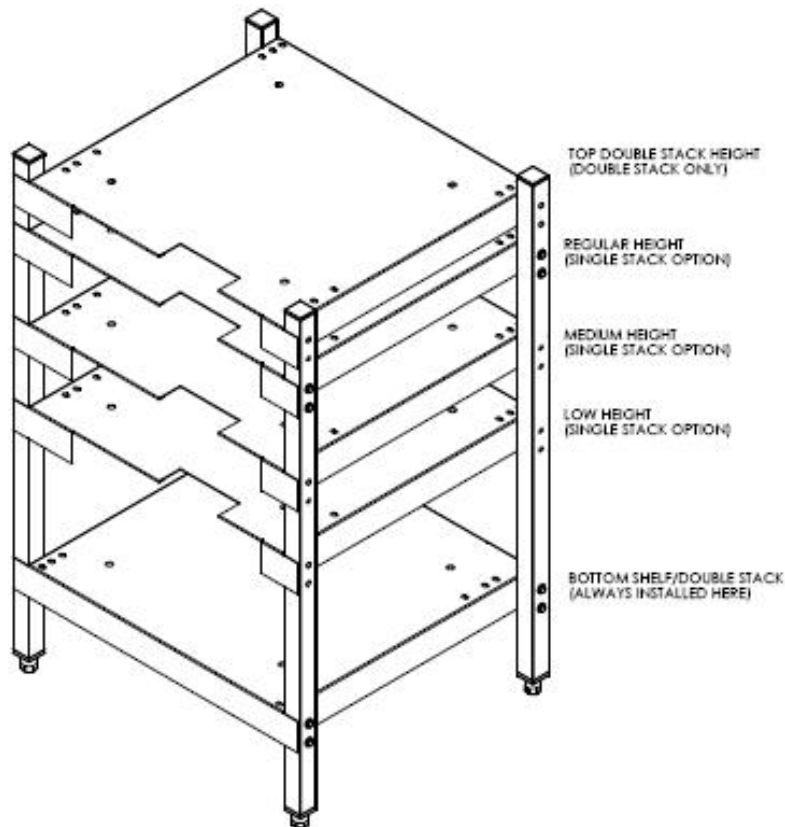
## Intek Steamer Knockdown Stand Assembly and Steamer Mounting

### Introduction:

The 170944 Intek Steamer Stand is shipped in a compact, knockdown form. Assembly on site is required before attempting to mount the steamer(s). The instructions below will guide you through the process. All of the hardware required to assemble the stand and mount the steamer(s) is included.

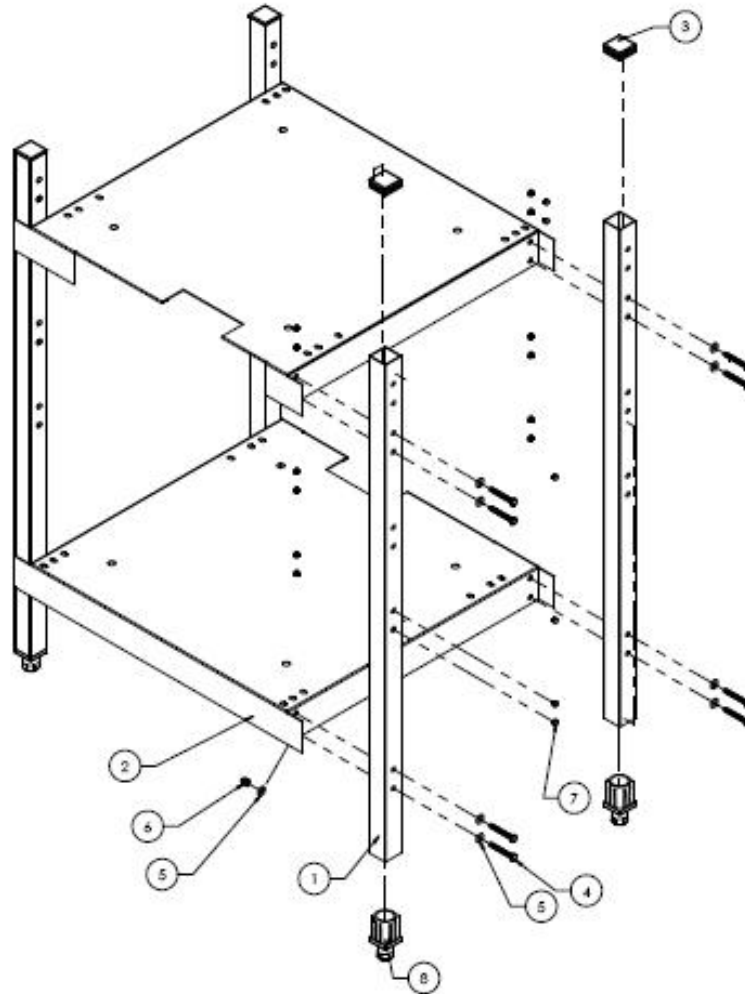
### 1.0 Stand Assembly

1.1 Determine the shelf position locations most appropriate to the location. There are two shelves supplied with the stand and both must be used to provide proper stability. The lower shelf always mounts in the bottom position. The upper shelf mounts in one of four positions, depending upon whether a single steamer is being mounted or a pair of steamers are being double-stacked. The upper shelf always mounts in the topmost position when a pair of steamers are mounted.



1.2 The above figure shows the shelf orientation for a single steamer, where the cutout in the lower shelf is turned to the back of the stand. For a double-stack stand, turn the shelf so the cut-out faces to the front.

1.3 Attach each shelf (Item 2) to the stand with eight 2" hex-head screws (Item 4), inserting the screws through the legs. Install a washer (Item 5) under the head of the screw and under the dome nut (Item 6) holding the screw, as shown below. Square up and tighten the stand before installing the steamer(s).



Item No	Part No	Description	Qty
1	170719	Leg, Intek Steamer Stand	4
2	170718	Shelf, Intek Steamer Stand	2
3	142684	End Plug, 1-1/2" Square Tube	4
4	156055	Screw, Hex Head, 1/4-20 x 2"	16
5	005472	Washer, Plain, 1/4"	32
6	090567	Nut, Dome, 1/4-20	16
7	129788	Plug, Hole, 9/32"	48
8	042505	Foot Insert, Bullet	4

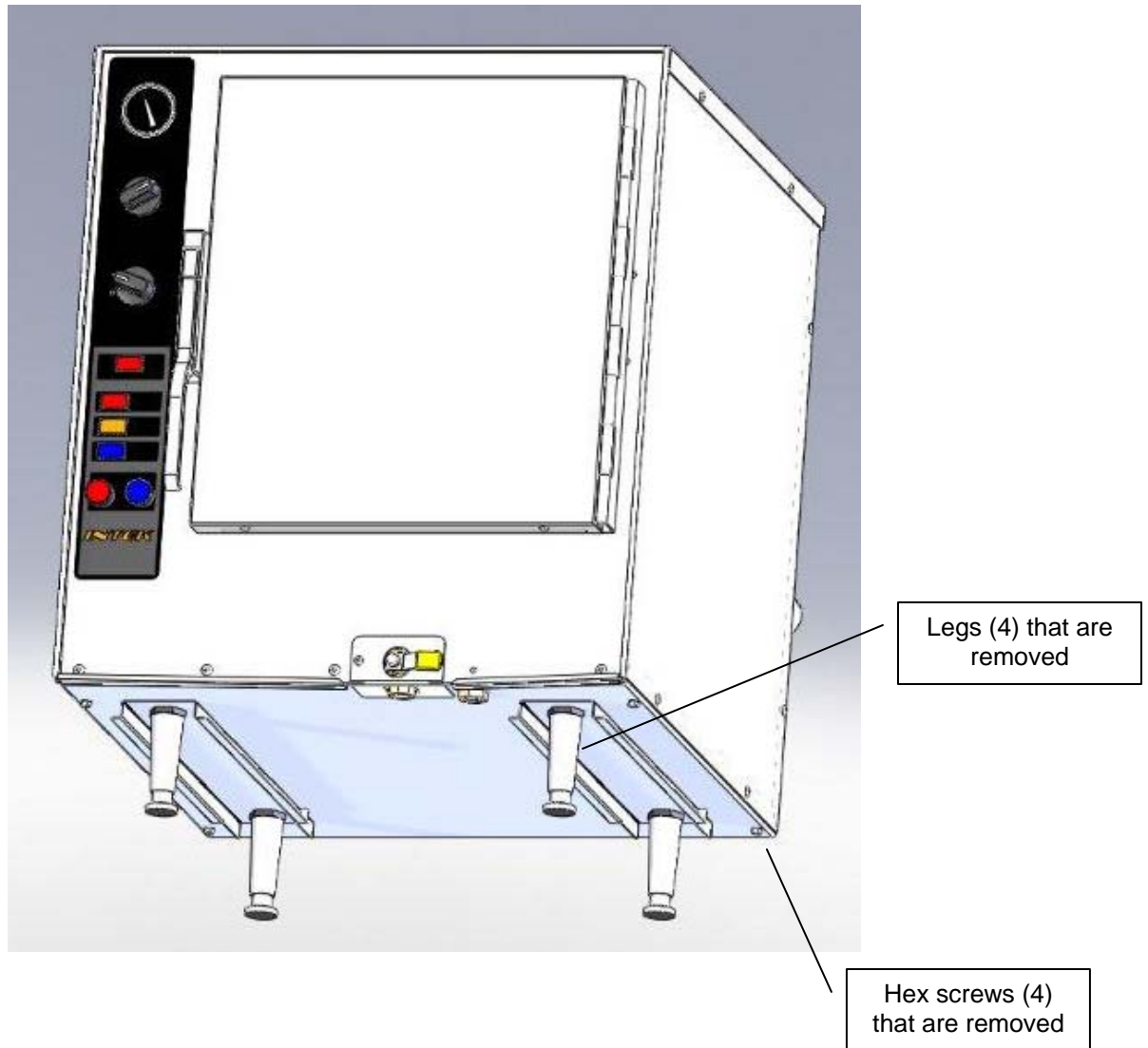
1.4 Install the four plastic end caps (Item 3) in the top of the stand legs (Item 1) as shown. Install the four bullet foot inserts (Item 8) in the bottom of the legs as shown. The plugs and feet install with a gentle tap from a mallet.

1.5 Use the 48 hole plugs ((Item 7) to close off any unused mounting holes in the steamer stand legs, as shown.

1.6 If the stand is to have casters or flanged feet, they are supplied in separate kits. See the instructions provided and install the casters or flanged feet in place of the bullet feet.

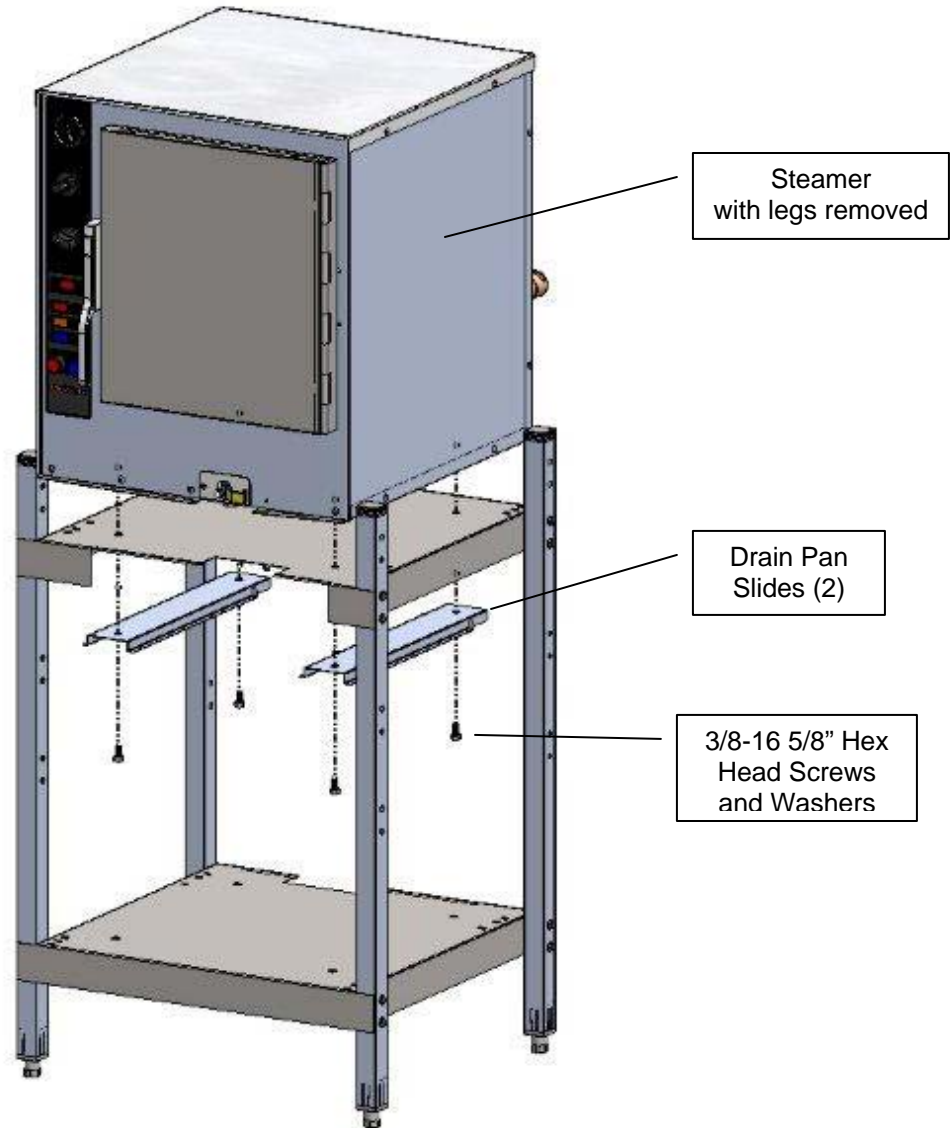
## 2.0 Steamer Installation

2.1 Prepare the Intek steamer by loosening and removing the four short legs and the four screws on the base. Refer to the diagram below. Set the legs aside as they will be replaced with machine screws included in the stand kit.



Item No	Part No	Description	Qty
7	129788	Plug, Hole, 9/32"	48
9	005449	Screw, Hex Head, 3/8-16 5/8"	8
10	005830	Washer, 3/8"	8

2.2 Set the Intek steamer on the stand upper shelf as shown and re-attach the drain pan rails using four 3/8-16 5/8" hex head machine screws (Item 9) and four 3/8 washers (Item 10). Start the screws into the bottom of the steamer, but do not fully tighten them until step 2.4.

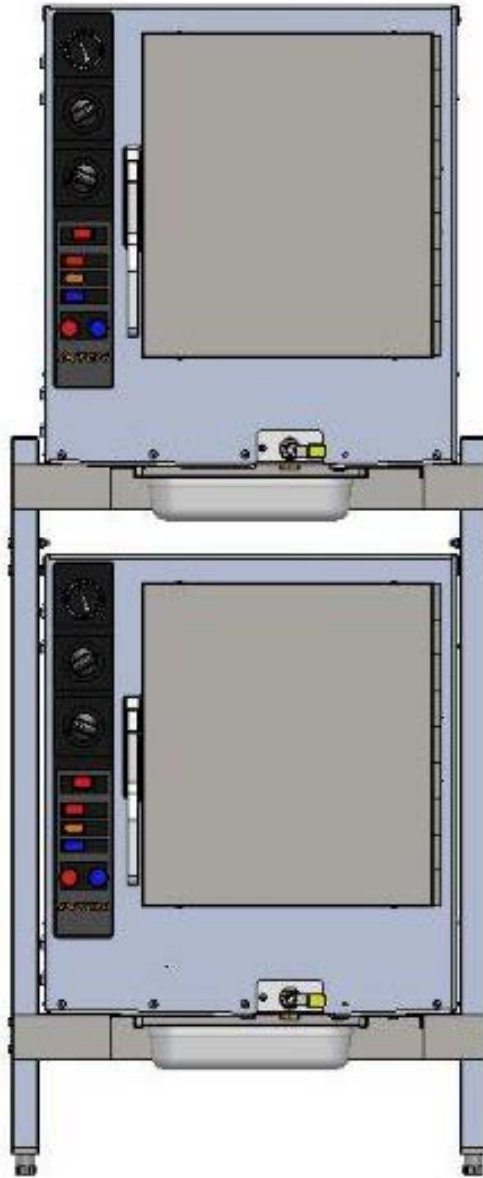


2.3 [NOTE: the following step is optional – the machine screws are not needed for structural integrity of the steamer or the stand.]

Reinstall the four smaller hex head machine screws that were removed from the underside of the steamer through the holes in the edges of the stand shelf. Two screws are used on the left and on the right underside of the steamer. There are 6 holes on each side of the shelf to match the patterns on the three Intek Steamer models (4-Pan and 6-Pan electric; and 5-Pan gas).

2.4 Tighten all four screws holding the drain pan rails to the shelf. Install hole plugs in any unused holes in the shelf that are visible after the steamer has been attached.

2.5 If a second steamer is provided, install it on the lower shelf in the same manner as the first, using steps 2.1 through 2.4.



2.6 Note that the steamers mount directly to the shelves and the drain pans (standard 12 x 20 x 4" hotel pan) slide into the rails mounted underneath the shelves.