

Haier

User Manual
Guide de l'utilisateur
Manual del usuario

HA10TG31SS
HA10TG31SB
HA10TG31SW

Frost-Free Refrigerator/Freezer

Frost-Libérent

Réfrigérateur/Congélateur

Frost-Libera

Refrigerador/Congelador



49-60782 09-17 GEA

TABLE OF CONTENTS

REFRIGERATOR SAFETY	4
Proper Disposal of Your Old Refrigerated Appliance	5
PARTS AND FEATURES	6
INSTALLATION REQUIREMENTS	7
Location Requirements	7
Connecting Electricity	8
INSTALLATION INSTRUCTIONS	9
Unpacking Refrigerator	9
Leveling Refrigerator	10
Proper Air Circulation	10
Door Alignment	11
Reverse Door Swing	11
Reinstallation	12
REFRIGERATOR USE	13
Adjustable Temperature Dial	13
Refrigerator Section Interior Light	13
Frost-Free Refrigerator-Freezer	13
Refrigerator Interior Shelves	13
Crispers and Crisper Cover	14
Removing or Replacing the Crisper Cover	14
REFRIGERATOR CARE	15
Interior Cleaning	15
Exterior Cleaning	15
LED Lighting Replacement	15
Power Interruptions	16
Vacation	16
Moving	16
TROUBLESHOOTING	17
Normal Operating Sounds	17
Troubleshooting	18
LIMITED WARRANTY	21
RECORD KEEPING	22

REFRIGERATOR SAFETY

IMPORTANT SAFETY INSTRUCTIONS

▲ WARNING To reduce the risk of fire, electrical shock, injury to persons, or damage when using the refrigerator, follow basic precautions, including the following:

- This refrigerator must be properly installed and located in accordance with the Installation Instructions before it is used.
- Unplug the refrigerator before making repairs or cleaning.

NOTE: Power to the refrigerator cannot be disconnected by any setting on the control panel.

NOTE: Repairs must be performed by a qualified Service Professional.
- Replace all parts and panels before operating.
- Do not store or use gasoline or other flammable vapors and liquids in the vicinity of this or any other appliance.
- Do not store explosive substances such as aerosol cans with a flammable propellant in this appliance.
- Do not use an extension cord.
- To prevent suffocation and entrapment hazards to children, remove the fresh food and freezer doors from any refrigerator before disposing of it or discontinuing its use.
- To avoid serious injury or death, children should not stand on, or play in or with the appliance.
- Children and persons with reduced physical, sensory or mental capabilities or lack of experience and knowledge can use this appliance only if they are supervised or have been given instructions on safe use and understand the hazards involved.
- This appliance is intended to be used in household and similar applications such as: staff kitchen areas in shops, offices and other working environments; farm houses; by clients in hotels, motels, bed & breakfast and other residential environments; catering and similar non-retail applications.

▲ CAUTION To reduce the risk of injury when using your refrigerator, follow these basic safety precautions.

- Do not clean refrigerator with warm water when it is cold. Components may break if exposed to sudden temperature changes or impact, such as bumping or dropping.
- Keep fingers out of the “pinch point” areas; clearances between the lid and cabinet are necessarily small. Be careful closing doors when children are in the area.
- Do not touch the cold surfaces in the refrigerator compartment when hands are damp or wet, skin may stick to these extremely cold surfaces.
- Do not refreeze frozen foods which have thawed completely.

REFRIGERATOR SAFETY

STATE OF CALIFORNIA PROPOSITION 65 WARNINGS:

▲ WARNING This product contains one or more chemicals known to the State of California to cause cancer and birth defects or other reproductive harm.

▲ WARNING **EXPLOSION HAZARD Flammable Refrigerant**

This appliance contains isobutane refrigerant, R600a, a natural gas with high environmental compatibility. However, it is also combustible. Adhere to the warnings below to reduce the risk of injury or property damage.

- 1) When handling, installing and operating the appliance, care should be taken to avoid damage to the refrigerant tubing.
- 2) Service shall only be performed by authorized service personnel. Use only manufacturer-authorized service parts."
- 3) Dispose of refrigerator in accordance with Federal and Local Regulations. Flammable refrigerant and insulation material used require special disposal procedures. Contact your local authorities for the environmentally safe disposal of your refrigerator.
- 4) Keep ventilation openings in the appliance enclosures or in the built-in structure clear of obstruction.
- 5) Do not use mechanical devices or other means to accelerate the defrosting process.
- 6) Do not damage refrigerant circuit.
- 7) Do not use electrical appliances inside the food storage compartment of the appliance.

PROPER DISPOSAL OF YOUR OLD APPLIANCE

▲ WARNING **SUFFOCATION AND ENTRAPMENT HAZARD**

Failure to follow these disposal instructions can result in death or serious injury.

IMPORTANT: Child entrapment and suffocation are not problems of the past. Junked or abandoned appliances are still dangerous even if they will sit for "just a few days." If you are getting rid of your old appliance, please follow the instructions below to help prevent accidents.

Before You Throw Away Your Old Appliance:

- Take off the doors.
- Leave the shelves in place so that children may not easily climb inside.

REFRIGERATOR SAFETY

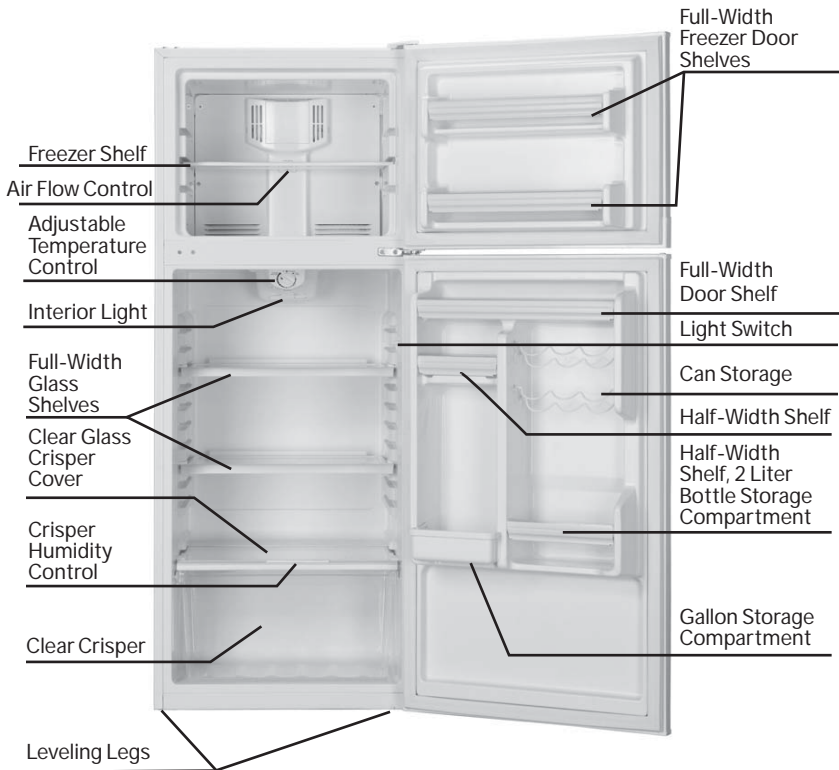
PROPER DISPOSAL OF YOUR OLD APPLIANCE (Cont.)

Refrigerant and Foam Disposal:

Dispose of refrigerator in accordance with Federal and Local Regulations. Flammable refrigerant and insulation material used require special disposal procedures. Contact your local authorities for the environmentally safe disposal of your refrigerator.

READ AND SAVE THESE INSTRUCTIONS

PARTS AND FEATURES



INSTALLATION REQUIREMENTS

LOCATION REQUIREMENTS

⚠ WARNING



Explosion and Fire Hazard

Keep flammable materials and vapors, such as gasoline, away from appliance.

Failure to do so can result in death, explosion or fire.

IMPORTANT: This refrigerator is designed for freestanding installation only. It should not be recessed or built-in an enclosed cabinet. To ensure your refrigerator works at optimum efficiency, you should install it in a location where there is proper air circulation, and electrical connections.

LOCATION REQUIREMENTS

- Do not install the refrigerator where the temperature will go below 60°F (16°C) because it will not run often enough to maintain proper temperatures.
- Do not install the refrigerator where the temperature will go above 100°F (37°C) because it will not perform properly.
- Install it on a floor strong enough to support it fully loaded.
- Do not install the refrigerator in a location exposed to water (rain, etc.) or direct sunlight.

INSTALLATION REQUIREMENTS

CONNECTING ELECTRICITY

⚠ WARNING**ELECTRICAL SHOCK HAZARD**

Plug into a grounded 3-prong outlet.

Do not remove the ground prong.

Do not use an adapter.

Do not use an extension cord.

Failure to follow these instructions can result in death, fire, or electrical shock.

Do not, under any circumstances, cut or remove the third (ground) prong from the power cord. For personal safety, this appliance must be properly grounded.

The power cord of this appliance is equipped with a 3-prong (grounding) plug which mates with a standard 3-prong (grounding) wall outlet to minimize the possibility of electric shock hazard from this appliance.

Have the wall outlet and circuit checked by a qualified electrician to make sure the outlet is properly grounded.

Where a standard 2-prong wall outlet is encountered, it is your personal responsibility and obligation to have it replaced with a properly grounded 3-prong wall outlet.

The refrigerator should always be plugged into its own individual electrical outlet which has a voltage rating that matches the rating plate.

A 115 Volt AC, 60 Hz, 15- or 20-amp fused, grounded electrical supply is required. This provides the best performance and also prevents overloading house wiring circuits which could cause a fire hazard from overheated wires.

Never unplug your refrigerator by pulling on the power cord. Always grip plug firmly and pull straight out from the outlet.

Immediately discontinue use of a damaged supply cord. If the supply cord is damaged, it must be replaced by a qualified service professional with an authorized service part from the manufacturer.

When moving the refrigerator away from the wall, be careful not to roll over or damage the power cord.

INSTALLATION INSTRUCTIONS

UNPACKING REFRIGERATOR

⚠ WARNING



Explosion and Fire Hazard

Do not puncture refrigerant tubing.

Follow handling instructions carefully.

Flammable refrigerant used.

Failure to do so can result in death, explosion or fire.

IMPORTANT: Handle with care when moving refrigerator to avoid either damaging the refrigerant tubing or increasing the risk of a leak.

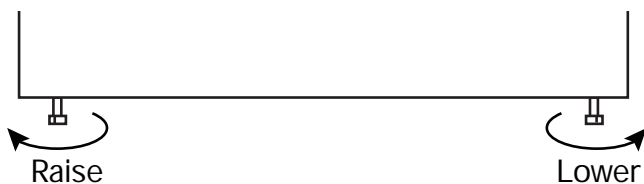
IMPORTANT: When moving the refrigerator, never tilt it more than a 45° angle. This could damage the compressor and the sealed system. If the refrigerator has been placed in a horizontal position for any period of time, wait 24 hours before plugging in the refrigerator to allow the refrigerant to settle.

1. Remove all packaging material. This includes the corrugated base and all adhesive tape holding the refrigerator accessories inside and outside.
2. Inspect and remove any remains of packing, tape or printed materials before powering on the refrigerator.
3. If your refrigerator comes with smooth or stainless steel doors, please remove the clear film before turning it on for the first time. When removing the film, do not pull the film straight down as this could result in misaligned doors.
4. It is normal for the freezer door to be positioned slightly higher than the top of the cabinet when the refrigerator is first installed. This positioning is done at the factory to ensure a proper gasket seal once the door is weighted with food items.

INSTALLATION INSTRUCTIONS

LEVELING REFRIGERATOR

- Your refrigerator has two leveling legs that are located in the front bottom corners of your refrigerator. After properly placing your refrigerator under its final position, you can level your refrigerator.
- Leveling legs can be adjusted by turning them clockwise to raise your refrigerator or by turning them counterclockwise to lower your refrigerator. The refrigerator door will close easier when the leveling legs are extended.



PROPER AIR CIRCULATION

- To ensure your refrigerator works at the maximum efficiency it was designed for, you should install it in a location where there is proper air circulation, plumbing and electrical connections. Your refrigerator is not designed to operate in temperatures below 60°F (16°C) or above 100°F (37°C).
- Do not install your refrigerator in any location not properly insulated or heated, e.g. garage, etc. Keep out of direct sunlight and away from heating sources such as radiators, heaters, and cooking appliances.
- The following are recommended clearances around the refrigerator:

Sides.....1" (25 mm) Top.....1" (25 mm)
 Back.....2" (50mm)

INSTALLATION INSTRUCTIONS

DOOR ALIGNMENT

Freezer Door

1. Remove hinge cover screw. (Fig 1.)
2. Remove the top hinge cover.
3. Loosen the top hinge screws using a Phillips head screwdriver.
4. Adjust the door or put a spacer in between and then tighten the screws.
5. Replace the top hinge cover.

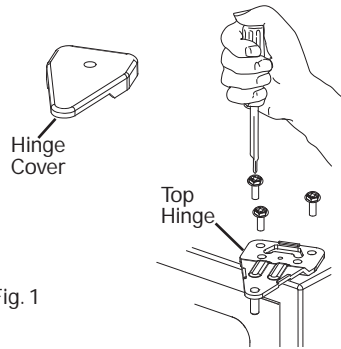


Fig. 1

REVERSE DOOR SWING

⚠ WARNING

Follow all steps when reversing the door swing. Failure to follow these instructions, leaving off parts, or overtightening screws, can lead to the door falling off and result in injury and property damage.

Left/right door opening method:

This product allows you to reverse the door opening from left to right and back. You can select your preference of door opening by following the procedure to make the change.

Dismantling: (See Figs. 1 & 2)

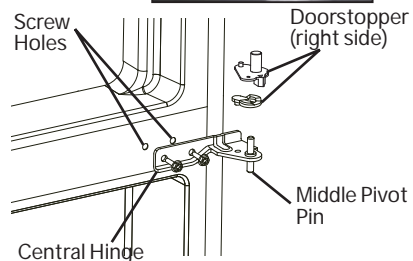
1. Affix refrigerator and freezer door by sticking adhesive tape on both sides to hold doors in place.
2. As shown in Fig. 1, dismantle the hinge cover on the upper part of freezer door with a Phillips head screwdriver. Then remove the three screws that hold the hinge. Take out the hinge by pulling it vertically, and keep it in a safe place.
3. Remove the adhesive tape on freezer door, lift it and take off the door, and carefully put it aside.
4. Dismantle two screws of the central hinge, lift it and take off the central

hinge, and keep them in a safe place. (See Fig. 2)

5. Remove the adhesive tape on refrigerator door, lift it and take refrigerator door, and carefully put it aside.
6. Remove the doorstoppers from the refrigerator and freezer doors.
7. Insert left side doorstopper (provided in your packing) on the left side bottom hole of the refrigerator door and on the left side bottom hole of the freezer door. Fasten with screws provided.



Fig. 2



INSTALLATION INSTRUCTIONS

REINSTALLATION

1. Remove the lower pivot pin from the lower hinge by turning counter clockwise. Move the pin to the opposite hole and tighten. (see Fig. 3 and Fig. 4)
2. Tilt refrigerator on a 45-degree angle to have access to the bottom front.

CAUTION Two People Required

3. Remove both left and right front feet from bottom.
4. Loosen the screws holding the bottom hinge and remove it. (see Fig. 4)
5. Align the holes in the bottom hinge to the corresponding holes on the opposite side of the cabinet. Insert and tighten the screws. Reinstall both front feet.
6. To install refrigerator door: Line up the left bottom hole of the refrigerator compartment door over the bottom hinge pin. Move door forward to make it straight and align with central hinge. Install the central hinge again, and turn the hinge axle until it completely enters the door body. Secure it with the screws provided. (see Fig. 5)

NOTE: Remove plugs from doorframe and install on other side.

7. To install freezer door: Line up left bottom hole of the door over the central hinge middle pin. Move door forward to make it straight and align with freezer compartment. Place the hinge cover over the left side of the top hinge, align holes with hole on the refrigerator top and tighten with the screws provided.

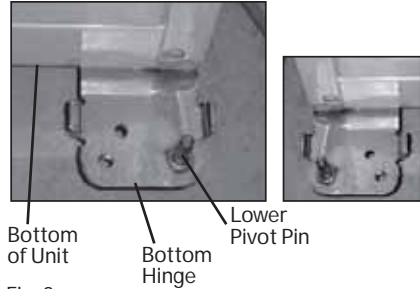


Fig. 3

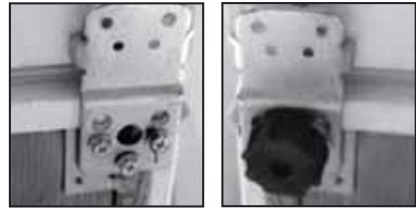


Fig. 4

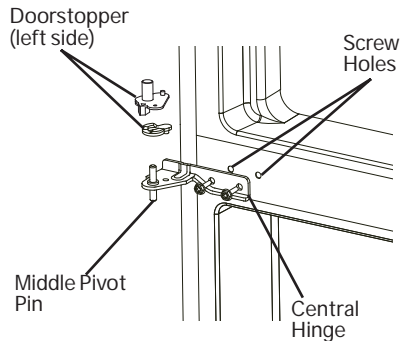


Fig. 5

REFRIGERATOR USE

ADJUSTABLE TEMPERATURE DIAL

Your refrigerator will automatically maintain the temperature level you select. The temperature control has 7 settings. COLD is the warmest setting. COLDER is the coldest setting. Unplugging the unit stops the cooling in both the refrigeration and freezer sections. At first, set the dial to the 4th indicator marking (middle setting), and allow 24 hours to pass before adjusting the temperature to your needs.

To adjust the temperature range in the cold setting, turn the temperature dial in a clockwise direction. For normal operating conditions, keep the dial halfway between cold and coldest. For your convenience, the factory presets the control at normal operating conditions.

NOTE: If the refrigerator has been placed in a horizontal or tilted position for any period of time wait 24 hours before plugging the unit in.

FREEZER SECTION

Your freezer compartment is equipped with adjustable airflow control. For your convenience, airflow is preset by the factory to the colder setting. There is also an option to adjust the settings, either to cold or to coldest.

REFRIGERATOR SECTION INTERIOR LIGHT

Your refrigerator is equipped with an interior light in the fresh food section for you to easily locate your food.

FROST- FREE REFRIGERATOR-FREEZER

You should never need to defrost your freezer, as it automatically defrosts any ice build-up that may occur.

▲ DANGER



RISK OF FIRE

OR EXPLOSION

Flammable refrigerant used. Do not use mechanical devices to defrost refrigerator or freezer. Do not puncture refrigerant tubing.

REFRIGERATOR INTERIOR SHELVES

(Shelves may vary by model)

The shelves of your refrigerator were designed with you in mind. Their varied adjustability allows you to satisfy your personal storage needs.

To remove or adjust a full-width slide-out shelf: (see Fig. 6)

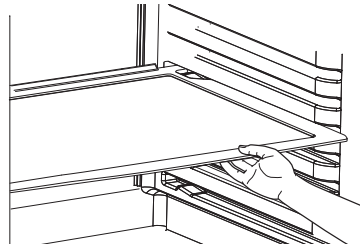


Fig. 6

REFRIGERATOR USE

CRISPERS AND CRISPER COVER

To remove and install the crisper: (see Fig. 7)

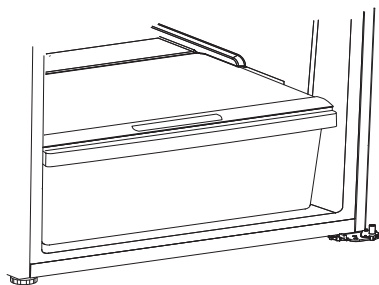


Fig. 7

1. Grip the crisper firmly and slide out completely.
2. Replace the crisper by placing the crisper properly in position and gently sliding it back into place.

Your refrigerator may be equipped with a slide control to raise or lower the humidity levels or your crispers. This feature will increase the storage life of your fruits and vegetables. Simply adjust the controls to the appropriate setting for items you are storing in the crispers. Low settings allow moist air to exit the crisper, for optimum storage of fruit and/or vegetables that have skins. High settings retains moist air in the crisper, for optimum storage of leafy fresh vegetables.

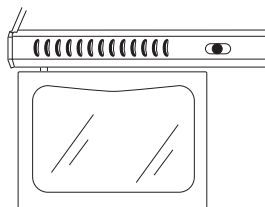


Fig. 8

REMOVING OR REPLACING THE CRISPER COVER

1. Carefully grasp the crisper cover and slide out to remove. (Fig. 9)

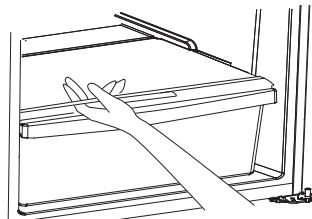


Fig. 9

2. To replace, slide the rear of the crisper cover into the right and left slots above the crisper area and gently slide back into place.

REFRIGERATOR CARE

⚠ WARNING

Before cleaning your refrigerator, ALWAYS unplug it from the power source. Failure to heed this warning could result in injury or death from electric shock.

NOTE: Before using any cleaning products, be sure to read the manufacturer's instructions and warnings. This will help avoid personal injury or damage to property.

INTERIOR CLEANING

Prepare a cleaning solution of 3-4 tablespoons of baking soda mixed with warm water. Use a sponge or soft cloth, dampened with the cleaning solution, to wipe the inside of your refrigerator.

Avoid cleaning any cold glass (shelves, crisper cover glass, etc.) with hot water. The glass can break and cause personal injury. Handle all glass parts with care at all times.

Do not attempt to wash any parts in a dishwasher.

Do not use harsh chemicals, ammonia, chlorine bleach, concentrated detergent, solvents, abrasives or metal scouring pads to clean your refrigerator, inside or out. They can damage and/or discolor the refrigerator finish.

EXTERIOR CLEANING

Use a clean, soft, lightly dampened cloth with kitchen appliance wax or a mild detergent to clean the exterior of the refrigerator.

Use a clean, soft, lightly dampened cloth with warm soapy water to clean the handles and trim. Use a clean, soft towel to dry.

For stainless steel models, use a dry cloth and stainless steel polish.

Door gaskets should be cleaned every three months following the instructions for interior cleaning. Clean gaskets will maintain a better seal than dirty gaskets. Lightly apply petroleum jelly to the hinge side of the gaskets to keep the gasket pliable and assure a good seal.

Never use a dirty cloth to clean the exterior of the refrigerator. Dirty cloths may leave residue on the refrigerator that can damage the finish. Also, avoid the use of harsh chemicals, ammonia, chlorine bleach, concentrated detergent, solvents, abrasives or metal scouring pads to clean the outside of the refrigerator.

LED LIGHTING REPLACEMENT

⚠ WARNING

Do not change the LED light by yourself. Please contact the after-sales service for replacement. Failure to heed this warning could result in injury or death from electric shock.

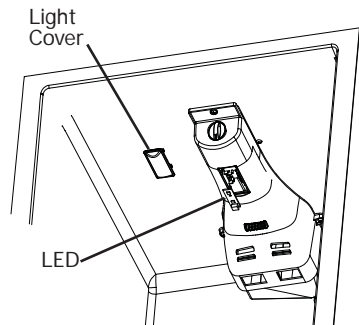


Fig. 10

REFRIGERATOR CARE

POWER INTERRUPTIONS

In the event of a power interruption, unplug your refrigerator from the power source. Avoid opening the doors until after power has been restored. Your refrigerator will maintain a cold temperature for longer if door opening is avoided or kept to a minimum.

Once power has been restored, plug your refrigerator back into the power source and inspect food in the refrigerator for spoilage or thawing. Cleaning your refrigerator after a prolonged power outage is strongly recommended to avoid odors and potential health hazards due to thawing.

VACATION

For long vacations or absences, unplug your refrigerator and remove all food from it. Clean the refrigerator, including the gaskets, according to the Proper Care and Maintenance section. Leave the doors propped open to allow air to circulate inside the refrigerator.

MOVING

Before moving your refrigerator, empty the food from it and use adhesive tape to secure all loose items such as shelves, door bins and racks, crispers and pans, etc. Unplug the refrigerator. Always move the refrigerator in an upright position in order to avoid damaging the sealed refrigerant system.

TROUBLESHOOTING

NORMAL OPERATING SOUNDS

HUMMM...
WHOOSH...

- The new high efficiency compressor may run faster and longer than your old refrigerator and you may hear a high-pitched hum or pulsating sound while it is operating.
- You may hear a whooshing sound when the doors close. This is due to pressure equalizing within the refrigerator.

CLICKS, POPS, CRACKS and SNAPS

- You may hear cracking or popping sounds when the refrigerator is first plugged in. This happens as the refrigerator cools to the correct temperature.
- Expansion and contraction of cooling coils during and after defrost can cause a cracking or popping sound.
- On models with an ice maker, after an ice making cycle, you may hear the ice cubes dropping into the ice bucket.
- On models with a dispenser, during water dispense, you may hear the water lines move at initial dispense and after dispenser button is released.

WHIR!



- You may hear the fans spinning at high speeds. This happens when the refrigerator is first plugged in, when the doors are opened frequently or when a large amount of food is added to the refrigerator or freezer compartments. The fans are helping to maintain the correct temperatures.
- The fans change speeds in order to provide optimal cooling and energy savings.

WATER SOUNDS



- The flow of refrigerant through the cooling coils may make a gurgling noise like boiling water.
- Water dropping on the defrost heater can cause a sizzling, popping or buzzing sound during the defrost cycle.
- A water dripping noise may occur during the defrost cycle as ice melts from the evaporator and flows into the drain pan.
- Closing the door may cause a gurgling sound due to pressure equalization.

If the refrigerator has been placed in a horizontal position for any period of time, wait 24 hours after returning it to the upright position before plugging it in.

IMPORTANT

During the automatic defrost cycle, you may notice a red glow in the vents on the back wall of your freezer compartment. This is normal during the defrost cycle.

TROUBLESHOOTING

First try the solutions suggested here to possibly avoid the cost of a service call.

PROBLEM	POSSIBLE CAUSE(S)	SOLUTION
Refrigerator does not run.	Refrigerator is unplugged.	Plug refrigerator into power source
	The circuit breaker is tripped/ turned off or the fuse is blown.	Reset/ Turn on circuit breaker or replace fuse.
	Refrigerator is in defrost mode	Wait about 30 minutes for defrost cycle to end and cooling system to restart
Refrigerator or freezer is too warm	Temperature control is not set low enough	Turn temperature knob clockwise to adjust to a lower temperature; allow 24 hours to adjust
	Doors opened frequently or left open	Keep door closed / Check that a package isn't preventing door from closing
	Warm food added recently	Allow time for food and refrigerator to cool
	Items against back of compartments are blocking proper airflow	Store items only inside the trim of the glass shelves; don't place items against sides of the compartments or directly in front of any vents
	Refrigerator is in adaptive defrost mode	This is normal. Defrost cycle lasts about 30 minutes
Refrigerator or freezer is too cold	Temperature control is set too low	Turn knob counter-clockwise to change to a warmer setting; allow 24 hours to adjust
Refrigerator compressor runs frequently or for long periods of time	Normal when first plugged in	Allow 24 hours for the refrigerator to cool down
	Warm or large amounts of food added	This is normal
	Door is left open	Ensure that door is not being held open by an item
	Hot weather or frequent openings	This is normal
	Temperature control set to coldest setting	Adjust knob to a warmer setting
Moisture on exterior/interior of refrigerator	High humidity	This is normal; Dry surface and adjust temperature knob to slightly colder setting
	Doors opened frequently or left open	Keep door closed / Check that a package isn't preventing door from closing
	Open container of water in refrigerator	Cover or seal container

TROUBLESHOOTING

First try the solutions suggested here to possibly avoid the cost of a service call.

PROBLEM	POSSIBLE CAUSE(S)	SOLUTION
Refrigerator has an odor	Food is not sealed or packaged properly	Re-seal packaging / Place an opened box of baking soda in the refrigerator, replace every three months
	Interior needs to be cleaned	Follow cleaning instructions in Proper Care and Maintenance section
Light does not come on	Refrigerator is unplugged	Plug refrigerator in to power source
	Light switch gets stuck	Switch located at the right of Fresh Food Compartment. Make sure it moves freely when manually pressed in and out
	LED light broken	Contact after-sale service for replacement
Frost or ice crystals on frozen food	Freezer door left open or opened frequently	Turn temperature knob counter-clockwise to change to a warmer setting; allow 24 hours to adjust
	Items blocking freezer air vents and preventing proper air flow	Move items away from rear wall
Hot or warm air from bottom of refrigerator	Air flow coming from compressor during refrigeration process	This is normal
Food freezing in refrigerator	Food placed to close the air vent	Move items away from back and top of the refrigerator
	Temperature control knob set too low	Adjust the knob counter-clockwise to a warmer setting
Freezer door pops open when closing the refrigerator door	Normal if freezer door closes afterwards on its own	This indicates a good seal if freezer door closes on its own
	If freezer doesn't close on its own after popping open, adjust leveling legs	See leveling leg feature instructions in Installing Your Refrigerator section
Door does not close properly	Refrigerator isn't level	See leveling leg feature instructions in Installing Your Refrigerator section
	Something is obstructing door closure	Check for and remove obstructions
Vibration or rattling	Refrigerator is not resting firmly on floor	See leveling leg feature instructions in Installing Your Refrigerator section

NOTES

LIMITED WARRANTY

12 Months on Parts and Labor

For 12 months from the date of original retail purchase, GE Appliances will replace any part of the refrigerator that fails due to a defect in materials or workmanship. GE Appliances will choose, at its discretion, to replace or service the defective unit. Should GE Appliances decide to service the unit, GE Appliances will provide any part which fails due to a defect in materials or workmanship free of charge, along with any labor and related service costs to replace the defective part. During this period, should GE Appliances choose to replace the unit, it may do so by providing you with a certificate redeemable at a retailer for a replacement product.

Product must be accessible, without encumbrance and installed properly to receive warranty repair service.

NOTE: This warranty commences on the date the item was purchased, and the original purchase receipt must be presented to the authorized service representative before warranty repairs are rendered.

FOR WARRANTY SERVICE

For US Customers, all warranty service must be performed by our Factory Service centers or an authorized Customer Care Technician. To schedule service, call 1-877-337-3639.

Please have serial number and model number available when calling for service.

In Canada, call 1.877.470.9174.

What is not covered by this warranty:

- Service trips to your home to teach you how to use the product.
- Improper installation, delivery, or maintenance.
- Failure of the product if it is abused, misused, or used for other than the intended purpose or used commercially.
- Loss of food due to spoilage.
- Damage caused after delivery.
- Replacement of house fuses or resetting of circuit breakers.
- Replacement of the light bulbs.
- Damage to the product caused by accident, fire, floods or acts of God.
- Incidental or consequential damage caused by possible defects in this appliance.
- Product not accessible to provide required service.
- Associated costs when GE Appliances chooses to issue the consumer a certificate as a form of product replacement.

EXCLUSION OF IMPLIED WARRANTIES - Your sole and exclusive remedy is product repair as provided in this Limited Warranty. Any implied warranties, including the implied warranties of merchantability or fitness for a particular purpose, are limited to one year or the shortest period allowed by law.

LIMITED WARRANTY

For US Customers: This warranty is extended to the original purchaser and any succeeding owner for products purchased for home use within the USA. If the product is located in an area where service by a GE Appliances Authorized Servicer is not available, you may be responsible for a trip charge or you may be required to bring the product to an Authorized GE Appliances Service location for service. In Alaska, the warranty excludes the cost of shipping or service calls to your home.

Some states do not allow the exclusion or limitation of incidental or consequential damages. This warranty gives you specific legal rights, and you may also have other rights which vary from state to state. To know what your legal rights are, consult your local or state consumer affairs office or your state's Attorney General.

Warrantor US:
GE Appliances, a Haier company

For Customers in Canada: This warranty is extended to the original purchaser and any succeeding owner for products purchased in Canada for home use within Canada. In-home warranty service will be provided in areas where it is available and deemed reasonable by Mabe to provide.

Warrantor Canada:
MC Commercial, Burlington, Ontario,
L7R 5B6

RECORD KEEPING

Thank you for purchasing this Haier product. This user manual will help you get the best performance from your new refrigerator.

For future reference, record the model number, serial number, and the date of purchase. The model/serial number plate is located on the inside wall of the refrigerator.

Staple your proof of purchase to this manual to aid in obtaining warranty service if needed.

Model number

Serial number

Date of purchase

TABLE DES MATIÈRES

SÉCURITÉ DU RÉFRIGÉRATEUR	24
Mise au rebut de votre ancien réfrigérateur	25
PIÈCES ET CARACTÉRISTIQUES	26
EXIGENCES D'INSTALLATION	27
Exigences d'emplacement	27
Branchements électriques	28
INSTRUCTIONS D'INSTALLATION	29
Déballage du réfrigérateur	29
Nivellement du réfrigérateur	30
Circulation d'air adéquate	30
Alignement de la porte	31
Inversion du sens d'ouverture de la porte	31
Réinstallation	32
UTILISATION DU RÉFRIGÉRATEUR	33
Cadran de température réglable	33
Lampe intérieure du compartiment réfrigérateur	33
Réfrigérateur-congélateur sans givre	33
Tablettes intérieures du réfrigérateur	33
Bacs à légumes et couvercles	34
Pour retirer et installer le bac à légumes	34
ENTRETIEN DU RÉFRIGÉRATEUR	35
Nettoyage de l'intérieur	35
Nettoyage de l'extérieur	35
Remplacement de la lampe DEL	36
Pannes de courant	36
Vacances	36
Déménagement	36
DÉPANNAGE	37
Bruits de fonctionnement normaux	37
Dépannage	38
GARANTIE LIMITÉE	41
DOCUMENTS À CONSERVER	42

SÉCURITÉ DU RÉFRIGÉRATEUR

CONSIGNES DE SÉCURITÉ IMPORTANTES

▲ AVERTISSEMENT Pour réduire le risque d'incendie, d'explosion, de choc électrique ou de blessures lorsque vous utilisez votre réfrigérateur, veuillez suivre ces consignes de sécurité :

- Ce réfrigérateur doit être correctement installé conformément aux Consignes d'Installation avant toute utilisation.
- Débranchez le réfrigérateur avant d'effectuer une réparation, de remplacer une ampoule ou de le nettoyer.
REMARQUE : L'alimentation du réfrigérateur ne peut être déconnectée par aucune des fonctions sur le panneau de commande.
REMARQUE : Les réparations doivent être effectuées par un professionnel qualifié.
- Remettez toutes les pièces et panneaux en place avant d'utiliser l'appareil.
- Ne stockez pas ou n'utilisez pas d'essence ou d'autres vapeurs et liquides inflammables à proximité de cet appareil ou de tout autre appareil électroménager.
- Remettez toutes les pièces et panneaux en place avant d'utiliser l'appareil.
- Ne stockez pas ou n'utilisez pas d'essence ou d'autres vapeurs et liquides inflammables à proximité de cet appareil ou de tout autre appareil électroménager.
- Ne pas utiliser de rallonge.
- Avant de jeter l'appareil ou de le rendre inutilisable, retirer la porte. Cela réduira la possibilité de danger pour les enfants.
- Afin de prévenir les accidents graves ou la mort, les enfants ne doivent pas se tenir ni jouer dans ou sur l'électroménager.
- Les enfants et les personnes dont les capacités sont réduites sur le plan physique, sensoriel ou mental, ou qui manquent d'expérience ou de connaissances, peuvent utiliser cet électroménager seulement si elles sont surveillées ou ont reçues des consignes de sécurité sur son usage et les risques y sont associés.
- Cet électroménager est conçu pour une utilisation domestique et applications similaires : salle du personnel dans une usine, un bureau ou d'autres lieux de travail; maison de ferme; clients dans un hôtel, un motel, un gîte touristique et d'autres lieux résidentiels; approvisionnement et applications similaires non reliés au commerce de détail.

▲ ATTENTION Pour réduire le risque de blessures lorsque vous utilisez votre réfrigérateur, veuillez suivre ces consignes de sécurité.

- Ne nettoyez pas les clayettes ou les couvercles en verre avec de l'eau tiède quand ceux-ci sont froids. Les clayettes et couvercles en verre peuvent se casser s'ils sont exposés à des changements soudains de température ou si vous les cognez ou les faites tomber. Le verre trempé est conçu pour se briser en petits morceaux en cas de casse.
- Éloignez les doigts des parties du congélateur où l'on peut facilement se pincer : les espaces entre les portes, et entre les portes et les placards sont toujours étroits. Soyez prudent lorsque vous fermez les portes en présence d'enfants.
- Ne touchez pas les surfaces froides du congélateur lorsque vous avez les mains humides ou mouillées. La peau risque d'adhérer à ces surfaces extrêmement froides.
- Ne recongelez pas les aliments surgelés qui ont complètement dégelé.

SÉCURITÉ DU RÉFRIGÉRATEUR

AVERTISSEMENTS DE LA PROPOSITION 65 DE L'ÉTAT DE LA CALIFORNIE:

▲ AVERTISSEMENT

Ce produit contient une ou plusieurs substances chimiques reconnues par l'État de Californie pour causer le cancer et des anomalies congénitales ou d'autres problèmes liés à la reproduction.

▲ AVERTISSEMENT



RISQUE D'EXPLOSION

Fluide frigorigène inflammable

Cet électroménager contient le réfrigérant isobutane, R600a, un gaz naturel à compatibilité élevée avec l'environnement. Il s'agit cependant d'un combustible. Observez les consignes de sécurité ci-dessous afin de réduire le risque de blessure ou de dommage à la propriété.

- 1) Lors de la manipulation, de l'installation et de l'utilisation de cet appareil, prenez soin de ne pas endommager les tubes de circulation du fluide frigorigène.
- 2) L'entretien ou la réparation doivent être effectués par un personnel de service autorisé. Utilisez seulement des pièces de rechange autorisées par le fabricant.
- 3) Mettez le réfrigérateur au rebut conformément aux réglementations fédérales et locales. Le fluide frigorigène inflammable et le matériel isolant utilisés nécessitent des procédures de mise au rebut spéciales. Communiquez avec les autorités locales compétentes pour la mise au rebut de votre réfrigérateur sans danger pour l'environnement.
- 4) N'obstruez pas les événements dans l'enceinte prévue pour l'appareil.
- 5) N'utilisez pas d'appareils ou autres moyens mécaniques pour accélérer le processus de dégivrage.
- 6) N'endommagez pas le circuit du fluide frigorigène.
- 7) N'utilisez pas d'appareils électriques dans le compartiment réfrigérateur de cet appareil.

MISE AU REBUT APPROPRIÉE DE VOTRE ANCIEN APPAREILS ÉLECTROMÉNAGERS

▲ AVERTISSEMENT

RISQUE DE SUFFOQUER OU D'Y ÊTRE EMPRISONNÉ

Le non-respect de ces instructions d'élimination peut entraîner la mort ou des blessures graves.

IMPORTANT: Les enfants pris au piège ou morts d'asphyxie sont toujours d'actualité. Les appareils électroménagers abandonnés sont toujours aussi dangereux, même si on n'attend que «quelques jours» pour s'en débarrasser. Si vous ne gardez pas votre ancien appareils électroménagers, veuillez suivre les directives ci-dessous afin de prévenir les accidents.

Avant de vous débarrasser de votre ancien appareil

- Ôter les porte.
- Laisser les tablettes en place de sorte que les enfants ne puissent pas y pénétrer facilement.

SÉCURITÉ DU RÉFRIGÉRATEUR

MISE AU REBUT DE VOTRE VIEIL APPAREIL (Suite)

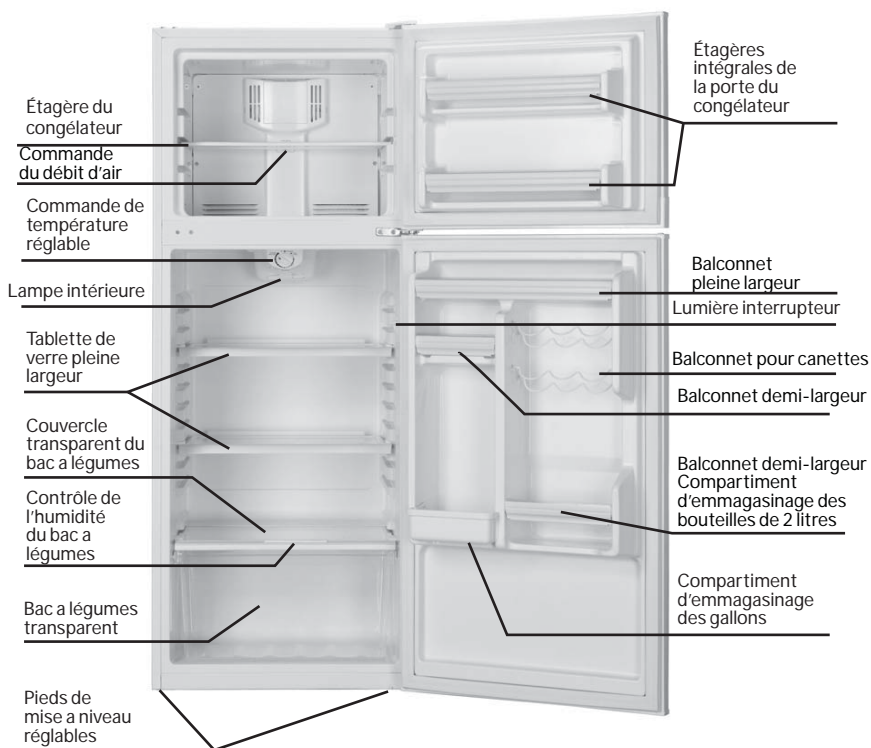
Mise au rebut des produits réfrigérants et en mousse

Mettez l'électroménager au rebut conformément à la réglementation fédérale et locale. Le fluide frigorigène inflammable et le matériel isolant utilisés nécessitent des procédures de mise au rebut spéciales. Communiquez avec les autorités locales pour connaître la façon de mettre votre électroménager au rebut qui soit respectueuse de l'environnement.

LIRE ET CONSERVER CES INSTRUCTIONS

PIÈCES ET CARACTÉRISTIQUES

FRANÇAIS



EXIGENCES D'INSTALLATION

EXIGENCES D'EMPLACEMENT

⚠ AVERTISSEMENT



Risque d'explosion ou Incendie

Garder les matériaux et les vapeurs inflammables, telles que l'essence, loin de l'appareil.

Le non-respect de cette instruction peut causer un décès, une explosion ou un incendie.

IMPORTANT : Ce réfrigérateur est conçu uniquement pour être utilisé d'une manière autoportante. Il ne doit pas être encastré ni installé dans un placard fermé. Pour vous assurer que le réfrigérateur fonctionne à son efficacité optimale, il doit être installé dans un endroit où la circulation d'air et les raccordements électriques sont appropriés.

EMPLACEMENT DU RÉFRIGÉRATEUR

- N'installez pas le réfrigérateur dans une pièce où les températures descendent en-dessous de 60°F (16°C) parce qu'il serait difficile d'y maintenir une température correcte.
- N'installez pas le réfrigérateur dans un endroit où la température ambiante sera supérieure à 100°F (37°C). Il ne fonctionnera pas correctement.
- Il doit être installé sur une surface suffisamment solide pour supporter le poids d'un réfrigérateur rempli.
- N'installez pas le réfrigérateur dans un endroit exposé à l'eau (pluie, etc.) ou directement aux rayons solaires.

EXIGENCES D'INSTALLATION

BRANCHEMENTS ÉLECTRIQUES

⚠ AVERTISSEMENT



RISQUE DE CHOC ÉLECTRIQUE

Branchez l'appareil dans une prise triple avec terre.

Ne retirez pas la broche de terre.

N'utilisez pas d'adaptateur.

N'utilisez pas un cordon de rallonge.

Le non-respect de ces instructions peut entraîner des risques d'incendies, des chocs électriques ou la mort.

Ne coupez pas ou n'enlevez pas, sous aucun prétexte, la troisième broche de mise à la terre du cordon d'alimentation. Pour des raisons de sécurité, cet appareil doit être correctement mis à la terre.

Le cordon d'alimentation de cet appareil est équipé d'une fiche à trois broches (pour une mise à la terre) qui s'adapte à la prise de courant standard à 3 broches (pour une mise à la terre) pour minimiser les risques de chocs électriques par cet appareil.

Faites vérifier la prise murale et le circuit électrique par un électricien qualifié pour s'assurer que le système est correctement mis à la terre.

Dans le cas d'une prise biphasée, l'installateur a la responsabilité et l'obligation de la remplacer par une prise triphasée correctement mise à la terre. N'utilisez pas d'adaptateur.

Le réfrigérateur doit toujours être branché à sa propre prise électrique d'une tension nominale correspondant à celle indiquée sur sa plaque signalétique.

Une alimentation électrique à 115 volts CA, 60 Hz, avec un fusible de 15 ou 20 ampères et une mise à la terre est nécessaire. Ceci permet d'obtenir un meilleur rendement et évite de surcharger les circuits électriques du domicile qui risque d'occasionner un incendie en surchauffant.

Ne branchez jamais le réfrigérateur en tirant sur le cordon d'alimentation. Prenez toujours fermement la fiche en main et tirez pour la sortir de la prise.

Cessez immédiatement d'utiliser un cordon électrique endommagé. Si le cordon électrique est endommagé, son remplacement doit être effectué par un technicien en réparation qualifié au moyen d'un cordon de rechange autorisé par le fabricant.

Lorsque vous éloignez votre réfrigérateur du mur, faites attention à ne pas le faire rouler sur le cordon d'alimentation afin de ne pas l'endommager.

INSTRUCTIONS D'INSTALLATION

DÉBALLAGE DU RÉFRIGÉRATEUR

⚠ AVERTISSEMENT



Risque d'explosion ou Incendie

Ne pas perforer le circuit frigorigène.

Suivre attentivement les instructions de manipulation.

Utilisation d'un liquide frigorigène inflammable.

Le non-respect de cette instruction peut causer un décès, une explosion ou un incendie.

IMPORTANT : Manipuler le réfrigérateur avec précautions lorsqu'il est déplacé soit pour éviter d'endommager le circuit frigorigène, soit pour diminuer le risque de fuites.

IMPORTANT : Lorsque le réfrigérateur est déplacé, ne jamais l'incliner à plus de 45°. Cela pourrait endommager le compresseur et le système scellé. Si le réfrigérateur a été placé en position horizontale pendant un moment, attendre 30 minutes avant de brancher le réfrigérateur pour que le réfrigérant se remette en place.

1. Retirer tout le matériel d'emballage. Cela comprend la base ondulée et tout le ruban adhésif qui fixe les accessoires du réfrigérateur à l'intérieur et l'extérieur.
2. Inspecter et retirer tout reste d'emballage, d'adhésif ou d'imprimés avant de mettre le réfrigérateur en marche.
3. Si le réfrigérateur est doté de portes lisses ou en acier inoxydable, veiller à retirer la pellicule transparente avant de le mettre en marche pour la première fois. Ne pas tirer la pellicule directement vers le bas afin de ne pas désaligner les portes.
4. Il est normal que la porte du congélateur soit légèrement plus haute que le dessus de la carrosserie lorsque le réfrigérateur sera installé en premier lieu. Cette hauteur est donnée à l'usine pour assurer la bonne étanchéité du joint une fois la porte chargée d'articles alimentaires.

INSTRUCTIONS D'INSTALLATION

NIVELLEMENT DU RÉFRIGÉRATEUR

- Le réfrigérateur est doté de deux pieds de nivellement situés aux coins inférieurs avant. Vous pouvez niveler le réfrigérateur une fois qu'il est placé correctement à sa position finale.
- Les pieds de nivellement peuvent être réglés en les tournant dans le sens des aiguilles d'une montre pour élever votre réfrigérateur ou en les tournant dans le sens inverse des aiguilles d'une montre pour abaisser votre réfrigérateur. La porte du réfrigérateur se ferme plus aisément avec les pieds de nivellement allongés.



CIRCULATION D'AIR ADÉQUATE

- Pour vous assurer du rendement optimal pour lequel il a été conçu, installez le réfrigérateur à un endroit où la circulation d'air, la plomberie et les connexions électriques sont adéquates. Votre réfrigérateur n'est pas conçu pour fonctionner à des températures en dessous de 16 °C (60 °F) ou au-dessus de 37 °C (100 °F).
- N'installez pas le réfrigérateur à un endroit incorrectement isolé ou chauffé, p.ex. un garage, etc. Gardez le réfrigérateur à l'écart des rayons directs du soleil et des sources de chaleur telles que radiateurs, appareils de chauffage et de cuisson.
- Les dégagements suivants sont recommandés autour du réfrigérateur :
 - Côtés..... 25 mm (1 po) Dessus 25 mm (1 po)
 - Arrière 50mm (2 po)

INSTRUCTIONS D'INSTALLATION

ALIGNEMENT DE LA PORTE

Porte du congélateur

1. Retirer la vis du couvercle de charnière (Fig. 1)
2. Enlever le couvercle de charnière supérieur
3. Desserrer les vis de charnière supérieure à l'aide d'un tournevis cruciforme.
4. Régler la porte ou placer un espaceur entre, puis serrer les vis.
5. Replacer le couvercle de charnière supérieur.

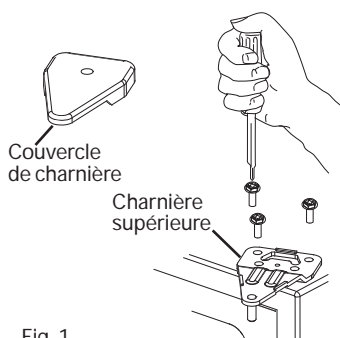


Fig. 1

INVERSION DU SENS D'OUVERTURE DE LA PORTE

⚠ AVERTISSEMENT

Suivez toutes les étapes lors du changement d'ouverture de la porte. La porte risque de tomber en plus de causer des blessures ou des dommages si vous ne respectez pas ces instructions, oubliez des pièces ou effectuez un serrage excessif des vis.

Méthode de l'ouverture de porte vers la gauche :

Ce produit permet d'inverser le sens d'ouverture de la porte de la droite vers la gauche. Vous pouvez sélectionner le sens d'ouverture que vous préférez en suivant la procédure pour faire le changement.

Démontage : (Voir les Figs 1 et 2)

1. Fixer les portes réfrigérateur et congélateur en collant du ruban adhésif des deux côtés pour tenir les portes en place.
2. Comme illustré à la Fig. 1, démonter le couvercle de charnière sur la partie supérieure de la porte du congélateur à l'aide d'un tournevis cruciforme. Retirer ensuite les trois vis qui fixent la charnière. Enlever la charnière en la tirant verticalement et la mettre dans un endroit sûr.
3. Retirer le ruban adhésif sur la porte congélateur, soulever la porte et

l'enlever, puis la mettre de côté avec précaution.

4. Retirer les deux vis de la charnière centrale, soulever et dégager la charnière centrale, puis la mettre dans un endroit sûr. (Voir la Fig. 2)
5. Retirer le ruban adhésif sur la porte réfrigérateur, soulever la porte et l'enlever, puis la mettre de côté avec précaution.
6. Enlever les butées de porte des portes réfrigérateur et congélateur.
7. Insérer la butée côté gauche (fournie dans l'emballage) dans le trou inférieur gauche de la porte réfrigérateur et dans le trou inférieur gauche de la porte congélateur. Fixer avec les vis fournies.

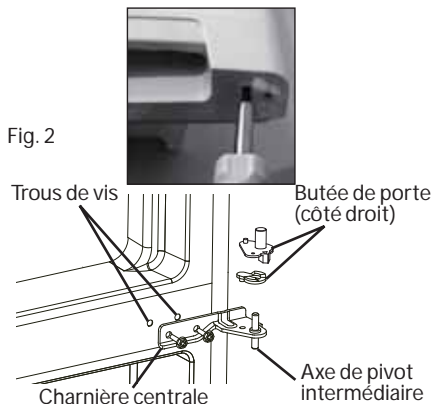


Fig. 2

INSTRUCTIONS D'INSTALLATION

RÉINSTALLATION

1. Enlever l'axe de pivot inférieur de la charnière inférieure en tournant dans le sens contraire des aiguilles. Placer l'axe du côté opposé et serrer (voir Fig. 3 et Fig. 4).
2. Incliner le réfrigérateur d'un angle de 45 degrés pour avoir accès à l'avant inférieur.

ATTENTION Deux personnes sont nécessaires

3. Enlever les pieds avant gauche et droit dans le bas.
4. Desserrer les vis qui fixent la charnière et enlever (voir Fig. 4).

5. Aligner les trous de la charnière inférieure sur les trous correspondants du côté opposé de la carrosserie. Insérer et serrer les vis. Réinstaller les deux pieds avant.

6. Pour installer la porte réfrigérateur : Aligner le trou inférieur gauche de la porte du compartiment réfrigérateur au-dessus de l'axe de charnière inférieure. Déplacer la porte vers l'avant pour la redresser et l'aligner sur la charnière centrale. Installer la charnière centrale de nouveau, et tourner l'axe de charnière jusqu'à ce qu'il entre complètement dans le corps de la porte. Fixer la charnière à l'aide des vis fournies (voir Fig. 5). **REMARQUE :** Retirer les bouchons du cadre de porte et les installer de l'autre côté.

7. Pour installer la porte congélateur : Aligner le trou inférieur gauche de la porte au-dessus de l'axe intermédiaire de la charnière centrale. Déplacer la porte vers l'avant pour la redresser et l'aligner sur le compartiment congélateur. Placer le couvercle de charnière au-dessus du côté gauche de la charnière supérieure, aligner les trous sur le trou dans le haut du réfrigérateur et fixer à l'aide des vis fournies.

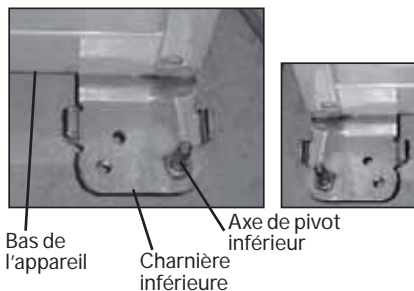


Fig. 3



Fig. 4

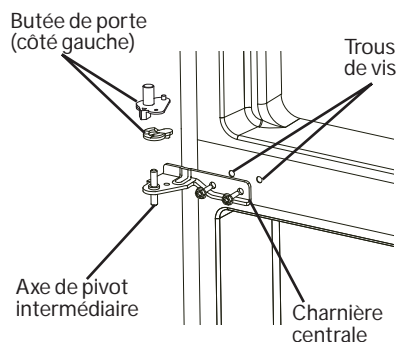


Fig. 5

UTILISATION DU RÉFRIGÉRATEUR

CADRAN DE TEMPÉRATURE RÉGLABLE

Votre réfrigérateur maintient automatiquement le niveau de température que vous sélectionnez. La commande de température comporte 7 réglages. COLD (froid) est le réglage le moins froid et COLDER (plus froid) est le réglage le plus froid. Le débranchement de l'appareil fait cesser le refroidissement dans les compartiments réfrigérateur et congélateur. Au début, réglez le cadran à la 4e marque de l'indicateur (réglage intermédiaire), et attendez 24 heures avant de régler la température selon vos besoins.

Pour un réglage de température dans la zone moins froide (cold), tournez le cadre dans le sens des aiguilles. Pour des conditions normales, gardez le cadran à mi-chemin entre les zones moins froide (cold) et plus froide (coldest). Par commodité, la commande est pré-réglée pour des conditions normales à l'usine.

REMARQUE : Si le réfrigérateur a été placé dans une position horizontale ou inclinée pendant n'importe quelle période de temps, attendez 24 heures avant de rebrancher l'appareil.

COMPARTIMENT CONGÉLATEUR

Votre compartiment congélateur est doté d'une commande de débit d'air réglable. Par commodité, le débit d'air est pré-réglé au plus froid à l'usine. Une option permet de régler à moins froid (cold) ou plus froid (colder).

LAMPE INTÉRIEURE DU COMPARTIMENT RÉFRIGÉRATEUR

Le compartiment réfrigérateur est doté d'une lampe intérieure afin de repérer les aliments facilement.

RÉFRIGÉRATEUR-CONGÉLATEUR SANS GIVRE

Vous ne devriez jamais avoir besoin de dégivrer votre congélateur car il dégivre automatiquement toute accumulation de glace.

⚠ DANGER



RISQUE D'INCENDIE OU D'EXPLOSION

Réfrigérant inflammable utilisé. N'utilisez pas d'appareils mécaniques pour dégivrer le compartiment réfrigérateur ou congélateur. Ne percez pas la tubulure de réfrigérant.

TABLETTES INTÉRIEURES DU RÉFRIGÉRATEUR

(Les tablettes peuvent varier selon le modèle)

Les tablettes de votre réfrigérateur ont été conçues en pensant à vous. Leur configuration flexible permet de satisfaire vos propres besoins de rangement.

Pour retirer ou ajuster une tablette coulissante pleine largeur : (voir Fig. 6).

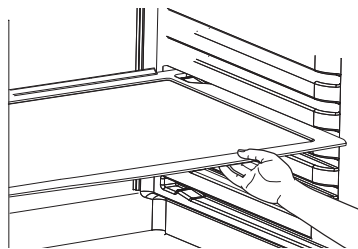


Fig. 6

UTILISATION DU RÉFRIGÉRATEUR

BACS À LÉGUMES ET COUVERCLES

Pour retirer et installer un bac à légumes: (voir Fig. #7)

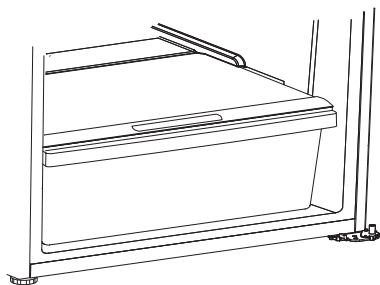


Fig. 7

1. Tenir le bac fermement et faire glisser pour le sortir complètement.
2. Replacer le bac à légumes en le plaçant en position et le refaire glisser doucement en place.

Votre réfrigérateur peut être doté d'une commande par curseur pour augmenter ou diminuer le niveau d'humidité de vos bacs à légumes. Simplement ajustez le contrôle sur l'arrangement approprié pour les produits que vous emmagasinez dans le bac à légumes. L'arrangement bas, permettra l'air humide de sortir du bac à légumes pour l'emmagasinage optimum des fruits et légumes qui ont une épiluchure. Un arrangement haut retient l'air humide dans le bac à légumes pour un emmagasinage optimum des légumes frais.

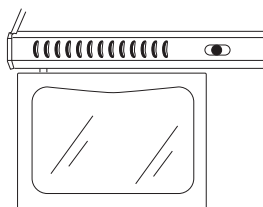


Fig. 8

POUR RETIRER ET INSTALLER LE BAC À LÉGUMES

1. Agripper avec soin le couvercle du bac à légumes et glisser vers l'extérieur pour retirer le bac. (Fig. 9)

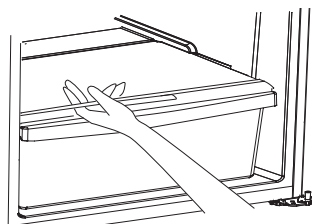


Fig. 9

2. Pour replacer, glisser l'arrière du couvercle du bac dans les fentes droite et gauche au-dessus de la zone du bac, puis glisser en place avec soin.

ENTRETIEN DU RÉFRIGÉRATEUR

⚠ AVERTISSEMENT

Avant de nettoyer votre réfrigérateur, débranchez-le **TOUJOURS** de la source d'alimentation électrique. L'omission d'observer cet avertissement peut causer des blessures ou la mort par électrocution.

REMARQUE : Avant d'utiliser un produit de nettoyage, assurez-vous de lire les instructions et les mises en garde du fabricant. Cela contribuera à prévenir les blessures corporelles ou les dommages à la propriété.

NETTOYAGE DE L'INTÉRIEUR

Préparez une solution nettoyante de 3 à 4 cuillerées à table de bicarbonate de soude mélangé dans l'eau modérément chaude. Utilisez une éponge ou un linge doux imbibé de cette solution pour essuyer l'intérieur du réfrigérateur.

Évitez de nettoyer les pièces en verre froides (tablettes, couvercle de bac à légumes en verre, etc.) avec de l'eau très chaude. Le verre peut se briser et occasionner des blessures. Manipulez toutes les pièces en verre avec précaution en tout temps.

Ne lavez aucune pièce au lave-vaisselle.

N'utilisez pas des produits chimiques agressifs, de l'ammoniac, des javellisants au chlore, des détergents concentrés, des solvants, des produits abrasifs ou des tampons à récurer pour nettoyer l'intérieur ou l'extérieur de votre réfrigérateur. Ces produits peuvent endommager et/ou décolorer le fini du réfrigérateur.

NETTOYAGE DE L'EXTÉRIEUR

Utilisez un linge doux propre, légèrement imbibé de cire pour électroménagers ou d'un détergent doux, pour nettoyer l'extérieur du réfrigérateur.

Utilisez un linge doux propre, légèrement imbibé d'eau savonneuse tiède pour nettoyer les poignées et les garnitures. Utilisez une serviette douce propre pour sécher.

Pour les modèles en acier inoxydable, utilisez un linge sec et un produit à polir l'acier inoxydable.

Les joints d'étanchéité de porte doivent être nettoyés tous les trois mois en suivant les instructions pour le nettoyage de l'intérieur. Des joints propres conserveront une meilleure étanchéité que s'ils sont sales. Appliquez légèrement de la gelée de pétrole du côté charnière des joints pour les garder souples et assurer une bonne étanchéité.

N'utilisez jamais un linge sale pour nettoyer l'extérieur du réfrigérateur. Des linges sales peuvent laisser un résidu sur le réfrigérateur pouvant endommager le fini. Évitez aussi les produits chimiques agressifs, l'ammoniac, les javellisants au chlore, les détergents concentrés, les solvants, les produits abrasifs et les tampons à récurer pour nettoyer l'extérieur du réfrigérateur.

ENTRETIEN DU RÉFRIGÉRATEUR

REMPACEMENT DE LA LAMPE DEL

⚠ AVERTISSEMENT

Ne remplacez pas la lampe DEL par vous-même. Veuillez communiquer avec le service après-vente pour ce remplacement. L'omission d'observer cet avertissement peut causer des blessures ou la mort par électrocution.

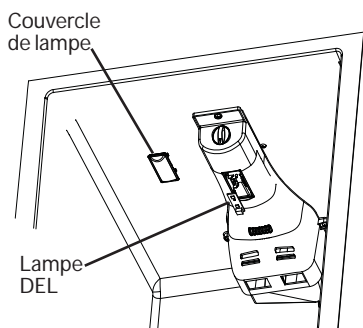


Fig. 10

PANNES DE COURANT

En cas de panne de courant, débranchez votre réfrigérateur de sa source d'alimentation. Évitez d'ouvrir les portes avant le rétablissement de l'électricité. Votre réfrigérateur gardera sa température froide plus longtemps si l'on évite ou réduit au minimum l'ouverture des portes.

Une fois le courant rétabli, branchez votre réfrigérateur dans sa source d'alimentation et inspectez les aliments à l'intérieur pour vérifier s'ils sont décongelés ou s'ils se sont détériorés. Il est fortement recommandé de nettoyer votre réfrigérateur après une panne de courant pour éviter la formation d'odeurs et d'éventuels risques pour la santé en raison de la décongélation des aliments.

VACANCES

Lors de vacances ou d'absences prolongées, débranchez votre réfrigérateur et retirez tous les aliments qu'il contient. Nettoyez le réfrigérateur, y compris les joints d'étanchéité, selon la section Entretien et nettoyage. Laissez les portes ouvertes pour faire circuler l'air à l'intérieur du réfrigérateur.

DÉMÉNAGEMENT

Avant de déplacer votre réfrigérateur, videz-le complètement et utilisez du ruban adhésif pour bien retenir tous les articles lâches (clayettes, casiers, balconnets, bacs, etc.), puis débranchez-le. Déplacez toujours le réfrigérateur en position verticale afin d'éviter d'endommager le système réfrigérant hermétique

DÉPANNAGE

BRUITS DE FONCTIONNEMENT NORMAUX

HUMMM...

OUUCH...

- Le nouveau compresseur à rendement élevé peut fonctionner plus longtemps et plus vite que votre ancien réfrigérateur et vous pouvez entendre un ronflement aigu ou une pulsation pendant son fonctionnement.
- Vous pouvez entendre un sifflement lorsque les portes se ferment. Cela provient de l'équilibrage de pression dans le réfrigérateur.

CLICS ET CLAQUEMENTS

- Vous pouvez entendre des craquements ou des claquements lorsque le réfrigérateur est branché pour la première fois. Cela se produit lorsque le réfrigérateur se refroidit à la bonne température.
- L'expansion et la contraction des serpentins de refroidissement pendant et après le dégivrage peut causer un craquement ou un claquement.
- Sur les modèles équipés d'une machine à glaçons, après un cycle de production de glaçons, vous pouvez entendre la chute des glaçons dans le bac à glace.
- Sur les modèles avec distributeur, pendant la distribution d'eau, vous pouvez entendre les conduites d'eau bouger lors de la première distribution et une fois le bouton relâché.

OUIR!



- Vous pouvez entendre les ventilateurs tourner à haute vitesse. Cela se produit lorsque le réfrigérateur vient d'être branché, lorsque les portes sont ouvertes fréquemment ou lors de l'ajout d'une grande quantité d'aliments dans les compartiments congélateur ou réfrigérateur. Les ventilateurs permettent de maintenir les bonnes températures.
- Les ventilateurs changent de vitesse pour assurer des économies d'énergie et un refroidissement optimaux.

BRUITS D'EAU



- Le passage de l'agent frigorigène dans les serpentins de refroidissement du congélateur peut être accompagné d'un gargouillement semblable à celui de l'eau en ébullition.
- L'eau tombant sur l'élément chauffant de dégivrage peut faire un bruit de grésillement, de claquement ou de bourdonnement pendant le cycle de dégivrage.
- Un bruit de suintement d'eau peut être entendu pendant le cycle de dégivrage lorsque la glace de l'évaporateur fond et tombe dans le bac de récupération.
- Fermer la porte peut causer un gargouillement en raison de l'équilibrage de pression.

Si le réfrigérateur a été placé dans une position horizontale durant n'importe quelle période de temps, attendez 24 heures après l'avoir redressé avant de le rebrancher.

IMPORTANT

Durant le cycle automatique de dégivrage, vous pouvez remarquer un rougeoiement dans les orifices de ventilation sur la paroi arrière du compartiment congélateur. Cela est normal durant le cycle de dégivrage.

DÉPANNAGE

Essayez tout d'abord les solutions suggérées ici et évitez les coûts pour le service de réparation.

PROBLÈME	CAUSE(S) POSSIBLE(S)	SOLUTION
Le réfrigérateur ne fonctionne pas.	Le réfrigérateur est débranché.	Branchez la fiche dans une prise de courant.
	Le disjoncteur est déclenché ou fermé / un fusible est grillé.	Réinitialisez / réenclenchez le disjoncteur ou remplacez le fusible.
	Le réfrigérateur est en mode dégivrage.	Attendez la fin du cycle de dégivrage (environ 30 minutes) et le redémarrage du système de refroidissement.
Il fait trop chaud dans le réfrigérateur ou le congélateur.	La commande de température n'est pas assez basse.	Tournez le bouton de réglage de température dans le sens des aiguilles d'une montre pour abaisser la température; allouez 24 heures pour l'ajustement.
	Les portes sont ouvertes trop fréquemment, ou laissées ouvertes.	Gardez les portes fermées / vérifiez si un article empêche la bonne fermeture de la porte.
	Des aliments chauds ont été récemment ajoutés.	Laissez la nourriture et le réfrigérateur se refroidir.
	Des articles appuyés sur la paroi arrière des compartiments empêchent la bonne circulation de l'air.	Ne rangez les articles qu'à l'intérieur des limites de la bordure des étagères en verre; n'appuyez aucun article sur les côtés des compartiments ou contre les orifices d'aération.
	Le réfrigérateur est en mode de dégivrage adaptatif	Cela est normal. Le cycle de dégivrage dure environ 30 minutes.
Il fait trop froid dans le réfrigérateur ou le congélateur.	Le bouton de commande est réglé à une température trop froide.	Tournez le bouton de réglage de température dans le sens inverse des aiguilles d'une montre pour augmenter la température; allouez 24 heures pour l'ajustement.
Le réfrigérateur fonctionne fréquemment ou pendant de longues périodes.	Ceci est normal lors du premier branchement.	Allouez 24 heures pour que le réfrigérateur se refroidisse.
	De la nourriture chaude ou en grande quantité vient d'être rangée.	C'est normal.
	La porte est ouverte.	Assurez-vous que rien ne retient la porte en position ouverte.
	Chaleur ambiante ou ouvertures fréquentes.	C'est normal.
	La température est réglée à son plus bas degré.	Ajustez le bouton à une température plus chaude.

DÉPANNAGE

Essayez tout d'abord les solutions suggérées ici et évitez les coûts pour le service de réparation.

PROBLÈME	CAUSE(S) POSSIBLE(S)	SOLUTION
Humidité se formant à l'extérieur/ intérieur du réfrigérateur	Taux d'humidité ambiante élevé	C'est normal; séchez la surface et réglez la température à un niveau un peu plus froid.
	Les portes sont ouvertes trop fréquemment, ou laissées ouvertes.	Gardez les portes fermées / vérifiez si un article empêche l'enclenchement de la porte.
	Contenant d'eau non recouvert dans le réfrigérateur	Recouvrez ou étanchéifiez le contenant.
Une odeur se dégage du réfrigérateur	Aliment non scellé ou emballé inadéquatement	Scellez l'emballage/placez une boîte ouverte de bicarbonate de soude dans le réfrigérateur, que vous remplacerez aux trois mois.
	L'intérieur a besoin d'être nettoyé.	Conformez-vous aux directives de nettoyage de la partie Entretien approprié
La lumière ne s'allume pas.	Le réfrigérateur est débranché.	Branchez le réfrigérateur à une source d'alimentation.
	Le commutateur de lampe est bloqué.	Le commutateur est situé à la droite du compartiment réfrigérateur. Assurez-vous qu'il se déplace librement lorsqu'il est enfoncé et sorti manuellement.
	La lampe DEL est brisée.	Communiquez avec le service après-vente pour une pièce de rechange.
Du givre ou des cristaux de glace se forment sur les aliments congelés.	La porte du congélateur est ouverte, ou s'ouvre trop fréquemment.	Tournez le bouton de réglage de température dans le sens inverse des aiguilles d'une montre pour augmenter la température; allouez 24 heures pour l'ajustement.
	Des articles obstruent les événements d'air du congélateur et empêchent la bonne circulation de l'air.	Éloignez les articles de la paroi arrière.
De l'air chaud se dégage du bas du réfrigérateur.	Flux d'air se dégageant du compresseur durant le processus de réfrigération.	C'est normal.
Les aliments gèlent dans le réfrigérateur.	Les aliments sont trop près de l'évent d'aération.	Éloignez les articles du fond et du haut du réfrigérateur.
	Le bouton de commande est réglé à une température trop froide.	Tournez le bouton de réglage de température dans le sens des aiguilles d'une montre, vers une température plus chaude.

DÉPANNAGE

Essayez tout d'abord les solutions suggérées ici et évitez les coûts pour le service de réparation.

PROBLÈME	CAUSE(S) POSSIBLE(S)	SOLUTION
La porte du congélateur s'ouvre d'elle-même lors de la fermeture de la porte du frigo.	Si la porte du congélateur se referme d'elle-même ensuite, c'est normal.	Si elle se referme d'elle-même, c'est le signe qu'il est étanche.
	Si la porte du congélateur ne se referme pas d'elle-même ensuite, ajustez les pattes de nivellement.	Consultez les directives de réglage des pattes de nivelage à la partie Installation de votre réfrigérateur.
La porte ne se referme pas correctement.	Le réfrigérateur n'est pas de niveau.	Consultez les directives de réglage des pattes de nivelage à la partie Installation de votre réfrigérateur.
	Quelque chose obstrue la fermeture de la porte.	Vérifiez s'il y a des obstructions et enlevez-les.
Vibrations, cliquetis	Le réfrigérateur ne repose pas complètement sur le sol.	Consultez les directives de réglage des pattes de nivelage à la partie Installation de votre réfrigérateur.

GARANTIE LIMITÉE

12 mois sur les pièces et la main-d'œuvre

Durant les 12 mois suivant la date d'achat d'origine au détail, GE Appliances remplacera toute pièce du réfrigérateur présentant une défectuosité en raison d'un vice de matière ou de fabrication. Le choix entre le remplacement ou la réparation de l'appareil défectueux sera à la discrétion de GE Appliances. Dans le cas où GE Appliances déciderait de réparer l'appareil défectueux, GE Appliances fournira toute pièce défectueuse en raison d'un vice de matière ou de fabrication, et assumera les frais de main-d'œuvre et de service associés à réparation de la pièce. Advenant une décision de remplacer l'appareil durant cette période, GE Appliances pourrait procéder en vous fournissant un certificat échangeable auprès d'un détaillant contre un produit de remplacement.

Le produit doit être accessible, dégagé et installé correctement pour bénéficier du service de réparation sous garantie.

REMARQUE : Cette garantie prend effet à la date à laquelle l'article a été acheté et le reçu de l'achat d'origine doit être présenté au représentant de dépannage autorisé avant qu'une quelconque réparation sous garantie ne soit effectuée.

SERVICE AU TITRE DE LA GARANTIE

Aux États-Unis, toutes les réparations sous garantie doivent être réalisées par nos Factory Service Centers ou un technicien Customer Care autorisé. Composez le 1.877.337.3639 pour prévoir un rendez-vous

Veillez avoir votre numéro de série et votre numéro de modèle à portée de main lorsque vous appelez pour obtenir un service.

Au Canada, composez le 1.877.337.3639.

EXCLUSION DES GARANTIES TACITES : Votre recours exclusif est l'échange du produit suivant les modalités de la Garantie Limitée. Toutes garanties tacites, y compris les **garanties de valeurs marchandes ou d'adéquation à des fins particulières, sont limitées à une durée d'un an ou à la durée la plus courte autorisée par la loi.**

Cette garantie ne couvre pas :

Toute visite à votre domicile pour vous expliquer le fonctionnement de l'appareil.

Mauvaise installation, livraison ou entretien.

Toute défectuosité du produit lorsqu'il est utilisé de façon abusive, ou à des fins commerciales ou à toute autre fin que celle pour laquelle il a été conçu.

Perte des aliments due à la détérioration.

Dompage subi après la livraison.

Remplacement des ampoules de lampe.

Le remplacement des fusibles ou le réenclenchement des disjoncteurs.

Tout dommage au produit attribuable à un accident, un incendie, une inondation ou un cas de force majeure.

Tout dommage direct ou indirect attribuable à une défectuosité éventuelle de l'appareil.

Le service s'il est impossible d'avoir accès au produit pour ce faire.

Les coûts associés lorsque GE Appliances choisit d'émettre un certificat échangeable contre un produit de remplacement

GARANTIE LIMITÉE

Pour les clients des États-Unis : Cette garantie est étendue à l'acheteur d'origine et aux propriétaires suivants pour tout produit acheté pour une utilisation domestique aux États-Unis. Si le produit est installé dans une région où ne se trouve aucun réparateur autorisé GE Appliances, vous devrez peut-être assumer les frais de transport ou apporter l'appareil à un centre de service autorisé GE Appliances. En Alaska, cette garantie exclut le coût d'expédition ou de dépannage à votre domicile.

Certains états n'acceptent pas d'exclusion ou de limites aux dommages indirects consécutifs. Certains droits particuliers vous sont dévolus en vertu de la présente garantie et peuvent s'accompagner d'autres droits qui varient selon votre lieu de résidence. Pour connaître vos droits juridiques, veuillez consulter le bureau local ou le bureau d'état des affaires aux consommateurs ou le Procureur Général de votre état.

Garant : GE Appliances, *a Haier company*

Pour les clients des Canada : Cette garantie est étendue à l'acheteur d'origine et aux propriétaires suivants pour tout produit acheté aux Canada pour une utilisation domestique aux Canada. Le service à domicile en vertu de la garantie sera fourni dans les régions où il est disponible et où Mabe estime raisonnable de le fournir.

Garant Canada:
MC Commercial, Burlington, Ontario,
L7R 5B6

DOCUMENTS À CONSERVER

Merci d'avoir acheté ce produit Haier. Ce manuel d'utilisation vous aidera à obtenir la meilleure performance possible de votre nouveau réfrigérateur.

Pour référence ultérieure, inscrire le numéro de plaque signalétique et la date d'achat. La plaque signalétique est située sur une étiquette à l'intérieur du réfrigérateur.

Pour faciliter l'obtention d'un service sous garantie, agrafe la preuve de la date d'achat à ce manuel.

Numéro de modèle

Numéro de série

Date d'achat

ÍNDICE

SEGURIDAD DEL REFRIGERADOR	44
Cómo deshacerse adecuadamente de su aparato refrigerador viejo	45
PIEZAS Y CARACTERÍSTICAS	46
REQUISITOS DE INSTALACIÓN	47
Requisitos de ubicación	47
Conexión de la electricidad	48
INSTRUCCIONES DE INSTALACIÓN	49
Desempaque el refrigerador	49
Nivelación del Refrigerador	50
Circulación Correcta de Aire	50
Alineación de la Puerta	51
Apertura Inversa de la Puerta	51
Reinstallation	52
USO DEL REFRIGERADOR	53
Dial de Ajuste de Temperatura	53
Luz Interna de la Sección del Refrigerador	53
Refrigerador-Freezer Libre de Escarcha	53
Repisas Internas del Refrigerador	53
Recipientes Para Frutas y Verduras Y Tapa	54
Para Sacar e Volver el Cajón Para Frutas y Verduras	54
CUIDADO DEL REFRIGERADOR	55
Limpieza Interna	55
Limpieza Externa	55
Reemplazo de la Iluminación LED	55
Cortes de Energía	56
Vacaciones	56
Mudanzas	56
SOLUCIÓN DE PROBLEMAS	57
Sonidos Normales de Funcionamiento	57
Solución de problemas	58
GARANTÍA LIMITADA	61
INFORMACIÓN A TENER EN CUENTA	61

SEGURIDAD DEL REFRIGERADOR

INSTRUCCIONES IMPORTANTES DE SEGURIDAD

▲ADVERTENCIA Para reducir el riesgo de incendio, choque eléctrico, lesiones a personas o daños al utilizar el refrigerador, siga precauciones básicas, incluyendo las siguientes:

- Este refrigerador se deberá instalar y ubicar adecuadamente de acuerdo con las Instrucciones de Instalación antes de ser usado.
- Desenchufe el refrigerador antes de hacer reparaciones, reemplazar una lámpara de luz o hacer una limpieza.
NOTA: La corriente que va al refrigerador no puede ser desconectada por ninguna configuración del panel de control.
NOTA: Las reparaciones deberán ser realizadas por un Profesional del Servicio Técnico calificado.
- Reemplace todas las piezas y paneles antes del uso.
- No guarde ni use gasolina u otros vapores inflamables y líquidos cerca de este ni de otro electrodoméstico.
- No guarde sustancias explosivas tales como latas de aerosoles con propelentes inflamables en este electrodoméstico.
- No use un cable eléctrico de extensión.
- A fin de evitar riesgos de que los niños sufran asfixia o queden atrapados, retire las puertas de comidas frescas y del freezer de cualquier refrigerador antes de deshacerse o dejar de usar el mismo.
- Para evitar lesiones graves o la muerte, los niños no se deberán parar sobre ni jugar en o con el electrodoméstico.
- Los niños y las personas con capacidad física, sensorial o mental reducida o con falta de experiencia y conocimiento podrán usar este electrodoméstico sólo si son supervisados o les fueron dadas instrucciones sobre un uso seguro y entienden los riesgos involucrados.
- Este electrodoméstico fue diseñado para uso hogareño y para aplicaciones similares tales como: áreas de personal de cocina en tiendas, oficinas y otros espacios laborales; casas de campo; por clientes en hoteles, moteles, hostales y otros espacios residenciales, catering y aplicaciones no minoristas similares.

▲PRECAUCIÓN A fin de reducir el riesgo de lesiones al usar el refrigerador, siga estas precauciones básicas.

- No limpie estantes de vidrio ni tapas con agua caliente cuando estén fríos. Los estantes de vidrio y las tapas se pueden romper si son expuestos a cambios de temperatura repentinos o impactos tales como sacudones o caídas.
- Mantenga los dedos fuera de los espacios de "riesgo de lastimaduras"; los despejes entre las puertas y entre las puertas y el gabinete son necesariamente pequeños. Tenga el cuidado de cerrar las puertas cuando los niños se encuentren en el área.
- No toque las superficies frías del compartimiento del freezer cuando las manos estén húmedas o mojadas, ya que la piel se podrá adherir a estas superficies extremadamente frías.
- No vuelva a congelar comidas que hayan estado totalmente congeladas en forma previa.

SEGURIDAD DEL REFRIGERADOR

ADVERTENCIAS DE LA PROPOSICIÓN 65 DEL ESTADO DE CALIFORNIA

▲ ADVERTENCIA Este producto contiene uno o más químicos que el Estado de California entiende que producen cáncer y defectos en el nacimiento u otros daños reproductivos.

▲ ADVERTENCIA PELIGRO DE EXPLOSIÓN Refrigerantes Inflamables

Este electrodoméstico cuenta con refrigerante isobutano, R600a, un gas natural con alto nivel de compatibilidad medioambiental. Sin embargo, también es combustible. Siga las advertencias que figuran a continuación, a fin de reducir el riesgo de lesiones o daños sobre la propiedad.

- 1) Al mover, instalar y operar el electrodoméstico, se deberá tener cuidado de no dañar la tubería del refrigerante.
- 2) El servicio técnico sólo debe ser realizado por personal autorizado del servicio. Use sólo piezas del servicio autorizadas por el fabricante
- 3) Descarte el electrodoméstico de acuerdo con las Regulaciones Federales y Locales. El refrigerante inflamable y el material aislante inflamable usados requieren procedimientos de descarte especiales. Comuníquese con las autoridades locales para descartar su refrigerador de forma ambientalmente segura.
- 4) Mantenga las aberturas de ventilación en el espacio de protección del electrodoméstico o en la estructura incorporada libres de obstrucción.
- 5) No use dispositivos mecánicos u otros medios para acelerar el proceso de descongelamiento.
- 6) No dañe el circuito del refrigerante.
- 7) No use dispositivos eléctricos dentro del compartimiento de almacenamiento de comida del electrodoméstico.

DISPOSICIÓN APROPIADA DE SU ANTIGUO APARATO

▲ ADVERTENCIA PELIGRO DE ATRAPAMIENTO Y ASFIXIA

El incumplimiento de estas instrucciones de eliminación puede causar la muerte o lesiones graves.

IMPORTANTE: El atrapamiento y asfixia de niños no es un problema del pasado. Un aparato refrigerador desechado y abandonado es un peligro, aún si va a quedar ahí "por unos pocos días". Si usted está por deshacerse de su aparato refrigerador viejo, siga las instrucciones a continuación para evitar accidentes.

Antes de descartar su aparato refrigerador viejo:

- Quite la puerta.
- Deje los estantes en su lugar así los niños no pueden meterse adentro con facilidad.

SEGURIDAD DEL REFRIGERADOR

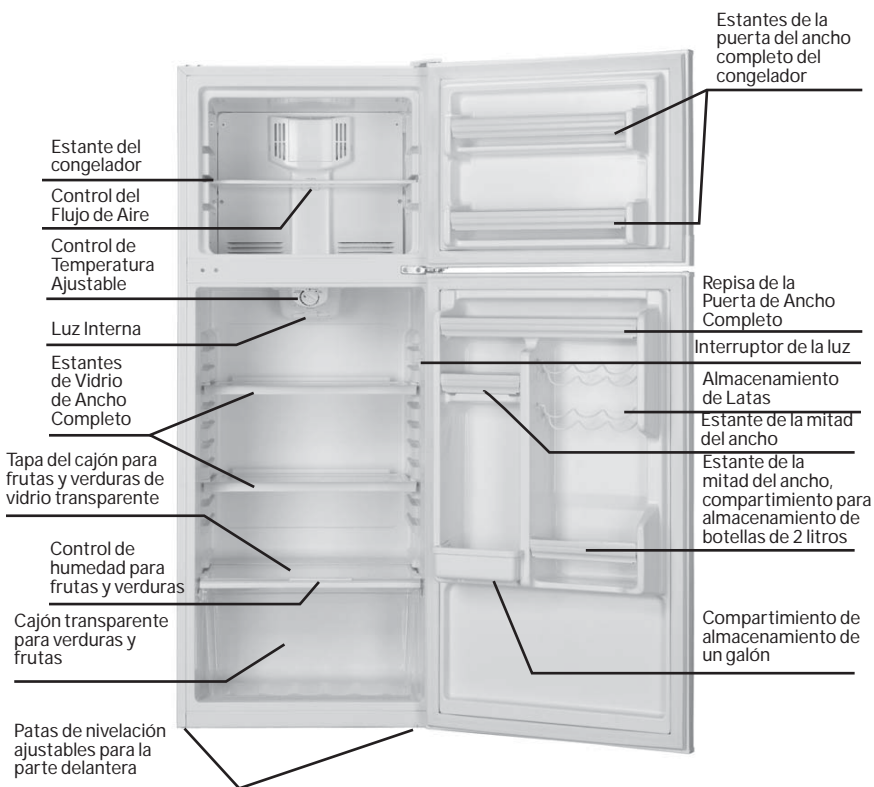
DISPOSICIÓN APROPIADA DE SU ANTIGUO APARATO (Cont.)

Cómo Eliminar Refrigerantes y Gomaespumas:

Descarte el electrodoméstico de acuerdo con las Regulaciones Federales y Locales. El refrigerante inflamable y el material aislante inflamable usados requieren procedimientos de descarte especiales. Comuníquese con las autoridades locales para descartar su electrodoméstico de forma ambientalmente segura

LEA Y GUARDE ESTAS INSTRUCCIONES

PIEZAS Y CARACTERÍSTICAS



REQUISITOS DE INSTALACIÓN

REQUISITOS DE UBICACIÓN

⚠ ADVERTENCIA



Peligro de Explosión o Incendio

Mantenga los materiales y vapores inflamables, tales como gasolina, alejados del aparato.

No seguir esta instrucción puede ocasionar la muerte, explosión, o incendio.

IMPORTANTE: Este refrigerador se ha diseñado para instalarse de forma independiente únicamente. No debe estar empotrado ni integrado en un armario cerrado. Para asegurarse de que el refrigerador funciona con la máxima eficiencia, lo debe instalar en una ubicación donde haya circulación de aire y conexiones eléctricas adecuadas.

CÓMO INSTALAR EL REFRIGERADOR

- No instale el refrigerador donde la temperatura llegue a ser inferior a los 60°F (16°C), ya que no se activará con la frecuencia necesaria para mantener las temperaturas apropiadas.
- No instale el refrigerador donde la temperatura sea superior a los 100°F (37°C), ya que no funcionará de forma correcta.
- Instale el mismo en un piso lo suficientemente fuerte como para soportarlo completamente cargado.
- No instale el refrigerador en una ubicación expuesta al agua (lluvia, etc.) o en contacto directo con la luz solar.

INSTRUCCIONES DE INSTALACIÓN

CONEXIÓN DE LA ELECTRICIDAD

▲ ADVERTENCIA



RIESGO DE DESCARGA ELÉCTRICA

Enchufe en un tomacorriente con conexión a tierra de 3 cables.

No elimine el cable de conexión a tierra.

No use un adaptador.

No use un prolongador.

Si no se siguen estas instrucciones se podrá producir la muerte, incendios o descargas eléctricas.

Nunca, bajo ninguna circunstancia, corte o elimine el tercer cable (tierra) del cable de corriente. Para su seguridad personal, este electrodoméstico debe estar adecuadamente conectado a tierra.

El cable de corriente de este electrodoméstico cuenta con un enchufe de 3 cables (conexión a tierra) que se conecta a un tomacorriente de pared estándar de 3 cables (conexión a tierra) para minimizar la posibilidad de riesgos de descargas eléctricas por parte del mismo.

Contrate a un electricista calificado para que controle el tomacorriente y el circuito eléctrico, a fin de asegurar que el enchufe esté correctamente conectado a tierra.

En caso de contar con un tomacorriente de pared de 2 cables, es su responsabilidad y obligación reemplazarlo por un tomacorriente de pared de 3 cables correctamente conectado a tierra. No use un adaptador.

El refrigerador deberá estar siempre conectado a un enchufe específico con un índice de voltaje equivalente al que figura en la placa de calificación.

Se requiere un suministro eléctrico con fusible y conexión a tierra de 115 voltios de CA, 60 Hz, 15 o 20 amperes. Esto garantiza el mejor funcionamiento y además previene la sobrecarga de los circuitos del hogar, lo cual podría ocasionar riesgos de incendio debido al recalentamiento de cables.

Nunca desenchufe el refrigerador tirando del cable de corriente. Siempre tome su enchufe firmemente y empuje el mismo hacia fuera para retirarlo.

Inmediatamente interrumpa el uso de un cable de suministro de corriente dañado. Si el cable de corriente se encuentra dañado, su reemplazo deberá ser realizado por un profesional calificado del servicio técnico, utilizando una pieza del servicio técnico autorizada por el fabricante.

Al alejar el refrigerador de la pared, se deberá tener cuidado de que no ruede sobre ni dañe el cable de corriente.

INSTRUCCIONES DE INSTALACIÓN

DESEMPAQUE EL REFRIGERADOR

▲ ADVERTENCIA



Peligro de Explosión o Incendio

No perforo el tubo refrigerante.

Siga con cuidado las instrucciones de manipulación.

El refrigerante usado es inflamable.

No seguir esta instrucción puede ocasionar la muerte, explosión, o incendio.

IMPORTANTE: Tenga cuidado al mover el refrigerador para evitar dañar el tubo refrigerante o aumentar el riesgo de fuga.

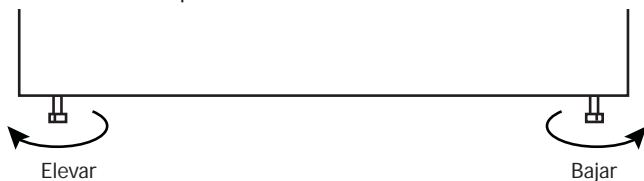
IMPORTANTE: Cuando lo mueva, nunca incline el refrigerador en un ángulo superior a los 45°. Esto podría dañar el compresor y el sistema sellado. Si el refrigerador ha sido colocado en posición horizontal durante algún período de tiempo, espere 30 minutos antes de enchufarlo para permitir que el refrigerante se asiente.

1. Retire los materiales del embalaje. Esto incluye la base corrugada y toda la cinta adhesiva que sostiene los accesorios internos y externos del refrigerador.
2. Inspeccione y retire cualquier resto de embalaje, cinta o materiales impresos antes de encender el refrigerador.
3. Si su refrigerador posee puertas lisas o de acero inoxidable, por favor retire la película transparente antes de encenderlo por primera vez. Al retirar la película, no tire de la misma hacia abajo ya que esto podrá resultar en la desalineación de las puertas.
4. Es normal que la puerta del freezer sea posicionada un poco más arriba que la parte superior del gabinete, cuando el refrigerador es instalado por primera vez. Este posicionamiento viene configurado de fábrica, a fin de asegurar un sellado correcto de las juntas cuando se genere peso en la puerta por la colocación de productos alimenticios.

INSTRUCCIONES DE INSTALACIÓN

NIVELACIÓN DEL REFRIGERADOR

- El refrigerador cuenta con dos patas niveladoras que se encuentran ubicadas en las esquinas frontales inferiores del mismo. Luego de colocar correctamente el refrigerador en su posición final, podrá nivelar el mismo.
- Las patas niveladoras pueden ser ajustadas girando éstas en dirección de las agujas del reloj para elevar el refrigerador, o en dirección contraria de las agujas del reloj para bajar el mismo. La puerta del refrigerador se cerrará más fácilmente cuando las patas niveladoras sean extendidas.



CIRCULACIÓN CORRECTA DE AIRE

- A fin de asegurar que su refrigerador funciona en el nivel de eficiencia máximo para el cual fue diseñado, deberá instalar el mismo en una ubicación donde haya una apropiada circulación de aire, tuberías y conexiones eléctricas. Este refrigerador no fue diseñado para funcionar en temperaturas inferiores a 60°F (16°C) o superiores a 100°F (37°C).
- No instale el refrigerador en una ubicación que no se encuentre correctamente aislada o calentada; por ejemplo: garaje, etc. Manténgalo alejado del contacto directo con la luz del sol y alejado de fuentes de calor tales como radiadores, calentadores, o electrodomésticos de cocina.
- Se recomienda dejar los siguientes espacios en torno al refrigerador:

Laterales..... 1" (25 mm)
Parte Trasera..... 2" (50mm)

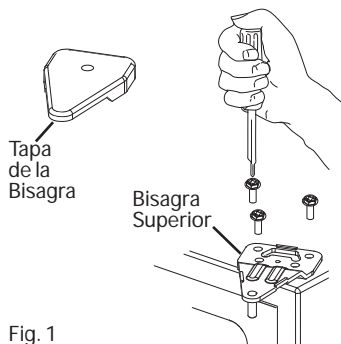
Parte Superior 1" (25 mm)

INSTRUCCIONES DE INSTALACIÓN

ALINEACIÓN DE LA PUERTA

Puerta del Freezer

1. Retire el tornillo de la tapa de la bisagra. (Fig. 1)
2. Retire la tapa de la bisagra superior.
3. Afloje los tornillos de la bisagra superior con un destornillador con cabeza Phillips.
4. Ajuste la puerta o coloque un espaciador entre medio y luego ajuste los tornillos.
5. Reemplace la tapa de la bisagra superior.



APERTURA INVERSA DE LA PUERTA

⚠ ADVERTENCIA

Siga todos los pasos al invertir la dirección de apertura de la puerta. Si no se siguen estas instrucciones, dejando piezas sin uso o ajustando tornillos en exceso, esto podrá hacer que la puerta se caiga y producir lesiones y daños sobre la propiedad.

Método de apertura izquierda/ derecha de la puerta:

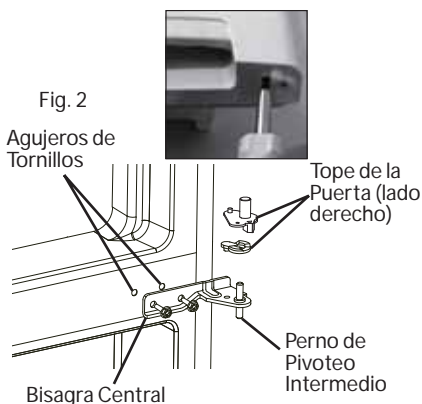
Este producto le permite invertir la apertura de la puerta de izquierda a derecha y viceversa. Puede seleccionar su preferencia de apertura de la puerta siguiendo el procedimiento para realizar el cambio.

Desmontaje: (Lea las Figs. 1 y 2)

1. Adhiera la puerta del refrigerador y del freezer, colocando cinta adhesiva sobre ambos lados para sostener las puertas en sus posiciones.
2. Como se muestra en la Fig. 1, desmonte la tapa de la bisagra sobre la parte superior de la puerta del freezer con un destornillador con cabeza Phillips. Luego retire los tres tornillos que sostienen la bisagra. Retire la bisagra empujando la misma de forma vertical, y colóquela en un lugar seguro.
3. Retire la cinta adhesiva sobre la puerta

del freezer, levante y retire la misma, y con cuidado déjela a un costado.

4. Desmonte los dos tornillos de la bisagra central, levante y retirelos de la bisagra central, y guárdelos en un lugar seguro. (Lea la Fig. 2).
5. Retire la cinta adhesiva sobre la puerta del refrigerador, levántela y retírela, y con cuidado déjela a un costado.
6. Retire los topes de la puerta del refrigerador y de las puertas del freezer.
7. Inserte el tope de la puerta del lado izquierdo (provisto con el embalaje) en el agujero del lado inferior izquierdo de la puerta del refrigerador y sobre el agujero inferior del lado izquierdo de la puerta del freezer. Ajuste el mismo con los tornillos provistos.



INSTRUCCIONES DE INSTALACIÓN

REINSTALACIÓN

1. Retire el perno del pivote inferior de la bisagra inferior, girando en dirección contraria de las agujas del reloj. Coloque el perno en el agujero opuesto y ajuste el mismo. (Lea la Fig. 3 y la Fig. 4).
2. Inclíne el refrigerador en un ángulo de 45 grados, para tener acceso a la parte frontal inferior.

⚠ PRECAUCIÓN Se Requieren
Dos Personas

3. Retire el pie frontal izquierdo y el derecho de la parte inferior.
4. Afloje los tornillos sosteniendo la bisagra inferior y retire la misma. (Lea la Fig. 4).
5. Alinee los agujeros de la bisagra inferior con los agujeros correspondientes, del lado opuesto del gabinete. Inserte y ajuste los tornillos. Reinstale ambos pies frontales.
6. Para instalar la puerta del refrigerador: alinee el agujero inferior izquierdo de la puerta del compartimiento del refrigerador sobre el perno de la bisagra inferior. Mueva la puerta hacia adelante para que quede derecha y alineada con la bisagra central. Instale la bisagra central nuevamente, y gire el eje de la bisagra hasta que ingrese completamente en el cuerpo de la puerta. Asegure la misma con los tornillos provistos. (Lea la Fig. 5).

NOTA: Retire los enchufes del marco de la puerta e instale los mismos del otro lado.

7. Para instalar la puerta del freezer: alinee el agujero inferior izquierdo de la puerta con el perno intermedio de la bisagra central. Mueva la puer ta hacia adelante para que quede derecha y alineada con el compartimiento del freezer. Coloque la tapa de la bisagra

sobre el lado izquierdo de la bisagra superior, alinee los tornillos con el agujero en la parte superior del refrigerador y ajuste con los tornillos provistos.



Fig. 3

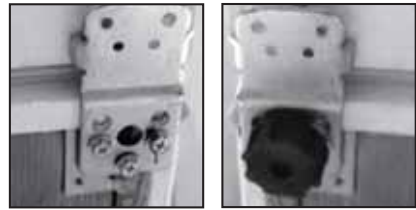


Fig. 4

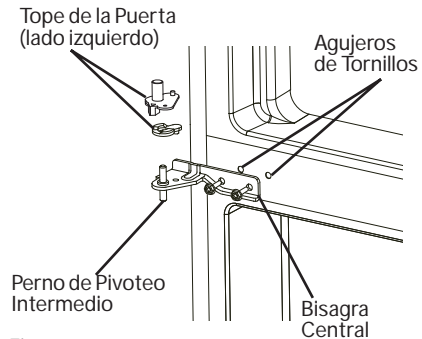


Fig. 5

USO DEL REFRIGERADOR

DIAL DE TEMPERATURA AJUSTABLE

Su refrigerador mantendrá de forma automática el nivel de temperatura que usted seleccionó. El control de temperatura cuenta con 7 configuraciones. COLD (Frio) es la configuración más caliente. COLDER (Más Frio) es la configuración más fría. Desenchufar la unidad detiene el enfriamiento en ambas secciones de refrigeración y freezer. Primero, configure el dial en la 4ª marca del indicador (configuración intermedia), y deje pasar 24 horas antes de ajustar la temperatura a sus necesidades.

Para ajustar el rango de temperatura en la configuración fría, gire el dial de temperatura en dirección de las agujas del reloj. En condiciones de funcionamiento normal, mantenga el dial a mitad de camino entre frío y más frío. Para su conveniencia, la fábrica preconfigura los controles para condiciones de funcionamiento normal.

NOTA: Si el refrigerador fue colocado en una posición horizontal o inclinada durante un período de tiempo, espere 24 horas antes de volver a enchufar la unidad.

SECCIÓN DEL FREEZER

Su compartimiento del freezer se encuentra equipado con un control de flujo de aire ajustable. Para su conveniencia, el flujo de aire se encuentra preconfigurado de fábrica en la configuración más fría. Existe también la opción de ajustar las configuraciones, ya sea al nivel frío o más frío.

LUZ INTERNA DE LA SECCIÓN DEL REFRIGERADOR

Su refrigerador se encuentra equipado con una luz interna en la sección de comidas frescas para que usted pueda ubicar fácilmente la comida.

REFRIGERADOR - FREEZER LIBRES DE ESCARCHA

Nunca deberá ser necesario descongelar el freezer, ya que éste descongela de forma automática cualquier acumulación de hielo que se pueda producir.

⚠ PELIGRO



RIESGO DE INCENDIO O EXPLOSIÓN

Se usó un refrigerante inflamable. No use dispositivos mecánicos para descongelar el refrigerador o el freezer. No perforo el tubo refrigerante.

REPISAS INTERNAS DEL REFRIGERADOR

(Las repisas pueden variar de acuerdo al modelo).

Las repisas de su refrigerador fueron diseñadas pensando en usted. Su variado nivel de ajuste le permite satisfacer sus necesidades personales de almacenamiento.

A fin de retirar o ajustar una repisa deslizable de ancho completo: (lea la Fig. 6).

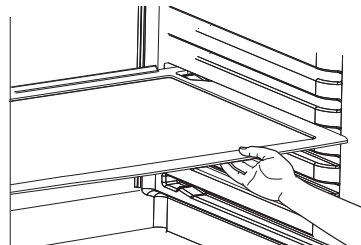


Fig. 6

USO DEL REFRIGERADOR

RECIPIENTES PARA FRUTAS Y VERDURAS Y TAPA

Para quitar e instalar el recipiente:
(observe la Fig. 7)

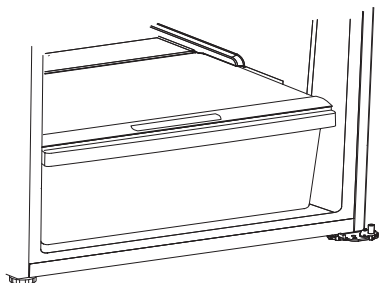


Fig. 7

1. Tome el recipiente firmemente y deslícelo hacia fuera completamente.
2. Reemplace el recipiente colocándolo adecuadamente en posición y deslizando suavemente a su lugar.

Su refrigerador podrá estar equipado con un control lateral para elevar o reducir los niveles de humedad de los cajones de verduras. Esta función incrementará el tiempo de almacenamiento de las frutas y verduras. Simplemente ajuste los controles en la configuración adecuada para los elementos que está almacenando en los cajones para frutas y verduras. Las configuraciones bajas permiten que el aire húmedo salga del cajón, son óptimas para el almacenamiento de frutas o vegetales que tienen cáscara. Las configuraciones altas retienen el aire húmedo en el cajón, son óptimas para el almacenamiento de vegetales frescos.

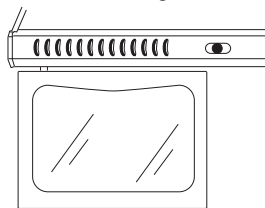


Fig. 8

PARA SACAR E VOLVER EL CAJÓN PARA FRUTAS Y VERDURAS

1. Con cuidado, tome la tapa del cajón de verduras y deslice la misma para retirarla. (Fig. 9)

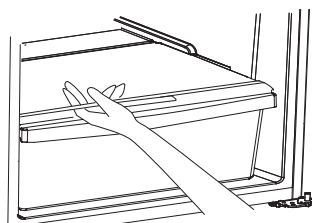


Fig. 9

2. Para realizar un reemplazo, deslice la parte trasera de la tapa del cajón de verduras por las ranuras derecha e izquierda, sobre el área del cajón de verduras, y de forma suave vuelva a deslizarla hasta su posición.

CUIDADO DEL REFRIGERADOR

▲ ADVERTENCIA

Antes de limpiar su refrigerador, SIEMPRE desenchufe el mismo de la toma de corriente. No acatar esta advertencia podrá resultar en lesiones o en la muerte por descarga eléctrica.

NOTA: Antes de usar cualquier producto de limpieza, asegúrese de leer las instrucciones y advertencias del fabricante. Esto ayudará a evitar lesiones personales y daños sobre la propiedad.

LIMPIEZA INTERNA

Prepare una solución de entre 3 y 4 cucharadas soperas de bicarbonato de sodio mezclado con agua caliente. Use una esponja o una tela suave, humedecida con la solución de limpieza, para limpiar la parte interna de su refrigerador.

Evite limpiar cualquier vidrio frío (repisas, vidrios cobertores de cajones de verduras, etc.) con agua caliente. El vidrio se podrá romper y ocasionar lesiones personales. Trate todas las piezas de vidrio con cuidado en todo momento.

No intente lavar ninguna pieza en el lavavajillas.

No use químicos fuertes, amoníaco, blanqueador con cloro, detergente concentrado, solventes, ni estropajos abrasivos o metálicos para limpiar su refrigerador, por dentro o por fuera. Estos podrán dañar y/o descolorar el acabado del refrigerador.

LIMPIEZA EXTERNA

Use una tela limpia, suave y levemente humedecida con cera para aparatos de cocina o un detergente suave para limpiar la parte externa del refrigerador.

Use una tela limpia, suave y levemente humedecida con agua caliente y jabón para limpiar las manijas y bordes. Use una toalla limpia y suave para secar.

Para los modelos de acero inoxidable, use una tela seca y un pulidor de acero inoxidable.

Las juntas de la puerta deberán ser limpiadas cada tres meses, siguiendo las instrucciones de limpieza interna. Las juntas limpias mantendrán un mejor sellado que las juntas sucias. Aplique una capa leve de vaselina sobre el lado de las juntas donde se encuentran las bisagras, a fin de mantener la junta plegable y asegurar un buen sellado.

Nunca use una tela sucia para limpiar la parte externa del refrigerador. Las telas sucias podrán dejar residuos sobre el refrigerador, los cuales podrán dañar el acabado. Tampoco no use químicos fuertes, amoníaco, blanqueador con cloro, detergente concentrado, solventes, ni estropajos abrasivos o metálicos para limpiar la parte externa del refrigerador.

CUIDADO DEL REFRIGERADOR

REEMPLAZO DE LA LUZ LED

⚠ ADVERTENCIA

No cargue la luz LED usted solo. Por favor, comuníquese al servicio de post venta para solicitar un reemplazo. No acatar esta advertencia podrá resultar en lesiones o en la muerte por descarga eléctrica.

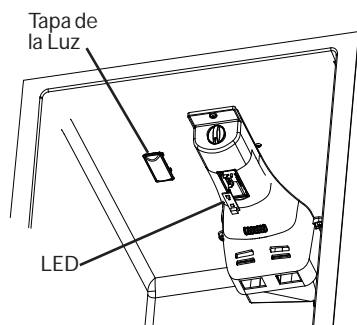


Fig. 10

INTERRUPCIONES DE ENERGÍA

En caso de una interrupción de energía, desconecte el refrigerador de la fuente de energía. Evite abrir las puertas y hágalo hasta que se haya restablecido la energía. El refrigerador mantendrá una temperatura fría durante más tiempo si se evita abrir la puerta o si se abre lo mínimo.

Una vez que se haya restablecido la energía, vuelva a conectar el refrigerador a la fuente de energía y revise los alimentos para ver si hay alguno en descomposición o que se haya descongelado. Se recomienda ampliamente limpiar el refrigerador después de una falla de energía prolongada para evitar olores y peligros potenciales contra la salud a causa de alimentos descongelados.

VACACIONES

Durante las vacaciones o ausencias prolongadas, desenchufe el refrigerador y retire toda la comida del mismo. Limpie el refrigerador, incluyendo las juntas, de acuerdo con la sección de Cuidado y Mantenimiento Adecuados. Deje las puertas abiertas para permitir que circule aire dentro del refrigerador.

MUDANZA

Antes de mover el refrigerador, saque todos los alimentos que tenga guardados en él y utilice cinta adhesiva para asegurar todos los artículos sueltos como repisas, compartimientos de la puerta y rejillas, cajones para verduras y demás compartimientos, y desconéctelo. Mueva siempre el refrigerador en posición vertical para evitar dañar el sistema de refrigerante sellado.

SOLUCIÓN DE PROBLEMAS

SONIDOS DE FUNCIONAMIENTO NORMAL

ZUMBIDO... SILBIDO...

- Es posible que el nuevo compresor de alta efectividad funcione más rápido y por más tiempo que aquel de su refrigerador antiguo, y es posible que escuche un zumbido o sonido de pulsación en un tono alto mientras está funcionando.
- Es posible que se escuchen zumbidos al cerrar las puertas. Esto se debe al equilibrio de la presión dentro del refrigerador.

SONIDOS DE CLIC, ESTALLIDOS, ROTURAS y CHASQUIDOS

- Es posible que escuche sonidos de roturas o estallidos cuando se enchufe el refrigerador por primera vez. Esto sucede mientras el refrigerador se enfría hasta la temperatura correcta.
- La expansión y contracción de las bobinas de enfriamiento durante y después de la descongelación pueden producir sonidos de roturas o estallidos.
- En los modelos con máquina de hacer hielo, luego de un ciclo de producción de hielo, es posible que escuche los cubos de hielo caer al recipiente del hielo.
- En los modelos con dispensador, cuando se dispense el agua es posible que se escuche el movimiento de las tuberías de agua al iniciar el proceso y luego de que el botón del dispensador sea liberado.

Si el refrigerador fue colocado en una posición horizontal durante un período de tiempo, espere 24 horas antes de volver a colocar la unidad en la posición derecha y enchufarla.

IMPORTANTE

Durante el ciclo de descongelación automática, es posible que observe un brillo rojo en las ventilaciones sobre la pared trasera del compartimiento del freezer. Esto es normal durante el ciclo de descongelación.

¡RUNRUNEO!



- Es posible que se escuchen los ventiladores girar en altas velocidades. Esto sucede cuando el refrigerador se enchufa por primera vez, cuando las puertas se abren con frecuencia o cuando una gran cantidad de comida es agregada a los compartimientos del refrigerador o del freezer. Los ventiladores están ayudando a mantener las temperaturas correctas.
- Los ventiladores cambian de velocidad a fin de proveer un enfriamiento óptimo y ahorros de energía.

SONIDOS DEL AGUA



- Es posible que el flujo de refrigerante a través de las bobinas de enfriamiento produzca un gorgoteo similar a agua hirviendo.
- El agua que cae sobre el calentador de descongelación puede producir un sonido de chisporroteo, estallido o zumbido durante el ciclo de descongelación.
- Es posible que se escuche un sonido de goteo durante el ciclo de descongelación, a medida que el hielo se derrite desde el evaporador y fluye hasta la olla de drenaje.
- Cerrar la puerta podrá provocar un sonido de gorgoteo debido a la igualación de la presión.

SOLUCIÓN DE PROBLEMAS

Pruebe las soluciones sugeridas aquí y posiblemente se evite el gasto de una visita de servicio técnico.

PROBLEMA	CAUSAS POSIBLES	SOLUCIÓN
El refrigerador no funciona.	El refrigerador está desconectado.	Conecte el cable de suministro eléctrico a la fuente de energía.
	El interruptor de carga se disparó o apagó/el fusible se fundió.	Restablezca/encienda el interruptor de carga o cambie el fusible.
	El refrigerador está en modo de descongelamiento.	Espere aproximadamente 30 minutos para que termine el ciclo de descongelamiento y para que se restablezca el sistema de enfriamiento.
El refrigerador o el congelador están demasiado calientes.	El control de temperatura no está configurado lo suficientemente bajo.	Gire la perilla de temperatura hacia la derecha para ajustar a una temperatura más baja; deje transcurrir 24 horas para que se ajuste.
	Las puertas se abren con frecuencia o se quedan abiertas.	Mantenga cerradas las puertas/verifique que no haya un empaque que esté impidiendo que se cierre la puerta.
	Se guardaron alimentos calientes recientemente.	Deje pasar un tiempo para que el alimento y el refrigerador se enfrien.
	Los objetos que están en la parte trasera de los compartimientos están bloqueando el flujo de aire adecuado.	Coloque los objetos sólo dentro de la moldura de las repisas de vidrio, no en los costados de los compartimientos ni directamente enfrente de los orificios de ventilación.
	El refrigerador se encuentra en el modo de descongelación flexible	Esto es normal. El ciclo de descongelación dura aproximadamente 30 minutos
El refrigerador o el congelador está demasiado frío.	El control de temperatura está ajustado muy bajo.	Gire la perilla hacia la izquierda para cambiar a un ajuste más caliente; deje transcurrir 24 horas para que se ajuste.
El refrigerador entra en funcionamiento con demasiada frecuencia o por periodos largos.	Es normal cuando se conecta por primera vez.	Deje transcurrir 24 horas para que el refrigerador se enfrie.
	Se han guardado alimentos calientes o grandes cantidades de comida.	Esto es normal.
	La puerta se dejó abierta.	Asegúrese de que la puerta no quede abierta por algún objeto.
	Clima caliente o se abre con frecuencia. Esto es normal.	Esto es normal.
	El control de temperatura está ajustado en lo más frío.	Ajuste la perilla a una configuración más caliente.
Humedad en el exterior/interior del refrigerador	Nivel alto de humedad.	Esto es normal; seque la superficie y ajuste la perilla de la temperatura a una configuración ligeramente más fría.
	Las puertas se abren con frecuencia o se quedan abiertas.	Mantenga cerradas las puertas/verifique que no haya un empaque que esté impidiendo que se cierre la puerta.
	Recipiente de agua abierto en el refrigerador.	Tape o selle el recipiente.

SOLUCIÓN DE PROBLEMAS

Pruebe las soluciones sugeridas aquí y posiblemente se evite el gasto de una visita de servicio técnico.

PROBLEMA	CAUSAS POSIBLES	SOLUCIÓN
El refrigerador despidе un olor.	Los alimentos no están sellados o empacados de manera adecuada.	Vuelva a sellar el empaque/coloque una caja abierta de bicarbonato de sodio en el refrigerador y replácela cada tres meses.
	El interior necesita limpieza.	Siga las instrucciones de limpieza en la sección Cuidado y mantenimiento adecuados.
La luz no enciende.	El refrigerador está desconectado.	Conecte el refrigerador a la fuente de energía.
	El interruptor de la luz se atasca	Interruptor ubicado del lado derecho del Compartimiento de Comidas Frescas. Asegúrese de que se mueve libremente cuando se presiona manualmente hacia dentro y hacia fuera.
	Luz LED rota	Comuníquese con el servicio de post venta para solicitar un reemplazo
Escarcha o cristales de hielo en los alimentos congelados.	La puerta del congelador se dejó abierta o se estuvo abriendo con frecuencia.	Gire la perilla hacia la izquierda para cambiar a un ajuste más caliente; deje transcurrir 24 horas para que se ajuste.
	Hay objetos que bloquean los orificios de ventilación del congelador e impiden el flujo de aire adecuado.	Aleje los objetos de la pared posterior.
Aire caliente o tibia de la parte inferior del refrigerador.	Flujo de aire procedente del compresor durante el proceso de refrigeración.	Esto es normal.
Los alimentos se congelan en el refrigerador.	Hay alimentos colocados cerca de los orificios de ventilación.	Aleje los alimentos de la parte trasera y superior del refrigerador.
	La perilla de control de temperatura está configurada en demasiado frío.	Ajuste la perilla hacia la izquierda a una configuración más caliente.
La puerta del congelador se abre por sí sola cuando se cierra la puerta del refrigerador.	Es normal si la puerta del congelador se cierra por sí sola después.	Si la puerta del congelador se cierra por sí sola, es indicativo de que sella bien.
	Si la puerta del congelador no se cierra por sí sola después de abrirse, ajuste las patas niveladoras.	Consulte las instrucciones para nivelar las patas en la sección Instalación del refrigerador.
La puerta no se cierra de manera adecuada.	El refrigerador no está nivelado.	Consulte las instrucciones para nivelar las patas en la sección Instalación del refrigerador.
	Algo está obstruyendo el cierre de la puerta.	Verifique y retire los objetos que obstruyan.
Vibración o golpe-teo.	El refrigerador no está firmemente apoyado en el piso.	Consulte las instrucciones para nivelar las patas en la sección Instalación del refrigerador.

GARANTÍA LIMITADA

12 meses por piezas y mano de obra

Durante 12 meses desde la fecha de compra minorista original, GE Appliances reemplazará cualquier pieza del refrigerador que falle debido a un defecto en los materiales o la fabricación. GE Appliances podrá, a su criterio, reemplazar o realizar la reparación de la unidad defectuosa. En caso de que GE Appliances decida realizar el servicio técnico sobre la unidad, GE Appliances brindará sin costo cualquier pieza que falle debido a un defecto en los materiales o la fabricación, junto con cualquier trabajo o costos relacionados con el servicio para reemplazar la pieza defectuosa. Durante este periodo, si GE Appliances decide reemplazar la unidad, podrá hacerlo brindándole a usted un certificado canjeable en un minorista, el cual podrá ser usado para un producto de reemplazo.

NOTA: Esta garantía comienza en la fecha de compra de este producto, y el recibo original deberá presentarse al representante autorizado de servicio antes de hacerse las reparaciones bajo la garantía.

PARA OBTENER SERVICIO BAJO LA GARANTÍA

Para los clientes de EE.UU., todo el servicio de garantía deberá ser provisto por nuestros Centros de Servicio de Fabricación, o por un técnico autorizado del Servicio al Cliente. Para programar una visita del servicio técnico, llame al 1.877.337.3639.

Cuando llame para solicitar el servicio, tenga los números de serie y modelo disponibles.

En Canadá, llame al 1.877.470.9174.

EXCLUSIÓN DE GARANTÍAS IMPLÍCITAS - Su única y exclusiva alternativa es la reparación del producto, como se indica en la Garantía Limitada. Las garantías implícitas, incluyendo garantías implícitas de comerciabilidad o conveniencia sobre un propósito particular, se limitan a un año o al periodo más corto permitido por la ley.

Lo que no está cubierto bajo esta garantía:

Viajes del técnico del servicio a su hogar para enseñarle sobre cómo usar el producto.

Instalación inadecuada, entrega o mantenimiento.

Fallas del producto en caso de abuso, mal uso, o uso para propósitos diferentes al original o uso comercial.

Pérdida de alimentos por mal estado.

Daño causado después de la entrega.

Reemplazo de fusibles de la casa o reinicio de disyuntores.

Reemplazo de las bombillas de luz.

Daños ocasionados sobre el producto por accidente, incendio, inundaciones o catástrofes naturales.

Daños consecuentes o incidentales causados por posibles defectos de este producto.

Producto no accesible para brindar el servicio requerido.

Costos asociados cuando GE Appliances decide entregar al consumidor un certificado como forma de reemplazo del producto.

GARANTÍA LIMITADA

Para los clientes de los EEUU: Esta garantía se extiende al comprador original y a cualquier dueño subsiguiente de productos comprados para uso hogareño dentro de EE.UU. Si el producto está en un área donde no se encuentra disponible un Proveedor Autorizado del Servicio Técnico de GE Appliances, usted será responsable por el costo de un viaje o se podrá requerir que traiga el producto a una ubicación del Servicio Técnico de GE Appliances Autorizado para recibir el servicio. En Alaska, la garantía excluye el costo de envío o llamadas del servicio a su hogar.

Algunos estados no permiten la exclusión o limitación de daños fortuitos o consecuentes. Esta garantía le da derechos legales específicos y es posible que tenga otros derechos legales que varían entre un estado y otro. Para conocer cuáles son sus derechos legales, consulte a la oficina de asuntos del consumidor local o estatal o al Fiscal de su estado.

Garante US:

GE Appliances, a Haier company

Para Clientes en Canadá: Esta garantía se extiende al comprador original y a cualquier dueño subsiguiente de productos comprados para uso hogareño dentro de Canadá. El servicio técnico hogareño de la garantía será brindado en áreas donde Mabe se encuentre disponible y lo considere apropiado.

Garante Canada:

MC Commercial, Burlington, Ontario, L7R 5B6

INFORMACIÓN A TENER EN CUENTA

Le agradecemos la compra de este producto de marca Haier. Este manual para el usuario lo ayudará a obtener el mejor funcionamiento de su nuevo refrigerador.

Para referencia futura, anote el número de modelo y de serie y la fecha de compra. La placa con el número de modelo o de serie está ubicada en una etiqueta dentro del refrigerador.

Engrape la prueba de compra a este manual para asistirle cuando necesite obtener servicio bajo la garantía.

Número de modelo

Número de serie

Fecha de compra

IMPORTANT

Do Not Return This Product To The Store

If you have a problem with this product, please call 1-877-337-3639 for the name and telephone number of the nearest authorized service center.

DATED PROOF OF PURCHASE REQUIRED FOR WARRANTY SERVICE

IMPORTANT

Ne pas Réexpédier ce Produit au Magasin

En cas de problème avec ce produit, veuillez composer le 1-877-337-3639 pour connaître le nom et le numéro de téléphone du centre de service autorisé le plus proche.

PREUVE D'ACHAT DATÉE, NUMÉRO DE MODÈLE ET LE NUMÉRO DE SÉRIE REQUIS
POUR LE SERVICE DE GARANTIE

IMPORTANTE

No regrese este producto a la tienda

Si tiene un problema con este producto, por favor comuníquese al 1-877-337-3639 para solicitar el nombre y número telefónico del centro de servicio al cliente autorizado más cercano.

NECESITA UNA PRUEBA DE COMPRA FECHADA, NÚMERO DE MODELO
Y DE SERIE PARA EL SERVICIO DE LA GARANTÍA