

Haier

Installation Instructions
HDBL865ATS

24" Built-In Dishwasher



Part # 00XXXXXXXXX

TABLE OF CONTENTS

DISHWASHER SAFETY	2
INSTALLATION REQUIREMENTS	3
Tools and Parts.....	3
Location Requirements.....	5
Product Dimensions.....	6
Drain Requirements.....	7
Water Supply Requirements	8
Electrical Requirements	9
Wire Routing and Connection Requirements.....	10
INSTALLATION INSTRUCTIONS	11
Step 1- Unpack the Dishwasher	11
Step 2- Check Door Balance	11
Step 3- Adjust Leveling Legs	12
Step 4- Remove Kick Plate	13
Step 5- Install 90° Elbow	13
Step 6A- Prepare Cabinet Opening Using Existing Utility Hookups	14
Step 6B - Prepare Cabinet Opening Where There are No Existing Utility Hookups.....	17
Step 7- Position the Water Line and House Wiring.....	19
Step 8 – Insert Drain Hose Through Cabinet.....	20
Step 9 – Slide Dishwasher Partially Into Opening.....	21
Step 10 – Position Dishwasher Under Countertop	21
Step 11 - Level the Dishwasher	22
Step 12 - Connect Power Supply	23
Step 13 - Connect to Water Supply	26
Step 14 - Connect to Drain.....	27
Step 15 - Secure Dishwasher	28
Step 16 - Pre-Test Checklist.....	30
Step 17 - Test Dishwasher	31
Step 18 – Replace the Kick Plate	32

DISHWASHER SAFETY

Your safety and the safety of others are very important.

We have provided many important safety messages in this manual and on your appliance. Always read and obey all safety messages.



This is the safety alert symbol.

This symbol alerts you to potential hazards that can kill or hurt you and others. All safety messages will follow the safety alert symbol and either the word "DANGER," "WARNING" or "CAUTION."

These words mean:



An imminently hazardous situation. You could be killed or seriously injured if you don't immediately follow instructions.



A potentially hazardous situation which, if not avoided, could result in death or serious bodily injury.



A potentially hazardous situation which, if not avoided, may result in moderate or minor injury.

All safety messages will tell you what the potential hazard is, tell you how to reduce the chance of injury, and tell you what can happen if the instructions are not followed.

⚠ WARNING



Tip Over Hazard

Do not use dishwasher until completely installed.

Do not push down on open door.

Failure to follow these instructions can result in serious injury or cuts.

YOU NEED TO:

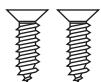
- Slowly open dishwasher door while someone grasps the rear of the dishwasher. Remove the drain hose and lower rack. Close dishwasher door until latched.
- Install this dishwasher as specified in these instructions.
- Installation should be performed by a qualified service technician. The dishwasher must be installed to meet all electrical and plumbing national and local codes and ordinances.
- The dishwasher must be installed to allow for future removal from the enclosure if service is required.

INSTALLATION REQUIREMENTS

TOOLS AND PARTS

Gather the required tools and parts before starting installation.

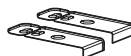
PARTS SUPPLIED



2 - #8 x $\frac{5}{8}$ " Phillips flat head wood screws



2 - Side mounting clips



2 - Top mounting clips



Hose clamp



Drain hose

PARTS NEEDED



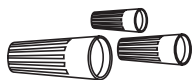
Ferrule, compression nut and 90° elbow with $\frac{3}{8}$ " N.P.T. external threads on one end. (The other end must fit your water supply line).



Hand shut-off valve



Thread seal tape



3 UL listed wire nuts



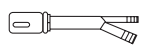
Waste tee
(house plumbing, if applicable)



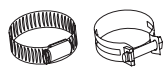
Electrical cable
(power cord, if applicable)



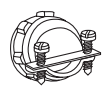
3/8" min. copper tubing water line



Air gap for drain hose (if required)



Hose clamps



Strain relief



Coupler (extending drain line, if applicable)

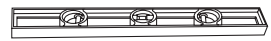
TOOLS NEEDED



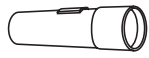
Phillips screwdriver



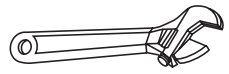
5/16" and 1/4" nutdriver



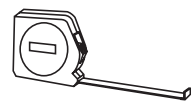
Level



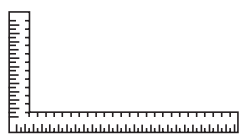
Flashlight



6" adjustable wrench



Measuring tape



Carpenters square



Safety glasses

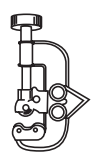


Bucket

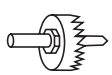


Gloves

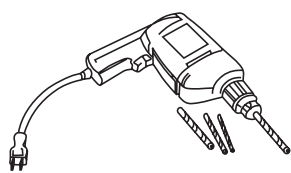
TOOLS NEEDED - NEW INSTALLATION ONLY



Tubing cutter

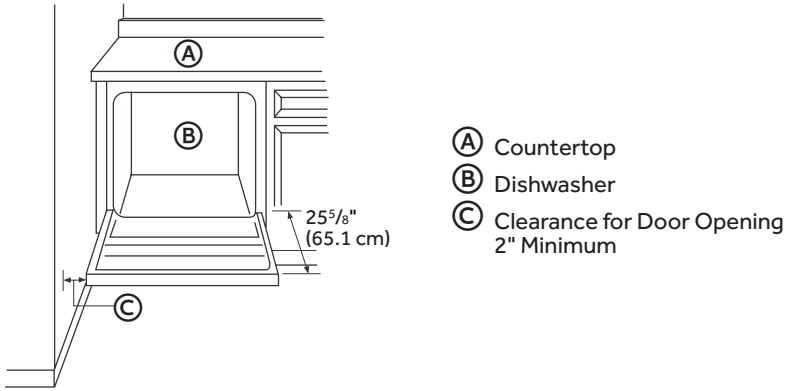


Hole saw set



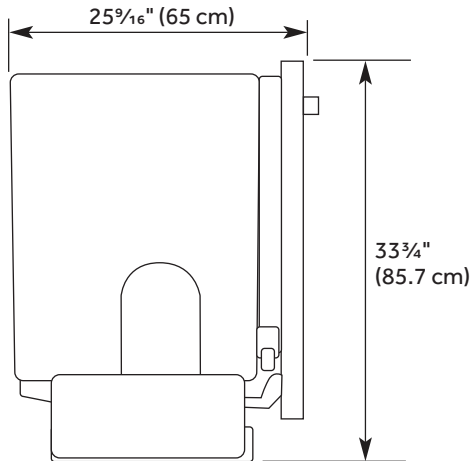
Drill and bits

- There must be a minimum of $25\frac{5}{8}$ " (65.1 cm) in front of dishwasher to allow door to fully open.

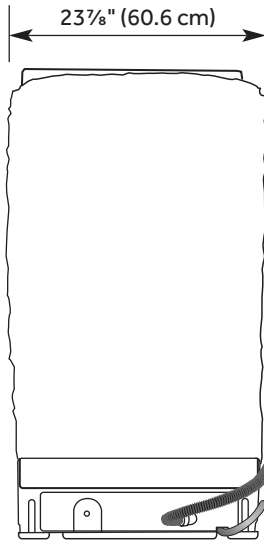


PRODUCT DIMENSIONS

Side View



Rear View

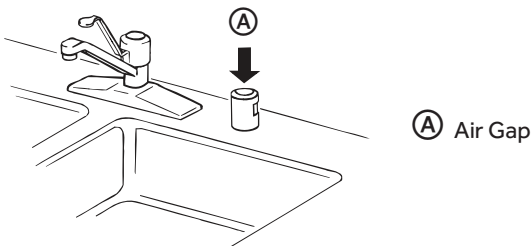


DRAIN REQUIREMENTS

- Use the new drain hose supplied with your dishwasher. If this is not long enough, use a new drain hose with a maximum length of 10 ft (3.05 m) that meets all current AHAM/IAPMO test standards, is resistant to heat and detergent, use 5/8" (1.58 cm) or 7/8" (2.2 cm) inside diameter (I.D.) hose and a coupler to connect the two hose ends. Secure the connection with two clamps.
- Dishwasher must be connected to waste line with an air gap (not supplied) or 32" (81.3 cm) minimum high drain loop, depending on local codes and ordinances to prevent backflow into the dishwasher.

IMPORTANT: Failure to provide the proper drain connection height with air gap or 32" (81.3 cm) minimum high drain loop will result in improper draining of the dishwasher.

- An air gap must be used if the waste tee or garbage disposal connection is less than 20" (50.8 cm) above the floor to avoid backflow.

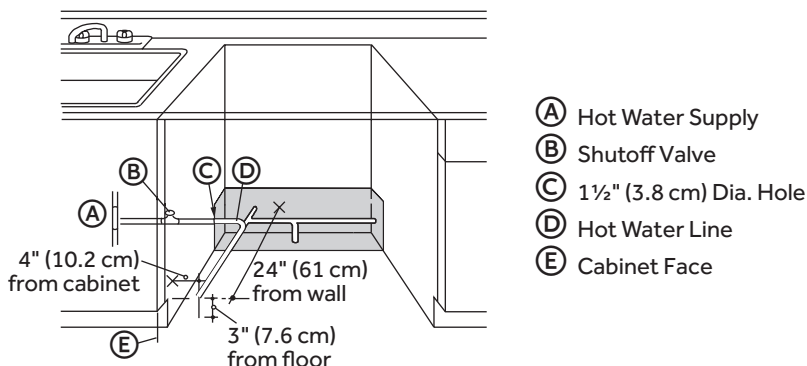


- Use 1/2" minimum I.D. drain line fittings.
- Do not connect drain lines from other devices to the dishwasher drain hose.

WATER SUPPLY REQUIREMENTS

- The pressure of the water coming from the hot water supply line must be 20-120 psi (138-862 kPa). The supply line may enter either from the right or left side, the rear or the floor within the shaded area.
- The water connection is located on the left front side of the dishwasher. Install the hot water inlet line, using a $\frac{3}{8}$ " min. copper tubing water line. Route the line as shown and extend it forward at least 24" (61 cm) from the rear wall.

NOTE: Routing the water line through the left side of cabinet opening will make water connection easier.



- The hot water line may either pass through the same hole as the electrical cable and drain hose, or cut an additional 1½" (3.8 cm) dia. hole for the water line.
- If the electrical cord has a three prong grounded plug, it cannot pass through the same hole as the hot water line and drain hose. You must cut a separate hole for the electrical cord.
- Adjust the water heater to a water temperature of 120°F to 150°F (49°C to 65.5°C).

ELECTRICAL REQUIREMENTS

WARNING



Electrical Shock Hazard

Installation and service must be performed by a qualified installer or service agency.

Always disconnect the power before servicing this unit.

This appliance must be properly grounded.

Failure to do so could result in death, fire, or electrical shock.

IMPORTANT:

- The dishwasher must be supplied with 120 volt, 60 Hz, AC-only, 15 or 20 amp., fused electrical supply.
- Wiring must be 2-wire with ground.
- If the electrical supply does not meet the above requirements, call a licensed, qualified electrician before proceeding.
- Contact a qualified electrician. Be sure that the electrical connection and wire size are adequate and in conformance with the National Electrical Code, ANSI/NFPA No. 70-latest edition and all local codes and ordinances.

A copy of the above code standards can be obtained from the website www.nfpa.org or:

National Fire Protection Association
One Batterymarch Park
Quincy, MA 02269

Grounding Instructions:

- The dishwasher must be connected to a grounded metal, permanent wiring system, or an equipment grounding conductor must be run with the circuit conductors and be connected to the equipment grounding terminal or lead on the dishwasher.

WIRE ROUTING AND CONNECTION REQUIREMENTS

Cabinet Preparation and Wire Routing

- Electrical connection is on the right front side of the dishwasher.

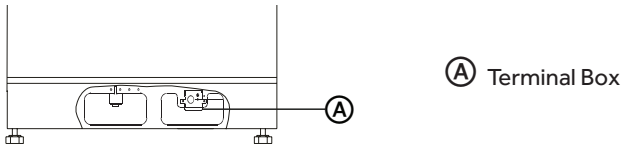
NOTE: Wiring the dishwasher will be easier if you route wire into the cabinet opening from the right side.

- The wiring may enter either from the right or left side, the rear or the floor within the shaded area.
- Wiring may pass through the same hole as the drain hose and hot water line or cut an additional 1½" (3.8 cm) dia. hole to admit the electrical cable.

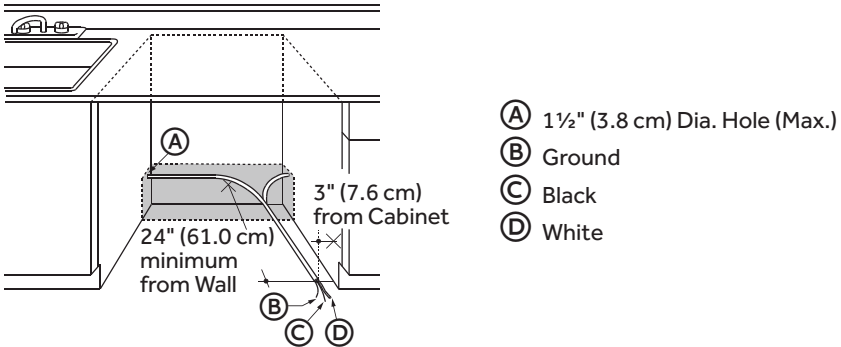
NOTE: The hole must be free of sharp edges. If the cabinet wall is metal, the edge of the hole must be covered with a bushing/grommet.

Electrical Connection to Dishwasher

Electrical connection is on the right front of dishwasher.



- For direct wire connections the cable must be routed as shown in the following graphic. Cable must extend a minimum of 24" (61 cm) from the rear wall.
- For power cord connections, have a qualified electrician install a 3 prong grounding type receptacle. The power-supply receptacle for the appliance shall be installed in a cabinet or on a wall adjacent to the under counter space in which the appliance is to be installed.



INSTALLATION INSTRUCTIONS

STEP 1- UNPACK THE DISHWASHER

WARNING



Suffocation Hazard

To avoid danger of suffocation, keep plastic bag and other packing material away from babies and children. Do not use this bag in cribs, carriages and playpens. The plastic bag could block nose and mouth and prevent breathing. This bag is not a toy.

Failure to follow these instructions can result in death or brain damage.

WARNING

Excessive Weight Hazard

Use two or more people to move and install dishwasher.

Failure to do so can result in back or other injury.

1. Remove and properly dispose of/recycle all packing material.
2. Stand dishwasher upright.

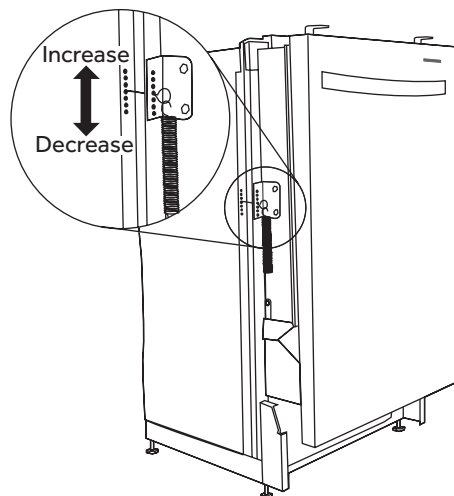
STEP 2- CHECK DOOR BALANCE

With another person holding the dishwasher to prevent it from tipping, open the door slowly. If the door drops when released, increase the spring tension. If the door closes when released, decrease the spring tension.

To adjust the spring tension:

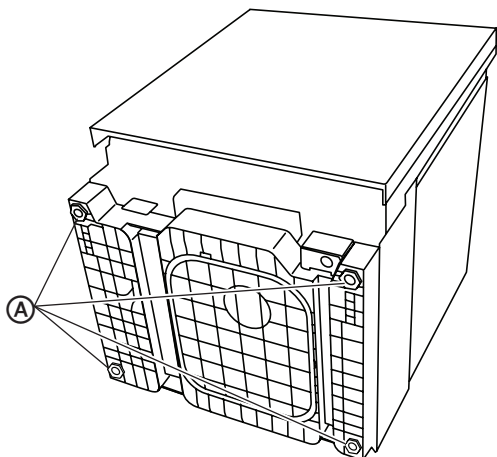
1. Pull the spring adjustment pin out of the holes. Insert the pin into the next highest or lowest hole.
2. Move the spring adjustment pins to the same holes on both the left-hand and right-hand sides.

- Retest the door, and continue moving the spring adjustment pin until the door is balanced.



STEP 3- ADJUST LEVELING LEGS

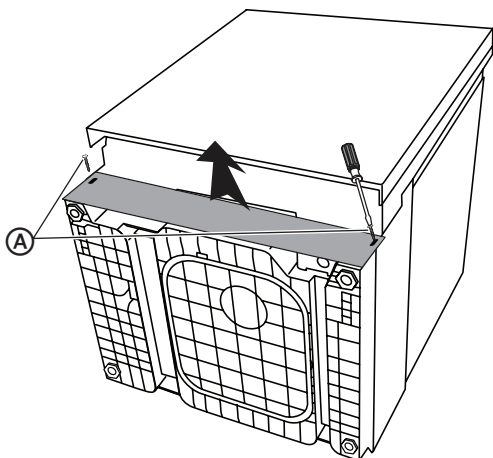
- Measure the dishwasher height and the height of the opening from the underside of countertop to floor where dishwasher will be installed (you need the lowest point).
- Extend the leveling legs out from the dishwasher base $\frac{1}{4}$ " (6 mm) less than the height of the opening.



Ⓐ Adjust to Installation Height

STEP 4- REMOVE KICK PLATE

1. Using a screwdriver, remove the screws attaching the kick plate to the cabinet.
2. Lift off the kick plate.



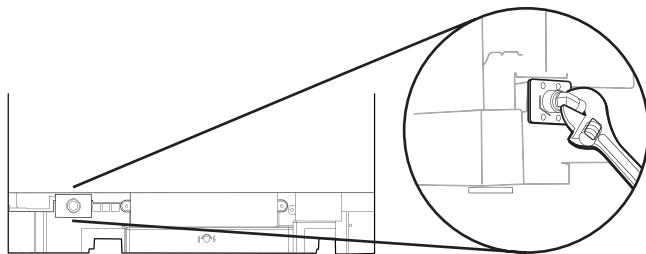
Ⓐ 2 Kick Plate Screws

STEP 5- INSTALL 90° ELBOW

1. Wrap the 90° elbow with thread seal tape, and then install it onto the water valve.

NOTE: To avoid damage to the water valve bracket and/or fitting, do not over tighten the elbow.

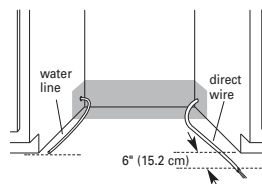
2. Position the end of the elbow to face the bottom right of the dishwasher.



STEP 6A- PREPARE CABINET OPENING USING EXISTING UTILITY HOOKUPS

- Follow the steps in this section if you are installing the dishwasher in an existing cabinet opening with utility hookups.
 - If you are installing the dishwasher in a cabinet opening that does not have hookups, follow the instructions under "Prepare Cabinet Opening Where there are No Existing Utility Hookups" in Step 6B.
- Check that the water line reaches to the front left of opening where the water connection will be made.
 - Check that the direct wire reaches to the front right of opening where the electrical connection will be made.

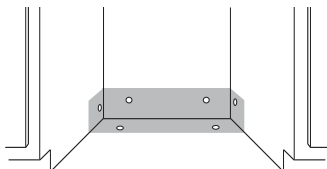
If the water line and the direct wire reach far enough into the opening, proceed to the next section "Install the drain hose." If they do not reach far enough, follow the instructions under "Prepare Cabinet Opening Where there are No Existing Utility Hookups" in Step 6B.



INSTALL THE DRAIN HOSE

IMPORTANT:

- Always use a new drain hose when installing a new replacement dishwasher.
- Keep the drain hose away from the floor and the edge of the hole where it passes through the cabinet to minimize the noise caused by vibration when using the dishwasher.



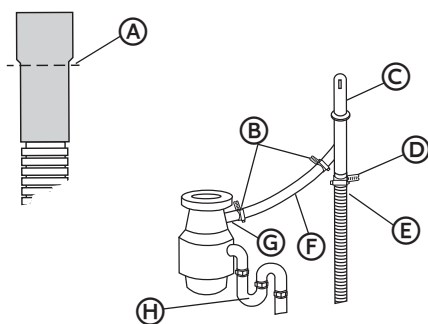
- Connect drain hose to waste tee or garbage disposal using one of the following methods.
 - Option 1** – Garbage Disposal - With Air Gap
 - Option 2** – No Garbage Disposal- With Air Gap
 - Option 3** – Garbage Disposal - No Air Gap*
 - Option 4** – No Garbage Disposal - No Air Gap*

*an air gap is recommended

Option 1 – (Garbage Disposal - With Air Gap):

1. Remove the garbage disposal knockout plug. Cut end of drain hose if needed (do not cut ribbed section).
2. Attach drain hose to air gap with screw-type clamp. If the drain hose was cut, use a 1½" to 2" (3.8 to 5 cm) screw-type clamp*.
3. Use a rubber hose connector* with spring or screw type clamps* to connect air gap to garbage disposal inlet.

This connection must be before the drain trap and at least 20" (50.8 cm) above the floor where dishwasher will be installed.



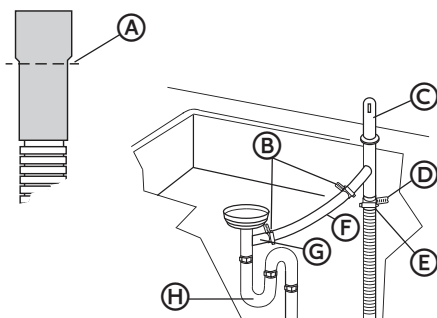
- (A) Drain Hose - Cut Here if Needed
- (B) Screw-Type Clamps
- (C) Air Gap
- (D) Screw-Type Clamp
- (E) Drain Hose
- (F) Rubber Hose Connector
- (G) Garbage Disposal Inlet
- (H) Drain Trap

*Parts available from local plumbing supply store.

Option 2 – (No Garbage Disposal- With Air Gap):

1. Cut end of drain hose if needed (do not cut ribbed section).
2. Attach drain hose to air gap with large spring-type clamp. If the drain hose was cut, use a 1½" to 2" (3.8 to 5 cm) screw-type clamp*.
3. Use a rubber hose connector* with spring or screw type clamps* to connect air gap to garbage disposal inlet.

This connection must be before the drain trap and at least 20" (50.8 cm) above the floor where dishwasher will be installed.



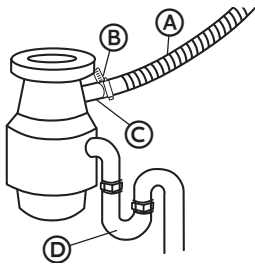
- (A) Drain Hose - Cut Here if Needed
- (B) Screw-Type Clamps
- (C) Air Gap
- (D) Screw-Type Clamp
- (E) Drain Hose
- (F) Rubber Hose Connector
- (G) Waste Tee
- (H) Drain Trap

*Parts available from local plumbing supply store.

Option 3 – (Garbage Disposal - No Air Gap):

1. Remove the garbage disposal knockout plug. Cut end of drain hose if needed (do not cut ribbed section).
2. Attach drain hose to garbage disposal inlet with screw-type clamp.
3. Use a rubber hose connector* with screw-type clamps* to connect garbage disposal inlet.

This connection must be before the drain trap and at least 20" (50.8 cm) above the floor where dishwasher will be installed. It is recommended that the drain hose be looped up and securely fastened to the underside of the counter. "See "Drain Requirements."



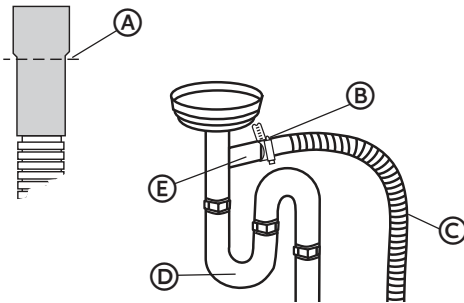
- Ⓐ Drain Hose
- Ⓑ Screw-Type Clamp
- Ⓒ Garbage Disposal Inlet
- Ⓓ Drain Trap

*Parts available from local plumbing supply store.

Option 4 – (No Garbage Disposal - No Air Gap):

1. Cut end of drain hose if needed (do not cut ribbed section).
2. Attach drain hose to waste tee with 1½" to 2" (3.8 to 5 cm) screw-type clamp*.

This connection must be before the drain trap and at least 20" (50.8 cm) above the floor where dishwasher will be installed. It is recommended that the drain hose be looped up and securely fastened to the underside of the counter. See "Drain Requirements."



- Ⓐ Drain Hose - Cut Here if Needed
- Ⓑ Screw-Type Clamps
- Ⓒ Drain Hose
- Ⓓ Drain Trap
- Ⓔ Waste Tee

*Parts available from local plumbing supply store.

STEP 6B - PREPARE CABINET OPENING WHERE THERE ARE NO EXISTING UTILITY HOOKUPS

INSTALL ELECTRICAL CONNECTION

⚠ WARNING



Electrical Shock Hazard

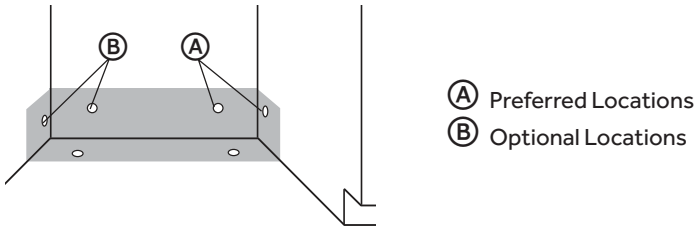
Disconnect electrical power at the fuse box or circuit breaker box before installing dishwasher.

Failure to do so can result in death or electrical shock.

Method 1 - Direct Wire

1. Drill a $\frac{3}{4}$ " (1.9 cm) hole into the right-hand cabinet, or the right-hand side of the back or floor of the opening. See following graphic for preferred and optional locations.

NOTE: Wiring the dishwasher will be easier if the wire is routed into the opening from the right-hand side.

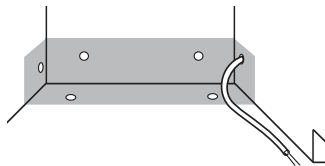


2. Remove sharp or rough edges by smoothing or covering the edges of the hole that the wiring passes through.

Wood Cabinet - Sand edge of hole until smooth.

Metal Cabinet - Cover edge of hole with grommet (not provided).

3. Route cable from power supply through cabinet hole (cable must extend to the right, front side of cabinet opening). Extend cable to 6" in front of unit and tape to floor. This will prohibit cable from moving when dishwasher is moved into cabinet opening.



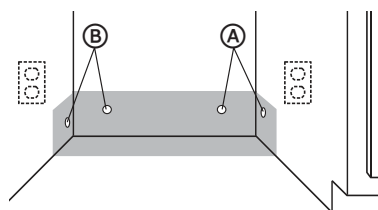
Method 2 - Power Supply Cord

IMPORTANT: A mating 3 prong, ground-type wall receptacle is required in a cabinet next to the dishwasher opening.

1. Drill a 1½" (3.8 cm) hole in the cabinet rear or side. Preferred and Optional locations are shown in the following graphic.
2. Smooth edges of hole for power cord.

Wood Cabinet - Sand edges of hole until smooth.

Metal Cabinet - Cover edges of hole with grommet (not provided).

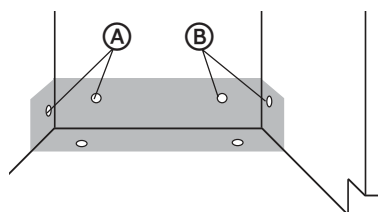


- (A) Preferred Locations
- (B) Optional Locations

INSTALL THE WATERLINE

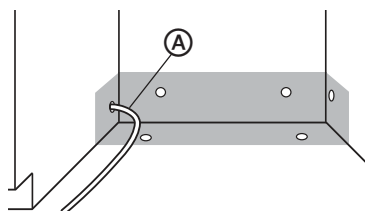
NOTE: Routing the water line through the left side of cabinet opening will make water connection easier.

1. Drill a ½" (1.3 cm) hole in the cabinet side, rear or floor. Preferred and optional locations are shown in the following graphic.
2. Measure to determine the overall length of copper tubing required for the water line.
3. Attach copper tubing to the manual shutoff valve.



- (A) Preferred Locations
- (B) Optional Locations

4. Slowly feed copper tubing through hole in cabinet. Copper tubing will bend and kink easily, so be gentle. The copper tubing should be far enough into the cabinet opening to connect it to the dishwasher inlet on the front left of the dishwasher.



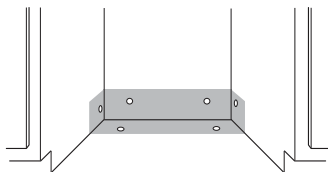
- (A) Copper Tubing

5. Slowly turn water shutoff valve to "ON" position. Flush water into a shallow pan to get rid of particles that may clog the inlet valve.
6. Turn shutoff valve to "OFF" position.

INSTALL THE DRAIN HOSE

IMPORTANT: Always use a new drain hose.

1. Drill a 1½" (3.8 cm) hole in cabinet wall or floor on the side of the opening closest to the sink.



2. See STEP 6A "Install the Drain Hose" for instructions to connect the drain hose to waste tee or garbage disposal using one of the following options:

- **Option 1** - Garbage Disposal - With Air Gap
- **Option 2** - No Garbage Disposal - With Air Gap
- **Option 3** - Garbage Disposal - No Air Gap*
- **Option 4** - No Garbage Disposal - No Air Gap*

*an air gap is recommended

STEP 7- POSITION THE WATER LINE AND HOUSE WIRING

⚠ WARNING

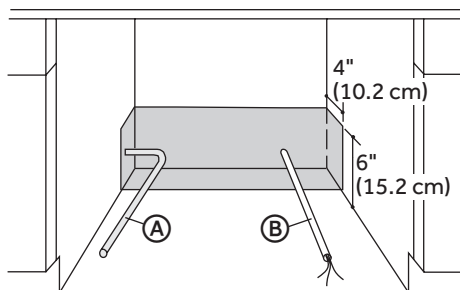


Electrical Shock Hazard

Disconnect electrical power at the fuse box or circuit breaker box before installing dishwasher.

Failure to do so can result in death or electrical shock.

1. Confirm power is turned off at the source.
2. Turn off water supply.



- Ⓐ Copper Supply Line
- Ⓑ House Wiring

3. Place the water supply line and the house wiring on floor of the opening to avoid interference with the base of the dishwasher and the components under the dishwasher.
4. Tape the wire to the floor 6" (15.2 cm) in front of unit. This will keep the wire from moving when the dishwasher is moved into cabinet opening.

STEP 8 – INSERT DRAIN HOSE THROUGH CABINET

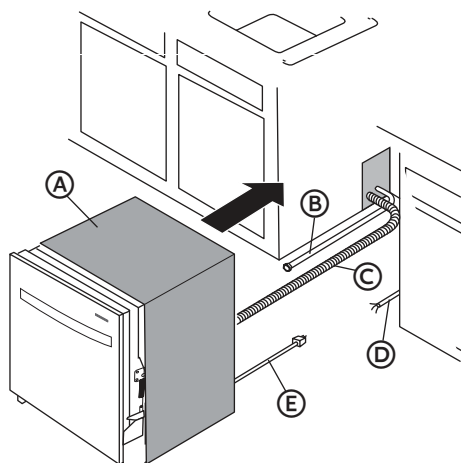
⚠ WARNING

Excessive Weight Hazard

Use two or more people to move and install dishwasher.

Failure to do so can result in back or other injury.

1. Using two or more people, stand the dishwasher upright.
2. Grasp the sides of the dishwasher at the edges of the door panel, and place the dishwasher in front of the opening.
3. Insert the drain hose into the hole in the cabinet wall.



- Ⓐ Insulation Blanket
- Ⓑ Water Line
- Ⓒ Drain Hose (Maximum Length 10 ft [3.0 m])
- Ⓓ House Wiring
- Ⓔ Power Cord (If Used)

STEP 9 – SLIDE DISHWASHER PARTIALLY INTO OPENING

⚠ WARNING



Tip Over Hazard

Do not use dishwasher until completely installed.

Do not push down on open door.

Failure to follow these instructions can result in serious injury or cuts.

1. Slide dishwasher into the opening a few inches at a time.

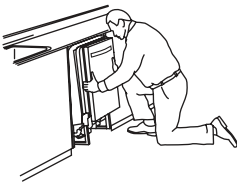
NOTE: Do not push against the front of the panel or on the console – they will dent.

2. Position power supply.
 - If dishwasher has a power supply cord, insert power supply cord into the hole cut into the cabinet.
 - If using a direct-wire connection, check that the wiring is on the right front side of opening.
3. Slowly move dishwasher completely into cabinet opening. As you proceed, pull the drain hose through the opening under the sink. Stop pushing when the dishwasher is a few inches forward of the adjacent cabinetry.
4. Make sure the drain hose is not kinked under the dishwasher and there is no interference with the water line and wiring or any other component.

STEP 10 – POSITION DISHWASHER UNDER COUNTERTOP

1. Push dishwasher completely into the opening so that the front corners of the dishwasher door are flush with the cabinet doors.

NOTE: It is all right if the dishwasher fits tightly into cabinet opening. Do not remove insulation blanket – the blanket reduces the sound travel.



Reposition dishwasher by grasping both sides with hands.



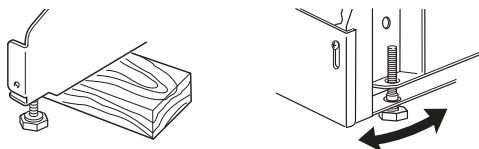
Do not push against front door panel with knee. Damage to the door panel will occur.

STEP 11 - LEVEL THE DISHWASHER

IMPORTANT: Dishwasher must be level for proper dish rack operation and wash performance.

1. Align front of dishwasher door panel with cabinet doors. You may need to adjust alignment to be even with your cabinets.

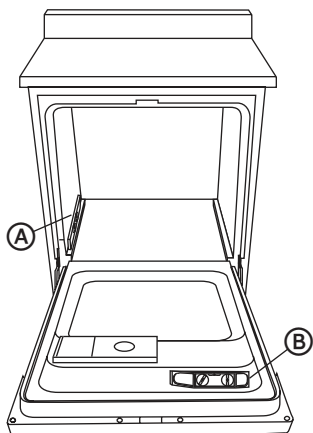
NOTE: Prop up one side of frame to hold dishwasher up off floor when adjusting front legs. With some installations, it may be easier to adjust the front leg using a 6" adjustable wrench.



2. Check that the leveling legs are firmly against the door.
3. Close and latch the door, and place level against the front panel. Check that dishwasher is plumb. If needed, adjust leveling leg or add shims until dishwasher is plumb.

NOTE: Shims must be securely attached to floor to prevent their movement when the dishwasher is operated.

4. Repeat for other side of dishwasher.
5. Place level on door and rack track inside the tub as shown. Check that dishwasher is level from side to side, and from back to front. If the dishwasher is not level, adjust front legs up or down until dishwasher is level.



- (A) Level Front to Back
- (B) Level Side to Side

NOTE: Pull lower rack out about halfway. If the rack rolls forward or back into the dishwasher, the dishwasher must be leveled again.

STEP 12 - CONNECT POWER SUPPLY

Use the power supply connection method specific to your model.

Method 1 - Direct Wire

⚠ WARNING



Electrical Shock Hazard

Electrically ground dishwasher.

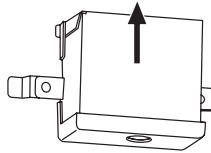
Connect ground wire to green ground connector in terminal box.

Do not use an extension cord.

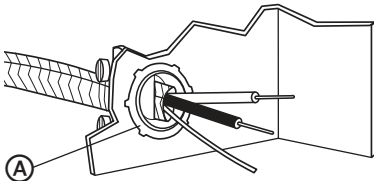
Failure to follow these instructions can result in death, fire, or electrical shock.

IMPORTANT: Contact a qualified electrician. Be sure that the electrical connection and wire size are adequate and in conformance with the National Electrical Code, ANSI/NFPA No. 70-latest edition and all local codes and ordinances.

1. Confirm that power is turned off at the source.
2. Remove terminal box cover. Retain for later use.

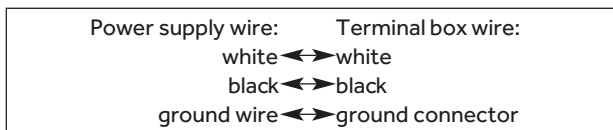


3. Install a UL listed/CSA approved strain relief.
4. Route direct wire so that it does not touch dishwasher motor or lower part of dishwasher tub.
5. Pull direct wire through strain relief in terminal box.



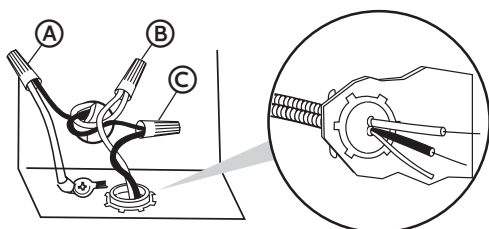
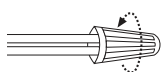
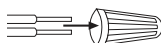
Ⓐ Strain Relief

6. Connect the wires as follows using UL listed wire nuts of the appropriate size to connect direct wire to 16-gauge dishwasher wire.



NOTES:

- Use UL listed wire nuts of the appropriate size to connect your household wiring to 16-gauge dishwasher wiring.
- Insert wire ends into twist on connector. Do not pre-twist bare wire.
- Twist connector.
- Gently tug on wires to be sure both wires are secured.



- (A) Ground
- (B) White
- (C) Black

7. Tighten strain relief screws to secure cord.
8. Reinstall terminal box cover with wires inside terminal box.
9. Make sure wires are not pinched by cover.

Method 2 - Power Supply Cord

⚠ WARNING

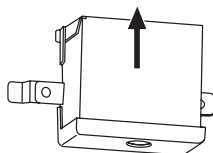


Electrical Shock Hazard

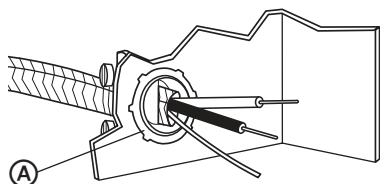
- Plug into a grounded 3 prong outlet.
- Do not remove the ground prong from the power cord plug.
- Do not use an adapter.
- Do not use an extension cord.
- Failure to do so can result in death, fire or electrical shock.

IMPORTANT: The power cord and connections must comply with the National Electrical Code, Section 422 and/or local codes and ordinances. Recommended cord length is 54" min. and 64" max.

1. Confirm that power is turned off at the source.
2. Remove terminal box cover. Retain for later use.



3. Install a UL listed/CSA approved strain relief.
4. Route power cord so that it does not touch dishwasher motor or lower part of dishwasher tub.
5. Pull power cord through strain relief in terminal box.



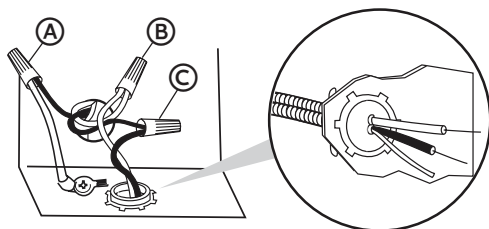
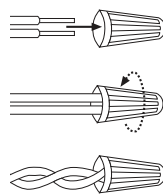
(A) Strain Relief

6. Connect the wires as follows using UL listed wire nuts of the appropriate size to connect power cord to 16-gauge dishwasher wire.

Power supply wire:	Terminal box wire:
white	white
black	black
ground wire	ground connector

NOTES:

- Use UL listed wire nuts of the appropriate size to connect the power cord to 16-gauge dishwasher wiring.
- Insert wire ends into twist on connector. Do not pre-twist bare wire.
- Twist connector.
- Gently tug on wires to be sure both wires are secured.



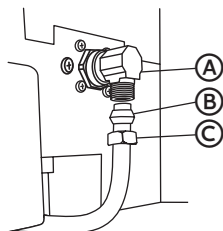
(A) Ground
(B) White
(C) Black

7. Tighten strain relief screws to secure cord.
8. Reinstall terminal box cover with wire nuts inside terminal box.
9. Make sure wires are not pinched by cover.

STEP 13 - CONNECT TO WATER SUPPLY

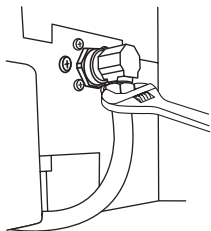
Compression fittings:

- Slide nut onto copper tubing about 1" (2.5 cm).
- Slide ferrule onto the tubing. Do not position ferrule on the end of the tubing.
- Put the tubing into the elbow as far as it will go.
- Slide the nut and ferrule forward and start the nut onto the elbow threads. Be gentle when handling and positioning the copper tubing, it bends and kinks easily.



- Ⓐ Elbow
- Ⓑ Ferrule
- Ⓒ Compression Fitting Nut

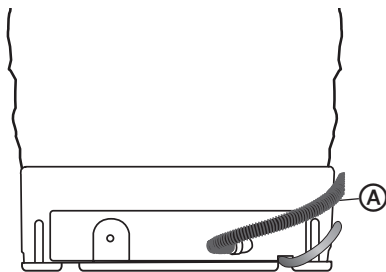
1. Route the water supply line so that it does not touch the dishwasher base, frame, or motor to minimize the noise caused by vibration when using the dishwasher.
2. With copper tubing pushed into elbow as far as it will go, use a wrench and tighten compression fitting nut to elbow on water inlet valve. Do not use thread seal tape with compression fittings.



3. Place paper towel under elbow. Turn on water supply and check for leaks.

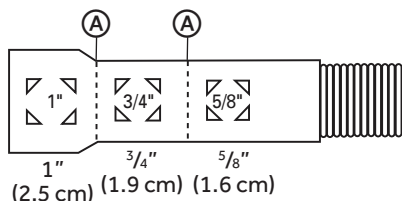
STEP 14 - CONNECT TO DRAIN

1. Route the drain hose to avoid contact with motor, door springs, water line, cabinet, flooring or the edge of the hole where it passes through the cabinet to minimize the noise caused by vibration when using the dishwasher.
2. Do not remove drain loop from side of dishwasher.
3. Place pan under end of drain hose. Pan will collect water in drain hose.



(A) Drain Hose

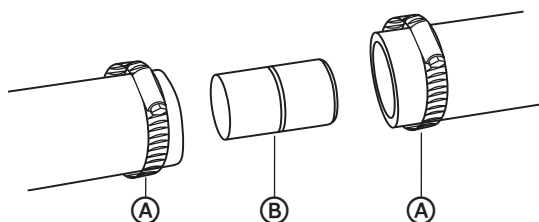
4. The drain hose molded end will fit $\frac{5}{8}$ " (1.6 cm), $\frac{3}{4}$ " (1.9 cm) or 1" (2.5 cm) diameter connections on the air gap, waste tee or disposal. Cut on the marked line as required for your installation.



(A) Cutting Lines

5. Use $\frac{5}{8}$ " or $\frac{7}{8}$ " inside diameter hose and a coupler to connect the two hose ends. Secure the connection with hose clamps.
6. Secure the drain hose to the air gap, waste tee or garbage disposal with clamps.

NOTE: Total drain hose length must not exceed 10 ft (3.05 m), for proper drain operation.



(A) Hose Clamp

(B) Coupler

STEP 15 - SECURE DISHWASHER

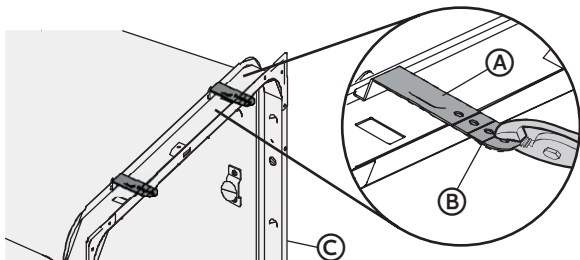
Depending on the material of your countertop, use either instructions to "Install to Countertop" or "Install to Adjacent Cabinets" to secure your dishwasher.

Install to Countertop

The dishwasher must be secured to the countertop using the two mounting clips on top of the dishwasher.

1. Insert the mounting clips into the front, top slots of the dishwasher.

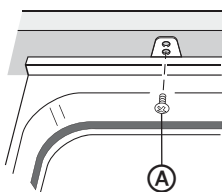
NOTE: The top mounting clips have a break off point, so a section of the clip can be removed, if necessary, to fit the depth of the cabinet.



- (A) Mounting Clips
- (B) Break Off Point
- (C) Tub Flange

2. Open the dishwasher door and remove lower dish rack.
3. Place a towel over the pump assembly and spray arm of dishwasher to keep screws from falling into pump area during installation.
4. Check that the dishwasher is level and centered side to side in the opening.
5. Check that the tub flange aligns with the front face of the cabinet frame.
6. Using two Phillips screws (provided), fasten the two mounting clips on the top of the dishwasher to the underside of the countertop.

NOTE: The dishwasher must be attached to the countertop to keep it from tipping when the door is opened.



- (A) #8 x 5/8" Phillips Flat-Head Screw

7. Open the door about 3" (7.6 cm) and check that the space between the inner door and tub is equal on both sides.
8. If spacing is not equal, loosen the mounting clip screws and shift the tub. Retighten bracket screws.
9. Check that the top of the door does not contact the screws, mounting clips or countertop. If it does, the dishwasher must be lowered and leveled again. See "Level The Dishwasher."
10. If spacing is not equal, loosen the bracket screws and shift the tub. Retighten the bracket screws.

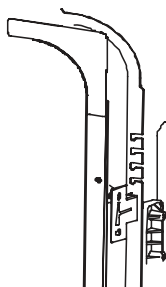
11. Remove towel from dishwasher.

12. Reinstall the lower dish rack.

Install to Adjacent Cabinets

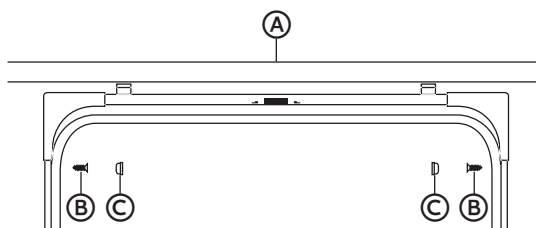
When countertops are granite or other materials that will not accept screws, secure dishwasher with side mounting brackets.

1. Insert the mounting clips into the side slot of the dishwasher.



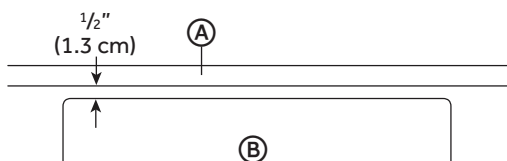
2. Open the dishwasher door, and then use a flat-blade screwdriver or prying tool to remove hole covers (one on each side).

3. Install screws through the dishwasher side mount bracket and into the adjacent cabinet on each side. Reinstall the hole covers.



- (A) Granite Countertop
- (B) Screw
- (C) Hole Cover

4. Close dishwasher door and verify that gap between countertop and top of dishwasher door is at least $\frac{1}{2}$ ".



- (A) Countertop
- (B) Dishwasher Door

STEP 16 - PRE-TEST CHECKLIST

1. Check that the power is OFF.
2. Open dishwasher and remove all foam and paper packaging. Properly dispose of/ recycle all packing material.
3. Locate User Manual in the literature package.
4. Read User Manual for operating instructions.
5. Check door opening and closing. If door does not open and close freely or tends to fall, check spring adjustments. See "Check Door Balance."
6. Check that wiring is secure under the dishwasher, not pinched or in contact with door springs or other components. See "Position the Water Line and House Wiring."
7. Check door alignment with tub. If door hits tub, level dishwasher. See "Level the Dishwasher."
8. Check that the lower rack neither rolls forward nor back into the dishwasher when pulled out about half way. If it does, adjust leveling legs. See "Level the Dishwasher."
9. Check door alignment with cabinet. If door hits cabinet, reposition or level the dishwasher. See "Level the Dishwasher."
10. Verify that the water supply and drain lines are not kinked or in contact with other components.
11. Turn on the sink hot water faucet and verify water temperature. Incoming water temperature must be between 120°F and 150°F (49°C and 65°C). A minimum of 120°F (49°C) temperature is required for best wash performance.
12. Add 2 quarts (1.9 L) of water to the bottom of the dishwasher to lubricate the pump seal.
13. Turn on water supply. Check for leaks. Tighten connections if needed.
14. Remove protective film, if present, from the control panel and door.

STEP 17 - TEST DISHWASHER

1. Connect to power supply.

DIRECT WIRE METHOD:

WARNING



Electrical Shock Hazard

Electrically ground dishwasher.

Connect ground wire to green ground connector in terminal box.

Do not use an extension cord.

Failure to follow these instructions can result in death, fire, or electrical shock.

- Turn on power at source.

POWER SUPPLY CORD METHOD:

WARNING



Electrical Shock Hazard

Plug into a grounded 3 prong outlet.

Do not remove the ground prong from the power cord plug.

Do not use an adapter.

Do not use an extension cord.

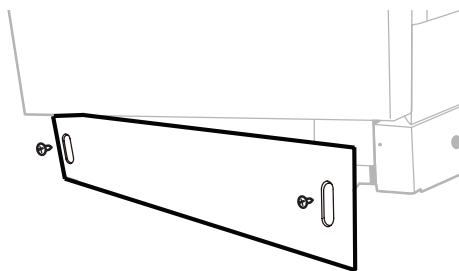
Failure to do so can result in death, fire or electrical shock.

- Plug into a grounded 3 prong outlet.
 - Make sure the power cord does not touch the dishwasher motor or the lower part of the dishwasher tub.
2. Close door and turn on dishwasher.

3. Select Rinse Only cycle; and press START/CANCEL.
4. After the first 2 minutes, unlatch door, wait 5 seconds, and then open door. Check to see that there is water in the bottom of the dishwasher tub. Check that dishwasher is working properly.
5. Check for leaks under the dishwasher. If a leak is found, turn power supply off, then tighten connections. Restore power after leak is corrected.
6. Check for leaks around the door. A leak around the door could be caused by door rubbing or hitting against adjacent cabinetry. Reposition the dishwasher, if necessary.
7. When the dishwasher is draining, check the drain lines. If leaks are found, turn power off at the breaker and correct plumbing as necessary. Restore power after corrections are made.
8. Open dishwasher door and make sure most of the water has drained. If not, check that disposal plug has been removed and/or air gap is not plugged. Also check drain line for kinking.
9. Run the dishwasher through another Rinse Only cycle and drain.

STEP 18 – REPLACE THE KICK PLATE

1. Place the kick plate against the kick plate bracket. The slots should align with the kick plate bracket screw holes. Allow the bottom edge of the lower kick plate to touch the floor.
2. Fasten with the two kick plate screws.



IMPORTANT

Do Not Return This Product To The Store
If you have a problem with this product, please contact the
"Haier Customer Satisfaction Center" at
1-877-337-3639.

DATED PROOF OF PURCHASE, MODEL #, AND SERIAL #
REQUIRED FOR WARRANTY SERVICE

Made in China

Haier

Haier America
Wayne, NJ 07470