

Haier

User Manual
Manuel d'utilisation
Manual para el usuario

HLTD500AEW/HLTD500AGW/HLTD500ACW

Gas and Electric Clothes Dryers

Sécheuses électriques et à gaz

Secadoras de ropa a gas y eléctricas

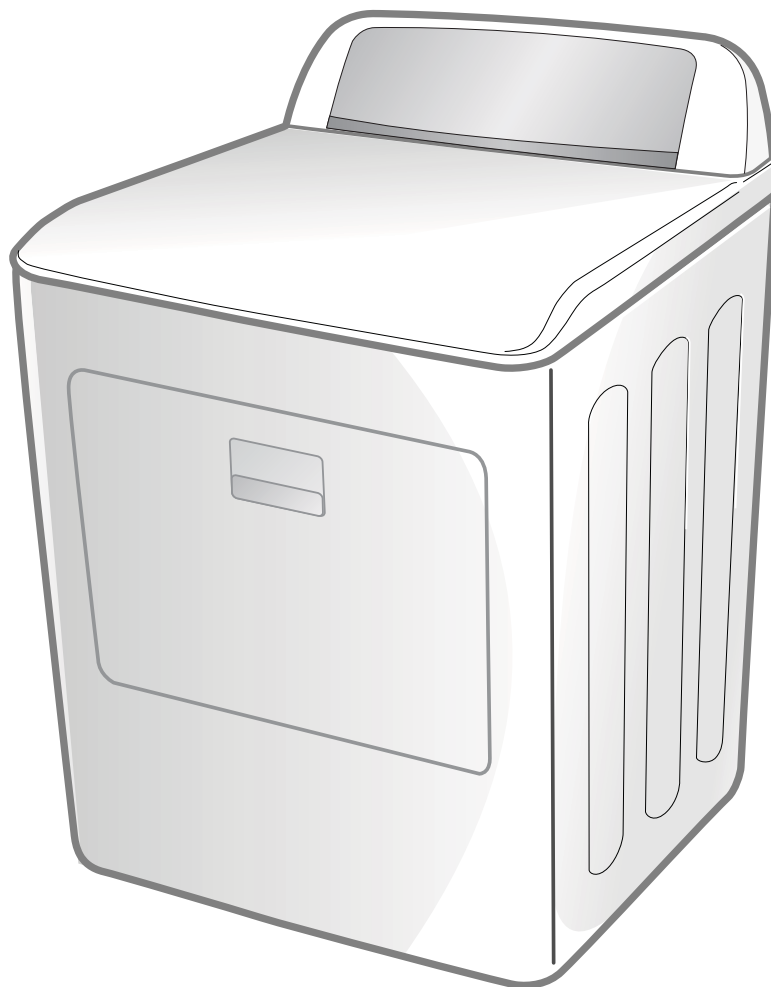


TABLE OF CONTENTS

- IMPORTANT SAFETY INSTRUCTIONS 2**
 - Gas Dryer Precautions 3
 - General Safety Precautions 4
- PARTS AND FEATURES 5**
- INSTALLATION INSTRUCTIONS 6**
 - Tools Needed 6
 - Additional Parts Required..... 7
 - Location Requirements 7
 - Electrical & Gas Supply Requirements..... 9
 - Gas Supply Connection Requirements..... 12
 - Burner Input Requirements..... 13
 - Exhaust System Requirements..... 13
 - Mobile Home - Additional Requirements 15
- STEP BY STEP INSTRUCTIONS 16**
 - Step 1 - Unpack the Dryer 16
 - Step 2 - Attach a Power Cord to the Dryer (Electric Dryer Only) 16
 - Step 2 - Connect to a Gas Supply Line (Gas Dryer Only) 19
 - Step 3 - Connect to an Exhaust System..... 20
 - Step 4 - Level the Dryer 21
 - Step 5 - Complete the Installation..... 21
- CONTROL PANEL AND FEATURES 22**
- OPERATING INSTRUCTIONS 26**
 - Step 1 - Prepare and Sort Laundry 26
 - Step 2 - Clean the Lint Screen 26
 - Step 3 - Load the Dryer 27
 - Step 4 - Start the Dryer 27
- CARE AND CLEANING GUIDE..... 28**
 - Cleaning and Maintenance 28
 - Washing the Lint Screen..... 28
 - Removing Accumulated Lint..... 28
 - Replace Interior Drum Light Bulb..... 29
 - Vacationing Precautions 29
 - Moving or Storage Preparation 29
- TROUBLESHOOTING 30**
- LIMITED WARRANTY 32**

RECORD KEEPING

Thank you for purchasing this Haier product. This user manual will help you get the best performance from your new dryer.

For future reference, record the model and serial number located behind the dryer door, and the date of purchase.

Staple your proof of purchase to this manual to aid in obtaining warranty service if needed.

_____ Model number

_____ Serial number

_____ Date of purchase

IMPORTANT SAFETY INSTRUCTIONS**⚠ WARNING**

WARNING: For your safety, the information in this manual must be followed to minimize the risk of fire or explosion, or to prevent property damage, personal injury, or death.

- Do not store or use gasoline or other flammable vapors and liquids in the vicinity of this or any other appliance.
- WHAT TO DO IF YOU SMELL GAS:
 - Do not try to light any appliance.
 - Do not touch any electrical switch; do not use any phone in your building.
 - Clear the room, building, or area of all occupants.
 - Immediately call your gas supplier from a neighbor's phone. Follow the gas supplier's instructions.
 - If you cannot reach your gas supplier, call the fire department.
- Installation and service must be performed by a qualified installer, service agency, or the gas supplier.

WARNING

To reduce the risk of fire, electric shock, or injury to persons when using your appliance, follow the basic precautions, including the following:

NOTE: The dryer is designed in compliance with ANSI Z21.5.1 or ANSI/UL 2158 - CAN/CSA C22.2 No. 112-97 (latest editions) for HOME USE ONLY. This dryer is not recommended for commercial application such as restaurants and beauty salons.

- Read all of the instructions before using this appliance.
- This appliance must be properly installed and located in accordance with the installation instructions before it is used.
- Use this appliance only for its intended purpose as described in this user manual.
- Do not use the dryer for commercial clothes drying.

GAS DRYER PRECAUTIONS

WARNING

For your safety, the information in this manual must be followed to minimize the risk of fire or explosion or to prevent property damage, personal injury or loss of life.

IMPORTANT: The gas installation must conform with local codes, or in absence of local codes, with the National Fuel Gas Code, ANSI Z223.1/ NFPA 54, or the Natural Gas and Propane Installation Code, CSA B149.1.

- Installation must be performed by a qualified or licensed contractor, plumber, or gas fitter qualified or licensed by the state, province, or region where this appliance is being installed.
- Combustible materials, gasoline, and other flammable vapors and liquids must not be stored near the dryer.

GENERAL SAFETY PRECAUTIONS

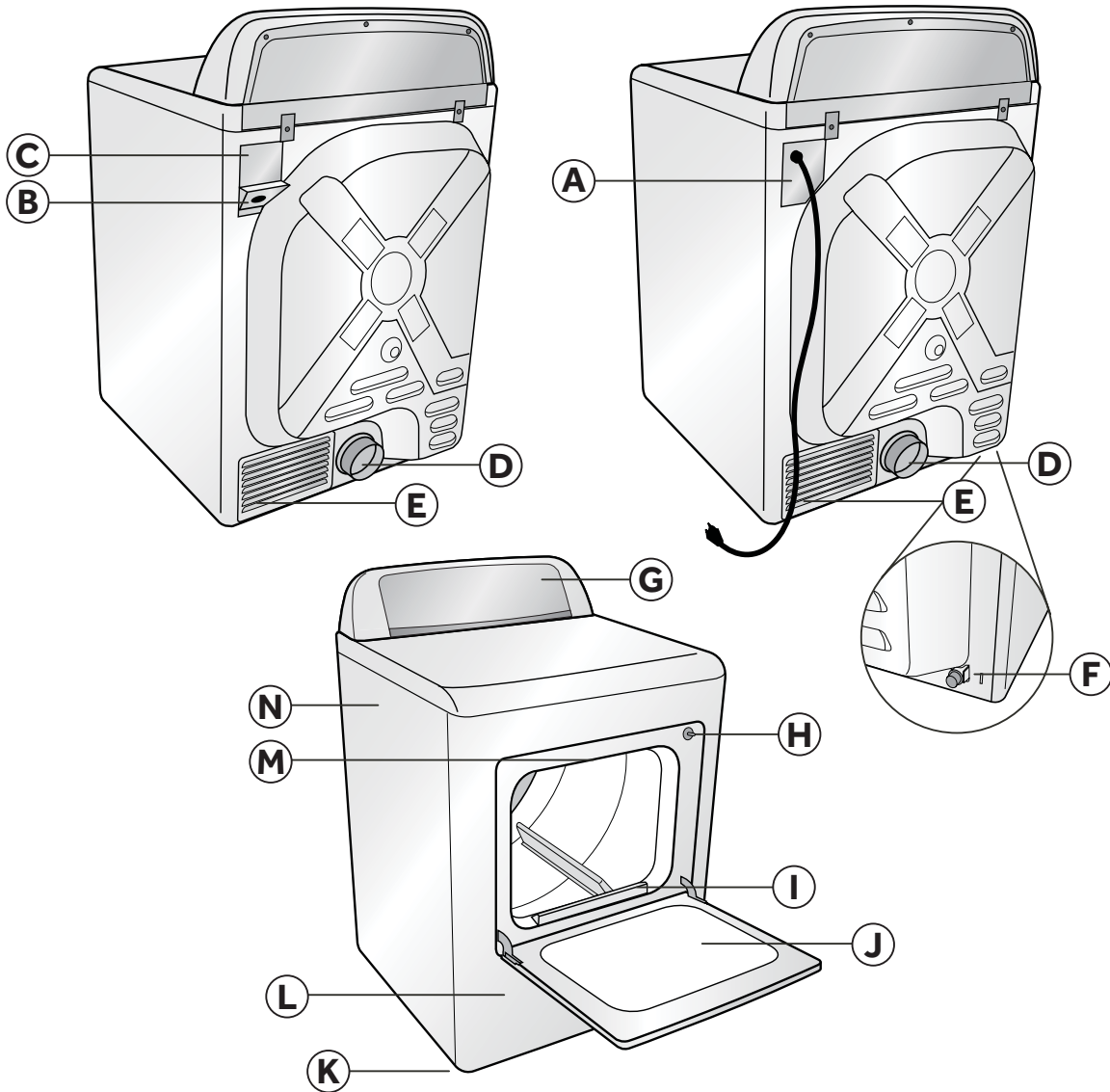
- Keep area around the exhaust opening and adjacent surrounding areas free from the accumulation of lint, dust and dirt.
- Keep the dryer area clear and free from items that would obstruct the flow of combustion and ventilation air through the louvered panel located on the rear of the dryer.
- Close supervision is necessary if this appliance is used by or near children. Do not allow children to play on, with, or inside this appliance.
- Do not dry items that have been previously cleaned in, washed in, soaked in, or spotted with gasoline, dry-cleaning solvents or other flammable explosive substances, since they give off vapors which could ignite or explode.
- Do not place items exposed to cooking oils in your dryer. Items contaminated with cooking oil may contribute to a chemical reaction than could cause a load to catch fire.
- If material has been used with any flammable liquids or solids, it should not be dried in the dryer until all traces of flammable liquids and fumes have been removed.
- Do not reach into the appliance if the drum is moving.
- Do not tamper with the controls.
- Do not use fabric softeners or products to eliminate static unless recommended by the manufacturers of the fabric softener or product.
- Do not use heat to dry items containing foam rubber or similarly textured rubber-like materials.
- Clean the lint screen before or after each load.
- The interior of the appliance and the exhaust duct should be cleaned periodically by qualified service personnel.
- To minimize the possibility of electric shock, unplug this appliance from the power supply before attempting any maintenance or cleaning.
NOTE: Switching off power with the Power button does NOT disconnect the appliance from the power supply.
- Do not unplug your dryer by pulling on the power cord. Always grasp the plug firmly and pull straight out from the outlet.
- Do not attempt to service, repair or replace any part of the appliance unless specifically recommended in this user manual or in published repair instructions that you understand and have the skills to carry out.
- Before discarding or removing from service, remove the door to the drying compartment.

SAVE THESE INSTRUCTIONS
HOUSEHOLD USE ONLY

PARTS AND FEATURES

Electric Dryer

Gas Dryer



- (A)** Power Cord (120 volt/60 Hz)
- (B)** Strain Relief Mounting Bracket
(Canadian electric model has a 240 volt/
60 Hz power cord attached.)
- (C)** Terminal Block Access Cover
- (D)** Exhaust Outlet
- (E)** Louvered Ventilation Panel
- (F)** Gas Inlet Pipe
- (G)** Control Panel

- (H)** Door Safety Switch
- (I)** Lint Screen
- (J)** Dryer Door
- (K)** Leveling Feet
- (L)** Front Panel
- (M)** Interior Drum Light
- (N)** Dryer Cabinet

INSTALLATION INSTRUCTIONS

WARNING

Risk of Fire

Clothes dryer installation must be performed by a qualified installer.

Install the clothes dryer according to the manufacturer's instructions and local codes.

Do not install a clothes dryer with flexible plastic venting materials. If flexible metal (foil type) duct is installed, it must be of a specific type identified by the appliance manufacturer as suitable for use with clothes dryers. Flexible venting materials are known to collapse, be easily crushed, and trap lint. These conditions will obstruct clothes dryer airflow and increase the risk of fire.

To reduce the risk of severe injury or death, follow all installation instructions.

IMPORTANT: When discarding or storing your old clothes dryer, remove the door.

DANGER

Before you throw away your old appliance, remove the door or lid so that children cannot hide or get trapped inside your old appliance.

IMPORTANT: The dryer, when installed, must be electrically grounded in accordance with local codes, or in the absence of local codes, with the National Electrical Code, ANSI/NFPA 70, or the Canadian Electrical Code, CSA C22.1.

TOOLS NEEDED

- Phillips Screwdriver
 - Flat-Blade Screwdriver
 - Channel-Lock Adjustable Pliers
 - ½" Open-End Wrench
 - Carpenter's Level
 - Measuring Tape (12 ft [3.7 m] min.)
- For gas installations only:**
- Pipe Wrench
 - 2 Adjustable Wrenches

ADDITIONAL PARTS REQUIRED

- 4" (10.2 cm) Rigid or Flexible Metal Exhaust Ducting
- Vent Clamps
- Duct Tape
- Power Cord (US Electric Dryer Only)
 - A power supply cord kit must be purchased to meet local electrical codes. The dryer must use a 3 or 4-wire NEMA 14-30 or 10-30 type SRDT or ST (as required) power supply cord rated at 120/240 volt AC minimum, 30 amp, with 10 AWG conductors terminated with upturned ends or closed loop connectors and marked for use with clothes dryers.
 - UL Listed Strain Relief
- Gas Hookup Parts (Gas Dryer Only)
 - $\frac{3}{8}$ " NPT Elbow
 - $\frac{3}{8}$ " NPT Flare Adapter Fitting
 - $\frac{3}{8}$ " Flexible Gas Connector
 - Pipe-Joint Compound
- Mobile Home Installation Kit (Gas Dryer for Mobile Home Only)

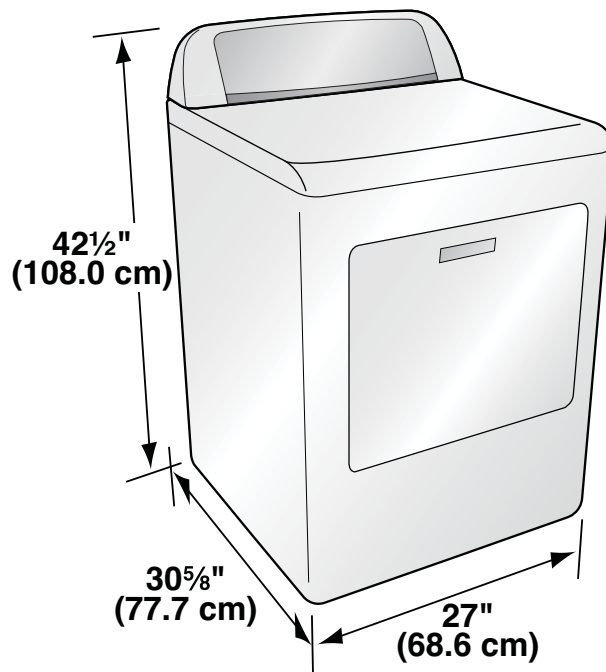
LOCATION REQUIREMENTS

WARNING

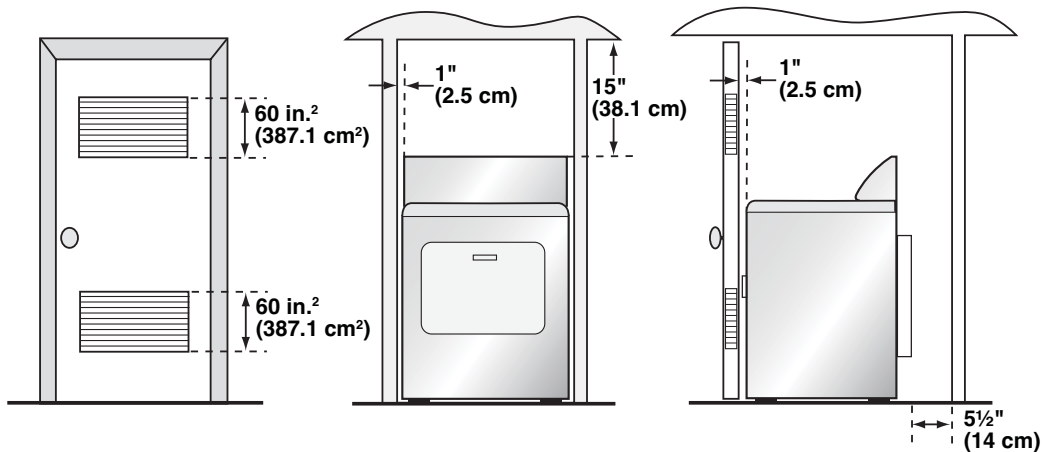
Do not install the dryer where gasoline or other flammables are kept or stored. If the dryer is installed in a garage, it must be a minimum of 18 inches (45.7 cm) above the floor. Failure to do so can result in death, explosion, fire or burns.

- The dryer must be installed on a solid floor. A concrete floor is the best.
- The floor should be level with maximum slope of 1" (2.5 cm) under entire dryer.
- A suitable location is protected from direct sunlight and heat sources such as radiators, baseboard heaters, or cooking appliances.
- Do not install on carpeting.
- The location must have the appropriate electrical and gas supply outlets. See "Electrical & Gas Supply Requirements" section for details.
- Do not install the dryer in an area where the dryer will come into contact with curtains, thick carpet, or anything that might obstruct the flow of combustion and ventilation air.
- Do not install or store this appliance where it will be exposed to water and/or to the weather.

DRYER DIMENSIONS



ALCOVE OR CLOSET REQUIREMENTS



MINIMUM CLEARANCES

- Dimensions shown are the recommended minimum clearance allowances.
- Space on the sides of the dryer is required to avoid noise transfer.
- Space at the rear of the dryer is necessary to accommodate exhaust ducting.

OTHER REQUIREMENTS

- This dryer must be vented to the outdoors.
- Do not install the dryer in a closet with a solid door.
- A closet door must be louvered or vented with a minimum of 120 sq. in. (774.2 sq. cm) of opening equally divided at the top and bottom of the door. The airflow must not be obstructed in any way.
- No other fuel-burning appliance shall be installed in the same closet as the gas dryer.

ELECTRICAL & GAS SUPPLY REQUIREMENTS

GROUNDING INSTRUCTIONS:

This appliance must be grounded. In the event of malfunction or breakdown, grounding will reduce the risk of electric shock by providing a path of least resistance for electric current. This appliance is equipped with a cord having an equipment-grounding conductor and a grounding plug. The plug must be plugged into an appropriate outlet that is properly installed and grounded in accordance with all local codes and ordinances.

WARNING

Improper connection of the equipment grounding conductor can result in a risk of electric shock. Check with a qualified electrician or service representative or personnel if in doubt as to whether the appliance is properly grounded.

ELECTRIC DRYER (U.S. ONLY)**! WARNING**

The dryer must be plugged into a properly grounded 3 or 4-wire, single phase, 120/240 volt (or 120/208 volt), 60Hz, AC-only electrical outlet connected to an individual 30-amp circuit, fused with a 30-amp time-delay fuse or circuit breaker. Do not operate a washer and dryer on the same circuit.

NOTE: The electrical supply for the dryer must conform with local codes and ordinances and the latest edition of the National Electrical Code, ANSI/NFPA 70.

- If the electrical supply available in the intended dryer location does not meet the above requirements, contact a licensed electrician.
- A dryer operating on a 208 volt power supply will have longer drying times than if it were operating on a 240 volt power supply.
- The dryer is not equipped with a power cord. A kit that meets local electrical codes must be purchased separately. The dryer can be fitted with a 3 or 4-wire NEMA 14-30 or 10-30 type SRDT or ST (as required) power cord rated at 120/240 volt AC minimum, 30 amp, with 3 open-end spade lug connectors with upturned ends or closed loop connectors and marked for use with clothes dryers.
- A UL listed strain relief must be attached to the dryer to hold the power cord.
- Do not use an aluminum wire receptacle with copper-wired power cord and plug (or vice versa). The proper wiring and receptacle is a copper-wired power cord with a copper-wired receptacle.
- The electrical outlet should be located so that the power cord is accessible when the dryer is in the installed position.

ELECTRIC DRYER (CANADA ONLY)**! WARNING**

The dryer must be plugged into a properly grounded 4-wire, single phase, 120/240 volt, 60Hz, AC-only electrical outlet connected to an individual 30-amp circuit, fused with a 30-amp time-delay fuse or circuit breaker. Do not operate a washer and dryer on the same circuit.

NOTE: The electrical service to the dryer must conform with local codes and ordinances and the latest edition of the CSA C22.1 Canadian Electrical Code Part 1.

- If the electrical supply available in the intended dryer location does not meet the above requirements, contact a licensed electrician.
- Do not use an aluminum wire receptacle with copper-wired power cord and plug (or vice versa). The proper wiring and receptacle is a copper-wired power cord with a copper-wired receptacle.
- The electrical outlet should be located so that the power cord is accessible when the dryer is in the installed position.

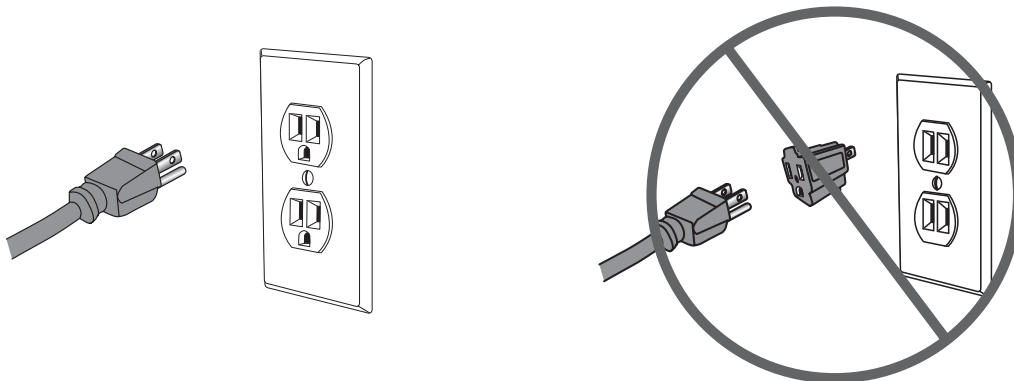
GAS DRYER

ELECTRICAL SUPPLY REQUIREMENTS

! WARNING

The gas dryer must be plugged into a properly grounded 3-wire, single phase, 120 volt, 60Hz, AC-only electrical outlet, fused with a 15-amp time-delay fuse or circuit breaker.

- The dryer is equipped with a power cord that has a 3 prong plug. Do not cut or remove the grounding prong from the power cord.
- The power cord must be plugged into a mating, 3 prong outlet, grounded in accordance with local codes and ordinances. If a mating outlet is not available, contacted a licensed electrician to have one installed.
- If you are not sure if your outlet is properly grounded, contact a licensed electrician.
- Do not use a 3 prong plug adapter.
- Do not use an extension cord.



GAS SUPPLY REQUIREMENTS

NOTE: The gas service to the dryer must conform with local codes and ordinances and the latest edition of the National Fuel Gas Code, ANSI Z223.1 or in Canada, CAN/CGA B149.1.

Natural Gas

- The dryer is equipped for use with Natural gas.

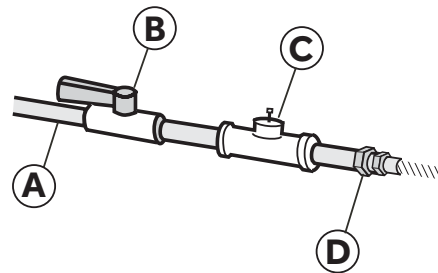
LP (Liquid Propane) Gas

- The dryer can be converted for use with LP gas.
- Conversion to LP gas must be made by a qualified technician.

Gas Supply Line

- The gas supply line should be ½" (1.3 cm) pipe and must have an individual manual shutoff valve installed within 6 ft (183 cm) of the dryer in accordance with the National Fuel Gas Code, ANSI Z223.1/NFPA 54, or in Canada with the Natural Gas and Propane Installation Code, B149.1.
- The shutoff valve should be easy to reach for opening and closing.
- A ⅛" NPT minimum plugged tapping, accessible for test gage connection, must be installed immediately upstream of the gas supply connection to the dryer.
- The supply line should terminate with a ⅜" NPT flare adapter fitting.

- Ⓐ ½" NPT Gas Supply Line
- Ⓑ Gas Shutoff Valve
- Ⓒ ⅛" NPT Minimum Plugged Tapping
- Ⓓ ⅜" NPT Flare Adapter Fitting



GAS SUPPLY CONNECTION REQUIREMENTS

This dryer must be connected to the gas supply line with a listed flexible gas connector that complies with the standard for connectors for gas appliances, ANSI Z21.24 or CSA 6.10.

Flexible stainless steel gas connector:

- If local codes permit, use a new flexible stainless steel gas connector (Design Certified by the American Gas Association or CSA International) to connect your dryer to the rigid gas supply line. Use an elbow and a ⅜" flare x ⅜" NPT adapter fitting between the stainless steel gas connector and the dryer gas pipe, as needed to prevent kinking.

BURNER INPUT REQUIREMENTS

Elevations up to 10,000 ft. (3,048 m):

- The design of this dryer is certified by CSA International for use at altitudes up to 10,000 ft. (3,048 m), above sea level at the B.T.U. rating indicated on the model/serial number plate. Burner input adjustments are not required when the dryer is operated up to this elevation.

Elevations above 10,000 ft. (3,048 m):

- When installed above 10,000 ft. (3,048 m) a 4% reduction of the burner B.T.U. rating shown on the model/serial number plate is required for each 1,000 ft. (305 m) increase in elevation.

Gas supply pressure testing:

- The dryer must be disconnected from the gas supply piping system during pressure testing at pressures greater than 1/2 psi (3.5kPa).

EXHAUST SYSTEM REQUIREMENTS

! WARNING

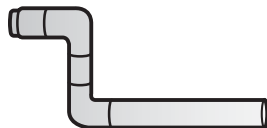
This section describes the requirements for a safe and efficient exhaust system. Failure to follow these instructions can result in poor dryer performance, damage to the dryer, and a fire hazard.

IMPORTANT: The dryer must be exhausted to the outdoors.

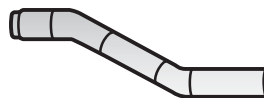
- The dryer shall not be exhausted into any gas vent, chimney, wall, ceiling, attic, crawl space, or concealed space of a building.

DUCTING

- If your current exhaust system is constructed of plastic or metal foil flexible ducting, replace it with rigid metal ducting.
- Use only 4" (10.2 cm) diameter rigid metal ducting.
- When making turns in the ductwork, use 45° elbows rather than 90° elbows. This provides better airflow and can reduce the accumulation of lint in the exhaust system.



90° - Good



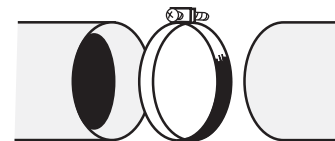
45° - Better

- Do not exceed the length of duct pipe for the number of elbows shown in the chart below. Doing so can cause an accumulation of lint, an increase in drying time, and the creation of a fire hazard.
- Two 45° elbows equal one 90° elbow.

Recommended Maximum Exhaust Length		
Exhaust Hood Types		
	Recommended	Use Only For Short Run Installations
No. of 90° Elbows	Rigid Metal	Rigid Metal
0	90 feet	60 feet
1	60 feet	45 feet
2	45 feet	35 feet
3	35 feet	25 feet

- All joints should be tight to avoid air leaks. The male end of each section of ducting must point away from the dryer.

- Use clamps or duct tape to connect and seal all joints. Do not connect with screws or other fasteners that extend into the interior of the duct as they will create a collection point for lint.



Clamp

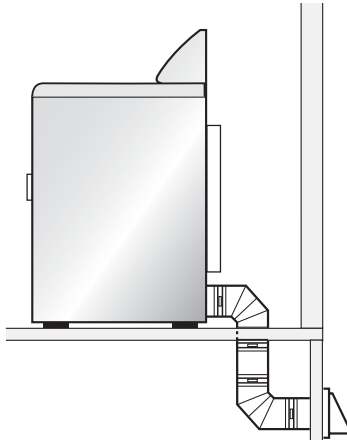
- Avoid running the exhaust system through an unheated area as this will cause condensation to form inside the duct and increase the rate of lint accumulation.
- Avoid running the exhaust system vertically through a roof as this may expose the exhaust system to down drafts, causing an increase in air restriction.
- Avoid sagging, compression or crimping of the exhaust system as this will result in reduced airflow and poor dryer performance.
- Do not screen the end of the exhaust system. Lint will accumulate and eventually clog the screen. Use an approved exhaust hood to terminate the duct outdoors.
- The total length of flexible metal duct shall not exceed 2.4 m (7.8 ft).

EXHAUST HOOD

- Use an approved exhaust hood with a swing-out damper that opens when the dryer is in operation. When the dryer stops, the damper automatically closes to prevent drafts and the entrance of insects and rodents.
- Louvered or box hood styles are recommended. Angled hood styles are acceptable, but should be used only for short run installations. See the "Recommended Maximum Exhaust Length" chart for more information.
- To avoid restricting airflow, maintain a minimum of 12" (30.5 cm) clearance between the vent hood and the ground or any other obstruction.

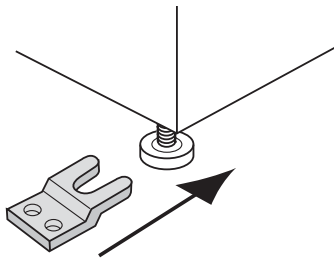
MOBILE HOME - ADDITIONAL REQUIREMENTS

- The installation must conform to current Manufactured Home Construction and Safety Standard, Title 24 CFR-Part 3280 or the Canadian Manufactured Home Standard CAN/CSA-Z240 MH.
- Special provisions must be made for outside makeup air. The opening should be at least twice as large as the dryer exhaust outlet.
- If the dryer is exhausted through the floor and into an enclosed area beneath the mobile home, the exhaust system must terminate outside the enclosure with the termination securely fastened to the mobile home structure.



GAS DRYER ONLY (MOBILE HOME ONLY)

- The dryer must be fastened to the floor using a mobile home installation kit. Follow the instructions supplied with the kit.



STEP BY STEP INSTRUCTIONS

INSTALLING YOUR DRYER

We recommend that your new dryer be installed by a qualified appliance technician. If you feel that you have the skills to install the dryer, please read the installation instructions thoroughly before installing.

CAUTION: If, after completing these steps, you are unsure that the dryer is properly installed, contact a qualified appliance technician.

STEP 1 - UNPACK THE DRYER

1. Remove all packing materials. This includes the foam base and all adhesive tape holding the dryer accessories inside and outside.
2. Inspect and remove any remains of packing, tape or printed materials before using the dryer.

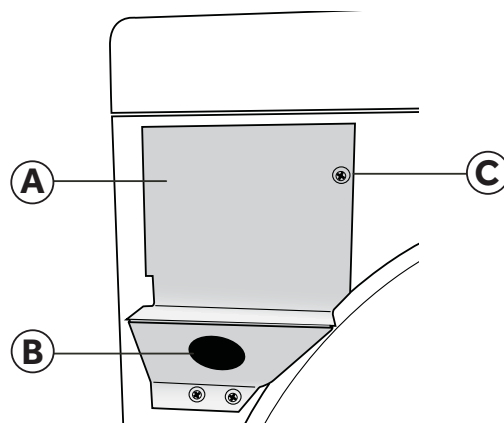
! WARNING

To avoid danger of suffocation, keep plastic bag and other packing material away from babies and children. Do not use this bag in cribs, carriages and playpens. The plastic bag could block nose and mouth and prevent breathing. This bag is not a toy.

STEP 2 - ATTACH A POWER CORD TO THE DRYER (ELECTRIC DRYER - U.S. ONLY)

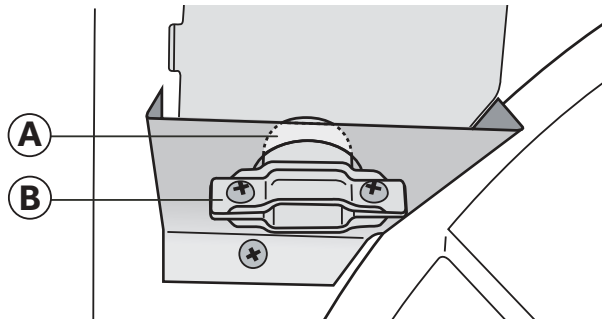
1. Remove the screw securing the terminal block access cover, located on the back of the dryer's upper corner.

- (A) Terminal Block Access Cover
- (B) Hole in Strain Relief Mounting Bracket
- (C) Access Cover Screw



2. Insert a UL listed strain relief into the mounting bracket hole. Position the strain relief so that one tab is pointing up and one tab is pointing down. Tighten the strain relief screws just enough to hold the two halves together.

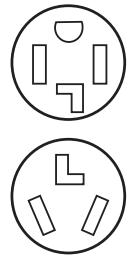
- Ⓐ Tab
- Ⓑ Strain Relief



3. Insert a power cord into the strain relief. Take care to ensure that the wire insulation of the power cord is inside the strain relief.
4. Connect power cord wires following Part A for a 4-wire power cord connection or Part B for a 3-wire power cord connection.

4-wire (recommended) if your home has a 4-wire receptacle (NEMA 14-30 type SRDT or ST):

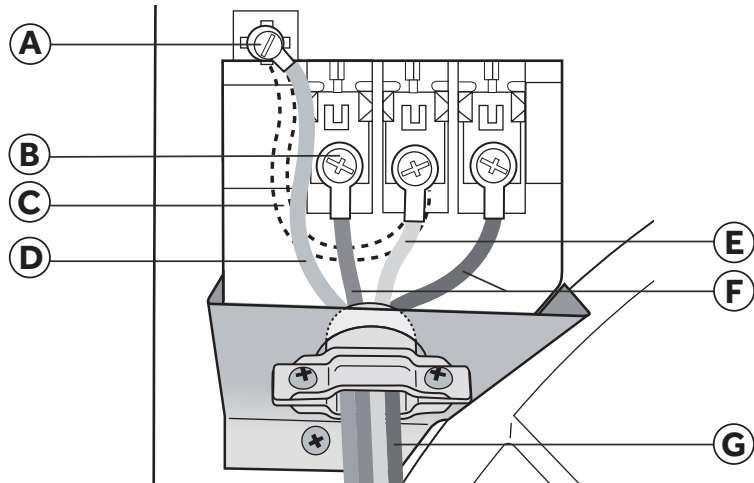
3-wire (if 4-wire is not available) if your home has a 3-wire receptacle (NEMA 10-30 type SRDT):



CAUTION: A 4-conductor cord shall be used when the appliance is installed in a location where grounding through the neutral conductor is prohibited. Grounding through the neutral conductor is prohibited for (1) new branch-circuit installations, (2) mobile homes, (3) recreational vehicles, and (4) areas where local codes prohibit grounding through the neutral conductors.

5. Tighten strain relief screws.
6. Be sure that none of the wires are touching the dryer drum inside the dryer cabinet.
7. Reinstall the terminal block cover.

PART A - 4-WIRE POWER CORD

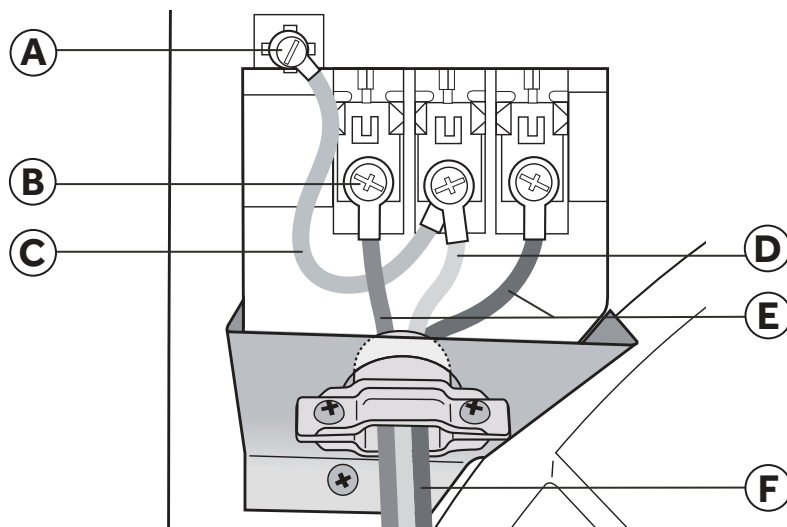


- Ⓐ Ground Screw (Green)
- Ⓑ Terminal Block Screw
- Ⓒ Neutral-Ground Jumper Wire (Green)
- Ⓓ Power Cord Ground Wire (Green)
- Ⓔ Power Cord Neutral Wire (White)
- Ⓕ Power Cord Line Wires (One Red; One Black)
- Ⓖ Power Cord

- A1.** Remove the green ground screw connecting the neutral-ground jumper wire (green) to the cabinet and the center terminal block screw, then discard the jumper wire.
- A2.** Attach the power cord ground wire (green) to the cabinet with the green ground screw. Tighten the screw securely.
- A3.** Attach the power cord neutral wire (white) with the center terminal block screw. Tighten the screw securely.
- A4.** Attach the remaining 2 power cord line wires (red and black) with the outer terminal block screws. Attach one wire to each terminal block as shown. Tighten both screws securely.

IMPORTANT: Do not make a sharp bend or crimp the wires at connections.

PART B - 3-WIRE POWER CORD



- | | |
|---|---|
| A Ground Screw (Green) | D Power Cord Neutral Wire (White) |
| B Terminal Block Screw | E Power Cord Line Wires (One Red; One Black) |
| C Neutral-Ground Jumper Wire (Green) | F Power Cord |

- B1.** Attach the power cord neutral wire (white) to the center terminal block screw. Tighten the screw securely.
- B2.** Attach the remaining 2 power cord line wires (red and black) with the outer terminal block screws. Attach one wire to each terminal block as shown. Tighten both screws securely.

IMPORTANT: Do not make a sharp bend or crimp the wires at connections.

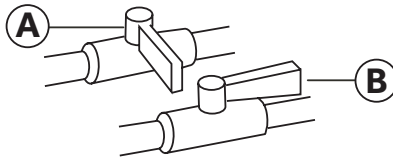
STEP 2 - CONNECT TO A GAS SUPPLY LINE (GAS DRYER ONLY)

NOTE: Do not connect the dryer to an LP gas line without first converting the dryer with a conversion kit. An LP conversion kit must be installed by a qualified technician.

NOTE: Apply a pipe-joint compound that is resistant to the action of LP gas to all male threads. Do not use plumber's tape.

1. Turn the gas supply off by moving the shutoff valve to the closed position.

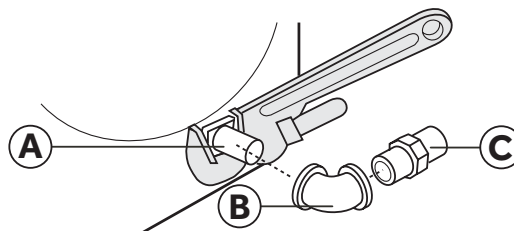
- Ⓐ Closed Valve
- Ⓑ Open Valve



2. Disconnect and discard old flexible gas connector. Replace with a new CSA(AGA) approved flexible gas connector.
3. Remove the shipping cap from the gas inlet pipe at the rear of the dryer.
4. Connect a $\frac{3}{8}$ " NPT elbow to the gas inlet pipe on the dryer. Then connect a flare adapter to the elbow.

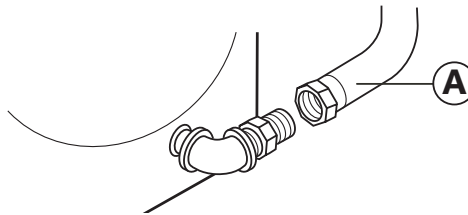
IMPORTANT: Use a pipe wrench to keep the dryer gas inlet pipe from twisting.

- Ⓐ Gas Inlet Pipe on the Dryer
- Ⓑ $\frac{3}{8}$ " NPT Elbow
- Ⓒ $\frac{3}{8}$ " NPT Flare Adapter

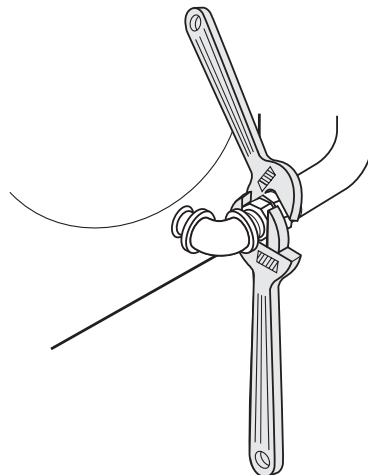


5. Connect the dryer to the gas supply line with a flexible gas connector.

- Ⓐ Flexible Gas Connector



6. Tighten the flexible gas connector using two adjustable wrenches.



7. Turn the gas supply on by moving the shutoff valve to the open position. The valve is open when the handle is parallel to the gas pipe.
8. Check all connections for leaks by applying a noncorrosive leak-detection solution. Bubbles will identify leaks. If leaks are found, close the shutoff valve, retighten the joint, open the shutoff valve, and check again.

! WARNING

Never use an open flame to test for gas leaks.

STEP 3 - CONNECT TO AN EXHAUST SYSTEM

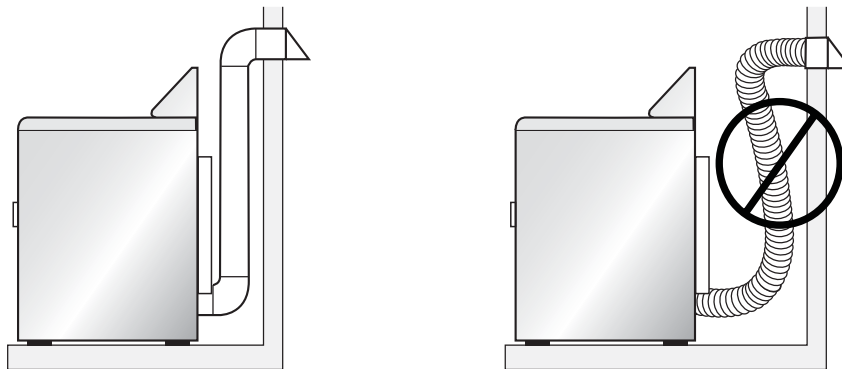
! WARNING

To reduce the risk of fire, this dryer must be exhausted outdoors.

1. Make sure that the exhaust system is free and clear of old lint accumulation prior to connecting the dryer.
2. Use 4" (102 mm) rigid or flexible metal ducting to connect the dryer exhaust outlet to the exhaust system.
3. Use clamps to seal and secure all joints. Exhaust ducting must not be connected with screws or other fastening devices which extend into the interior of the duct.

NOTES:

- Do not use plastic or metal foil flexible ducting. Excessive lint can build up inside the ductwork, restrict airflow, and create a fire hazard. Restricted airflow will increase drying time.
- The dryer shall not be exhausted into a chimney, a wall, a ceiling, an attic, a crawl space, or a concealed space of a building.
- The dryer must be exhausted to the outdoors. If the dryer is not exhausted outdoors, some fine lint will be expelled into the laundry area. An accumulation of lint in any area of the home can create a health and fire hazard.

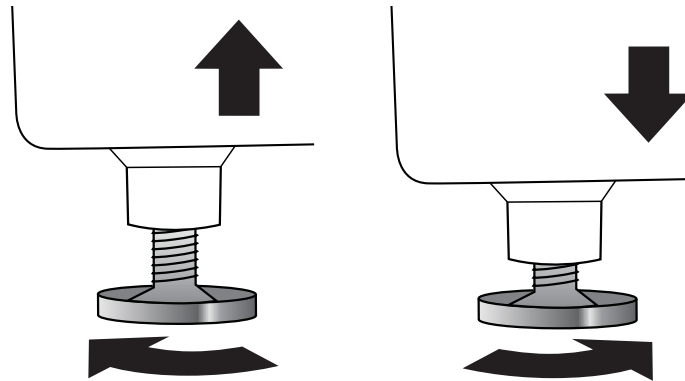


STEP 4 - LEVEL THE DRYER

1. Place the dryer in its final location. Take care not to crush or kink the exhaust vent. Make sure that all four feet are firmly in contact with the floor and that the dryer rests solidly in position.

NOTE: For a gas dryer, make sure that there are no kinks in the flexible gas line.

2. Using a carpenter's level, check that the dryer is level from side to side and from front to back.
3. If the dryer is not level, adjust the leveling feet. Turn clockwise to extend (raise the dryer) or counterclockwise to retract (lower the dryer).



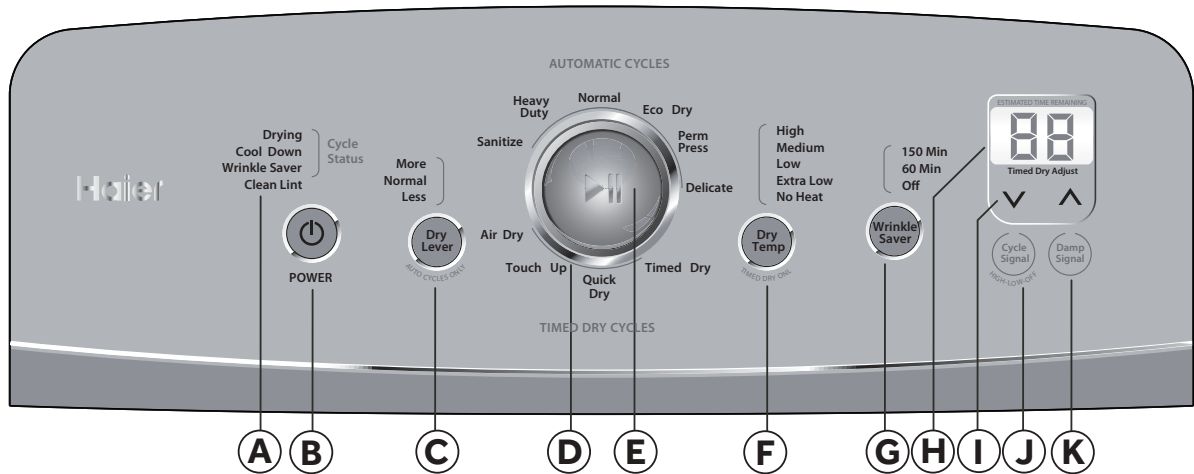
STEP 5 - COMPLETE THE INSTALLATION

1. Plug the dryer power cord into an appropriate outlet.
2. Resume power to the outlet. Check that the circuit breaker is switched on.
3. Dispose of/recycle all packaging materials.
4. Make sure the dryer area is clean and free from combustible materials, gasoline, and other flammable vapors. Also see that nothing (such as boxes, clothing, etc.) obstructs the flow of combustion and ventilation air through the louvered panel located on the rear of the dryer.
5. Test dryer operation by selecting a Timed Dry heated cycle. See the "Operating Instructions" section.

NOTE: On gas dryers, before the burner will light, it is necessary for the gas line to be bled of air. If the burner does not light within 45 seconds, the first time the dryer is turned on, the safety switch will shut off the burner. If this happens, turn the dryer to "OFF" and wait 5 minutes before making another attempt to light the burner.

CONTROL PANEL AND FEATURES

CONTROL PANEL



A CYCLE STATUS INDICATORS

- When the dryer is first powered on, the Cycle Status lights indicate the stages of the selected cycle.
- As the dryer is operating, the active stage blinks. As a stage is completed, the light will turn off and the next stage will begin to blink.
- The entire dry cycle is complete when all of the status lights turn off.
- The Clean Lint indicator will blink when the dryer is turned on as a reminder to clean the lint screen. It will turn off when a dry cycle is started.

B POWER BUTTON

- Use this button to turn power to the dryer on and to turn the power off.
NOTE: If the dryer is powered on and is not started, it will automatically turn off after about 5 minutes.

C DRY LEVEL BUTTON

- Use this button to adjust the dryness level of automatic cycle programs.
NOTE: This button works with automatic cycles only.

D CYCLE SELECTION KNOB

- There are 6 Automatic Cycles to choose from:
 - Sanitize** - Use this cycle to help sanitize items such as towels, bedding, and children's clothes. It is best to run this cycle to completion.
 - Heavy Duty** - Use this cycle for high-temperature heat and heavyweight fabrics such as towels and jeans.
 - Normal** - Use this cycle for medium-temperature heat and cottons and linens.

Eco Dry - Use this cycle to save energy. The program is similar to Normal, but uses a slightly lower temperature and dries to a slightly lower dry level.

Perm Press - Use this cycle for low-temperature heat and wrinkle-free fabrics.

Delicate - Use this cycle for extra-low heat to gently dry delicate items.

- There are 4 Timed Dry Cycles to choose from:

Timed Dry - Use this cycle to run the dryer for a specific amount of time. Clothes may be damp or could be over-dried at the end of the cycle.

Quick Dry - Use this cycle to easily select a 20-minute timed cycle for quick drying a few items.

Touch Up - Use this cycle to easily select a 10-minute timed cycle for refreshing clean clothes.

Air Dry - Use this cycle to dry foam, rubber, plastic, or heat-sensitive fabrics.

E START/PAUSE BUTTON

- Press this button to start a selected cycle or to pause an operating cycle.
NOTE: After starting a dry cycle, you must pause the dryer to change any of the options.
NOTE: Opening the dryer door will also pause an operating cycle.
NOTE: If the cycle status is Wrinkle Saver, pressing the pause button or opening the dryer door will cancel the operating cycle and turn the power off.

F DRY TEMP BUTTON

- Use this button to select a dryer temperature. For best results, follow your garment label instructions and use the warmest temperature that is safe for your fabric.
NOTE: This button works with timed dry cycles only. The No Heat setting is not available with an automatic cycle.

G WRINKLE SAVER BUTTON

- At the end of the cool down cycle, the dryer will periodically tumble for 1 hour to prevent wrinkles from setting in your garments. Use this button to extend the feature for 150 minutes or to turn the Wrinkle Saver feature off.

H ESTIMATED TIME REMAINING DISPLAY

- This display shows the estimated total time for a dry cycle in minutes. As the dryer operates, the minutes will count down to show the time remaining.
- If the dryer senses a malfunction, an error code will be shown in the display. Please refer to the "Troubleshooting" section for a list of error codes and their possible causes and solutions.

I TIMED DRY ADJUST BUTTONS

- Use these buttons to adjust the length of a timed dry cycle. Time can be adjusted from 10 to 95 minutes in 5-minute increments.
NOTE: If the cycle status is Cool Down, the time cannot be adjusted.

J CYCLE SIGNAL BUTTON

- Use this button to adjust the volume of control panel beeps and the end-of-cycle signal.

K DAMP SIGNAL BUTTON

- Use this button to select or deselect Damp Signal. The Damp Signal feature will alert you when your clothes are approximately 80% dry. This is useful when you want to remove partially dry items that you intend to iron. It also gives you the opportunity to untangle and redistribute large bulky items before the cycle is complete.

NOTE: If the cycle signal is turned off, the damp signal will still sound.

CYCLE GUIDE

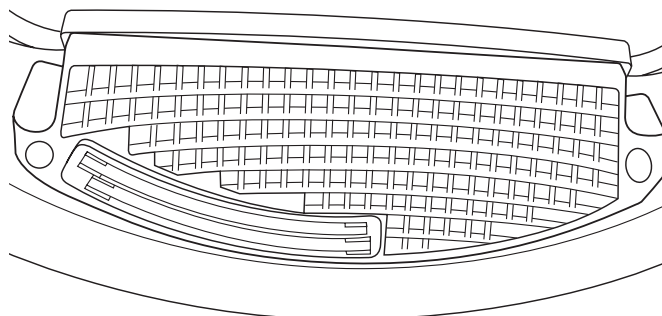
NOTE: To protect your garments, all options and settings are not available for all cycles. The shaded boxes indicate the default settings for each cycle.

CYCLE	FABRIC TYPE	EST. TIME	DRY TEMP	DRY LEVEL	OPTIONS
Sanitize	Towels, bedding, children's clothing	70	High	More	Wrinkle Saver Damp Signal
Heavy Duty	Heavyweight items such as towels and jeans	60	High	More Normal Less	Wrinkle Saver Damp Signal
Normal	Cottons, linens, and mixed garments	52	Medium	More Normal Less	Wrinkle Saver Damp Signal
Eco Dry	Cottons, linens, and mixed garments	40	Medium	Normal More Less	Wrinkle Saver Damp Signal
Perm Press	Cotton poly blends, wrinkle-free shirts and pants	35	Low	Normal More Less	Wrinkle Saver Damp Signal
Delicate	Lingerie, blouses, and synthetics	28	Extra Low	Normal More Less	Wrinkle Saver Damp Signal
Timed Dry	Cottons, linens, and mixed garments	40 Adjustable (10-95)	Medium High Low Extra Low No Heat	N/A	Wrinkle Saver
Quick Dry	Small loads and sportswear	20 Adjustable (10 to 95)	Medium High Low Extra Low No Heat	N/A	N/A
Touch Up	Cottons, linens, and mixed garments	10 Adjustable (10 to 95)	Medium High Low Extra Low No Heat	N/A	N/A
Air Dry	Rubber, plastic, and heat-sensitive fabrics	40 Adjustable (10 to 95)	No Heat	N/A	N/A

FEATURES

HUMIDITY DRYNESS SENSOR

- The humidity sensor enables the dryer to sense the actual moisture content of garments in the load. Automatic Cycles utilize this information along with air temperature readings to complete the dry cycle at the proper time. This intelligent technology saves energy, reduces static, and protects clothing from damage due to over-drying.
- The sensor also provides consistent and accurate drying results and enables you to fine tune the dryer's performance with the Dry Level button.



INTERIOR DRUM LIGHT

- The interior drum light helps you see inside the dryer and find all of your laundry items. A switch on the cabinet automatically turns the light on when the door is opened and off when the door is closed.
- See the Care and Cleaning Guide for step-by-step instructions for replacing the bulb.

OPERATING INSTRUCTIONS

WARNING

To reduce the risk of fire, electric shock, or injury to persons, read the **IMPORTANT SAFETY INSTRUCTIONS** before operating this appliance.

STEP 1 - PREPARE AND SORT LAUNDRY

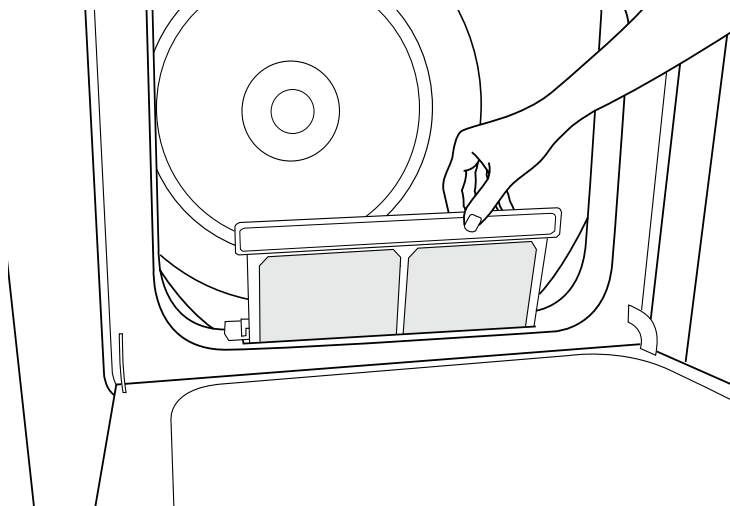
- Check garment labels for manufacturers' drying instructions.
- Where possible, turn pockets inside out for uniform drying.
- Tie strings and sashes so they don't tangle.
- Close zippers, snaps and hooks to avoid snagging.
- Make sure buttons and ornaments on the clothes are high temperature resistant and will not damage drum surface.
- To avoid permanently setting stains or soils, check that all stains and soils have been removed during the wash cycle. If not, wash them again.
- To avoid entanglement and ensure easy removal, small articles should be collected in a mesh bag before loading.
- Separate fabrics that attract lint from fabrics that give off lint. Clothes prone to linting should be turned inside out before being put into the dryer.

STEP 2 - CLEAN THE LINT SCREEN

1. Clean the lint screen before each use. The filter can be removed by pulling on the handle of the lint screen located inside the dryer door.
2. Use your fingers to roll the accumulated lint off of the lint screen. Do not rinse or wash the lint screen to remove lint.
3. Slide the lint screen back into place.

NOTES:

- Do not operate the dryer without having the lint screen in place. Without the screen, tumbling garments could enter the exhaust system and cause damage to the dryer.
- Lint buildup on the screen will restrict airflow and cause longer drying times.



STEP 3 - LOAD THE DRYER

1. Load damp garments loosely into the dryer drum.
2. Close the dryer door.

NOTES:

- Do not pack the dryer full of garments.
- An appropriate load should be $\frac{1}{3}$ to $\frac{1}{2}$ of the drum volume. Allow space for clothes to tumble freely for uniform and wrinkle-free drying.
- When you are drying large bulky items, only 2-3 pieces should be loaded at a time along with a few small and medium-sized garments.
- For delicate clothes or small loads, adding a couple of towels will help to ensure that garments are tumbled. This will produce even drying and reduce wrinkles.

STEP 4 - START THE DRYER

1. Turn the dryer on by pressing the POWER BUTTON.
2. Select a dry cycle by rotating the CYCLE SELECTION KNOB.
3. Modify the default settings and options if desired.
4. Press the START/PAUSE BUTTON on the face of the knob to start the dryer.

NOTE:

- Opening the door will pause the operating cycle. Close the door and press the START/PAUSE BUTTON to resume.

CARE AND CLEANING GUIDE

WARNING

Always unplug your dryer to avoid electric shock before cleaning.

Ignoring this warning may result in death or injury.

Before using cleaning products, always read and follow manufacturer's instructions and warnings to avoid personal injury or product damage.

CLEANING AND MAINTENANCE

- Only use a damp or sudsy cloth for cleaning the control panel.
- If you spill liquid/powdered softener, bleach or detergent on the cabinet, wipe the cabinet immediately to avoid damage to the finish.
- Do not use abrasive cleansers, harsh chemicals, ammonia, chlorine bleach, concentrated detergent, or solvents to clean the dryer. These chemicals may dissolve, damage, or discolor the dryer.
- Do not use any type of spray cleaner when cleaning the dryer interior. Hazardous fumes or electric shock could occur. If dryer drum becomes stained, clean the drum with a damp cloth. Remove any residue before drying next load.

WASHING THE LINT SCREEN

- Laundry detergent and fabric softener residue can build up on the lint screen. This buildup can cause longer drying times, or cause the dryer to stop before your load is completely dry.
- Wash the lint screen every 6 months, or sooner, if it becomes clogged due to a residue buildup.

Steps to Wash the Lint Screen:

1. Remove the normal accumulation of lint with your fingers.
2. Wet both sides of lint screen with hot water.
3. Apply liquid detergent with water and scrub with a nylon brush.
4. Thoroughly rinse the lint screen with hot water.
5. Completely dry the lint screen before reinstalling and using the dryer.

REMOVING ACCUMULATED LINT

Inside the Dryer Cabinet

- Lint should be removed every 2 years, or more often, depending on dryer usage. Cleaning should be done by a qualified person.

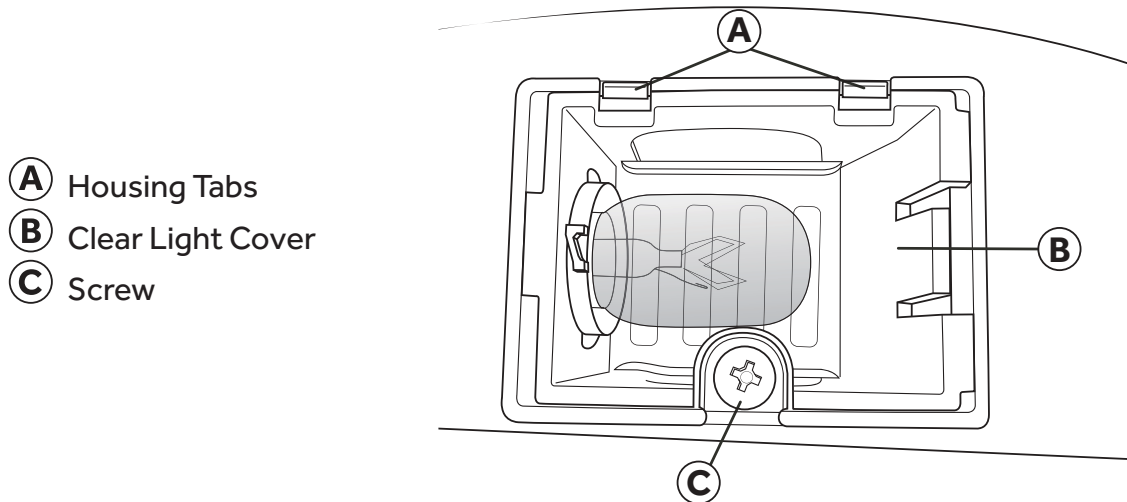
The Exhaust System

- The exhaust system should be inspected and cleaned at least every 12 months with normal usage. The more the dryer is used, the more often you should check the exhaust system and outdoor exhaust hood for proper operation.

REPLACE INTERIOR DRUM LIGHT BULB

Your dryer is equipped with a LED light, fixture inside the drum above the door opening. This light is designed to last for the life of the dryer; however, if the light stops operating, please contact a certified technician for replacement. Replace with 1W LED, T7Shape, Intermediate (E17) Base, 120 volt appliance bulb ONLY.

1. Disconnect power, or unplug the dryer.
2. Open the dryer door. The light is located inside the drum above the door opening.
3. Using a Phillips screwdriver, remove the screw from the Clear Light Cover.



4. Remove the Clear Light Cover by rotating it forward and lifting it off of the two Housing Tabs.
5. Turn the light bulb counterclockwise to unscrew.
6. Replace the bulb with a 1W LED, T7 Shape, Intermediate (E17) Base, 120 volt appliance bulb ONLY.
7. Replace the Clear Light Cover and secure it with the screw.
8. Reconnect power, or plug in the dryer.

VACATIONING PRECAUTIONS

- Unplug the dryer from the electrical outlet or disconnect the power.
- Wash the lint screen. See the "Washing the Lint Screen" section.
- (For gas dryers only): Close shutoff valve in gas supply line.

MOVING OR STORAGE PREPARATION

In addition to performing the steps in "Vacationing Precautions," complete the following additional steps.

- Disconnect the dryer from the exhaust system.
- Turn the leveling feet so that they are fully retracted into the dryer cabinet.
- Use masking tape to secure dryer door.
- Move and store your dryer in an upright position only.

NOTE: For gas dryers, turn off the gas being supplied to the dryer. Disconnect the dryer from the gas supply line and remove fittings attached to the dryer's gas inlet pipe. Cap the gas supply line.

TROUBLESHOOTING

ERROR CODES

When the dryer senses an error all machine operations will stop, a series of 4 beeps will sound and an error code will be shown in the Estimated Time Remaining display.

ERROR CODE	DESCRIPTION	POSSIBLE CAUSE AND SOLUTION
F3 (Short Circuit)	The dryer has detected an electrical problem that requires a certified service technician	Call for service.
F4 (Heating Element Problem)	The electric dryer has detected a problem with the heating element that requires a certified service technician.	Call for service.
	The gas dryer has detected a problem with the burner.	Check to make sure the gas shutoff valve is open. If the valve is open, call for service.
E6 (Airflow Problem)	The dryer has detected that air is not flowing.	Make sure the lint screen is clean. Check your exhaust system for obvious blockage. If the error persists, call for service.

NORMAL OPERATING SOUNDS

- The following sounds are normal during the operation of the dryer.
- Tumbling sound: This is normal as the heavy, wet clothes in the dryer are continuously being tossed around.
- Air rushing noise: This happens as the dryer drum spins and the air is rushing through the dryer drum.

DRYER DOES NOT OPERATE

- Check that the dryer is plugged in. The plug may have come loose.
- Check that the electrical wall receptacle is of proper voltage. Electric dryers require a 240 volt power supply.
- Check if the circuit breaker needs to be reset, or if the fuse needs to be replaced.
- Check that the dryer door is firmly closed.

CLOTHES ARE NOT DRYING

- Dryer may be overloaded. Wet clothes should not fill more than ½ of the drum volume.
- Check the exhaust ducting and exhaust hood. The entire exhaust system should be free of obstructions.
- The exhaust system should be maintained, and cleaned regularly.
- Dryer load may need to be sorted. Heavyweight clothes should be separated from lightweight clothes.
- Bulky items may require repositioning.
- Check the lint screen. Lint screen should be cleaned before each load.
- Check that the dryer is not set on the Air Fluff (no heat) temperature setting.
- For gas dryers, check that the gas supply line is open.

DRYER IS MAKING NOISE

Rattling or clanking noises:

- Foreign objects may be in the dryer drum. Stop the dryer and check for foreign objects such as loose change, keys and heavy objects.

Vibration noises:

- Load may be uneven. Stop the dryer and rearrange the load.
- Dryer may not be level. Check that all four leveling feet are resting firmly on the floor and that the dryer is level.
- See the "Normal Operating Sounds" section.

Static:

- Caused by over-drying. Adjust for shorter drying time and use a fabric softener or a dryer sheet.

Loads are wrinkled:

- The load may have been left in the dryer too long at the end of the cycle. Be sure to remove clothes promptly after the load ends.
- Dryer may be overloaded. The dryer drum should be at most half full.

Odors:

- Wet clothes left in the washer and/or dryer may develop an odor. Drying will not remove this odor. Rewash clothes before drying them.
- The electric heating element may have an odor when the dryer is used for the first time. The odor will be gone after the first cycle.

LIMITED WARRANTY

IN HOME SERVICE

FULL ONE YEAR WARRANTY

For 12 months from the date of original retail purchase, Haier will repair or replace any part free of charge including labor that fails due to a defect in materials or workmanship.

LIMITED WARRANTY

After one year from the original retail purchase date, Haier will provide a part at no cost, as indicated below, to replace said part as a result of a defect in materials or workmanship. Haier is solely responsible for the cost of the part. All other costs, such as labor, trip charge, etc., are the responsibility of the owner.

Second through Fifth Year

Haier will provide all replacement parts if defective in material or workmanship.

NOTE: This warranty commences on the date the item was purchased, and the original purchase receipt must be presented to the authorized service representative before warranty repairs are rendered.

Exceptions: Commercial or Rental Use Warranty

90 days labor from date of original purchase

90 days parts from date of original purchase

No other warranty applies.

FOR WARRANTY SERVICE

Contact your nearest authorized service center. All service must be performed by a Haier authorized service center. For the name and telephone number of the nearest authorized service center, please call 1-877-337-3639.

Before calling please have available the following information:

Model number and serial number of your appliance. The name and address of the dealer you purchased the unit from and the date of purchase.

A clear description of the problem.

A proof of purchase (sales receipt).

This warranty covers home appliance services within the contiguous United States and Canada and where available in Alaska, Hawaii and Puerto Rico.

What is not covered by this warranty:

Replacement or repair of household fuses, circuit breakers, wiring or plumbing.

A product whose original serial number has been removed or altered.

Any service charges not specifically identified as normal such as normal service area or hours.

Damage to clothing.

Damage incurred in shipping.

Damage caused by improper installation or maintenance.

Damage from misuse, abuse accident, fire, flood, or acts of nature.

Damage from service other than an authorized Haier dealer or service center.

Damage from incorrect electrical current, voltage or supply.

Damage resulting from any product modification, alteration or adjustment not authorized by Haier.

Adjustment of consumer operated controls as identified in the owner's manual.

Hoses, knobs, lint trays and all attachments, accessories and disposable parts.

Labor, service transportation, and shipping charges for the removal and replacement of defective parts beyond the initial 12-month period.

Damage from other than normal household use.

Any transportation and shipping charges.

THIS LIMITED WARRANTY IS GIVEN IN LIEU OF ALL OTHER WARRANTIES, EXPRESSED OR, INCLUDING THE WARRANTIES OF MERCHANTABILITY AND FITNESS FOR A PARTICULAR PURPOSE

The remedy provided in this warranty is exclusive and is granted in lieu of all other remedies.

This warranty does not cover incidental or consequential damages, so the above limitations may not apply to you. Some states do not allow limitations on how long an implied warranty lasts, so the above limitations may not apply to you.

This warranty gives you specific legal rights, and you may have other rights, which vary, from state to state.

Haier America
Wayne, NJ 07470

TABLE DES MATIÈRES

IMPORTANTES INSTRUCTIONS DE SÉCURITÉ	35
Sécheuse à gaz - Précautions à prendre	36
Précautions générales de sécurité	36
PIÈCES ET CARACTÉRISTIQUES	38
INSTRUCTIONS D'INSTALLATION	39
Outils nécessaires	40
Autres pièces nécessaires	40
Exigences d'emplacement.....	41
Spécifications de l'alimentation électrique et de l'alimentation en gaz	42
Spécifications du raccordement de l'alimentation en gaz	46
Spécifications de l'alimentation du brûleur.....	46
Spécifications du système d'évacuation.....	47
Résidence mobile – Spécifications supplémentaires	49
INSTRUCTIONS ÉTAPE PAR ÉTAPE	50
Étape 1 – Déballage de la sécheuse	50
Étape 2 – Pose d'un cordon d'alimentation électrique sur la sécheuse (sécheuse électrique uniquement).....	50
Étape 2 – Raccordement à une canalisation d'alimentation en gaz (sécheuse à gaz uniquement)	53
Étape 3 - Raccordement à un système d'évacuation	55
Étape 4 – Nivellement de la sécheuse	56
Étape 5 – Fin de l'installation	56
TABLEAU DE COMMANDE ET CARACTÉRISTIQUES.....	57
INSTRUCTIONS D'UTILISATION	62
Étape 1 – Préparation et tri du linge	62
Étape 2 - Nettoyage du filtre à charpie	62
Étape 3 – Chargement de la sécheuse.....	63
Étape 4 – Démarrage de la sécheuse.....	63
GUIDE D'ENTRETIEN ET DE NETTOYAGE.....	64
Nettoyage et entretien.....	64
Nettoyage du filtre à charpie.....	64
Retirer la charpie accumulée.....	65
Remplacer l'ampoule de la lampe interne du tambour	65
Précautions à prendre avant un départ en vacances.....	66
Préparation avant un déménagement ou un entreposage	66
DÉPANNAGE.....	67
GARANTIE LIMITÉE.....	69

DOCUMENTS À CONSERVER

Merci d'avoir acheté ce produit Haier. Ce manuel d'utilisation vous aidera à obtenir la meilleure performance possible de votre nouvelle sécheuse.

Pour référence ultérieure, inscrire le numéro de plaque signalétique situé au dos de la porte de la sécheuse, ainsi que la date d'achat.

Pour faciliter l'obtention d'un service sous garantie, agraffer la preuve de la date d'achat à ce manuel.

Numéro de modèle

Numéro de série

Date d'achat

⚠ AVERTISSEMENT

AVERTISSEMENT : Pour votre sécurité, il est important de respecter les informations fournies dans ce manuel pour minimiser les risques d'incendie ou d'explosion, ou pour éviter tout dommage matériel ou corporel ou encore tout décès.

- Ne pas entreposer ou utiliser de l'essence ou tout autre vapeur ou liquide inflammable à proximité de cet appareil ou de tout autre appareil.
- **QUE FAIRE EN CAS DE DÉTECTION D'UNE ODEUR DE GAZ :**
 - Ne pas tenter d'allumer un quelconque appareil.
 - Ne toucher à aucun interrupteur électrique; n'utiliser aucun téléphone à l'intérieur du bâtiment.
 - Faire évacuer tous les occupants de la pièce, du bâtiment ou de la zone concernée.
 - Appeler immédiatement le fournisseur de gaz depuis le téléphone d'un voisin. Suivre les instructions du fournisseur de gaz.
 - Si le fournisseur de gaz n'est pas joignable, appeler les pompiers.
- L'installation et la mise en service doivent être réalisées par un installateur qualifié, une agence de service / entretien ou le fournisseur de gaz.

⚠️ AVERTISSEMENT

Afin de réduire le risque d'incendie, de choc électrique ou de blessures corporelles lors de l'utilisation de cet appareil, observer certaines précautions fondamentales, notamment :

REMARQUE : Cette sècheuse est conforme aux versions les plus récentes des normes ANSI Z21.5.1 ou ANSI/UL 2158 - CAN/CSA C22.2 N° 112-97 pour un USAGE DOMESTIQUE UNIQUEMENT. Cette sècheuse n'est pas recommandée pour un usage commercial, comme une utilisation dans un restaurant ou un institut de beauté.

- Lire toutes les instructions avant d'utiliser cet appareil.
- Avant d'être utilisé, cet appareil doit être correctement installé et placé dans la pièce, conformément aux instructions d'installation.
- Utiliser cet appareil uniquement dans le but auquel il est destiné et tel que décrit dans le présent manuel d'utilisation.
- Ne pas utiliser la sècheuse pour le séchage de vêtements dans un cadre commercial.

SÈCHEUSE À GAZ - PRÉCAUTIONS À PRENDRE

⚠️ AVERTISSEMENT

Pour votre sécurité, il est important de respecter les informations fournies dans ce manuel pour minimiser les risques d'incendie ou d'explosion, ou pour éviter tout dommage matériel ou corporel ou encore tout décès.

IMPORTANT : L'installation de gaz doit être conforme aux codes locaux, ou en l'absence de ces codes, au National Fuel Gas Code, à la norme ANSI Z223.1/NFPA 54 ou au Code des installations pour gaz naturel ou propane, CSA B149.1.

- Les travaux d'installation doivent être exécutés par un plombier ou tuyauteur qualifié ou licencié, ou par le personnel qualifié d'une entreprise licenciée par l'État, la province ou la région dans lequel cet appareil est installé.
- Les matériaux combustibles, l'essence et autres vapeurs et liquides inflammables ne doivent pas être entreposés à proximité de la sècheuse.

PRÉCAUTIONS GÉNÉRALES DE SÉCURITÉ

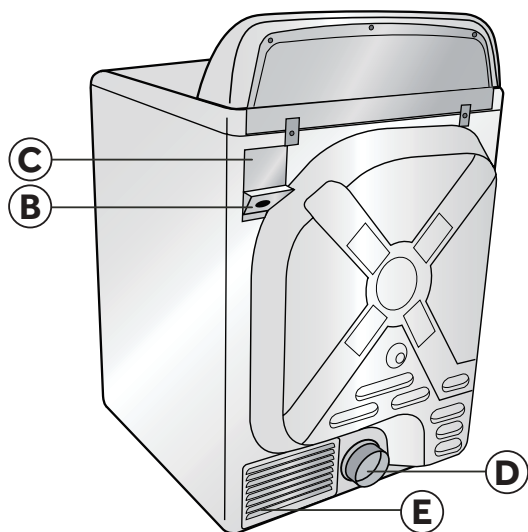
- La zone située autour de l'ouverture d'évacuation et les zones adjacentes doit être exempte de peluches et de poussière.
- Dégager l'emplacement de la sècheuse de façon à ce qu'il soit libre de tout élément susceptible d'entraver le débit d'air de combustion et de ventilation par le panneau à persiennes situé à l'arrière de la sècheuse.

- Une surveillance attentive s'impose lorsque cet appareil est utilisé par ou à proximité d'enfants. Ne pas laisser des enfants jouer avec l'appareil, ni jouer dessus ou à l'intérieur.
- Ne pas sécher d'articles précédemment nettoyés, trempés ou tachés avec de l'essence, des solvants pour nettoyage à sec ou d'autres substances inflammables explosives car ces substances dégagent des vapeurs qui pourraient s'enflammer ou exploser.
- Ne pas placer d'articles tachés d'huile de cuisson dans la sècheuse. Les articles ayant été au contact d'huile de cuisson peuvent provoquer une réaction chimique susceptible d'enflammer la charge de vêtements.
- Si certains articles ont été au contact de substances liquides ou solides inflammables, ils ne doivent pas être séchés dans la sècheuse avant que toute trace de liquide ou vapeur inflammable n'ait été éliminée.
- Ne pas accéder à l'intérieur de la sècheuse lorsque le tambour est en mouvement.
- Ne pas effectuer d'intervention non autorisée sur les commandes.
- Ne pas utiliser d'assouplissants pour tissu ou de produits visant à éliminer l'électricité statique à moins que cela ne soit recommandé par le fabricant de l'assouplissant pour tissu ou du produit.
- Ne pas utiliser de chaleur pour sécher des articles contenant du caoutchouc mousse ou des matières similaires.
- Nettoyer le filtre à peluches avant ou après chaque charge.
- L'intérieur de l'appareil et le conduit d'évacuation doivent être nettoyés régulièrement par un personnel d'entretien qualifié.
- Afin de réduire le risque de choc électrique, débrancher cet appareil de l'alimentation électrique avant d'effectuer un dépannage ou un nettoyage.
REMARQUE : Le fait de tourner le bouton de sélection de programme à la position "d'arrêt" ne permet PAS de déconnecter l'appareil de l'alimentation électrique.
- Ne jamais débrancher la sècheuse en tirant sur le cordon d'alimentation. Toujours saisir la fiche de branchement fermement pour l'extraire de la prise de courant.
- Ne pas tenter d'effectuer l'entretien, la réparation ou le remplacement d'une quelconque pièce de l'appareil, sauf si cette intervention est expressément recommandé(e) dans ce manuel d'utilisation ou dans les instructions de réparation fournies, que vous comprenez ces instructions et êtes capable de les exécuter.
- Retirer la porte du compartiment de séchage avant de jeter l'appareil ou de le rendre inutilisable.

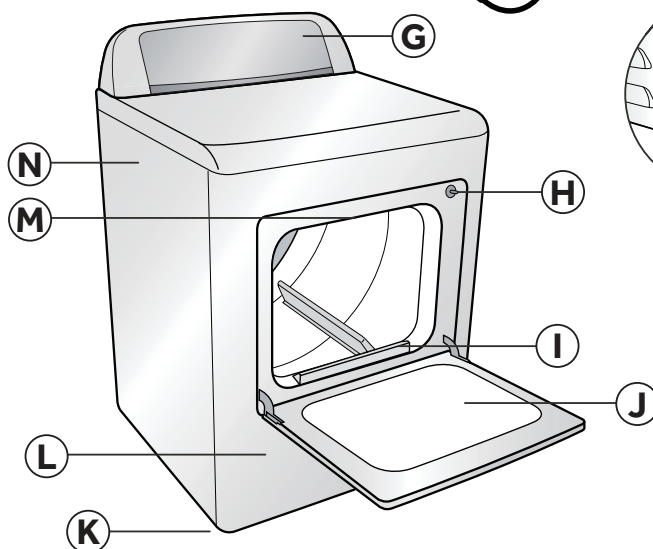
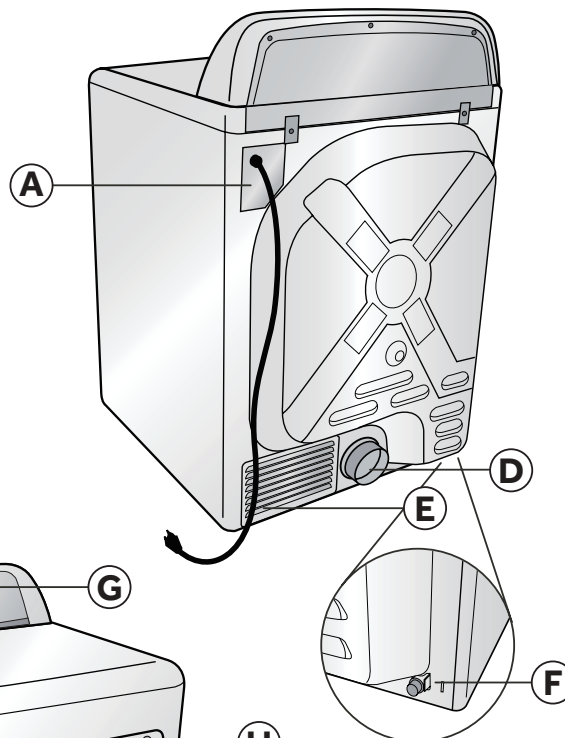
CONSERVER CES INSTRUCTIONS
USAGE DOMESTIQUE EXCLUSIF

PIÈCES ET CARACTÉRISTIQUES

Sécheuse électrique



Sécheuse à gaz



- (A)** Cordon d'alimentation électrique (120 V/60 Hz)
- (B)** Support de montage pour serre-câble (un cordon d'alimentation électrique de 240 volts/60 Hz est fixé aux modèles électriques canadiens)
- (C)** Couvercle de l'ouverture d'accès du boîtier de connexion
- (D)** Sortie d'évacuation
- (E)** Panneau de ventilation à persiennes
- (F)** Canalisation d'arrivée de gaz
- (G)** Tableau de commande
- (H)** Contacteur de sécurité de la porte
- (I)** Filtre à charpie
- (J)** Porte de la sécheuse
- (K)** Pieds de nivellement
- (L)** Panneau avant
- (M)** Lampe interne du tambour
- (N)** Caisse de la sécheuse

INSTRUCTIONS D'INSTALLATION

AVERTISSEMENT

Risque d'incendie

L'installation de la sècheuse à linge doit être effectuée par un installateur qualifié.

Installer la sècheuse à linge conformément aux instructions du fabricant et aux codes locaux.

Ne pas installer de sècheuse à linge avec des matériaux d'évacuation en plastique souple. Si un conduit métallique souple (de type aluminium) est installé, celui-ci doit être d'un type spécifique identifié par le fabricant de l'appareil et pouvant être utilisé avec les sècheuses à linge. Les matériaux d'évacuation souples peuvent s'affaisser, s'écraser facilement et retenir la charpie. Ces situations obstrueront la circulation de l'air de la sècheuse à linge et augmenteront le risque d'incendie.

Pour réduire le risque de blessure grave ou de décès, suivre toutes les instructions d'installation.

IMPORTANT : Pour mettre l'ancienne sècheuse à linge au rebut ou pour l'entreposer, enlever la porte.

DANGER

Avant de jeter votre ancien appareil, retirer la porte ou le couvercle de façon à ce que les enfants ne puissent pas se cacher ou rester coincés dans votre ancien appareil.

IMPORTANT : La sècheuse, une fois installée, doit être correctement reliée à la terre conformément aux codes locaux en vigueur ou, en l'absence de tels codes, au Code national de l'électricité, ANSI/NFPA 70 ou au Code canadien de l'électricité, CSA C22.1.

OUTILS NÉCESSAIRES

- Tournevis Phillips
- Tournevis à lame plate
- Pince multiprise réglable
- Clé plate de ½"
- Niveau
- Mètre-ruban (12 pi [3,7 m] min.)

Pour l'installation d'appareils à gaz uniquement :

- Clé à tuyauterie
- 2 clés à molette

AUTRES PIÈCES NÉCESSAIRES

- Conduit d'évacuation métallique rigide ou flexible de 4" (10,2 cm)
- Brides de conduit
- Ruban adhésif pour conduit
- Cordon d'alimentation électrique (sècheuse électrique utilisée aux É.-U. uniquement)
 - Il est nécessaire d'acheter un ensemble de cordon d'alimentation électrique pour que l'appareil soit en conformité avec les codes locaux régissant les installations électriques. La sècheuse doit utiliser un cordon d'alimentation électrique à 3 ou 4 conducteurs NEMA 14-30 ou 10-30 de type SRDT ou ST (en fonction des exigences) de 120/240 VCA minimum et 30 A, avec conducteurs de grosseur 10 AWG à pointes relevées ou à connecteurs en circuit fermé, et approuvé pour utilisation avec les sècheuses à linge.
 - Serre-câble homologué UL
- Pièces de raccordement au gaz (sècheuse à gaz uniquement)
 - Coude NPT de ¾"
 - Raccord conique NPT de ¾"
 - Connecteur de gaz flexible de ¾"
 - Composé d'étanchéité pour tuyauteries
- Trousse d'installation pour résidence mobile (sècheuse à gaz pour résidence mobile uniquement)

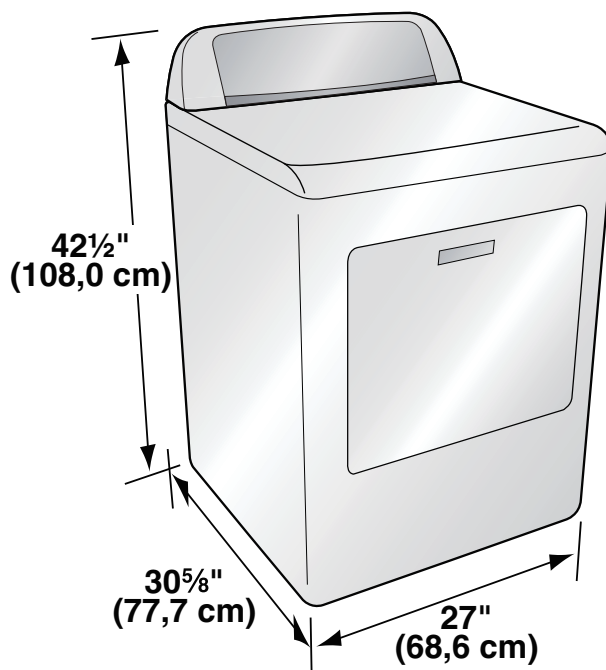
EXIGENCES D'EMPLACEMENT

⚠ AVERTISSEMENT

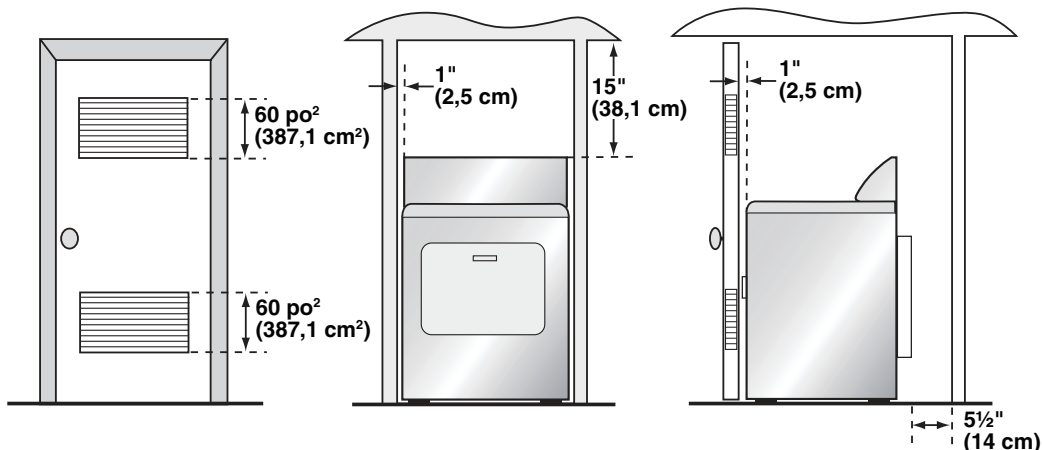
Ne pas installer la sècheuse dans un endroit où sont conservées ou entreposées de l'essence ou d'autres substances inflammables. Si la sècheuse est installée dans un garage, elle doit se trouver au moins à 18 po (45,7 cm) au-dessus du plancher. Le non-respect de ces instructions peut entraîner un décès, une explosion, un incendie ou des brûlures.

- La sècheuse doit être installée sur un plancher résistant. Un plancher en béton est idéal.
- Le plancher doit être de niveau avec une pente maximale de 1" (2,5 cm) sous l'ensemble de la sècheuse.
- L'appareil doit être placé dans un emplacement protégé de la lumière directe du soleil et de sources de chaleur comme des radiateurs, des plinthes électriques ou des appareils de cuisson.
- Ne pas installer sur de la moquette.
- L'emplacement doit comporter les prises électriques et robinets de gaz adaptés. Voir la section "Spécifications de l'alimentation électrique et de l'alimentation en gaz" pour plus de détails.
- Ne pas installer la sècheuse dans une zone où elle sera en contact avec des rideaux, une moquette ou un tapis épais, ou de tout autre matériau susceptible d'obstruer le flux d'air de combustion et de ventilation.
- Ne pas installer ou entreposer cet appareil dans un endroit où il sera exposé à l'eau et/ou aux intempéries.

DIMENSIONS DE LA SÈCHEUSE



SPÉCIFICATIONS POUR ALCÔVE OU PLACARD



DÉGAGEMENTS MINIMUMS

- Les dimensions indiquées correspondent aux dégagements minimaux nécessaires.
- Il faut laisser un dégagement de chaque côté de la sècheuse afin d'éviter tout transfert de bruit.
- Il faut laisser un dégagement à l'arrière de la sècheuse pour permettre le passage du conduit d'évacuation.

AUTRES SPÉCIFICATIONS

- L'évacuation de cette sècheuse doit se faire à l'extérieur.
- Ne pas installer cette sècheuse dans un placard avec porte pleine.
- La porte du placard doit comporter des persiennes ou des ouvertures d'aération, avec une surface d'ouverture minimale de 120 po^2 ($774,2 \text{ cm}^2$), également répartie entre le haut et le bas de la porte. La circulation de l'air ne doit être entravée en aucune manière.
- Aucun autre appareil fonctionnant à base de combustible ne doit être installé dans le même placard que la sècheuse à gaz.

SPÉCIFICATIONS DE L'ALIMENTATION ÉLECTRIQUE ET DE L'ALIMENTATION EN GAZ

INSTRUCTIONS DE LIAISON À LA TERRE :

Cet appareil doit être relié à la terre. En cas d'anomalie de fonctionnement ou de panne, la liaison à la terre réduira le risque de choc électrique en offrant au courant électrique un itinéraire d'évacuation de moindre résistance. Cet appareil est doté d'un cordon électrique comportant un conducteur de mise à la terre d'équipement et une fiche de liaison à la terre. La fiche de raccordement doit être branchée sur une prise de courant appropriée qui soit bien installée et reliée à la terre conformément à tous les codes et règlements locaux.

⚠️ AVERTISSEMENT

Un raccordement inapproprié du conducteur de liaison à la terre d'équipement peut causer un risque de choc électrique. En cas de doute concernant la qualité de la liaison à la terre de l'appareil, consulter un électricien qualifié, un agent ou personnel d'entretien.

SÉCHEUSE ÉLECTRIQUE (É.-U. UNIQUEMENT)

⚠️ AVERTISSEMENT

La sécheuse doit être branchée à une prise électrique à 3 ou 4 fils, correctement reliée à la terre et délivrant une tension monophasée CA uniquement de 120/240 V (ou 120/208 V) à 60 Hz, reliée à un circuit individuel protégé par un fusible temporisé ou un disjoncteur de 30 A. Ne pas faire fonctionner une laveuse et une sécheuse sur un même circuit.

REMARQUE : L'alimentation électrique de la sécheuse doit être conforme aux codes et règlements locaux et à la version la plus récente du Code national de l'électricité, ANSI/NFPA 70.

- Si l'alimentation électrique disponible à l'emplacement d'installation prévu pour la sécheuse ne répond pas aux critères ci-dessus, contacter un électricien agréé.
- Les temps de séchage d'une sécheuse fonctionnant sur un circuit d'alimentation de 208 V seront plus longs que ceux d'une sécheuse fonctionnant sur un circuit de 240 V.
- La sécheuse n'est pas équipée de cordon d'alimentation électrique. Il est nécessaire d'acheter séparément une trousse de cordon d'alimentation conforme aux codes locaux régissant les installations électriques. La sécheuse doit utiliser un cordon d'alimentation électrique à 3 ou 4 conducteurs NEMA 14-30 ou 10-30 de type SRDT ou ST (comme nécessaire) de 120/240 VCA minimum et 30 A, terminé par 3 cosses rondes ou en fourche à pointes relevées et approuvé pour utilisation avec les sécheuses à linge.
- Un serre-câble homologué UL doit être fixé à la sécheuse pour maintenir le cordon d'alimentation électrique.
- Ne pas utiliser de prise secteur à conducteurs en aluminium avec un cordon et une fiche d'alimentation électrique à conducteurs en cuivre (ou inversement). Le raccordement correct comprend un cordon d'alimentation électrique à conducteurs en cuivre et une prise secteur à conducteurs en cuivre.
- La prise électrique doit être située de façon à ce que le cordon d'alimentation électrique soit accessible une fois la sécheuse installée.

SÉCHEUSE ÉLECTRIQUE (CANADA UNIQUEMENT)

AVERTISSEMENT

La sécheuse doit être branchée à une prise électrique à 4 fils, correctement reliée à la terre et délivrant une tension monophasée CA uniquement de 120/240 V à 60 Hz, reliée à un circuit individuel protégé par un fusible temporisé ou un disjoncteur de 30 A. Ne pas faire fonctionner une laveuse et une sécheuse sur un même circuit.

REMARQUE : L'alimentation électrique de la sécheuse doit être conforme aux codes et règlements locaux et à la dernière édition de la norme CSA C22.1 du Code canadien de l'électricité, première partie.

- Si l'alimentation électrique disponible à l'emplacement d'installation prévu pour la sécheuse ne répond pas aux critères ci-dessus, contacter un électricien agréé.
- Ne pas utiliser de prise secteur à conducteurs en aluminium avec un cordon et une fiche d'alimentation électrique à conducteurs en cuivre (ou inversement). Le raccordement correct comprend un cordon d'alimentation électrique à conducteurs en cuivre et une prise secteur à conducteurs en cuivre.
- La prise électrique doit être située de façon à ce que le cordon d'alimentation électrique soit accessible une fois la sécheuse installée.

SÉCHEUSE À GAZ

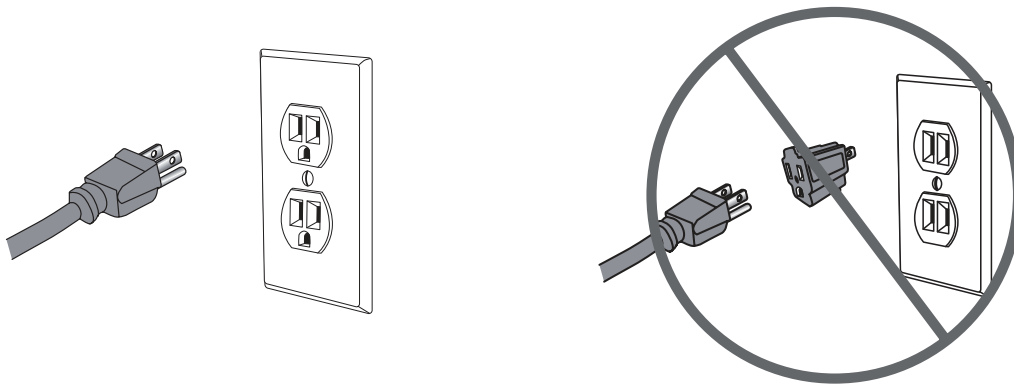
SPÉCIFICATIONS DE L'ALIMENTATION ÉLECTRIQUE

AVERTISSEMENT

La sécheuse à gaz doit être branchée à une prise électrique à 3 fils, correctement reliée à la terre, délivrant une tension monophasée CA uniquement de 120 V à 60 Hz et protégée par fusible temporisé ou un disjoncteur de 15 A.

- Cette sécheuse comporte un cordon d'alimentation électrique à 3 broches. Ne pas couper ou ôter la broche de terre du cordon d'alimentation électrique.
- Le cordon d'alimentation électrique doit être branché sur une prise de courant de configuration correspondante, à 3 broches, reliée à la terre et installée conformément aux codes et règlements locaux. En l'absence de prise de courant de configuration correspondante, contacter un électricien agréé pour installer une prise adaptée.
- En cas de doute sur la qualité de la liaison à la terre de la prise, consulter un électricien agréé.

- Ne pas utiliser d'adaptateur à trois broches.
- Ne pas utiliser de rallonge.



SPÉCIFICATIONS DE L'ALIMENTATION EN GAZ

REMARQUE : L'alimentation en gaz de la sècheuse doit être conforme aux codes et règlements locaux et à la dernière édition de la norme ANSI Z223.1 du National Fuel Gas Code ou CAN/CGA B149.1 au Canada.

Gaz naturel

- La sècheuse est équipée pour une alimentation au gaz naturel.

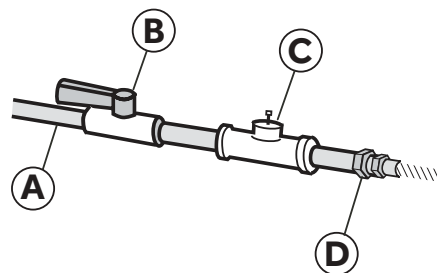
Gaz propane

- La sècheuse peut être convertie pour une alimentation au gaz propane.
- L'opération de conversion au gaz propane doit être exécutée par un technicien qualifié.

Canalisation d'alimentation en gaz

- La canalisation d'alimentation en gaz doit avoir un diamètre de ½" (1,3 cm) et comporter un robinet d'arrêt individuel manuel installé à 6 pi (183 cm) maximum de la sècheuse, conformément au National Fuel Gas Code, ANSI Z223.1/NFPA 54 ou au Canada, au Code des installations pour gaz naturel ou propane, B149.1 pour le Canada.
- Le robinet d'arrêt doit être facilement accessible pour l'ouverture et la fermeture.
- Un connecteur obturé (filetage NPT de ⅛" ou plus) accessible pour le raccordement de l'instrument de mesure doit être installé immédiatement en amont du raccord d'alimentation en gaz de la sècheuse.
- La canalisation d'alimentation doit se terminer par un raccord conique NPT de ⅜".

- (A)** Canalisation d'alimentation en gaz NPT de ½"
- (B)** Robinet d'arrêt du gaz
- (C)** Connecteur obturé (filetage NPT de ⅛" ou plus)
- (D)** Raccord conique NPT ⅜"



SPÉCIFICATIONS DU RACCORDEMENT DE L'ALIMENTATION EN GAZ

Cette sécheuse doit être raccordée à la canalisation d'alimentation en gaz à l'aide d'un connecteur de gaz flexible homologué qui respecte les normes applicables aux connecteurs utilisés avec des appareils ménagers à gaz, ANSI Z21.24 ou CSA 6.10.

Raccord à gaz en acier inoxydable flexible :

- Si les codes locaux le permettent, utiliser un raccord neuf en acier inoxydable flexible (conception homologuée par l'American Gas Association ou par CSA International) pour raccorder la sécheuse à la canalisation rigide d'alimentation en gaz. Selon le besoin, utiliser un coude et un adaptateur de $\frac{3}{8}$ " x tuyau NPT de $\frac{3}{8}$ " entre le raccord de gaz flexible et la canalisation de gaz de la sécheuse, pour éviter toute déformation.

SPÉCIFICATIONS DE L'ALIMENTATION DU BRÛLEUR

Altitudes inférieures ou égales à 10 000 pi (3 048 m) :

- La conception de cette sécheuse a été homologuée par CSA International pour une utilisation jusqu'à une altitude de 10 000 pieds (3 048 m) pour le débit thermique indiqué sur la plaque signalétique du numéro de modèle et de série. Aucun réglage du brûleur n'est nécessaire lorsque la sécheuse est utilisée à une altitude inférieure à cette valeur maximale.

Altitudes supérieures à 10 000 pieds (3 048 m) :

- Si la sécheuse doit être utilisée à une altitude supérieure à 10 000 pieds (3 048 m), il faut réduire de 4 % le débit thermique du brûleur indiqué sur la plaque signalétique du numéro de modèle et de série pour chaque tranche de 1 000 pieds (305 m) d'augmentation de l'altitude.

Test de pression de la canalisation de gaz :

- La sécheuse doit être déconnectée du système de canalisations d'alimentation en gaz lors de tout test de pression à des pressions supérieures à $\frac{1}{2}$ lb/po² (3,5 kPa).

SPÉCIFICATIONS DU SYSTÈME D'ÉVACUATION

⚠ AVERTISSEMENT

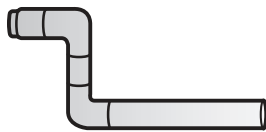
Cette section décrit les critères à respecter pour assurer la sécurité et l'efficacité du système d'évacuation. Le non-respect de ces instructions peut entraîner une mauvaise performance de la sècheuse, un dommage à l'appareil ou un risque d'incendie.

IMPORTANT : L'évacuation de la sècheuse doit se faire à l'extérieur.

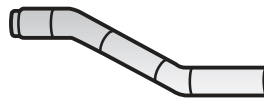
- L'évacuation de la sècheuse ne doit pas se faire dans un conduit d'évacuation de gaz, une cheminée, un mur, un plafond, un grenier, un vide sanitaire ou un vide de construction.

CONDUITS

- Si le système d'évacuation existant est composé de conduits flexibles en plastique ou en papier métallisé, les remplacer par des conduits métalliques rigides.
- Utiliser uniquement des conduits métalliques rigides de 4" (10,2 cm) de diamètre.
- Pour réaliser des changements de direction avec les conduits, utiliser des coudes à 45° plutôt qu'à 90°. Cela améliore la circulation de l'air et peut réduire l'accumulation de charpie dans le système d'évacuation.

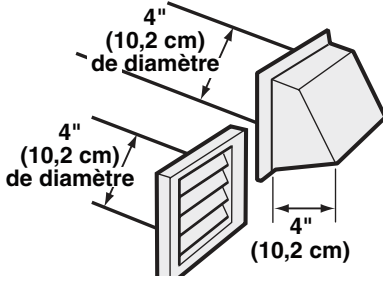
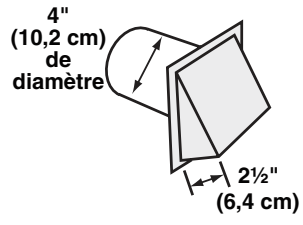


90° - Acceptable



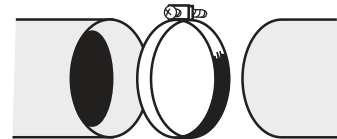
45° - Idéal

- Ne pas dépasser la longueur de conduits par rapport au nombre de coudes indiqué dans le tableau ci-dessous. Cela pourrait entraîner une accumulation de charpie, augmenter la durée de séchage et créer un risque d'incendie.
- Deux coudes à 45° produisent le même freinage qu'un coude à 90°.

Longueur maximale recommandée du système d'évacuation		
Types de bouches d'évacuation		
	Recommandé	Utiliser uniquement pour les circuits courts
		
Nombre de coudes à 90°	Métallique rigide	Métallique rigide
0	90 pieds	60 pieds
1	60 pieds	45 pieds
2	45 pieds	35 pieds
3	35 pieds	25 pieds

- Toutes les jointures doivent être étanches afin d'éviter toute fuite d'air. L'extrémité mâle de chaque section de conduit doit être orientée dans la direction opposée à la sècheuse.

- Utiliser des brides ou du ruban adhésif pour conduit pour sceller toutes les jointures. Ne pas utiliser de vis ou autres dispositifs de fixation qui se prolongeraient à l'intérieur du conduit pour sécuriser la jointure car cela peut retenir la charpie.



Bride

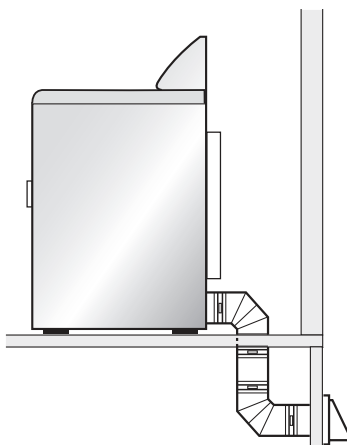
- Éviter d'acheminer le système dans une zone non chauffée car cela entraînera la formation de condensation à l'intérieur du conduit et accélérera le rythme d'accumulation de la charpie.
- Éviter de faire passer le circuit d'évacuation verticalement par un toit pour éviter tout risque de courants d'air descendants susceptibles d'entraver la circulation d'air.
- Éviter que le système d'évacuation ne s'affaisse, ne soit compressé ou coincé car cela réduira la circulation de l'air et affectera la performance de la sècheuse.
- Ne pas grillager l'extrémité du circuit d'évacuation. En s'accumulant, la charpie finira par obstruer le grillage. Utiliser une bouche d'évacuation homologuée à l'extrémité du conduit à l'extérieur.
- La longueur totale du conduit métallique flexible ne doit pas excéder 2,4 m (7,8 pi).

BOUCHE D'ÉVACUATION

- Utiliser une bouche d'évacuation homologuée à clapet oscillant qui s'ouvre lorsque la sècheuse est en fonctionnement. Lorsque la sècheuse s'arrête, le clapet se ferme automatiquement pour éviter les courants d'air et l'entrée de rongeurs et d'insectes.
- Les clapets à persiennes ou de type boîte sont recommandés. Les clapets inclinés peuvent être utilisés, mais uniquement pour des circuits courts. Voir le tableau "Longueur maximale recommandée du système d'évacuation" pour plus d'information.
- Afin d'éviter de réduire la circulation de l'air, maintenir un dégagement minimal de 12" (30,5 cm) entre le clapet d'évacuation et le plancher ou tout autre obstacle éventuel.

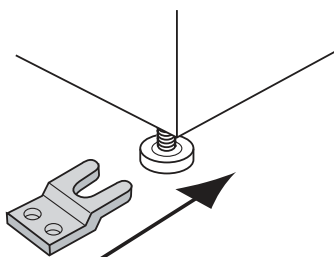
RÉSIDENCE MOBILE – SPÉCIFICATIONS SUPPLÉMENTAIRES

- L'installation doit satisfaire les critères de la version en cours de validité du Manufactured Home Construction and Safety Standard, Titre 24 CFR, partie 3280 ou de la Norme canadienne des habitations préfabriquées, CAN/CSA-Z240 MH.
- Des dispositions particulières doivent être prises pour la circulation de l'air d'appoint extérieur. L'ouverture d'entrée d'air doit être au moins deux fois plus grande que la sortie d'évacuation de la sècheuse.
- Si l'évacuation d'air de la sècheuse se fait par le plancher dans un espace confiné sous la résidence mobile, le circuit d'évacuation doit se terminer à l'extérieur de cet espace et la sortie du conduit doit être solidement fixée à la structure de la résidence mobile.



SÈCHEUSE À GAZ UNIQUEMENT (RÉSIDENCE MOBILE UNIQUEMENT)

- La sècheuse doit être fixée au plancher à l'aide d'une trousse d'installation pour résidence mobile. Suivre les instructions fournies avec la trousse.



INSTRUCTIONS ÉTAPE PAR ÉTAPE

INSTALLATION DE LA SÉCHEUSE

Nous recommandons que l'installation de votre nouvelle sècheuse soit réalisée par un technicien en électroménager qualifié. Si on pense être capable d'installer la sècheuse, lire soigneusement les instructions d'installation avant de procéder à l'installation.

MISE EN GARDE : Si l'utilisateur n'est pas certain que la sècheuse soit correctement installée après avoir suivi ces étapes, contacter un technicien en électroménager qualifié.

ÉTAPE 1 – DÉBALLAGE DE LA SÉCHEUSE

1. Enlever tous les matériaux d'emballage. Cela comprend la base en polystyrène et tous les adhésifs maintenant les accessoires de la sècheuse en place, à la fois à l'intérieur et à l'extérieur.
2. Inspecter la sècheuse et retirer tout emballage, ruban adhésif ou document resté sur l'appareil avant de l'utiliser.

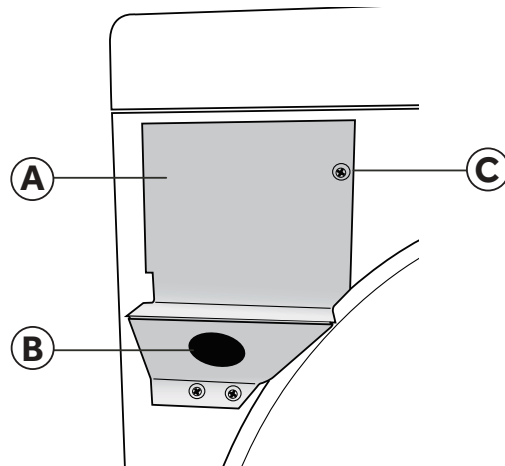
⚠ AVERTISSEMENT

Afin d'éviter tout risque d'étouffement, conserver le sac en plastique et autres matériaux d'emballage hors de portée des bébés et des enfants. Ne pas utiliser ce sac dans des berceaux, poussettes ou parcs pour enfants. Le sac en plastique peut bloquer les orifices du nez et de la bouche et empêcher la respiration. Ce sac n'est pas un jouet.

ÉTAPE 2 – POSE D'UN CORDON D'ALIMENTATION ÉLECTRIQUE SUR LA SÉCHEUSE (SÉCHEUSE ÉLECTRIQUE UNIQUEMENT)

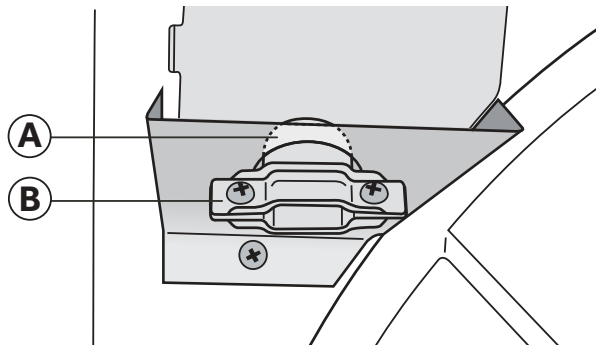
1. Ôter la vis fixant le couvercle de l'ouverture d'accès du boîtier de connexion, situé dans le coin supérieur gauche de l'arrière de la sècheuse.

- A** Couvercle de l'ouverture d'accès du boîtier de connexion
- B** Trou dans le support de montage pour serre-câble
- C** Vis du couvercle de l'ouverture d'accès



2. Insérer un serre-câble homologué UL dans le trou du support de montage. Positionner le serre-câble de façon à ce qu'un onglet soit orienté vers le haut et l'autre vers le bas. Serrer les vis du serre-câble juste assez pour maintenir ensemble les deux moitiés.

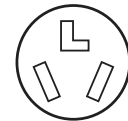
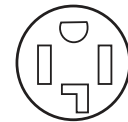
- Ⓐ Onglet
- Ⓑ Serre-câble



3. Insérer un cordon d'alimentation électrique dans le serre-câble. Vérifier que la gaine d'isolation du cordon d'alimentation électrique se glisse à l'intérieur du serre-câble.
4. Pour le raccordement d'un cordon d'alimentation électrique à 4 conducteurs, suivre les instructions de la partie A. Pour le raccordement d'un cordon d'alimentation à 3 conducteurs, suivre les instructions de la partie B.

4 fils (recommandé) si votre domicile est équipé d'une prise secteur à 4 conducteurs (NEMA 14-30 type SRDT ou ST) :

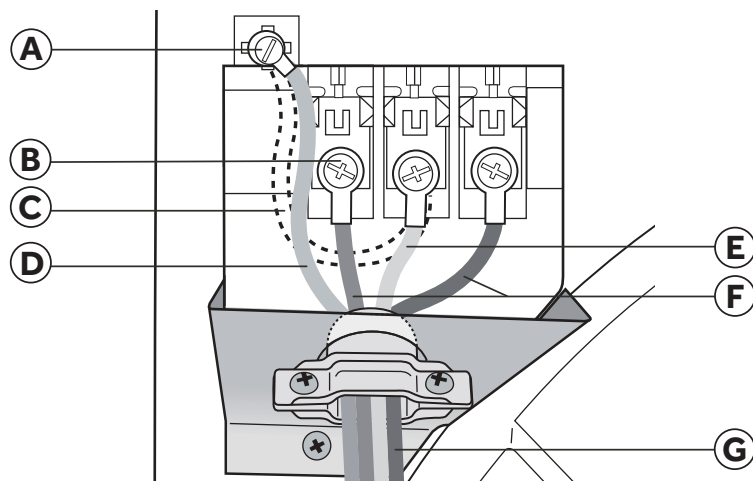
3 fils (en l'absence de circuit 4 fils) si votre domicile est équipé d'une prise secteur à 3 conducteurs (NEMA 10-30 type SRDT) :



MISE EN GARDE : Un cordon à 4 conducteurs doit être utilisé lorsque l'appareil est installé dans un lieu où la liaison à la terre par le conducteur neutre est interdite. Il est interdit de relier l'appareil à la terre par l'intermédiaire du conducteur neutre dans les cas suivants : (1) nouvelle installation sur circuit de dérivation, (2) résidence mobile, (3) véhicule de loisirs, et (4) juridictions dans lesquelles le code local interdit la liaison à la terre par l'intermédiaire du conducteur neutre.

5. Serrer les vis du serre-câble.
6. Veiller à ce qu'aucun conducteur ne touche le tambour à l'intérieur de la caisse de la sècheuse.
7. Réinstaller le couvercle du boîtier de connexion.

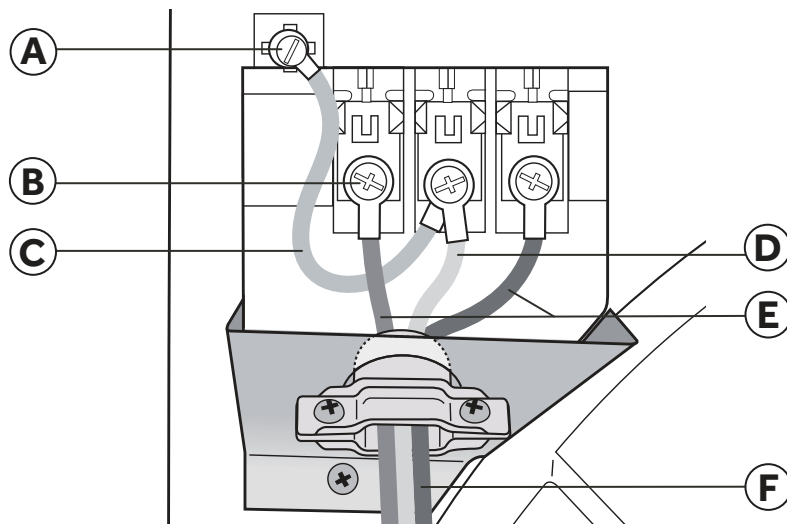
PARTIE A – CORDON D'ALIMENTATION ÉLECTRIQUE À 4 CONDUCTEURS



- A** Vis de liaison à la terre (verte)
- B** Vis du boîtier de connexion
- C** Conducteur de liaison du neutre à la terre (vert)
- D** Conducteur de liaison à la terre du cordon d'alimentation électrique (vert)
- E** Conducteur neutre du cordon d'alimentation électrique (blanc)
- F** Conducteurs de ligne du cordon d'alimentation électrique (un rouge, un noir)
- G** Cordon d'alimentation électrique

- A1.** Retirer la vis verte de liaison à la terre qui connecte le conducteur de liaison du neutre à la terre (vert) à la caisse et la vis centrale du boîtier de connexion, puis jeter le conducteur de liaison.
- A2.** Fixer le conducteur de liaison à la terre du cordon d'alimentation électrique (vert) à la caisse de la sècheuse au moyen de la vis verte de liaison à la terre. Bien serrer la vis.
- A3.** Fixer le conducteur neutre (blanc) du cordon d'alimentation électrique au moyen de la vis centrale du boîtier de connexion. Bien serrer la vis.
- A4.** Fixer chacun des 2 conducteurs restants du cordon d'alimentation électrique (rouge et noir) au moyen des vis les plus à l'extérieur du boîtier de connexion. Fixer un conducteur à chaque boîtier de connexion comme montré sur le schéma. Bien serrer les deux vis.
IMPORTANT : Ne pas plier excessivement les conducteurs et ne pas les sertir aux connexions.

PARTIE B – CORDON D'ALIMENTATION 3 FILS



- A** Vis de liaison à la terre (verte)
- B** Vis du boîtier de connexion
- C** Conducteur de liaison du neutre à la terre (vert)
- D** Conducteur neutre du cordon d'alimentation électrique (blanc)
- E** Conducteurs de ligne du cordon d'alimentation électrique (un rouge, un noir)
- F** Cordon d'alimentation électrique

B1. Fixer le conducteur neutre (blanc) du cordon d'alimentation électrique à la vis centrale du boîtier de connexion. Bien serrer la vis.

B2. Fixer chacun des 2 conducteurs restants du cordon d'alimentation électrique (rouge et noir) au moyen des vis les plus à l'extérieur du boîtier de connexion. Fixer un conducteur à chaque boîtier de connexion comme montré sur le schéma. Bien serrer les deux vis.

IMPORTANT : Ne pas plier excessivement les conducteurs et ne pas les sertir aux connexions.

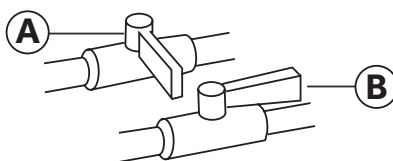
ÉTAPE 2 – RACCORDEMENT À UNE CANALISATION D'ALIMENTATION EN GAZ (SÈCHEUSE À GAZ UNIQUEMENT)

REMARQUE : Ne pas raccorder la sècheuse à une canalisation de gaz propane sans convertir d'abord la sècheuse à l'aide d'une trousse de conversion. Une trousse de conversion au gaz propane doit être installée par un technicien qualifié.

REMARQUE : Appliquer un composé d'étanchéité des tuyauteries résistant à l'action du gaz propane sur tous les filetages mâles. Ne pas utiliser de ruban adhésif pour tuyauterie.

1. Fermer l'alimentation en gaz en plaçant le robinet d'arrêt en position fermée.

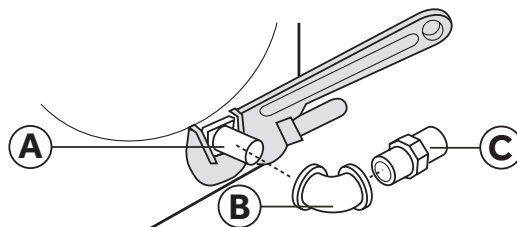
- A** Robinet fermé
- B** Robinet ouvert



2. Déconnecter et jeter l'ancien connecteur de gaz flexible. Remplacer l'ancien connecteur par un connecteur de gaz flexible neuf homologué CSA (AGA).

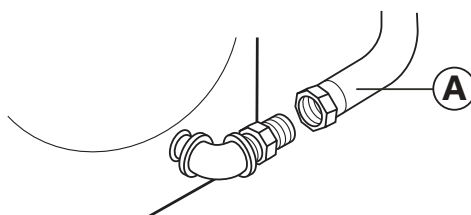
3. Retirer le capuchon d'expédition de la canalisation d'arrivée de gaz situé à l'arrière de la sècheuse.
 4. Raccorder un coude NPT $\frac{3}{8}$ " à la canalisation d'arrivée de gaz sur la sècheuse. Raccorder ensuite un adaptateur conique au coude.
- IMPORTANT :** Utiliser une clé à tuyauterie pour empêcher la canalisation d'arrivée de gaz de la sècheuse de se tordre.

- (A) Canalisation d'arrivée de gaz sur la sècheuse
- (B) Coude NPT de $\frac{3}{8}$ "
- (C) Adaptateur conique NPT de $\frac{3}{8}$ "

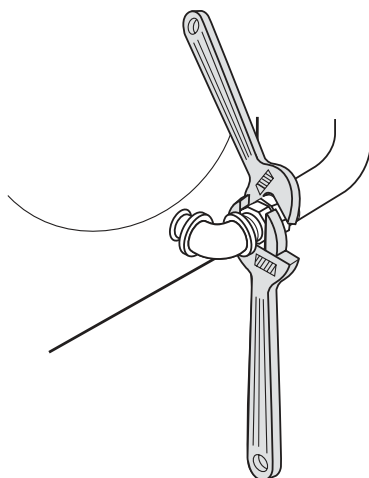


5. Raccorder la sècheuse à la canalisation d'alimentation en gaz avec un connecteur de gaz flexible.

- (A) Connecteur de gaz flexible



6. Serrer le connecteur de gaz flexible à l'aide de deux clés à molette.



7. Ouvrir l'alimentation en gaz en plaçant le robinet d'arrêt en position ouverte. Le robinet est ouvert lorsque la poignée est parallèle au conduit d'alimentation en gaz.
8. Vérifier qu'aucun raccordement ne présente de fuite en les badigeonnant d'une solution de détection des fuites non corrosive. L'apparition de bulles indique la présence d'une fuite. Si une fuite est détectée, fermer le robinet d'arrêt, resserrer la jointure, ouvrir le robinet d'arrêt puis contrôler à nouveau les raccordements.

⚠ AVERTISSEMENT

Ne jamais effectuer de test de détection de fuite de gaz avec une flamme nue.

ÉTAPE 3 - RACCORDEMENT À UN SYSTÈME D'ÉVACUATION

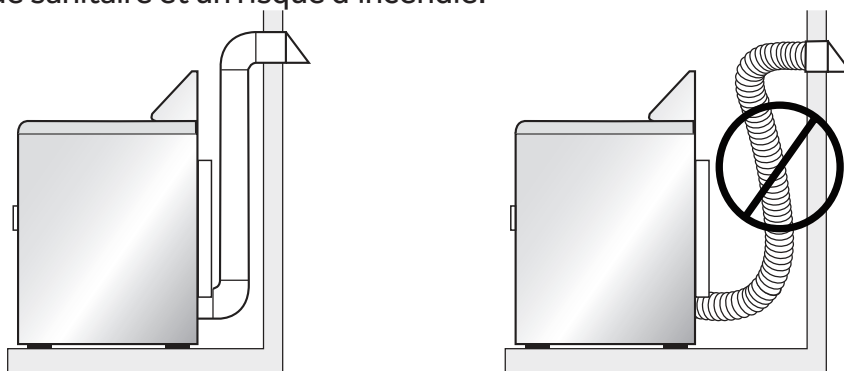
⚠ AVERTISSEMENT

Pour réduire le risque d'incendie, cette sècheuse doit évacuer l'air à l'extérieur.

1. Vérifier que le système d'évacuation n'est pas obstrué par une accumulation de charpie avant de raccorder la sècheuse.
2. Utiliser des conduits métalliques rigides ou flexibles de 4" (102 mm) pour raccorder la sortie d'évacuation de la sècheuse au système d'évacuation.
3. Utiliser des brides pour sceller toutes les jointures. Les conduits d'évacuation ne doivent pas être connectés avec des vis ou tout autre dispositif de serrage qui se prolonge à l'intérieur du conduit.

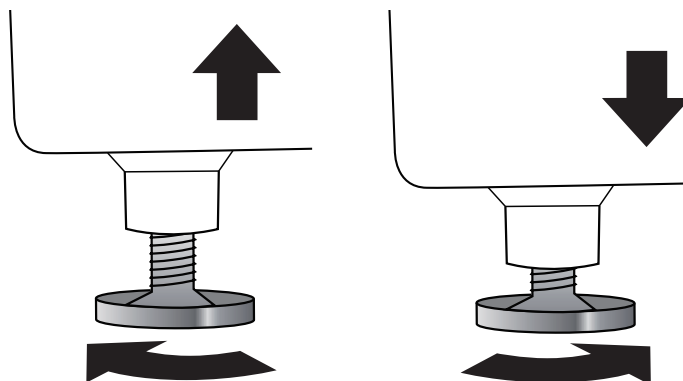
REMARQUES :

- Ne pas utiliser de conduit en papier métallisé ou en plastique flexible. Cela pourrait entraîner une accumulation de charpie à l'intérieur des conduits, réduire la circulation de l'air et créer un risque d'incendie. Une circulation de l'air restreinte augmentera les durées de séchage.
- L'évacuation de la sècheuse ne doit pas se faire dans une cheminée, un mur, un plafond, un grenier, un vide sanitaire ou un vide de construction.
- L'évacuation de la sècheuse doit se faire à l'extérieur. Si l'évacuation de la sècheuse ne se fait pas à l'extérieur, de la charpie fine sera évacuée dans la buanderie. Une accumulation de charpie dans le domicile peut représenter un risque sanitaire et un risque d'incendie.



ÉTAPE 4 – NIVELLEMENT DE LA SÈCHEUSE

1. Installer la sècheuse à son emplacement final. Veiller à ne pas écraser ni déformer le conduit d'évacuation. Vérifier que les quatre pieds sont en contact ferme avec le plancher et que la sècheuse repose solidement dessus.
REMARQUE : Pour une sècheuse à gaz, vérifier que la canalisation de gaz flexible n'est pas déformée.
2. À l'aide d'un niveau, vérifier que la sècheuse est d'aplomb transversalement et d'avant en arrière.
3. Si la sècheuse n'est pas d'aplomb, ajuster les pieds de nivellement. Tourner les pieds dans le sens horaire pour les déployer (et relever la sècheuse) ou antihoraire pour les rétracter (et abaisser la sècheuse).



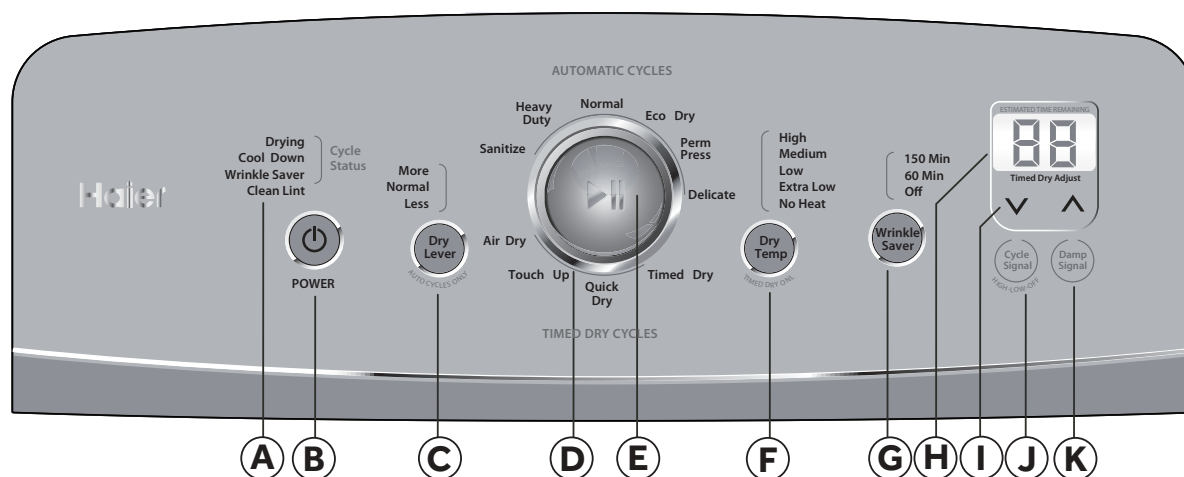
ÉTAPE 5 – FIN DE L'INSTALLATION

1. Brancher le cordon d'alimentation électrique de la sècheuse à une prise de courant adéquate.
2. Restaurer l'alimentation électrique au niveau de la prise. Vérifier que le disjoncteur est activé.
3. Jeter/recycler tous les matériaux d'emballage.
4. S'assurer que l'espace autour de la sècheuse est propre et exempt de matériaux combustibles, essence et autres vapeurs inflammables. Veiller aussi à ce qu'aucun élément (boîtes, vêtements, etc.) n'entrave la circulation d'air de combustion et de ventilation par le panneau à persiennes situé à l'arrière de la sècheuse.
5. Tester le fonctionnement de la sècheuse en sélectionnant un programme minuté de séchage à l'air chaud. Voir la section "Instructions d'utilisation".

REMARQUE : Pour les sècheuses à gaz, il est impératif de purger la canalisation de gaz avant d'allumer le brûleur. Si le brûleur ne s'allume pas en 45 secondes maximum lors de la première mise en marche de la sècheuse, l'interrupteur de sécurité éteint le brûleur. Si cela se produit, éteindre la sècheuse et attendre 5 minutes avant de réessayer d'allumer le brûleur.

TABLEAU DE COMMANDE ET CARACTÉRISTIQUES

TABLEAU DE COMMANDE



A TÉMOINS LUMINEUX DE PROGRAMME

- Lors de la mise sous tension initiale de la sècheuse, les témoins lumineux de programme indiquent les étapes du programme sélectionné.
- Pendant que la sècheuse fonctionne, l'étape en cours clignote. Une fois une étape terminée, le témoin s'éteint et celui de l'étape suivante commence à clignoter.
- Le programme de séchage est entièrement terminé lorsque tous les témoins lumineux s'éteignent.
- Le témoin lumineux Check Lint Screen (contrôle du filtre à charpie) s'allume lorsque la sècheuse est mise en marche pour rappeler à l'utilisateur de nettoyer le filtre à charpie. Il s'éteint quand un programme de séchage commence.

B BOUTON POWER (MISE SOUS TENSION)

- Utiliser ce bouton pour mettre la sècheuse sous tension et hors tension.
REMARQUE : Si la sècheuse est sous tension et qu'aucun programme n'est lancé, elle s'éteint automatiquement au bout de 5 minutes.

C BOUTON DRY LEVEL (NIVEAU DE SÉCHAGE)

- Utiliser ce bouton pour ajuster le niveau de séchage des programmes automatiques.
REMARQUE : Ce bouton fonctionne uniquement avec les programmes automatiques.

D BOUTON DE SÉLECTION DU PROGRAMME

- Il est possible de choisir parmi 6 programmes automatiques :
 - Sanitize** (assainissement) - Utiliser ce programme pour assainir des pièces comme les serviettes, les articles de literie et les vêtements d'enfant. Il est recommandé de ne pas interrompre ce programme.
 - Heavy Duty** (service intense) - Utiliser ce programme pour sécher à haute température des tissus épais, comme les serviettes et les jeans.
 - Normal** - Utiliser ce programme pour sécher à température moyenne les articles en coton et le linge de maison.
 - Eco Dry** (séchage écologique) - Utiliser ce programme pour réaliser des économies d'énergie. Ce programme est semblable au programme Normal, mais fonctionne à une température légèrement inférieure et obtient un niveau de séchage légèrement plus faible.
 - Perm Press** (pressage permanent) - Utiliser ce programme pour sécher les tissus infroissables et à séchage à basse température
 - Delicate** (articles délicats) - Utiliser ce programme pour sécher en douceur à très basse température les articles délicats.
- Il est possible de choisir parmi 4 programmes Timed Dry (séchage minuté) :
 - Timed Dry** (séchage minuté) - Utiliser ce programme pour faire fonctionner la sècheuse pendant la durée réglée. Les vêtements peuvent être humides ou séchés excessivement à la fin du programme.
 - Quick Dry** (séchage rapide) - Utiliser ce programme pour choisir facilement un programme de 20 minutes, afin de sécher rapidement quelques articles.
 - Touch Up** (rafraîchissement) - Utiliser ce programme pour choisir facilement un programme de 10 minutes, afin de rafraîchir des vêtements propres.
 - Air Dry** (séchage à l'air) - Utiliser ce programme pour sécher la mousse, le caoutchouc, le plastique ou les tissus sensibles à la chaleur.

E BOUTON START/PAUSE (MISE EN MARCHÉ/PAUSE)

- Appuyer sur ce bouton pour démarrer un programme sélectionné ou suspendre un programme en cours.
 - REMARQUE :** Une fois un programme lancé, on doit le suspendre pour modifier une des options.
 - REMARQUE :** Si l'on ouvre la porte de la sècheuse, le programme en cours sera également suspendu.
 - REMARQUE :** Lorsque le statut du programme est sur Wrinkle Saver (antifroissement), si l'on appuie sur le bouton Pause ou que l'on ouvre la porte de la sècheuse, le programme en cours sera annulé et l'alimentation électrique sera coupée.

F BOUTON DRY TEMP (TEMPÉRATURE DE SÉCHAGE)

- Utiliser ce bouton pour sélectionner une température de séchage. Pour des résultats optimaux, suivre les instructions sur l'étiquette des vêtements et utiliser la température de séchage la plus élevée possible qui reste sans danger pour le tissu.
 - REMARQUE :** Ce bouton fonctionne uniquement avec les programmes à séchage minuté. La fonction No Heat (sans chaleur) n'est pas disponible avec un programme automatique.

ⓐ BOUTON WRINKLE SAVER (ANTI-FROISSEMENT)

- À la fin du programme de refroidissement, la sècheuse fait culbuter la charge périodiquement pendant 1 heure afin d'empêcher que les vêtements ne se froissent. Utiliser ce bouton pour prolonger cette fonction pendant 150 minutes ou pour la désactiver.

ⓑ AFFICHAGE ESTIMATED TIME REMAINING (DURÉE RESTANTE ESTIMÉE)

- Cet affichage montre le temps total estimé pour un programme de séchage en minutes. Pendant que la sècheuse fonctionne, le décompte du temps restant s'affiche.
- Si la sècheuse détecte un problème, un code d'erreur apparaîtra sur cet affichage. Veuillez consulter la section "Dépannage" pour une liste des codes d'erreur et des causes et solutions possibles.

ⓒ BOUTONS TIMED DRY AJUST (AJUSTEMENT DU SÉCHAGE MINUTÉ)

- Utiliser ces boutons pour ajuster la longueur d'un programme de séchage minuté. La durée peut être ajustée de 10 à 95 minutes, par tranches de 5 minutes.
REMARQUE : Lorsque le statut du programme est sur Cool Down (refroidissement), la durée ne peut pas être ajustée.

ⓓ CYCLE SIGNAL BUTTON (SIGNAL DE PROGRAMME)

- Utiliser ce bouton pour ajuster le volume des signaux sonores du tableau de commande et de fin de programme.

ⓔ BOUTON DAMP SIGNAL (SIGNAL D'HUMIDITÉ)

- Utiliser ce bouton pour activer ou désactiver le signal d'humidité. La fonction de signal d'humidité avertit l'utilisateur quand les vêtements sont secs à environ 80 %. Elle s'avère utile quand on souhaite retirer des articles partiellement secs que l'on a l'intention de repasser. Cela donne aussi la possibilité de démêler et de redistribuer les articles volumineux ou encombrants avant la fin du programme.
REMARQUE : Si le signal de programme est désactivé, le signal d'humidité reste actif.

GUIDE DES PROGRAMMES

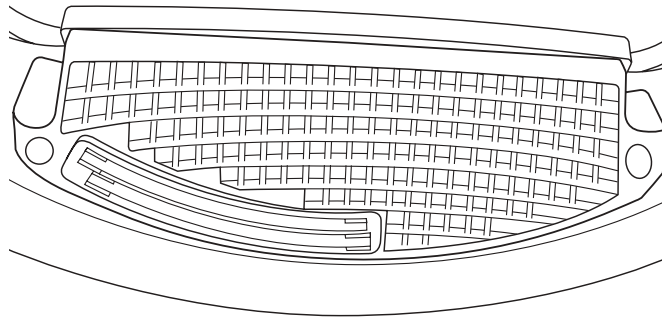
REMARQUE : Pour la protection de vos vêtements, tous les réglages et options ne sont pas disponibles sur tous les programmes. Les cases grisées indiquent les réglages par défaut correspondant à chaque programme.

PRO-GRAMME	TYPE DE TISSU	DURÉE ESTIMÉE	TEMPÉRATURE DE SÉCHAGE	NIVEAU DE SÉCHAGE	OPTIONS
Sanitize (assainissement)	Serviettes, articles de literie, vêtements d'enfants	70	High (Élevée)	More (Plus)	Wrinkle Saver (anti-froissement) Damp Signal (signal d'humidité)
Heavy Duty (service intense)	Articles lourds tels que serviettes et jeans	60	High (Élevée)	More (Plus)	Wrinkle Saver (anti-froissement) Damp Signal (signal d'humidité)
				Normal Less (Moins)	
Normal	Articles en coton, linge de maison et charges mixtes	52	Medium (Moyenne)	More (Plus)	Wrinkle Saver (anti-froissement) Damp Signal (signal d'humidité)
				Normal Less (Moins)	
Eco Dry (séchage écologique)	Articles en coton, linge de maison et charges mixtes	40	Medium (Moyenne)	Normal	Wrinkle Saver (anti-froissement) Damp Signal (signal d'humidité)
				More (Plus) Less (Moins)	
Perm Press (pressage permanent)	Mélanges coton/polyester, chemises et pantalons infroissables	35	Low (Basse)	Normal	Wrinkle Saver (anti-froissement) Damp Signal (signal d'humidité)
				More (Plus) Less (Moins)	
Delicate (articles délicats)	Lingerie, chemisiers et tissus synthétiques	28	Extra Low (Très basse)	Normal	Wrinkle Saver (anti-froissement) Damp Signal (signal d'humidité)
				More (Plus) Less (Moins)	
Timed Dry (séchage minuté)	Articles en coton, linge de maison et charges mixtes	40 Réglable (10-95)	Medium (Moyenne)	N/A	Wrinkle Saver (anti-froissement)
			High (Élevée) Low (Basse) Extra Low (Très basse) No Heat (Sans chaleur)		
Quick Dry (séchage rapide)	Petites charges et articles de sport	20 Réglable (10 to 95)	Medium (Moyenne)	N/A	N/A
			High (Élevée) Low (Basse) Extra Low (Très basse) No Heat (Sans chaleur)		
Touch Up (rafraîchissement)	Articles en coton, linge de maison et charges mixtes	10 Réglable (10 to 95)	Medium (Moyenne)	N/A	N/A
			High (Élevée) Low (Basse) Extra Low (Très basse) No Heat (Sans chaleur)		
Air Dry (séchage à l'air)	Caoutchouc, plastique et tissus sensibles à la chaleur	40 Réglable (10 to 95)	No Heat (Sans chaleur)	N/A	N/A

CARACTÉRISTIQUES

CAPTEUR DU NIVEAU D'HUMIDITÉ

- Le capteur du niveau d'humidité permet à la sècheuse de détecter le taux d'humidité des vêtements de la charge. Les programmes automatiques utilisent cette information, ainsi que des mesures de température de l'air pour terminer le programme de séchage en temps voulu. Cette technologie intelligente permet d'économiser de l'énergie, réduit le taux d'électricité statique et protège les vêtements des dommages liés à un séchage excessif.
- Le capteur fournit également des résultats de séchage cohérents et précis et permet à l'utilisateur de régler les performances de la sècheuse avec précision au moyen du bouton Dry Level (niveau de séchage).



LAMPE INTERNE DU TAMBOUR

- La lampe interne du tambour aide l'utilisateur à mieux voir à l'intérieur de la sècheuse et à retrouver tous ses articles séchés. Un interrupteur sur la caisse allume automatiquement la lumière quand la porte est ouverte et l'éteint quand elle est fermée.
- Voir le Guide d'entretien et de nettoyage pour des instructions étape par étape sur le remplacement de l'ampoule.

INSTRUCTIONS D'UTILISATION

! AVERTISSEMENT

Pour réduire le risque d'incendie, de choc électrique ou de blessures corporelles, lire les INSTRUCTIONS IMPORTANTES DE SÉCURITÉ avant de faire fonctionner cet appareil.

ÉTAPE 1 – PRÉPARATION ET TRI DU LINGE

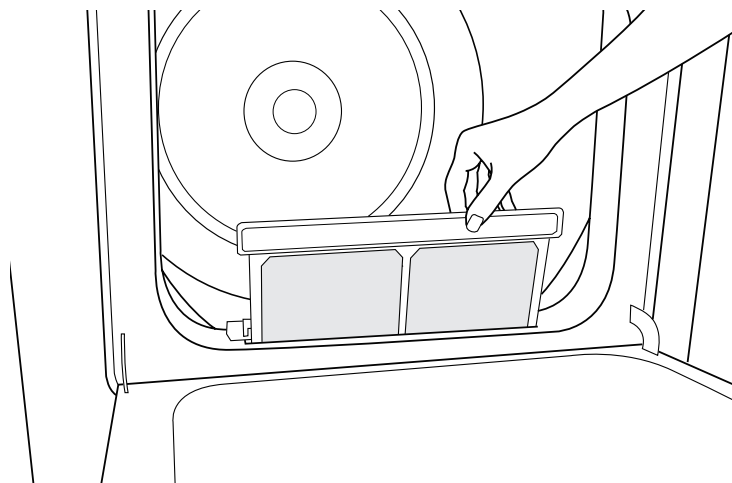
- Consulter les étiquettes des vêtements pour les instructions de séchage du fabricant.
- Si possible, retourner les poches pour obtenir un séchage uniforme.
- Attacher les ceintures et les cordons pour qu'ils ne s'emmêlent pas.
- Fermer les fermetures à glissière, les boutons pression et les crochets afin qu'ils ne s'accrochent pas.
- S'assurer que les boutons et ornements des vêtements résistent à des températures élevées et qu'ils n'endommageront pas la surface du tambour.
- Afin d'éviter que les taches ou souillures ne se fixent sur les tissus, vérifier que toutes les taches et souillures ont été éliminées durant le programme de lavage. Si ce n'est pas le cas, laver à nouveau les articles tachés.
- Pour éviter que les vêtements ne s'emmêlent et faciliter leur retrait de la machine, placer les petits articles dans un filet à vêtements avant de charger le linge.
- Séparer les tissus qui retiennent la charpie de ceux qui la forment. Les vêtements susceptibles de produire de la charpie doivent être retournés sur l'envers avant d'être placés dans la sècheuse.

ÉTAPE 2 - NETTOYAGE DU FILTRE À CHARPIE

1. Nettoyer le filtre à charpie avant chaque utilisation. Pour retirer le filtre à charpie, tirer sur la poignée du filtre à charpie située à l'intérieur de la porte de la sècheuse.
2. Faire rouler la charpie accumulée sur le filtre à charpie avec les doigts pour la retirer. Ne pas rincer ni laver le filtre pour enlever la charpie.
3. Réinstaller le filtre à charpie en le faisant glisser.

REMARQUES :

- Ne pas utiliser la sècheuse si le filtre à charpie n'est pas en place. Sans le filtre, les vêtements à sécher pourraient pénétrer dans le système d'évacuation et endommager la sècheuse.
- L'accumulation de charpie sur le filtre réduira la circulation de l'air et allongera la durée de séchage.



ÉTAPE 3 – CHARGEMENT DE LA SÈCHEUSE

1. Charger les vêtements humides dans le tambour de la sècheuse sans les tasser.
2. Fermer la porte de la sècheuse.

REMARQUES :

- Ne pas remplir la sècheuse de vêtements.
- Une charge de linge adéquate doit représenter entre un tiers et la moitié du volume du tambour. Laisser suffisamment d'espace dans l'appareil pour que les vêtements puissent culbuter librement et sécher uniformément sans se froisser.
- Pour sécher des articles volumineux, ne charger que 2 à 3 articles à la fois en les mêlant à quelques vêtements de petite et moyenne taille.
- Pour les vêtements délicats et les petites charges, ajouter quelques serviettes pour que les vêtements culbutent correctement. Cela permettra aux vêtements de sécher de façon uniforme et sans se froisser.

ÉTAPE 4 – DÉMARRAGE DE LA SÈCHEUSE

1. Mettre la sècheuse sous tension en appuyant sur le BOUTON POWER (mise sous tension).
2. Sélectionner un programme en faisant tourner le BOUTON DE SÉLECTION DU PROGRAMME.
3. Si nécessaire, modifier les réglages et les options par défaut.
4. Pour démarrer la sècheuse, appuyer sur le BOUTON START/PAUSE (mise en marche/pause) à l'avant du bouton rotatif.

REMARQUE :

- Si l'on ouvre la porte, le programme en cours sera suspendu. Fermer la porte et appuyer sur le BOUTON START/PAUSE (mise en marche/pause) pour reprendre le programme.

⚠ AVERTISSEMENT

Toujours débrancher la sècheuse avant le nettoyage afin d'éviter tout choc électrique.

Le non-respect de cet avertissement peut entraîner un décès ou des blessures.

Avant d'utiliser des produits de nettoyage, toujours lire et suivre les instructions et avertissements du fabricant afin d'éviter toute blessure ou tout dommage du produit.

NETTOYAGE ET ENTRETIEN

- Utiliser uniquement un chiffon humide ou imbibé d'eau savonneuse pour nettoyer le tableau de commande.
- Si l'on renverse de l'assouplissant pour tissu, de l'agent de blanchiment ou du détergent liquide/en poudre sur la caisse, essuyer immédiatement la caisse pour éviter d'endommager le revêtement.
- Ne pas utiliser de nettoyants abrasifs, de produits chimiques puissants, d'ammoniaque, d'agent de blanchiment au chlore, de détergent concentré ou de solvants pour nettoyer la sècheuse. Ces produits chimiques peuvent se dissoudre, endommager ou décolorer la sècheuse.
- Ne pas utiliser de nettoyant en atomiseur pour nettoyer l'intérieur de la sècheuse. Cela pourrait produire des vapeurs dangereuses ou entraîner un choc électrique. Si le tambour est taché, nettoyer avec un linge humide. Retirer tout résidu éventuel avant de sécher la charge suivante.

NETTOYAGE DU FILTRE À CHARPIE

- Des résidus de détergent ou d'assouplissant pour tissu peuvent s'accumuler sur le filtre à charpie. Cette accumulation peut rallonger le temps de séchage ou entraîner l'arrêt de la sècheuse avant que la charge ne soit complètement sèche.
- Nettoyer le filtre à charpie tous les 6 mois ou plus souvent s'il est obstrué par une accumulation de résidus.

Étapes à suivre pour le nettoyage du filtre à charpie :

1. Retirer la charpie accumulée en quantité normale avec les doigts.
2. Mouiller les deux côtés du filtre à charpie avec de l'eau chaude.
3. Appliquer du détergent liquide mélangé à de l'eau et frotter à l'aide d'une brosse en nylon.
4. Rincer soigneusement le filtre à charpie à l'eau chaude.
5. Sécher complètement le filtre à charpie avant de le réinstaller et d'utiliser à nouveau la sècheuse.

RETIRER LA CHARPIE ACCUMULÉE

À l'intérieur de la caisse de la sécheuse

- Retirer la charpie tous les 2 ans ou plus souvent, selon l'utilisation de la sécheuse. Le nettoyage doit être effectué par une personne qualifiée.

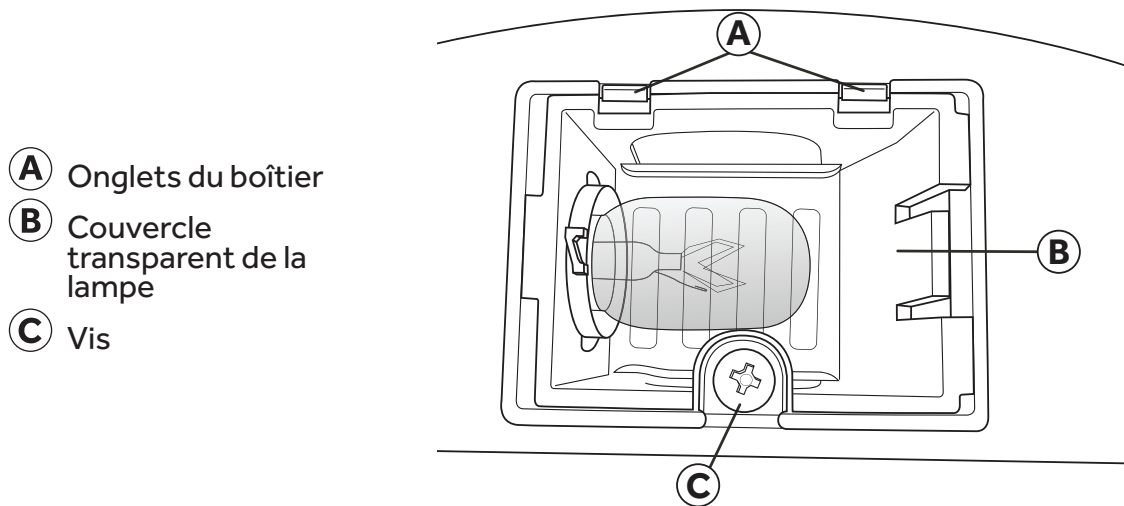
Système d'évacuation

- Le système d'évacuation doit être contrôlé et nettoyé tous les 12 mois au moins dans des conditions d'utilisation normales. Plus on utilise la sécheuse, plus on doit augmenter la fréquence d'inspection du système d'évacuation et de la bouche d'évacuation de la sécheuse pour en vérifier le bon fonctionnement.

REPLACER L'AMPOULE DE LA LAMPE INTERNE DU TAMBOUR

Votre sécheuse est équipée d'un dispositif d'éclairage à DEL situé à l'intérieur du tambour au-dessus de l'ouverture de la porte. Cette lampe est conçue pour fonctionner durant la longévité entière de la sécheuse. Si toutefois la lampe cessait de fonctionner, veuillez contacter un technicien certifié pour la remplacer. Remplacer par une ampoule DEL pour appareils électroménagers de 1 W et 120 volts, de forme T7 à culot intermédiaire (E17) **UNIQUEMENT**.

1. Déconnecter l'alimentation électrique ou débrancher la sécheuse.
2. Ouvrir la porte de la sécheuse. La lampe se trouve à l'intérieur du tambour, au-dessus de l'ouverture de la porte.
3. À l'aide d'un tournevis Phillips, retirer la vis du couvercle transparent de la lampe.



- A** Onglets du boîtier
- B** Couvercle transparent de la lampe
- C** Vis

4. Retirer le couvercle transparent de la lampe en le faisant tourner vers l'avant et en le soulevant pour le sortir des onglets du boîtier.
5. Tourner l'ampoule dans le sens antihoraire pour la dévisser.
6. Remplacer l'ampoule par une ampoule DEL pour appareils électroménagers de 1 W et 120 volts, de forme T7 à culot intermédiaire (E17) **UNIQUEMENT**.
7. Remettre en place le couvercle transparent de la lampe et le fixer à l'aide de la vis.
8. Reconnecter la source de courant électrique ou rebrancher la sécheuse.

PRÉCAUTIONS À PRENDRE AVANT UN DÉPART EN VACANCES

- Débrancher la sécheuse de la prise de courant ou déconnecter l'alimentation électrique.
- Nettoyer le filtre à charpie. Voir la section "Nettoyage du filtre à charpie".
- (Pour les sécheuses à gaz uniquement) : Fermer le robinet d'arrêt de la canalisation de gaz.

PRÉPARATION AVANT UN DÉMÉNAGEMENT OU UN ENTREPOSAGE

Suivre les étapes suivantes en complément des étapes de la section "Précautions à prendre avant un départ".

- Déconnecter la sécheuse du système d'évacuation.
- Tourner les pieds de nivellement de façon à ce qu'ils soient complètement rétractés dans la caisse de la sécheuse.
- Utiliser du ruban adhésif de masquage pour fixer la porte de la sécheuse.
- Déplacer et entreposer la sécheuse uniquement en position verticale.

REMARQUE : Pour les sécheuses à gaz, fermer l'arrivée de gaz qui alimente la sécheuse. Déconnecter la sécheuse de la canalisation d'alimentation en gaz et retirer les raccords fixés au tuyau d'arrivée de gaz de la sécheuse. Fermer la canalisation d'alimentation en gaz à l'aide d'un bouchon.

CODES D'ERREUR

Quand la sècheuse détecte une erreur, toutes les opérations s'arrêtent, une série de 4 signaux sonores retentit et un code d'erreur apparaît sur l'affichage Estimated Time Remaining (durée résiduelle estimée).

CODE D'ERREUR	DESCRIPTION	CAUSE ET SOLUTIONS POSSIBLES
F3 (Court-circuit)	La sècheuse a détecté un problème électrique qui nécessite l'intervention d'un technicien	Qualifié pour une intervention de dépannage.
F4 (Problème de l'élément de chauffage)	La sècheuse électrique a détecté un problème concernant l'élément de chauffage qui nécessite l'intervention d'un technicien qualifié.	Qualifié pour une intervention de dépannage.
	La sècheuse à gaz a détecté un problème concernant le brûleur.	Vérifier que le robinet d'arrêt de la canalisation de gaz est bien ouvert. Si le robinet est ouvert, contacter le service de dépannage.
E6 (Problème de circulation de l'air)	La sècheuse a détecté que l'air ne circule pas.	Vérifier que le filtre à charpie est propre. Contrôler que votre système d'évacuation n'a pas d'obstructions manifestes. Si l'erreur persiste, appeler pour demander une intervention de dépannage.

BRUITS DE FONCTIONNEMENT NORMAUX

- Les bruits suivants sont normaux lorsque la sècheuse est en cours de fonctionnement.
- Bruit de culbutage : Il est normal d'entendre ce bruit dans la mesure où les vêtements mouillés et lourds sont projetés en permanence contre les parois de la sècheuse.
- Bruit de refoulement d'air : Cela se produit lorsque le tambour de la sècheuse tourne et que de l'air pénètre à l'intérieur du tambour.

LA SÈCHEUSE NE FONCTIONNE PAS

- Vérifier que la sècheuse est branchée. La fiche de raccordement peut s'être débranchée.
- Vérifier que la tension à la prise de courant murale est correcte. Les sècheuses électriques nécessitent une alimentation électrique de 240 V.
- Vérifier s'il est nécessaire de réenclencher le disjoncteur ou de remplacer le fusible.
- Vérifier que la porte de la sècheuse est bien fermée.

LES VÊTEMENTS NE SÈCHENT PAS

- La sècheuse est peut-être surchargée. Les vêtements mouillés ne doivent pas occuper plus de la moitié du volume total du tambour.
- Inspecter le circuit d'évacuation et le clapet d'évacuation. Le système d'évacuation doit être complètement exempt de toute obstruction.
- Le système d'évacuation doit être entretenu et nettoyé régulièrement.
- Il sera peut-être nécessaire de trier la charge de la sècheuse. Les vêtements lourds doivent être séparés des vêtements légers.
- Il sera peut-être nécessaire de réagencer les articles encombrants.
- Inspecter le filtre à charpie. Le filtre à charpie doit être nettoyé avant chaque charge.
- Vérifier que la sècheuse n'est pas programmée sur le réglage de température Air Fluff (duvetage à l'air) (sans chaleur).
- Pour les sècheuses à gaz, s'assurer que la canalisation d'alimentation en gaz est bien ouverte.

LA SÈCHEUSE FAIT DU BRUIT

Bruit de grattement ou son métallique :

- Des objets étrangers se trouvent peut-être dans le tambour de la sècheuse. Arrêter la sècheuse et vérifier qu'elle ne contient pas d'objets comme des clés, des pièces de monnaie ou des objets lourds.

Bruits de vibration :

- La charge est peut-être mal répartie. Arrêter la sècheuse et réagencer la charge de linge.
- La sècheuse n'est peut-être pas d'aplomb. Vérifier que les 4 pieds de nivellement sont en contact ferme avec le plancher et que la sècheuse est d'aplomb.
- Voir la section "Bruits de fonctionnement normaux".

Électricité statique :

- Causée par un séchage excessif. Ajuster les réglages pour réduire la durée de séchage et utiliser un assouplissant pour tissu ou une feuille d'assouplissant pour sècheuse.

La charge est froissée :

- La charge de linge est peut-être restée trop longtemps dans la sècheuse à la fin du programme. Veiller à retirer rapidement les vêtements une fois le programme terminé.
- La sècheuse est peut-être surchargée. Le tambour de la sècheuse doit être à moitié plein – c'est le niveau maximal de remplissage.

Odeurs :

- Si on laisse des vêtements mouillés dans la laveuse ou la sècheuse, ceux-ci peuvent développer une odeur désagréable. Les sécher ne permettra pas de supprimer cette odeur. Laver à nouveau les vêtements avant de les sécher.
- L'élément de séchage électrique peut dégager une odeur forte lors de la première utilisation de la sècheuse. L'odeur disparaîtra après le premier programme.

GARANTIE LIMITÉE

SERVICE À DOMICILE

GARANTIE COMPLÈTE DE UN AN

Pendant 12 mois à compter de la date d'achat d'origine, Haier réparera ou remplacera gratuitement n'importe quelle pièce (main-d'œuvre comprise) comportant un défaut de matériau ou de fabrication.

GARANTIE LIMITÉE

Au-delà d'un an après la date d'achat d'origine, Haier fournira gratuitement une pièce (tel qu'indiqué cidessous) pour remplacer ladite pièce suite à un défaut de matériau ou de fabrication. Haier assume l'entière responsabilité du coût de cette pièce. Tous autres frais, tels les frais de main-d'œuvre, de déplacement, etc, sont à la charge du propriétaire.

De la deuxième à la cinquième année

Haier fournira toutes les pièces de rechange défectueuses présentant un défaut de matériau ou de fabrication.

REMARQUE : Cette garantie prend effet à la date à laquelle l'article a été acheté et le reçu de l'achat d'origine doit être présenté au représentant de dépannage autorisé avant qu'une quelconque réparation sous garantie ne soit effectuée.

Exceptions : Garantie pour usage commercial ou usage de location

90 jours sur la main-d'œuvre à compter de la date d'achat d'origine

90 jours sur les pièces à compter de la date d'achat d'origine

Aucune autre garantie ne s'applique.

SERVICE AU TITRE DE LA GARANTIE

Contactez le centre de dépannage autorisé le plus proche. Tout dépannage doit être effectué par un centre de dépannage autorisé Haier. Pour le nom et le numéro de téléphone du centre de dépannage autorisé le plus proche de votre domicile, composez le 1-877-337-3639.

Avant d'appeler le centre, veuillez garder à disposition les renseignements suivants :

Numéros de plaque signalétique de l'appareil.
Le nom et l'adresse du revendeur auprès duquel vous avez acheté l'appareil, ainsi que la date d'achat.

Une description claire du problème rencontré.

Une preuve d'achat (reçu de vente).

Cette garantie est valable pour le service des appareils domestiques aux États-Unis contigus et au Canada et lorsque le service est disponible, en Alaska, à Hawaï et Porto Rico.

Cette garantie ne couvre pas :

Le remplacement ou la réparation des fusibles, disjoncteurs, du câblage ou du circuit de

plomberie du domicile.

Un produit dont le numéro de série d'origine a été enlevé ou modifié.

Tous frais de dépannage non identifiés comme étant normaux tel un dépannage dans une zone ou une tranche horaire normale.

Vêtements endommagés.

Les dommages liés à l'expédition.

Les dommages liés à une installation ou un entretien inadapté.

Les dommages causés par l'un des éléments suivants : Mauvaise utilisation, utilisation abusive, accident, incendie ou catastrophe naturelle.

Les dommages résultant d'un dépannage fourni par une entité autre qu'un revendeur ou centre de dépannage autorisé Haier.

Les dommages causés par un courant, une tension ou une alimentation électrique incorrects.

Les dommages résultant d'une quelconque modification ou altération du produit ou d'un ajustement non autorisé par Haier.

Un ajustement des commandes utilisées par le consommateur tel qu'identifiées dans le manuel de l'utilisateur.

Les tuyaux, boutons, plateaux à peluches et tout accessoire ou pièce jetable.

Les frais de main-d'œuvre, transport pour dépannage et d'expédition pour le retrait et le remplacement de pièces défectueuses au-delà de la période de 12 mois.

Les dommages liés à une utilisation autre qu'une utilisation domestique normale.

Tout frais de transport et d'expédition.

CETTE GARANTIE LIMITÉE REMPLACE TOUTE AUTRE GARANTIE EXPRESSE OU IMPLICITE, Y COMPRIS LES GARANTIES DE COMMERCIALISATION OU DE PERTINENCE À UN USAGE PARTICULIER

Le recours offert dans cette garantie est exclusif et se substitue à toute autre garantie.

Cette garantie ne couvre pas les dommages fortuits ou indirects; aussi les limitations décrites ci-dessus peuvent ne pas s'appliquer à votre cas. Certains États ne permettent pas de limitation sur la durée d'une garantie implicite, aussi les limitations décrites ci-dessus peuvent ne pas s'appliquer à votre cas.

Cette garantie vous confère des droits juridiques spécifiques. Vous pouvez également jouir d'autres droits qui peuvent varier d'un État à l'autre.

Haier America
Wayne, NJ 07470

ÍNDICE

INSTRUCCIONES IMPORTANTES DE SEGURIDAD	71
Precauciones para la secadora a gas	72
Precauciones generales relativas a la seguridad.....	72
PIEZAS Y CARACTERÍSTICAS	74
INSTRUCCIONES DE INSTALACIÓN	75
Herramientas necesarias	75
Piezas adicionales requeridas	76
Requisitos de ubicación.....	76
Requisitos del suministro eléctrico y de gas	78
Requisitos para la conexión del suministro de gas.....	81
Requisitos de entrada del quemador	81
Requisitos del sistema de escape	82
Requisitos adicionales para las casas rodantes	84
INSTRUCCIONES PASO A PASO.....	85
Paso 1 – Desempaque la secadora	85
Paso 2 – Conecte un cable eléctrico a la secadora (solamente para la secadora eléctrica).....	85
Paso 2 – Conecte a la línea de suministro de gas (solamente para la secadora a gas).....	88
Paso 3 – Conecte a un sistema de escape.....	90
Paso 4 – Nivele la secadora.....	91
Paso 5 – Complete la instalación.....	91
PANEL DE CONTROL Y CARACTERÍSTICAS	92
INSTRUCCIONES PARA EL FUNCIONAMIENTO.....	97
Paso 1 – Prepare y separe las prendas	97
Paso 2 – Limpie el filtro de pelusa	97
Paso 3 – Cargue la secadora.....	98
Paso 4 – Ponga la secadora en marcha	98
GUÍA PARA EL CUIDADO Y LA LIMPIEZA.....	99
Limpieza y mantenimiento.....	99
Lavado del filtro de pelusa.....	99
Eliminación de pelusa acumulada	100
Cambio de la bombilla interna del tambor.....	100
Precauciones al irse de vacaciones.....	101
Preparación para la mudanza o el almacenaje	101
SOLUCIÓN DE PROBLEMAS.....	102
GARANTÍA LIMITADA.....	104

INFORMACIÓN A TENER EN CUENTA

Le agradecemos la compra de este producto de marca Haier. Este manual para el usuario le ayudará a obtener el mejor funcionamiento de su nueva secadora.

Para referencia futura, anote el número de modelo y de serie, que están situados detrás de la puerta de la secadora, y la fecha de compra.

Engrape el comprobante de compra a este manual para asistirle cuando necesite obtener servicio bajo la garantía.

Número de modelo

Número de serie

Fecha de compra

INSTRUCCIONES IMPORTANTES DE SEGURIDAD

⚠ ADVERTENCIA

ADVERTENCIA: Por su seguridad, debe tenerse en cuenta la información de este manual para minimizar el riesgo de incendio o explosión, o para prevenir daños a los bienes, lesiones personales o muerte.

- No almacene ni use gasolina u otros vapores y líquidos inflamables cerca de éste o cualquier otro electrodoméstico.
- PASOS QUE USTED DEBE SEGUIR SI HUELE A GAS:
 - No trate de encender ningún aparato electrodoméstico.
 - No toque ningún interruptor eléctrico; no use ningún teléfono en su edificio.
 - Desaloje a todos los ocupantes del cuarto, edificio o área.
 - Llame inmediatamente a su proveedor de gas desde el teléfono de un vecino. Siga las instrucciones de su proveedor de gas.
 - Si usted no puede comunicarse con su proveedor de gas, llame al departamento de bomberos.
- La instalación y el servicio deben ser realizados por un instalador calificado, una agencia de servicio o por el proveedor de gas.

⚠️ ADVERTENCIA

A fin de reducir el riesgo de incendio, choque eléctrico o lesiones personales al usar el aparato, siga las precauciones básicas, incluidas las siguientes:

NOTA: La secadora ha sido diseñada cumpliendo los requisitos de ANSI Z21.5.1 o ANSI/UL 2158 - CAN/CSA C22.2 No. 112-97 (últimas ediciones) SOLAMENTE PARA USO DOMÉSTICO. No se recomienda usar esta secadora para aplicaciones comerciales, tales como restaurantes y salones de belleza.

- Lea todas las instrucciones antes de usar este aparato.
- Antes de usarse este aparato, deberá ser debidamente instalado y ubicado de acuerdo con las instrucciones de instalación.
- Use este aparato solamente para el propósito que fue diseñado, como se describe en este manual para el usuario.
- No use la secadora para secar ropa en entornos comerciales.

PRECAUCIONES PARA LA SECADORA A GAS

⚠️ ADVERTENCIA

Por su seguridad, debe tenerse en cuenta la información de este manual para minimizar el riesgo de incendio o explosión, o para prevenir daños a los bienes, lesiones personales o muerte.

IMPORTANTE: La instalación de gas debe cumplir con los códigos locales y en la ausencia de códigos locales, con el Código nacional de gas combustible (National Fuel Gas Code), ANSI Z223.1/NFPA 54 o el Código de instalación de gas natural y propano (Natural Gas and Propane Installation Code), CSA B149.1.

- La instalación deberá llevarse a cabo por parte de un contratista competente o con licencia, un plomero o un instalador de gas competente o autorizado por el estado, la provincia o la región en donde se instale este aparato.
- Los materiales combustibles, la gasolina y otros vapores y líquidos inflamables no deben guardarse cerca de la secadora.

PRECAUCIONES GENERALES RELATIVAS A LA SEGURIDAD

- Mantenga el área alrededor de la abertura de ventilación y las áreas adyacentes a esta abertura sin pelusa, polvo o tierra.
- Mantenga el área donde está la secadora despejada y libre de artículos que pudieran obstruir el flujo de aire para la combustión y la ventilación a través del panel con rejillas ubicado en la parte posterior de la secadora.

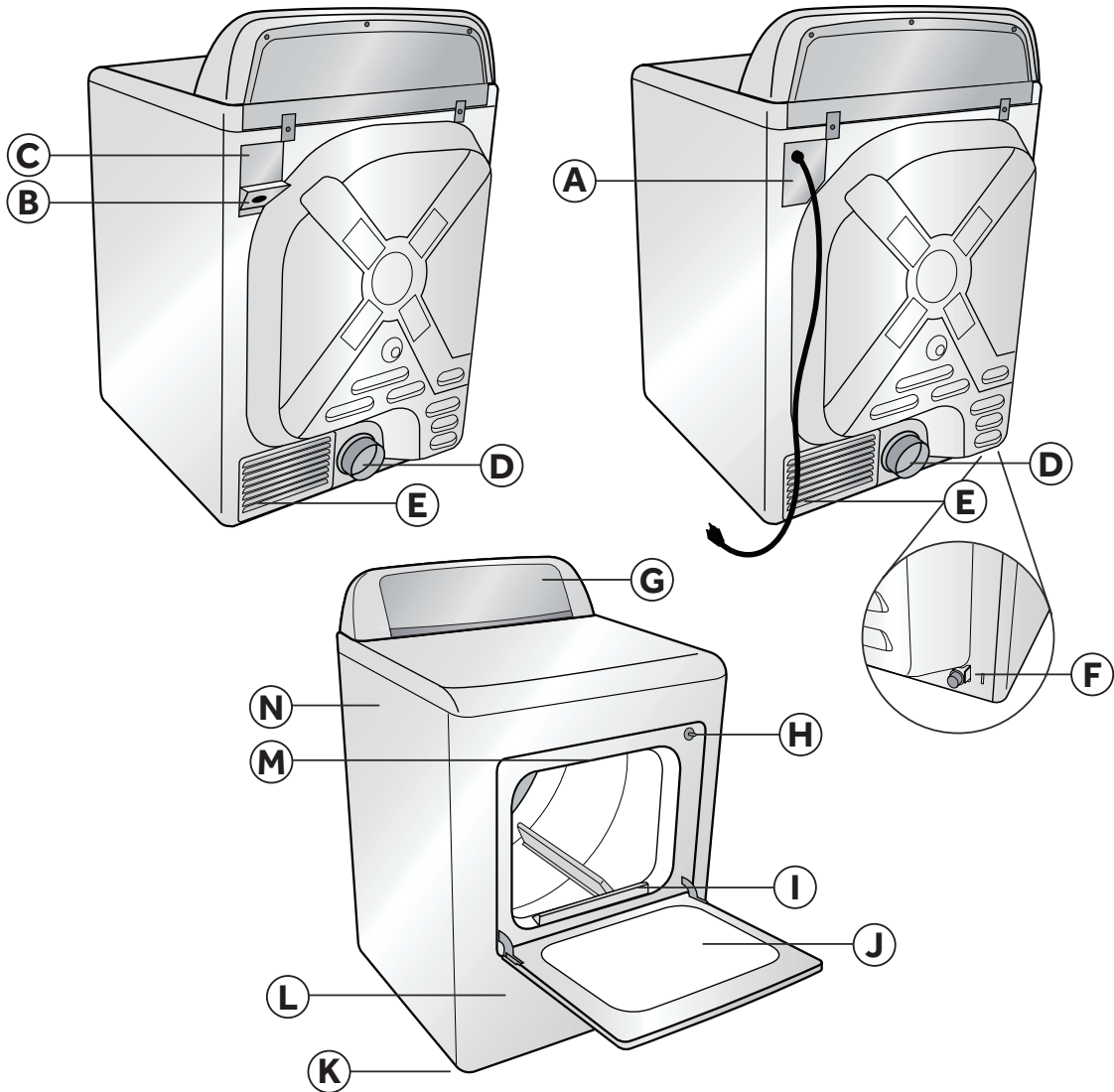
- Es necesario supervisar cuidadosamente a los niños si los mismos usan el aparato o cuando éste se use cerca de ellos. No permita que los niños jueguen con o sobre este aparato ni en el interior del mismo.
- No seque artículos que ya se hayan limpiado, lavado, remojado o manchado con gasolina, disolventes de limpieza en seco, u otras sustancias inflamables o explosivas ya que despiden vapores que pueden encenderse o causar una explosión.
- No coloque los objetos expuestos a aceite para cocinar en su secadora. Los objetos expuestos a aceite para cocinar pueden contribuir a una reacción química que podría causar que una carga se inflame.
- Si se ha usado el material con líquidos o sólidos inflamables, no deberá secarse en la secadora hasta que se haya quitado todo rastro de líquidos y vapores inflamables.
- No introduzca las manos en el aparato cuando el tambor esté en movimiento.
- No trate de forzar los controles.
- No utilice suavizantes de telas o productos para eliminar la estática de las prendas a menos que lo recomiende el fabricante del suavizante de telas o del producto en uso.
- No utilice calor para secar artículos que contengan goma espuma o materiales con textura similar a la goma.
- Limpie el filtro de pelusa antes o después de cada carga.
- La parte interior del aparato y el ducto de escape deben limpiarse periódicamente por parte de personal de servicio competente.
- Para reducir al mínimo la posibilidad de un choque eléctrico, desenchufe este aparato del suministro de energía antes de intentar realizar el mantenimiento o la limpieza.
NOTA: El apagado de la unidad con el botón Power (Encendido) NO desconecta el aparato del suministro de energía.
- Nunca desenchufe la secadora jalándola del cable eléctrico. Siempre sujete el enchufe con firmeza y jálelo de modo recto fuera del contacto.
- No intente proveer servicio, reparar ni reemplazar ninguna parte del aparato a menos que esto se recomiende específicamente en este manual o en instrucciones de reparación publicadas para el usuario que usted comprenda y si cuenta con la experiencia necesaria para llevar a cabo dicha reparación.
- Antes de desechar la secadora o de retirarla del servicio, quítele la puerta o la tapa del compartimiento de secado.

GUARDE ESTAS INSTRUCCIONES SOLAMENTE PARA USO DOMÉSTICO

PIEZAS Y CARACTERÍSTICAS

Secadora eléctrica

Secadora a gas



- (A)** Cable eléctrico (120 voltios/60 Hz)
- (B)** Soporte de montaje del protector de cables (El modelo eléctrico canadiense tiene conectado un cable de suministro eléctrico de 240 voltios/60 Hz.)
- (C)** Cubierta de acceso del bloque de terminal
- (D)** Salida de ventilación
- (E)** Panel de ventilación con rejillas
- (F)** Tubo de entrada de gas
- (G)** Panel de control
- (H)** Interruptor de seguridad de la puerta
- (I)** Filtro de pelusa
- (J)** Puerta de la secadora
- (K)** Patas niveladoras
- (L)** Panel delantero
- (M)** Luz interna del tambor
- (N)** Gabinete de la secadora

INSTRUCCIONES DE INSTALACIÓN

⚠ ADVERTENCIA

Riesgo de incendio

La instalación de la secadora de ropa debe estar a cargo de un instalador competente.

Instale la secadora de ropa según las instrucciones del fabricante y los códigos locales.

No instale una secadora de ropa con materiales de ventilación de plástico flexible. Si se usa un conducto de metal flexible (de hoja de metal), éste deberá ser de un tipo específico, que esté identificado por el fabricante de electrodomésticos como apto para ser usado con secadoras de ropa. Es sabido que los materiales de ventilación flexible se derrumban, se aplastan con facilidad y atrapan pelusa. Estas condiciones obstruirán el flujo de aire de la secadora de ropa y aumentarán el riesgo de incendio.

Para reducir el riesgo de lesiones severas o la muerte, siga todas las instrucciones de instalación.

IMPORTANTE: Cuando descarte o guarde su vieja secadora de ropa, quítele la puerta.

⚠ PELIGRO

Antes de deshacerse de su viejo aparato, quítele la puerta o la tapa, para que los niños no puedan esconderse ni quedar atrapados dentro del mismo.

IMPORTANTE: Al instalar la secadora, deberá ser conectada a tierra de acuerdo con los códigos locales, o en la ausencia de códigos locales, con el Código nacional eléctrico (National Electrical Code), ANSI/NFPA 70 o el Código canadiense de electricidad (Canadian Electrical Code), CSA C22.1.

HERRAMIENTAS NECESARIAS

- Destornillador Phillips
- Destornillador de hoja plana
- Pinzas de articulación regulables
- Llave de extremo abierto de ½"
- Nivel de carpintero
- Cinta de medir (de 12 pies [3,7 m] mín.)

Solamente para las instalaciones a gas:

- Llave para tubos
- 2 llaves ajustables

PIEZAS ADICIONALES REQUERIDAS

- Tubería de escape de metal rígido o flexible de 4" (10,2 cm)
- Abrazaderas para ducto
- Cinta para tubos
- Cable eléctrico (solamente para la secadora eléctrica de EE.UU.)
 - Deberá comprarse un juego de cable de suministro eléctrico que satisfaga los códigos eléctricos locales. Deberá usarse para la secadora un cable de suministro eléctrico de 3 ó 4 hilos tipo NEMA 14-30 ó 10-30, SRDT o ST (según se necesite) de 120 /240 voltios CA como mínimo, 30 amperios, con 10 conductores AWG con los extremos hacia arriba o conectores con lazo cerrado, marcados para ser usados con secadoras de ropa.
 - Protector de cables que esté en la lista de UL
- Piezas para la conexión a gas (solamente para la secadora a gas)
 - Codo NPT de $\frac{3}{8}$ "
 - Accesorio adaptador abocinado NPT de $\frac{3}{8}$ "
 - Conector de gas flexible de $\frac{3}{8}$ "
 - Compuesto para unión de tuberías
- Juego para la instalación en casas rodantes (solamente para las secadoras a gas de casas rodantes)

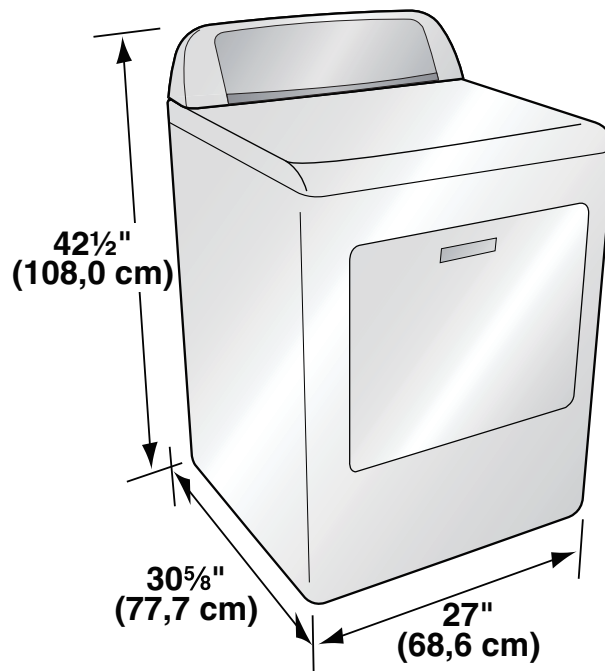
REQUISITOS DE UBICACIÓN

ADVERTENCIA

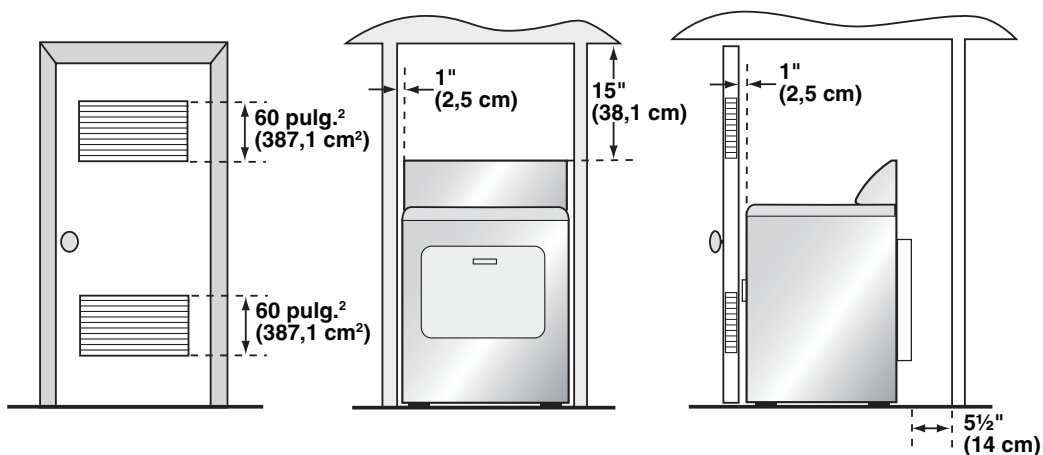
No instale la secadora en lugares donde se guarda o se almacena gasolina u otros productos inflamables. Si se instala la secadora en un garage, deberá estar a un mínimo de 18 pulgadas (45,7 cm) por encima del piso. No seguir estas instrucciones puede ocasionar la muerte, explosión, incendio o quemaduras.

- La secadora deberá instalarse sobre un piso sólido. El piso de hormigón es el mejor.
- El piso deberá estar nivelado con un declive máximo de 1" (2,5 cm) debajo de toda la secadora.
- Un lugar apropiado, protegido de la luz directa del sol y de fuentes de calor, tales como radiadores, zócalos radiantes o aparatos de cocción.
- No la instale sobre una alfombra.
- La ubicación deberá tener contactos apropiados para el suministro eléctrico y de gas. Consulte la sección "Requisitos del suministro eléctrico y de gas" para obtener detalles.
- No instale la secadora en un área donde esté en contacto con cortinas, alfombras pesadas o cualquier cosa que pudiera obstruir el flujo de aire para la combustión y la ventilación.
- No instale ni almacene este aparato donde esté expuesto al agua y/o a la intemperie.

DIMENSIONES DE LA SECADORA



REQUISITOS PARA ALCOBAS O CLÓSETS



ESPACIOS MÍNIMOS

- Las dimensiones que se muestran son los espacios mínimos recomendados permitidos.
- Se necesita que haya espacio a los lados de la secadora para evitar la transferencia de ruido.
- Será necesario que haya espacio en la parte posterior de la secadora para colocar la tubería de escape.

OTROS REQUISITOS

- Esta secadora deberá ventilarse al exterior.
- No instale la secadora en un clóset con una puerta maciza.
- La puerta del clóset deberá tener rejillas u orificios de ventilación con una abertura mínima de 120 pulg.² (774,2 cm²), dividida en partes iguales en la parte superior e inferior de la puerta. No deberá obstruirse el flujo de aire de ningún modo.
- No se debe instalar ningún otro electrodoméstico que use combustible en el mismo clóset en el que se encuentra la secadora a gas.

REQUISITOS DEL SUMINISTRO ELÉCTRICO Y DE GAS

INSTRUCCIONES DE PUESTA A TIERRA:

Este aparato debe estar conectado a tierra. En el caso de funcionamiento defectuoso o avería, la conexión reducirá el riesgo de choque eléctrico al proporcionar una vía de menor resistencia para la corriente eléctrica. Este electrodoméstico está equipado con un cable que cuenta con un conductor para la conexión a tierra del equipo y un enchufe de conexión a tierra. El enchufe debe conectarse en un contacto apropiado que esté debidamente instalado y conectado a tierra de acuerdo con todos los códigos y ordenanzas locales.

ADVERTENCIA

La conexión inadecuada del conductor a tierra para el equipo puede resultar en un riesgo de choque eléctrico. Si no está seguro de que la conexión a tierra del aparato sea la adecuada, verifíquela con un electricista o técnico de servicio competente.

SECADORA ELÉCTRICA (SOLAMENTE PARA EE.UU.)

ADVERTENCIA

La secadora deberá enchufarse en un contacto eléctrico debidamente puesto a tierra, de 3 o 4 hilos, monofásico, de 120/240 voltios (o de 120/208 voltios), 60 Hz, CA solamente, conectado a un circuito individual de 30 amperios con fusible, con un cortacircuitos o fusible retardador de 30 amperios. No ponga a funcionar una lavadora y una secadora en el mismo circuito.

NOTA: El suministro eléctrico de la secadora deberá cumplir con los códigos y ordenanzas locales, y la última edición del Código nacional eléctrico (National Electrical Code), ANSI/NFPA 70.

- Si el suministro eléctrico que hay disponible en la ubicación deseada para la secadora no satisface los requisitos mencionados anteriormente, póngase en contacto con un electricista competente con licencia.
- Una secadora que funciona con un suministro eléctrico de 208 voltios demorará más tiempo para secar que si estuviera funcionando con un suministro eléctrico de 240 voltios.

- La secadora no ha sido equipada con un cable eléctrico. Deberá comprarse por separado un juego que satisfaga los códigos eléctricos locales. Puede usarse para la secadora un cable de suministro eléctrico de 3 o 4 hilos tipo NEMA 14-30 o 10-30, SRDT o ST (según se necesite) de 120/240 voltios CA como mínimo, 30 amperios, con 3 conectores de horquilla con extremos abiertos, con los extremos hacia arriba o conectores con lazo cerrado, marcados para ser usado con secadoras de ropa.
- Deberá sujetarse a la secadora un protector de cables que esté en la lista de UL para sostener el cable eléctrico.
- No use un receptáculo de alambres de aluminio con un cable y enchufe con hilos de cobre (o viceversa). La combinación apropiada de cableado y receptáculo deberá ser un cable eléctrico con hilos de cobre con un receptáculo con hilos de cobre.
- El contacto eléctrico deberá estar ubicado de modo que el cable esté accesible cuando la secadora esté instalada en su sitio.

SECADORA ELÉCTRICA (EN CANADÁ SOLAMENTE)

ADVERTENCIA

La secadora deberá enchufarse en un contacto eléctrico debidamente puesto a tierra, de 4 hilos, monofásico, de 120/240 voltios, 60 Hz, CA solamente, conectado a un circuito individual de 30 amperios con fusible, con un cortacircuitos o fusible retardador de 30 amperios. No ponga a funcionar una lavadora y una secadora en el mismo circuito.

NOTA: El servicio eléctrico a la secadora deberá hacerse conforme a los códigos y ordenanzas locales, y la última edición del Código eléctrico canadiense (Canadian Electrical Code), CSA C22.1, parte 1.

- Si el suministro eléctrico que hay disponible en la ubicación deseada para la secadora no satisface los requisitos mencionados anteriormente, póngase en contacto con un electricista competente con licencia.
- No use un receptáculo de alambres de aluminio con un cable y enchufe con hilos de cobre (o viceversa). La combinación apropiada de cableado y receptáculo deberá ser un cable eléctrico con hilos de cobre con un receptáculo con hilos de cobre.
- El contacto eléctrico deberá estar ubicado de modo que el cable esté accesible cuando la secadora esté instalada en su sitio.

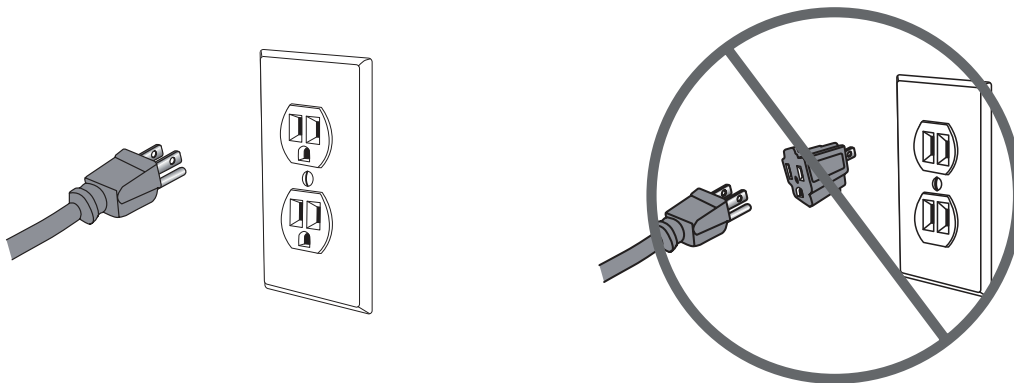
SECADORA A GAS

REQUISITOS DEL SUMINISTRO ELÉCTRICO

⚠ ADVERTENCIA

La secadora a gas deberá enchufarse en un contacto eléctrico debidamente puesto a tierra, de 3 hilos, monofásico, de 120 voltios, 60 Hz, CA solamente, con un cortacircuitos o fusible retardador de 15 amperios.

- La secadora viene equipada con un cable eléctrico dotado de un enchufe de 3 terminales. No corte ni quite la terminal de puesta a tierra del enchufe.
- El cable eléctrico deberá ser enchufado en un contacto apropiado de 3 terminales, conectado a tierra de acuerdo con todos los códigos y ordenanzas locales. Si no hay un contacto adecuado, comuníquese con un electricista con licencia para que instale uno.
- Si usted no está seguro de que el contacto esté debidamente conectado a tierra, comuníquese con un electricista con licencia.
- No use un adaptador para cable de 3 terminales.
- No use un cable eléctrico de extensión.



REQUISITOS DEL SUMINISTRO DE GAS

NOTA: El servicio de gas a la secadora deberá hacerse de acuerdo con los códigos y ordenanzas locales y la última edición del Código nacional de gas combustible (National Fuel Gas Code), ANSI Z223.1 o, en Canadá, CAN/CGA B149.1.

Gas natural

- La secadora está equipada para uso con gas natural.

Gas LP (Propano líquido)

- La secadora puede convertirse para usarse con gas LP.
- La conversión a gas LP deberá llevarla a cabo un técnico de gas competente.

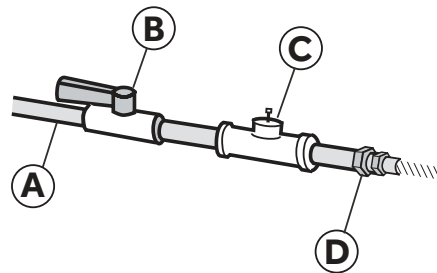
Línea de suministro de gas

- La línea de suministro de gas deberá ser un tubo de ½" (1,3 cm) y deberá tener una válvula de cierre individual manual instalada a menos de 6 pies (183 cm) de la secadora, según el Código nacional de gas combustible (National Fuel Gas Code), ANSI Z223.1/NFPA 54, o, en Canadá, con el Código para la instalación de

gas natural y propano (Natural Gas and Propane Installation Code), B149.1.

- La válvula de cierre deberá estar donde se pueda alcanzar con facilidad para cerrarla y abrirla.
- Se debe instalar una derivación tapada NPT de por lo menos $\frac{1}{8}$ ", accesible para las pruebas de calibre, inmediatamente por encima de la conexión de suministro de gas a la secadora.
- La línea de suministro debe terminar con un accesorio adaptador abocinado NPT de $\frac{3}{8}$ ".

- Ⓐ Línea de suministro de gas NPT de $\frac{1}{2}$ "
- Ⓑ Válvula de cierre del gas
- Ⓒ Derivación tapada NPT de $\frac{1}{8}$ " como mínimo
- Ⓓ Accesorio adaptador abocinado NPT de $\frac{3}{8}$ "



REQUISITOS PARA LA CONEXIÓN DEL SUMINISTRO DE GAS

Esta secadora debe conectarse a la línea de suministro de gas con un conector aprobado de gas flexible que cumpla con las normas para conectores de electrodomésticos a gas, ANSI Z21.24 o CSA 6.10.

Conector de gas flexible de acero inoxidable:

- Si los códigos locales lo permiten, use un conector de gas flexible nuevo de acero inoxidable (diseño certificado por la Asociación estadounidense de gas o CSA International), para conectar su secadora a la línea rígida de suministro de gas. Use un codo y un accesorio adaptador abocinado NPT de $\frac{3}{8}$ " por $\frac{3}{8}$ " entre el tubo de acero inoxidable y el tubo de gas de la secadora, para evitar que se doblen.

REQUISITOS DE ENTRADA DEL QUEMADOR

Elevaciones de hasta 10.000 pies (3.048 m):

- El diseño de esta secadora está certificado por CSA Internacional para uso en altitudes que alcanzan los 10.000 pies (3.048 m) sobre el nivel del mar en la categoría de B.T.U. indicada en la placa del número de modelo/serie. No se requieren ajustes de la entrada del quemador cuando se usa la secadora hasta esta altitud.

Elevaciones por encima de 10.000 pies (3.048 m):

- Si se instala la secadora a un nivel superior a los 10.000 pies (3.048 m) de altitud, se requiere una reducción de categoría de B.T.U. del 4% del quemador, que se muestra en la placa del número de modelo/serie, por cada incremento de 1.000 pies (305 m) de altitud.

Prueba de presión del suministro de gas:

- Durante pruebas de presión a presiones mayores de $\frac{1}{2}$ lb/pulg.² (3,5 kPa), la secadora debe ser desconectada de la tubería del suministro de gas.

REQUISITOS DEL SISTEMA DE ESCAPE

⚠ ADVERTENCIA

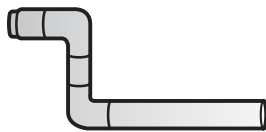
En esta sección se describen los requisitos para un sistema de escape seguro y eficaz. No seguir estas instrucciones puede ocasionar un rendimiento de secado insatisfactorio, daños a la secadora y peligro de incendio.

IMPORTANTE: La secadora deberá ventilarse al exterior.

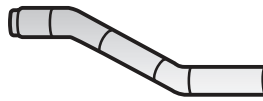
- La secadora no debe tener salida de ventilación hacia ningún ducto de gas, chimenea, pared, techo, desván, espacio angosto, o el espacio oculto de un edificio.

TUBERÍA

- Si el sistema de escape actual ha sido construido con un ducto de plástico o metal de hoja flexible, reemplácelo con un ducto de metal rígido.
- Use solamente un ducto de metal rígido de 4" (10,2 cm) de diámetro.
- Cuando haga giros en la tubería, use codos de 45° en vez de 90°. Esto provee un mejor flujo de aire y puede reducir la acumulación de pelusa en el sistema de escape.



90° - Bueno



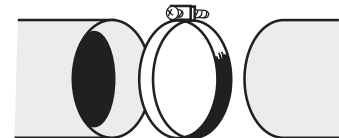
45° - Mejor

- No exceda la longitud del ducto para el número de codos que se muestran en la tabla a continuación. El hacerlo puede ocasionar acumulación de pelusa, aumentar el tiempo de secado y crear un riesgo de incendio.
- Dos codos de 45° equivalen a un codo de 90°.

Longitud máxima recomendada de escape		
Tipos de capota de ventilación		
	Se recomienda	Use solamente para las instalaciones de tendido corto
N° de codos de 90°	Metal rígido	Metal rígido
0	90 pies	60 pies
1	60 pies	45 pies
2	45 pies	35 pies
3	35 pies	25 pies

- Todas las uniones deberán estar ajustadas para evitar fugas. El extremo macho de cada sección de la tubería deberá estar dirigido lejos de la secadora.

- Utilice abrazaderas o cinta para ductos para conectar y sellar todas las uniones. No las conecte con tornillos ni otros sujetadores que se extiendan en el interior del tubo, ya que crearán un punto en donde se acumulará la pelusa.



Abrazadera

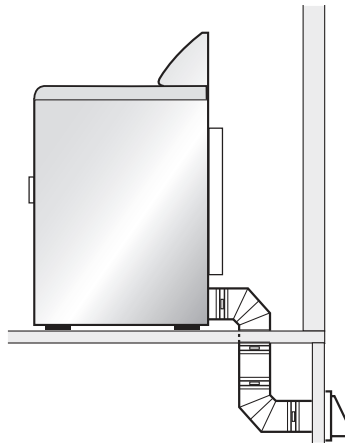
- Evite dirigir el sistema de escape a través de un área sin calor, ya que esto hará que se forme condensación en el interior del ducto y aumentará la acumulación de pelusa.
- Evite dirigir el sistema de escape en forma vertical a través del techo, ya que esto puede exponer el sistema de escape a corrientes de aire descendentes, ocasionando una mayor restricción de aire.
- Evite que el sistema de escape se doble, se comprima o se pliegue, ya que esto hará que se reduzca el flujo de aire y ocasionará un rendimiento insatisfactorio de secado.
- No ponga un filtro en el extremo del sistema de escape. Se acumulará pelusa y con el tiempo obstruirá el filtro. Use una capota de ventilación aprobada para terminar el ducto en el exterior.
- La longitud total del ducto de metal flexible no deberá exceder los 2,4 m (7,8 pies).

CAPOTA DE VENTILACIÓN

- Use una capota de ventilación aprobada con una compuerta que se abra hacia fuera cuando la secadora esté funcionando. Cuando se detenga la secadora, la compuerta se cerrará automáticamente para evitar corrientes de aire y la entrada de insectos y roedores.
- Se recomiendan las capotas de ventilación estilo persiana o estilo caja. Son aceptables las capotas de estilo angular, pero deberán usarse solamente para las instalaciones con un tendido corto. Consulte la tabla "Longitud máxima recomendada de escape" para obtener más información.
- Para evitar restringir el flujo de aire, mantenga un espacio mínimo de 12" (30,5 cm) entre la capota de ventilación y el piso u otra obstrucción.

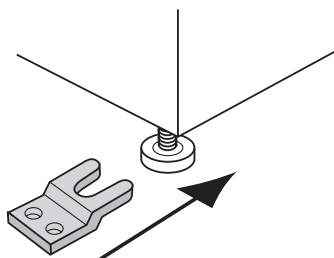
REQUISITOS ADICIONALES PARA LAS CASAS RODANTES

- La instalación deberá hacerse conforme al Estándar para la construcción y seguridad de hogares manufacturados (Manufactured Home Construction and Safety Standard), Título 24 CFR-Parte 3280 o el Estándar canadiense para los hogares manufacturados (Canadian Manufactured Home Standard), CAN/CSA-Z240 MH.
- Deberán tomarse medidas especiales para el aire exterior de complemento. La abertura deberá ser, por lo menos, dos veces más grande que la salida de escape de la secadora.
- Si se ventila la secadora a través del piso y dentro de un área encerrada debajo de la casa rodante, el sistema de escape deberá terminar en el exterior del recinto, con la terminación bien asegurada a la estructura de la casa rodante.



SOLAMENTE PARA LA SECADORA A GAS (SOLAMENTE PARA CASAS RODANTES)

- La secadora deberá asegurarse al piso usando un juego para la instalación en casas rodantes. Siga las instrucciones provistas con el juego.



INSTRUCCIONES PASO A PASO

INSTALACIÓN DE LA SECADORA

Se recomienda que su nueva secadora sea instalada por un técnico de aparatos competente. Si le parece que tiene la habilidad para instalar la secadora, lea las instrucciones detalladamente antes de hacerlo.

CUIDADO: Si después de seguir estos pasos no está seguro de haber instalado la secadora adecuadamente, póngase en contacto con un técnico de aparatos competente.

PASO 1 – DESEMPAQUE LA SECADORA

1. Quite todos los materiales de empaque. Esto incluye la base de espuma y toda la cinta adhesiva que mantiene sujetos adentro y afuera los accesorios de la secadora.
2. Inspeccione y quite los restos de materiales de empaque, cinta o material impreso antes de usar la secadora.

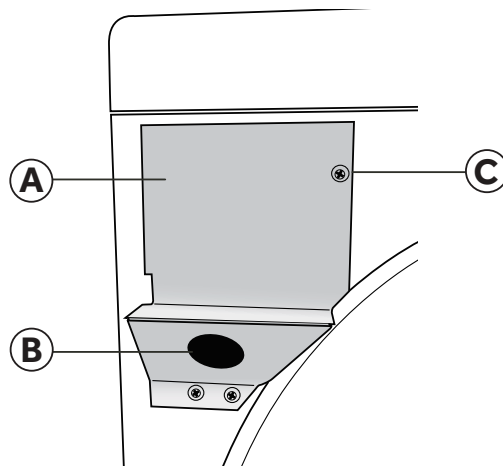
⚠ ADVERTENCIA

Para evitar el peligro de asfixia, mantenga la bolsa de plástico y otros materiales de empaque lejos del alcance de bebés y niños. No use esta bolsa en cunas, cochecitos ni corrales. La bolsa de plástico podría bloquear la nariz y la boca, impidiendo la respiración. Esta bolsa no es un juguete.

PASO 2 – CONECTE UN CABLE ELÉCTRICO A LA SECADORA (SECADORA ELÉCTRICA - SOLAMENTE PARA EE.UU.)

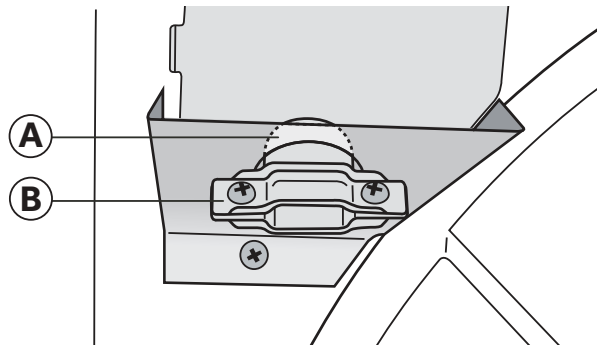
1. Quite el tornillo que asegura la cubierta de acceso del bloque de terminal, ubicada en la parte posterior de la esquina superior de la secadora.

- A** Cubierta de acceso del bloque de terminal
- B** Orificio en el soporte de montaje del protector de cables
- C** Tornillo de la cubierta de acceso



2. Inserte un protector de cables que esté en la lista de UL en el orificio del soporte de montaje. Coloque el protector de cables de modo que una lengüeta esté mirando hacia arriba y la otra mirando hacia abajo. Ajuste los tornillos del protector de cables sólo lo suficiente para mantener las dos mitades juntas.

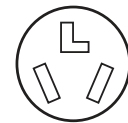
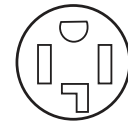
- Ⓐ Lengüeta
- Ⓑ Protector de cables



3. Inserte el cable eléctrico en el protector de cables. Asegúrese de que el aislamiento de cables del cable eléctrico esté dentro del protector de cables.
4. Conecte los alambres del cable eléctrico siguiendo la Parte A para la conexión del cable eléctrico de 4 hilos o la Parte B para la conexión del cable eléctrico de 3 hilos.

4 hilos (se recomienda) si su hogar tiene un receptáculo de 4 hilos (tipo NEMA 14-30, SRDT o ST):

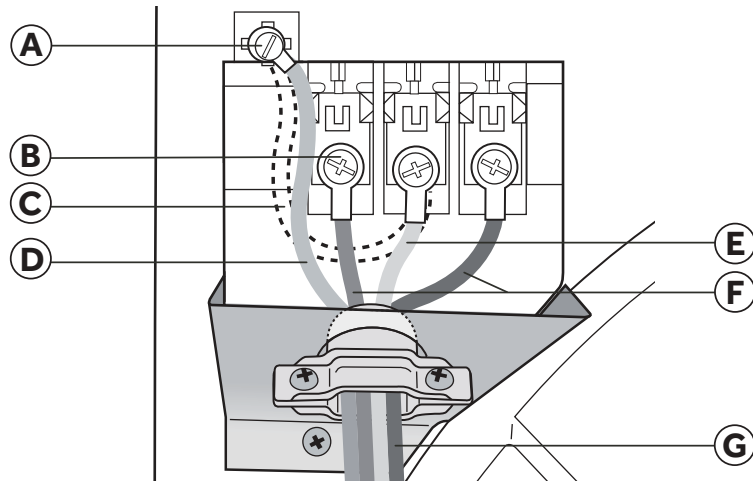
3 hilos (si no hay disponible un alambre de 4 hilos) si su hogar tiene un receptáculo de 3 hilos (tipo NEMA 10-30 SRDT):



CUIDADO: Deberá usarse un cable conductor de 4 hilos cuando el aparato esté instalado en una ubicación en la cual esté prohibida la conexión a tierra a través del conductor neutro. Está prohibido hacer la puesta a tierra a través del conductor neutro para (1) las nuevas instalaciones de circuito derivado, (2) casas rodantes, (3) vehículos de recreación y (4) áreas donde los códigos locales prohíben la conexión a tierra a través de conductores neutros.

5. Ajuste los tornillos del protector de cables.
6. Cerciórese de que ninguno de los cables toquen el tambor de la secadora en el interior del gabinete de la secadora.
7. Vuelva a colocar la cubierta del bloque de terminal.

PARTE A – CABLE ELÉCTRICO DE 4 HILOS

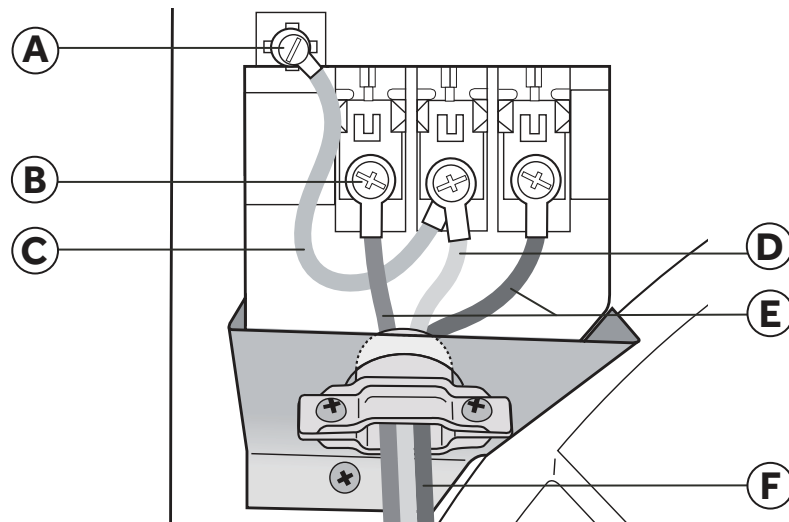


- A** Tornillo a tierra (verde)
- B** Tornillo del bloque de terminal
- C** Hilo de puente de conexión a neutro (verde)
- D** Hilo a tierra del cable eléctrico (verde)
- E** Hilo neutro del cable eléctrico (blanco)
- F** Hilos de la línea del cable eléctrico (uno rojo y uno negro)
- G** Cable eléctrico

- A1.** Quite el tornillo verde a tierra que conecta el hilo de puente de conexión a neutro (verde) al gabinete y el tornillo central del bloque de terminal; deseche el hilo de puente.
- A2.** Sujete el hilo a tierra del cable eléctrico (verde) al gabinete con el tornillo verde a tierra. Ajuste firmemente el tornillo.
- A3.** Sujete el hilo neutro del cable eléctrico (blanco) al tornillo central del bloque de terminal. Ajuste firmemente el tornillo.
- A4.** Sujete los 2 hilos restantes (rojo y negro) de la línea del cable eléctrico a los tornillos externos del bloque de terminal. Sujete un hilo a cada bloque de terminal, como se muestra. Ajuste firmemente ambos tornillos.

IMPORTANTE: No doble ni pliegue demasiado los hilos en las conexiones.

PARTE B – CABLE ELÉCTRICO DE 3 HILOS



- (A) Tornillo a tierra (verde)
- (B) Tornillo del bloque de terminal
- (C) Hilo de puente de conexión a neutro (blanco)
- (D) Hilo neutro del cable eléctrico (blanco)
- (E) Hilos de la línea del cable eléctrico (uno rojo y uno negro)
- (F) Cable eléctrico

B1. Sujete el hilo neutro del cable eléctrico (blanco) al tornillo central del bloque de terminal. Ajuste firmemente el tornillo.

B2. Sujete los 2 hilos restantes (rojo y negro) de la línea del cable eléctrico a los tornillos externos del bloque de terminal. Sujete un hilo a cada bloque de terminal, como se muestra. Ajuste firmemente ambos tornillos.

IMPORTANTE: No doble ni pliegue demasiado los hilos en las conexiones.

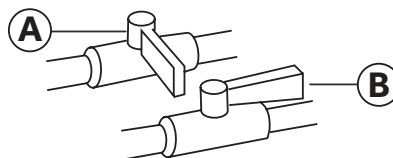
PASO 2 – CONECTE A UNA LÍNEA DE SUMINISTRO DE GAS (SOLAMENTE PARA LA SECADORA A GAS)

NOTA: No conecte la secadora a una línea de gas LP sin antes convertir la secadora con un juego de conversión. Un juego de conversión a gas LP deberá ser instalado por un técnico competente.

NOTA: Aplique un compuesto para uniones de tubería que sea resistente a la acción del gas LP a todas las roscas macho. No use cinta para plomería.

1. Cierre el suministro de gas moviendo la válvula de cierre hacia la posición cerrada.

- (A) Válvula cerrada
- (B) Válvula abierta

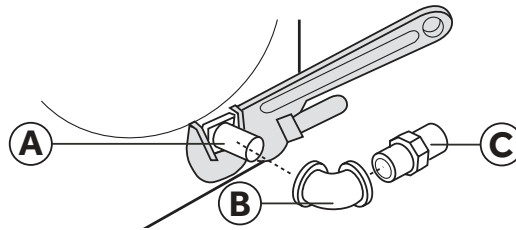


- 2.** Desconecte y deseche el conector flexible de gas viejo. Reemplácelo con un nuevo conector flexible de gas aprobado por CSA (AGA).
- 3.** Quite la cubierta de transporte del tubo de entrada de gas en la parte posterior de la secadora.

4. Conecte un codo NPT de $\frac{3}{8}$ " al tubo de entrada de gas en la secadora. Luego conecte un adaptador abocinado al codo.

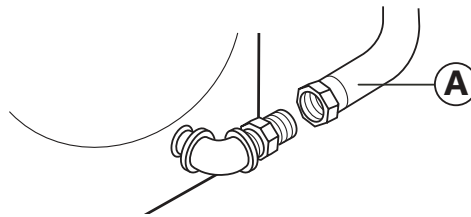
IMPORTANTE: Use una llave para tubos para evitar que se tuerza el tubo de entrada de gas de la secadora.

- (A) Tubo de entrada de gas en la secadora
- (B) Codo NPT de $\frac{3}{8}$ "
- (C) Adaptador abocinado NPT de $\frac{3}{8}$ "

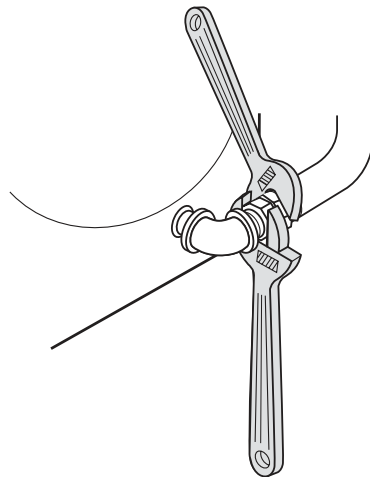


5. Conecte la secadora a la línea de suministro de gas con un conector flexible de gas.

- (A) Conector flexible de gas



6. Ajuste el conector flexible de gas con dos llaves ajustables.



7. Abra el suministro de gas moviendo la válvula de cierre hacia la posición abierta. La válvula está abierta cuando la manija está paralela al tubo de gas.
8. Revise todas las conexiones para ver si tienen fugas, aplicando una solución de detección de fugas que no sea corrosiva. Se observarán burbujas si hay fugas. Si se encuentran fugas, cierre la válvula de cierre, vuelva a ajustar la unión, abra la válvula de cierre y revise nuevamente.

⚠ ADVERTENCIA

Nunca use una llama abierta para revisar si hay fugas de gas.

PASO 3 – CONECTE A UN SISTEMA DE ESCAPE

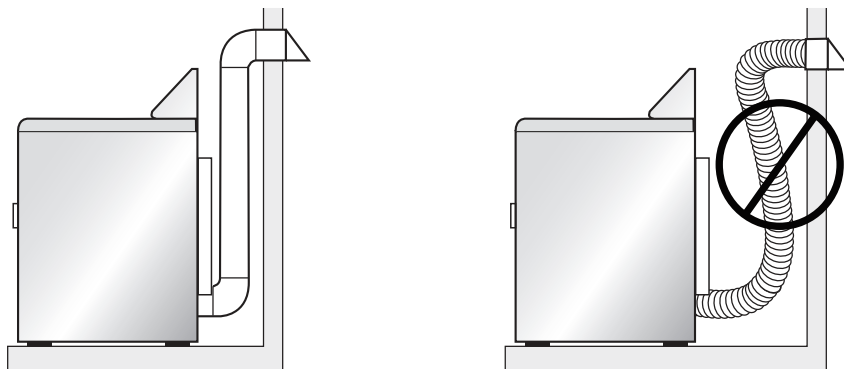
! ADVERTENCIA

Para reducir el riesgo de incendio, esta secadora debe ventilarse hacia el exterior.

1. Cerciórese de que el sistema de escape esté libre y despejado de acumulación de pelusa antes de conectar la secadora.
2. Use un ducto de metal rígido o flexible de 4" (102 mm) para conectar la salida de escape de la secadora al sistema de escape.
3. Utilice abrazaderas para sellar y asegurar todas las juntas. No debe conectarse ni asegurarse el ducto de escape con tornillos ni con ningún otro dispositivo de sujeción que se extienda hacia el interior de dicho ducto.

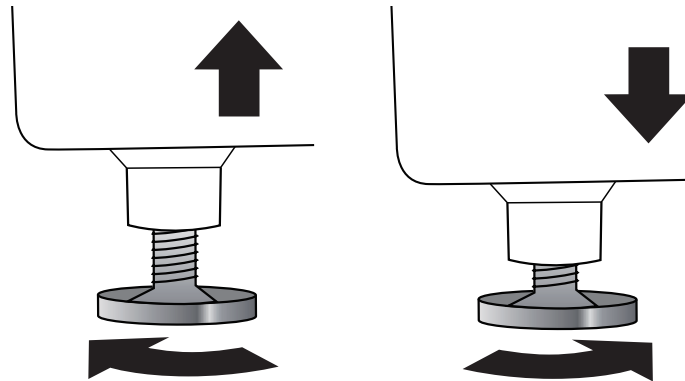
NOTAS:

- No utilice un ducto de escape de plástico ni de metal de hoja flexible. Es posible que se acumule exceso de pelusa dentro de la tubería, restringiendo el flujo de aire y creando un riesgo de incendio. La restricción en el flujo de aire aumentará el tiempo de secado.
- La secadora no debe tener salida de ventilación hacia una chimenea, pared, techo, desván, espacio angosto o espacio oculto de un edificio.
- La secadora deberá tener salida de ventilación al exterior. Si la secadora no tiene salida de ventilación al exterior, expulsará un poco de pelusa fina dentro del área del lavadero. Una acumulación de pelusa en cualquier área del hogar puede ocasionar un peligro para la salud y un riesgo de incendio.



PASO 4 – NIVELE LA SECADORA

1. Coloque la secadora en su ubicación final. Tenga cuidado de no aplastar ni retorcer el ducto de escape. Cerciérese de que las cuatro patas estén en contacto firme con el piso y que la secadora descansa firmemente en su sitio.
NOTA: Para una secadora a gas, cerciérese de que la línea de gas flexible no esté retorcida.
2. Con un nivel de carpintero, cerciérese de que la secadora esté nivelada de lado a lado y de frente hacia atrás.
3. Si la secadora no está nivelada, regule las patas niveladoras. Gírelas hacia la derecha para extender (levantar la secadora) o hacia la izquierda para retraer (bajar la secadora).



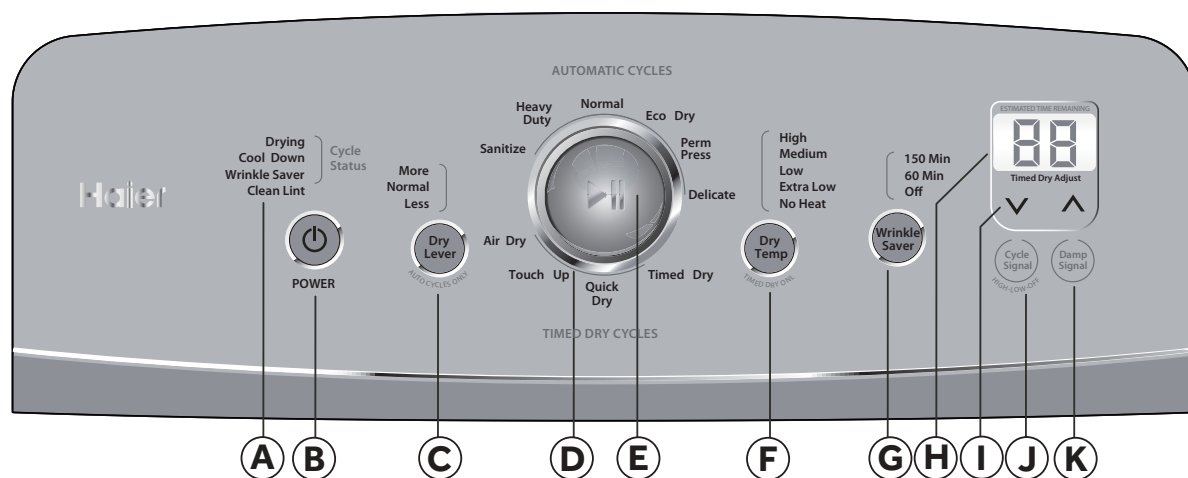
PASO 5 – COMPLETE LA INSTALACIÓN

1. Enchufe el cable eléctrico de la secadora en el contacto apropiado.
2. Vuelva a conectar la energía al contacto. Asegúrese de que el cortacircuitos esté activado.
3. Deshágase de todos los materiales de empaque o recíclelos.
4. Cerciérese de que el área de la secadora esté limpia y sin materiales combustibles, gasolina y otros vapores inflamables. También asegúrese de que ningún objeto (por ejemplo, cajas, ropa, etc.) obstruya el flujo de aire para la combustión y la ventilación a través del panel con rejillas ubicado en la parte posterior de la secadora.
5. Pruebe el funcionamiento de la secadora seleccionando un ciclo de Timed Dry (Secado programado) con calor. Consulte la sección "Instrucciones para el funcionamiento".

NOTA: En las secadoras a gas, antes de que se encienda el quemador, será necesario extraer el aire de la línea de gas. Si el quemador no se enciende en menos de 45 segundos cuando se encienda la secadora por primera vez, el interruptor de seguridad apagará el quemador. Si esto sucede, apague (girando hacia "OFF") la secadora y espere 5 minutos antes de hacer otro intento de encender el quemador.

PANEL DE CONTROL Y CARACTERÍSTICAS

PANEL DE CONTROL



A INDICADORES DEL ESTADO DEL CICLO

- Cuando se haya puesto en marcha la secadora por primera vez, las luces de Cycle Status (Estado del ciclo) indicarán las etapas del ciclo seleccionado.
- Cuando la secadora está en funcionamiento, destella la luz de la etapa activa. A medida que se completa cada etapa, la luz se apagará y comenzará a destellar la etapa siguiente.
- El ciclo de secado se ha terminado por completo cuando se apaguen todas las luces.
- El indicador Clean Lint (Limpiar filtro de pelusa) destellará cuando se enciende la secadora para recordarle que tiene que limpiar el filtro de pelusa. Se apagará cuando comience un ciclo seco.

B BOTÓN POWER (ENCENDIDO)

- Use este botón para encender y apagar la secadora.
NOTA: Si la secadora está encendida, pero no se ha puesto en marcha, se apagará automáticamente después de 5 minutos.

C BOTÓN DRY LEVEL (NIVEL DE SECADO)

- Use este botón para ajustar el nivel de secado de los programas de ciclo automático.
NOTA: Este botón sólo funciona con ciclos automáticos.

D PERILLA DE SELECCIÓN DE CICLOS

- Hay 6 ciclos automáticos para elegir:
 - Sanitize (Higienizar):** Use este ciclo para ayudar a higienizar prendas tales como toallas, ropa de cama y ropa de los niños. Es conveniente ejecutar este ciclo hasta completarse.
 - Heavy Duty (Intenso):** Use este ciclo para el calor a alta temperatura con telas pesadas como toallas y pantalones de mezclilla.
 - Normal -** Use este ciclo para calor a temperatura media con prendas de algodón y lino.
 - Eco Dry (Secado ecológico):** Use este ciclo para ahorrar energía. Este programa es similar al Normal, pero emplea una temperatura levemente inferior y seca a un nivel de secado levemente inferior.
 - Perm Press (Planchado permanente):** Use este ciclo para calor a baja temperatura con telas que no desee que se arruguen.
 - Delicate (Delicado):** Use este ciclo para calor muy bajo para secar prendas delicadas.
- Hay 4 ciclos de secado programado para elegir:
 - Timed Dry (Secado programado):** Use este ciclo para hacer funcionar la secadora durante una cantidad de tiempo específica. Las prendas pueden quedar húmedas o demasiado secas al final del ciclo.
 - Quick Dry (Secado rápido):** Use este ciclo para seleccionar con facilidad un ciclo de 20 minutos para secar rápidamente algunas prendas.
 - Touch Up (Retoque):** Use este ciclo para seleccionar con facilidad un ciclo de 10 minutos para refrescar las prendas limpias.
 - Air Dry (Secado al aire):** Use este ciclo para secar espuma, goma, plástico o telas sensibles al calor.

E BOTÓN START/PAUSE (INICIO/PAUSA)

- Presione este botón para poner en marcha un ciclo seleccionado o hacer una pausa en un ciclo que esté en marcha.
 - NOTA:** Después de iniciar el ciclo de secado, debe hacer una pausa en la secadora si desea cambiar alguna de las opciones.
 - NOTA:** La apertura de la puerta de la secadora también hará una pausa en el ciclo que esté en marcha.
 - NOTA:** Si el estado del ciclo es Wrinkle Saver (Antiarrugas), al presionar el botón de pausa o abrir la puerta de la secadora, se cancelará el ciclo que esté en marcha y la secadora se apagará completamente.

F BOTÓN DRY TEMP (TEMPERATURA DE SECADO)

- Utilice este botón para seleccionar una temperatura de secado. Para obtener mejores resultados, siga las instrucciones de la etiqueta de las prendas y use la temperatura más caliente que la tela pueda resistir.
 - NOTA:** Este botón sólo funciona con ciclos de secado programado. El ajuste No Heat (Sin calor) no está disponible cuando utiliza un ciclo automático.

ⓐ BOTÓN WRINKLE SAVER (ANTIARRUGAS)

- Al final del ciclo de enfriamiento, la secadora dará vueltas la carga durante 1 hora para evitar que se formen arrugas en las prendas. Utilice este botón para extender la función durante 150 minutos o para apagar la función Wrinkle Saver (Antiarrugas).

ⓑ PANTALLA DE TIEMPO ESTIMADO RESTANTE

- Esta pantalla muestra el tiempo total estimado de un ciclo de secado en minutos. Cuando la secadora está en funcionamiento, la pantalla hará la cuenta regresiva en minutos para mostrar el tiempo restante.
- Si la secadora detecta un mal funcionamiento, se mostrará un código de error en la pantalla. Consulte la sección "Solución de problemas" para obtener una lista de códigos de error y sus posibles causas y soluciones.

ⓒ BOTONES TIMED DRY ADJUST (AJUSTE DE SECADO PROGRAMADO)

- Use estos botones para ajustar la duración de un ciclo de secado programado. El tiempo se puede ajustar de 10 a 95 minutos en incrementos de 5 minutos.
NOTA: Si el estado del ciclo es Cool Down (ciclo de enfriamiento), no se puede ajustar el tiempo.

ⓓ BOTÓN CYCLE SIGNAL (SEÑAL DE CICLO)

- Use este botón para ajustar el volumen de los sonidos del panel de control y la señal de fin de ciclo.

ⓔ BOTÓN DAMP SIGNAL (SEÑAL DE HÚMEDO)

- Use este botón para seleccionar o anular la selección del botón Damp Signal (Señal de húmedo). Esta función le alertará cuando su ropa esté aproximadamente 80% seca. Esto es útil cuando desea quitar artículos parcialmente secos que quisiera planchar. Además le permite desenredar y redistribuir los artículos grandes y voluminosos antes de finalizar el ciclo.
NOTA: Aunque la señal del ciclo esté apagada, la señal de húmedo sonará.

GUÍA DE CICLOS

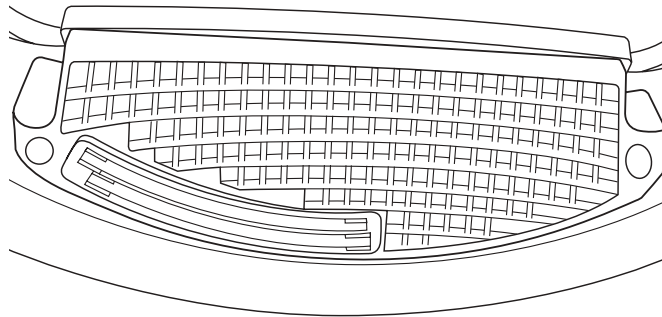
NOTA: Para proteger sus prendas, no todas las opciones y los ajustes están disponibles con todos los ciclos. Las cajas sombreadas indican los ajustes por defecto para cada ciclo.

CICLO	TIPO DE TELA	DURACIÓN EST.	TEMPERATURA DE SECADO	NIVEL DE SECADO	OPTIONS (Opciones)
Sanitize (Higienizar)	Toallas, ropa de cama, ropa para niños	70	High (Alta)	More (Más)	Wrinkle Saver (Antiarrugas) Damp Signal (Señal de húmedo)
Heavy Duty (Intenso)	Artículos pesados como toallas y pantalones de mezclilla	60	High (Alta)	More (Más)	Wrinkle Saver (Antiarrugas) Damp Signal (Señal de húmedo)
				Normal Less (Menos)	
Normal	Telas de algodón, lino y prendas mezcladas	52	Medium (Media)	More (Más)	Wrinkle Saver (Antiarrugas) Damp Signal (Señal de húmedo)
				Normal Less (Menos)	
Eco Dry (Secado ecológico)	Telas de algodón, lino y prendas mezcladas	40	Medium (Media)	Normal	Wrinkle Saver (Antiarrugas) Damp Signal (Señal de húmedo)
				More (Más) Less (Menos)	
Perm Press (Planchado permanente)	Mezclas de algodón y poliéster, camisas y pantalones antiarrugas	35	Low (Baja)	Normal	Wrinkle Saver (Antiarrugas) Damp Signal (Señal de húmedo)
				More (Más) Less (Menos)	
Delicate (Ropa delicada)	Lencería, blusas y fibras sintéticas	28	Extra Low (Extra baja)	Normal	Wrinkle Saver (Antiarrugas) Damp Signal (Señal de húmedo)
				More (Más) Less (Menos)	
Timed Dry (Secado programado)	Telas de algodón, lino y prendas mezcladas	40 Ajustable (10 a 95)	Medium (Media)	N/A	Wrinkle Saver (Antiarrugas)
			High (Alta) Low (Baja) Extra Low (Extra baja) No Heat (Sin calor)		
Quick Dry (Secado rápido)	Cargas pequeñas y ropa deportiva	20 Ajustable (10 a 95)	Medium (Media)	N/A	N/A
			High (Alta) Low (Baja) Extra Low (Extra baja) No Heat (Sin calor)		
Touch Up (Retoque)	Telas de algodón, lino y prendas mezcladas	10 Ajustable (10 a 95)	Medium (Media)	N/A	N/A
			High (Alta) Low (Baja) Extra Low (Extra baja) No Heat (Sin calor)		
Air Dry (Secado al aire)	Goma, plástico y telas sensibles al calor	40 Ajustable (10 a 95)	No Heat (Sin calor)	N/A	N/A

CARACTERÍSTICAS

SENSOR DE SEQUEDAD DE HUMEDAD

- El sensor de humedad permite a la secadora detectar el contenido real de humedad de las prendas en la carga. Los ciclos automáticos utilizan esta información junto con las lecturas de temperatura de aire para completar el ciclo de secado en el momento apropiado. Esta tecnología inteligente ahorra energía, reduce la estática y protege a las prendas de daños ocasionados por el secado en exceso.
- El sensor además proporciona resultados de secado uniformes y precisos y le permite realizar un ajuste fino del rendimiento de la secadora con el botón Dry Level (Nivel de secado).



LUZ INTERNA DEL TAMBOR

- La luz interna del tambor le permite ver dentro de la secadora y encontrar todos los artículos de lavado. El interruptor del gabinete enciende automáticamente la luz cuando se abre la puerta y se apaga cuando ésta se cierra.
- Para obtener instrucciones detalladas acerca del cambio de la bombilla, consulte la Guía para el cuidado y la limpieza.

INSTRUCCIONES PARA EL FUNCIONAMIENTO

⚠ ADVERTENCIA

A fin de reducir el riesgo de incendio, choque eléctrico o daños personales, lea las INSTRUCCIONES IMPORTANTES DE SEGURIDAD antes de operar esta secadora.

PASO 1 – PREPARE Y SEPARE LAS PRENDAS

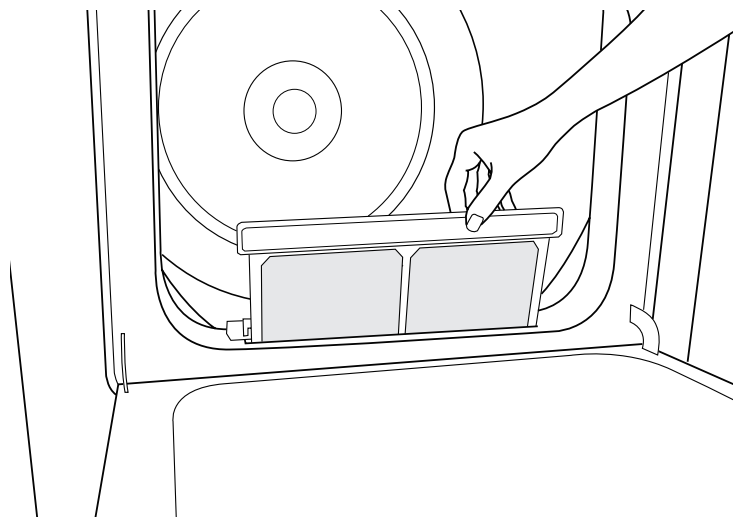
- Revise las etiquetas de las prendas para ver las instrucciones de secado.
- Siempre que sea posible, dé vuelta los bolsillos para obtener un secado uniforme.
- Ate los cordones y las fajas de modo que no se enreden.
- Cierre los zípers, broches de presión y corchetes para evitar que se enganchen.
- Cerciórese de que los botones y los adornos en las prendas sean resistentes a temperaturas elevadas y que no dañen la superficie del tambor.
- Para evitar que las manchas y la suciedad queden permanentemente en las prendas, cerciórese de que se hayan quitado durante el ciclo de lavado. De no ser así, lávelas de nuevo.
- Para evitar que las prendas se enreden y se puedan sacar con facilidad, los artículos pequeños deberán ponerse juntos en una bolsa de malla antes de ponerse a lavar.
- Separe las telas que atraen pelusa de las telas que sueltan pelusa. Las prendas propensas a formar pelusa deberán darse vuelta de adentro hacia fuera antes de colocarse en la secadora.

PASO 2 – LIMPIE EL FILTRO DE PELUSA

1. Limpie el filtro de pelusa antes de cada uso. El filtro puede quitarse jalando la manija del filtro de pelusa, que está ubicada dentro de la puerta de la secadora.
2. Enrolle con los dedos la pelusa acumulada para quitarla del filtro de pelusa. No enjuague ni lave el filtro para quitar la pelusa.
3. Deslice el filtro de pelusa de nuevo a su lugar.

NOTAS:

- No use la secadora sin el filtro de pelusa en su lugar. Sin el filtro de pelusa, las prendas podrían entrar en el sistema de escape y provocar daños en la secadora.
- La pelusa acumulada en el filtro hará que se restrinja el flujo de aire y ocasionará tiempos de secado más prolongados.



PASO 3 – CARGUE LA SECADORA

1. Cargue las prendas húmedas holgadamente en el tambor de la secadora.
2. Cierre la puerta de la secadora.

NOTAS:

- No ponga las prendas apretadas en la secadora.
- Una carga adecuada deberá tener 1/3 a 1/2 del volumen del tambor. Para obtener un secado uniforme y sin que se formen arrugas, deje espacio para que las prendas giren libremente.
- Cuando seque artículos grandes y voluminosos, deberá cargar solamente 2 a 3 piezas cada vez, junto con unas pocas prendas de tamaño pequeño y mediano.
- Para la ropa delicada o las cargas pequeñas, si agrega un par de toallas ayudará a asegurar que las prendas giren. Con esto se obtendrá un secado uniforme y se reducirán las arrugas.

PASO 4 – PONGA LA SECADORA EN MARCHA

1. Encienda la secadora presionando el BOTÓN POWER (Encendido).
2. Seleccione un ciclo de secado girando la PERILLA CYCLE SELECTION (Selección de ciclos).
3. Modifique los ajustes y las opciones por defecto, si lo desea.
4. Presione el BOTÓN START/PAUSE (Inicio/Pausa) que sobresale en la perilla para poner la secadora en marcha.

NOTA:

- Si se abre la puerta, se hará una pausa en el ciclo que esté en marcha. Cierre la puerta y presione el BOTÓN START/PAUSE (Inicio/Pausa) para reanudar.

! ADVERTENCIA

Siempre desenchufe la secadora para evitar un choque eléctrico antes de la limpieza.

El ignorar esta advertencia puede ocasionar la muerte o lesiones.

Antes de usar productos de limpieza, siempre lea y siga las instrucciones del fabricante y las advertencias, para evitar lesiones personales o al producto.

LIMPIEZA Y MANTENIMIENTO

- Utilice solamente un paño húmedo o jabonoso para limpiar el panel de control.
- Si derrama suavizante, blanqueador o detergente líquido o en polvo sobre el gabinete, límpielo inmediatamente con un paño húmedo para evitar daños en el acabado.
- No use productos de limpieza abrasivos, productos químicos irritantes, amoníaco, blanqueador con cloro, detergente concentrado o solventes para limpiar la secadora. Estos productos químicos pueden disolver, dañar o decolorar la secadora.
- No use ningún tipo de limpiador con rociador cuando limpie el interior de la secadora. Pueden producirse gases peligrosos o choque eléctrico. Si se mancha la secadora, límpiela con un paño húmedo. Quite los residuos que hayan quedado antes de secar la próxima carga.

LAVADO DEL FILTRO DE PELUSA

- Los residuos de detergente y suavizante de telas pueden acumularse en el filtro de pelusa. Esta acumulación puede dar lugar a períodos más prolongados de secado, o hacer que la secadora se detenga antes de que la ropa esté completamente seca.
- Lave el filtro de pelusa cada 6 meses o antes si se obstruye debido a la acumulación de residuos.

Pasos para lavar el filtro de pelusa:

1. Quite la acumulación normal de pelusa con los dedos.
2. Moje ambos lados del filtro de pelusa con agua caliente.
3. Aplique detergente líquido con agua y refriegue con un cepillo de plástico.
4. Enjuague a fondo el filtro de pelusa con agua caliente.
5. Seque por completo el filtro de pelusa antes de volver a instalarlo y de usar la secadora.

ELIMINACIÓN DE PELUSA ACUMULADA

En el interior del gabinete de la secadora

- Según el uso de la secadora, se debe quitar la pelusa cada 2 años o con más frecuencia. La limpieza deberá efectuarla una persona calificada.

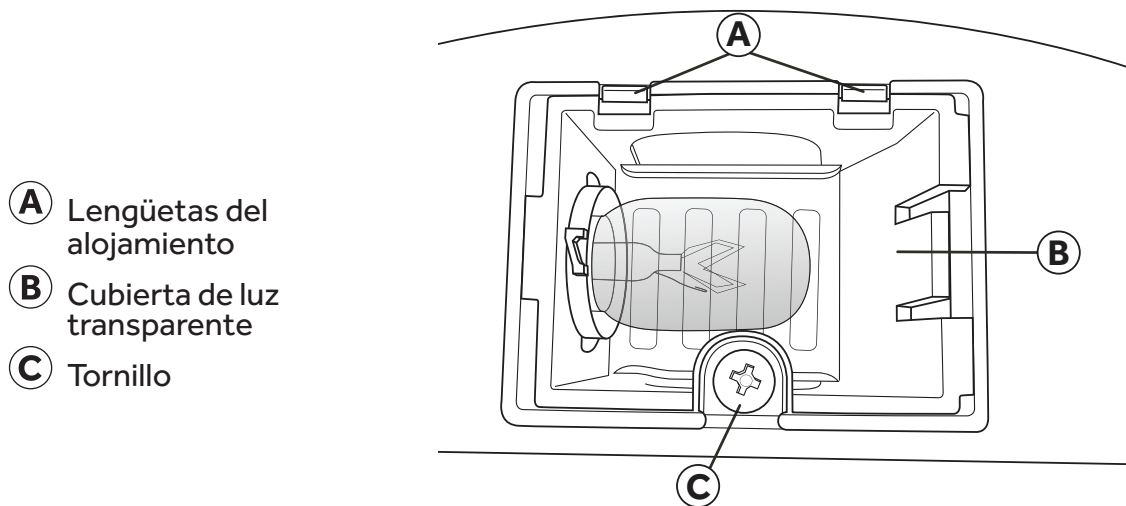
El sistema de escape

- El sistema de escape deberá ser inspeccionado y limpiado por lo menos cada 12 meses con el uso normal. Cuanto más se use la secadora, con más frecuencia deberá revisar el sistema de escape y la capota de ventilación exterior para un funcionamiento adecuado.

CAMBIO DE LA BOMBILLA INTERNA DEL TAMBOR

La secadora está equipada con una luz LED que se encuentra dentro del tambor arriba de la abertura de la puerta. Esta luz se diseñó para que dure a lo largo de la vida útil de la secadora; sin embargo, si dejara de funcionar, póngase en contacto con un técnico certificado para su reemplazo. Reemplace **SOLAMENTE** con una bombilla LED para electrodomésticos de 1 W, forma T7, base intermedia (E17) y de 120 voltios.

1. Desenchufe la secadora o desconecte el suministro de energía.
2. Abra la puerta de la secadora. La luz está ubicada dentro del tambor sobre la apertura de la puerta.
3. Con un destornillador Phillips, quite el tornillo de la cubierta de luz transparente.



4. Para quitar la cubierta de luz transparente, gírela hacia adelante y levántela de las lengüetas del alojamiento.
5. Gire la bombilla a la izquierda para desenroscarla.
6. Reemplace la bombilla **SOLAMENTE** con una bombilla LED para electrodomésticos de 1 W, forma T7, base intermedia (E17) y de 120 voltios.
7. Vuelva a colocar la cubierta de luz transparente y ajústela con el tornillo.
8. Reconecte el suministro de energía o enchufe la secadora.

PRECAUCIONES AL IRSE DE VACACIONES

- Desenchufe la secadora del contacto eléctrico o desconecte el suministro de energía.
- Lave el filtro de pelusa. Consulte la sección "Lavado del filtro de pelusa".
- (Solamente para las secadoras a gas): Cierre la válvula de cierre en la línea de suministro de gas.

PREPARACIÓN PARA LA MUDANZA O EL ALMACENAJE

Aparte de seguir los pasos en las "Precauciones al irse de vacaciones", complete los pasos adicionales indicados a continuación.

- Desconecte la secadora del sistema de escape.
- Gire las patas niveladoras para que queden replegadas completamente en el interior del gabinete de la secadora.
- Use cinta adhesiva protectora para asegurar la puerta de la secadora.
- Mueva la secadora y guárdela solamente en la posición vertical.

NOTA: Para las secadoras a gas, cierre el suministro de gas a la secadora. Desconecte la secadora de la línea de suministro de gas y quite los accesorios que están sujetos al tubo de entrada de gas de la secadora. Tape la línea de suministro de gas.

SOLUCIÓN DE PROBLEMAS

CÓDIGOS DE ERROR

Cuando la secadora detecta un error, se detienen todas las operaciones de la máquina, se emite un sonido 4 veces seguidas y se muestra un código de error en la pantalla Estimated Time Remaining (Tiempo estimado restante).

CÓDIGO DE ERROR	DESCRIPCIÓN	CAUSA POSIBLE Y SOLUCIÓN
F3 (Cortocircuito)	La secadora ha detectado un problema eléctrico que requiere la intervención de un técnico de servicio certificado.	Llame para solicitar servicio técnico.
F4 (Problema con el elemento calefactor)	La secadora eléctrica ha detectado un problema con el elemento calefactor que requiere la intervención de un técnico de servicio certificado.	Llame para solicitar servicio técnico.
	La secadora a gas ha detectado un problema con el quemador.	Verifique que la válvula de cierre de gas esté abierta. Si la válvula está abierta, solicite servicio.
E6 (Problema del flujo de aire)	La secadora ha detectado que el aire no fluye.	Asegúrese de que el filtro de pelusa esté limpio. Verifique la presencia de un bloqueo evidente en el sistema de escape. Si el error continúa, llame para solicitar servicio técnico.

SONIDOS NORMALES DE FUNCIONAMIENTO

- Los sonidos mencionados a continuación son los sonidos normales producidos durante el funcionamiento de la secadora.
- Sonido de rotación: Esto es normal, ya que la ropa pesada y húmeda está dando vueltas continuamente en la secadora.
- Ruido de aire que corre: Esto sucede cuando el tambor de la secadora gira y el aire fluye rápidamente a través del tambor de la secadora.

LA SECADORA NO FUNCIONA

- Verifique que la secadora esté enchufada. Es posible que se haya aflojado el enchufe.
- Verifique que el receptáculo eléctrico de pared tenga el voltaje correcto. Las secadoras eléctricas requieren un suministro eléctrico de 240 voltios.
- Verifique si el cortacircuitos necesita volver a fijarse o si debe reemplazarse el fusible.
- Verifique que la puerta de la secadora esté firmemente cerrada.

LAS PRENDAS NO SE SECAN

- Es posible que la secadora esté sobrecargada. Las prendas húmedas no deberán ocupar más de la mitad del volumen del tambor.
- Revise la tubería de escape y la capota de ventilación. El sistema de escape deberá estar completamente libre de obstrucciones.
- El sistema de escape deberá mantenerse y limpiarse regularmente.
- Tal vez deba separarse la carga de secado. Las prendas pesadas deberán separarse de las prendas ligeras.
- Tal vez deban cambiarse de posición los artículos voluminosos.
- Revise el filtro de pelusa. El filtro de pelusa debe ser limpiado antes de cada carga.
- Verifique que no se haya fijado la secadora en el ajuste de temperatura Air Fluff (Esponjar) (sin calor).
- Para las secadoras a gas, verifique que esté abierta la línea de suministro de gas.

LA SECADORA HACE RUIDO

Ruidos de traqueteo o metálicos:

- Es posible que hayan objetos extraños en el tambor de la secadora. Detenga la secadora y revise si hay objetos extraños, tales como monedas sueltas, llaves y objetos pesados.

Ruidos de vibración:

- Es posible que la carga esté despareja. Detenga la secadora y vuelva a arreglar la carga.
- Es posible que la secadora no esté nivelada. Verifique que las cuatro patas niveladoras estén firmemente en el piso y que la secadora esté nivelada.
- Consulte la sección "Sonidos normales de funcionamiento".

Estática:

- Es causada por el exceso de secado. Regule el tiempo de secado a una duración más corta y use suavizante de telas o una hoja de suavizante para secadora.

Las cargas están arrugadas:

- Es posible que se haya dejado la carga en la secadora por un tiempo demasiado prolongado al final del ciclo. Asegúrese de quitar la ropa a tiempo después de que se termine el secado.
- Es posible que la secadora esté sobrecargada. El tambor de la secadora deberá estar como máximo lleno hasta la mitad.

Olores:

- Las prendas que se dejen húmedas en la lavadora o en la secadora pueden hacer que se forme olor. Este olor no será eliminado con el secado. Vuelva a lavar las prendas antes de secarlas.
- Es posible que el elemento calefactor eléctrico emita un olor cuando se use la secadora por primera vez. El olor desaparecerá después del primer ciclo.

GARANTÍA LIMITADA

SERVICIO EN EL HOGAR

GARANTÍA COMPLETA POR UN AÑO

Durante 12 meses a partir de la fecha de compra original en la tienda, Haier reparará o reemplazará cualquier pieza del aparato sin costo, incluyendo la mano de obra, si la misma falla debido a defectos en los materiales o en la mano de obra.

GARANTÍA LIMITADA

Después de un año a partir de la fecha de compra original en la tienda, Haier proveerá una pieza sin costo, como se indica a continuación, para reemplazar la pieza mencionada como resultado de defectos en los materiales o en la mano de obra. Haier se hará responsable solamente por el costo de la pieza. Cualquier otro costo tales como la mano de obra, los cargos por viaje, etc., serán responsabilidad del propietario.

Del segundo al quinto año

Haier proveerá todas las piezas de repuesto si tienen defectos en los materiales o la mano de obra.

NOTA: Esta garantía comienza en la fecha de compra de este producto, y el recibo original deberá presentarse al representante autorizado de servicio antes de hacerse las reparaciones bajo la garantía.

Excepciones: Garantía bajo uso comercial o de alquiler

90 días en la mano de obra a partir de la fecha de compra original

90 días en las piezas a partir de la fecha de compra original

No es aplicable ninguna otra garantía.

PARA OBTENER SERVICIO BAJO LA GARANTÍA

Póngase en contacto con el centro de servicio autorizado más cercano a su localidad. Todo servicio deberá ser realizado por un centro de servicio autorizado por Haier. Para obtener el nombre y el número de teléfono del centro de servicio autorizado más cercano, llame al 1-877-337-3639.

Antes de llamar, tenga a mano la siguiente información:

Número de modelo y de serie del aparato. El nombre y la dirección del distribuidor en donde compró la unidad y la fecha de compra.

Una descripción clara del problema.

Un comprobante de compra (recibo de compra).

Esta garantía cubre servicios para electrodomésticos dentro de los Estados Unidos continental y Canadá y donde esté disponible en Alaska, Hawaii y Puerto Rico.

Lo que no está cubierto bajo esta garantía:

Reemplazo o reparación de fusibles domésticos, cortacircuitos, cableado o plomería.

Un producto cuyo número de serie original haya sido removido o alterado.

Cualquier cargo por servicio que no haya sido identificado específicamente como servicio normal, como puede ser el área o las horas de servicio.

Daños a la ropa.

Daños ocurridos durante el transporte.

Daños ocasionados por la instalación o el mantenimiento inadecuados.

Daños por el uso incorrecto, abuso, accidente, incendio, inundación o fenómenos de la naturaleza.

Daños debidos al servicio efectuado por un distribuidor o centro de servicio que sea diferente del autorizado por Haier.

Daños ocasionados por la corriente, el voltaje o el suministro eléctrico incorrectos.

Daños que resulten de cualquier modificación hecha en el producto, alteración o ajustes no autorizados por Haier.

Ajuste de los controles manejados por el cliente según han sido identificados en el manual del propietario.

Mangueras, perillas, bandejas de pelusa y todos los otros aditamentos, accesorios y piezas desechables.

Cargos por mano de obra, transporte para el servicio y envío para la remoción y el reemplazo de las piezas defectuosas que se efectúen después del período inicial de 12 meses.

Daños ocasionados por un uso diferente al doméstico normal.

Cualquier gasto de transporte y de envío.

ESTA GARANTÍA LIMITADA REEMPLAZA TODAS LAS OTRAS GARANTÍAS, EXPRESAS O QUE INCLUYAN LAS GARANTÍAS DE COMERCIABILIDAD O DE CAPACIDAD PARA UN PROPÓSITO EN PARTICULAR

El recurso provisto en esta garantía es exclusivo y está otorgado en lugar de cualquier otro recurso.

Esta garantía no cubre daños incidentales o consecuentes, de modo que las limitaciones indicadas anteriormente pueden no aplicarse en su caso. Algunos estados no permiten las limitaciones acerca de cuánto tiempo dura una garantía implícita, de modo que las limitaciones arriba indicadas quizás no le correspondan.

Esta garantía le otorga derechos legales específicos, y es posible que usted tenga otros derechos, los cuales varían de un estado a otro.

Haier America
Wayne, NJ 07470

IMPORTANT

Do Not Return This Product To The Store

If you have a problem with this product, please contact the
"Haier Customer Satisfaction Center" at

1-877-337-3639.

DATED PROOF OF PURCHASE, MODEL #, AND SERIAL #
REQUIRED FOR WARRANTY SERVICE

IMPORTANT

Ne pas Réexpédier ce Produit au Magasin

Pour tout problème concernant ce produit, veuillez contacter
le service des consommateurs 'Haier Customer Satisfaction Center' au

1-877-337-3639.

UNE PREUVE D'ACHAT DATEE EST REQUISE POUR BENEFICIER DE LA GARANTIE.

IMPORTANTE

No regrese este producto a la tienda

Si tiene algún problema con este producto, por favor contacte el
"Centro de Servicio al Consumidor de Haier" al

1-877-337-3639 (Válido solo en E.U.A).

NECESITA UNA PRUEBA DE DE COMPRA FECHADA, NÚMERO DE MODELO
Y DE SERIE PARA EL SERVICIO DE LA GARANTÍA

Made in China
Fabriqué en Chine
Hecho en China

Haier

Haier America
Wayne, NJ 07470

HLTD500AEW/HLTD500AGW
HLTD500ACW
Issued: January 2015

Printed in China

Part # 0180800442A