

Haier

User Manual
Manuel d'utilisation
Manual para el usuario
HLTD600AEW
HLTD600ACW
HLTD600AGW

Gas and Electric Clothes Dryers

Sécheuses électriques et à gaz

Secadoras de ropa a gas y eléctricas

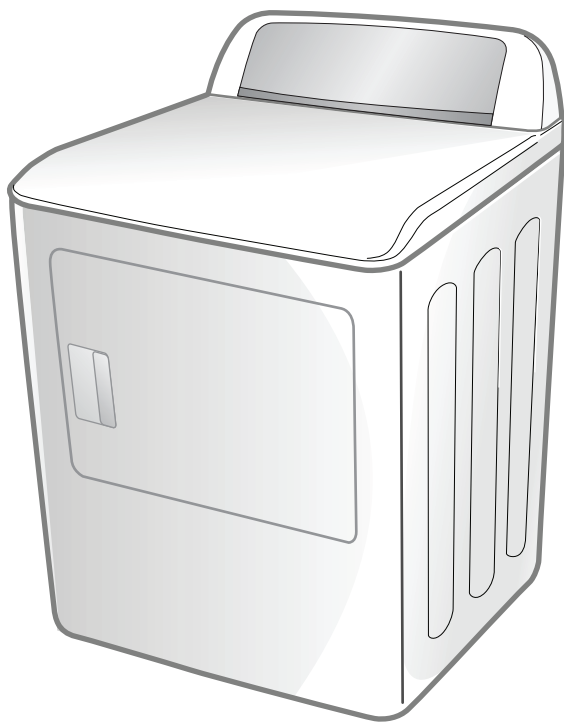


TABLE OF CONTENTS

IMPORTANT SAFETY INSTRUCTIONS	2
Gas Dryer Precautions	4
General Safety Precautions	5
PARTS AND FEATURES	6
INSTALLATION INSTRUCTIONS	7
Tools Needed	7
Additional Parts Required.....	8
Location Requirements.....	8
Electrical & Gas Supply Requirements.....	10
Gas Supply Connection Requirements.....	12
Burner Input Requirements.....	13
Exhaust System Requirements.....	13
Mobile Home - Additional Requirements	15
STEP BY STEP INSTRUCTIONS.....	16
Step 1 - Unpack the Dryer.....	16
Step 2 - Attach a Power Cord to the Dryer (Electric Dryer - U.S. Only)	16
Step 2 - Connect to a Gas Supply Line (Gas Dryer Only)	19
Step 3 - Connect to an Exhaust System.....	20
Step 4 - Level the Dryer	21
Step 5 - Complete the Installation.....	21
Step 6 - Door Reversal (Optional)	22
CONTROL PANEL AND FEATURES	23
OPERATING INSTRUCTIONS.....	27
Step 1 - Prepare and Sort Laundry	27
Step 2 - Clean the Lint Screen	27
Step 3 - Load the Dryer	27
Step 4 - Start the Dryer	28
USER MAINTENANCE INSTRUCTIONS.....	29
Cleaning and Maintenance	29
Washing the Lint Screen.....	29
Removing Accumulated Lint.....	30
Vacationing Precautions	30
Moving or Storage Preparation	30
TROUBLESHOOTING	31
LIMITED WARRANTY	33

RECORD KEEPING

Thank you for purchasing this Haier product. This user manual will help you get the best performance from your new dryer.

For future reference, record the model and serial number located on back of the dryer, and the date of purchase.

Staple your proof of purchase to this manual to aid in obtaining warranty service if needed.

Model number

Serial number

Date of purchase

IMPORTANT SAFETY INSTRUCTIONS

Your safety and the safety of others are very important.

We have provided many important safety messages in this manual and on your appliance. Always read and obey all safety messages.



This is the safety alert symbol.

This symbol alerts you to potential hazards that can kill or hurt you and others. All safety messages will follow the safety alert symbol and either the word "DANGER," "WARNING" or "CAUTION."

These words mean:

⚠ DANGER

An imminently hazardous situation. You could be killed or seriously injured if you don't immediately follow instructions.

⚠ WARNING

A potentially hazardous situation which, if not avoided, could result in death or serious bodily injury.

⚠ CAUTION

A potentially hazardous situation which, if not avoided, may result in moderate or minor injury.

All safety messages will tell you what the potential hazard is, tell you how to reduce the chance of injury, and tell you what can happen if the instructions are not followed.

WARNING: For your safety, the information in this manual must be followed to minimize the risk of fire or explosion, or to prevent property damage, personal injury, or death.

-Do not store or use gasoline or other flammable vapors and liquids in the vicinity of this or any other appliance.

-WHAT TO DO IF YOU SMELL GAS:

- **Do not try to light any appliance.**
- **Do not touch any electrical switch; do not use any phone in your building.**
- **Clear the room, building, or area of all occupants.**
- **Immediately call your gas supplier from a neighbor's phone. Follow the gas supplier's instructions.**
- **If you cannot reach your gas supplier, call the fire department.**

-Installation and service must be performed by a qualified installer, service agency, or the gas supplier.

WARNING

The California Safe Drinking Water and Toxic Enforcement Act requires the Governor of California to publish a list of substances known to the State of California to cause cancer, birth defects, or other reproductive harm, and requires businesses to warn of potential exposure to such substances.

This product contains a chemical known to the State of California to cause cancer, birth defects, or other reproductive harm. This appliance can cause low-level exposure to some of the substances listed, including benzene, formaldehyde, and carbon monoxide.

In the State of Massachusetts, the following installation instructions apply:

- Installations and repairs must be performed by a qualified or licensed contractor, plumber, or gasfitter qualified or licensed by the State of Massachusetts.
- If using a ball valve, it shall be a T-handle type.
- A flexible gas connector, when used, must not exceed 3 feet.

WARNING

To reduce the risk of fire, electric shock, or injury to persons when using your appliance, follow the basic precautions, including the following:

NOTE: The dryer is designed in compliance with ANSI Z21.5.1 or ANSI/UL 2158 - CAN/CSA C22.2 No. 112-97 (latest editions) for HOME USE ONLY. This dryer is not recommended for commercial application such as restaurants and beauty salons.

- Read all of the instructions before using this appliance.
- This appliance must be properly installed and located in accordance with the installation instructions before it is used.
- Use this appliance only for its intended purpose as described in this user manual.
- Do not use the dryer for commercial clothes drying.

GAS DRYER PRECAUTIONS

WARNING

For your safety, the information in this manual must be followed to minimize the risk of fire or explosion or to prevent property damage, personal injury or loss of life.

IMPORTANT: The gas installation must conform with local codes, or in absence of local codes, with the National Fuel Gas Code, ANSI Z223.1/ NFPA 54, or the Natural Gas and Propane Installation Code, CSA B149.1.

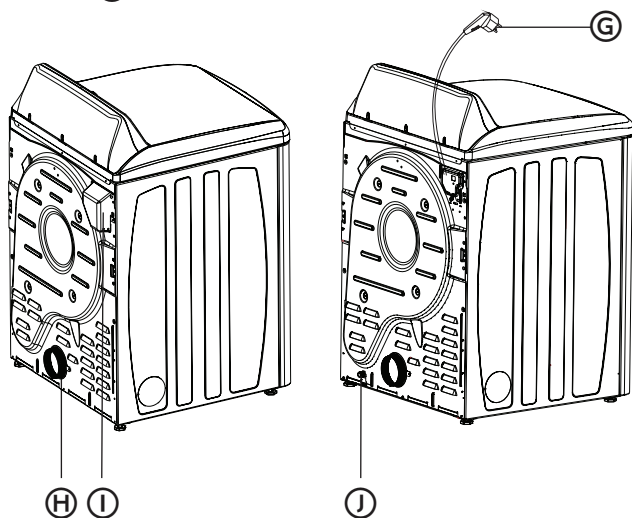
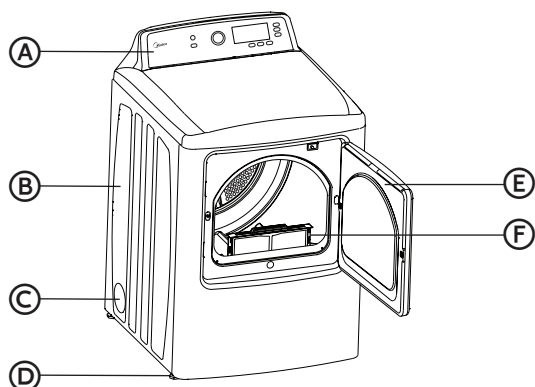
- Installation must be performed by a qualified or licensed contractor, plumber, or gas fitter qualified or licensed by the state, province, or region where this appliance is being installed.
- Combustible materials, gasoline, and other flammable vapors and liquids must not be stored near the dryer.

GENERAL SAFETY PRECAUTIONS

- Keep area around the exhaust opening and adjacent surrounding areas free from the accumulation of lint, dust and dirt.
- Keep the dryer area clear and free from items that would obstruct the flow of combustion and ventilation air through the louvered panel located on the rear of the dryer.
- Close supervision is necessary if this appliance is used by or near children. Do not allow children to play on, with, or inside this appliance.
- Do not dry items that have been previously cleaned in, washed in, soaked in, or spotted with gasoline, dry-cleaning solvents or other flammable explosive substances, since they give off vapors which could ignite or explode.
- Do not place items exposed to cooking oils in your dryer. Items contaminated with cooking oil may contribute to a chemical reaction than could cause a load to catch fire.
- If material has been used with any flammable liquids or solids, it should not be dried in the dryer until all traces of flammable liquids and fumes have been removed.
- Do not reach into the appliance if the drum is moving.
- Do not tamper with the controls.
- Do not use fabric softeners or products to eliminate static unless recommended by the manufacturers of the fabric softener or product.
- Do not use heat to dry items containing foam rubber or similarly textured rubber-like materials.
- Clean the lint screen before or after each load.
- The interior of the appliance and the exhaust duct should be cleaned periodically by qualified service personnel.
- To minimize the possibility of electric shock, unplug this appliance from the power supply before attempting any maintenance or cleaning.
NOTE: Switching off power with the Power button does NOT disconnect the appliance from the power supply.
- Do not unplug your dryer by pulling on the power cord. Always grasp the plug firmly and pull straight out from the outlet.
- Do not attempt to service, repair or replace any part of the appliance unless specifically recommended in this user manual or in published repair instructions that you understand and have the skills to carry out.
- Before discarding or removing from service, remove the door to the drying compartment.

SAVE THESE INSTRUCTIONS
HOUSEHOLD USE ONLY

PARTS AND FEATURES



Electric Dryer

Gas Dryer

- Ⓐ Control Panel
- Ⓑ Dryer Cabinet
- Ⓒ Left Venting Hole (for Option)
- Ⓓ Leveling Feet
- Ⓔ Dryer Door
- Ⓕ Lint Screen
- Ⓖ Power Cord (For gas dryer only)
- Ⓗ Exhaust Outlet
- Ⓘ Wiring Box (electric dryer only)
- ⓵ Gas Inlet Pipe

INSTALLATION INSTRUCTIONS

WARNING

Risk of Fire

Clothes dryer installation must be performed by a qualified installer.

Install the clothes dryer according to the manufacturer's instructions and local codes.

Do not install a clothes dryer with flexible plastic venting materials. If flexible metal (foil type) duct is installed, it must be of a specific type identified by the appliance manufacturer as suitable for use with clothes dryers. Flexible venting materials are known to collapse, be easily crushed, and trap lint. These conditions will obstruct clothes dryer airflow and increase the risk of fire.

To reduce the risk of severe injury or death, follow all installation instructions.

IMPORTANT: When discarding or storing your old clothes dryer, remove the door.

WARNING

Suffocation Hazard

Before you throw away your old appliance, remove the door or lid so that children cannot hide or get trapped inside your old appliance.

Failure to follow these instructions can result in death or brain damage.

IMPORTANT: The dryer, when installed, must be electrically grounded in accordance with local codes, or in the absence of local codes, with the National Electrical Code, ANSI/NFPA 70, or the Canadian Electrical Code, CSA C22.1.

TOOLS NEEDED

- Phillips Screwdriver
 - Flat-Blade Screwdriver
 - Channel-Lock Adjustable Pliers
 - ½" Open-End Wrench
 - Carpenter's Level
 - Measuring Tape (12 ft [3.7 m] min.)
 - Duct Tape
 - Cutting Knife
- For gas installations only:**
- Pipe Wrench
 - 2 Adjustable Wrenches

ADDITIONAL PARTS REQUIRED

- 4" (10.2 cm) Rigid or Flexible Metal Exhaust Ducting
- Vent Clamps
- Duct Tape
- Power Cord (US Electric Dryer Only)
 - A power supply cord kit must be purchased to meet local electrical codes. The dryer must use a 3 or 4-wire NEMA 14-30 or 10-30 type SRDT or ST (as required) power supply cord rated at 120/240 volt AC minimum, 30 amp, with 10 AWG conductors terminated with upturned ends or closed loop connectors and marked for use with clothes dryers.
 - UL Listed Strain Relief
- Gas Hookup Parts (Gas Dryer Only)
 - 3/8" NPT Elbow
 - 3/8" NPT Flare Adapter Fitting
 - 3/8" Flexible Gas Connector
 - Pipe-Joint Compound
- Mobile Home Installation Kit (Gas Dryer for Mobile Home Only)

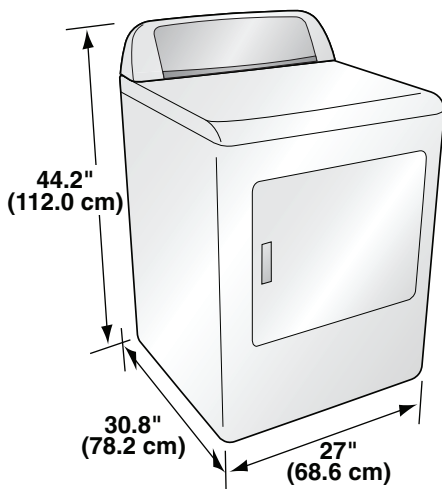
LOCATION REQUIREMENTS

⚠ WARNING

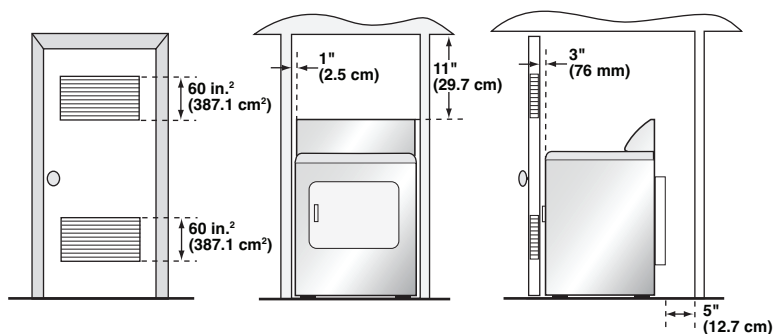
Do not install the dryer where gasoline or other flammables are kept or stored. If the dryer is installed in a garage, it must be a minimum of 18 inches (45.7 cm) above the floor. Failure to do so can result in death, explosion, fire or burns.

- The dryer must be installed on a solid floor. A concrete floor is the best.
- The floor should be level with maximum slope of 1" (2.5 cm) under entire dryer.
- A suitable location is protected from direct sunlight and heat sources such as radiators, baseboard heaters, or cooking appliances.
- Do not install on carpeting.
- The location must have the appropriate electrical and gas supply outlets. See "Electrical & Gas Supply Requirements" section for details.
- Do not install the dryer in an area where the dryer will come into contact with curtains, thick carpet, or anything that might obstruct the flow of combustion and ventilation air.
- Do not install or store this appliance where it will be exposed to water and/or to the weather.

DRYER DIMENSIONS



ALCOVE OR CLOSET REQUIREMENTS



MINIMUM CLEARANCES

- Dimensions shown are the recommended minimum clearance allowances.
- Space on the sides of the dryer is required to avoid noise transfer.
- Space 5" (12.7 cm) at the rear of the dryer is necessary to accommodate exhaust ducting.

OTHER REQUIREMENTS

- This dryer must be vented to the outdoors.
- Do not install the dryer in a closet with a solid door.
- A closet door must be louvered or vented with a combined minimum of 72 sq. in. (465 sq. cm.) with a minimum clearance of 3" (76 mm) at the top and bottom. The airflow must not be obstructed in any way.
- No other fuel-burning appliance shall be installed in the same closet as the gas dryer.

ELECTRICAL & GAS SUPPLY REQUIREMENTS

GROUNDING INSTRUCTIONS:

This appliance must be grounded. In the event of malfunction or breakdown, grounding will reduce the risk of electric shock by providing a path of least resistance for electric current. This appliance is equipped with a cord having an equipment-grounding conductor and a grounding plug. The plug must be plugged into an appropriate outlet that is properly installed and grounded in accordance with all local codes and ordinances.

WARNING

Improper connection of the equipment grounding conductor can result in a risk of electric shock. Check with a qualified electrician or service representative or personnel if in doubt as to whether the appliance is properly grounded.

ELECTRIC DRYER (U.S. ONLY)

WARNING

Improper connection of the equipment-grounding conductor can result in a risk of electric shock. Check with a qualified electrician or serviceman if you are in doubt as to whether the appliance is properly grounded.

NOTE: The electrical supply for the dryer must conform with local codes and ordinances and the latest edition of the National Electrical Code, ANSI/NFPA 70.

- If the electrical supply available in the intended dryer location does not meet the above requirements, contact a licensed electrician.
- A dryer operating on a 208 volt power supply will have longer drying times than if it were operating on a 240 volt power supply.
- The dryer is not equipped with a power cord. A kit that meets local electrical codes must be purchased separately. The dryer can be fitted with a 3 or 4-wire NEMA 14-30 or 10-30 type SRDT or ST (as required) power cord rated at 120/240 volt AC minimum, 30 amp, with 3 open-end spade lug connectors with upturned ends or closed loop connectors and marked for use with clothes dryers.
- A UL listed strain relief must be attached to the dryer to hold the power cord.
- Do not use an aluminum wire receptacle with copper-wired power cord and plug (or vice versa). The proper wiring and receptacle is a copper-wired power cord with a copper-wired receptacle.
- The electrical outlet should be located so that the power cord is accessible when the dryer is in the installed position.

ELECTRIC DRYER (CANADA ONLY)**⚠ WARNING**

The dryer must be plugged into a properly grounded 4-wire, single phase, 120/240 volt, 60Hz, AC-only electrical outlet connected to an individual 30-amp circuit, fused with a 30-amp time-delay fuse or circuit breaker. Do not operate a washer and dryer on the same circuit.

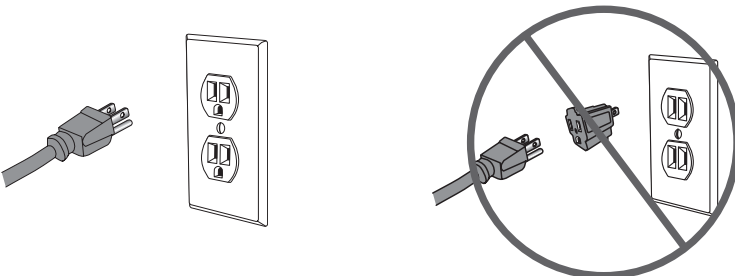
NOTE: The electrical service to the dryer must conform with local codes and ordinances and the latest edition of the CSA C22.1 Canadian Electrical Code Part 1.

- If the electrical supply available in the intended dryer location does not meet the above requirements, contact a licensed electrician.
- All Canadian models are shipped with the power cord attached. The power cord should be plugged into a 30-ampere receptacle. In Canada, you may not convert a dryer to 208 volts.
- The electrical outlet should be located so that the power cord is accessible when the dryer is in the installed position.

GAS DRYER**ELECTRICAL SUPPLY REQUIREMENTS****⚠ WARNING**

The gas dryer must be plugged into a properly grounded 3-wire, single phase, 120 volt, 60Hz, AC-only electrical outlet, fused with a 15-amp time-delay fuse or circuit breaker.

- The dryer is equipped with a power cord that has a 3 prong plug. Do not cut or remove the grounding prong from the power cord.
- The power cord must be plugged into a mating, 3 prong outlet, grounded in accordance with local codes and ordinances. If a mating outlet is not available, contact a licensed electrician to have one installed.
- If you are not sure if your outlet is properly grounded, contact a licensed electrician.
- Do not use a 3 prong plug adapter.
- Do not use an extension cord.



GAS SUPPLY REQUIREMENTS

NOTE: The gas service to the dryer must conform with local codes and ordinances and the latest edition of the National Fuel Gas Code, ANSI Z223.1 or in Canada, CAN/CGA B149.1.

Natural Gas

- The dryer is equipped for use with Natural gas.

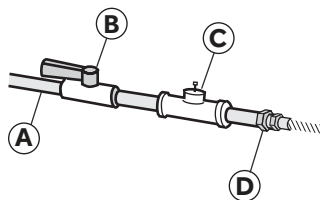
LP (Liquid Propane) Gas

- The dryer can be converted for use with LP gas.
- Conversion to LP gas must be made by a qualified technician.

Gas Supply Line

- The gas supply line should be $\frac{1}{2}$ " (1.3 cm) pipe and must have an individual manual shutoff valve installed within 6 ft (183 cm) of the dryer in accordance with the National Fuel Gas Code, ANSI Z223.1/NFPA 54, or in Canada with the Natural Gas and Propane Installation Code, B149.1.
- The shutoff valve should be easy to reach for opening and closing.
- A $\frac{1}{8}$ " NPT minimum plugged tapping, accessible for test gage connection, must be installed immediately upstream of the gas supply connection to the dryer.
- The supply line should terminate with a $\frac{3}{8}$ " NPT flare adapter fitting.

- (A) $\frac{1}{2}$ " NPT Gas Supply Line
- (B) Gas Shutoff Valve
- (C) $\frac{1}{8}$ " NPT Minimum Plugged Tapping
- (D) $\frac{3}{8}$ " NPT Flare Adapter Fitting



GAS SUPPLY CONNECTION REQUIREMENTS

This dryer must be connected to the gas supply line with a listed flexible gas connector that complies with the standard for connectors for gas appliances, ANSI Z21.24 or CSA 6.10.

Flexible stainless steel gas connector:

- If local codes permit, use a new flexible stainless steel gas connector (Design Certified by the American Gas Association or CSA International) to connect your dryer to the rigid gas supply line. Use an elbow and a $\frac{3}{8}$ " flare x $\frac{3}{8}$ " NPT adapter fitting between the stainless steel gas connector and the dryer gas pipe, as needed to prevent kinking.

BURNER INPUT REQUIREMENTS

Elevations up to 10,000 ft. (3,048 m):

- The design of this dryer is certified by CSA International for use at altitudes up to 10,000 ft. (3,048 m), above sea level at the B.T.U. rating indicated on the model/serial number plate. Burner input adjustments are not required when the dryer is operated up to this elevation.

Elevations above 10,000 ft. (3,048 m):

- When installed above 10,000 ft. (3,048 m) a 4% reduction of the burner B.T.U. rating shown on the model/serial number plate is required for each 1,000 ft. (305 m) increase in elevation.

Gas supply pressure testing:

- The dryer must be disconnected from the gas supply piping system during pressure testing at pressures greater than 1/2 psi (3.5kPa).

EXHAUST SYSTEM REQUIREMENTS

⚠ WARNING

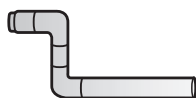
This section describes the requirements for a safe and efficient exhaust system. Failure to follow these instructions can result in poor dryer performance, damage to the dryer, and a fire hazard.

IMPORTANT: The dryer must be exhausted to the outdoors.

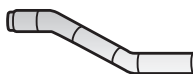
- The dryer shall not be exhausted into any gas vent, chimney, wall, ceiling, attic, crawl space, or concealed space of a building.

DUCTING

- If your current exhaust system is constructed of plastic or metal foil flexible ducting, replace it with rigid metal ducting.
- Use only 4" (10.2 cm) diameter rigid metal ducting.
- When making turns in the ductwork, use 45° elbows rather than 90° elbows. This provides better airflow and can reduce the accumulation of lint in the exhaust system.

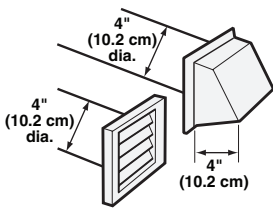
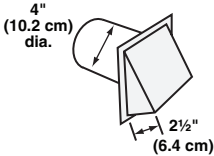


90° - Good



45° - Better

- Do not exceed the length of duct pipe for the number of elbows shown in the chart below. Doing so can cause an accumulation of lint, an increase in drying time, and the creation of a fire hazard.
- Two 45° elbows equal one 90° elbow.

Recommended Maximum Exhaust Length		
Exhaust Hood Types		
	Recommended	Use Only For Short Run Installations
		
No. of 90° Elbows	Rigid Metal	Rigid Metal
0	90 feet	60 feet
1	60 feet	45 feet
2	45 feet	35 feet
3	35 feet	25 feet

- All joints should be tight to avoid air leaks. The male end of each section of ducting must point away from the dryer.
- Use clamps or duct tape to connect and seal all joints. Do not connect with screws or other fasteners that extend into the interior of the duct as they will create a collection point for lint.



Clamp

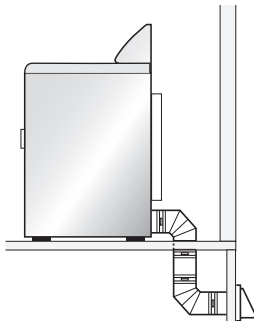
- Avoid running the exhaust system through an unheated area as this will cause condensation to form inside the duct and increase the rate of lint accumulation.
- Avoid running the exhaust system vertically through a roof as this may expose the exhaust system to down drafts, causing an increase in air restriction.
- Avoid sagging, compression or crimping of the exhaust system as this will result in reduced airflow and poor dryer performance.
- Do not screen the end of the exhaust system. Lint will accumulate and eventually clog the screen. Use an approved exhaust hood to terminate the duct outdoors.
- The total length of flexible metal duct shall not exceed 2.4 m (7.8 ft).

EXHAUST HOOD

- Use an approved exhaust hood with a swing-out damper that opens when the dryer is in operation. When the dryer stops, the damper automatically closes to prevent drafts and the entrance of insects and rodents.
- Louvered or box hood styles are recommended. Angled hood styles are acceptable, but should be used only for short run installations. See the "Recommended Maximum Exhaust Length" chart for more information.
- To avoid restricting airflow, maintain a minimum of 12" (30.5 cm) clearance between the vent hood and the ground or any other obstruction.

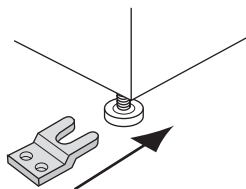
MOBILE HOME - ADDITIONAL REQUIREMENTS

- The installation must conform to current Manufactured Home Construction and Safety Standard, Title 24 CFR-Part 3280 or the Canadian Manufactured Home Standard CAN/CSA-Z240 MH.
- Special provisions must be made for outside makeup air. The opening should be at least twice as large as the dryer exhaust outlet.
- If the dryer is exhausted through the floor and into an enclosed area beneath the mobile home, the exhaust system must terminate outside the enclosure with the termination securely fastened to the mobile home structure.



GAS DRYER ONLY (MOBILE HOME ONLY)

- The dryer must be fastened to the floor using a mobile home installation kit. Follow the instructions supplied with the kit.



STEP BY STEP INSTRUCTIONS

INSTALLING YOUR DRYER

We recommend that your new dryer be installed by a qualified appliance technician. If you feel that you have the skills to install the dryer, please read the installation instructions thoroughly before installing.

CAUTION: If, after completing these steps, you are unsure that the dryer is properly installed, contact a qualified appliance technician.

STEP 1 - UNPACK THE DRYER

1. Remove all packing materials. This includes the foam base and all adhesive tape holding the dryer accessories inside and outside.
2. Inspect and remove any remains of packing, tape or printed materials before using the dryer.

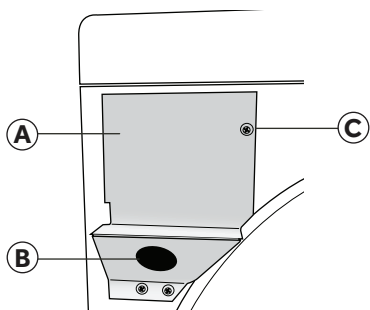
⚠ WARNING

To avoid danger of suffocation, keep plastic bag and other packing material away from babies and children. Do not use this bag in cribs, carriages and playpens. The plastic bag could block nose and mouth and prevent breathing. This bag is not a toy.

STEP 2 - ATTACH A POWER CORD TO THE DRYER (ELECTRIC DRYER - U.S. ONLY)

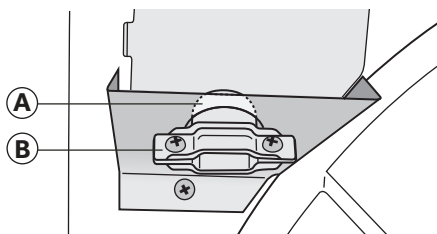
1. Remove the screw securing the terminal block access cover, located on the back of the dryer's upper corner.

- (A) Terminal Block Access Cover
- (B) Hole in Strain Relief Mounting Bracket
- (C) Access Cover Screw



2. Insert a UL listed strain relief into the mounting bracket hole. Position the strain relief so that one tab is pointing up and one tab is pointing down. Tighten the strain relief screws just enough to hold the two halves together.

- (A) Tab
- (B) Strain Relief



3. Insert a power cord into the strain relief. Take care to ensure that the wire insulation of the power cord is inside the strain relief.

4. Connect power cord wires following Part A for a 4-wire power cord connection or Part B for a 3-wire power cord connection.

4-wire (recommended) if your home has a 4-wire receptacle (NEMA 14-30 type SRDT or ST):

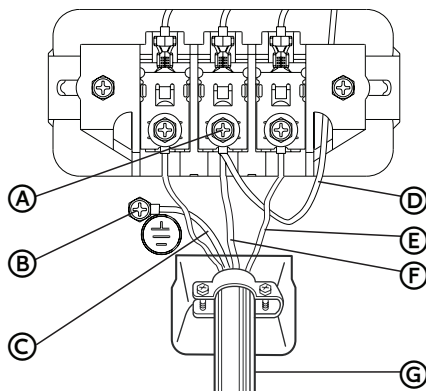
3-wire (if 4-wire is not available) if your home has a 3-wire receptacle (NEMA 10-30 type SRDT):

CAUTION: A 4-conductor cord shall be used when the appliance is installed in a location where grounding through the neutral conductor is prohibited. Grounding through the neutral conductor is prohibited for (1) new branch-circuit installations, (2) mobile homes, (3) recreational vehicles, and (4) areas where local codes prohibit grounding through the neutral conductors.



- 5. Reinstall the terminal block cover.
- 6. Be sure that none of the wires are touching the dryer drum inside the dryer cabinet.
- 7. Tighten strain relief screws.

PART A - 4-WIRE POWER CORD

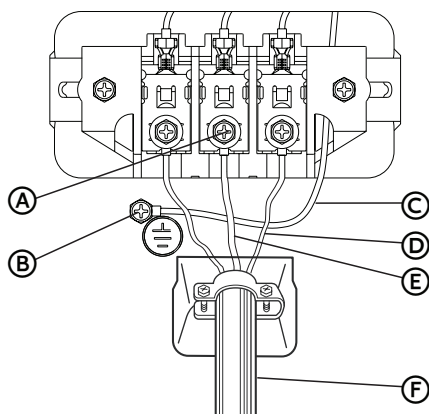


- (A) Terminal Block Screw
- (B) Ground Screw (Green)
- (C) Power Cord Ground Wire (Green)
- (D) Neutral-Ground Jumper Wire (White)
- (E) Power Cord Line Wires (One Red; One Black)
- (F) Power Cord Neutral Wire (White)
- (G) Power Cord

- A1.** Attach the power cord ground wire (green) to the cabinet with the green ground screw. Tighten the screw securely.
- A2.** Attach the power cord neutral wire (white) and the neutral ground jumper wire (white) with the center terminal block screw. Tighten the screw securely.
- A3.** Attach the remaining 2 power cord line wires (red and black) with the outer terminal block screws. Attach one wire to each terminal block as shown. Tighten both screws securely.

IMPORTANT: Do not make a sharp bend or crimp the wires at connections.

PART B - 3-WIRE POWER CORD



- | | |
|---|---|
| A Terminal Block Screw | D Power Cord Line Wires (One Red; One Black) |
| B Ground Screw (Green) | E Power Cord Neutral Wire (White) |
| C Neutral-Ground Jumper Wire (White) | F Power Cord |

- B1.** Attach the power cord neutral wire (white) to the center terminal block screw. Tighten the screw securely.
- B2.** Attach the remaining 2 power cord line wires (red and black) with the outer terminal block screws. Attach one wire to each terminal block as shown. Tighten both screws securely.
- B3.** Attach the neutral ground jumper wire (white) to the cabinet with the green ground screw. Tighten the screw securely.

IMPORTANT: Do not make a sharp bend or crimp the wires at connections.

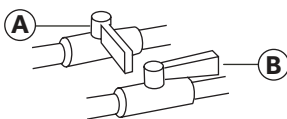
STEP 2 - CONNECT TO A GAS SUPPLY LINE (GAS DRYER ONLY)

NOTE: Do not connect the dryer to an LP gas line without first converting the dryer with a conversion kit. An LP conversion kit must be installed by a qualified technician.

NOTE: Apply a pipe-joint compound that is resistant to the action of LP gas to all males threads. Do not use plumber's tape.

1. Turn the gas supply off by moving the shutoff valve to the closed position.

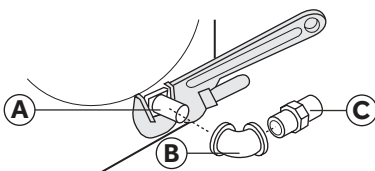
- (A) Closed Valve
- (B) Open Valve



2. Disconnect and discard old flexible gas connector. Replace with a new CSA(AGA) approved flexible gas connector.
3. Remove the shipping cap from the gas inlet pipe at the rear of the dryer.
4. Connect a $\frac{3}{8}$ " NPT elbow to the gas inlet pipe on the dryer. Then connect a flare adapter to the elbow.

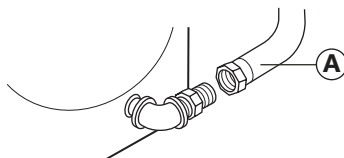
IMPORTANT: Use a pipe wrench to keep the dryer gas inlet pipe from twisting.

- (A) Gas Inlet Pipe on the Dryer
- (B) $\frac{3}{8}$ " NPT Elbow
- (C) $\frac{3}{8}$ " NPT Flare Adapter

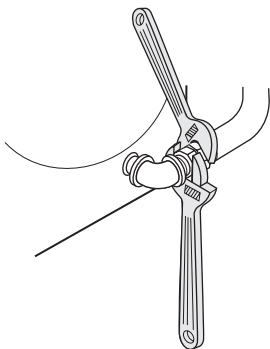


5. Connect the dryer to the gas supply line with a flexible gas connector.

- (A) Flexible Gas Connector



6. Tighten the flexible gas connector using two adjustable wrenches.



7. Turn the gas supply on by moving the shutoff valve to the open position. The valve is open when the handle is parallel to the gas pipe.
8. Check all connections for leaks by applying a noncorrosive leak-detection solution. Bubbles will identify leaks. If leaks are found, close the shutoff valve, retighten the joint, open the shutoff valve, and check again.

⚠ WARNING

Never use an open flame to test for gas leaks.

STEP 3 - CONNECT TO AN EXHAUST SYSTEM

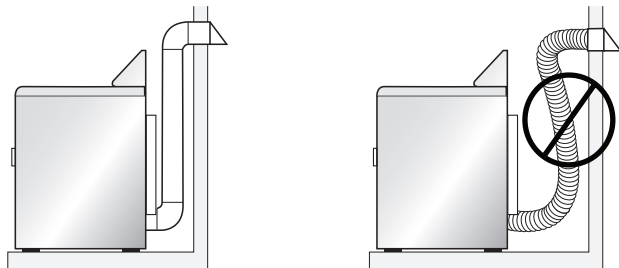
⚠ WARNING

To reduce the risk of fire, this dryer must be exhausted outdoors.

1. Make sure that the exhaust system is free and clear of old lint accumulation prior to connecting the dryer.
2. Use 4" (102 mm) rigid or flexible metal ducting to connect the dryer exhaust outlet to the exhaust system.
3. Use clamps to seal and secure all joints. Exhaust ducting must not be connected with screws or other fastening devices which extend into the interior of the duct.

NOTES:

- Do not use plastic or metal foil flexible ducting. Excessive lint can build up inside the ductwork, restrict airflow, and create a fire hazard. Restricted airflow will increase drying time.
- The dryer shall not be exhausted into a chimney, a wall, a ceiling, an attic, a crawl space, or a concealed space of a building.
- The dryer must be exhausted to the outdoors. If the dryer is not exhausted outdoors, some fine lint will be expelled into the laundry area. An accumulation of lint in any area of the home can create a health and fire hazard.

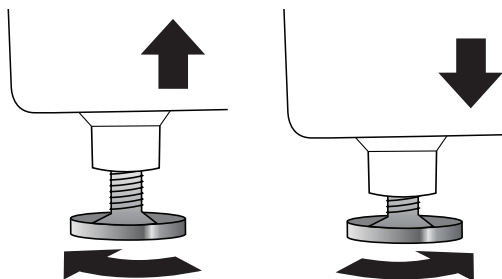


STEP 4 - LEVEL THE DRYER

1. Place the dryer in its final location. Take care not to crush or kink the exhaust vent. Make sure that all four feet are firmly in contact with the floor and that the dryer rests solidly in position.

NOTE: For a gas dryer, make sure that there are no kinks in the flexible gas line.

2. Using a carpenter's level, check that the dryer is level from side to side and from front to back.
3. If the dryer is not level, adjust the leveling feet. Turn clockwise to extend (raise the dryer) or counterclockwise to retract (lower the dryer).



STEP 5 - COMPLETE THE INSTALLATION

1. Plug the dryer power cord into an appropriate outlet.
2. Resume power to the outlet. Check that the circuit breaker is switched on.
3. Dispose of/recycle all packaging materials.
4. Make sure the dryer area is clean and free from combustible materials, gasoline, and other flammable vapors. Also see that nothing (such as boxes, clothing, etc.) obstructs the flow of combustion and ventilation air through the louvered panel located on the rear of the dryer.
5. Test dryer operation by selecting a Timed Dry heated cycle. See the "Operating Instructions" section.

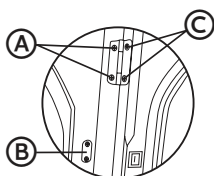
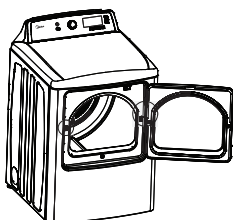
NOTE: On gas dryers, before the burner will light, it is necessary for the gas line to be bled of air. If the burner does not light within 45 seconds, the first time the dryer is turned on, the safety switch will shut off the burner. If this happens, turn the dryer to "OFF" and wait 5 minutes before making another attempt to light the burner.

STEP 6 - DOOR REVERSAL (OPTIONAL)

Your dryer door is built to open from (left to right). Use the following instructions to reverse the direction of the door swing so that it opens from (right to left).

NOTE: Different screw types are used for the door and cabinet. The flat-head screws are used for the door hinges.

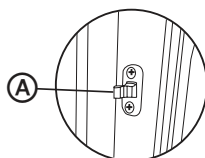
1. Unplug the power cord.
2. Remove the four screws attaching each hinge to the door and cabinet.



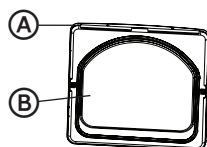
- (A) Cabinet Screws
- (B) Locker Cover
- (C) Door Screws

NOTE: Be sure to support the dryer door when removing the screws.

3. Set the dryer door aside. Remove the screws for the lock cover on the right-hand side of the dryer cabinet, and remove the screws for the lock on the left-hand side of the dryer cabinet.
4. Move the lock to the right-hand side of the cabinet, and move the lock cover onto the left-hand side of the cabinet, and then reinstall both with the screws removed earlier.
5. Remove the screws attaching the inner door board to the outer door board.
6. Remove the inner door board from the outer door board.
7. Turn the inner door board 180°, and then replace the inner door board inside the outer door board.
8. Using the screws removed in Step 5, fasten the inner door board to the outer door board.
9. With the screws removed in Step 2, attach the dryer door to the dryer cabinet.
10. With the handle on the right hand side, fasten the dryer door to the hinges.



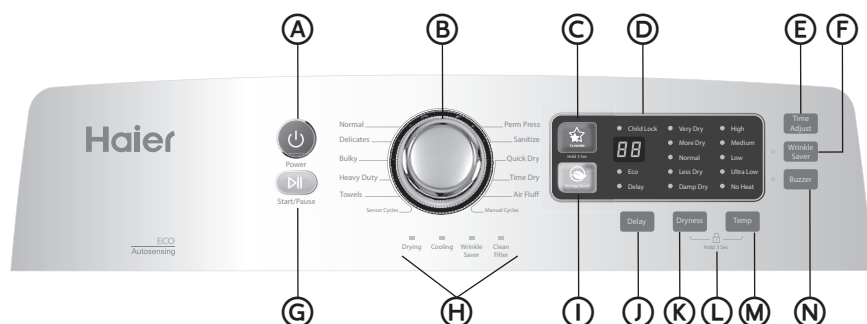
- (A) Lock



- (A) Outside Door Board
- (B) Inner Door Board

CONTROL PANEL AND FEATURES

CONTROL PANEL



A POWER BUTTON

Press once to turn your dryer on. Press again to turn your dryer off. If the dryer is left on for more than 10 minutes without any buttons being pressed, the unit will automatically turn OFF.

B CYCLE SELECTOR

Select your desired cycle for the type of load. The cycle you select determines the heat control for the cycle. The Normal, Delicates, Bulky, Heavy duty, Towels, Casual and Sanitize cycles are Sensor Dry cycles. The Quick Dry, Time Dry and Air fluff cycles are Manual Dry cycles.

C FAVORITE

Press and hold for 3 seconds to remember your favorite drying cycle. Press once to load your favorite cycle setting.

D DIGITAL DISPLAY

The LED digital display will show your remaining time for cycle selected. The LED will show selected delay time when setting the delay time..

E TIME ADJUST BUTTON

This button is effective only for Manual cycles. Push this button to change the drying time you prefer. Push one by one to get your desired the setting time.

F WRINKLE SAVER

Press once to add the Wrinkle Prevent step into the operating program. Press again to cancel selection.

G START/PAUSE BUTTON

Press once to start the program. Press again to pause the program. You can't change any setting except add a garment. Press once again to restart the program.

H CYCLE STATUS LIGHTS

The relative light will be lit when the dryer is in its drying program, say the cooling LED will lit when the dryer is operating in cooling down process. When the whole program is finished, the Clean Filter light will flash to remind you to clean the filter.

I ENERGY SAVER

Press once to select this function so that you can save money with similar drying performance..

J DELAY BUTTON

Delay the start of any cycle for up to 24 hours in one-hour increments. Displayed hours indicates the time the dry will start operation.

K DRYNESS LEVEL BUTTON

Press the button to select the dryness level. Different dryness level will result in different drying time. For clothes to be ironed manually, a lower dryness level should be selected.

L CHILD LOCK

Press the Dryness and Temp buttons together to activate the Child lock function. Press again for another 3 seconds to deactivate the function. All selection except the "Power" will be out of function.

M TEMP BUTTON

Press the button to select the drying temperature.

High - For sturdy cottons or those labeled Tumble Dry.

Medium - For permanent press, synthetics, lightweight cottons, or items labeled Tumble Dry Medium.

Low - For lower heat than Medium to dry synthetic or washable knit fabrics.

Ultra Low - For heat sensitive items labeled Tumble Dry Low or Tumble Dry Warm.

No Heat - Provides just the air cycle without any heat.

N BUZZER BUTTON

Press once to stop the buzzer sound. Press again to activate the sound. Your selection will be kept until next pressing.

CYCLE GUIDE

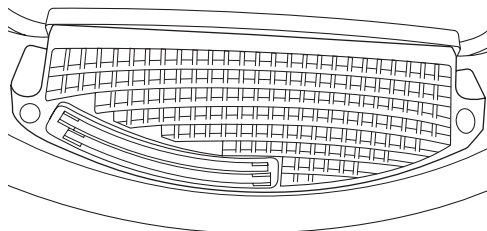
NOTE: To protect your garments, all options and settings are not available for all cycles. The shaded boxes indicate the default settings for each cycle.

CYCLE	FABRIC TYPE	EST. TIME	DRY TEMP	DRY LEVEL	OPTIONS
Sanitize	Towels, bedding, children's clothing	60	High	Very Dry	Delay, Wrinkle Saver, Favorite
Heavy Duty	Heavyweight items such as towels and jeans	55 (Gas) 60 (Electric)	High	More Dry	Eco, Delay, Wrinkle Saver, Favorite
			Medium	Very Dry	
			Low	Normal	
			Ultra Low	Less Dry	
Normal	Cottons, linens, and mixed garments	57 (Gas) 63 (Electric)	No Heat	Damp Dry	Eco, Delay, Wrinkle Saver, Favorite
			High	More Dry	
			Medium	Very Dry	
			Low	Normal	
Bulky	Blankets, sheets, comforters	55 (Gas) 60 (Electric)	Ultra Low	Less Dry	Eco, Delay, Wrinkle Saver, Favorite
			No Heat	Damp Dry	
			Medium	More Dry	
			High	Very Dry	
Towels	Heavyweight items such as towels and jeans	58 (Gas) 64 (Electric)	Low	Normal	Eco, Delay, Wrinkle Saver, Favorite
			Ultra Low	Less Dry	
			No Heat	Damp Dry	
			High	More Dry	
Perm Press	Cotton poly blends, wrinkle-free shirts and pants	27	Medium	Normal	Eco, Delay, Wrinkle Saver, Favorite
			Low	Very Dry,	
			Ultra Low	More Dry	
Delicates	Lingerie, blouses, and synthetics	32	No Heat	Damp Dry	Eco, Delay, Wrinkle Saver, Favorite
			Low	Less Dry	
			Ultra Low	Very Dry	
			No Heat	More Dry	
Timed Dry	Cottons, linens, and mixed garments	40	High	N/A	Delay, Wrinkle Saver, Favorite, Time Adjust
			Medium		
			Low		
Quick Dry	Small loads and sportswear	30	Extra Low	N/A	Delay, Wrinkle Saver, Favorite, Time Adjust
			No Heat		
			High		
			Medium		
Air Fluff	Rubber, plastic, and heat-sensitive fabrics	20	Ultra Low	N/A	Delay, Wrinkle Saver, Favorite, Time Adjust
			No Heat		

FEATURES

HUMIDITY DRYNESS SENSOR

- The humidity sensor enables the dryer to sense the actual moisture content of garments in the load. Automatic Cycles utilize this information along with air temperature readings to complete the dry cycle at the proper time. This intelligent technology saves energy, reduces static, and protects clothing from damage due to over-drying.
- The sensor also provides consistent and accurate drying results and enables you to fine tune the dryer's performance with the Dry Level button.



INTERIOR DRUM LIGHT (ON SOME MODELS)

- The interior drum light helps you see inside the dryer and find all of your laundry items. A switch on the cabinet automatically turns the light on when the door is opened and off when the door is closed.

OPERATING INSTRUCTIONS

WARNING

To reduce the risk of fire, electric shock, or injury to persons, read the **IMPORTANT SAFETY INSTRUCTIONS** before operating this appliance.

STEP 1 - PREPARE AND SORT LAUNDRY

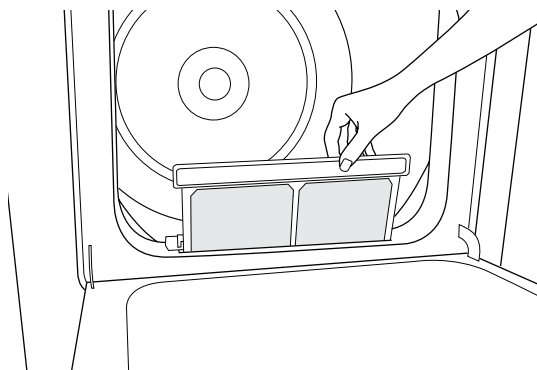
- Check garment labels for manufacturers' drying instructions.
- Where possible, turn pockets inside out for uniform drying.
- Tie strings and sashes so they don't tangle.
- Close zippers, snaps and hooks to avoid snagging.
- Make sure buttons and ornaments on the clothes are high temperature resistant and will not damage drum surface.
- To avoid permanently setting stains or soils, check that all stains and soils have been removed during the wash cycle. If not, wash them again.
- To avoid entanglement and ensure easy removal, small articles should be collected in a mesh bag before loading.
- Separate fabrics that attract lint from fabrics that give off lint. Clothes prone to linting should be turned inside out before being put into the dryer.

STEP 2 - CLEAN THE LINT SCREEN

1. Clean the lint screen before each use. The filter can be removed by pulling on the handle of the lint screen located inside the dryer door.
2. Use your fingers to roll the accumulated lint off of the lint screen. Do not rinse or wash the lint screen to remove lint.
3. Slide the lint screen back into place.

NOTES:

- Do not operate the dryer without having the lint screen in place. Without the screen, tumbling garments could enter the exhaust system and cause damage to the dryer.
- Lint buildup on the screen will restrict airflow and cause longer drying times.



STEP 3 - LOAD THE DRYER

1. Load damp garments loosely into the dryer drum.
2. Close the dryer door.

NOTES:

- Do not pack the dryer full of garments.
- An appropriate load should be $\frac{1}{3}$ to $\frac{1}{2}$ of the drum volume. Allow space for clothes to tumble freely for uniform and wrinkle-free drying.
- When you are drying large bulky items, only 2-3 pieces should be loaded at a time along with a few small and medium-sized garments.
- For delicate clothes or small loads, adding a couple of towels will help to ensure that garments are tumbled. This will produce even drying and reduce wrinkles.

STEP 4 - START THE DRYER

1. Turn the dryer on by pressing the POWER BUTTON.
2. Select a dry cycle by rotating the CYCLE SELECTION KNOB.
3. Modify the default settings and options if desired.
4. Press the START/PAUSE BUTTON on the face of the knob to start the dryer.

NOTE:

- Opening the door will pause the operating cycle. Close the door and press the START/PAUSE BUTTON to resume.

WARNING

Always unplug your dryer to avoid electric shock before cleaning.

Ignoring this warning may result in death or injury.

Before using cleaning products, always read and follow manufacturer's instructions and warnings to avoid personal injury or product damage.

CLEANING AND MAINTENANCE

- Only use a damp or sudsy cloth for cleaning the control panel.
- If you spill liquid/powdered softener, bleach or detergent on the cabinet, wipe the cabinet immediately to avoid damage to the finish.
- Do not use abrasive cleansers, harsh chemicals, ammonia, chlorine bleach, concentrated detergent, or solvents to clean the dryer. These chemicals may dissolve, damage, or discolor the dryer.
- Do not use any type of spray cleaner when cleaning the dryer interior. Hazardous fumes or electric shock could occur. If dryer drum becomes stained, clean the drum with a damp cloth. Remove any residue before drying next load.

WASHING THE LINT SCREEN

- Laundry detergent and fabric softener residue can build up on the lint screen. This buildup can cause longer drying times, or cause the dryer to stop before your load is completely dry.
- Wash the lint screen every 6 months, or sooner, if it becomes clogged due to a residue buildup.

Steps to Wash the Lint Screen:

1. Remove the normal accumulation of lint with your fingers.
2. Wet both sides of lint screen with hot water.
3. Apply liquid detergent with water and scrub with a nylon brush.
4. Thoroughly rinse the lint screen with hot water.
5. Completely dry the lint screen before reinstalling and using the dryer.

REMOVING ACCUMULATED LINT

Inside the Dryer Cabinet

- Lint should be removed every 2 years, or more often, depending on dryer usage. Cleaning should be done by a qualified person.

The Exhaust System

- The exhaust system should be inspected and cleaned at least every 12 months with normal usage. The more the dryer is used, the more often you should check the exhaust system and outdoor exhaust hood for proper operation.

VACATIONING PRECAUTIONS

- Unplug the dryer from the electrical outlet or disconnect the power.
- Wash the lint screen. See the "Washing the Lint Screen" section.
- (For gas dryers only): Close shutoff valve in gas supply line.

MOVING OR STORAGE PREPARATION

In addition to performing the steps in "Vacationing Precautions," complete the following additional steps.

- Disconnect the dryer from the exhaust system.
- Turn the leveling feet so that they are fully retracted into the dryer cabinet.
- Use masking tape to secure dryer door.
- Move and store your dryer in an upright position only.

NOTE: For gas dryers, turn off the gas being supplied to the dryer. Disconnect the dryer from the gas supply line and remove fittings attached to the dryer's gas inlet pipe. Cap the gas supply line.

TROUBLESHOOTING

ERROR CODES

When the dryer senses an error all machine operations will stop, a series of 4 beeps will sound and an error code will be shown in the Estimated Time Remaining display.

ERROR CODE	DESCRIPTION	POSSIBLE CAUSE AND SOLUTION
C9 (Short Circuit)	The PCBs failed.	Call for service.
E4 (Heating Element Problem)	The humidity sensor failed.	The unit will complete the current operating cycle. The unit can still operate under the Time cycles. Call for service.
E5	The temperature sensor failed.	Call the service center for help.

NORMAL OPERATING SOUNDS

- The following sounds are normal during the operation of the dryer.
- Tumbling sound: This is normal as the heavy, wet clothes in the dryer are continuously being tossed around.
- Air rushing noise: This happens as the dryer drum spins and the air is rushing through the dryer drum.

DRYER DOES NOT OPERATE

- Check that the dryer is plugged in. The plug may have come loose.
- Check that the electrical wall receptacle is of proper voltage. Electric dryers require a 240 volt power supply.
- Check if the circuit breaker needs to be reset, or if the fuse needs to be replaced.
- Check that the dryer door is firmly closed.
- Press the Start/Pause button again if the door is opened during the cycle.

CLOTHES ARE NOT DRYING

- Dryer may be overloaded. Wet clothes should not fill more than ½ of the drum volume.
- Check the exhaust ducting and exhaust hood. The entire exhaust system should be free of obstructions.
- The exhaust system should be maintained, and cleaned regularly.
- Dryer load may need to be sorted. Heavyweight clothes should be separated from lightweight clothes.
- Bulky items may require repositioning.
- Check the lint screen. Lint screen should be cleaned before each load.
- Check that the dryer is not set on the Air Fluff (no heat) temperature setting.
- For gas dryers, check that the gas supply line is open.

DRYER IS MAKING NOISE

Rattling or clanking noises:

- Foreign objects may be in the dryer drum. Stop the dryer and check for foreign objects such as loose change, keys and heavy objects.

Vibration noises:

- Load may be uneven. Stop the dryer and rearrange the load.
- Dryer may not be level. Check that all four leveling feet are resting firmly on the floor and that the dryer is level.
- See the “Normal Operating Sounds” section.

Static:

- Caused by over-drying. Adjust for shorter drying time and use a fabric softener or a dryer sheet.

Loads are wrinkled:

- The load may have been left in the dryer too long at the end of the cycle. Be sure to remove clothes promptly after the load ends.
- Dryer may be overloaded. The dryer drum should be at most half full.

Odors:

- Wet clothes left in the washer and/or dryer may develop an odor. Drying will not remove this odor. Rewash clothes before drying them.
- The electric heating element may have an odor when the dryer is used for the first time. The odor will be gone after the first cycle.

FOR MORE HELP, VISIT [HAIER.COM](http://haier.com) OR CALL THE CONSUMER HELP LINE AT 1-877-377-3639.

LIMITED WARRANTY

IN HOME SERVICE

FULL ONE YEAR WARRANTY

For 12 months from the date of original retail purchase, Haier will repair or replace any part free of charge including labor that fails due to a defect in materials or workmanship.

Haier may replace or repair at their sole discretion any part, sub system including the entire product.

Product must be accessible, without encumbrance and installed properly to receive for warranty repair service.

LIMITED WARRANTY

After one year from the original retail purchase date, Haier will provide a part at no cost, as indicated below, to replace said part as a result of a defect in materials or workmanship. Haier is solely responsible for the cost of the part. All other costs, such as labor, trip charge, etc., are the responsibility of the owner.

Second through Fifth Year

Haier will provide the drum if defective in material or workmanship.

NOTE: This warranty commences on the date the item was purchased, and the original purchase receipt must be presented to the authorized service representative before warranty repairs are rendered.

Exceptions: Commercial Use Warranty

90 days labor from date of original purchase

90 days parts from date of original purchase

No other warranty applies.

FOR WARRANTY SERVICE

All service must be performed by a Haier authorized service center. For the name and telephone number of the nearest authorized service center, please call 1-877-337-3639.

Before calling please have available the following information:

Model number and serial number of your appliance. The name and address of the dealer you purchased the unit from and the date of purchase.

A clear description of the problem.

A proof of purchase (sales receipt).

This warranty covers home appliance services within the contiguous United States and Canada and where available in Alaska, Hawaii and Puerto Rico.

What is not covered by this warranty:

Replacement or repair of household fuses, circuit breakers, wiring or plumbing.

A product whose original serial number has been removed or altered.

Any service charges not specifically identified as normal such as normal service area or hours.

Damage to clothing.

Damage incurred in shipping.

Damage caused by improper installation or maintenance.

Damage from misuse, abuse accident, fire, flood, or acts of nature.

Damage from service other than an authorized Haier dealer or service center.

Damage from incorrect electrical current, voltage or supply.

Damage resulting from any product modification, alteration or adjustment not authorized by Haier.

Adjustment of consumer operated controls as identified in the owner's manual.

Hoses, knobs, lint trays and all attachments, accessories and disposable parts.

Labor, service transportation, and shipping charges for the removal and replacement of defective parts beyond the initial 12-month period.

Damage from other than normal household use.

Any transportation and shipping charges.

THIS LIMITED WARRANTY IS GIVEN IN LIEU OF ALL OTHER WARRANTIES, EXPRESSED OR, INCLUDING THE WARRANTIES OF MERCHANTABILITY AND FITNESS FOR A PARTICULAR PURPOSE

The remedy provided in this warranty is exclusive and is granted in lieu of all other remedies.

This warranty does not cover incidental or consequential damages, so the above limitations may not apply to you. Some states do not allow limitations on how long an implied warranty lasts, so the above limitations may not apply to you.

This warranty gives you specific legal rights, and you may have other rights, which vary, from state to state.

Haier America
Wayne, NJ 07470

TABLE DES MATIÈRES

IMPORTANTES INSTRUCTIONS DE SÉCURITÉ	35
Sécheuse à gaz - Précautions à prendre	37
Précautions générales de sécurité	36
PIÈCES ET CARACTÉRISTIQUES	40
INSTRUCTIONS D'INSTALLATION	41
Outils nécessaires	42
Autres pièces nécessaires	42
Exigences d'emplacement.....	43
Spécifications de l'alimentation électrique et de l'alimentation en gaz	44
Spécifications du raccordement de l'alimentation en gaz	48
Spécifications de l'alimentation du brûleur.....	48
Spécifications du système d'évacuation.....	48
Résidence mobile – Spécifications supplémentaires	50
INSTRUCTIONS ÉTAPE PAR ÉTAPE	51
Étape 1 – Déballage de la sécheuse	51
Étape 2 – Pose d'un cordon d'alimentation électrique sur la sécheuse (sécheuse électrique uniquement).....	51
Étape 2 – Raccordement à une canalisation d'alimentation en gaz (sécheuse à gaz uniquement)	54
Étape 3 - Raccordement à un système d'évacuation	56
Étape 4 – Nivellement de la sécheuse	57
Étape 5 – Fin de l'installation	57
Étape 6 - Inversion de la porte (facultatif)	58
TABEAU DE COMMANDE ET CARACTÉRISTIQUES	59
INSTRUCTIONS D'UTILISATION	63
Étape 1 – Préparation et tri du linge	63
Étape 2 - Nettoyage du filtre à charpie	63
Étape 3 – Chargement de la sécheuse.....	64
Étape 4 – Démarrage de la sécheuse.....	64
INSTRUCTIONS DE MAINTENANCE UTILISATEUR	64
Nettoyage et entretien.....	65
Nettoyage du filtre à charpie	65
Retirer la charpie accumulée.....	66
Précautions à prendre avant un départ en vacances.....	66
Préparation avant un déménagement ou un entreposage	66
DÉPANNAGE.....	67
GARANTIE LIMITÉE.....	69

DOCUMENTS À CONSERVER

Merci d'avoir acheté ce produit Haier. Ce manuel d'utilisation vous aidera à obtenir la meilleure performance possible de votre nouvelle sécheuse.

Pour référence ultérieure, inscrire le numéro de plaque signalétique situé au dos de la sécheuse, ainsi que la date d'achat.

Pour faciliter l'obtention d'un service sous garantie, agraffer la preuve de la date d'achat à ce manuel.

Numéro de modèle

Numéro de série

Date d'achat

IMPORTANTES INSTRUCTIONS DE SÉCURITÉ

Votre sécurité et celle des autres est très importante.

Nous donnons de nombreux messages de sécurité importants dans ce manuel et sur votre appareil ménager. Assurez-vous de toujours lire tous les messages de sécurité et de vous y conformer.



Voici le symbole d'alerte de sécurité.

Ce symbole d'alerte de sécurité vous signale les dangers potentiels de décès et de blessures graves à vous et à d'autres. Tous les messages de sécurité suivront le symbole d'alerte de sécurité et le mot "DANGER," "AVERTISSEMENT" ou "ATTENTION."

Ces mots signifient :

⚠ DANGER

Une situation de danger imminent. Vous courez le risque d'un décès ou de blessures graves si vous ne suivez pas immédiatement les instructions.

⚠ AVERTISSEMENT

Une situation potentiellement dangereuse qui, si vous ne l'évitez pas, peut provoquer la mort ou des blessures graves.

⚠ ATTENTION

Une situation potentiellement dangereuse qui, si vous ne l'évitez pas, peut entraîner des blessures légères à modérées.

Tous les messages de sécurité vous diront quel est le danger potentiel et vous disent comment réduire le risque de blessure et ce qui peut se produire en cas de non-respect des instructions.

AVERTISSEMENT : Pour votre sécurité, il est important de respecter les informations fournies dans ce manuel pour minimiser les risques d'incendie ou d'explosion, ou pour éviter tout dommage matériel ou corporel ou encore tout décès.

- **Ne pas entreposer ou utiliser de l'essence ou tout autre vapeur ou liquide inflammable à proximité de cet appareil ou de tout autre appareil.**
- **QUE FAIRE EN CAS DE DÉTECTION D'UNE ODEUR DE GAZ :**
 - **Ne pas tenter d'allumer un quelconque appareil.**
 - **Ne toucher à aucun interrupteur électrique; n'utiliser aucun téléphone à l'intérieur du bâtiment.**
 - **Faire évacuer tous les occupants de la pièce, du bâtiment ou de la zone concernée.**
 - **Appeler immédiatement le fournisseur de gaz depuis le téléphone d'un voisin. Suivre les instructions du fournisseur de gaz.**
 - **Si le fournisseur de gaz n'est pas joignable, appeler les pompiers.**
- **L'installation et la mise en service doivent être réalisées par un installateur qualifié, une agence de service / entretien ou le fournisseur de gaz.**

⚠ AVERTISSEMENT

La loi de l'eau potable et des substances toxiques de la Californie oblige le Gouverneur de Californie à publier une liste des substances chimiques connues dans l'état de Californie comme causes de cancer, malformations congénitales ou sources d'autres risques pour la reproduction et oblige les sociétés à prévenir du danger lié aune exposition potentielle à ces substances.

Ce produit contient une substance chimique qui figure sur la liste des substances dangereuses en Californie et est connue pour être la cause de cancer, de malformations congénitales ou source d'autres risques pour la reproduction. Cet appareil électroménager peut provoquer une faible exposition à certaines de ces substances, y compris le benzène, le formaldéhyde, et le monoxyde de carbone.

Dans l'Etat du Massachusetts, les instructions d'installation suivantes sont applicables :

- Les travaux d'installation et réparation doivent être exécutés par un plombier ou tuyauteur qualifié ou licencié, ou par le personnel qualifié d'une entreprise licenciée par l'Etat du Massachusetts.
- Si une vanne à boisseau sphérique est utilisée, elle doit comporter une manette "T".
- Si un conduit de raccordement flexible est utilisé, sa longueur ne doit pas dépasser 3 pi.

AVERTISSEMENT

Afin de réduire le risque d'incendie, de choc électrique ou de blessures corporelles lors de l'utilisation de cet appareil, observer certaines précautions fondamentales, notamment :

REMARQUE : Cette sècheuse est conforme aux versions les plus récentes des normes ANSI Z21.5.1 ou ANSI/UL 2158 - CAN/CSA C22.2 N° 112-97 pour un USAGE DOMESTIQUE UNIQUEMENT. Cette sècheuse n'est pas recommandée pour un usage commercial, comme une utilisation dans un restaurant ou un institut de beauté.

- Lire toutes les instructions avant d'utiliser cet appareil.
- Avant d'être utilisé, cet appareil doit être correctement installé et placé dans la pièce, conformément aux instructions d'installation.
- Utiliser cet appareil uniquement dans le but auquel il est destiné et tel que décrit dans le présent manuel d'utilisation.
- Ne pas utiliser la sècheuse pour le séchage de vêtements dans un cadre commercial.

SÉCHEUSE À GAZ - PRÉCAUTIONS À PRENDRE

⚠ AVERTISSEMENT

Pour votre sécurité, il est important de respecter les informations fournies dans ce manuel pour minimiser les risques d'incendie ou d'explosion, ou pour éviter tout dommage matériel ou corporel ou encore tout décès.

IMPORTANT : L'installation de gaz doit être conforme aux codes locaux, ou en l'absence de ces codes, au National Fuel Gas Code, à la norme ANSI Z223.1/NFPA 54 ou au Code des installations pour gaz naturel ou propane, CSA B149.1.

- Les travaux d'installation doivent être exécutés par un plombier ou tuyauteur qualifié ou licencié, ou par le personnel qualifié d'une entreprise licenciée par l'État, la province ou la région dans lequel cet appareil est installé.
- Les matériaux combustibles, l'essence et autres vapeurs et liquides inflammables ne doivent pas être entreposés à proximité de la sècheuse.

PRÉCAUTIONS GÉNÉRALES DE SÉCURITÉ

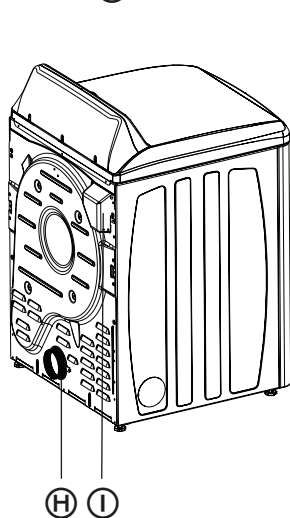
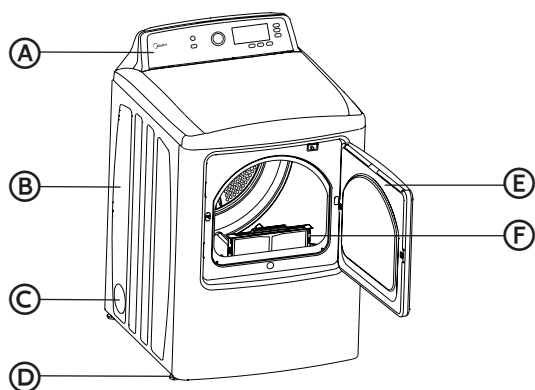
- La zone située autour de l'ouverture d'évacuation et les zones adjacentes doit être exempte de peluches et de poussière.
- Dégager l'emplacement de la sècheuse de façon à ce qu'il soit libre de tout élément susceptible d'entraver le débit d'air de combustion et de ventilation par le panneau à persiennes situé à l'arrière de la sècheuse.
- Une surveillance attentive s'impose lorsque cet appareil est utilisé par ou à proximité d'enfants. Ne pas laisser des enfants jouer avec l'appareil, ni jouer dessus ou à l'intérieur.
- Ne pas sécher d'articles précédemment nettoyés, trempés ou tachés avec de l'essence, des solvants pour nettoyage à sec ou d'autres substances inflammables explosives car ces substances dégagent des vapeurs qui pourraient s'enflammer ou exploser.
- Ne pas placer d'articles tachés d'huile de cuisson dans la sècheuse. Les articles ayant été au contact d'huile de cuisson peuvent provoquer une réaction chimique susceptible d'enflammer la charge de vêtements.
- Si certains articles ont été au contact de substances liquides ou solides inflammables, ils ne doivent pas être séchés dans la sècheuse avant que toute trace de liquide ou vapeur inflammable n'ait été éliminée.

- Ne pas accéder à l'intérieur de la sècheuse lorsque le tambour est en mouvement.
- Ne pas effectuer d'intervention non autorisée sur les commandes.
- Ne pas utiliser d'assouplissants pour tissu ou de produits visant à éliminer l'électricité statique à moins que cela ne soit recommandé par le fabricant de l'assouplissant pour tissu ou du produit.
- Ne pas utiliser de chaleur pour sécher des articles contenant du caoutchouc mousse ou des matières similaires.
- Nettoyer le filtre à peluches avant ou après chaque charge.
- L'intérieur de l'appareil et le conduit d'évacuation doivent être nettoyés régulièrement par un personnel d'entretien qualifié.
- Afin de réduire le risque de choc électrique, débrancher cet appareil de l'alimentation électrique avant d'effectuer un dépannage ou un nettoyage.
REMARQUE : Le fait de tourner le bouton de sélection de programme à la position "d'arrêt" ne permet PAS de déconnecter l'appareil de l'alimentation électrique.
- Ne jamais débrancher la sècheuse en tirant sur le cordon d'alimentation. Toujours saisir la fiche de branchement fermement pour l'extraire de la prise de courant.
- Ne pas tenter d'effectuer l'entretien, la réparation ou le remplacement d'une quelconque pièce de l'appareil, sauf si cette intervention est expressément recommandé(e) dans ce manuel d'utilisation ou dans les instructions de réparation fournies, que vous comprenez ces instructions et êtes capable de les exécuter.
- Retirer la porte du compartiment de séchage avant de jeter l'appareil ou de le rendre inutilisable.

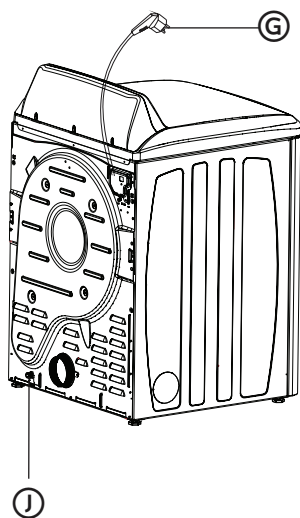
CONSERVER CES INSTRUCTIONS

USAGE DOMESTIQUE EXCLUSIF

PIÈCES ET CARACTÉRISTIQUES



Sécheuse électrique



Sécheuse à gaz

- Ⓐ Tableau de commande
- Ⓑ Caisse de la sécheuse
- Ⓒ Gauche ventilation Hole (pour l'option)
- Ⓓ Pieds de nivellement
- Ⓔ Porte de la sécheuse
- Ⓕ Filtre à charpie

- Ⓖ Cordon d'alimentation électrique (Pour sécheuse à gaz seulement)
- Ⓗ Sortie d'évacuation
- Ⓘ Boîte de câblage (séchoir électrique uniquement)
- Ⓙ Canalisation d'arrivée de gaz

⚠ AVERTISSEMENT

Risque d'incendie

L'installation de la sècheuse à linge doit être effectuée par un installateur qualifié.

Installer la sècheuse à linge conformément aux instructions du fabricant et aux codes locaux.

Ne pas installer de sècheuse à linge avec des matériaux d'évacuation en plastique souple. Si un conduit métallique souple (de type aluminium) est installé, celui-ci doit être d'un type spécifique identifié par le fabricant de l'appareil et pouvant être utilisé avec les sècheuses à linge. Les matériaux d'évacuation souples peuvent s'affaisser, s'écraser facilement et retenir la charpie. Ces situations obstrueront la circulation de l'air de la sècheuse à linge et augmenteront le risque d'incendie.

Pour réduire le risque de blessure grave ou de décès, suivre toutes les instructions d'installation.

IMPORTANT : Pour mettre l'ancienne sècheuse à linge au rebut ou pour l'entreposer, enlever la porte.

⚠ AVERTISSEMENT

Risque de suffoquer

Avant de jeter votre ancien appareil, retirer la porte ou le couvercle de façon à ce que les enfants ne puissent pas se cacher ou être coincés dans l'ancien appareil.

Le non-respect de cette instruction peut causer un décès ou des lésions cérébrales.

IMPORTANT : La sècheuse, une fois installée, doit être correctement reliée à la terre conformément aux codes locaux en vigueur ou, en l'absence de tels codes, au Code national de l'électricité, ANSI/NFPA 70 ou au Code canadien de l'électricité, CSA C22.1.

OUTILS NÉCESSAIRES

- Tournevis Phillips
 - Tournevis à lame plate
 - Pince multiprise réglable
 - Clé plate de 1/2"
 - Niveau
 - Mètre-ruban (12 pi [3,7 m] min.)
 - Ruban adhésif
 - Couteau de coupe
- Pour l'installation d'appareils à gaz uniquement :**
- Clé à tuyauterie
 - 2 clés à molette

AUTRES PIÈCES NÉCESSAIRES

- Conduit d'évacuation métallique rigide ou flexible de 4" (10,2 cm)
- Brides de conduit
- Ruban adhésif pour conduit
- Cordon d'alimentation électrique (sécheuse électrique utilisée aux É.-U. uniquement)
 - Il est nécessaire d'acheter un ensemble de cordon d'alimentation électrique pour que l'appareil soit en conformité avec les codes locaux régissant les installations électriques. La sécheuse doit utiliser un cordon d'alimentation électrique à 3 ou 4 conducteurs NEMA 14-30 ou 10-30 de type SRDT ou ST (en fonction des exigences) de 120/240 VCA minimum et 30 A, avec conducteurs de grosseur 10 AWG à pointes relevées ou à connecteurs en circuit fermé, et approuvé pour utilisation avec les sécheuses à linge.
 - Serre-câble homologué UL
- Pièces de raccordement au gaz (sécheuse à gaz uniquement)
 - Coude NPT de 3/8"
 - Raccord conique NPT de 3/8"
 - Connecteur de gaz flexible de 3/8"
 - Composé d'étanchéité pour tuyauteries
- Trousse d'installation pour résidence mobile (sécheuse à gaz pour résidence mobile uniquement)

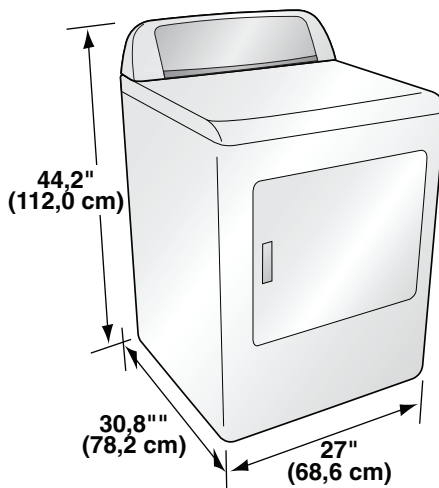
EXIGENCES D'EMPLACEMENT

⚠ AVERTISSEMENT

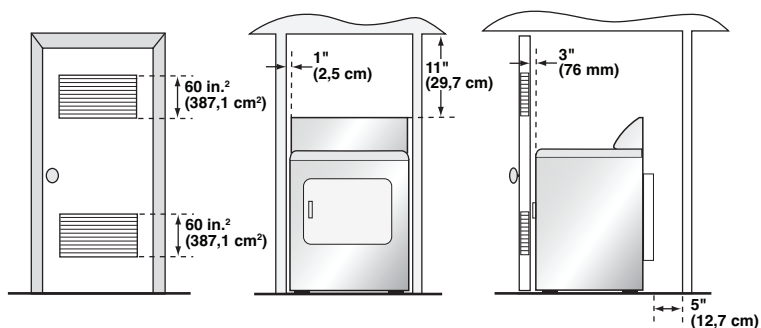
Ne pas installer la sècheuse dans un endroit où sont conservées ou entreposées de l'essence ou d'autres substances inflammables. Si la sècheuse est installée dans un garage, elle doit se trouver au moins à 18 po (45,7 cm) au-dessus du plancher. Le non-respect de ces instructions peut entraîner un décès, une explosion, un incendie ou des brûlures.

- La sècheuse doit être installée sur un plancher résistant. Un plancher en béton est idéal.
- Le plancher doit être de niveau avec une pente maximale de 1" (2,5 cm) sous l'ensemble de la sècheuse.
- L'appareil doit être placé dans un emplacement protégé de la lumière directe du soleil et de sources de chaleur comme des radiateurs, des plinthes électriques ou des appareils de cuisson.
- Ne pas installer sur de la moquette.
- L'emplacement doit comporter les prises électriques et robinets de gaz adaptés. Voir la section "Spécifications de l'alimentation électrique et de l'alimentation en gaz" pour plus de détails.
- Ne pas installer la sècheuse dans une zone où elle sera en contact avec des rideaux, une moquette ou un tapis épais, ou de tout autre matériau susceptible d'obstruer le flux d'air de combustion et de ventilation.
- Ne pas installer ou entreposer cet appareil dans un endroit où il sera exposé à l'eau et/ou aux intempéries.

DIMENSIONS DE LA SÈCHEUSE



SPÉCIFICATIONS POUR ALCÔVE OU PLACARD



DÉGAGEMENTS MINIMUMS

- Les dimensions indiquées correspondent aux dégagements minimaux nécessaires.
- Il faut laisser un dégagement de chaque côté de la sècheuse afin d'éviter tout transfert de bruit.
- Il faut laisser un dégagement 5 "(12,7 cm) à l'arrière de la sècheuse pour permettre le passage du conduit d'évacuation.

AUTRES SPÉCIFICATIONS

- L'évacuation de cette sècheuse doit se faire à l'extérieur.
- Ne pas installer cette sècheuse dans un placard avec porte pleine.
- La porte du placard doit comporter des persiennes ou des ouvertures d'aération, avec un minimum combiné de 72 po² (465 cm²) avec un dégagement minimum de 3" (76 mm) en haut et en bas. La circulation de l'air ne doit être entravée en aucune manière.
- Aucun autre appareil fonctionnant à base de combustible ne doit être installé dans le même placard que la sècheuse à gaz.

SPÉCIFICATIONS DE L'ALIMENTATION ÉLECTRIQUE ET DE L'ALIMENTATION EN GAZ

INSTRUCTIONS DE LIAISON À LA TERRE :

Cet appareil doit être relié à la terre. En cas d'anomalie de fonctionnement ou de panne, la liaison à la terre réduira le risque de choc électrique en offrant au courant électrique un itinéraire d'évacuation de moindre résistance. Cet appareil est doté d'un cordon électrique comportant un conducteur de mise à la terre d'équipement et une fiche de liaison à la terre. La fiche de raccordement doit être branchée sur une prise de courant appropriée qui soit bien installée et reliée à la terre conformément à tous les codes et règlements locaux.

⚠ AVERTISSEMENT

Un raccordement inapproprié du conducteur de liaison à la terre d'équipement peut causer un risque de choc électrique. En cas de doute concernant la qualité de la liaison à la terre de l'appareil, consulter un électricien qualifié, un agent ou personnel d'entretien.

SÉCHEUSE ÉLECTRIQUE (É.-U. UNIQUEMENT)

⚠ AVERTISSEMENT

La sècheuse doit être branchée à une prise électrique à 3 ou 4 fils, correctement reliée à la terre et délivrant une tension monophasée CA uniquement de 120/240 V (ou 120/208 V) à 60 Hz, reliée à un circuit individuel protégé par un fusible temporisé ou un disjoncteur de 30 A. Ne pas faire fonctionner une laveuse et une sècheuse sur un même circuit.

REMARQUE : L'alimentation électrique de la sècheuse doit être conforme aux codes et règlements locaux et à la version la plus récente du Code national de l'électricité, ANSI/NFPA 70.

- Si l'alimentation électrique disponible à l'emplacement d'installation prévu pour la sècheuse ne répond pas aux critères ci-dessus, contacter un électricien agréé.
- Les temps de séchage d'une sècheuse fonctionnant sur un circuit d'alimentation de 208 V seront plus longs que ceux d'une sècheuse fonctionnant sur un circuit de 240 V.
- La sècheuse n'est pas équipée de cordon d'alimentation électrique. Il est nécessaire d'acheter séparément une trousse de cordon d'alimentation conforme aux codes locaux régissant les installations électriques. La sècheuse doit utiliser un cordon d'alimentation électrique à 3 ou 4 conducteurs NEMA 14-30 ou 10-30 de type SRDT ou ST (comme nécessaire) de 120/240 VCA minimum et 30 A, terminé par 3 cosses rondes ou en fourche à pointes relevées et approuvé pour utilisation avec les sècheuses à linge.
- Un serre-câble homologué UL doit être fixé à la sècheuse pour maintenir le cordon d'alimentation électrique.
- Ne pas utiliser de prise secteur à conducteurs en aluminium avec un cordon et une fiche d'alimentation électrique à conducteurs en cuivre (ou inversement). Le raccordement correct comprend un cordon d'alimentation électrique à conducteurs en cuivre et une prise secteur à conducteurs en cuivre.
- La prise électrique doit être située de façon à ce que le cordon d'alimentation électrique soit accessible une fois la sècheuse installée.

SÉCHEUSE ÉLECTRIQUE (CANADA UNIQUEMENT)

AVERTISSEMENT

La sècheuse doit être branchée à une prise électrique à 4 fils, correctement reliée à la terre et délivrant une tension monophasée CA uniquement de 120/240 V à 60 Hz, reliée à un circuit individuel protégé par un fusible temporisé ou un disjoncteur de 30 A. Ne pas faire fonctionner une laveuse et une sècheuse sur un même circuit.

REMARQUE : L'alimentation électrique de la sècheuse doit être conforme aux codes et règlements locaux et à la dernière édition de la norme CSA C22.1 du Code canadien de l'électricité, première partie.

- Si l'alimentation électrique disponible à l'emplacement d'installation prévu pour la sècheuse ne répond pas aux critères ci-dessus, contacter un électricien agréé.
- Tous les modèles canadiens sont livrés avec le cordon d'alimentation fourni. Le cordon d'alimentation doit être branché dans une prise 30 ampères. Au Canada, vous ne pouvez pas convertir un sèche-linge à 208 volts.
- La prise électrique doit être située de façon à ce que le cordon d'alimentation électrique soit accessible une fois la sècheuse installée.

SÉCHEUSE À GAZ

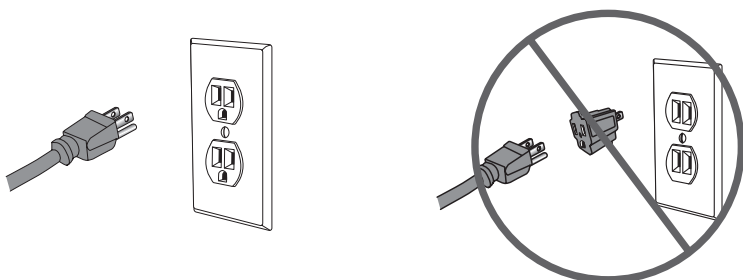
SPECIFICATIONS DE L'ALIMENTATION ÉLECTRIQUE

AVERTISSEMENT

La sècheuse à gaz doit être branchée à une prise électrique à 3 fils, correctement reliée à la terre, délivrant une tension monophasée CA uniquement de 120 V à 60 Hz et protégée par fusible temporisé ou un disjoncteur de 15 A.

- Cette sècheuse comporte un cordon d'alimentation électrique à 3 broches. Ne pas couper ou ôter la broche de terre du cordon d'alimentation électrique.
- Le cordon d'alimentation électrique doit être branché sur une prise de courant de configuration correspondante, à 3 broches, reliée à la terre et installée conformément aux codes et règlements locaux. En l'absence de prise de courant de configuration correspondante, contacter un électricien agréé pour installer une prise adaptée.
- En cas de doute sur la qualité de la liaison à la terre de la prise, consulter un électricien agréé.

- Ne pas utiliser d'adaptateur à trois broches.
- Ne pas utiliser de rallonge.



SPÉCIFICATIONS DE L'ALIMENTATION EN GAZ

REMARQUE : L'alimentation en gaz de la sècheuse doit être conforme aux codes et règlements locaux et à la dernière édition de la norme ANSI Z223.1 du National Fuel Gas Code ou CAN/CGA B149.1 au Canada.

Gaz naturel

- La sècheuse est équipée pour une alimentation au gaz naturel.

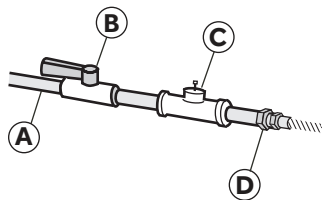
Gaz propane

- La sècheuse peut être convertie pour une alimentation au gaz propane.
- L'opération de conversion au gaz propane doit être exécutée par un technicien qualifié.

Canalisation d'alimentation en gaz

- La canalisation d'alimentation en gaz doit avoir un diamètre de $\frac{1}{2}$ " (1,3 cm) et comporter un robinet d'arrêt individuel manuel installé à 6 pi (183 cm) maximum de la sècheuse, conformément au National Fuel Gas Code, ANSI Z223.1/NFPA 54 ou au Canada, au Code des installations pour gaz naturel ou propane, B149.1 pour le Canada.
- Le robinet d'arrêt doit être facilement accessible pour l'ouverture et la fermeture.
- Un connecteur obturé (filetage NPT de $\frac{1}{8}$ " ou plus) accessible pour le raccordement de l'instrument de mesure doit être installé immédiatement en amont du raccord d'alimentation en gaz de la sècheuse.
- La canalisation d'alimentation doit se terminer par un raccord conique NPT de $\frac{3}{8}$ ".

- (A)** Canalisation d'alimentation en gaz NPT de $\frac{1}{2}$ "
- (B)** Robinet d'arrêt du gaz
- (C)** Connecteur obturé (filetage NPT de $\frac{1}{8}$ " ou plus)
- (D)** Raccord conique NPT $\frac{3}{8}$ "



SPÉCIFICATIONS DU RACCORDEMENT DE L'ALIMENTATION EN GAZ

Cette sècheuse doit être raccordée à la canalisation d'alimentation en gaz à l'aide d'un connecteur de gaz flexible homologué qui respecte les normes applicables aux connecteurs utilisés avec des appareils ménagers à gaz, ANSI Z21.24 ou CSA 6.10.

Raccord à gaz en acier inoxydable flexible :

- Si les codes locaux le permettent, utiliser un raccord neuf en acier inoxydable flexible (conception homologuée par l'American Gas Association ou par CSA International) pour raccorder la sècheuse à la canalisation rigide d'alimentation en gaz. Selon le besoin, utiliser un coude et un adaptateur de $\frac{3}{8}$ " x tuyau NPT de $\frac{3}{8}$ " entre le raccord de gaz flexible et la canalisation de gaz de la sècheuse, pour éviter toute déformation.

SPÉCIFICATIONS DE L'ALIMENTATION DU BRÛLEUR

Altitudes inférieures ou égales à 10 000 pi (3 048 m) :

- La conception de cette sècheuse a été homologuée par CSA International pour une utilisation jusqu'à une altitude de 10 000 pieds (3 048 m) pour le débit thermique indiqué sur la plaque signalétique du numéro de modèle et de série. Aucun réglage du brûleur n'est nécessaire lorsque la sècheuse est utilisée à une altitude inférieure à cette valeur maximale.

Altitudes supérieures à 10 000 pieds (3 048 m) :

- Si la sècheuse doit être utilisée à une altitude supérieure à 10 000 pieds (3 048 m), il faut réduire de 4 % le débit thermique du brûleur indiqué sur la plaque signalétique du numéro de modèle et de série pour chaque tranche de 1 000 pieds (305 m) d'augmentation de l'altitude.

Test de pression de la canalisation de gaz :

- La sècheuse doit être déconnectée du système de canalisations d'alimentation en gaz lors de tout test de pression à des pressions supérieures à $\frac{1}{2}$ lb/po² (3,5 kPa).

SPÉCIFICATIONS DU SYSTÈME D'ÉVACUATION

⚠ AVERTISSEMENT

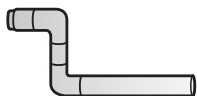
Cette section décrit les critères à respecter pour assurer la sécurité et l'efficacité du système d'évacuation. Le non-respect de ces instructions peut entraîner une mauvaise performance de la sècheuse, un dommage à l'appareil ou un risque d'incendie.

IMPORTANT : L'évacuation de la sècheuse doit se faire à l'extérieur.

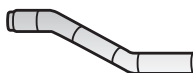
- L'évacuation de la sècheuse ne doit pas se faire dans un conduit d'évacuation de gaz, une cheminée, un mur, un plafond, un grenier, un vide sanitaire ou un vide de construction.

CONDUITS

- Si le système d'évacuation existant est composé de conduits flexibles en plastique ou en papier métallisé, les remplacer par des conduits métalliques rigides.
- Utiliser uniquement des conduits métalliques rigides de 4" (10,2 cm) de diamètre.
- Pour réaliser des changements de direction avec les conduits, utiliser des coudes à 45° plutôt qu'à 90°. Cela améliore la circulation de l'air et peut réduire l'accumulation de charpie dans le système d'évacuation.



90° - Acceptable



45° - Idéal

- Ne pas dépasser la longueur de conduits par rapport au nombre de coudes indiqué dans le tableau ci-dessous. Cela pourrait entraîner une accumulation de charpie, augmenter la durée de séchage et créer un risque d'incendie.
- Deux coudes à 45° produisent le même freinage qu'un coude à 90°.

Longueur maximale recommandée du système d'évacuation		
Types de bouches d'évacuation		
	Recommandé	Utiliser uniquement pour les circuits courts
Nombre de coudes à 90°	Métallique rigide	Métallique rigide
0	90 pieds	60 pieds
1	60 pieds	45 pieds
2	45 pieds	35 pieds
3	35 pieds	25 pieds

- Toutes les jointures doivent être étanches afin d'éviter toute fuite d'air. L'extrémité mâle de chaque section de conduit doit être orientée dans la direction opposée à la sècheuse.
- Utiliser des brides ou du ruban adhésif pour conduit pour sceller toutes les jointures. Ne pas utiliser de vis ou autres dispositifs de fixation qui se prolongeraient à l'intérieur du conduit pour sécuriser la jointure car cela peut retenir la charpie.



Bride

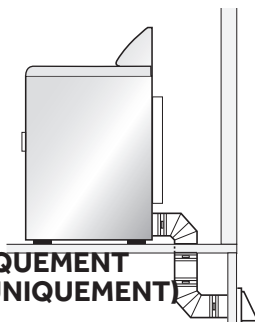
- Éviter d'acheminer le système dans une zone non chauffée car cela entraînera la formation de condensation à l'intérieur du conduit et accélérera le rythme d'accumulation de la charpie.
- Éviter de faire passer le circuit d'évacuation verticalement par un toit pour éviter tout risque de courants d'air descendants susceptibles d'entraver la circulation d'air.
- Éviter que le système d'évacuation ne s'affaisse, ne soit compressé ou coincé car cela réduira la circulation de l'air et affectera la performance de la sècheuse.
- Ne pas grillager l'extrémité du circuit d'évacuation. En s'accumulant, la charpie finira par obstruer le grillage. Utiliser une bouche d'évacuation homologuée à l'extrémité du conduit à l'extérieur.
- La longueur totale du conduit métallique flexible ne doit pas excéder 2,4 m (7,8 pi).

BOUCHE D'ÉVACUATION

- Utiliser une bouche d'évacuation homologuée à clapet oscillant qui s'ouvre lorsque la sècheuse est en fonctionnement. Lorsque la sècheuse s'arrête, le clapet se ferme automatiquement pour éviter les courants d'air et l'entrée de rongeurs et d'insectes.
- Les clapets à persiennes ou de type boîte sont recommandés. Les clapets inclinés peuvent être utilisés, mais uniquement pour des circuits courts. Voir le tableau "Longueur maximale recommandée du système d'évacuation" pour plus d'information.
- Afin d'éviter de réduire la circulation de l'air, maintenir un dégagement minimal de 12" (30,5 cm) entre le clapet d'évacuation et le plancher ou tout autre obstacle éventuel.

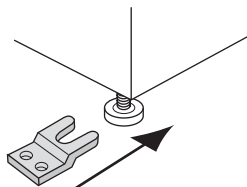
RÉSIDENCE MOBILE – SPÉCIFICATIONS SUPPLÉMENTAIRES

- L'installation doit satisfaire les critères de la version en cours de validité du Manufactured Home Construction and Safety Standard, Titre 24 CFR, partie 3280 ou de la Norme canadienne des habitations préfabriquées, CAN/CSA-Z240 MH.
- Des dispositions particulières doivent être prises pour la circulation de l'air d'appoint extérieur. L'ouverture d'entrée d'air doit être au moins deux fois plus grande que la sortie d'évacuation de la sècheuse.
- Si l'évacuation d'air de la sècheuse se fait par le plancher dans un espace confiné sous la résidence mobile, le circuit d'évacuation doit se terminer à l'extérieur de cet espace et la sortie du conduit doit être solidement fixée à la structure de la résidence mobile.



SÈCHEUSE À GAZ UNIQUEMENT (RÉSIDENCE MOBILE UNIQUEMENT)

- La sècheuse doit être fixée au plancher à l'aide d'une trousse d'installation pour résidence mobile. Suivre les instructions fournies avec la trousse.



INSTRUCTIONS ÉTAPE PAR ÉTAPE

INSTALLATION DE LA SÈCHEUSE

Nous recommandons que l'installation de votre nouvelle sècheuse soit réalisée par un technicien en électroménager qualifié. Si on pense être capable d'installer la sècheuse, lire soigneusement les instructions d'installation avant de procéder à l'installation.

MISE EN GARDE : Si l'utilisateur n'est pas certain que la sècheuse soit correctement installée après avoir suivi ces étapes, contacter un technicien en électroménager qualifié.

ÉTAPE 1 – DÉBALLAGE DE LA SÈCHEUSE

1. Enlever tous les matériaux d'emballage. Cela comprend la base en polystyrène et tous les adhésifs maintenant les accessoires de la sècheuse en place, à la fois à l'intérieur et à l'extérieur.
2. Inspecter la sècheuse et retirer tout emballage, ruban adhésif ou document resté sur l'appareil avant de l'utiliser.

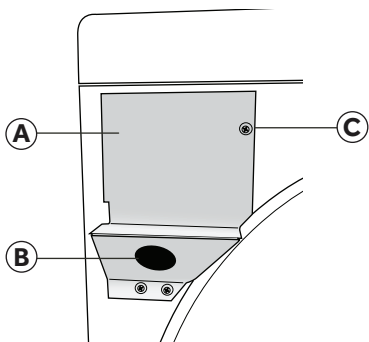
⚠ AVERTISSEMENT

Afin d'éviter tout risque d'étouffement, conserver le sac en plastique et autres matériaux d'emballage hors de portée des bébés et des enfants. Ne pas utiliser ce sac dans des berceaux, poussettes ou parcs pour enfants. Le sac en plastique peut bloquer les orifices du nez et de la bouche et empêcher la respiration. Ce sac n'est pas un jouet.

ÉTAPE 2 – POSE D'UN CORDON D'ALIMENTATION ÉLECTRIQUE SUR LA SÈCHEUSE (SÈCHEUSE ÉLECTRIQUE UNIQUEMENT)

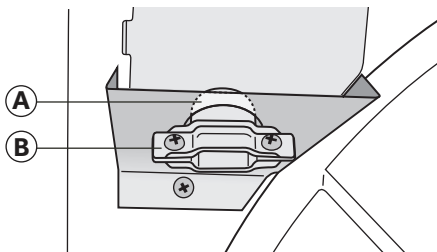
1. Ôter la vis fixant le couvercle de l'ouverture d'accès du boîtier de connexion, situé dans le coin supérieur gauche de l'arrière de la sècheuse.

- Ⓐ Couvercle de l'ouverture d'accès du boîtier de connexion
- Ⓑ Trou dans le support de montage pour serre-câble
- Ⓒ Vis du couvercle de l'ouverture d'accès



2. Insérer un serre-câble homologué UL dans le trou du support de montage. Positionner le serre-câble de façon à ce qu'un onglet soit orienté vers le haut et l'autre vers le bas. Serrer les vis du serre-câble juste assez pour maintenir ensemble les deux moitiés.

- Ⓐ Onglet
- Ⓑ Serre-câble



3. Insérer un cordon d'alimentation électrique dans le serre-câble. Vérifier que la gaine d'isolement du cordon d'alimentation électrique se glisse à l'intérieur du serre-câble.
4. Pour le raccordement d'un cordon d'alimentation électrique à 4 conducteurs, suivre les instructions de la partie A. Pour le raccordement d'un cordon d'alimentation à 3 conducteurs, suivre les instructions de la partie B.

4 fils (recommandé) si votre domicile est équipé d'une prise secteur à 4 conducteurs (NEMA 14-30 type SRDT ou ST) :

3 fils (en l'absence de circuit 4 fils) si votre domicile est équipé d'une prise secteur à 3 conducteurs (NEMA 10-30 type SRDT) :

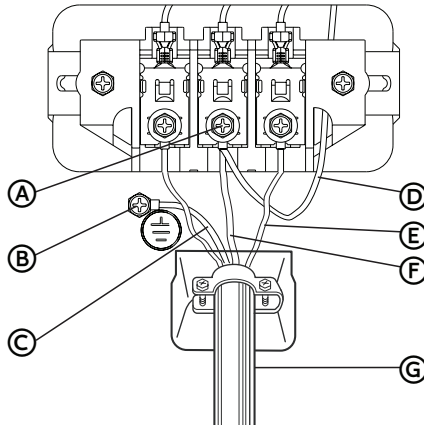


MISE EN GARDE : Un cordon à 4 conducteurs doit être utilisé lorsque l'appareil est installé dans un lieu où la liaison à la terre par le conducteur neutre est interdite. Il est interdit de relier l'appareil à la terre par l'intermédiaire du conducteur neutre dans les cas suivants : (1) nouvelle installation sur circuit de dérivation, (2) résidence mobile, (3) véhicule de loisirs, et (4) juridictions dans lesquelles le code local interdit la liaison à la terre par l'intermédiaire du conducteur neutre.

5. Réinstaller le couvercle du boîtier de connexion.

6. Veiller à ce qu'aucun conducteur ne touche le tambour à l'intérieur de la caisse de la sècheuse.
7. Serrer les vis du serre-câble.

PARTIE A – CORDON D'ALIMENTATION ÉLECTRIQUE À 4 CONDUCTEURS

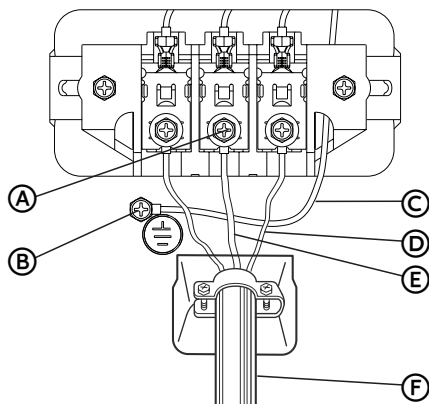


- | | |
|---|--|
| <ul style="list-style-type: none"> A Vis du boîtier de connexion B Vis de liaison à la terre (verte) C Conducteur de liaison à la terre du cordon d'alimentation électrique (vert) D Conducteur de liaison du neutre à la terre (blanc) | <ul style="list-style-type: none"> E Conducteurs de ligne du cordon d'alimentation électrique (un rouge, un noir) F Conducteur neutre du cordon d'alimentation électrique (blanc) G Cordon d'alimentation électrique |
|---|--|

- A1.** Fixer le conducteur de liaison à la terre du cordon d'alimentation électrique (vert) à la caisse de la sècheuse au moyen de la vis verte de liaison à la terre. Bien serrer la vis.
- A2.** Fixer le conducteur neutre (blanc) et le cavalier de terrain neutre (blanc) du cordon d'alimentation électrique au moyen de la vis centrale du boîtier de connexion. Bien serrer la vis.
- A3.** Fixer chacun des 2 conducteurs restants du cordon d'alimentation électrique (rouge et noir) au moyen des vis les plus à l'extérieur du boîtier de connexion. Fixer un conducteur à chaque boîtier de connexion comme montré sur le schéma. Bien serrer les deux vis.

IMPORTANT : Ne pas plier excessivement les conducteurs et ne pas les sertir aux connexions.

PARTIE B – CORDON D'ALIMENTATION 3 FILS



- A** Vis du boîtier de connexion
- B** Vis de liaison à la terre (verte)
- C** Conducteur de liaison du neutre à la terre (blanc)
- D** Conducteurs de ligne du cordon d'alimentation électrique (un rouge, un noir)
- E** Conducteur neutre du cordon d'alimentation électrique (blanc)
- F** Cordon d'alimentation électrique

- B1.** Fixer le conducteur neutre (blanc) du cordon d'alimentation électrique à la vis centrale du boîtier de connexion. Bien serrer la vis.
- B2.** Fixer chacun des 2 conducteurs restants du cordon d'alimentation électrique (rouge et noir) au moyen des vis les plus à l'extérieur du boîtier de connexion. Fixer un conducteur à chaque boîtier de connexion comme montré sur le schéma. Bien serrer les deux vis.
- B3.** Fixez le fil du conducteur neutre du cordon d'alimentation électrique à l'armoire avec la vis de liaison à la terre verte. Serrer la vis.

IMPORTANT : Ne pas plier excessivement les conducteurs et ne pas les sertir aux connexions.

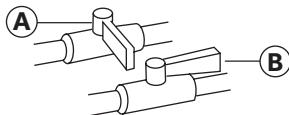
ÉTAPE 2 – RACCORDEMENT À UNE CANALISATION D'ALIMENTATION EN GAZ (SÈCHEUSE À GAZ UNIQUEMENT)

REMARQUE : Ne pas raccorder la sècheuse à une canalisation de gaz propane sans convertir d'abord la sècheuse à l'aide d'une trousse de conversion. Une trousse de conversion au gaz propane doit être installée par un technicien qualifié.

REMARQUE : Appliquer un composé d'étanchéité des tuyauteries résistant à l'action du gaz propane sur tous les filetages mâles. Ne pas utiliser de ruban adhésif pour tuyauterie.

- 1.** Fermer l'alimentation en gaz en plaçant le robinet d'arrêt en position fermée.

- A** Robinet fermé
- B** Robinet ouvert

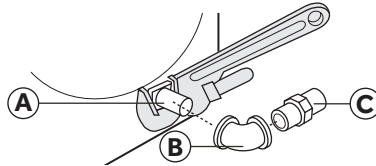


- 2.** Déconnecter et jeter l'ancien connecteur de gaz flexible. Remplacer l'ancien connecteur par un connecteur de gaz flexible neuf homologué CSA (AGA).

- Retirer le capuchon d'expédition de la canalisation d'arrivée de gaz situé à l'arrière de la sècheuse.
- Raccorder un coude NPT $\frac{3}{8}$ " à la canalisation d'arrivée de gaz sur la sècheuse. Raccorder ensuite un adaptateur conique au coude.

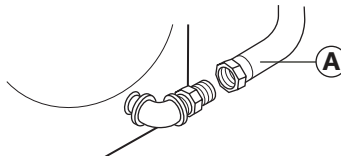
IMPORTANT : Utiliser une clé à tuyauterie pour empêcher la canalisation d'arrivée de gaz de la sècheuse de se tordre.

- (A) Canalisation d'arrivée de gaz sur la sècheuse
- (B) Coude NPT de $\frac{3}{8}$ "
- (C) Adaptateur conique NPT de $\frac{3}{8}$ "

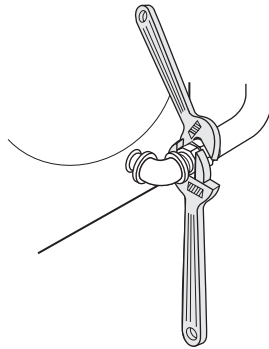


- Raccorder la sècheuse à la canalisation d'alimentation en gaz avec un connecteur de gaz flexible.

- (A) Connecteur de gaz flexible



- Serrer le connecteur de gaz flexible à l'aide de deux clés à molette.



- Ouvrir l'alimentation en gaz en plaçant le robinet d'arrêt en position ouverte. Le robinet est ouvert lorsque la poignée est parallèle au conduit d'alimentation en gaz.
- Vérifier qu'aucun raccordement ne présente de fuite en les badigeonnant d'une solution de détection des fuites non corrosive. L'apparition de bulles indique la présence d'une fuite. Si une fuite est détectée, fermer le robinet d'arrêt, resserrer la jointure, ouvrir le robinet d'arrêt puis contrôler à nouveau les raccordements.

⚠ AVERTISSEMENT

Ne jamais effectuer de test de détection de fuite de gaz avec une flamme nue.

ÉTAPE 3 - RACCORDEMENT À UN SYSTÈME D'ÉVACUATION

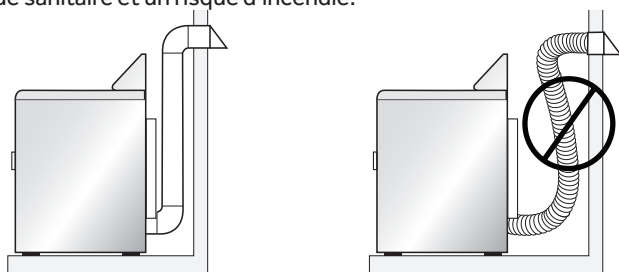
⚠ AVERTISSEMENT

Pour réduire le risque d'incendie, cette sècheuse doit évacuer l'air à l'extérieur.

1. Vérifier que le système d'évacuation n'est pas obstrué par une accumulation de charpie avant de raccorder la sècheuse.
2. Utiliser des conduits métalliques rigides ou flexibles de 4" (102 mm) pour raccorder la sortie d'évacuation de la sècheuse au système d'évacuation.
3. Utiliser des brides pour sceller toutes les jointures. Les conduits d'évacuation ne doivent pas être connectés avec des vis ou tout autre dispositif de serrage qui se prolonge à l'intérieur du conduit.

REMARQUES :

- Ne pas utiliser de conduit en papier métallisé ou en plastique flexible. Cela pourrait entraîner une accumulation de charpie à l'intérieur des conduits, réduire la circulation de l'air et créer un risque d'incendie. Une circulation de l'air restreinte augmentera les durées de séchage.
- L'évacuation de la sècheuse ne doit pas se faire dans une cheminée, un mur, un plafond, un grenier, un vide sanitaire ou un vide de construction.
- L'évacuation de la sècheuse doit se faire à l'extérieur. Si l'évacuation de la sècheuse ne se fait pas à l'extérieur, de la charpie fine sera évacuée dans la buanderie. Une accumulation de charpie dans le domicile peut représenter un risque sanitaire et un risque d'incendie.

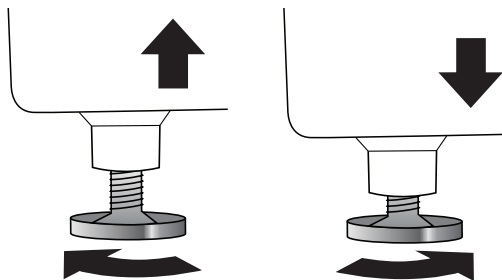


ÉTAPE 4 – NIVELLEMENT DE LA SÉCHEUSE

1. Installer la sècheuse à son emplacement final. Veiller à ne pas écraser ni déformer le conduit d'évacuation. Vérifier que les quatre pieds sont en contact ferme avec le plancher et que la sècheuse repose solidement dessus.

REMARQUE : Pour une sècheuse à gaz, vérifier que la canalisation de gaz flexible n'est pas déformée.

2. À l'aide d'un niveau, vérifier que la sècheuse est d'aplomb transversalement et d'avant en arrière.
3. Si la sècheuse n'est pas d'aplomb, ajuster les pieds de nivellement. Tourner les pieds dans le sens horaire pour les déployer (et relever la sècheuse) ou antihoraire pour les rétracter (et abaisser la sècheuse).



ÉTAPE 5 – FIN DE L'INSTALLATION

1. Brancher le cordon d'alimentation électrique de la sècheuse à une prise de courant adéquate.
2. Restaurer l'alimentation électrique au niveau de la prise. Vérifier que le disjoncteur est activé.
3. Jeter/recycler tous les matériaux d'emballage.
4. S'assurer que l'espace autour de la sècheuse est propre et exempt de matériaux combustibles, essence et autres vapeurs inflammables. Veiller aussi à ce qu'aucun élément (boîtes, vêtements, etc.) n'entrave la circulation d'air de combustion et de ventilation par le panneau à persiennes situé à l'arrière de la sècheuse.
5. Tester le fonctionnement de la sècheuse en sélectionnant un programme minuté de séchage à l'air chaud. Voir la section "Instructions d'utilisation".

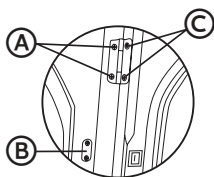
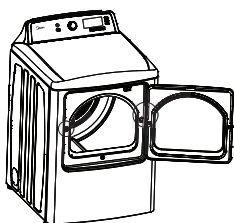
REMARQUE : Pour les sècheuses à gaz, il est impératif de purger la canalisation de gaz avant d'allumer le brûleur. Si le brûleur ne s'allume pas en 45 secondes maximum lors de la première mise en marche de la sècheuse, l'interrupteur de sécurité éteint le brûleur. Si cela se produit, éteindre la sècheuse et attendre 5 minutes avant de réessayer d'allumer le brûleur.

ÉTAPE 6 - INVERSION DE LA PORTE (FACULTATIF)

La porte de votre sècheuse est conçue pour s'ouvrir de (gauche à droite). Suivre les instructions suivantes pour inverser le sens d'ouverture de la porte afin que celle-ci s'ouvre de (droite à gauche).

REMARQUE : Différents types de vis sont utilisés pour la porte et la caisse. Les vis à tête plate sont utilisées pour les charnières de porte.

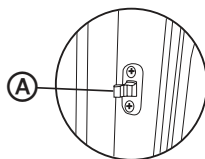
1. Débrancher le cordon d'alimentation.
2. Retirer les quatre vis fixant chaque charnière à la porte et à la caisse.



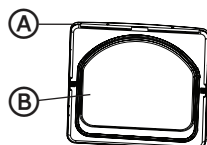
- A** Vis du caisse
- B** Couvrelet de casier
- C** Vis de la porte

REMARQUE : S'assurer de soutenir la porte de la sècheuse lorsque l'on retire les vis.

3. Mettre de côté la porte de la sècheuse. Retirer les vis de la plaque du verrou sur le côté droit de la caisse de la sècheuse et retirer les vis du verrou sur le côté gauche de la caisse de la sècheuse.
4. Déplacer le verrou sur le côté droit de la caisse, et déplacer la plaque du verrou sur le côté gauche de la caisse, puis les réinstaller avec les vis retirées précédemment.
5. Retirer les vis attachant le panneau interne de la porte au panneau externe de la porte.
6. Retirer le panneau interne de la porte du panneau externe de la porte.
7. Faire pivoter le panneau interne de la porte à 180°, puis replacer le panneau interne de la porte dans le panneau externe de la porte.
8. Fixer le panneau interne de la porte au panneau externe de la porte à l'aide des vis retirées à l'étape 5.
9. Fixer la porte de la sècheuse à la caisse de la sècheuse à l'aide des vis retirées à l'étape 2.
10. Avec la poignée sur le côté droit, fixer la porte de la sècheuse aux charnières.



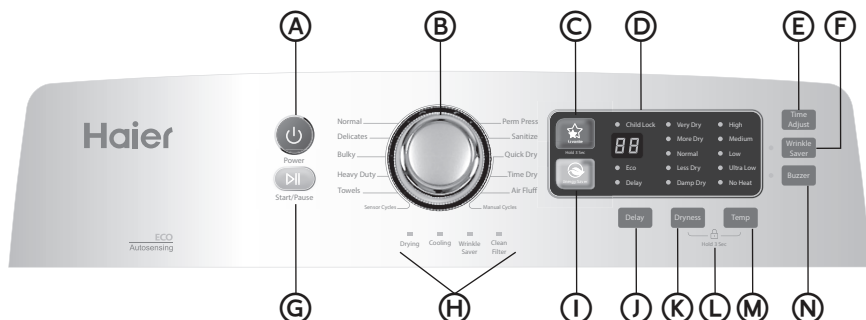
- A** Bloquer



- A** Panneau externe de la porte
- B** Panneau interne de la porte

TABLEAU DE COMMANDE ET CARACTÉRISTIQUES

TABLEAU DE COMMANDE



A BOUTON POWER (MISE SOUS TENSION)

Appuyer une fois pour mettre en marche la sècheuse. Appuyer de nouveau pour éteindre la sècheuse. Si la sècheuse reste allumée pendant plus de 10 minutes sans qu'aucun appui sur un bouton n'ait été effectué, l'appareil s'éteint automatiquement.

B SÉLECTEUR DE PROGRAMME

Sélectionner le programme désiré correspondant au type de charge. Le programme sélectionné détermine la commande de chaleur correspondante au programme. Les programmes Normal (normal), Delicates (articles délicats), Bulky (articles volumineux), Heavy duty (service intense), Towels (serviettes), Perm Press (pressage permanent) et Sanitize (assainissement) sont des programmes de séchage par détection. Les programmes Quick dry (séchage rapide), Time Dry (séchage minuté) et Air fluff (duvetage à l'air) sont des programmes de séchage manuel.

C FAVORITE (FAVORI)

Appuyer pendant 3 secondes pour sauvegarder votre programme de séchage préféré. Appuyer une fois pour charger votre réglage de programme préféré.

D AFFICHAGE NUMÉRIQUE

L'affichage numérique DEL indique la durée restante du programme sélectionné. La DEL indique l'heure de mise en marche différée lorsqu'elle est réglée.

E BOUTON TIME ADJUST (RÉGLAGE DE LA DURÉE)

Ce bouton est valide uniquement pour les programmes manuels. Appuyer sur ce bouton pour sélectionner la durée de séchage désirée. Appuyer successivement pour arriver à la durée de réglage désirée.

F WRINKLE SAVER (ANTI-FROISSEMENT)

Appuyer une fois pour ajouter l'étape Wrinkle Preven (anti-froissement) au programme en cours. Appuyer de nouveau pour annuler la sélection.

G BOUTON START/PAUSE (MISE EN MARCHÉ/PAUSE)

Appuyer une fois pour démarrer le programme. Appuyer de nouveau pour suspendre le programme. Aucun réglage ne peut être modifié, il est seulement possible d'ajouter un vêtement. Appuyer une fois pour redémarrer le programme.

H TÉMOINS LUMINEUX DE PROGRAMME

Le témoin lumineux correspondant s'allume lorsque la sècheuse effectue son programme de séchage et la DEL Cooling (refroidissement) s'allume lorsque le processus de refroidissement de la sècheuse est en cours. Une fois l'ensemble du programme terminé, le témoin Clean Filter (nettoyer le filtre) clignote pour rappeler à l'utilisateur de nettoyer le filtre.

I ENERGY SAVER (ÉCONOMIE D'ÉNERGIE)

Appuyer une fois pour sélectionner cette fonction qui permet de réaliser des économies tout en conservant une performance de séchage similaire.

J BOUTON DELAY (MISE EN MARCHÉ DIFFÉRÉE)

Différer la mise en marche d'un programme jusqu'à 24 heures par tranches d'une heure. L'heure affichée indique l'heure de démarrage du séchage.

K BOUTON DRYNESS (NIVEAU DE SÉCHAGE)

Appuyer sur le bouton pour sélectionner le niveau de séchage. Les temps de séchage varient selon les différents niveaux de séchage. Pour les vêtements qui doivent être repassés à la main, il est préférable de sélectionner un niveau de séchage inférieur.

L CHILD LOCK (VERROUILLAGE ENFANTS)

Appuyer simultanément sur les boutons Dryness (niveau de séchage) et Temp (température) pour activer la fonction de verrouillage enfants. Appuyer de nouveau pendant 3 secondes pour désactiver la fonction. Aucune sélection ne fonctionnera à l'exception du bouton "Power" (mise sous tension).

M BOUTON TEMP (TEMPÉRATURE)

Appuyer sur le bouton pour sélectionner la température de séchage.

High (élevée) - pour les cotons résistants ou ceux dont l'étiquette de soin indique Tumble Dry (séchage par culbutage).

Medium (moyenne) - pour les articles à pressage permanent, synthétiques, en coton légers, ou ceux dont l'étiquette de soin indique Tumble Dry Medium (séchage par culbutage à température moyenne).

Low (basse) - pour une chaleur inférieure à la chaleur moyenne et pour sécher les tissus synthétiques ou les tricotés lavables.

Ultra low (Ultra basse) - pour les articles sensibles à la chaleur dont l'étiquette de soin indique Tumble Dry Low (séchage par culbutage à faible température) ou Tumble Dry Warm (séchage par culbutage à température tiède).

No heat (absence de chaleur) - programme de séchage à l'air sans chaleur.

N BOUTON BUZZER (ALARME SONORE)

Appuyer une fois pour arrêter le signal sonore de l'alarme. Appuyer de nouveau pour activer le signal sonore. La sélection est conservée jusqu'au prochain appui.

GUIDE DES PROGRAMMES

REMARQUE : Pour la protection de vos vêtements, tous les réglages et options ne sont pas disponibles sur tous les programmes. Les cases grisées indiquent les réglages par défaut correspondant à chaque programme.

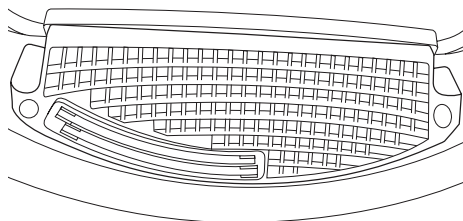
PRO-GRAMME	TYPE DE TISSU	DURÉE ESTIMÉE	TEMPÉRATURE DE SÉCHAGE	SÉCHAGE	OPTIONS
Sanitize (assainissement)	Serviettes, articles de literie, vêtements d'enfants	60	High (Élevée)	Très sec	Delay (Diffère), Wrinkle Saver (anti-froissement), Favorite (Favori)
Heavy Duty (service intense)	Articles lourds tels que serviettes et jeans	55 (Gaz) 60 (Électrique)	High (Élevée)	Plus sèche	Eco (Éco), Delay (Diffère), Wrinkle Saver (anti-froissement), Favorite (Favori)
			Medium (Moyenne) Low (Basse) Ultra Low (Ultra basse) No Heat (Sans chaleur)	Très sec Normal Moins sec Humide sec	
Normal	Articles en coton, linge de maison et charges mixtes	57 (Gaz) 63 (Électrique)	High (Élevée)	Plus sèche	Eco (Éco), Delay (Diffère), Wrinkle Saver (anti-froissement), Favorite (Favori)
			Medium (Moyenne) Low (Basse) Ultra Low (Ultra basse) No Heat (Sans chaleur)	Très sec Normal Moins sec Humide sec	
Bulky (articles volumineux)	Blankets, sheets, conforters	55 (Gaz) 60 (Électrique)	Medium (Moyenne)	Plus sèche	Eco (Éco), Delay (Diffère), Wrinkle Saver (anti-froissement), Favorite (Favori)
			High (Élevée) Low (Basse) Extra Low No Heat (Sans chaleur)	Très sec Normal Moins sec Humide sec	
Towels (serviettes)	Articles lourds tels que serviettes et jeans	58 (Gaz) 64 (Électrique)	High (Élevée)	Plus sèche	Eco (Éco), Delay (Diffère), Wrinkle Saver (anti-froissement), Favorite (Favori)
			Medium (Moyenne) Low (Basse) Ultra Low (Ultra basse) No Heat (Sans chaleur)	Très sec Normal Moins sec Humide sec	
Perm Press (pressage permanent)	Mélanges coton/ polyester, chemises et pantalons infroissables	27	Medium (Moyenne)	Normal	Eco (Éco), Delay (Diffère), Wrinkle Saver (anti-froissement), Favorite (Favori)
			Low (Basse) Ultra Low (Ultra basse) No Heat (Sans chaleur)	Très sec, Plus sèche Moins sec Humide sec	
Delicate (articles délicats)	Lingerie, chemisiers et tissus synthétiques	32	Low (Basse)	Moins sec	Eco (Éco), Delay (Diffère), Wrinkle Saver (anti-froissement), Favorite (Favori)
			Ultra Low (Ultra basse) No Heat (Sans chaleur)	Très sec Plus sèche Normal Humide sec	

PRO-GRAMME	TYPE DE TISSU	DURÉE ESTIMÉE	TEMPÉRATURE DE SÉCHAGE	SÉCHAGE	OPTIONS
Timed Dry (séchage minuté)	Articles en coton, linge de maison et charges mixtes	40	High (Élevée)	N/A	Delay (Diffère), Wrinkle Saver (anti-froissement), Favorite (Favori), Time Adjust (Réglage de la durée)
			Medium (Moyenne) Low (Basse) Extra Low No Heat (Sans chaleur)		
Quick Dry (séchage rapide)	Petites charges et articles de sport	30	High (Élevée)	N/A	Delay (Diffère), Wrinkle Saver (anti-froissement), Favorite (Favori), Time Adjust (Réglage de la durée)
			Medium (Moyenne) Low (Basse) Ultra Low (Ultra basse) No Heat (Sans chaleur)		
Air Fluff (duvetage à l'air)	Caoutchouc, plastique et tissus sensibles à la chaleur	20	No Heat (Sans chaleur)	N/A	Delay (Diffère), Wrinkle Saver (anti-froissement), Favorite (Favori), Time Adjust (Réglage de la durée)

CARACTÉRISTIQUES

CAPTEUR DU NIVEAU D'HUMIDITÉ

- Le capteur du niveau d'humidité permet à la sècheuse de détecter le taux d'humidité des vêtements de la charge. Les programmes automatiques utilisent cette information, ainsi que des mesures de température de l'air pour terminer le programme de séchage en temps voulu. Cette technologie intelligente permet d'économiser de l'énergie, réduit le taux d'électricité statique et protège les vêtements des dommages liés à un séchage excessif.
- Le capteur fournit également des résultats de séchage cohérents et précis et permet à l'utilisateur de régler les performances de la sècheuse avec précision au moyen du bouton Dry Level (niveau de séchage).



LAMPE INTERNE DU TAMBOUR (SUR CERTAINS MODÈLES)

- La lampe interne du tambour aide l'utilisateur à mieux voir à l'intérieur de la sècheuse et à retrouver tous ses articles séchés. Un interrupteur sur la caisse allume automatiquement la lumière quand la porte est ouverte et l'éteint quand elle est fermée.

INSTRUCTIONS D'UTILISATION

! AVERTISSEMENT

Pour réduire le risque d'incendie, de choc électrique ou de blessures corporelles, lire les INSTRUCTIONS IMPORTANTES DE SÉCURITÉ avant de faire fonctionner cet appareil.

ÉTAPE 1 – PRÉPARATION ET TRI DU LINGE

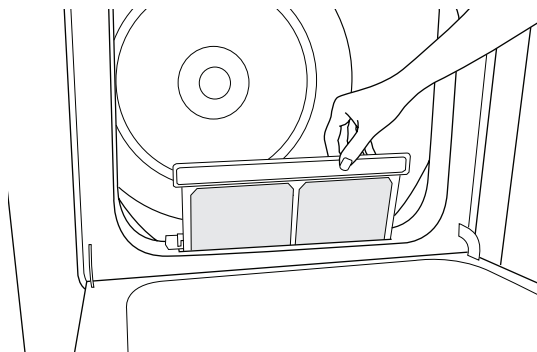
- Consulter les étiquettes des vêtements pour les instructions de séchage du fabricant.
- Si possible, retourner les poches pour obtenir un séchage uniforme.
- Attacher les ceintures et les cordons pour qu'ils ne s'emmêlent pas.
- Fermer les fermetures à glissière, les boutons pression et les crochets afin qu'ils ne s'accrochent pas.
- S'assurer que les boutons et ornements des vêtements résistent à des températures élevées et qu'ils n'endommageront pas la surface du tambour.
- Afin d'éviter que les taches ou souillures ne se fixent sur les tissus, vérifier que toutes les taches et souillures ont été éliminées durant le programme de lavage. Si ce n'est pas le cas, laver à nouveau les articles tachés.
- Pour éviter que les vêtements ne s'emmêlent et faciliter leur retrait de la machine, placer les petits articles dans un filet à vêtements avant de charger le linge.
- Séparer les tissus qui retiennent la charpie de ceux qui la forment. Les vêtements susceptibles de produire de la charpie doivent être retournés sur l'envers avant d'être placés dans la sècheuse.

ÉTAPE 2 - NETTOYAGE DU FILTRE À CHARPIE

1. Nettoyer le filtre à charpie avant chaque utilisation. Pour retirer le filtre à charpie, tirer sur la poignée du filtre à charpie située à l'intérieur de la porte de la sècheuse.
2. Faire rouler la charpie accumulée sur le filtre à charpie avec les doigts pour la retirer. Ne pas rincer ni laver le filtre pour enlever la charpie.
3. Réinstaller le filtre à charpie en le faisant glisser.

REMARQUES :

- Ne pas utiliser la sècheuse si le filtre à charpie n'est pas en place. Sans le filtre, les vêtements à sécher pourraient pénétrer dans le système d'évacuation et endommager la sècheuse.
- L'accumulation de charpie sur le filtre réduira la circulation de l'air et allongera la durée de séchage.



ÉTAPE 3 – CHARGEMENT DE LA SÉCHEUSE

1. Charger les vêtements humides dans le tambour de la sècheuse sans les tasser.
2. Fermer la porte de la sècheuse.

REMARQUES :

- Ne pas remplir la sècheuse de vêtements.
- Une charge de linge adéquate doit représenter entre un tiers et la moitié du volume du tambour. Laisser suffisamment d'espace dans l'appareil pour que les vêtements puissent culbuter librement et sécher uniformément sans se froisser.
- Pour sécher des articles volumineux, ne charger que 2 à 3 articles à la fois en les mêlant à quelques vêtements de petite et moyenne taille.
- Pour les vêtements délicats et les petites charges, ajouter quelques serviettes pour que les vêtements culbutent correctement. Cela permettra aux vêtements de sécher de façon uniforme et sans se froisser.

ÉTAPE 4 – DÉMARRAGE DE LA SÉCHEUSE

1. Mettre la sècheuse sous tension en appuyant sur le BOUTON POWER (mise sous tension).
2. Sélectionner un programme en faisant tourner le BOUTON DE SÉLECTION DU PROGRAMME.
3. Si nécessaire, modifier les réglages et les options par défaut.
4. Pour démarrer la sècheuse, appuyer sur le BOUTON START/PAUSE (mise en marche/pause) à l'avant du bouton rotatif.

REMARQUE :

- Si l'on ouvre la porte, le programme en cours sera suspendu. Fermer la porte et appuyer sur le BOUTON START/PAUSE (mise en marche/pause) pour reprendre le programme.

⚠ AVERTISSEMENT

Toujours débrancher la sècheuse avant le nettoyage afin d'éviter tout choc électrique.

Le non-respect de cet avertissement peut entraîner un décès ou des blessures.

Avant d'utiliser des produits de nettoyage, toujours lire et suivre les instructions et avertissements du fabricant afin d'éviter toute blessure ou tout dommage du produit.

NETTOYAGE ET ENTRETIEN

- Utiliser uniquement un chiffon humide ou imbibé d'eau savonneuse pour nettoyer le tableau de commande.
- Si l'on renverse de l'assouplissant pour tissu, de l'agent de blanchiment ou du détergent liquide/en poudre sur la caisse, essuyer immédiatement la caisse pour éviter d'endommager le revêtement.
- Ne pas utiliser de nettoyeurs abrasifs, de produits chimiques puissants, d'ammoniaque, d'agent de blanchiment au chlore, de détergent concentré ou de solvants pour nettoyer la sècheuse. Ces produits chimiques peuvent se dissoudre, endommager ou décolorer la sècheuse.
- Ne pas utiliser de nettoyeur en atomiseur pour nettoyer l'intérieur de la sècheuse. Cela pourrait produire des vapeurs dangereuses ou entraîner un choc électrique. Si le tambour est taché, nettoyer avec un linge humide. Retirer tout résidu éventuel avant de sécher la charge suivante.

NETTOYAGE DU FILTRE À CHARPIE

- Des résidus de détergent ou d'assouplissant pour tissu peuvent s'accumuler sur le filtre à charpie. Cette accumulation peut rallonger le temps de séchage ou entraîner l'arrêt de la sècheuse avant que la charge ne soit complètement sèche.
- Nettoyer le filtre à charpie tous les 6 mois ou plus souvent s'il est obstrué par une accumulation de résidus.

Étapes à suivre pour le nettoyage du filtre à charpie :

1. Retirer la charpie accumulée en quantité normale avec les doigts.
2. Mouiller les deux côtés du filtre à charpie avec de l'eau chaude.
3. Appliquer du détergent liquide mélangé à de l'eau et frotter à l'aide d'une brosse en nylon.
4. Rincer soigneusement le filtre à charpie à l'eau chaude.
5. Sécher complètement le filtre à charpie avant de le réinstaller et d'utiliser à nouveau la sècheuse.

RETIRER LA CHARPIE ACCUMULÉE

À l'intérieur de la caisse de la sècheuse

- Retirer la charpie tous les 2 ans ou plus souvent, selon l'utilisation de la sècheuse. Le nettoyage doit être effectué par une personne qualifiée.

Système d'évacuation

- Le système d'évacuation doit être contrôlé et nettoyé tous les 12 mois au moins dans des conditions d'utilisation normales. Plus on utilise la sècheuse, plus on doit augmenter la fréquence d'inspection du système d'évacuation et de la bouche d'évacuation de la sècheuse pour en vérifier le bon fonctionnement.

PRÉCAUTIONS À PRENDRE AVANT UN DÉPART EN VACANCES

- Débrancher la sècheuse de la prise de courant ou déconnecter l'alimentation électrique.
- Nettoyer le filtre à charpie. Voir la section "Nettoyage du filtre à charpie".
- (Pour les sècheuses à gaz uniquement) : Fermer le robinet d'arrêt de la canalisation de gaz.

PRÉPARATION AVANT UN DÉMÉNAGEMENT OU UN ENTREPOSAGE

Suivre les étapes suivantes en complément des étapes de la section "Précautions à prendre avant un départ".

- Déconnecter la sècheuse du système d'évacuation.
- Tourner les pieds de nivellement de façon à ce qu'ils soient complètement rétractés dans la caisse de la sècheuse.
- Utiliser du ruban adhésif de masquage pour fixer la porte de la sècheuse.
- Déplacer et entreposer la sècheuse uniquement en position verticale.

REMARQUE : Pour les sècheuses à gaz, fermer l'arrivée de gaz qui alimente la sècheuse. Déconnecter la sècheuse de la canalisation d'alimentation en gaz et retirer les raccords fixés au tuyau d'arrivée de gaz de la sècheuse. Fermer la canalisation d'alimentation en gaz à l'aide d'un bouchon.

DÉPANNAGE

CODES D'ERREUR

Quand la sècheuse détecte une erreur, toutes les opérations s'arrêtent, une série de 4 signaux sonores retentit et un code d'erreur apparaît sur l'affichage Estimated Time Remaining (durée résiduelle estimée).

CODE D'ERREUR	DESCRIPTION	CAUSE ET SOLUTIONS POSSIBLES
C9 (Court-circuit)	Les BPC ont échoué.	Qualifié pour une intervention de dépannage.
E4 (Problème de l'élément de chauffage)	Le capteur d'humidité a échoué.	L'appareil de compléter le cycle de fonctionnement actuel. L'appareil peut encore fonctionner dans les cycles de temps. Qualifié pour une intervention de dépannage.
E5	Le capteur de température a échoué.	Appelez le centre de service de l'aide.

BRUITS DE FONCTIONNEMENT NORMAUX

- Les bruits suivants sont normaux lorsque la sècheuse est en cours de fonctionnement.
- Bruit de culbutage : Il est normal d'entendre ce bruit dans la mesure où les vêtements mouillés et lourds sont projetés en permanence contre les parois de la sècheuse.
- Bruit de refoulement d'air : Cela se produit lorsque le tambour de la sècheuse tourne et que de l'air pénètre à l'intérieur du tambour.

LA SÈCHEUSE NE FONCTIONNE PAS

- Vérifier que la sècheuse est branchée. La fiche de raccordement peut s'être débranchée.
- Vérifier que la tension à la prise de courant murale est correcte. Les sècheuses électriques nécessitent une alimentation électrique de 240 V.
- Vérifier s'il est nécessaire de réenclencher le disjoncteur ou de remplacer le fusible.
- Vérifier que la porte de la sècheuse est bien fermée.

LES VÊTEMENTS NE SÈCHENT PAS

- La sècheuse est peut-être surchargée. Les vêtements mouillés ne doivent pas occuper plus de la moitié du volume total du tambour.
- Inspecter le circuit d'évacuation et le clapet d'évacuation. Le système d'évacuation doit être complètement exempt de toute obstruction.
- Le système d'évacuation doit être entretenu et nettoyé régulièrement.
- Il sera peut-être nécessaire de trier la charge de la sècheuse. Les vêtements lourds doivent être séparés des vêtements légers.

- Il sera peut-être nécessaire de réagencer les articles encombrants.
- Inspecter le filtre à charpie. Le filtre à charpie doit être nettoyé avant chaque charge.
- Vérifier que la sècheuse n'est pas programmée sur le réglage de température Air Fluff (duvetage à l'air) (sans chaleur).
- Pour les sècheuses à gaz, s'assurer que la canalisation d'alimentation en gaz est bien ouverte.

LA SÈCHEUSE FAIT DU BRUIT

Bruit de grattement ou son métallique :

- Des objets étrangers se trouvent peut-être dans le tambour de la sècheuse. Arrêter la sècheuse et vérifier qu'elle ne contient pas d'objets comme des clés, des pièces de monnaie ou des objets lourds.

Bruits de vibration :

- La charge est peut-être mal répartie. Arrêter la sècheuse et réagencer la charge de linge.
- La sècheuse n'est peut-être pas d'aplomb. Vérifier que les 4 pieds de nivellement sont en contact ferme avec le plancher et que la sècheuse est d'aplomb.
- Voir la section "Bruits de fonctionnement normaux".

Électricité statique :

- Causée par un séchage excessif. Ajuster les réglages pour réduire la durée de séchage et utiliser un assouplissant pour tissu ou une feuille d'assouplissant pour sècheuse.

La charge est froissée :

- La charge de linge est peut-être restée trop longtemps dans la sècheuse à la fin du programme. Veiller à retirer rapidement les vêtements une fois le programme terminé.
- La sècheuse est peut-être surchargée. Le tambour de la sècheuse doit être à moitié plein – c'est le niveau maximal de remplissage.

Odeurs :

- Si on laisse des vêtements mouillés dans la laveuse ou la sècheuse, ceux-ci peuvent développer une odeur désagréable. Les sécher ne permettra pas de supprimer cette odeur. Laver à nouveau les vêtements avant de les sécher.
- L'élément de séchage électrique peut dégager une odeur forte lors de la première utilisation de la sècheuse. L'odeur disparaîtra après le premier programme.

POUR OBTENIR DE L'AIDE SUPPLÉMENTAIRE, VISITER HAIER.COM OU CONTACTER LA LIGNE D'ASSISTANCE À LA CLIENTÈLE AU 1-877-377-3639.

GARANTIE LIMITÉE

SERVICE À DOMICILE

GARANTIE COMPLÈTE DE UN AN

Pendant 12 mois à compter de la date d'achat d'origine, Haier réparera ou remplacera gratuitement n'importe quelle pièce (main-d'œuvre comprise) comportant un défaut de matériau ou de fabrication.

Haier peut choisir à sa seule discrétion de remplacer ou réparer des pièces, des sous-systèmes ou le produit tout entier.

Le produit doit être accessible, dégagé et installé correctement pour bénéficier du service de réparation sous garantie.

GARANTIE LIMITÉE

Au-delà d'un an après la date d'achat d'origine, Haier fournira gratuitement une pièce (tel qu'indiqué cidessous) pour remplacer ladite pièce suite à un défaut de matériau ou de fabrication. Haier assume l'entière responsabilité du coût de cette pièce. Tous autres frais, tels les frais de main-d'œuvre, de déplacement, etc, sont à la charge du propriétaire.

De la deuxième à la cinquième année

Haier fournira le tambour de défaut de matériau ou de fabrication.

REMARQUE : Cette garantie prend effet à la date à laquelle l'article a été acheté et le reçu de l'achat d'origine doit être présenté au représentant de dépannage autorisé avant qu'une quelconque réparation sous garantie ne soit effectuée.

Exceptions : Garantie pour usage commercial
90 jours sur la main-d'œuvre à compter de la date d'achat d'origine

90 jours sur les pièces à compter de la date d'achat d'origine

Aucune autre garantie ne s'applique.

SERVICE AU TITRE DE LA GARANTIE

Tout dépannage doit être effectué par un centre de dépannage autorisé Haier. Pour le nom et le numéro de téléphone du centre de dépannage autorisé le plus proche de votre domicile, composer le 1-877-337-3639.

Avant d'appeler le centre, veuillez garder à disposition les renseignements suivants :

Numéros de plaque signalétique de l'appareil.
Le nom et l'adresse du revendeur auprès duquel vous avez acheté l'appareil, ainsi que la date d'achat.

Une description claire du problème rencontré.

Une preuve d'achat (reçu de vente).

Cette garantie est valable pour le service des appareils domestiques aux États-Unis contigus et au Canada et lorsque le service est disponible, en Alaska, à Hawaï et Porto Rico.

Cette garantie ne couvre pas :

Le remplacement ou la réparation des fusibles, disjoncteurs, du câblage ou du circuit de plomberie du domicile.

Un produit dont le numéro de série d'origine a été enlevé ou modifié.

Tous frais de dépannage non identifiés comme étant normaux tel un dépannage dans une zone ou une tranche horaire normale.

Vêtements endommagés.

Les dommages liés à l'expédition.

Les dommages liés à une installation ou un entretien inadéquat.

Les dommages causés par l'un des éléments suivants : Mauvaise utilisation, utilisation abusive, accident, incendie ou catastrophe naturelle.

Les dommages résultant d'un dépannage fourni par une entité autre qu'un revendeur ou centre de dépannage autorisé Haier.

Les dommages causés par un courant, une tension ou une alimentation électrique incorrects.

Les dommages résultant d'une quelconque modification ou altération du produit ou d'un ajustement non autorisé par Haier.

Un ajustement des commandes utilisées par le consommateur tel qu'identifiées dans le manuel de l'utilisateur.

Les tuyaux, boutons, plateaux à peluches et tout accessoire ou pièce jetable.

Les frais de main-d'œuvre, transport pour dépannage et d'expédition pour le retrait et le remplacement de pièces défectueuses au-delà de la période de 12 mois.

Les dommages liés à une utilisation autre qu'une utilisation domestique normale.

Tout frais de transport et d'expédition.

CETTE GARANTIE LIMITÉE REMPLACE TOUTE AUTRE GARANTIE EXPRESSE OU IMPLICITE, Y COMPRIS LES GARANTIES DE COMMERCIALISATION OU DE PERTINENCE À UN USAGE PARTICULIER

Le recours offert dans cette garantie est exclusif et se substitue à toute autre garantie.

Cette garantie ne couvre pas les dommages fortuits ou indirects; aussi les limitations décrites ci-dessus peuvent ne pas s'appliquer à votre cas. Certains États ne permettent pas de limitation sur la durée d'une garantie implicite, aussi les limitations décrites ci-dessus peuvent ne pas s'appliquer à votre cas.

Cette garantie vous confère des droits juridiques spécifiques. Vous pouvez également jouir d'autres droits qui peuvent varier d'un État à l'autre.

Haier America
Wayne, NJ 07470

ÍNDICE

INSTRUCCIONES IMPORTANTES DE SEGURIDAD	71
Precauciones para la secadora a gas	73
Precauciones generales relativas a la seguridad.....	74
PIEZAS Y CARACTERÍSTICAS	75
INSTRUCCIONES DE INSTALACIÓN	76
Herramientas necesarias	76
Piezas adicionales requeridas	77
Requisitos de ubicación.....	77
Requisitos del suministro eléctrico y de gas	79
Requisitos para la conexión del suministro de gas.....	82
Requisitos de entrada del quemador	82
Requisitos del sistema de escape	83
Requisitos adicionales para las casas rodantes	85
INSTRUCCIONES PASO A PASO	86
Paso 1 – Desempaque la secadora	86
Paso 2 – Conecte un cable eléctrico a la secadora (solamente para la secadora eléctrica).....	86
Paso 2 – Conecte a la línea de suministro de gas (solamente para la secadora a gas).....	89
Paso 3 – Conecte a un sistema de escape.....	91
Paso 4 – Nivele la secadora.....	92
Paso 5 – Complete la instalación.....	92
Paso 6 - Cambio del sentido de apertura de la puerta (opcional).....	93
PANEL DE CONTROL Y CARACTERÍSTICAS	94
INSTRUCCIONES PARA EL FUNCIONAMIENTO	98
Paso 1 – Prepare y separe las prendas	98
Paso 2 – Limpie el filtro de pelusa	98
Paso 3 – Cargue la secadora.....	99
Paso 4 – Ponga la secadora en marcha	99
INSTRUCCIONES DE MANTENIMIENTO DEL USUARIO	100
Limpieza y mantenimiento.....	100
Lavado del filtro de pelusa.....	100
Eliminación de pelusa acumulada	101
Precauciones al irse de vacaciones.....	101
Preparación para la mudanza o el almacenaje	101
SOLUCIÓN DE PROBLEMAS	102
GARANTÍA LIMITADA	104

INFORMACIÓN A TENER EN CUENTA

Le agradecemos la compra de este producto de marca Haier. Este manual para el usuario le ayudará a obtener el mejor funcionamiento de su nueva secadora.

Para referencia futura, anote el número de modelo y de serie, que están situados en la parte posterior de la secadora, y la fecha de compra.

Engrape el comprobante de compra a este manual para asistirle cuando necesite obtener servicio bajo la garantía.

Número de modelo

Número de serie

Fecha de compra

INSTRUCCIONES IMPORTANTES DE SEGURIDAD

Su seguridad y la seguridad de los demás es muy importante.

Hemos incluido muchos mensajes importantes de seguridad en este manual y en su electrodoméstico. Lea y obedezca siempre todos los mensajes de seguridad.



Este es el símbolo de advertencia de seguridad.

Este símbolo le llama la atención sobre peligros potenciales que pueden ocasionar la muerte o una lesión a usted y a los demás. Todos los mensajes de seguridad irán a continuación del símbolo de advertencia de seguridad y de la palabra "PELIGRO," "ADVERTENCIA" o "PRECAUCIÓN."

Estas palabras significan:

⚠ PELIGRO

Se trata de una situación de peligro inminente. Si no sigue las instrucciones de inmediato, usted puede morir o sufrir una lesión grave.

⚠ ADVERTENCIA

Se trata de una situación posiblemente peligrosa que, de no evitarse, podría causar la muerte o una lesión grave.

⚠ PRECAUCIÓN

Se trata de una situación posiblemente peligrosa que, de no evitarse, podría causar lesiones moderadas o leves.

Todos los mensajes de seguridad le dirán el peligro potencial, le dirán cómo reducir las posibilidades de sufrir una lesión y lo que puede suceder si no se siguen las instrucciones.

ADVERTENCIA: Por su seguridad, debe tenerse en cuenta la información de este manual para minimizar el riesgo de incendio o explosión, o para prevenir daños a los bienes, lesiones personales o muerte.

-No almacene ni use gasolina u otros vapores y líquidos inflamables cerca de éste o cualquier otro electrodoméstico.

-PASOS QUE USTED DEBE SEGUIR SI HUELE A GAS:

- **No trate de encender ningún aparato electrodoméstico.**
- **No toque ningún interruptor eléctrico; no use ningún teléfono en su edificio.**
- **Desaloje a todos los ocupantes del cuarto, edificio o área.**
- **Llame inmediatamente a su proveedor de gas desde el teléfono de un vecino. Siga las instrucciones de su proveedor de gas.**
- **Si usted no puede comunicarse con su proveedor de gas, llame al departamento de bomberos.**

-La instalación y el servicio deben ser realizados por un instalador calificado, una agencia de servicio o por el proveedor de gas.

! ADVERTENCIA

La ley de Agua potable y sustancias tóxicas de California obliga al Gobernador de California a publicar una lista de sustancias químicas conocidas en el Estado de California como causantes de cáncer, malformaciones congénitas u otros daños reproductivos y además, obliga a las empresas a advertir a las personas si creen que van a estar expuestas a tales sustancias químicas.

Este producto contiene una sustancia química que figura en la lista de sustancias peligrosas del Estado estadounidense de California y que se conoce como causante de cáncer, malformaciones congénitas u otros daños reproductivos. Este electrodoméstico puede provocar una baja exposición a algunas de las sustancias de la lista, incluidos el benceno, el formaldehído, y el monóxido de carbono.

En el estado de Massachusetts, se aplican las siguientes instrucciones de instalación:

- Las instalaciones y reparaciones deben hacerse con un contratista, plomero o gasista calificado o autorizado, el cual debe estar calificado o autorizado por el estado de Massachusetts.
- Si usa una válvula de bola, deberá ser del tipo de manigueta T.
- Si usa un conector de gas flexible, no debe superar los 3 pies (91 cm).

ADVERTENCIA

A fin de reducir el riesgo de incendio, choque eléctrico o lesiones personales al usar el aparato, siga las precauciones básicas, incluidas las siguientes:

NOTA: La secadora ha sido diseñada cumpliendo los requisitos de ANSI Z21.5.1 o ANSI/UL 2158 - CAN/CSA C22.2 No. 112-97 (últimas ediciones) SOLAMENTE PARA USO DOMÉSTICO. No se recomienda usar esta secadora para aplicaciones comerciales, tales como restaurantes y salones de belleza.

- Lea todas las instrucciones antes de usar este aparato.
- Antes de usarse este aparato, deberá ser debidamente instalado y ubicado de acuerdo con las instrucciones de instalación.
- Use este aparato solamente para el propósito que fue diseñado, como se describe en este manual para el usuario.
- No use la secadora para secar ropa en entornos comerciales.

PRECAUCIONES PARA LA SECADORA A GAS

ADVERTENCIA

Por su seguridad, debe tenerse en cuenta la información de este manual para minimizar el riesgo de incendio o explosión, o para prevenir daños a los bienes, lesiones personales o muerte.

IMPORTANTE: La instalación de gas debe cumplir con los códigos locales y en la ausencia de códigos locales, con el Código nacional de gas combustible (National Fuel Gas Code), ANSI Z223.1/NFPA 54 o el Código de instalación de gas natural y propano (Natural Gas and Propane Installation Code), CSA B149.1.

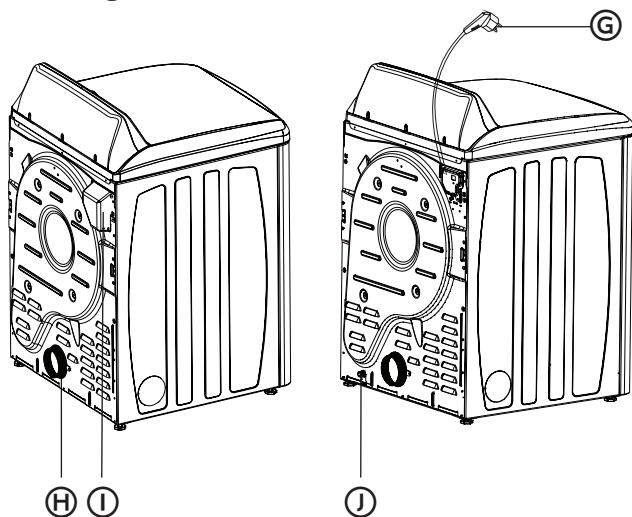
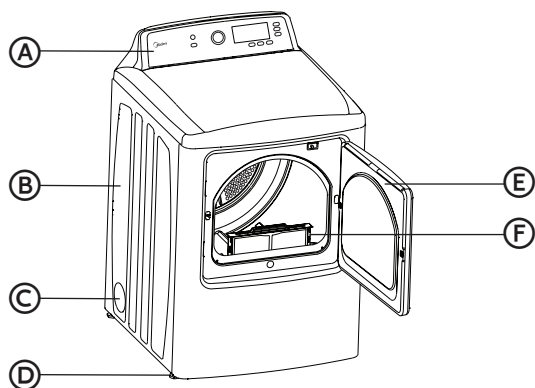
- La instalación deberá llevarse a cabo por parte de un contratista competente o con licencia, un plomero o un instalador de gas competente o autorizado por el estado, la provincia o la región en donde se instale este aparato.
- Los materiales combustibles, la gasolina y otros vapores y líquidos inflamables no deben guardarse cerca de la secadora.

PRECAUCIONES GENERALES RELATIVAS A LA SEGURIDAD

- Mantenga el área alrededor de la abertura de ventilación y las áreas adyacentes a esta abertura sin pelusa, polvo o tierra.
- Mantenga el área donde está la secadora despejada y libre de artículos que pudieran obstruir el flujo de aire para la combustión y la ventilación a través del panel con rejillas ubicado en la parte posterior de la secadora.
- Es necesario supervisar cuidadosamente a los niños si los mismos usan el aparato o cuando éste se use cerca de ellos. No permita que los niños jueguen con o sobre este aparato ni en el interior del mismo.
- No seque artículos que ya se hayan limpiado, lavado, remojado o manchado con gasolina, disolventes de limpieza en seco, u otras sustancias inflamables o explosivas ya que despiden vapores que pueden encenderse o causar una explosión.
- No coloque los objetos expuestos a aceite para cocinar en su secadora. Los objetos expuestos a aceite para cocinar pueden contribuir a una reacción química que podría causar que una carga se inflame.
- Si se ha usado el material con líquidos o sólidos inflamables, no deberá secarse en la secadora hasta que se haya quitado todo rastro de líquidos y vapores inflamables.
- No introduzca las manos en el aparato cuando el tambor esté en movimiento.
- No trate de forzar los controles.
- No utilice suavizantes de telas o productos para eliminar la estática de las prendas a menos que lo recomiende el fabricante del suavizante de telas o del producto en uso.
- No utilice calor para secar artículos que contengan goma espuma o materiales con textura similar a la goma.
- Limpie el filtro de pelusa antes o después de cada carga.
- La parte interior del aparato y el ducto de escape deben limpiarse periódicamente por parte de personal de servicio competente.
- Para reducir al mínimo la posibilidad de un choque eléctrico, desenchufe este aparato del suministro de energía antes de intentar realizar el mantenimiento o la limpieza.
NOTA: El apagado de la unidad con el botón Power (Encendido) NO desconecta el aparato del suministro de energía.
- Nunca desenchufe la secadora jalándola del cable eléctrico. Siempre sujete el enchufe con firmeza y jálelo de modo recto fuera del contacto.
- No intente proveer servicio, reparar ni reemplazar ninguna parte del aparato a menos que esto se recomiende específicamente en este manual o en instrucciones de reparación publicadas para el usuario que usted comprenda y si cuenta con la experiencia necesaria para llevar a cabo dicha reparación.
- Antes de desechar la secadora o de retirarla del servicio, quítele la puerta o la tapa del compartimiento de secado.

**GUARDE ESTAS INSTRUCCIONES
SOLAMENTE PARA USO DOMÉSTICO**

PIEZAS Y CARACTERÍSTICAS



Secadora eléctrica

Secadora a gas

- A** Panel de control
- B** Gabinete de la secadora
- C** Orificio de ventilación a la izquierda (para la opción)
- D** Patas niveladoras
- E** Puerta de la secadora
- F** Filtro de pelusa

- G** Cable eléctrico (sólo para secadora a gas)
- H** Salida de ventilación
- I** Caja de cableado (sólo secadora eléctrica)
- J** Tubo de entrada de gas

INSTRUCCIONES DE INSTALACIÓN

ADVERTENCIA

Riesgo de incendio

La instalación de la secadora de ropa debe estar a cargo de un instalador competente.

Instale la secadora de ropa según las instrucciones del fabricante y los códigos locales.

No instale una secadora de ropa con materiales de ventilación de plástico flexible. Si se usa un conducto de metal flexible (de hoja de metal), éste deberá ser de un tipo específico, que esté identificado por el fabricante de electrodomésticos como apto para ser usado con secadoras de ropa. Es sabido que los materiales de ventilación flexible se derrumban, se aplastan con facilidad y atrapan pelusa. Estas condiciones obstruirán el flujo de aire de la secadora de ropa y aumentarán el riesgo de incendio.

Para reducir el riesgo de lesiones severas o la muerte, siga todas las instrucciones de instalación.

IMPORTANTE: Cuando descarte o guarde su vieja secadora de ropa, quitele la puerta.

ADVERTENCIA

Peligro de asfixia

Antes de deshacerse de su viejo aparato, quitele la puerta o la tapa, para que los niños no puedan esconderse ni quedar atrapados dentro del mismo.

No seguir esta instrucción puede ocasionar la muerte o daño al cerebro.

IMPORTANTE: Al instalar la secadora, deberá ser conectada a tierra de acuerdo con los códigos locales, o en la ausencia de códigos locales, con el Código nacional eléctrico (National Electrical Code), ANSI/NFPA 70 o el Código canadiense de electricidad (Canadian Electrical Code), CSA C22.1.

HERRAMIENTAS NECESARIAS

- Destornillador Phillips
- Destornillador de hoja plana
- Pinzas de articulación regulables
- Llave de extremo abierto de ½"
- Nivel de carpintero
- Cinta de medir (de 12 pies [3,7 m] mín.)
- Cinta adhesiva
- Cuchillo de corte

Solamente para las instalaciones a gas:

- Llave para tubos
- 2 llaves ajustables

PIEZAS ADICIONALES REQUERIDAS

- Tubería de escape de metal rígido o flexible de 4" (10,2 cm)
- Abrazaderas para ducto
- Cinta para tubos
- Cable eléctrico (solamente para la secadora eléctrica de EE.UU.)
 - Deberá comprarse un juego de cable de suministro eléctrico que satisfaga los códigos eléctricos locales. Deberá usarse para la secadora un cable de suministro eléctrico de 3 ó 4 hilos tipo NEMA 14-30 ó 10-30, SRDT o ST (según se necesite) de 120 /240 voltios CA como mínimo, 30 amperios, con 10 conductores AWG con los extremos hacia arriba o conectores con lazo cerrado, marcados para ser usados con secadoras de ropa.
 - Protector de cables que esté en la lista de UL
- Piezas para la conexión a gas (solamente para la secadora a gas)
 - Codo NPT de $\frac{3}{8}$ "
 - Accesorio adaptador abocinado NPT de $\frac{3}{8}$ "
 - Conector de gas flexible de $\frac{3}{8}$ "
 - Compuesto para unión de tuberías
- Juego para la instalación en casas rodantes (solamente para las secadoras a gas de casas rodantes)

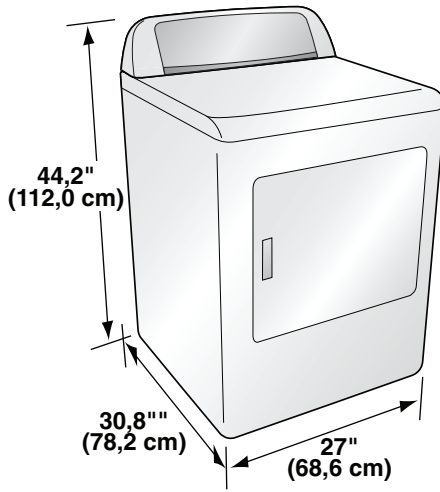
REQUISITOS DE UBICACIÓN

! ADVERTENCIA

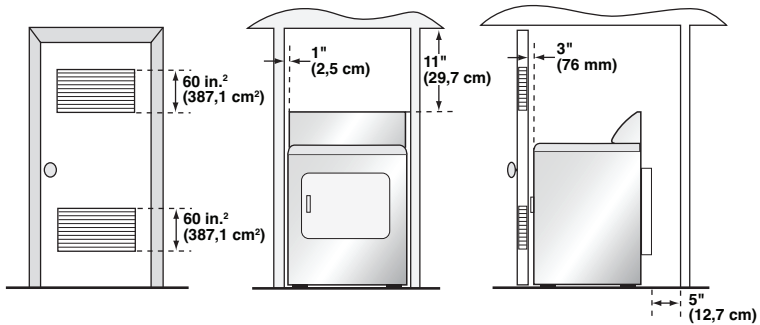
No instale la secadora en lugares donde se guarda o se almacena gasolina u otros productos inflamables. Si se instala la secadora en un garage, deberá estar a un mínimo de 18 pulgadas (45,7 cm) por encima del piso. No seguir estas instrucciones puede ocasionar la muerte, explosión, incendio o quemaduras.

- La secadora deberá instalarse sobre un piso sólido. El piso de hormigón es el mejor.
- El piso deberá estar nivelado con un declive máximo de 1" (2,5 cm) debajo de toda la secadora.
- Un lugar apropiado, protegido de la luz directa del sol y de fuentes de calor, tales como radiadores, zócalos radiantes o aparatos de cocción.
- No la instale sobre una alfombra.
- La ubicación deberá tener contactos apropiados para el suministro eléctrico y de gas. Consulte la sección "Requisitos del suministro eléctrico y de gas" para obtener detalles.
- No instale la secadora en un área donde esté en contacto con cortinas, alfombras pesadas o cualquier cosa que pudiera obstruir el flujo de aire para la combustión y la ventilación.
- No instale ni almacene este aparato donde esté expuesto al agua y/o a la intemperie.

DIMENSIONES DE LA SECADORA



REQUISITOS PARA ALCOBAS O CLÓSETS



ESPACIOS MÍNIMOS

- Las dimensiones que se muestran son los espacios mínimos recomendados permitidos.
- Se necesita que haya espacio a los lados de la secadora para evitar la transferencia de ruido.
- Será necesario que haya espacio 5" (12,7 cm) en la parte posterior de la secadora para colocar la tubería de escape.

OTROS REQUISITOS

- Esta secadora deberá ventilarse al exterior.
- No instale la secadora en un clóset con una puerta maciza.
- La puerta del clóset deberá tener rejillas u orificios de ventilación con una abertura a mínima combinado de 72 pulg.² (465 cm²) a mínima de 3" (76 mm) en la parte superior e inferior de la puerta.
- No se debe instalar ningún otro electrodoméstico que use combustible en el mismo clóset en el que se encuentra la secadora a gas.

REQUISITOS DEL SUMINISTRO ELÉCTRICO Y DE GAS

INSTRUCCIONES DE PUESTA A TIERRA:

Este aparato debe estar conectado a tierra. En el caso de funcionamiento defectuoso o avería, la conexión reducirá el riesgo de choque eléctrico al proporcionar una vía de menor resistencia para la corriente eléctrica. Este electrodoméstico está equipado con un cable que cuenta con un conductor para la conexión a tierra del equipo y un enchufe de conexión a tierra. El enchufe debe conectarse en un contacto apropiado que esté debidamente instalado y conectado a tierra de acuerdo con todos los códigos y ordenanzas locales.

ADVERTENCIA

La conexión inadecuada del conductor a tierra para el equipo puede resultar en un riesgo de choque eléctrico. Si no está seguro de que la conexión a tierra del aparato sea la adecuada, verifíquela con un electricista o técnico de servicio competente.

SECADORA ELÉCTRICA (SOLAMENTE PARA EE.UU.)

ADVERTENCIA

La secadora deberá enchufarse en un contacto eléctrico debidamente puesto a tierra, de 3 o 4 hilos, monofásico, de 120/240 voltios (o de 120/208 voltios), 60 Hz, CA solamente, conectado a un circuito individual de 30 amperios con fusible, con un cortacircuitos o fusible retardador de 30 amperios. No ponga a funcionar una lavadora y una secadora en el mismo circuito.

NOTA: El suministro eléctrico de la secadora deberá cumplir con los códigos y ordenanzas locales, y la última edición del Código nacional eléctrico (National Electrical Code), ANSI/NFPA 70.

- Si el suministro eléctrico que hay disponible en la ubicación deseada para la secadora no satisface los requisitos mencionados anteriormente, póngase en contacto con un electricista competente con licencia.
- Una secadora que funciona con un suministro eléctrico de 208 voltios demorará más tiempo para secar que si estuviera funcionando con un suministro eléctrico de 240 voltios.

- La secadora no ha sido equipada con un cable eléctrico. Deberá comprarse por separado un juego que satisfaga los códigos eléctricos locales. Puede usarse para la secadora un cable de suministro eléctrico de 3 o 4 hilos tipo NEMA 14-30 o 10-30, SRDT o ST (según se necesite) de 120/240 voltios CA como mínimo, 30 amperios, con 3 conectores de horquilla con extremos abiertos, con los extremos hacia arriba o conectores con lazo cerrado, marcados para ser usado con secadoras de ropa.
- Deberá sujetarse a la secadora un protector de cables que esté en la lista de UL para sostener el cable eléctrico.
- No use un receptáculo de alambres de aluminio con un cable y enchufe con hilos de cobre (o viceversa). La combinación apropiada de cableado y receptáculo deberá ser un cable eléctrico con hilos de cobre con un receptáculo con hilos de cobre.
- El contacto eléctrico deberá estar ubicado de modo que el cable esté accesible cuando la secadora esté instalada en su sitio.

SECADORA ELÉCTRICA (EN CANADÁ SOLAMENTE)

ADVERTENCIA

La secadora deberá enchufarse en un contacto eléctrico debidamente puesto a tierra, de 4 hilos, monofásico, de 120/240 voltios, 60 Hz, CA solamente, conectado a un circuito individual de 30 amperios con fusible, con un cortacircuitos o fusible retardador de 30 amperios. No ponga a funcionar una lavadora y una secadora en el mismo circuito.

NOTA: El servicio eléctrico a la secadora deberá hacerse conforme a los códigos y ordenanzas locales, y la última edición del Código eléctrico canadiense (Canadian Electrical Code), CSA C22.1, parte 1.

- Si el suministro eléctrico que hay disponible en la ubicación deseada para la secadora no satisface los requisitos mencionados anteriormente, póngase en contacto con un electricista competente con licencia.
- Todos los modelos canadienses se envían con el cable de alimentación conectado. El cable de alimentación debe ser enchufado en un tomacorriente de 30 amperios. En Canadá, usted no puede convertir una secadora a 208 voltios.
- El contacto eléctrico deberá estar ubicado de modo que el cable esté accesible cuando la secadora esté instalada en su sitio.

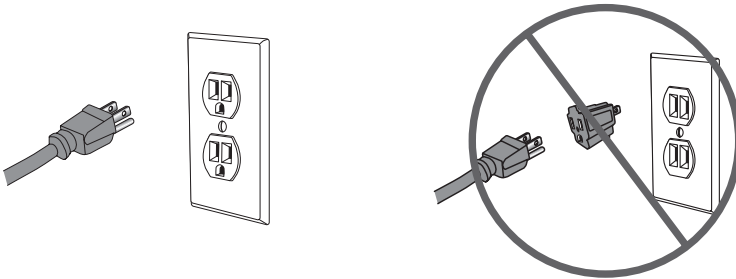
SECADORA A GAS

REQUISITOS DEL SUMINISTRO ELÉCTRICO

⚠ ADVERTENCIA

La secadora a gas deberá enchufarse en un contacto eléctrico debidamente puesto a tierra, de 3 hilos, monofásico, de 120 voltios, 60 Hz, CA solamente, con un cortacircuitos o fusible retardador de 15 amperios.

- La secadora viene equipada con un cable eléctrico dotado de un enchufe de 3 terminales. No corte ni quite la terminal de puesta a tierra del enchufe.
- El cable eléctrico deberá ser enchufado en un contacto apropiado de 3 terminales, conectado a tierra de acuerdo con todos los códigos y ordenanzas locales. Si no hay un contacto adecuado, comuníquese con un electricista con licencia para que instale uno.
- Si usted no está seguro de que el contacto esté debidamente conectado a tierra, comuníquese con un electricista con licencia.
- No use un adaptador para cable de 3 terminales.
- No use un cable eléctrico de extensión.



REQUISITOS DEL SUMINISTRO DE GAS

NOTA: El servicio de gas a la secadora deberá hacerse de acuerdo con los códigos y ordenanzas locales y la última edición del Código nacional de gas combustible (National Fuel Gas Code), ANSI Z223.1 o, en Canadá, CAN/CGA B149.1.

Gas natural

- La secadora está equipada para uso con gas natural.

Gas LP (Propano líquido)

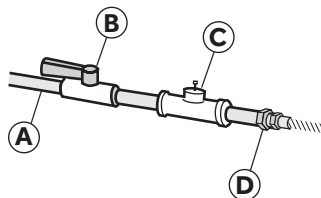
- La secadora puede convertirse para usarse con gas LP.
- La conversión a gas LP deberá llevarla a cabo un técnico de gas competente.

Línea de suministro de gas

- La línea de suministro de gas deberá ser un tubo de ½" (1,3 cm) y deberá tener una válvula de cierre individual manual instalada a menos de 6 pies (183 cm) de la secadora, según el Código nacional de gas combustible (National Fuel Gas Code), ANSI Z223.1/NFPA 54, o, en Canadá, con el Código para la instalación de gas natural y propano (Natural Gas and Propane Installation Code), B149.1.

- La válvula de cierre deberá estar donde se pueda alcanzar con facilidad para cerrarla y abrirla.
- Se debe instalar una derivación tapada NPT de por lo menos $\frac{1}{8}$ " , accesible para las pruebas de calibre, inmediatamente por encima de la conexión de suministro de gas a la secadora.
- La línea de suministro debe terminar con un accesorio adaptador abocinado NPT de $\frac{3}{8}$ " .

- (A) Línea de suministro de gas NPT de $\frac{1}{2}$ "
- (B) Válvula de cierre del gas
- (C) Derivación tapada NPT de $\frac{1}{8}$ " como mínimo
- (D) Accesorio adaptador abocinado NPT de $\frac{3}{8}$ "



REQUISITOS PARA LA CONEXIÓN DEL SUMINISTRO DE GAS

Esta secadora debe conectarse a la línea de suministro de gas con un conector aprobado de gas flexible que cumpla con las normas para conectores de electrodomésticos a gas, ANSI Z21.24 o CSA 6.10.

Conector de gas flexible de acero inoxidable:

- Si los códigos locales lo permiten, use un conector de gas flexible nuevo de acero inoxidable (diseño certificado por la Asociación estadounidense de gas o CSA International), para conectar su secadora a la línea rígida de suministro de gas. Use un codo y un accesorio adaptador abocinado NPT de $\frac{3}{8}$ " por $\frac{3}{8}$ " entre el tubo de acero inoxidable y el tubo de gas de la secadora, para evitar que se doblen.

REQUISITOS DE ENTRADA DEL QUEMADOR

Elevaciones de hasta 10.000 pies (3.048 m):

- El diseño de esta secadora está certificado por CSA Internacional para uso en altitudes que alcanzan los 10.000 pies (3.048 m) sobre el nivel del mar en la categoría de B.T.U. indicada en la placa del número de modelo/serie. No se requieren ajustes de la entrada del quemador cuando se usa la secadora hasta esta altitud.

Elevaciones por encima de 10.000 pies (3.048 m):

- Si se instala la secadora a un nivel superior a los 10.000 pies (3.048 m) de altitud, se requiere una reducción de categoría de B.T.U. del 4% del quemador, que se muestra en la placa del número de modelo/serie, por cada incremento de 1.000 pies (305 m) de altitud.

Prueba de presión del suministro de gas:

- Durante pruebas de presión a presiones mayores de $\frac{1}{2}$ lb/pulg.² (3,5 kPa), la secadora debe ser desconectada de la tubería del suministro de gas.

REQUISITOS DEL SISTEMA DE ESCAPE

⚠ ADVERTENCIA

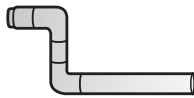
En esta sección se describen los requisitos para un sistema de escape seguro y eficaz. No seguir estas instrucciones puede ocasionar un rendimiento de secado insatisfactorio, daños a la secadora y peligro de incendio.

IMPORTANTE: La secadora deberá ventilarse al exterior.

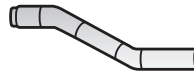
- La secadora no debe tener salida de ventilación hacia ningún ducto de gas, chimenea, pared, techo, desván, espacio angosto, o el espacio oculto de un edificio.

TUBERÍA

- Si el sistema de escape actual ha sido construido con un ducto de plástico o metal de hoja flexible, reemplácelo con un ducto de metal rígido.
- Use solamente un ducto de metal rígido de 4" (10,2 cm) de diámetro.
- Cuando haga giros en la tubería, use codos de 45° en vez de 90°. Esto provee un mejor flujo de aire y puede reducir la acumulación de pelusa en el sistema de escape.



90° - Bueno



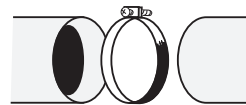
45° - Mejor

- No exceda la longitud del ducto para el número de codos que se muestran en la tabla a continuación. El hacerlo puede ocasionar acumulación de pelusa, aumentar el tiempo de secado y crear un riesgo de incendio.
- Dos codos de 45° equivalen a un codo de 90°.

Longitud máxima recomendada de escape		
Tipos de capota de ventilación		
Se recomienda	Use solamente para las instalaciones de tendido corto	
N° de codos de 90°	Metal rígido	Metal flexible
0	90 pies	60 pies
1	60 pies	45 pies
2	45 pies	35 pies
3	35 pies	25 pies

- Todas las uniones deberán estar ajustadas para evitar fugas. El extremo macho de cada sección de la tubería deberá estar dirigido lejos de la secadora.

- Utilice abrazaderas o cinta para ductos para conectar y sellar todas las uniones. No las conecte con tornillos ni otros sujetadores que se extiendan en el interior del tubo, ya que crearán un punto en donde se acumulará la pelusa.



Abrazadera

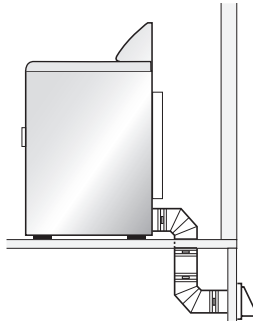
- Evite dirigir el sistema de escape a través de un área sin calor, ya que esto hará que se forme condensación en el interior del ducto y aumentará la acumulación de pelusa.
- Evite dirigir el sistema de escape en forma vertical a través del techo, ya que esto puede exponer el sistema de escape a corrientes de aire descendentes, ocasionando una mayor restricción de aire.
- Evite que el sistema de escape se doble, se comprima o se pliegue, ya que esto hará que se reduzca el flujo de aire y ocasionará un rendimiento insatisfactorio de secado.
- No ponga un filtro en el extremo del sistema de escape. Se acumulará pelusa y con el tiempo obstruirá el filtro. Use una capota de ventilación aprobada para terminar el ducto en el exterior.
- La longitud total del ducto de metal flexible no deberá exceder los 2,4 m (7,8 pies).

CAPOTA DE VENTILACIÓN

- Use una capota de ventilación aprobada con una compuerta que se abra hacia fuera cuando la secadora esté funcionando. Cuando se detenga la secadora, la compuerta se cerrará automáticamente para evitar corrientes de aire y la entrada de insectos y roedores.
- Se recomiendan las capotas de ventilación estilo persiana o estilo caja. Son aceptables las capotas de estilo angular, pero deberán usarse solamente para las instalaciones con un tendido corto. Consulte la tabla "Longitud máxima recomendada de escape" para obtener más información.
- Para evitar restringir el flujo de aire, mantenga un espacio mínimo de 12" (30,5 cm) entre la capota de ventilación y el piso u otra obstrucción.

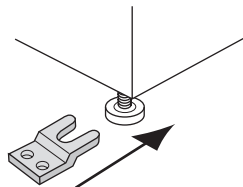
REQUISITOS ADICIONALES PARA LAS CASAS RODANTES

- La instalación deberá hacerse conforme al Estándar para la construcción y seguridad de hogares manufacturados (Manufactured Home Construction and Safety Standard), Título 24 CFR-Parte 3280 o el Estándar canadiense para los hogares manufacturados (Canadian Manufactured Home Standard), CAN/CSA-Z240 MH.
- Deberán tomarse medidas especiales para el aire exterior de complemento. La abertura deberá ser, por lo menos, dos veces más grande que la salida de escape de la secadora.
- Si se ventila la secadora a través del piso y dentro de un área encerrada debajo de la casa rodante, el sistema de escape deberá terminar en el exterior del recinto, con la terminación bien asegurada a la estructura de la casa rodante.



SOLAMENTE PARA LA SECADORA A GAS (SOLAMENTE PARA CASAS RODANTES)

- La secadora deberá asegurarse al piso usando un juego para la instalación en casas rodantes. Siga las instrucciones provistas con el juego.



INSTRUCCIONES PASO A PASO

INSTALACIÓN DE LA SECADORA

Se recomienda que su nueva secadora sea instalada por un técnico de aparatos competente. Si le parece que tiene la habilidad para instalar la secadora, lea las instrucciones detalladamente antes de hacerlo.

CUIDADO: Si después de seguir estos pasos no está seguro de haber instalado la secadora adecuadamente, póngase en contacto con un técnico de aparatos competente.

PASO 1 – DESEMPAQUE LA SECADORA

1. Quite todos los materiales de empaque. Esto incluye la base de espuma y toda la cinta adhesiva que mantiene sujetos adentro y afuera los accesorios de la secadora.
2. Inspeccione y quite los restos de materiales de empaque, cinta o material impreso antes de usar la secadora.

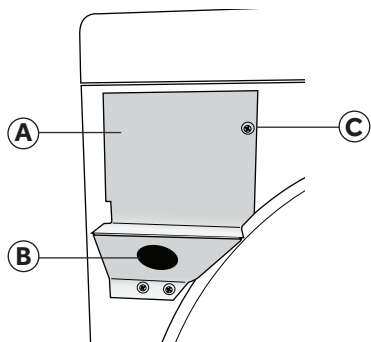
⚠ ADVERTENCIA

Para evitar el peligro de asfixia, mantenga la bolsa de plástico y otros materiales de empaque lejos del alcance de bebés y niños. No use esta bolsa en cunas, cochecitos ni corrales. La bolsa de plástico podría bloquear la nariz y la boca, impidiendo la respiración. Esta bolsa no es un juguete.

PASO 2 – CONECTE UN CABLE ELÉCTRICO A LA SECADORA (SECADORA ELÉCTRICA - SOLAMENTE PARA EE.UU.)

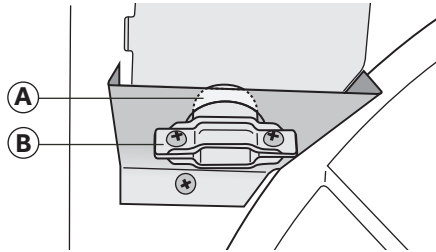
1. Quite el tornillo que asegura la cubierta de acceso del bloque de terminal, ubicada en la parte posterior de la esquina superior de la secadora.

- A** Cubierta de acceso del bloque de terminal
- B** Orificio en el soporte de montaje del protector de cables
- C** Tornillo de la cubierta de acceso



2. Inserte un protector de cables que esté en la lista de UL en el orificio del soporte de montaje. Coloque el protector de cables de modo que una lengüeta esté mirando hacia arriba y la otra mirando hacia abajo. Ajuste los tornillos del protector de cables sólo lo suficiente para mantener las dos mitades juntas.

- (A) Lengüeta
- (B) Protector de cables



3. Inserte el cable eléctrico en el protector de cables. Asegúrese de que el aislamiento de cables del cable eléctrico esté dentro del protector de cables.
4. Conecte los alambres del cable eléctrico siguiendo la Parte A para la conexión del cable eléctrico de 4 hilos o la Parte B para la conexión del cable eléctrico de 3 hilos.

4 hilos (se recomienda) si su hogar tiene un receptáculo de 4 hilos (tipo NEMA 14-30, SRDT o ST):



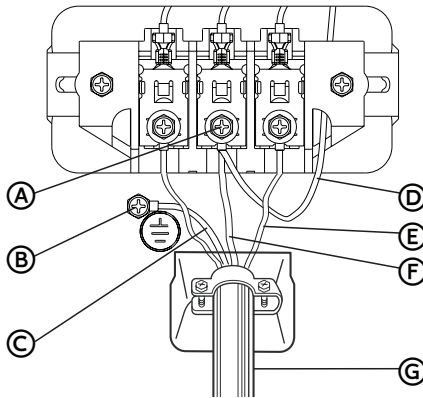
3 hilos (si no hay disponible un alambre de 4 hilos) si su hogar tiene un receptáculo de 3 hilos (tipo NEMA 10-30 SRDT):



CUIDADO: Deberá usarse un cable conductor de 4 hilos cuando el aparato esté instalado en una ubicación en la cual esté prohibida la conexión a tierra a través del conductor neutro. Está prohibido hacer la puesta a tierra a través del conductor neutro para (1) las nuevas instalaciones de circuito derivado, (2) casas rodantes, (3) vehículos de recreación y (4) áreas donde los códigos locales prohíben la conexión a tierra a través de conductores neutros.

5. Vuelva a colocar la cubierta del bloque de terminal.
6. Cerciñese de que ninguno de los cables toquen el tambor de la secadora en el interior del gabinete de la secadora.
7. Ajuste los tornillos del protector de cables.

PARTE A – CABLE ELÉCTRICO DE 4 HILOS



- A** Tornillo del bloque de terminal
- B** Tornillo a tierra (verde)
- C** Hilo a tierra del cable eléctrico (verde)
- D** Hilo de puente de conexión a neutro (blanco)
- E** Hilos de la línea del cable eléctrico (uno rojo y uno negro)
- F** Hilo neutro del cable eléctrico (blanco)
- G** Cable eléctrico

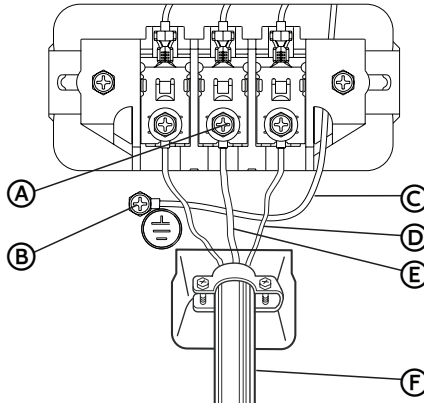
A2. Sujete el hilo a tierra del cable eléctrico (verde) al gabinete con el tornillo verde a tierra. Ajuste firmemente el tornillo.

A3. Sujete el hilo neutro del cable eléctrico (blanco) y hilo de puente de conexión a neutro (blanco) con el tornillo central del bloque terminal. Ajuste firmemente el tornillo.

A4. Sujete los 2 hilos restantes (rojo y negro) de la línea del cable eléctrico a los tornillos externos del bloque de terminal. Sujete un hilo a cada bloque de terminal, como se muestra. Ajuste firmemente ambos tornillos.

IMPORTANTE: No doble ni pliegue demasiado los hilos en las conexiones.

PARTE B – CABLE ELÉCTRICO DE 3 HILOS



- A** Tornillo del bloque de terminal
- B** Tornillo a tierra (verde)
- C** Hilo de puente de conexión a neutro (blanco)
- D** Hilos de la línea del cable eléctrico (uno rojo y uno negro)
- E** Hilo neutro del cable eléctrico (blanco)
- F** Cable eléctrico

- B1.** Sujete el hilo neutro del cable eléctrico (blanco) al tornillo central del bloque de terminal. Ajuste firmemente el tornillo.
- B2.** Sujete los 2 hilos restantes (rojo y negro) de la línea del cable eléctrico a los tornillos externos del bloque de terminal. Sujete un hilo a cada bloque de terminal, como se muestra. Ajuste firmemente ambos tornillos.
- B3.** Conecte el hilo de puente de conexión a neutro (blanco) al gabinete con el tornillo verde de tierra. Apriete el tornillo.

IMPORTANTE: No doble ni pliegue demasiado los hilos en las conexiones.

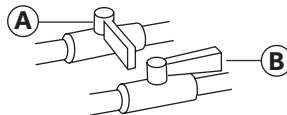
PASO 2 – CONECTE A UNA LÍNEA DE SUMINISTRO DE GAS (SOLAMENTE PARA LA SECADORA A GAS)

NOTA: No conecte la secadora a una línea de gas LP sin antes convertir la secadora con un juego de conversión. Un juego de conversión a gas LP deberá ser instalado por un técnico competente.

NOTA: Aplique un compuesto para uniones de tubería que sea resistente a la acción del gas LP a todas las roscas macho. No use cinta para plomería.

1. Cierre el suministro de gas moviendo la válvula de cierre hacia la posición cerrada.

- A** Válvula cerrada
- B** Válvula abierta

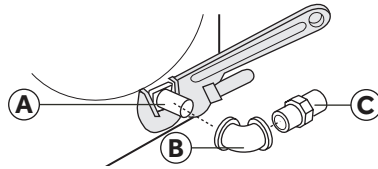


2. Desconecte y deseche el conector flexible de gas viejo. Reemplácelo con un nuevo conector flexible de gas aprobado por CSA (AGA).
3. Quite la cubierta de transporte del tubo de entrada de gas en la parte posterior de la secadora.

4. Conecte un codo NPT de $\frac{3}{8}$ " al tubo de entrada de gas en la secadora. Luego conecte un adaptador abocinado al codo.

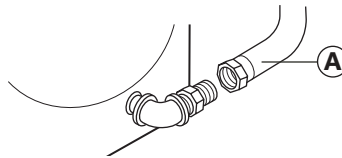
IMPORTANTE: Use una llave para tubos para evitar que se tuerza el tubo de entrada de gas de la secadora.

- (A) Tubo de entrada de gas en la secadora
- (B) Codo NPT de $\frac{3}{8}$ "
- (C) Adaptador abocinado NPT de $\frac{3}{8}$ "

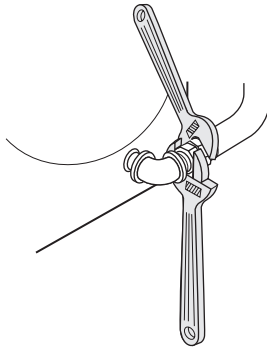


5. Conecte la secadora a la línea de suministro de gas con un conector flexible de gas.

- (A) Conector flexible de gas



6. Ajuste el conector flexible de gas con dos llaves ajustables.



7. Abra el suministro de gas moviendo la válvula de cierre hacia la posición abierta. La válvula está abierta cuando la manija está paralela al tubo de gas.
8. Revise todas las conexiones para ver si tienen fugas, aplicando una solución de detección de fugas que no sea corrosiva. Se observarán burbujas si hay fugas. Si se encuentran fugas, cierre la válvula de cierre, vuelva a ajustar la unión, abra la válvula de cierre y revise nuevamente.

⚠ ADVERTENCIA

Nunca use una llama abierta para revisar si hay fugas de gas.

PASO 3 – CONECTE A UN SISTEMA DE ESCAPE

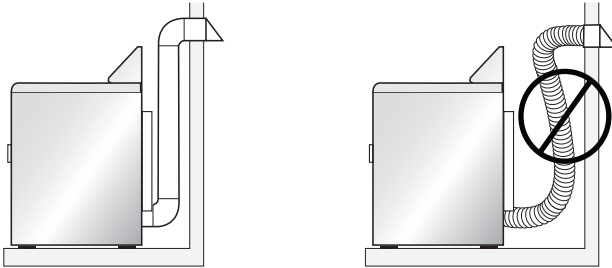
⚠ ADVERTENCIA

Para reducir el riesgo de incendio, esta secadora debe ventilarse hacia el exterior.

1. Cerciórese de que el sistema de escape esté libre y despejado de acumulación de pelusa antes de conectar la secadora.
2. Use un ducto de metal rígido o flexible de 4" (102 mm) para conectar la salida de escape de la secadora al sistema de escape.
3. Utilice abrazaderas para sellar y asegurar todas las juntas. No debe conectarse ni asegurarse el ducto de escape con tornillos ni con ningún otro dispositivo de sujeción que se extienda hacia el interior de dicho ducto.

NOTAS:

- No utilice un ducto de escape de plástico ni de metal de hoja flexible. Es posible que se acumule exceso de pelusa dentro de la tubería, restringiendo el flujo de aire y creando un riesgo de incendio. La restricción en el flujo de aire aumentará el tiempo de secado.
- La secadora no debe tener salida de ventilación hacia una chimenea, pared, techo, desván, espacio angosto o espacio oculto de un edificio.
- La secadora deberá tener salida de ventilación al exterior. Si la secadora no tiene salida de ventilación al exterior, expulsará un poco de pelusa fina dentro del área del lavadero. Una acumulación de pelusa en cualquier área del hogar puede ocasionar un peligro para la salud y un riesgo de incendio.

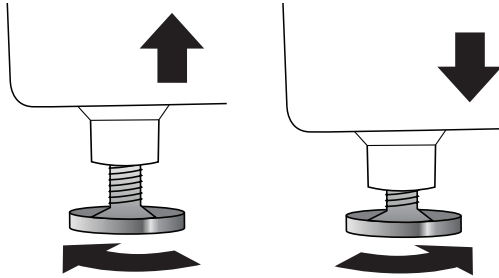


PASO 4 – NIVELE LA SECADORA

1. Coloque la secadora en su ubicación final. Tenga cuidado de no aplastar ni retorcer el ducto de escape. Cerciérese de que las cuatro patas estén en contacto firme con el piso y que la secadora descance firmemente en su sitio.

NOTA: Para una secadora a gas, cerciérese de que la línea de gas flexible no esté retorcida.

2. Con un nivel de carpintero, cerciérese de que la secadora esté nivelada de lado y de frente hacia atrás.
3. Si la secadora no está nivelada, regule las patas niveladoras. Gírelas hacia la derecha para extender (levantar la secadora) o hacia la izquierda para retraer (bajar la secadora).



PASO 5 – COMPLETE LA INSTALACIÓN

1. Enchufe el cable eléctrico de la secadora en el contacto apropiado.
2. Vuelva a conectar la energía al contacto. Asegúrese de que el cortacircuitos esté activado.
3. Deshágase de todos los materiales de empaque o recícelos.
4. Cerciérese de que el área de la secadora esté limpia y sin materiales combustibles, gasolina y otros vapores inflamables. También asegúrese de que ningún objeto (por ejemplo, cajas, ropa, etc.) obstruya el flujo de aire para la combustión y la ventilación a través del panel con rejillas ubicado en la parte posterior de la secadora.
5. Pruebe el funcionamiento de la secadora seleccionando un ciclo de Timed Dry (Secado programado) con calor. Consulte la sección "Instrucciones para el funcionamiento".

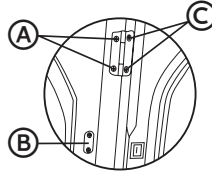
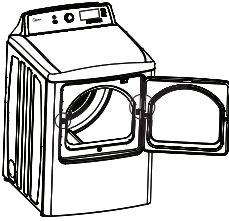
NOTA: En las secadoras a gas, antes de que se encienda el quemador, será necesario extraer el aire de la línea de gas. Si el quemador no se enciende en menos de 45 segundos cuando se enciende la secadora por primera vez, el interruptor de seguridad apagará el quemador. Si esto sucede, apague (girando hacia "OFF") la secadora y espere 5 minutos antes de hacer otro intento de encender el quemador.

STEP 6 - CAMBIO DEL SENTIDO DE APERTURA DE LA PUERTA (OPCIONAL)

La puerta de la secadora está diseñada para abrirse de izquierda a derecha. Siga las siguientes instrucciones para invertir el sentido de apertura de la puerta para que se abra de derecha a izquierda.

NOTA: Se usan distintos tipos de tornillos para la puerta y el armario. Los tornillos de cabeza plana se usan para las bisagras de la puerta.

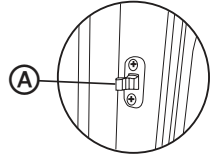
1. Desenchufe el cable eléctrico.
2. Quite los cuatro tornillos que sujetan cada bisagra a la puerta y el armario.



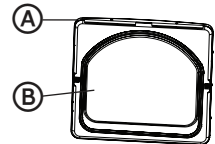
- A** Tornillos de gabinete
- B** Tapa de bloqueo
- C** Tornillos de la puerta

NOTA: Asegúrese de sujetar la puerta de la secadora cuando quite los tornillos.

3. Coloque la puerta de la secadora a un lado. Quite los tornillos para la tapa de bloqueo que se encuentra en el lado derecho del armario de la secadora y quite los tornillos para el bloqueo que se encuentra en el lado izquierdo del armario de la secadora.
4. Desplace el bloqueo hacia el lado derecho del armario y desplace la tapa de bloqueo hacia el lado izquierdo del armario y luego vuelva a colocarlos usando los tornillos que se quitaron anteriormente.
5. Quite los tornillos que sujetan la placa interna de la puerta a la placa externa de la puerta.
6. Quite la placa interna de la puerta de la placa externa de la puerta.
7. Gire la placa interna de la puerta a 180°, y luego vuelva a colocar la placa interna de la puerta dentro de la placa externa de la puerta.
8. Con los tornillos que se quitaron en el Paso 5, sujete la placa interna de la puerta a la placa externa de la puerta.
9. Con los tornillos que se quitaron en el Paso 2, fije la puerta de la secadora al armario de la secadora.
10. Si tiene la manija en el lado derecho, sujete la puerta de la secadora a las bisagras.



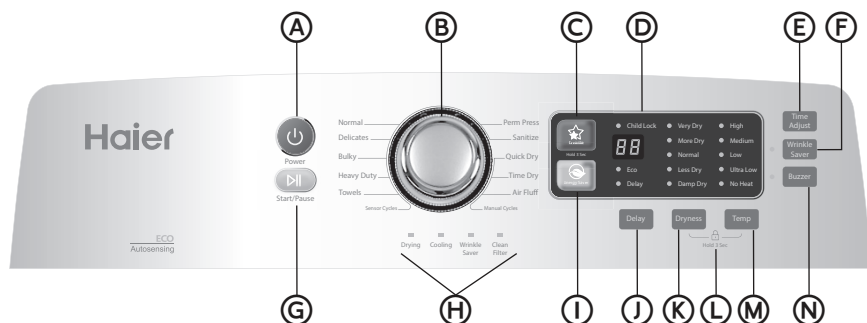
- A** Bloqueo



- A** Placa externa de la puerta
- B** Placa interna de la puerta

PANEL DE CONTROL Y CARACTERÍSTICAS

PANEL DE CONTROL



A BOTÓN POWER (ENCENDIDO)

Presione una vez para encender la secadora. Presione nuevamente para apagarla. Si no se presiona ningún botón por más de 10 minutos, la unidad se APAGARÁ automáticamente.

B SELECTOR DE CICLOS

Seleccione el ciclo deseado para el tipo de carga. El ciclo seleccionado determina el control de calor para el ciclo. Los ciclos Normal, Delicates (Ropa delicada), Bulky (Artículos voluminosos), Heavy duty (Intenso), Towels (Toallas), Casual (Ropa informal) y Sanitize (Higienizar) son ciclos de Secado por sensor. Los ciclos Quick Dry (Secado rápido), Time Dry (Tiempo de secado) y Air fluff (Esponjar) son ciclos de Secado manual.

C FAVORITO

Mantenga presionado durante 3 segundos para que la unidad recuerde su ciclo de secado favorito. Presione una vez para cargar la configuración de su ciclo favorito.

D PANTALLA DIGITAL

La pantalla digital LED mostrará el tiempo restante del ciclo seleccionado. El LED mostrará el tiempo de retraso seleccionado al fijar el tiempo de retraso.

E BOTÓN TIME ADJUST (AJUSTE DE TIEMPO)

Este botón solo puede utilizarse en los ciclos manuales. Presione este botón para cambiar el tiempo de secado que desea. Presione de 1 a 9 para obtener el tiempo deseado.

F WRINKLE SAVER (ANTIARRUGAS)

Presione una vez para agregar el paso Wrinkle Prevent (Protección antiarrugas) al programa en curso. Presione nuevamente para cancelar la selección.

G BOTÓN START/PAUSE (INICIO/PAUSA)

Presione una vez para iniciar el programa. Presione nuevamente para hacer una pausa en el programa. No puede cambiar cualquier ajuste, pero puede agregar una prenda. Presione nuevamente una vez para reanudar el programa.

H LUCES DE ESTADO DE LOS CICLOS

La luz relativa se encenderá cuando la secadora se encuentre en el programa de secado, del mismo modo que el LED de enfriamiento se encenderá cuando la secadora se encuentra en el proceso de enfriamiento. Cuando el programa haya terminado por completo, la luz Clean Filter (Limpiar filtro) destellará para recordarle que debe limpiar el filtro.

I ENERGY SAVER (AHORRO DE ENERGÍA)

Presione una vez para seleccionar esta función de modo que pueda ahorrar dinero con desempeños similares de secado.

J BOTÓN DELAY (RETRASO)

Retrase el inicio de cualquier ciclo en hasta 24 horas en incrementos de una hora. Las horas que se muestran indican el tiempo en que se iniciará el secado.

K BOTÓN DE DRYNESS (NIVEL DE SEQUEDAD)

Presione el botón para seleccionar el nivel de sequedad. Un nivel de sequedad diferente resultará en un tiempo de secado diferente. Se debe seleccionar un nivel de sequedad menor para prendas que deben plancharse de forma manual.

L BLOQUEO PARA NIÑOS

Presione al mismo tiempo los botones Dryness (Sequedad) y Temp (Temperatura) para activar la función Child lock (Bloqueo para niños). Presione nuevamente durante otros 3 segundos para desactivar esta función. Ninguna selección funcionará, excepto "Power" (Encendido).

M BOTÓN TEMP (TEMPERATURA)

Presione el botón para seleccionar la temperatura de secado.

High (Alta) - Para prendas resistentes de algodón o que tengan la etiqueta de secado a máquina.

Medium (Media) - Para prendas de planchado permanente, telas sintéticas, telas de algodón livianas o prendas que tengan la etiqueta de secado medio a máquina.

Low (Baja) - Para calor más bajo que mediano para secar telas sintéticas o tejidos de punto lavables.

Ultra Low (Ultrabajo) - Para prendas sensibles al calor que tengan la etiqueta de secado bajo a máquina o secado tibio a máquina.

Sin calor - Brinda solo el ciclo de aire sin calor.

N BOTÓN BUZZER (TIMBRE)

Presione una vez para detener el sonido del timbre. Presione nuevamente para activar el sonido. Su selección se mantendrá hasta que presione nuevamente.

GUÍA DE CICLOS

NOTA: Para proteger sus prendas, no todas las opciones y los ajustes están disponibles con todos los ciclos. Las cajas sombreadas indican los ajustes por defecto para cada ciclo.

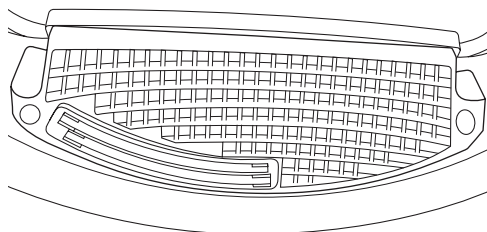
CICLO	TIPO DE TELA	DURACIÓN EST.	TEMPERATURA DE SECADO	NIVEL DE SECADO	OPTIONS (Opciones)
Sanitize (Higienizar)	Toallas, ropa de cama, ropa para niños	60	High (Alta)	Muy seco	Delay (Retraso), Wrinkle Saver (Antiarrugas), Favorite (Favorito)
Heavy Duty (Intenso)	Artículos pesados como toallas y pantalones de mezclilla	55 (Gas) 60 (Eléctrica)	High (Alta)	Más seco	Eco (Écho), Delay (Retraso), Wrinkle Saver (Antiarrugas), Favorite (Favorito)
			Medium (Media)	Muy seco	
			Low (Baja)	Normal	
			Ultra Low (Ultrabaja)	Menos seco	
Normal	Telas de algodón, lino y prendas mezcladas	57 (Gas) 63 (Eléctrica)	High (Alta)	Más seco	Eco (Écho), Delay (Retraso), Wrinkle Saver (Antiarrugas), Favorite (Favorito)
			Medium (Media)	Muy seco	
			Low (Baja)	Normal	
			Ultra Low (Ultrabaja)	Menos seco	
Bulky (Artículos voluminosos)	Blankets, sheets, comforters	55 (Gas) 60 (Eléctrica)	Medium (Media)	Más seco	Eco (Écho), Delay (Retraso), Wrinkle Saver (Antiarrugas), Favorite (Favorito)
			High (Alta)	Muy seco	
			Low (Baja)	Normal	
			Ultra Low (Ultrabaja)	Menos seco	
Towels (Toallas)	Heavyweight items such as towels and jeans	58 (Gas) 64 (Electric)	High (Alta)	Más seco	Eco (Écho), Delay (Retraso), Wrinkle Saver (Antiarrugas), Favorite (Favorito)
			Medium (Media)	Muy seco	
			Low (Baja)	Normal	
			Ultra Low (Ultrabaja)	Menos seco	
Perm Press (Planchado permanente)	Mezclas de algodón y poliéster, camisas y pantalones antiarrugas	27	Medium (Media)	Normal	Eco (Écho), Delay (Retraso), Wrinkle Saver (Antiarrugas), Favorite (Favorito)
			Low (Baja)	Muy seco,	
			Ultra Low (Ultrabaja)	Más seco	
			No Heat (Sin calor)	Menos seco	
Delicate (Ropa delicada)	Lencería, blusas y fibras sintéticas	32	Low (Baja)	Menos seco	Eco (Écho), Delay (Retraso), Wrinkle Saver (Antiarrugas), Favorite (Favorito)
			Ultra Low (Ultrabaja)	Muy seco	
			No Heat (Sin calor)	Más seco	
				Normal	
				Semi seco	

CICLO	TIPO DE TELA	DURACIÓN EST.	TEMPERATURA DE SECADO	NIVEL DE SECADO	OPTIONS (Opciones)
Timed Dry (Secado programado)	Telas de algodón, lino y prendas mezcladas	40	High (Alta)	N/A	Delay (Retraso), Wrinkle Saver (Antiarrugas), Favorite (Favorito), Time Adjust (Ajuste de tiempo)
			Medium (Media) Low (Baja) Ultra Low (Ultrabaja) No Heat (Sin calor)		
Quick Dry (Secado rápido)	Cargas pequeñas y ropa deportiva	30	High (Alta)	N/A	Delay (Retraso), Wrinkle Saver (Antiarrugas), Favorite (Favorito), Time Adjust (Ajuste de tiempo)
			Medium (Media) Low (Baja) Ultra Low (Ultrabaja) No Heat (Sin calor)		
Air fluff (Esponjar)	Goma, plástico y telas sensibles al calor	20	No Heat (Sin calor)	N/A	Delay (Retraso), Wrinkle Saver (Antiarrugas), Favorite (Favorito), Time Adjust (Ajuste de tiempo)

CARACTERÍSTICAS

SENSOR DE SEQUEDAD DE HUMEDAD

- El sensor de humedad permite a la secadora detectar el contenido real de humedad de las prendas en la carga. Los ciclos automáticos utilizan esta información junto con las lecturas de temperatura de aire para completar el ciclo de secado en el momento apropiado. Esta tecnología inteligente ahorra energía, reduce la estática y protege a las prendas de daños ocasionados por el secado en exceso.
- El sensor además proporciona resultados de secado uniformes y precisos y le permite realizar un ajuste fino del rendimiento de la secadora con el botón Dry Level (Nivel de secado).



LUZ INTERNA DEL TAMBOR (EN ALGUNOS MODELOS)

- La luz interna del tambor le permite ver dentro de la secadora y encontrar todos los artículos de lavado. El interruptor del gabinete enciende automáticamente la luz cuando se abre la puerta y se apaga cuando ésta se cierra.

INSTRUCCIONES PARA EL FUNCIONAMIENTO

! ADVERTENCIA

A fin de reducir el riesgo de incendio, choque eléctrico o daños personales, lea las INSTRUCCIONES IMPORTANTES DE SEGURIDAD antes de operar esta secadora.

PASO 1 – PREPARE Y SEPRE LAS PRENDAS

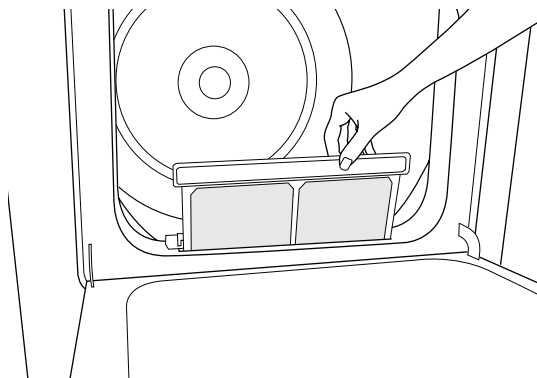
- Revise las etiquetas de las prendas para ver las instrucciones de secado.
- Siempre que sea posible, dé vuelta los bolsillos para obtener un secado uniforme.
- Ate los cordones y las fajas de modo que no se enreden.
- Cierre los zípers, broches de presión y corchetes para evitar que se enganchen.
- Cerciórese de que los botones y los adornos en las prendas sean resistentes a temperaturas elevadas y que no dañen la superficie del tambor.
- Para evitar que las manchas y la suciedad queden permanentemente en las prendas, cerciórese de que se hayan quitado durante el ciclo de lavado. De no ser así, lávelas de nuevo.
- Para evitar que las prendas se enreden y se puedan sacar con facilidad, los artículos pequeños deberán ponerse juntos en una bolsa de malla antes de ponerse a lavar.
- Separe las telas que atraen pelusa de las telas que sueltan pelusa. Las prendas propensas a formar pelusa deberán darse vuelta de adentro hacia fuera antes de colocarse en la secadora.

PASO 2 – LIMPIE EL FILTRO DE PELUSA

1. Limpie el filtro de pelusa antes de cada uso. El filtro puede quitarse jalando la manija del filtro de pelusa, que está ubicada dentro de la puerta de la secadora.
2. Enrolle con los dedos la pelusa acumulada para quitarla del filtro de pelusa. No enjuague ni lave el filtro para quitar la pelusa.
3. Deslice el filtro de pelusa de nuevo a su lugar.

NOTAS:

- No use la secadora sin el filtro de pelusa en su lugar. Sin el filtro de pelusa, las prendas podrían entrar en el sistema de escape y provocar daños en la secadora.
- La pelusa acumulada en el filtro hará que se restrinja el flujo de aire y ocasionará tiempos de secado más prolongados.



PASO 3 – CARGUE LA SECADORA

1. Cargue las prendas húmedas holgadamente en el tambor de la secadora.
2. Cierre la puerta de la secadora.

NOTAS:

- No ponga las prendas apretadas en la secadora.
- Una carga adecuada deberá tener 1/3 a 1/2 del volumen del tambor. Para obtener un secado uniforme y sin que se formen arrugas, deje espacio para que las prendas giren libremente.
- Cuando seque artículos grandes y voluminosos, deberá cargar solamente 2 a 3 piezas cada vez, junto con unas pocas prendas de tamaño pequeño y mediano.
- Para la ropa delicada o las cargas pequeñas, si agrega un par de toallas ayudará a asegurar que las prendas giren. Con esto se obtendrá un secado uniforme y se reducirán las arrugas.

PASO 4 – PONGA LA SECADORA EN MARCHA

1. Encienda la secadora presionando el BOTÓN POWER (Encendido).
2. Seleccione un ciclo de secado girando la PERILLA CYCLE SELECTION (Selección de ciclos).
3. Modifique los ajustes y las opciones por defecto, si lo desea.
4. Presione el BOTÓN START/PAUSE (Inicio/Pausa) que sobresale en la perilla para poner la secadora en marcha.

NOTA:

- Si se abre la puerta, se hará una pausa en el ciclo que esté en marcha. Cierre la puerta y presione el BOTÓN START/PAUSE (Inicio/Pausa) para reanudar.

ADVERTENCIA

Siempre desenchufe la secadora para evitar un choque eléctrico antes de la limpieza.

El ignorar esta advertencia puede ocasionar la muerte o lesiones.

Antes de usar productos de limpieza, siempre lea y siga las instrucciones del fabricante y las advertencias, para evitar lesiones personales o al producto.

LIMPIEZA Y MANTENIMIENTO

- Utilice solamente un paño húmedo o jabonoso para limpiar el panel de control.
- Si derrama suavizante, blanqueador o detergente líquido o en polvo sobre el gabinete, límpielo inmediatamente con un paño húmedo para evitar daños en el acabado.
- No use productos de limpieza abrasivos, productos químicos irritantes, amoníaco, blanqueador con cloro, detergente concentrado o solventes para limpiar la secadora. Estos productos químicos pueden disolver, dañar o decolorar la secadora.
- No use ningún tipo de limpiador con rociador cuando limpie el interior de la secadora. Pueden producirse gases peligrosos o choque eléctrico. Si se mancha la secadora, limpie el tambor con un paño húmedo. Quite los residuos que hayan quedado antes de secar la próxima carga.

LAVADO DEL FILTRO DE PELUSA

- Los residuos de detergente y suavizante de telas pueden acumularse en el filtro de pelusa. Esta acumulación puede dar lugar a períodos más prolongados de secado, o hacer que la secadora se detenga antes de que la ropa esté completamente seca.
- Lave el filtro de pelusa cada 6 meses o antes si se obstruye debido a la acumulación de residuos.

Pasos para lavar el filtro de pelusa:

1. Quite la acumulación normal de pelusa con los dedos.
2. Moje ambos lados del filtro de pelusa con agua caliente.
3. Aplique detergente líquido con agua y refriegue con un cepillo de plástico.
4. Enjuague a fondo el filtro de pelusa con agua caliente.
5. Seque por completo el filtro de pelusa antes de volver a instalarlo y de usar la secadora.

ELIMINACIÓN DE PELUSA ACUMULADA

En el interior del gabinete de la secadora

- Según el uso de la secadora, se debe quitar la pelusa cada 2 años o con más frecuencia. La limpieza deberá efectuarla una persona calificada.

El sistema de escape

- El sistema de escape deberá ser inspeccionado y limpiado por lo menos cada 12 meses con el uso normal. Cuanto más se use la secadora, con más frecuencia deberá revisar el sistema de escape y la capota de ventilación exterior para un funcionamiento adecuado.

PRECAUCIONES AL IRSE DE VACACIONES

- Desenchufe la secadora del contacto eléctrico o desconecte el suministro de energía.
- Lave el filtro de pelusa. Consulte la sección "Lavado del filtro de pelusa".
- (Solamente para las secadoras a gas): Cierre la válvula de cierre en la línea de suministro de gas.

PREPARACIÓN PARA LA MUDANZA O EL ALMACENAJE

Aparte de seguir los pasos en las "Precauciones al irse de vacaciones", complete los pasos adicionales indicados a continuación.

- Desconecte la secadora del sistema de escape.
- Gire las patas niveladoras para que queden replegadas completamente en el interior del gabinete de la secadora.
- Use cinta adhesiva protectora para asegurar la puerta de la secadora.
- Mueva la secadora y guárdela solamente en la posición vertical.

NOTA: Para las secadoras a gas, cierre el suministro de gas a la secadora. Desconecte la secadora de la línea de suministro de gas y quite los accesorios que están sujetos al tubo de entrada de gas de la secadora. Tape la línea de suministro de gas.

SOLUCIÓN DE PROBLEMAS

CÓDIGOS DE ERROR

Cuando la secadora detecta un error, se detienen todas las operaciones de la máquina, se emite un sonido 4 veces seguidas y se muestra un código de error en la pantalla Estimated Time Remaining (Tiempo estimado restante).

CÓDIGO DE ERROR	DESCRIPCIÓN	CAUSA POSIBLE Y SOLUCIÓN
C9 (Cortocircuito)	Los PCBs fracasaron.	Llame para solicitar servicio técnico.
E4 (Problema con el elemento calefactor)	El sensor de humedad no.	La unidad completará el ciclo de operación actual. La unidad puede seguir funcionando bajo los ciclos de tiempo. Llame para solicitar servicio técnico.
E5	El sensor de temperatura falló.	Llame al centro de servicio para obtener ayuda.

SONIDOS NORMALES DE FUNCIONAMIENTO

- Los sonidos mencionados a continuación son los sonidos normales producidos durante el funcionamiento de la secadora.
- Sonido de rotación: Esto es normal, ya que la ropa pesada y húmeda está dando vueltas continuamente en la secadora.
- Ruido de aire que corre: Esto sucede cuando el tambor de la secadora gira y el aire fluye rápidamente a través del tambor de la secadora.

LA SECADORA NO FUNCIONA

- Verifique que la secadora esté enchufada. Es posible que se haya aflojado el enchufe.
- Verifique que el receptáculo eléctrico de pared tenga el voltaje correcto. Las secadoras eléctricas requieren un suministro eléctrico de 240 voltios.
- Verifique si el cortacircuitos necesita volver a fijarse o si debe reemplazarse el fusible.
- Verifique que la puerta de la secadora esté firmemente cerrada.
- Pulse el botón Inicio / Pausa de nuevo si se abre la puerta durante el ciclo.

LAS PRENDAS NO SE SECAN

- Es posible que la secadora esté sobrecargada. Las prendas húmedas no deberán ocupar más de la mitad del volumen del tambor.
- Revise la tubería de escape y la capota de ventilación. El sistema de escape deberá estar completamente libre de obstrucciones.

- El sistema de escape deberá mantenerse y limpiarse regularmente.
- Tal vez deba separarse la carga de secado. Las prendas pesadas deberán separarse de las prendas ligeras.
- Tal vez deban cambiarse de posición los artículos voluminosos.
- Revise el filtro de pelusa. El filtro de pelusa debe ser limpiado antes de cada carga.
- Verifique que no se haya fijado la secadora en el ajuste de temperatura Air Fluff (Esponjar) (sin calor).
- Para las secadoras a gas, verifique que esté abierta la línea de suministro de gas.

LA SECADORA HACE RUIDO

Ruidos de traqueteo o metálicos:

- Es posible que hayan objetos extraños en el tambor de la secadora. Detenga la secadora y revise si hay objetos extraños, tales como monedas sueltas, llaves y objetos pesados.

Ruidos de vibración:

- Es posible que la carga esté despereja. Detenga la secadora y vuelva a arreglar la carga.
- Es posible que la secadora no esté nivelada. Verifique que las cuatro patas niveladoras estén firmemente en el piso y que la secadora esté nivelada.
- Consulte la sección "Sonidos normales de funcionamiento".

Estática:

- Es causada por el exceso de secado. Regule el tiempo de secado a una duración más corta y use suavizante de telas o una hoja de suavizante para secadora.

Las cargas están arrugadas:

- Es posible que se haya dejado la carga en la secadora por un tiempo demasiado prolongado al final del ciclo. Asegúrese de quitar la ropa a tiempo después de que se termine el secado.
- Es posible que la secadora esté sobrecargada. El tambor de la secadora deberá estar como máximo lleno hasta la mitad.

Olores:

- Las prendas que se dejen húmedas en la lavadora o en la secadora pueden hacer que se forme olor. Este olor no será eliminado con el secado. Vuelva a lavar las prendas antes de secarlas.
- Es posible que el elemento calefactor eléctrico emita un olor cuando se use la secadora por primera vez. El olor desaparecerá después del primer ciclo.

SI NECESITA MÁS AYUDA, VISITE HAIER.COM O COMUNÍQUESE CON LA LÍNEA DE AYUDA AL CONSUMIDOR LLAMANDO AL 1-877-377-3639.

GARANTÍA LIMITADA

SERVICIO EN EL HOGAR

GARANTÍA COMPLETA POR UN AÑO

Durante 12 meses a partir de la fecha de compra original en la tienda, Haier reparará o reemplazará cualquier pieza del aparato sin costo, incluyendo la mano de obra, si la misma falla debido a defectos en los materiales o en la mano de obra.

Haier puede reemplazar o reparar, a su sola discreción, cualquier pieza, subsistema, incluso el producto entero.

El producto debe ser accesible, sin inconvenientes, e instalarse de forma adecuada para recibir el servicio técnico de reparación por parte de la garantía.

GARANTÍA LIMITADA

Después de un año a partir de la fecha de compra original en la tienda, Haier proveerá una pieza sin costo, como se indica a continuación, para reemplazar la pieza mencionada como resultado de defectos en los materiales o en la mano de obra. Haier se hará responsable solamente por el costo de la pieza. Cualquier otro costo tales como la mano de obra, los cargos por viaje, etc., serán responsabilidad del propietario.

Del segundo al quinto año

Haier proveerá el tambor de defectos en los materiales o la mano de obra.

NOTA: Esta garantía comienza en la fecha de compra de este producto, y el recibo original deberá presentarse al representante autorizado de servicio antes de hacerse las reparaciones bajo la garantía.

Excepciones: Garantía bajo uso comercial

90 días en la mano de obra a partir de la fecha de compra original

90 días en las piezas a partir de la fecha de compra original

No es aplicable ninguna otra garantía.

PARA OBTENER SERVICIO BAJO LA GARANTÍA

Todo servicio deberá ser realizado por un centro de servicio autorizado por Haier. Para obtener el nombre y el número de teléfono del centro de servicio autorizado más cercano, llame al 1-877-337-3639.

Antes de llamar, tenga a mano la siguiente información:

Número de modelo y de serie del aparato. El nombre y la dirección del distribuidor en donde compró la unidad y la fecha de compra.

Una descripción clara del problema.

Un comprobante de compra (recibo de compra).

Esta garantía cubre servicios para electrodomésticos dentro de los Estados Unidos continental y Canadá y donde esté disponible en Alaska, Hawaii y Puerto Rico.

Lo que no está cubierto bajo esta garantía:

Reemplazo o reparación de fusibles domésticos,

cortacircuitos, cableado o plomería.

Un producto cuyo número de serie original haya sido removido o alterado.

Cualquier cargo por servicio que no haya sido identificado específicamente como servicio normal, como puede ser el área o las horas de servicio.

Daños a la ropa.

Daños ocurridos durante el transporte.

Daños ocasionados por la instalación o el mantenimiento inadecuados.

Daños por el uso incorrecto, abuso, accidente, incendio, inundación o fenómenos de la naturaleza.

Daños debidos al servicio efectuado por un distribuidor o centro de servicio que sea diferente del autorizado por Haier.

Daños ocasionados por la corriente, el voltaje o el suministro eléctrico incorrectos.

Daños que resulten de cualquier modificación hecha en el producto, alteración o ajustes no autorizados por Haier.

Ajuste de los controles manejados por el cliente según han sido identificados en el manual del propietario.

Mangueras, perillas, bandejas de pelusa y todos los otros aditamentos, accesorios y piezas desechables.

Cargos por mano de obra, transporte para el servicio y envío para la remoción y el reemplazo de las piezas defectuosas que se efectúen después del período inicial de 12 meses.

Daños ocasionados por un uso diferente al doméstico normal.

Cualquier gasto de transporte y de envío.

ESTA GARANTÍA LIMITADA REEMPLAZA TODAS LAS OTRAS GARANTÍAS, EXPRESAS O QUE INCLUYAN LAS GARANTÍAS DE COMERCIABILIDAD O DE CAPACIDAD PARA UN PROPÓSITO EN PARTICULAR

El recurso provisto en esta garantía es exclusivo y está otorgado en lugar de cualquier otro recurso.

Esta garantía no cubre daños incidentales o consecuentes, de modo que las limitaciones indicadas anteriormente pueden no aplicarse en su caso. Algunos estados no permiten las limitaciones acerca de cuánto tiempo dura una garantía implícita, de modo que las limitaciones arriba indicadas quizás no le correspondan.

Esta garantía le otorga derechos legales específicos, y es posible que usted tenga otros derechos, los cuales varían de un estado a otro.

Haier America
Wayne, NJ 07470

IMPORTANT

Do Not Return This Product To The Store
If you have a problem with this product, please contact the
"Haier Customer Satisfaction Center" at
1-877-337-3639.

DATED PROOF OF PURCHASE, MODEL #, AND SERIAL #
REQUIRED FOR WARRANTY SERVICE

IMPORTANT

Ne pas Réexpédier ce Produit au Magasin
Pour tout problème concernant ce produit, veuillez contacter
le service des consommateurs "Haier Customer Satisfaction Center" au
1-877-337-3639.

UNE PREUVE D'ACHAT DATEE EST REQUISE POUR BENEFICIER DE LA GARANTIE.

IMPORTANTE

No regrese este producto a la tienda
Si tiene algún problema con este producto, por favor contacte el
"Centro de Servicio al Consumidor de Haier" al
1-877-337-3639 (Válido solo en E.U.A).

NECESITA UNA PRUEBA DE DE COMPRA FECHADA, NÚMERO DE MODELO
Y DE SERIE PARA EL SERVICIO DE LA GARANTÍA

Made in China
Fabriqué en Chine
Hecho en China

Haier

HLTD600AEW, HLTD600ACW
HLTD600AGW
Issued: April 2015

Haier America
Wayne, NJ 07470

Printed in China

Part # 00XXXXXXXXX